



Straight Shaft String Trimmer

Model No. 51972—260000001 & Up

Parts Catalog

Ordering Replacement Parts

To order replacement parts, please supply: the part number, the quantity, and the description of each part.

Understanding Reference Numbers

Each identified part in an illustration has a reference number. The reference number for a part also appears in the list, along with other information about the part.

Understanding Figure Numbers

This catalog uses two special reference number formats, one to indicate parts in a service assembly and another to indicate a Figure Number.

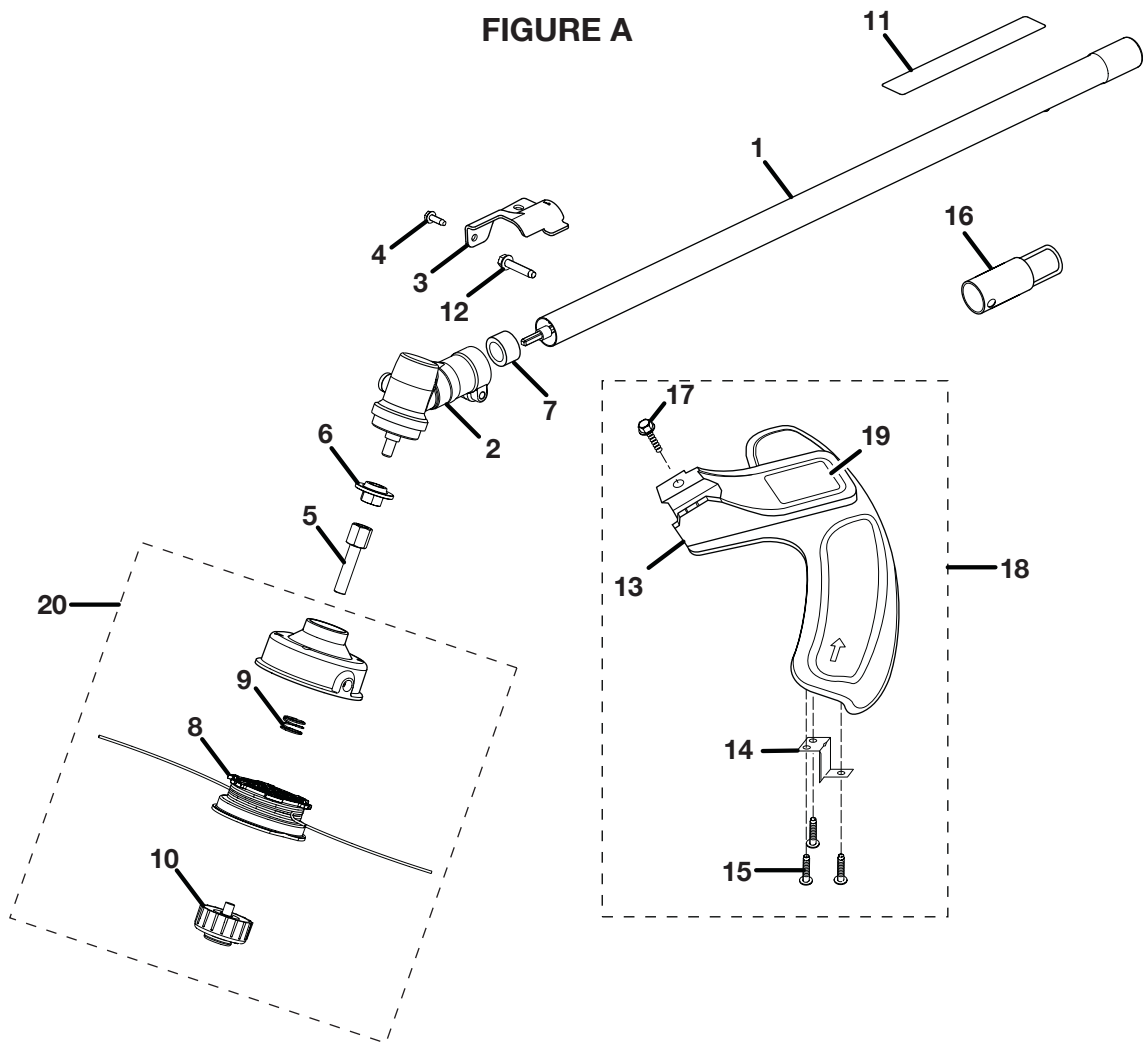
Figure Numbers are represented as a Sub-Assembly which follow the exploded views.

Sub-Assemblies can be ordered as an Assembly or you may order any part individually.

© The Toro Company - 2005
All Rights Reserved

TORO STRING TRIMMER – MODEL NUMBER 51972

FIGURE A

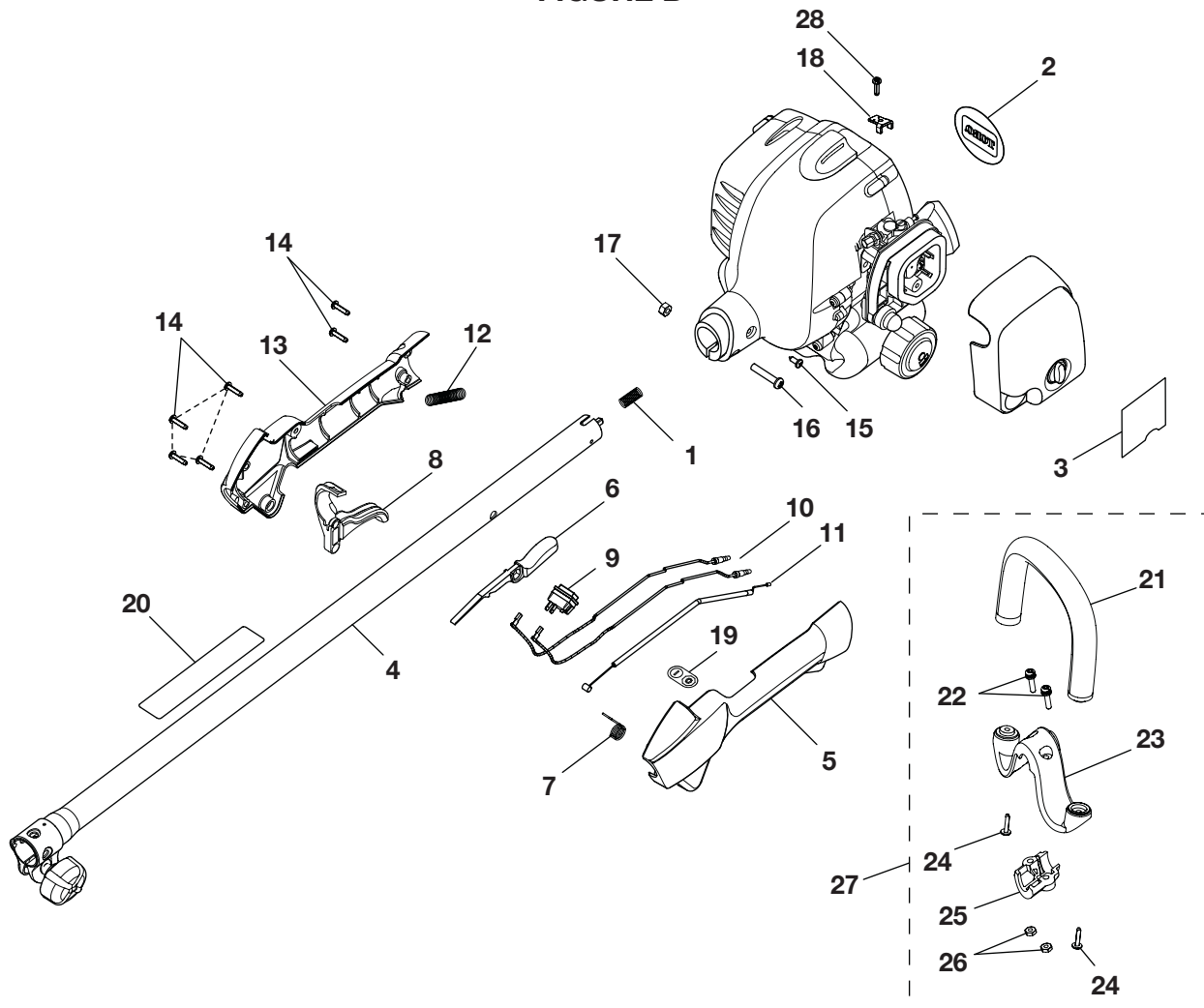


KEY PART NO. NUMBER	DESCRIPTION	QTY.
1	000998232 STRAIGHT SHAFT ASSEMBLY (INC. KEY NO. 11).....	1
2	308053004 GEAR CASE ASSEMBLY.....	1
3	638125001 GRASS DEFLECTOR CLAMP.....	1
4	660736001 SCREW (#10-24 X 5/8 in. HEX WASHER HD.).....	1
5	678019002 TRIMMER HEAD SHAFT ADAPTOR.....	1
6	678011002 FLANGED WASHER.....	1
7	518367001 SPACER.....	1
8	308044003 SPOOL WITH LINE (.095).....	1
9	678022001 COMPRESSION SPRING.....	1
10	308042003 RETAINING CAP, LEFT-HANDED THREAD.....	1
11	940230129 WARNING LABEL.....	1
12	660642001 SCREW (1/4-20 X 1-1/4 in.).....	1
13	518126001 GRASS DEFLECTOR.....	1
14	638020002 LINE CUTTING BLADE.....	1
15	660669001 SCREW.....	3
16	518019001 HANGER CAP.....	1
17	660738002 SCREW (#1/4-20 X 1-1/4 in. HEX WASHER HD.).....	1
18	308467001 GRASS DEFLECTOR ASSEMBLY (INC. KEY NOS. 13-15, 17, AND 19).....	1
19	940627020 GRASS DEFLECTOR LABEL.....	1
20	000998265 TRIMMER HEAD ASSEMBLY (INC. KEY NOS. 8, 9, AND 10) (.095).....	1

To locate a source for replacement parts, contact us toll free at 1-866-574-9242 (US) or 1-866-574-9243 (Canada).

TORO STRING TRIMMER – MODEL NUMBER 51972

FIGURE B



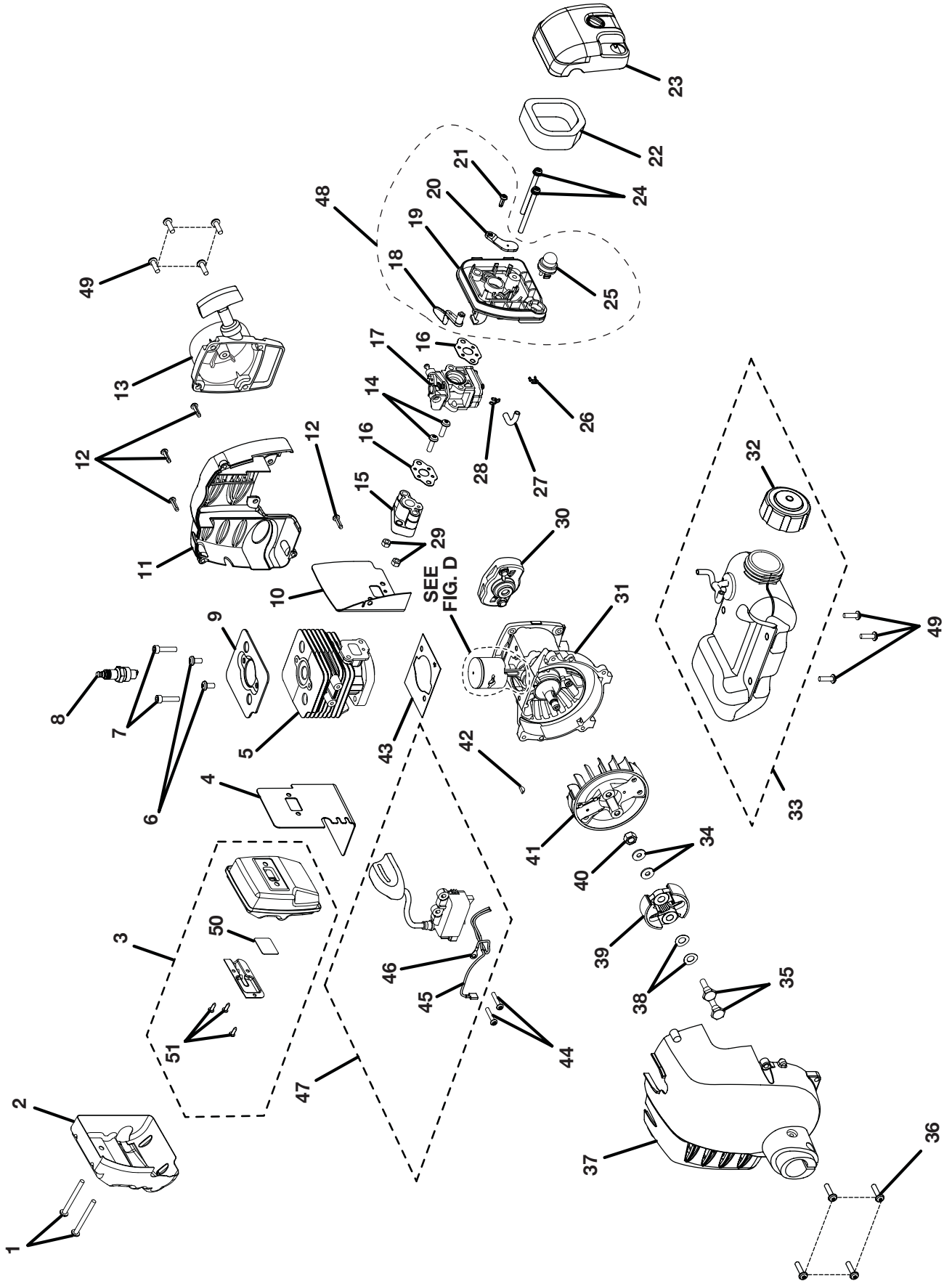
KEY PART NO. NUMBER	DESCRIPTION	QTY.
1 690140011	COMPRESSION SPRING.....	1
2 950060008	LOGO PLATE.....	1
3 940686004	LOWER START LABEL.....	1
4 000998234	UPPER SHAFT ASSEMBLY (INC. KEY NO. 20)	1
5 518122001	REAR HANDLE SUPPORT.....	1
6 518125001	LOCK-OFF BUTTON.....	1
7 690694002	TRIGGER SPRING	1
8 518124001	TRIGGER.....	1
9 760394001	SWITCH WITH DUST SHIELD ..	1
10 770670001	LEAD	2
11 308225003	CABLE, THROTTLE.....	1
12 518210004	CORRUGATED TUBE.....	1
13 518123001	REAR HANDLE COVER	1
14 660563002	SCREW (M4 X 16 mm).....	6
15 660669001	SCREW (#8-16 X 1/2 in. TRI-LOBULAR).....	1

KEY PART NO. NUMBER	DESCRIPTION	QTY.
16 T660697001	SCREW (M6 X 1-30 mm).....	1
17 678029002	HEX NUT	1
18 638133001	THROTTLE CABLE CLAMP	1
19 940627017	ON/OFF LABEL.....	1
20 940230129	WARNING LABEL	1
21 000998217	ASSIST HANDLE W/GRIP.....	1
22 660653001	SCREW (#12-24 X 1 in.).....	2
23 518038001	M CLAMP.....	1
24 660637001	SLOTTED TORX SCREW	2
25 518020001	CLAMP.....	1
26 678106001	HEX NUT (12-24).....	2
27 308056001	ASSIST HANDLE ASSEMBLY ...	1
28 660734001	SCREW (M4 X 16 mm).....	1
983000854	OPERATOR'S MANUAL	
983000854R	REPAIR SHEET	

To locate a source for replacement parts, contact us toll free at 1-866-574-9242 (US) or 1-866-574-9243 (Canada).

TORO STRING TRIMMER - MODEL NUMBER 51972

FIGURE C



TORO STRING TRIMMER – MODEL NUMBER 51972

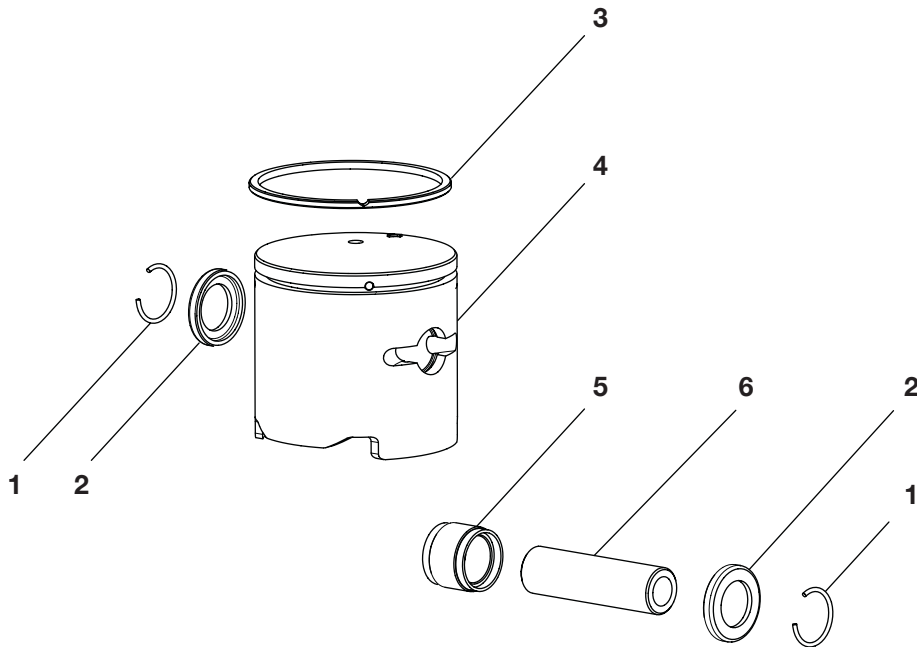
FIGURE C - PARTS LIST

KEY PART NO. NUMBER	DESCRIPTION	QTY.	KEY PART NO. NUMBER	DESCRIPTION	QTY.
1	660347001 SCREW (M5 X 50 mm TORX SLOTTED RECESSED PAN HD.) ...	2	28	690699001 HOSE CLIP	1
2	638027002 HEAT SHIELD.....	1	29	690840001 NUT (M5 x .8 mm).....	2
3	300748015 MUFFLER ASSEMBLY	1	30	308004001 PULLEY ASSEMBLY	1
4	630002006 MUFFLER GASKET.....	1	31	300749004 CRANKCASE ASSEMBLY.....	1
5	640570016 CYLINDER	1	32	300758006 FUEL CAP ASSEMBLY	1
6	660351002 SCREW (M5 X 10 in. TORX RECESSED PAN HD.)	2	33	300757002 FUEL TANK ASSEMBLY (INCLUDES KEY NO. 32)	1
7	660342001 SCREW (M5 X 22 mm SOCKET HD.).....	2	34	690695001 WASHER.....	2
8	870170001 SPARK PLUG.....	1	35	660353001 CLUTCH SCREW.....	2
9	630002021 CYLINDER PLATE.....	1	36	660344001 SCREW (M5 X 20 mm TORX SLOTTED RECESSED PAN HD.) ...	4
10	900711006 INSULATOR GASKET	1	37	300754010 FRONT HOUSING ASSEMBLY	1
11	590470001 ENGINE HOUSING, REAR.....	1	38	690696001 CURVED WASHER	2
12	660563001 SCREW (M4 X 16 mm TORX RECESSED PAN HD.).....	4	39	300756001 CLUTCH ASSEMBLY	1
13	308430001 STARTER RECOIL ASSEMBLY	1	40	690689001 ROTOR NUT	1
14	660344003 SCREW (M5 X 31 mm Torx SLOTTED RECESSED PAN HD.) ...	2	41	640574001 ROTOR.....	1
15	518329001 HEAT DAM INSULATOR	1	42	690688001 WOODRUFF KEY (10 mm X 3 mm).....	1
16	900711003 CARBURETOR GASKET.....	2	43	900709001 GASKET	1
17	308480001 CARBURETOR ASSEMBLY	1	44	660349001 SCREW (M4 X 22 mm TORX SLOTTED RECESSED PAN HD.) ...	2
18	590458001 CHOKE LEVER.....	1	45	290143001 LEAD ASSEMBLY, BLACK.....	1
19	518130001 CARBURETOR PLATE	1	46	290143002 LEAD ASSEMBLY, RED.....	1
20	590946001 CHOKE PLATE	1	47	290178004 COIL BOOT ASSEMBLY (INCLUDES KEY NOS. 45 & 46).....	1
21	660345001 SCREW (M4 X 12 mm SLOTTED RECESSED PAN HD.)	1	48	308478001 FILTER HOUSING ASSEMBLY	1
22	560873001 ELEMENT.....	1	49	660351001 SCREW (M5 X 16 MM TORX SLOTTED).....	7
23	308207004 COVER ASSEMBLY	1	50	638268001 SCREEN.....	1
24	660346001 SCREW (M5 X 60 mm, SLOTTED RECESSED PAN HD. MACHINE)...	2	51	660870001 SCREW (RECESS PAN HD)	3
25	300780002 PRIMER ASSEMBLY	1	52	000998216 SPARK ARRESTOR KIT (NOT SHOWN INC. KEY NOS. 4, 50, AND 51).....	1
26	690700001 HOSE CLIP	1			
27	560880002 FUEL LINE.....	1			

To locate a source for replacement parts,
contact us toll free at 1-866-574-9242 (US) or 1-866-574-9243 (Canada).

TORO STRING TRIMMER - MODEL NUMBER 51972

FIGURE D



KEY NO.	PART NUMBER	DESCRIPTION	QTY.
1	690691001	WRIST PIN CLIP RING	2
2	690687001	WASHER	2
3	690161002	PISTON RING.....	1
4	640920002	PISTON.....	1
5	690686002	NEEDLE BEARING (ID 8 X 8.8).....	1
6	620301001	WRIST PIN.....	1

To locate a source for replacement parts,
contact us toll free at 1-866-574-9242 (US) or 1-866-574-9243 (Canada).

For Parts Call 606-678-9623 or 606-561-4983



OWT Industries, Inc.

P.O. Box 35
Highway 8
Pickens, SC 29671
USA

Customer Service Information

If your product requires service or maintenance,
contact your nearest authorized service dealer.

To locate your nearest authorized service dealer for this product,
contact us toll free at 1-866-574-9242 (US) or 1-866-574-9243 (Canada).

983000-854R
02-03-06 (REV:02)

www.mymowerparts.com