



Brushcutter

Model No. 51990A—250000001 & Up

Parts Catalog

Ordering Replacement Parts

To order replacement parts, please supply: the part number, the quantity, and the description of each part.

Understanding Reference Numbers

Each identified part in an illustration has a reference number. The reference number for a part also appears in the list, along with other information about the part.

Understanding Figure Numbers

This catalog uses two special reference number formats, one to indicate parts in a service assembly and another to indicate a Figure Number.

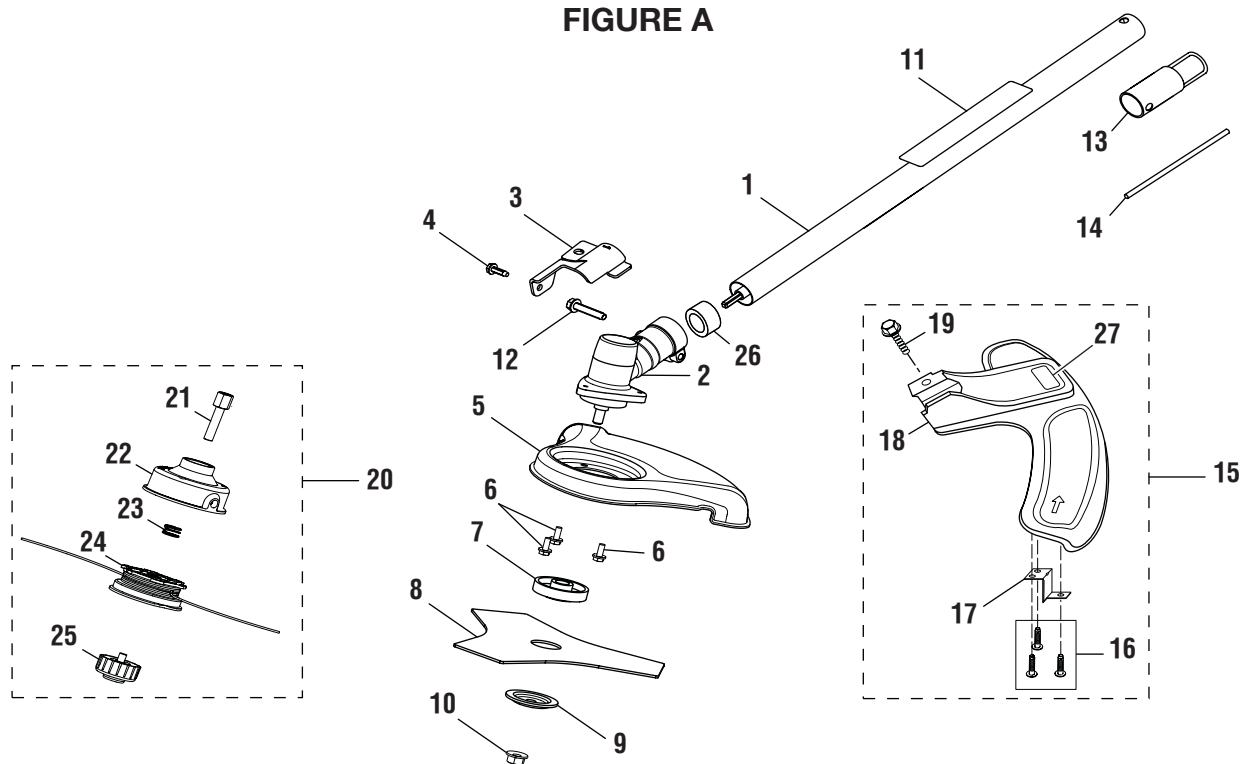
Figure Numbers are represented as a Sub-Assembly which follow the exploded views.

Sub-Assemblies can be ordered as an Assembly or you may order any part individually.

© The Toro Company - 2004
All Rights Reserved

TORO BRUSHCUTTER – MODEL NUMBER 51990A

FIGURE A

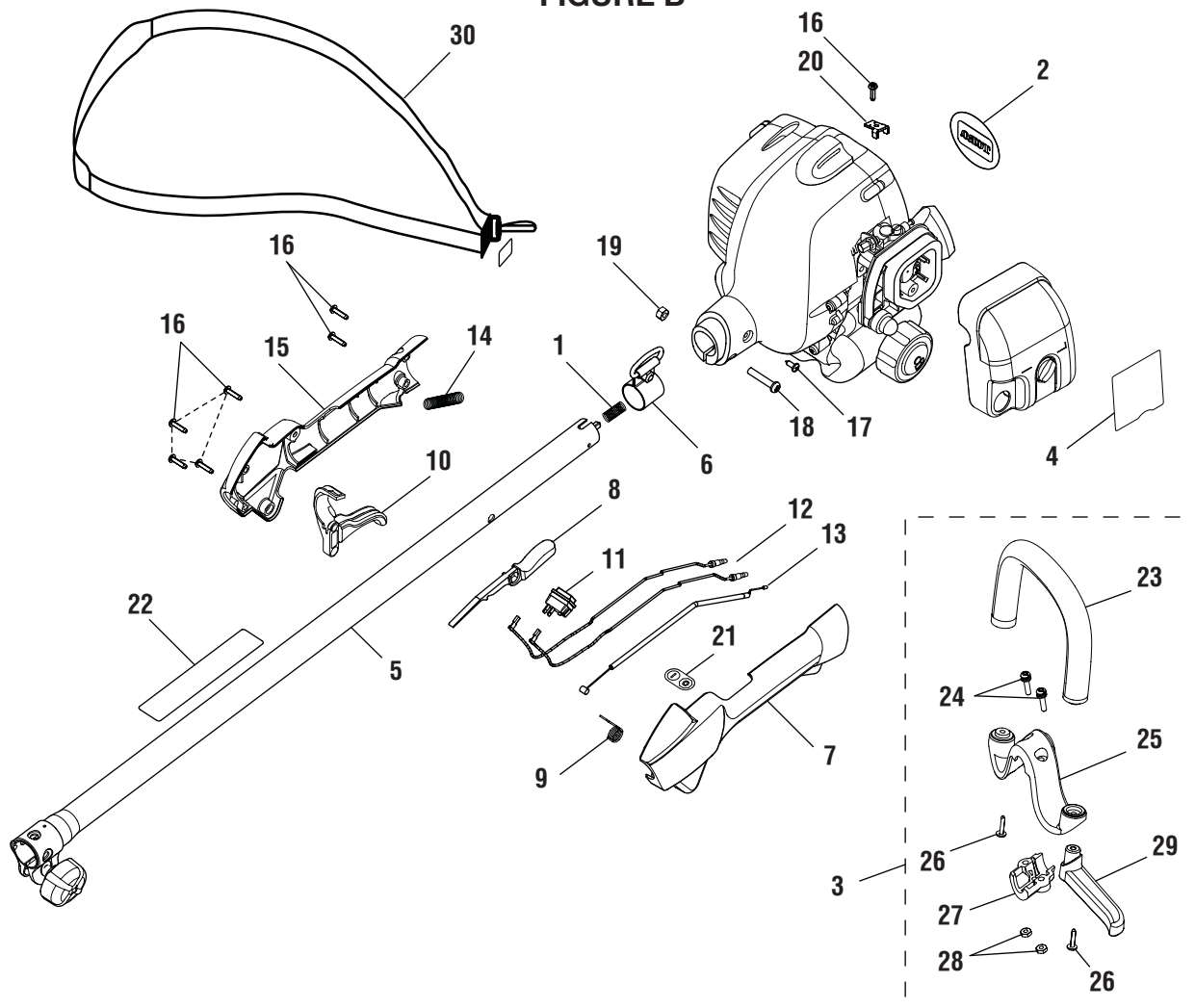


KEY NO.	PART NUMBER	DESCRIPTION	QTY.
1	985572001	STRAIGHT SHAFT ASSEMBLY	1
2	PA01364	GEAR CASE ASSEMBLY	1
3	PS04420	GRASS DEFLECTOR CLAMP	1
4	983774003	SCREW (#10-24 X 5/8 in. HEX WASHER HD.)	1
5	PS03538	BLADE GUARD.....	1
6	88049	SCREW (#10-24 X 1/2 in. SEMS SLOTTED HEX HD.)	3
7	04168A	FLANGED WASHER	1
8	06297	BLADE (TRI-ARC™).....	1
9	04409	CUPPED WASHER	1
10	04277	BLADE NUT, LEFT-HANDED THREADS.....	1
11	984102001	WARNING LABEL.....	1
12	983381007	SCREW	1
13	PS02155	HANGER CAP.....	1
14	00063	HEAD LOCKING TOOL.....	1
15	984443003	GRASS DEFLECTOR ASSEMBLY	1
16	82543	SCREW.....	3
17	PS04379	LINE CUTTING BLADE.....	1
18	984099001	GRASS DEFLECTOR.....	1
19	983379078	SCREW (#1/4-20 X 1-1/4 in. HEX WASHER HD.)	1
20	983797001	TRIMMER HEAD ASSEMBLY	1
21	PS04438	TRIMMER HEAD SHAFT ADAPTOR	1
22	A98231A	TRIMMER HEAD.....	1
23	06713	COMPRESSION SPRING	1
24	984238001	SPOOL WITH LINE (.095)	1
25	A97910A	RETAINING CAP, LEFT-HANDED THREAD	1
26	985625001	SPACER.....	1
27	983649001	GRASS DEFLECTOR LABEL.....	1

To locate a source for replacement parts,
contact us toll free at 1-866-574-9242 (US) or 1-866-574-9243 (Canada).

TORO BRUSHCUTTER - MODEL NUMBER 51990A

FIGURE B



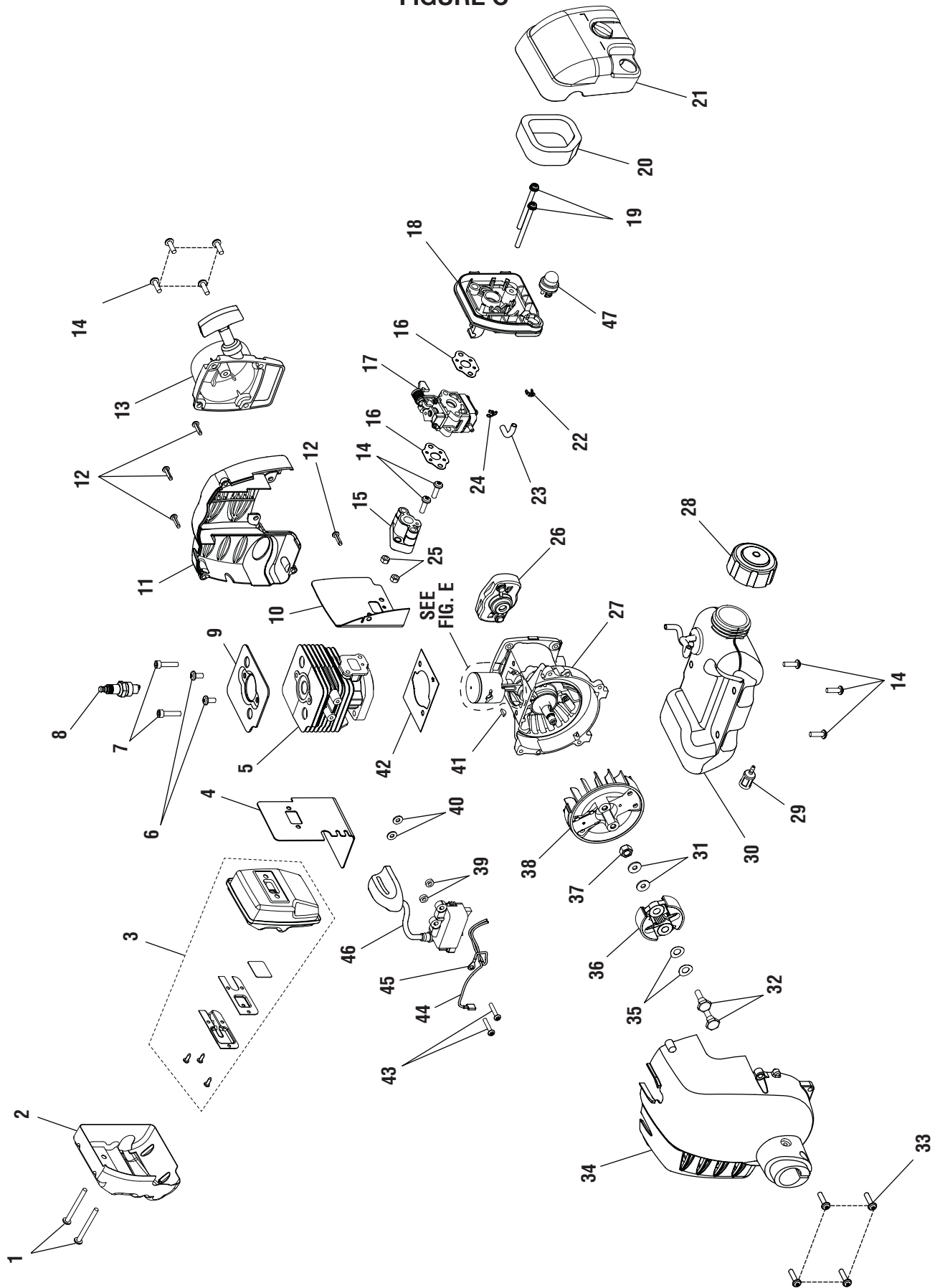
KEY PART NO. NUMBER	DESCRIPTION	QTY.
1 984106001	COMPRESSION SPRING.....	1
2 983646001	LOGO PLATE.....	1
3 983798002	ASSIST HANDLE W/BARRIER..	1
4 986178001	LOWER START LABEL.....	1
5 985571001	UPPER SHAFT ASSEMBLY	1
6 07255	HANGER BRACKET	1
7 983621001	REAR HANDLE SUPPORT.....	1
8 983623001	LOCK-OFF BUTTON.....	1
9 983624001	TRIGGER SPRING	1
10 983620001	TRIGGER.....	1
11 984236002	SWITCH WITH DUST SHIELD ..	1
12 983782001	LEAD	2
13 986224001	CABLE, THROTTLE.....	1
14 983632003	CORRUGATED TUBE.....	1
15 983622001	REAR HANDLE COVER	1
16 6656301	SCREW (M4 X 16 mm).....	7

KEY PART NO. NUMBER	DESCRIPTION	QTY.
17 82541	SCREW (#10-14 X 1/2 in. TRI-LOBULAR).....	1
18 983799023	SCREW (M6 X 1-30 mm).....	1
19 983619015	HEX NUT	1
20 985255001	THROTTLE CABLE CLAMP	1
21 984240001	ON/OFF LABEL	1
22 984102001	WARNING LABEL	1
23 984439001	ASSIST HANDLE W/GRIP.....	1
24 PS04159	SCREW (#12-24 X 1 in. SEMS) .2	2
25 PS04070	M CLAMP	1
26 82620	SLOTTED TORX SCREW	2
27 PS04072	CLAMP	1
28 81068	HEX NUT (12-24).....	2
29 PS04071	BARRIER BAR.....	1
30 983961001	HARNESS ASM. W/LABEL	1
983000660	OPERATOR'S MANUAL	
983000660R	REPAIR SHEET	

To locate a source for replacement parts, contact us toll free at 1-866-574-9242 (US) or 1-866-574-9243 (Canada).

TORO BRUSHCUTTER - MODEL NUMBER 51990A

FIGURE C



TORO BRUSHCUTTER – MODEL NUMBER 51990A

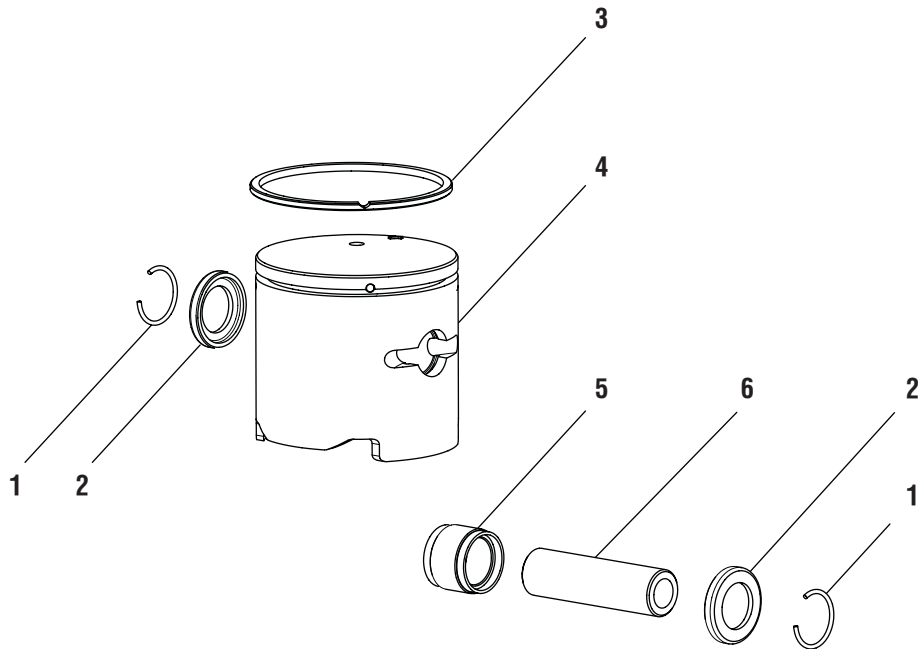
FIGURE C - PARTS LIST

KEY PART NO. NUMBER	DESCRIPTION	QTY.	KEY PART NO. NUMBER	DESCRIPTION	QTY.	
1	983660057	SCREW (M5 X 50 mm TORX SLOTTED RECESSED PAN HD.) ...	25	983619014	NUT (M5 x .8 mm).....	
		2	26	4300401	PULLEY ASSEMBLY.....	
2	985091001	HEAT SHIELD.....	1	27	300749003	CRANKCASE ASSEMBLY.....
3	300748015	MUFFLER ASSEMBLY.....	1	28	300758006	FUEL CAP ASSEMBLY.....
4	6300206	MUFFLER GASKET.....	1	29	PS03380	FUEL FILTER.....
5	640570016	CYLINDER.....	1	30	3075702	FUEL TANK ASSEMBLY (INCLUDES KEY NOS. 29 & 30).....
6	983660005	SCREW (M5 X 10 in. TORX RECESSED PAN HD.).....	2	31	983788071	WASHER.....
7	6634201	SCREW (M5 X 22 mm SOCKET HD.).....	2	32	6635301	CLUTCH SCREW.....
8	8714402	SPARK PLUG.....	1	33	6634401	SCREW (M5 X 20 mm TORX SLOTTED RECESSED PAN HD.) ...
9	6300221	CYLINDER PLATE.....	1	34	3075403	FRONT HOUSING ASSEMBLY.....
10	9071102	INSULATOR GASKET.....	1	35	6969601	CURVED WASHER.....
11	5947001	ENGINE HOUSING, REAR.....	1	36	3075601	CLUTCH ASSEMBLY.....
12	6656301	SCREW (M4 X 16 mm TORX RECESSED PAN HD.).....	4	37	6968901	ROTOR NUT.....
13	3075304	STARTER RECOIL ASSEMBLY.....	1	38	6457401	ROTOR.....
14	6635101	SCREW (M5 X 16 mm Torx SLOTTED RECESSED PAN HD.) ...	9	39	5946201	IGNITION COIL SPACER.....
15	5994701	HEAT DAM INSULATOR.....	1	40	982719005	WASHER (3/16 x 3/64).....
16	9071103	CARBURETOR GASKET.....	2	41	983784006	WOODRUFF KEY (10 mm X 3 mm).....
17	985892001	CARBURETOR ASSEMBLY.....	1	42	9070901	GASKET.....
18	985530002	FILTER HOUSING ASSEMBLY (INCLUDES KEY NO. 48).....	1	43	6634901	SCREW (M4 X 22 mm TORX SLOTTED RECESSED PAN HD.) ...
19	6634601	SCREW (M5 X 60 mm, SLOTTED RECESSED PAN HD. MACHINE)...	2	44	2914301	LEAD ASSEMBLY, BLACK.....
20	5687301	ELEMENT.....	1	45	2914302	LEAD ASSEMBLY, RED.....
21	985417001	COVER ASSEMBLY.....	1	46	2917802	COIL BOOT ASSEMBLY (INCLUDES KEY NOS. 45 & 46).....
22	6970001	HOSE CLIP.....	1	47	3078001	PRIMER ASSEMBLY.....
23	5688002	FUEL LINE.....	1	48	986179001	SPARK ARRESTOR KIT (NOT SHOWN).....
24	6969901	HOSE CLIP.....	1			

To locate a source for replacement parts,
contact us toll free at 1-866-574-9242 (US) or 1-866-574-9243 (Canada).

TORO BRUSHCUTTER – MODEL NUMBER 51990A

FIGURE D



KEY NO.	PART NUMBER	DESCRIPTION	QTY.
1	6969101	WRIST PIN CLIP RING	2
2	6968701	WASHER	2
3	690161002	PISTON RING.....	1
4	640920002	PISTON.....	1
5	6968602	NEEDLE BEARING (ID 8 X 8.8).....	1
6	6222701	WRIST PIN.....	1

To locate a source for replacement parts,
contact us toll free at 1-866-574-9242 (US) or 1-866-574-9243 (Canada).

For Parts Call 606-678-9623 or 606-561-4983



OWT Industries, Inc.

P.O. Box 35
Highway 8
Pickens, SC 29671
USA

Customer Service Information

If your product requires service or maintenance,
contact your nearest authorized service dealer.

To locate your nearest authorized service dealer for this product,
contact us toll free at 1-866-574-9242 (US) or 1-866-574-9243 (Canada).

983000-660
01-10-06
(REV:02)

www.mymowerparts.com