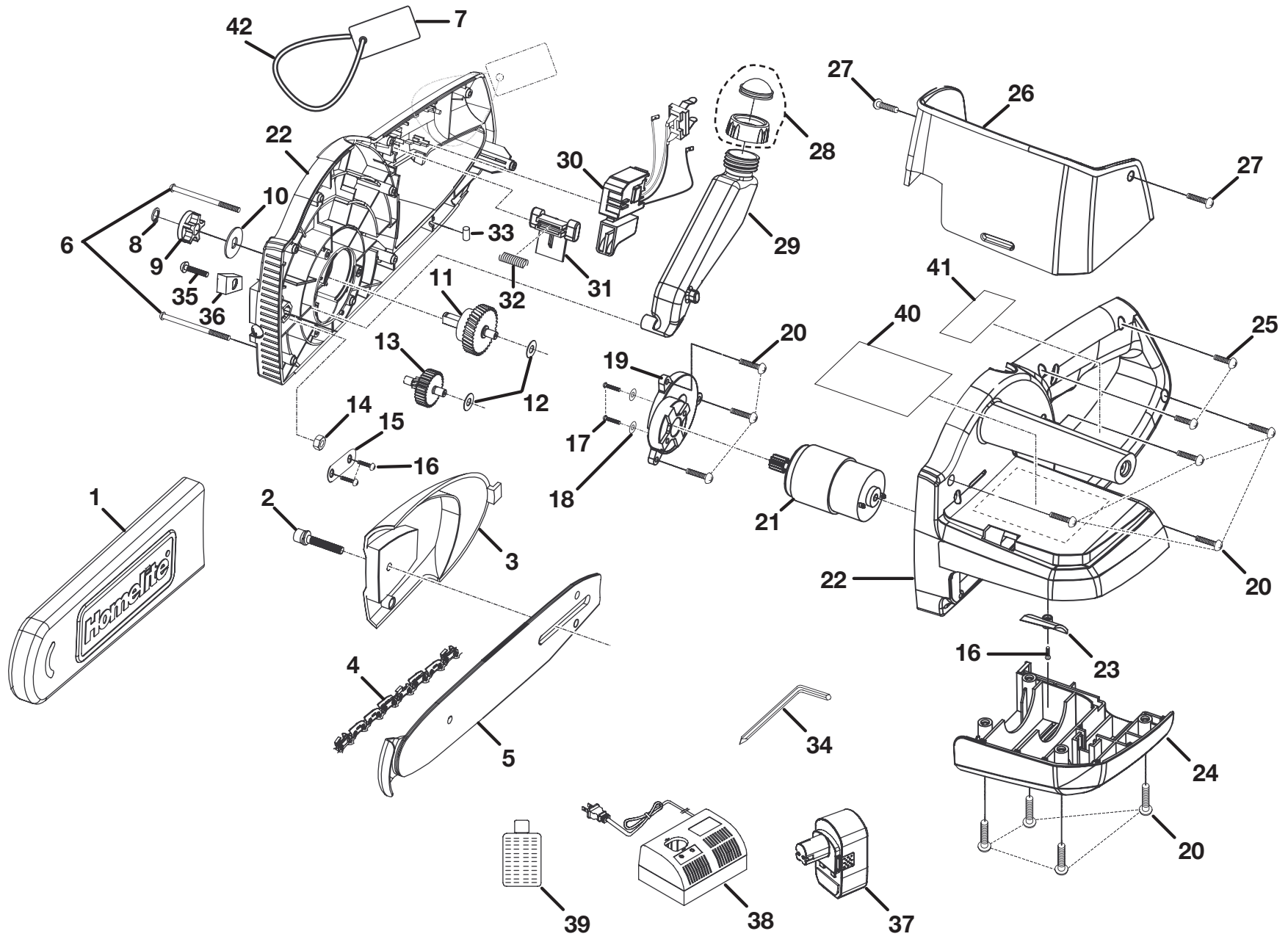


For Parts Call 606-678-9623 or 606-561-4983

**RYOBI  
18 VOLT CORDLESS CHAIN SAW  
MODEL NO. CS1800  
REPAIR SHEET**

For Parts Call 606-678-9623 or 606-561-4983

RYOBI 18 VOLT CORDLESS CHAIN SAW - MODEL NO. CS1800



**RYOBI 18 VOLT CORDLESS CHAIN SAW – MODEL NO. CS1800**

The model number will be found on a plate attached to the motor housing. Always mention the model number in all correspondence regarding your RYOBI CORDLESS CHAIN SAW or when ordering repair parts.

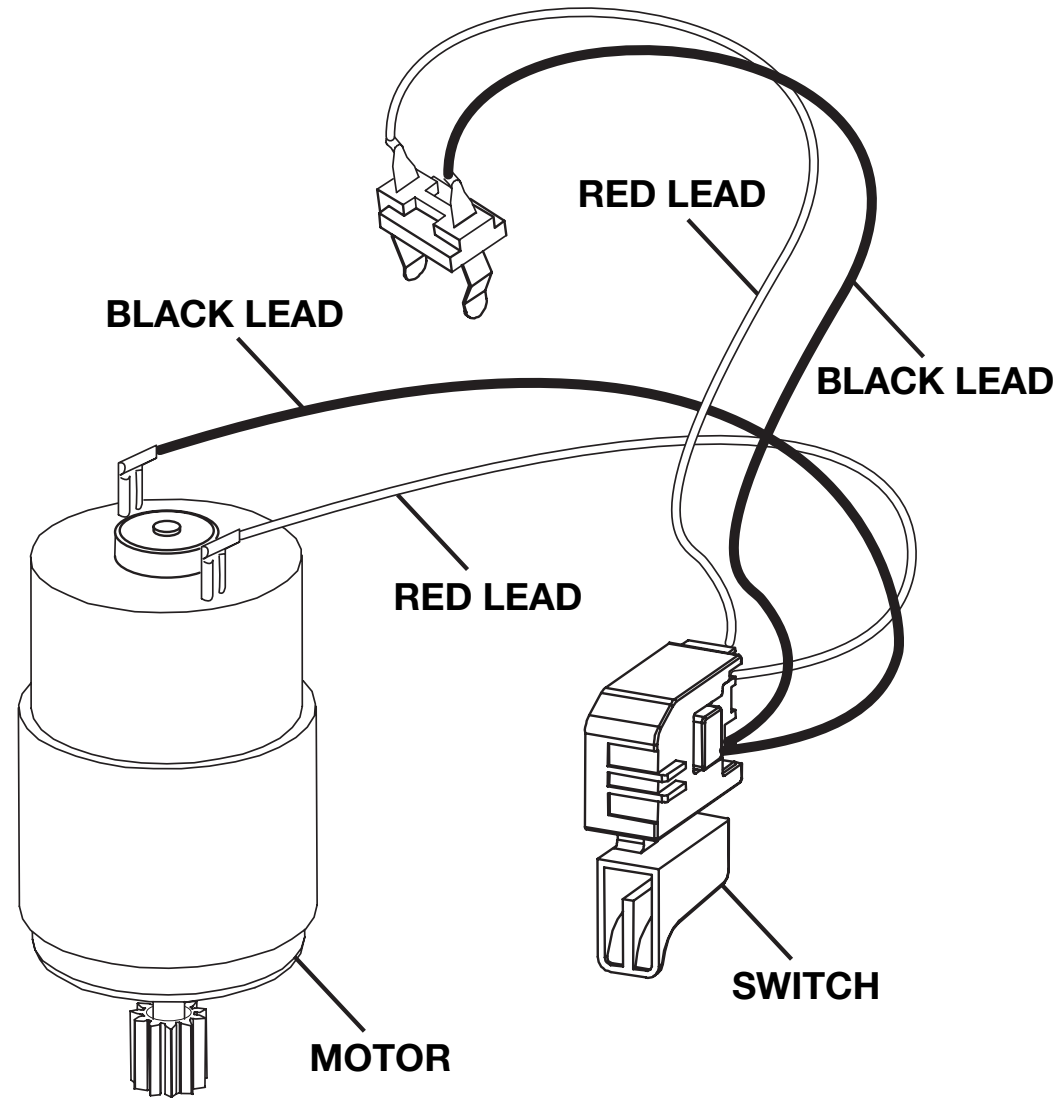
**PARTS LIST**

KEY NO.	PART NUMBER	DESCRIPTION	QTY.	KEY NO.	PART NUMBER	DESCRIPTION	QTY.
1	580363002	GUARD.....	1	23	5958401	WIND PLATE.....	1
2	6605802	SCREW (SOCKET HEAD) .....	1	24	590497003	LOWER MOTOR HOUSING .....	1
3	200193002	SPROCKET GUARD.....	1	25	6620805	* SCREW (M4 X 16 mm PAN HD.).....	2
4	6958301	CHAIN, (90JG-040) .....	1	26	200201002	FRONT HANDLE GUARD .....	1
	690583002	CHAIN / CARLTON		27	6620604	* SCREW (M3.5 X 25 mm) .....	1
5	671256002	CHAIN BAR (10 in.).....	1	28	300890001	OIL TANK COVER ASSEMBLY .....	1
	671667002	CHAIN BAR / MERCURY		29	5836201	OIL TANK .....	1
6	6623704	* SCREW (M4 X 66 mm) .....	2	30	2701520	SWITCH ASSEMBLY .....	1
7	940230067	WARNING LABEL (ON HANDLE) .....	1	31	5217313	SAFETY KNOB .....	1
8	6760802	C-RING.....	1	32	6799802	SPRING .....	1
9	6132301	SPROCKET .....	1	33	5621901	CONTACT PLATE STOPPER .....	1
10	6973301	COVER PLATE .....	1	34	6800203	HEX KEY (5 mm).....	1
11	3000343	OUTPUT SHAFT ASSEMBLY .....	1	35	660200002	* SCREW (M2.3 X 6 mm) .....	1
12	6906001	WASHER .....	2	36	900162004	FELT SEAL .....	1
13	3000342	OUTPUT SHAFT ASSEMBLY .....	1	37	130224007	BATTERY.....	1
14	6819602	NUT .....	1	38	1423701	BATTERY CHARGER.....	1
15	6985701	STEEL PLATE .....	1	39	200227001	OIL AND BOTTLE ASSEMBLY.....	1
16	6600506	BEARING RETAINER SCREW .....	3	40	940230050	WARNING LABEL.....	1
17	6621211	* SCREW (M4 X 12 mm) .....	2	41	940303117	RATING LABEL.....	1
18	6703001	SPRING WASHER .....	2	42	790022001	CABLE TIE .....	1
19	3076501	MOTOR MOUNTING ASSEMBLY .....	1		983000-353	OPERATOR'S MANUAL	
20	6620803	* SCREW (M4 X 22 mm PAN HD.).....	11		983000-353R	REPAIR SHEET (REV: 00)	
21	2307404	MOTOR ASSEMBLY .....	1		02-02-05		
22	200192002	MOTOR HOUSING SUPPORT .....	1				

\* STANDARD HARDWARE ITEM – MAY BE PURCHASED LOCALLY

For Parts Call 606-678-9623 or 606-561-4983

RYOBI 18 VOLT CORDLESS CHAIN SAW – MODEL NO. CS1800



**WIRING DIAGRAM**