

Homelite®

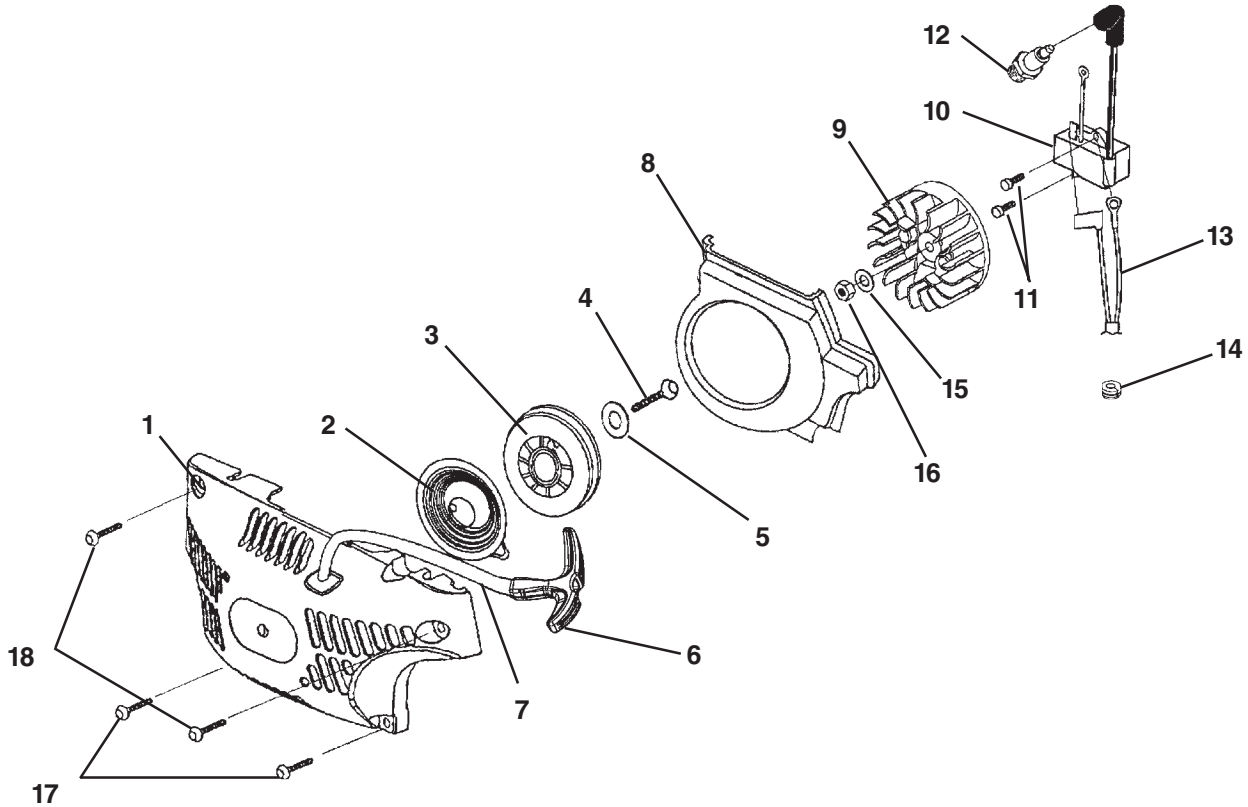
PARTS LIST



MODEL

33cc – 16 in. UT10947E

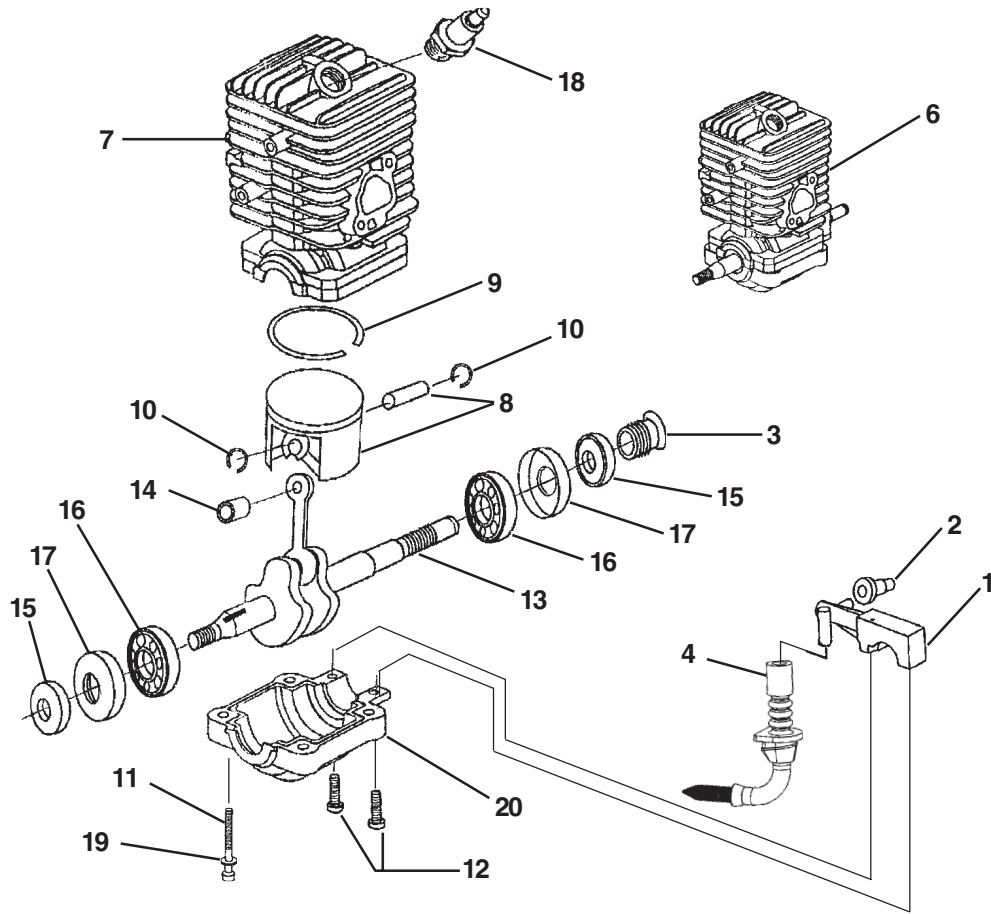
STARTER - IGNITION



NO.	PART NO.	DESCRIPTION	QTY.
1	984881001	Starter Kit	1
2	A 97908	Spring & Container	1
3	PS 03117	Pulley, Starter	1
4	82621	Screw, Thread Form, Plastite (10-14 x 5/8")	1
5	94062	Washer, Retaining	1
6	PS 06114	Grip, Starter	1
7	9789901	Rope, Starter 46"	1
8	06876	Baffle, Fan Housing	1
9	986154001	Rotor & Starter Pawl	1
10	984882001	Ignition Kit (33cc models)	1
11	82575	Screw, Thread Form (8-32 x 5/8")	2
12	PS 06216	Spark Plug	1
13	A 07602 A	Ignition Switch Harness	1
14	07587	Grommet, Wire Harness (Split)	1
15	PS 84065	Washer, Flat	1
16	985730001	Nut, Jam	1
17	82620	Screw, Truss Hd., Plastite (10-14 x 7/8")	2
18	82621	Screw, Truss Hd., Plastite (10-14 x 5/8")	2

ITEM NO.	TORQUE SPECS.		REQUIRED LOCTITE
	In.-Lbs.	Nm	
4	30-40	3.4-4.5	
11	30-40	3.4-4.5	242 Blue
12	120-180	13.6-20.3	
16	100-150	11.3-16.9	
17	30-40	3.4-4.5	
18	30-40	3.4-4.5	

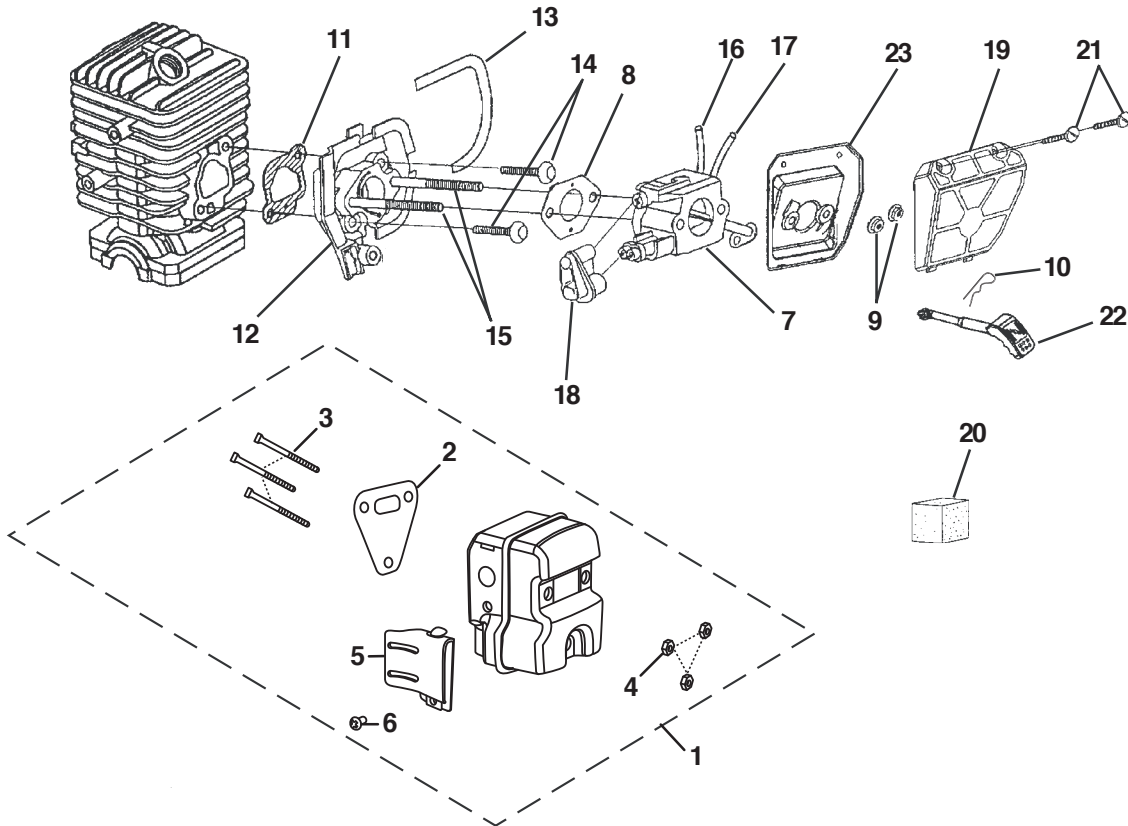
ENGINE INTERNAL - OIL PUMP



NO.	PART NO.	DESCRIPTION	QTY.
1	•UP 06602	Oil Pump Kit	1
2	06841	Grommet, Oil Outlet	1
3	06847	Left Hand Worm	1
4	PA 01037	Oil Intake Tube w/Filter	1
6	•300984003	Short Block, Complete (33cc)	1
7	•640941004	Cylinder Kit (33cc)	1
	900848001	Gasket, Muffler (Not Shown)	1
	06840 A	Gasket, Heat Dam (Not Shown)	1
	98339	Gasket, Carburetor (Not Shown)	1
8	•640974002	Piston & Pin (33cc)	1
9	03179	Piston Ring	1
10	64813	Ring, Retaining	2
11	82527	Screw, Cap-Socket Hd. (10-24 x 2")	4
12	PS 04989	Screw, Pan Hd., (8-32 x 5/8")	2
13	300943003	Crankshaft & Rod Assembly	1
14	678196001	Bearing, Needle	1
15	04920	Shaft Seal	2
16	A 04931A	Bearing & Rubber Case	2
17	04919	Rubber Case	1
18	PS 06216	Spark Plug	1
19	84008	Washer	4
20	04909	Lower Crankcase	1

ITEM NO.	TORQUE SPECS.		REQUIRED LOCTITE
	In.-Lbs.	Nm	
11	65-75	7.3-8.5	262 Red
12	15-20	1.7-2.3	
18	120-180	13.6-20.3	

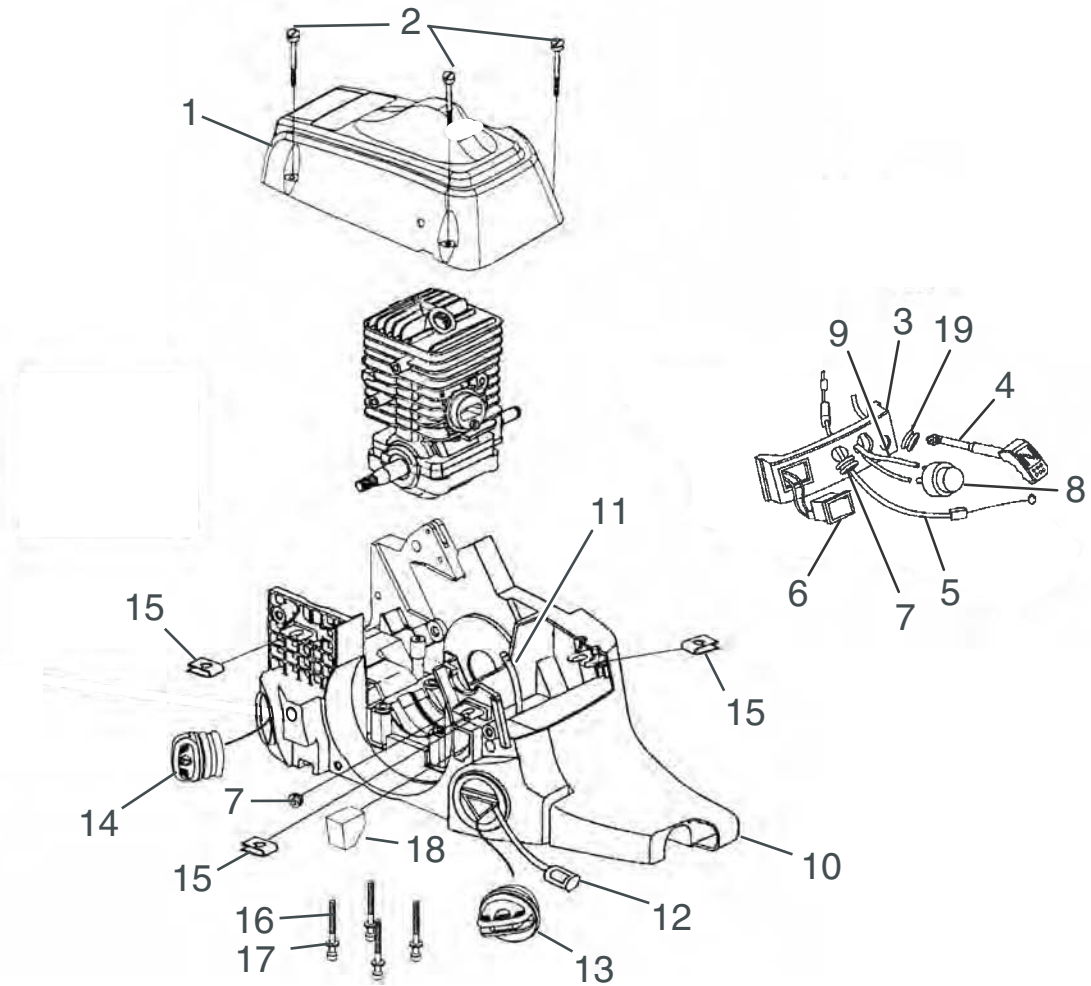
CARBURETOR - MUFFLER - AIR FILTER



NO.	PART NO.	DESCRIPTION	QTY.
1	300940004	Muffler Kit	1
2	900848001	Muffler Gasket	1
3	PS 04525	Screw-Square Hd.	3
4	81206	Nut-Locking Hex (10-32)	3
5	PS 06075	Deflector, Muffler	1
6	95922	Screw (8-32 X .312 Pan Hd.)	1
7	300939004	Carburetor Assembly	1
8	98339	Carburetor Gasket	1
9	07589	Flange Nut (10-24)	2
10	08939	Spring Clip (Choke Rod)	1
11	06840 A	Gasket, Heat Dam	1
12	04916	Carburetor Spacer	1
13	06873	Seal, Heat Dam	1
14	983699011	Screw, Truss Hd. Tapite (10-24 x 7/8")	2
15	06852	Screw, Carburetor	2
16	0745434	Fuel Line (Tank to Carburetor 8 1/2")	1
17	0745408	Fuel Line (Carburetor to Purge Bulb 2")	1
18	04907	Carburetor Grommet	1
	UP 06753 A	Air Filter Kit	1
19	04938	Air Filter Cover	1
20	PS 05070	Pre Filter (In engine housing)	1
21	82617	Screw-Slotted Pan Hd. (8-16 x 5/8")	2
22	PS 06280	Rod, Choke	1
23	04937	Air Filter Plate	1

ITEM NO.	TORQUE SPECS.		REQUIRED LOCTITE
	In.-Lbs.	Nm	
4	50-60	5.6-6.7	
10	15-20	1.7-2.3	
12	30-40	3.4-4.5	
17	45-55	5.0-6.2	Z62 Red

ENGINE HOUSING - FUEL TANK - OIL TANK



NO.	PART NO.	DESCRIPTION	QTY.
1	06875	CYLINDER COVER	1
2	07597	SCREW-SLOTTED PAN HEAD	3
3	PS03503	CONTROL PANEL	1
4	PS06280	CHOKE ROD	1
5	A07596B	THROTTLE CABLE	1
6	07385	ROCKER SWITCH	1
7	07587	SPLIT GROMMET	2
8	01183	PRIMER BULB	1
9	0745434	* RUBBER TUBING (5-1/2 in.)	1
10	985029001	CHASSIS	1
11	0745434	* RUBBER TUBING (8-1/2 in.)	1
12	PS03380	FUEL FILTER	1
13	PA01645	FUEL CAP, W/RETAINER	1
14	PA01646	OIL CAP, W/RETAINER	1
15	07598	SPEED NUT (U-TYPE)	3

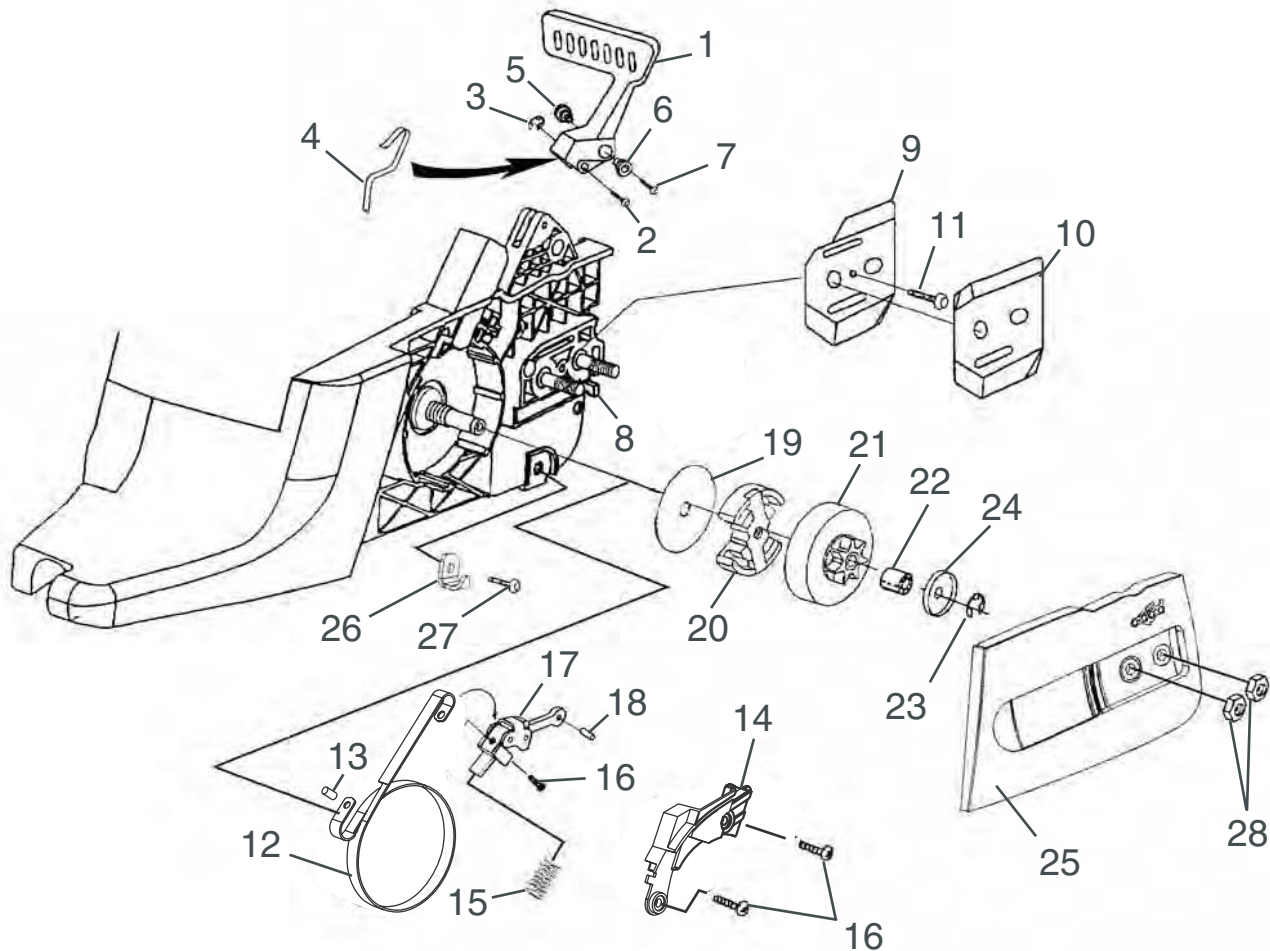
NO.	PART NO.	DESCRIPTION	QTY.
16	82527	SCREW, (10-24 x 2 in.)	4
17	84008	WASHER	4
18	PS05070	PRE FILTER	1
19	64862	GROMMET	1
[PS00340	CHAIN BRAKE DECAL	1
	PS06324	SAFETY DECAL	1
	PS06321	D/C COVER DECAL	1
	PS06322	STARTER HOUSING DECAL	1
	PS06323	KICK BACK DECAL	1
	PS06341	HELP / START DECAL	1

ITEM NO.	TORQUE SPECS. In.-Lbs.	TORQUE SPECS. Nm	REQUIRED LOCTITE
2	15-25	1.7-2.8	
16	65-75	7.3-8.5	262 RED

*** NOTE:**

Part No. 0745434 (Items #9 and 11) come standard 8 1/2 inches in Length. Item #9 should be cut to 5-1/2 in.

CLUTCH – CHAIN BRAKE – DRIVE CASE COVER

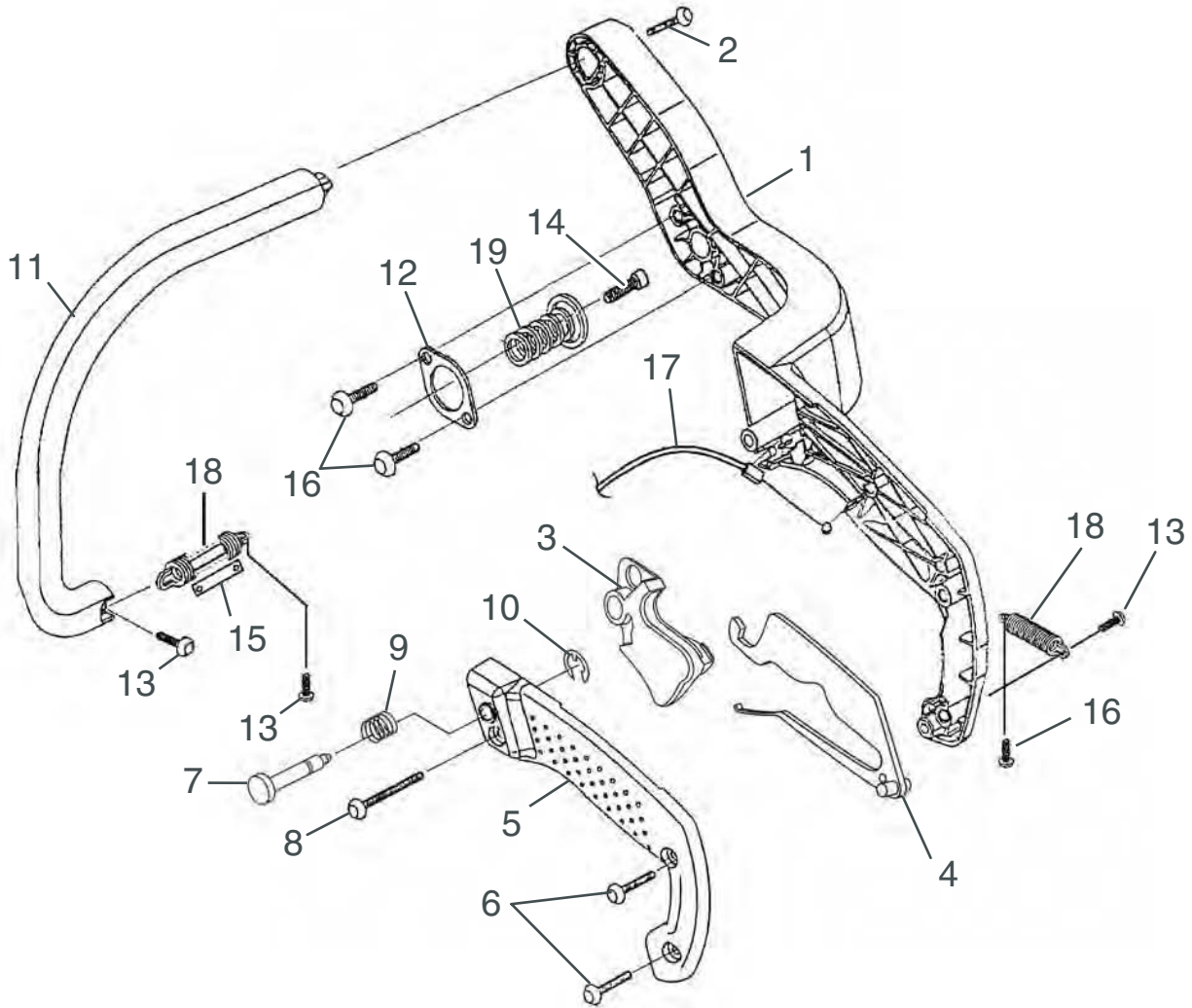


NO.	PART NO.	DESCRIPTION	QTY.
1	07386B	HAND GUARD	1
2	07580	HAND GUARD ACTUATING PIN	1
3	69599	RETAINING RING	1
4	07613	HANDGUARD SPRING	1
5	07393	PIVOT, L.H.	1
6	07392	PIVOT, R.H.	1
7	82624	SCREW (8-32 x 5/8 in.)	1
8	984901001	ADJUSTING PIN	1
9	07404A	GUIDE BAR PLATE	1
10	07405A	GUIDE BAR PLATE	1
11	82513	SCREW (6-19 x 1/2 in.)	1
12	985030001	BRAKE BAND	1
13	06672	ROLL PIN	1
14	985021001	CHAIN BRAKE COVER	1
15	985240001	COMPRESSION SPRING	1
16	82623	SCREW (8-16 x .320)	3
17	984897001	CHAIN BRAKE LINK	1
18	95395A	ROLL PIN	1
19	04940	THRUST WASHER	1
20	984898001	CLUTCH & HARDWARE	1
21	984350001	DRUM SPROCKET (.375 PITCH)	1
22	PS04669	NEEDLE BEARING	1
23	08981	RETAINING RING	1
24	04939A	CUPPED WASHER	1
25	PA01106	DRIVE CASE COVER ASSEMBLY	1
26	PS02928	CHAIN CATCHER	1

NO.	PART NO.	DESCRIPTION	QTY.
27	82541	SCREW (10-24 x 1/2 in.)	1
28	81196	HEX NUT	2

ITEM NO.	TORQUE SPECS.		REQUIRED LOCTITE
	In.-Lbs.	Nm	
7	25-35	2.8-3.9	242 BLUE
11	8-18	0.9-2.0	
16	20-30	2.3-3.4	
20	130-180	14.7-20.3	
27	30-50	3.4-5.6	
28	HAND TIGHT		

HANDLES



NO.	PART NO.	DESCRIPTION	QTY.
1	06870	REAR HANDLE	1
2	82615	SCREW (12-14 x 1-1/2 in.)	2
3	984354002	THROTTLE TRIGGER	1
4	PS06283	THROTTLE LOCK OUT	1
5	06871	HANDLE COVER	1
6	82563	SCREW (10-14 x 3/4 in.)	2
7	PS06281	THROTTLE PIN LOCK	1
8	82622	SCREW (10-14 x 1- 3/8 in.)	1
9	08898	SPRING	1
10	58409	E-RING	1
11	PS03985	FRONT HANDLE	1
12	07384	ISOLATOR PLATE	1
13	82621	SCREW (10-14 x 5/8 in.)	3
14	82597	SCREW (10-24 x 5/8 in.)	1
15	01812A	LIMITER, ISOLATOR	1
16	82541	SCREW (10-14 x 1/2 in.)	3
17	A07596B	THROTTLE CABLE	1
18	PS05217	EXTENSION SPRING	2
19	PS05199	UPPER ISOLATION SPRING	1
	PS05239	INSTRUCTION SHEET	

ITEM NO.	TORQUE SPECS.		REQUIRED LOCTITE
	In.-Lbs.	Nm	
2.....	40-50	4.5-5.6	
6.....	30-40	3.4-4.5	
8.....	30-40	3.4-4.5	
13.....	30-40	3.4-4.5	
14.....	40-50	4.5-5.6	
16.....	30-40	3.4-4.5	

ACCESSORIES

LENGTH OF BAR	GUIDE BAR PART NUMBER	CHAIN PART NUMBER
12 in.....	PS06330	PS06328
14 in.....	PS06331	PS06329
16 in.....	PS06338	PS06285

SEALANT SILICON.....	PS24823	COMPRESSION TESTER.....	94194
*RUBBER TUBING	0745434	CARRY CASE	PA01648
WRENCH – COMBINATION	09207	BUMPER SPIKE KIT	984902001
DIGITAL TACHOMETER	18416	ADJUSTING PIN KIT.....	984901001
GREASE, MULTI-PURPOSE	18453	OPERATOR'S MANUAL.....	983000806

HOMELITE CONSUMER PRODUCTS, INC.

1428 Pearman Dairy Road, Anderson, SC. 29625

Post Office Box 1207, Anderson, SC 29622

Phone 1-800-242-4672

www.homelite.com

983000806R (REV:00)

09-09-05