

For Parts Call 606-678-9623 or 606-561-4983

RYOBI
18 in. CHAIN SAW
MODEL NO. RY43006
REPAIR SHEET

RYOBI CHAIN SAW - MODEL NUMBER RY43006

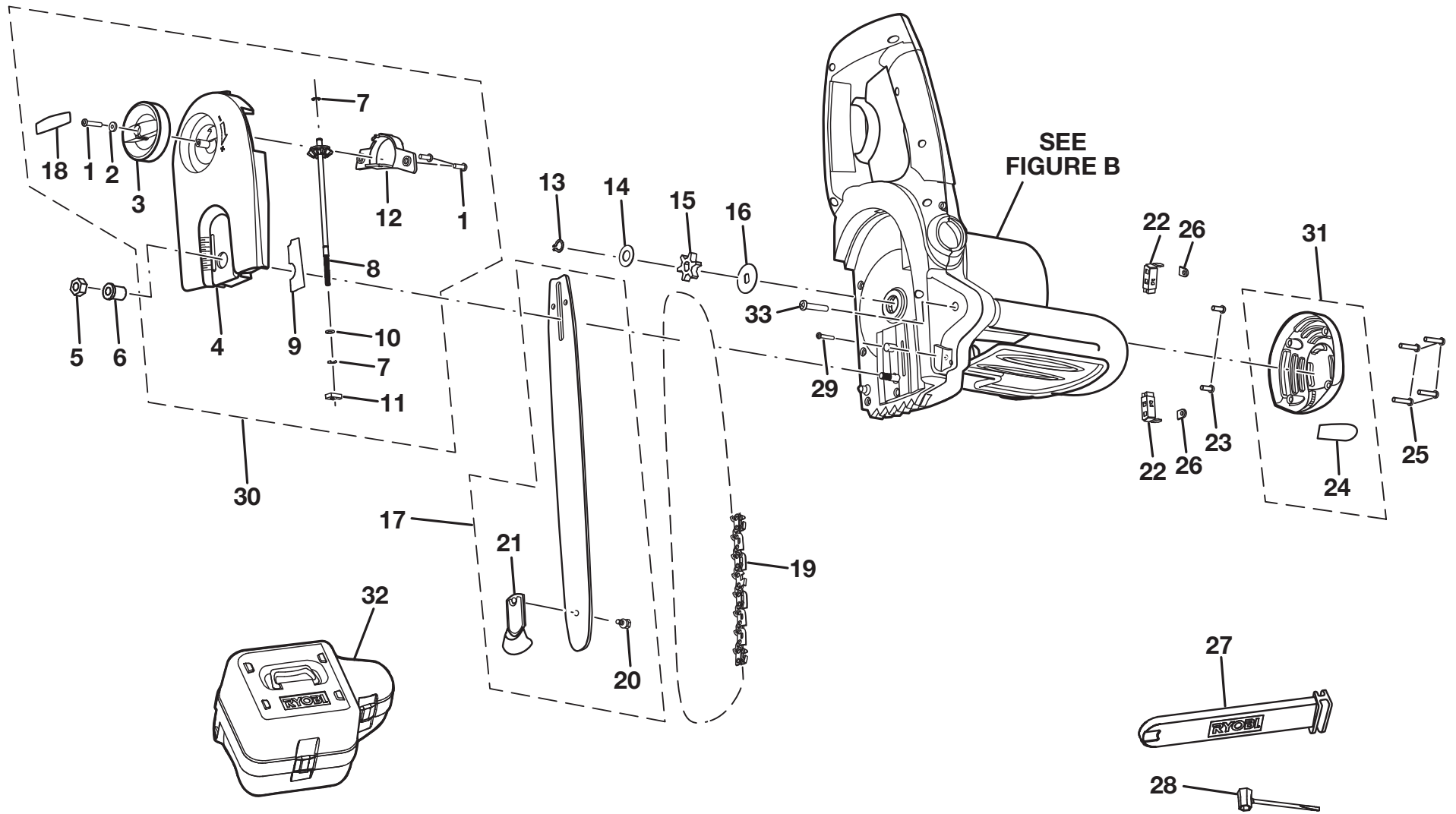


Figure A

RYOBI CHAIN SAW – MODEL NUMBER RY43006

The model number will be found on a plate attached to the motor housing. Always mention the model number in all correspondence regarding your **CHAIN SAW** or when ordering repair parts.

PARTS LIST (FIGURE A)

| KEY NO. | PART NUMBER | DESCRIPTION | QTY | KEY NO. | PART NUMBER | DESCRIPTION | QTY |
|---------|-------------|--|-----|---------|-------------|--|-----|
| 1 | 6620801 | * SCREW (M4 X 12 mm PAN HD.) | 3 | 19 | 301304001 | SAW CHAIN ASSEMBLY | 1 |
| 2 | 6875901 | * FLAT WASHER (OD10 X ID4.2 X 1.0) | 1 | 20 | 660640001 | SAFE-T-TIP (SCREW AND WASHER) | 1 |
| 3 | 512202001 | BAR COVER KNOB WITH BEVEL GEAR | 1 | 21 | 308006004 | CHAIN TIP | 1 |
| 4 | 512107001 | BAR COVER | 1 | 22 | 290069050 | BRUSH ASSEMBLY | 2 |
| 5 | 671306001 | GUIDE BAR NUT | 1 | 23 | 6614001 | * SCREW (M8 X 1/2 in. PAN HD.) | 2 |
| 6 | 671307001 | GUIDE BAR NUT BUSHING | 1 | 24 | 940299889 | LOGO LABEL | 1 |
| 7 | 690467001 | E-RING | 2 | 25 | 6620805 | * SCREW (M4 X 16 mm PAN HD.) | 4 |
| 8 | 301078001 | ADJUST SCREW ASSEMBLY | 1 | 26 | 630801001 | BRUSH CLAMP | 2 |
| 9 | 512198001 | RUBBER SEAL | 1 | 27 | 512341001 | BLADE GUARD (SCABBARD) | 1 |
| 10 | 671696001 | * WASHER (OD9.5 X ID5.3 X 1) | 1 | 28 | 631055002 | SCRENCH | 1 |
| 11 | 631037001 | GUIDE BAR ADJUST PLATE | 1 | 29 | 6620803 | * SCREW (M4 X 22 mm PAN HD.) | 1 |
| 12 | 512204001 | COVER PLATE | 1 | 30 | 200376001 | BAR COVER W/ LABEL ASSEMBLY (INCLUDES KEY NOS. 1-4, 7-12, 18) | 1 |
| 13 | 680469001 | C-RING (1 mm) | 1 | 31 | 200293039 | MOTOR END CAP W/ LABEL ASSEMBLY (INCLUDES KEY NO. 24) | 1 |
| 14 | 671694001 | WASHER | 1 | 32 | 300912201 | CARRYING CASE | 1 |
| 15 | 671225001 | SPROCKET | 1 | 33 | 660259005 | * SCREW (M4.5 X 22 mm PAN HD.) | 1 |
| 16 | 671695001 | WASHER | 1 | | 983000640 | OPERATOR'S MANUAL (960986002) | |
| 17 | 301139003 | SAW BAR ASSEMBLY (18 in.) (INCLUDES KEY NOS. 20-21) | 1 | | 983000640R | REPAIR SHEET (REV:02) | |
| 18 | 940299891 | CHAIN TENSIONER LABEL | 1 | | 02-28-06 | | |

WARNING: Improper repair of a double insulated tool can result in damage to the double insulation system possibly causing electrical shock or electrocution. Any repairs requiring disassembly of your tool requires safety testing and should only be performed by a Ryobi Authorized Service Center. For the service center nearest you call 1-800-860-4050.

* STANDARD HARDWARE ITEM – MAY BE PURCHASED LOCALLY

RYOBI CHAIN SAW - MODEL NUMBER RY43006

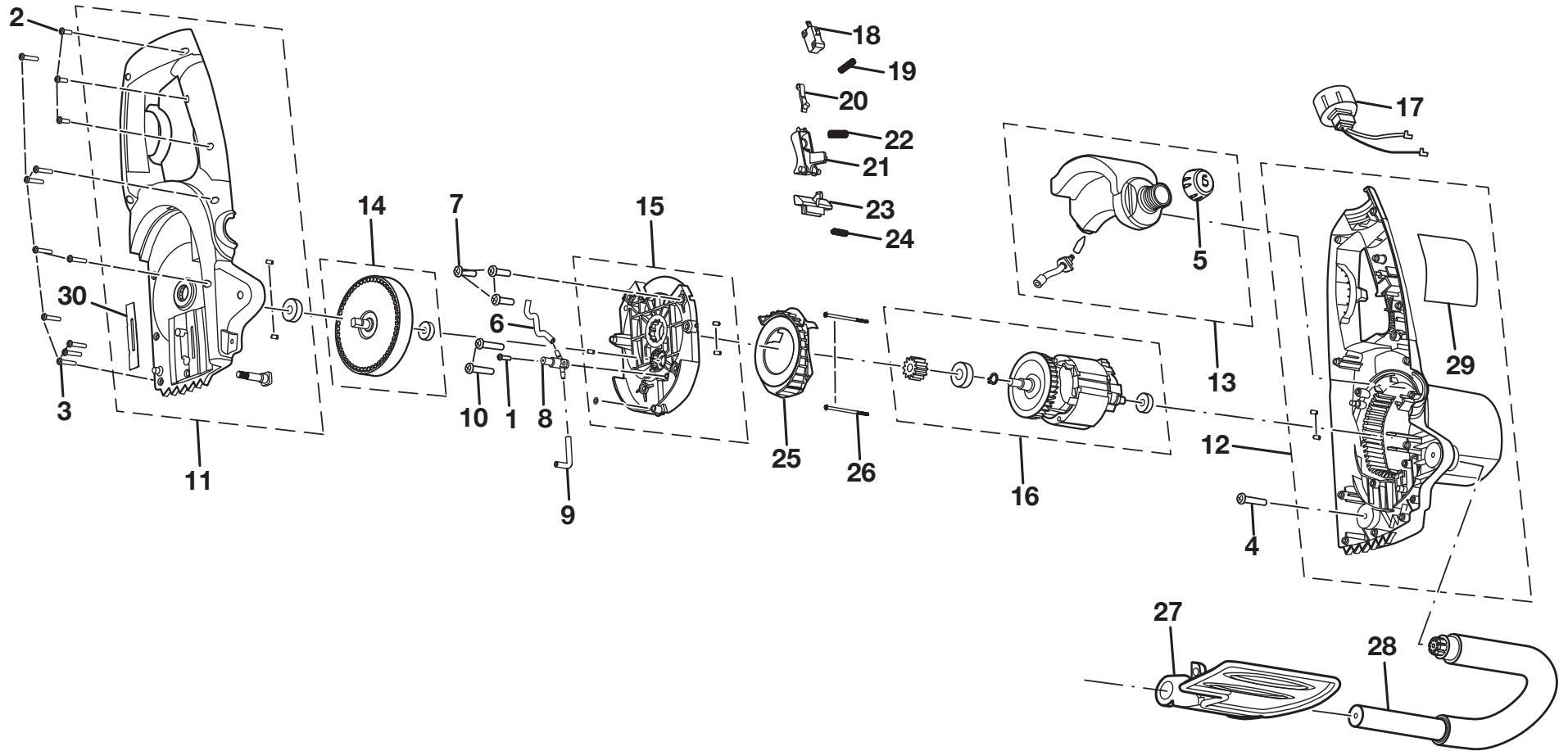


Figure B

RYOBI CHAIN SAW – MODEL NUMBER RY43006

The model number will be found on a plate attached to the motor housing. Always mention the model number in all correspondence regarding your **CHAIN SAW** or when ordering repair parts.

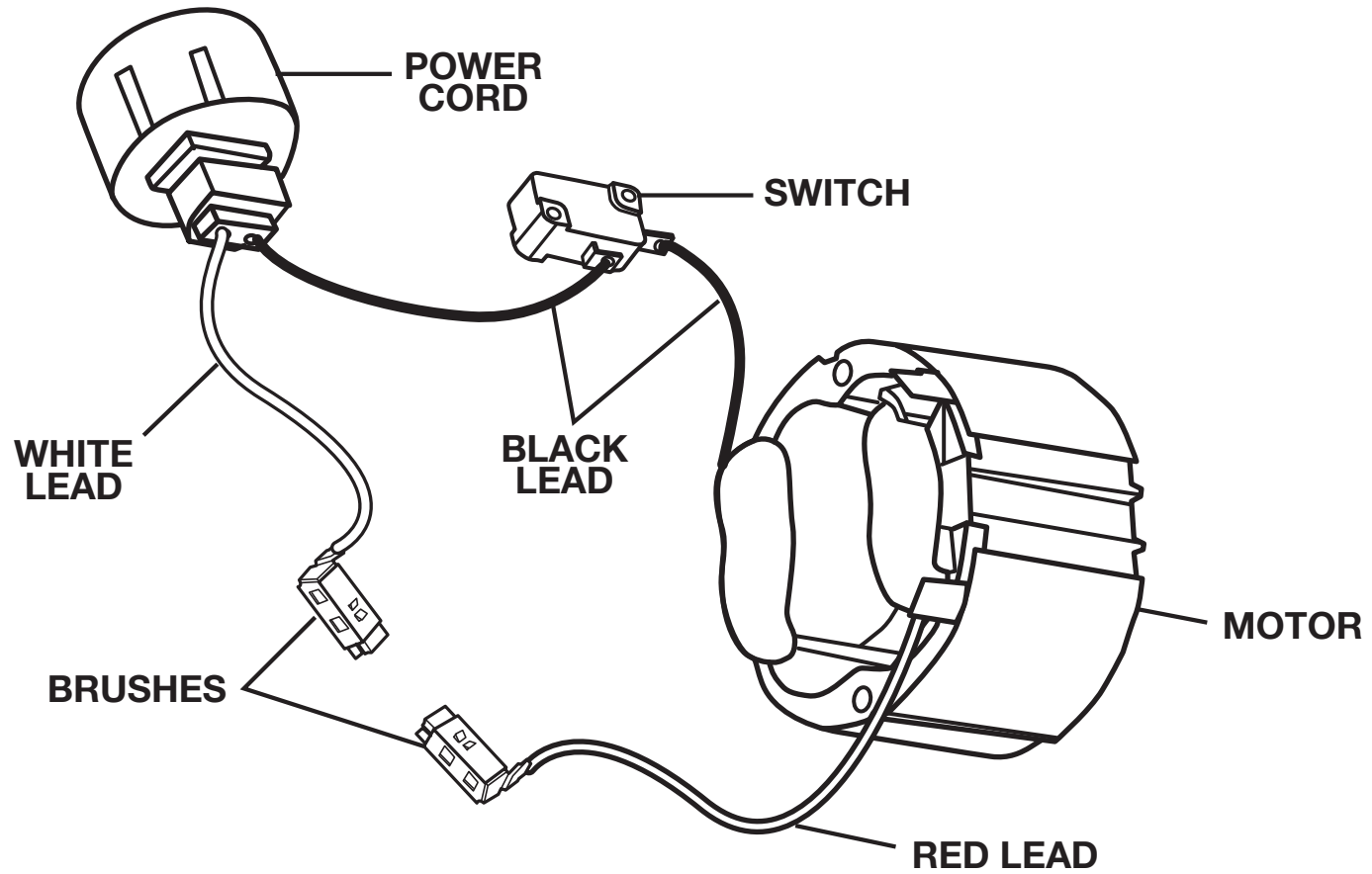
PARTS LIST (FIGURE B)

| KEY NO. | PART NUMBER | DESCRIPTION | QTY | KEY NO. | PART NUMBER | DESCRIPTION | QTY |
|---------|-------------|---|-----|---------|-------------|---|-----|
| 1 | 6620801 | * SCREW (M4 X 12 mm PAN HD.) | 1 | 15 | 200293040 | GEAR CASE ASSEMBLY | 1 |
| 2 | 6627201 | * SCREW (M4 X 14 mm PAN HD.) | 3 | 16 | 200146027 | MOTOR ASSEMBLY W/ BEARING | 1 |
| 3 | 6620803 | * SCREW (M4 X 22 mm PAN HD.) | 9 | 17 | 290220001 | RECEPTACLE & RECESS PLUG ASSEMBLY | 1 |
| 4 | 660259005 | * SCREW (M4.5 X 22 mm PAN HD.) | 1 | 18 | 760403001 | SWITCH | 1 |
| 5 | 512197001 | OIL RESERVOIR CAP | 1 | 19 | 671740001 | SPRING (Ø0.5 X ID4.5 X 23) | 1 |
| 6 | 512110003 | LONG OIL TUBE | 1 | 20 | 512148002 | SWITCH LEVER | 1 |
| 7 | 660259006 | * SCREW (M4.5 X 14 mm PAN HD.) | 3 | 21 | 512201001 | TRIGGER | 1 |
| 8 | 300946002 | OIL PUMP ASSEMBLY | 1 | 22 | 671414001 | MAIN TRIGGER SPRING (Ø0.8 X OD7.9 X 34) | 1 |
| 9 | 512110001 | SHORT OIL TUBE | 1 | 23 | 512200001 | LOCK OFF BUTTON | 1 |
| 10 | 660259001 | * SCREW (M4.5 X 18 mm PAN HD.) | 2 | 24 | 670998004 | SPRING | 1 |
| 11 | 200202374 | HOUSING COVER ASSEMBLY (INCLUDES KEY NO. 30) | 1 | 25 | 512099001 | FAN BAFFLE | 1 |
| 12 | 200202375 | HOUSING SUPPORT W/ LABEL ASSEMBLY (INCLUDES KEY NO. 29) | 1 | 26 | 660101003 | * SCREW (#8 X 2-1/8 in. PAN HD.) | 2 |
| 13 | 300790002 | OIL TANK ASSEMBLY (INCLUDES KEY NO. 5) | 1 | 27 | 512097001 | SAFETY GUARD | 1 |
| 14 | 200377001 | GEAR ASSEMBLY W/ BEARING | 1 | 28 | 512096001 | FRONT HANDLE | 1 |
| | | | | 29 | 940186111 | DATA LABEL | 1 |
| | | | | 30 | 512196001 | RUBBER SEAL | 1 |

WARNING: Improper repair of a double insulated tool can result in damage to the double insulation system possibly causing electrical shock or electrocution. Any repairs requiring disassembly of your tool requires safety testing and should only be performed by a Ryobi Authorized Service Center. For the service center nearest you call 1-800-860-4050.

* STANDARD HARDWARE ITEM – MAY BE PURCHASED LOCALLY

RYOBI CHAIN SAW - MODEL NUMBER RY43006



WIRING DIAGRAM