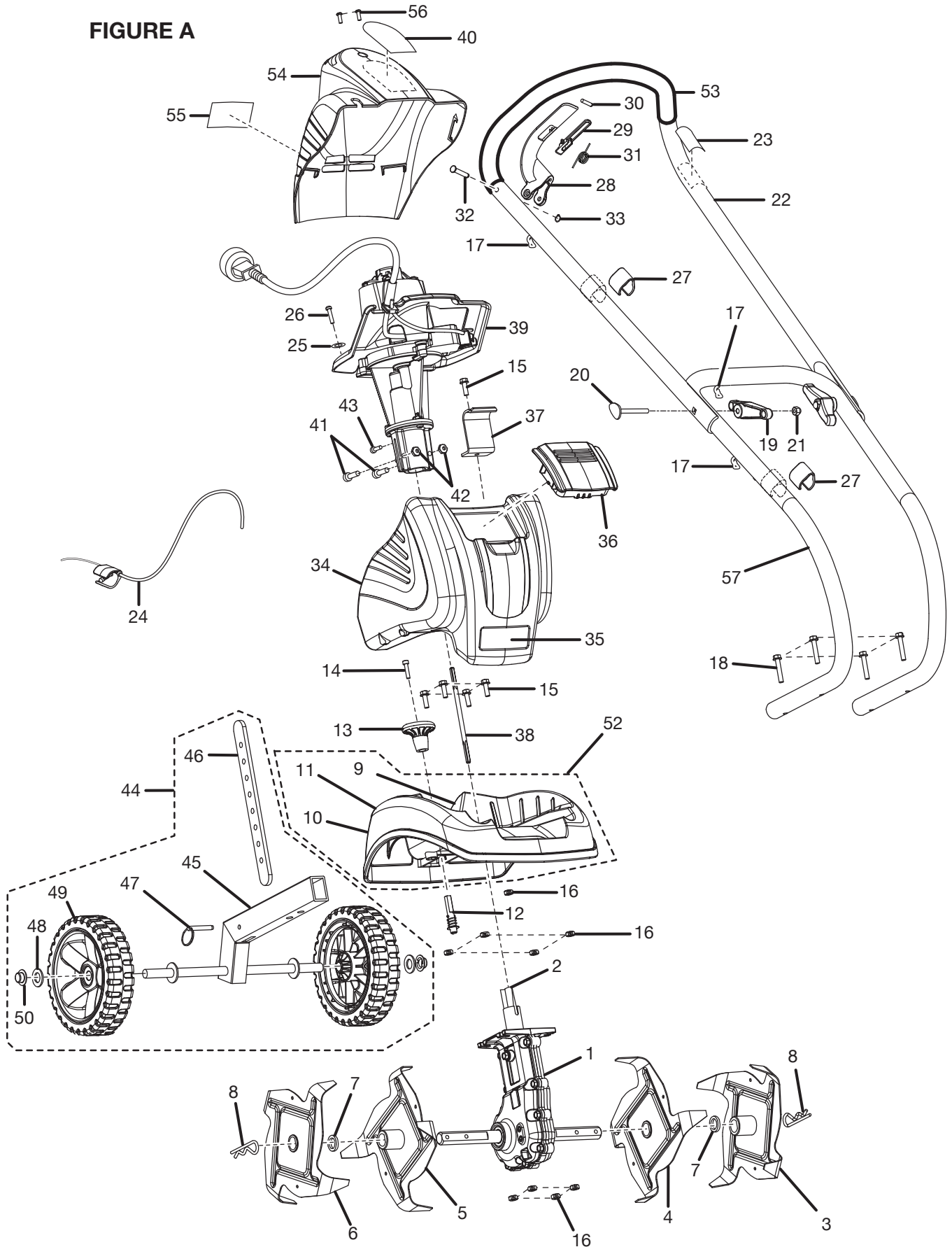


For Parts Call 606-678-9623 or 606-561-4983

**RYOBI
ELECTRIC CULTIVATOR
MODEL NO. RY46501A
REPAIR SHEET**

**RYOBI ELECTRIC CULTIVATOR
MODEL NUMBER RY46501A**

FIGURE A



**RYOBI ELECTRIC CULTIVATOR
MODEL NUMBER RY46501A**

The model number will be found on a plate attached to the motor housing. Always mention the model number in all correspondence regarding your **ELECTRIC CULTIVATOR** or when ordering repair parts.

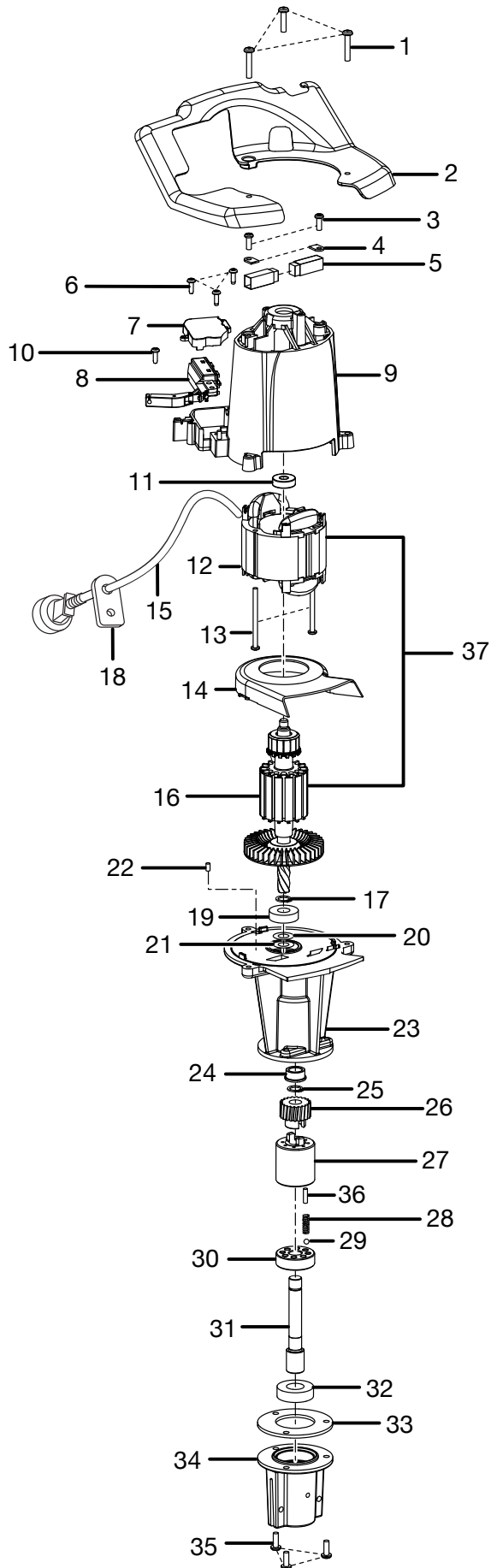
PARTS LIST FOR FIGURE A

| KEY NO. | PART NUMBER | DESCRIPTION | QTY. |
|---------|-------------|--|------|
| 1 | 220032001 | GEAR BOX ASSY W/TUBE AND LINER..... | 1 |
| 2 | 518279001 | LINER-HELIX (47 mm) | 1 |
| 3 | 308216002 | TINE ASSEMBLY (A) | 1 |
| 4 | 308216003 | TINE ASSEMBLY (B) | 1 |
| 5 | 308216004 | TINE ASSEMBLY (C)..... | 1 |
| 6 | 308216005 | TINE ASSEMBLY (D)..... | 1 |
| 7 | 900755001 | FELT WASHER..... | 2 |
| 8 | 638001004 | CLEVIS CLIP..... | 2 |
| 9 | 950119001 | WARNING LABEL (BACK LEFT)..... | 1 |
| 10 | 950124002 | WARNING LABEL (BACK RIGHT) | 1 |
| 11 | 950119010 | WARNING LABEL (FOOT) | 1 |
| 12 | 308228001 | RECEIVER RETAINER ASSEMBLY | 1 |
| 13 | 518206001 | KNOB..... | 1 |
| 14 | 660713001 | * SCREW (M5 x 16 mm SOC. WASHER HD. CAP) | 1 |
| 15 | 660643002 | * BOLT (1/4-20 x 1 in. HEX HD.)..... | 5 |
| 16 | 678132001 | * LOCK NUT (1/4-20) | 9 |
| 17 | 700810001 | HEAT SHRINK TUBING | 3 |
| 18 | 660643001 | * BOLT (HANDLE) (1/4-20 x 1-1/2 in. HEX HD.)..... | 4 |
| 19 | 518190001 | KNOB (1/4-20)..... | 2 |
| 20 | 660711002 | * CARRIAGE BOLT (1/4-20 x 2-1/4 in.) | 2 |
| 21 | 678142001 | * NUT-ACORN, CENTERLOCK (1/4-20)..... | 2 |
| 22 | 308339002 | HANDLE, UPPER ASSEMBLY W/GRIP AND LABEL (INC. KEY NOS. 17, 23 & 53).... | 1 |
| 23 | 950124004 | BOOM LABEL..... | 1 |
| 24 | 308293001 | THROTTLE CABLE ASSEMBLY | 1 |
| 25 | 983788174 | WASHER (FOR ATTACHING THROTTLE CABLE TO MOTOR)..... | 1 |
| 26 | 660734001 | * SCREW (M4 x 16 mm) (FOR ATTACHING THROTTLE CABLE TO MOTOR)..... | 1 |
| 27 | 518205001 | CLIP | 2 |
| 28 | 518280001 | TRIGGER | 1 |
| 29 | 518281001 | LOCK OUT LEVER..... | 1 |
| 30 | 638138001 | PIN | 1 |
| 31 | 638139001 | SPRING | 1 |
| 32 | 638132001 | CLEVIS PIN..... | 1 |
| 33 | 678135001 | RETAINING RING..... | 1 |
| 34 | 308217001 | TANK, BALLAST ASSEMBLY (INC. KEY NO. 35) | 1 |
| 35 | 950119004 | LOGO LABEL..... | 1 |
| 36 | 360992001 | LID | 1 |
| 37 | 638099001 | MOUNTING BRACKET | 1 |
| 38 | 620388001 | DRIVE SHAFT | 1 |
| 39 | 230128001 | MOTOR AND PINION ASSEMBLY | 1 |
| 40 | 950124003 | LABEL, ELECTRIC AMP LOGO..... | 1 |
| 41 | 660429001 | * SCREW (M5 x 19 mm SOC. HD. CAP)..... | 2 |
| 42 | 678213001 | * SQUARE NUT (M5)..... | 2 |
| 43 | 968702007 | * SCREW (8-16 x 1/2 in. PAN HD.)..... | 1 |
| 44 | 308213001 | WHEEL/DRAW STAKE ASSEMBLY (INC. KEY NOS. 45, 46, 47, 48, 49 AND 50)..... | 1 |
| 45 | 308222001 | FRAME ASSEMBLY | 1 |
| 46 | 638017004 | DRAG STAKE..... | 1 |
| 47 | 638017003 | HITCH PIN | 1 |
| 48 | 638017002 | WASHER..... | 2 |
| 49 | 308236001 | WHEEL ASSEMBLY..... | 2 |
| 50 | 678136001 | * PUSH CAP NUT (1/2 in.)..... | 2 |
| 51 | 950124005 | HANG TAG, WHEEL ASSEMBLY (NOT SHOWN)..... | 1 |
| 52 | 308367001 | TINE SHIELD ASSEMBLY (INC. KEY NOS. 9,10 AND 11) | 1 |
| 53 | 518053002 | GRIP | 1 |
| 54 | 308366001 | REAR HOUSING ASSEMBLY (INC. KEY NOS. 40 & 55) | 1 |
| 55 | 950124001 | DATA LABEL | 1 |
| 56 | 983638006 | * SCREW (M4 x 13 mm TF)..... | 2 |
| 57 | 308047002 | LOWER HANDLE ASSEMBLY (INC. KEY NO. 17)..... | 1 |

* Standard Hardware Item – May Be Purchased Locally

**RYOBI ELECTRIC CULTIVATOR
MODEL NUMBER RY46501A**

FIGURE B



**RYOBI ELECTRIC CULTIVATOR
MODEL NUMBER RY46501A**

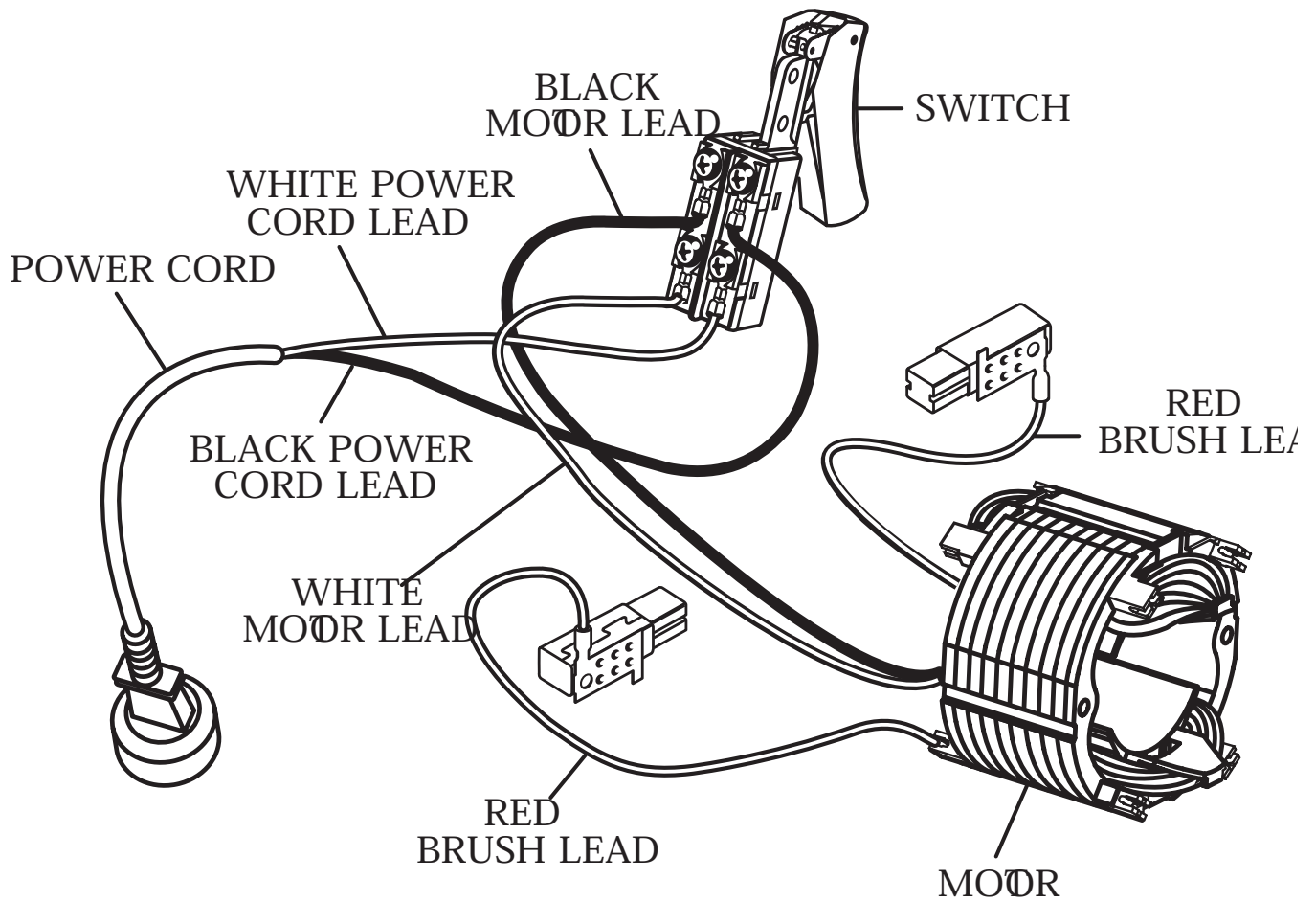
The model number will be found on a plate attached to the motor housing. Always mention the model number in all correspondence regarding your **ELECTRIC CULTIVATOR** or when ordering repair parts.

PARTS LIST FOR FIGURE B

| KEY NO. | PART NUMBER | DESCRIPTION | QTY. |
|---------|-------------|---|------|
| 1 | 983660021 | * SCREW (M5 X 26 mm)..... | 3 |
| 2 | 513361001 | INNER HOUSING | 1 |
| 3 | 968702009 | * SCREW (8-16 x 5/8 in. PAN HD.)..... | 2 |
| 4 | 630801001 | BRUSH TUBE CLAMP | 2 |
| 5 | 968173001 | BRUSH TUBE ASSEMBLY | 2 |
| 6 | 660164001 | * SCREW (M3.5 X 16 mm)..... | 3 |
| 7 | 513360001 | SWITCH COVER..... | 1 |
| 8 | 760245004 | SWITCH, ON-OFF ASSEMBLY | 1 |
| 9 | 513359001 | MOTOR HOUSING | 1 |
| 10 | 983645005 | SCREW (M4 x 18 mm PAN HD.)..... | 1 |
| 11 | 990924001 | BALL BEARING (NTN 608ZZ C3/1E)..... | 1 |
| 12 | 740763001 | FIELD ASSEMBLY | 1 |
| 13 | 660101004 | * SCREW (8-10 X 2-1/2 in. PAN HD.) | 2 |
| 14 | 513363001 | FAN SHROUD..... | 1 |
| 15 | 730377019 | POWER CORD | 1 |
| 16 | 740764001 | ARMATURE ASSEMBLY..... | 1 |
| 17 | 982897016 | RETAINING RING..... | 2 |
| 18 | 570569001 | GROMMET | 1 |
| 19 | 680769003 | BALL BEARING | 1 |
| 20 | 900721001 | FELT SEAL | 1 |
| 21 | 900098001 | FIBRE WASHER RING..... | 1 |
| 22 | 550339001 | RUBBER PLUG | 1 |
| 23 | 640958004 | GEAR BOX..... | 1 |
| 24 | 670058002 | FLANGE BEARING | 1 |
| 25 | 671829001 | WASHER..... | 1 |
| 26 | 610481001 | GEAR | 1 |
| 27 | 671739001 | CLUTCH | 1 |
| 28 | 671743001 | SPRING | 8 |
| 29 | 671400003 | BALL (5.96 mm)..... | 8 |
| 30 | 670514002 | CLUTCH PLATE..... | 1 |
| 31 | 620403001 | OUTPUT SHAFT | 1 |
| 32 | 680769004 | BALL BEARING (6003) | 1 |
| 33 | 901110001 | GASKET..... | 1 |
| 34 | 640958003 | GEAR CASE..... | 1 |
| 35 | 983660009 | * SCREW (M5 x 14 mm)..... | 3 |
| 36 | 690009001 | PLUG (6 mm x 17 mm) | 8 |
| 37 | 290147007 | MOTOR ASSEMBLY (INC. KEY NOS. 12 AND 16)..... | 1 |
| | 983000658 | OPERATOR'S MANUAL (960994001) | |
| | 983000690 | REPLACEMENT PARTS LIST | |
| | 983000658R | REPAIR SHEET (REV:06) | |
| | 03-02-06 | | |

* Standard Hardware Item – May Be Purchased Locally

**RYOBI ELECTRIC CULTIVATOR
MODEL NUMBER RY46501A**



WIRING DIAGRAM