

For Parts Call 606-678-9623 or 606-561-4983

**RYOBI**  
**TP30 Gas Pruner**  
**MODEL NO. RY52014**  
**REPAIR SHEET**



RYOBI TP30 GAS PRUNER MODEL NO. RY52014

**PARTS LIST (FIGURE A)**

KEY NO.	PART NUMBER	DESCRIPTION	QTY	KEY NO.	PART NUMBER	DESCRIPTION	QTY
1	870170001	SPARK PLUG (*CHAMPION RCJ4) .....	1	18	308224001	STRAP HANGER (TP30) .....	1
2	940967004	STARTING LABEL.....	1	19	678016001	* HEX NUT (1/4-20) .....	2
3	518096001	AIR BOX COVER .....	1	20	678013001	WASHER .....	2
4	900952001	AIR FILTER ELEMENT .....	1	21	638014001	HANDLE BAR CLAMP .....	2
5	760363002	SWITCH (MOMENTARY CONTACT).....	1	22	660643002	* BOLT (1/4-20 X 1 in. HEX HD.) .....	1
6	940643011	MODEL LABEL (TP30).....	1	23	660643001	* BOLT (1/4-20 X 1-1/2 in. HEX HD.) .....	1
7	300758006	FUEL CAP ASSEMBLY .....	1	24	308046001	"J" HANDLE AND GRIP .....	1
8	940299600	LOGO PLATE.....	1	25	678012001	LOCK WASHER.....	2
9	940654012	WARNING DECAL (TP30).....	1	26	308487001	SHOULDER STRAP.....	1
10	000998248	UPPER BOOM ASSEMBLY (TP30).....	1	27	518019001	HANGER CAP .....	1
11	000998236	CONTROL HANDLE ASSEMBLY.....	1	28	660616001	* SCREW (10-24 X 7/8 in.) .....	1
12	660618002	* SCREW (10-14 X 1 in.) .....	9	29	940330006	CHOKE LABEL .....	1
13	518011002	TRIGGER LOCK .....	1	30	660881001	COMBINATION WRENCH .....	1
14	518012002	TRIGGER .....	1		983000882	OPERATOR'S MANUAL (961031001)	
15	678021001	TORSION SPRING .....	1		983000882R	REPAIR SHEET (REV:00)	
16	678252001	COMPRESSION SPRING.....	1		02-09-06		
17	308439001	THROTTLE AND LEAD ASSEMBLY .....	1				

\* STANDARD HARDWARE ITEM – MAY BE PURCHASED LOCALLY

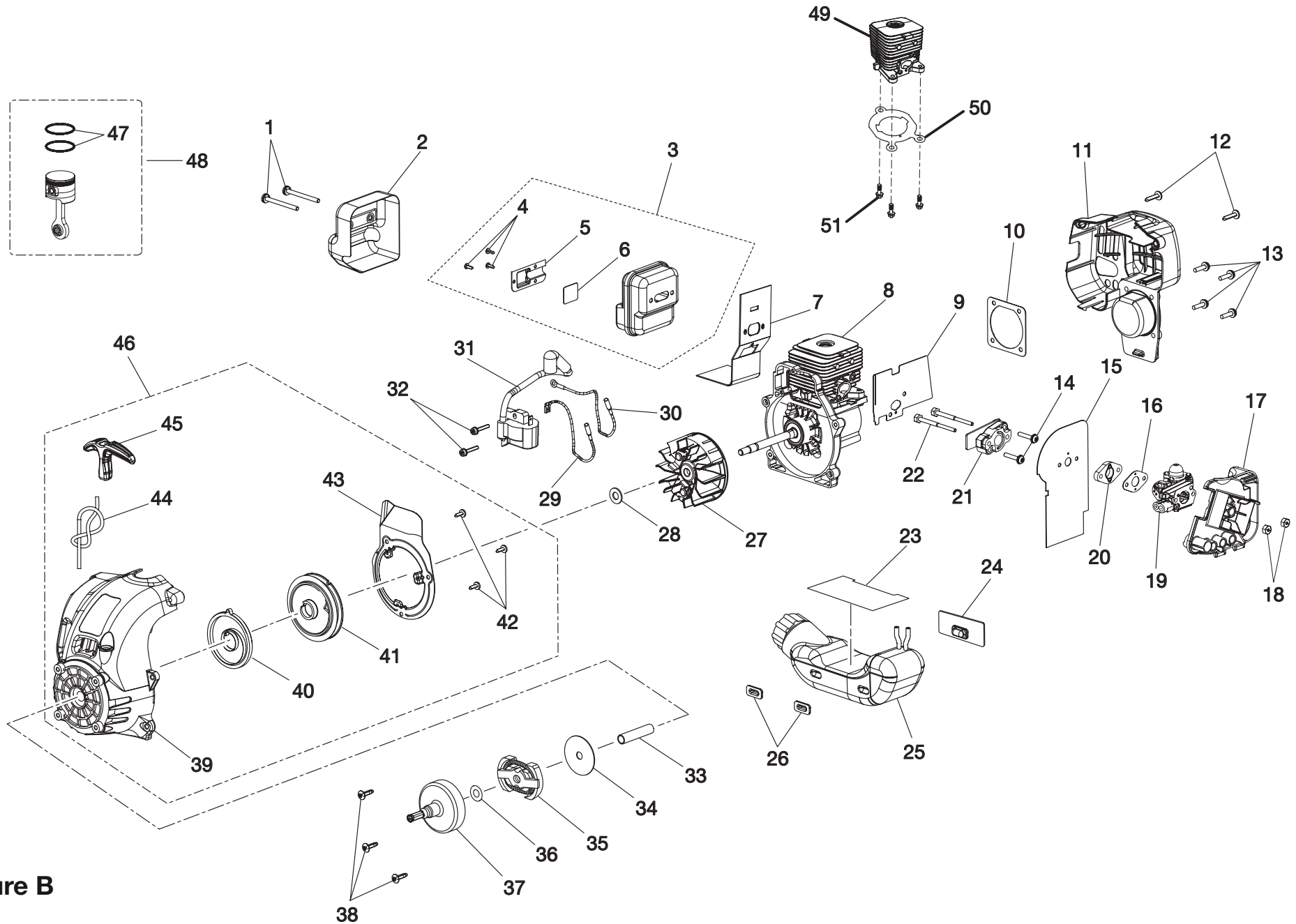


Figure B

**PARTS LIST (FIGURE B)**

KEY NO.	PART NUMBER	DESCRIPTION	QTY	KEY NO.	PART NUMBER	DESCRIPTION	QTY
1	660638003	* SCREW (10-24 X 2-1/8 in. TORX TR. HD. )	2	27	308433001	ROTOR W/PAWLS ASSEMBLY	1
2	638094001	HEAT SHIELD	1	28	650017001	WASHER	1
3	308092008	MUFFLER ASSEMBLY	1	29	290222001	LEAD W/TERMINALS	1
4	660870001	SCREW (RECESSED PAN HD.)	3	30	290223001	LEAD W/TERMINALS	1
5	638044001	OUTLET TUBE	1	31	308389002	IGNITION MODULE W/3 SEC. KILL SWITCH.	1
6	638268001	SCREEN	1	32	660660001	SCREW (8-32 THD FORMING)	2
7	900994006	MUFFLER GASKET	1	33	638091002	SPACER TUBE	1
8	308192004	SHORT BLOCK ASSEMBLY (30 cc) (EXTERNAL GASKETS NOT INCLUDED)	1	34	638090001	WASHER (PKG)	1
9	900994010	INTAKE GASKET	1	35	300960002	CLUTCH ASSEMBLY	1
10	900954001	COVER GASKET	1	36	678257001	CLUTCH WASHER	1
11	518107003	REAR HOUSING	1	37	308177001	DRUM AND CONNECTOR	1
12	660674001	* SCREW (10-14 X 7/8 in. TRUSS HD. T.F.)	2	38	660630002	* SCREW (10-24 X 3/4 in.)	3
13	660638004	* SCREW W/LOCK WASHER (10-24 X 3/4 in. PAN HD. TORX)	4	39	308436001	STARTER HOUSING AND EYELET ASSEMBLY	1
14	660662001	SCREW (10-24 PAN HD.)	2	40	638033001	SPRING AND CONTAINER	1
15	900740002	CARBURETOR GASKET	1	41	308374001	STARTER PULLEY ASSEMBLY	1
16	900994004	CARBURETOR GASKET (NON-STRATO)	1	42	660694001	SCREW (THREAD FORMING)	3
17	518094001	AIR FILTER BASE	1	43	638229001	BAFFLE/ISOLATOR	1
18	678027001	* LOCK NUT (10-24)	2	44	900849002	STARTER ROPE 42 (PKG)	1
19	308054004	CARBURETOR ASSEMBLY	1	45	511731001	STARTER GRIP	1
20	590456003	SPACER	1	46	308194004	STARTER HOUSING ASSEMBLY	1
21	518070001	HEAT DAM	1	47	690161005	PISTON RING	2
22	660346002	CARBURETOR MOUNTING BOLT (#10 X 2-1/2 in.)	2	48	308023003	PISTON W/ROD ASSEMBLY	1
23	900999002	TANK INSULATION GASKET	1	49	640069002	CYLINDER, 30CC	1
24	570549001	RUBBER BUMPER	1	50	900953001	CYLINDER GASKET	1
25	308181005	FUEL TANK ASSEMBLY W/CAP	1	51	660342002	* SCREW (M5 X 20 mm)	3
26	570256001	BUMPER	2				

\* STANDARD HARDWARE ITEM – MAY BE PURCHASED LOCALLY

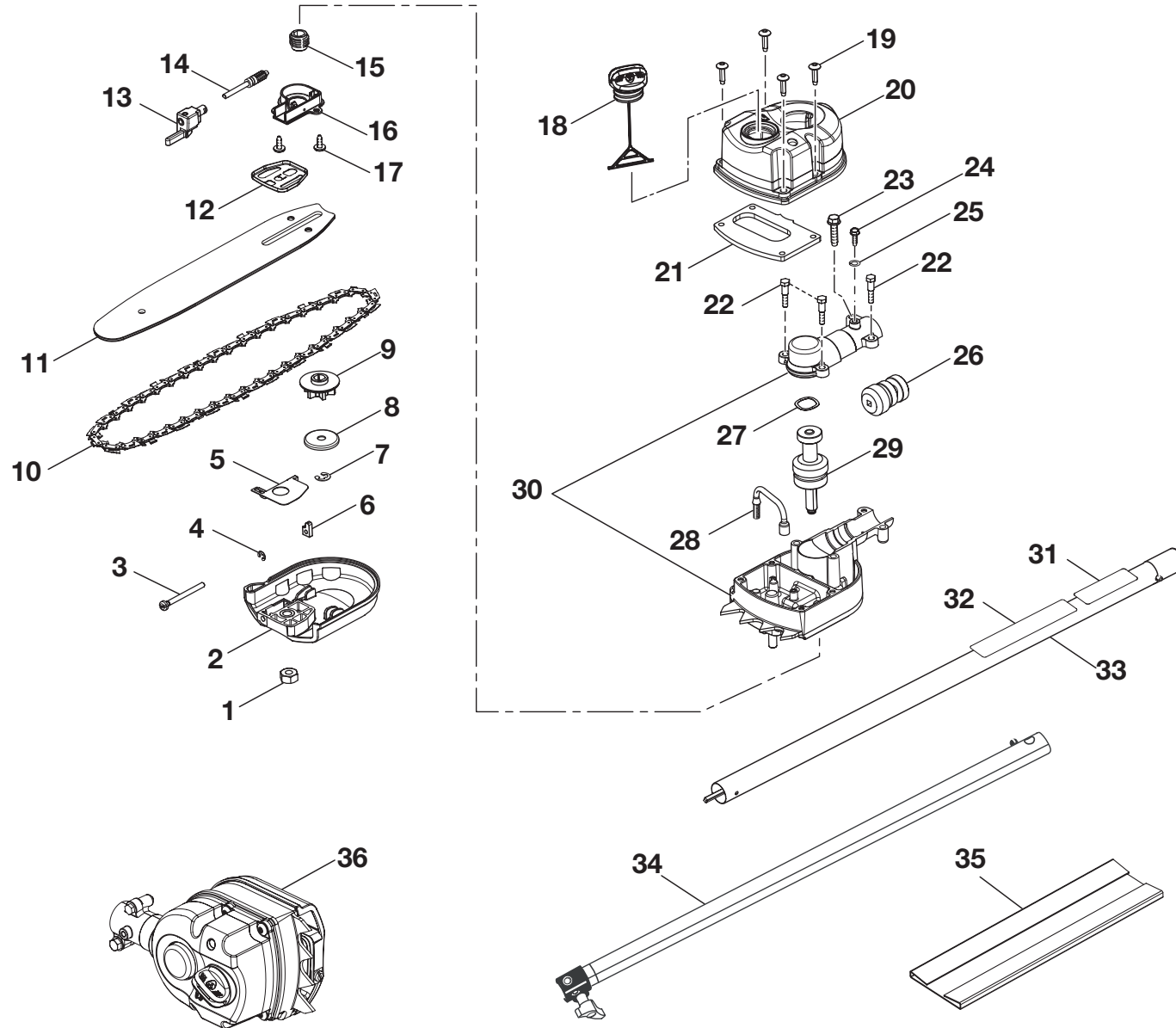


Figure C

**PARTS LIST (FIGURE C)**

KEY NO.	PART NUMBER	DESCRIPTION	QTY	KEY NO.	PART NUMBER	DESCRIPTION	QTY
1	090038001023	* HEX NUT (M8) .....	1	20	090038001003	OIL TANK COVER ASSEMBLY .....	1
2	090038001022	BAR CLAMP ASSEMBLY .....	1	21	090038001004	OIL COVER GASKET .....	1
3	090038001024	GUIDE BAR ADJUSTMENT SCREW (M5 X 50 mm) .....	1	22	090038001005	* SCREW (M5 X 25 mm, SHOULDER SCREW) .	3
4	090038001025	* RETAINING RING (4 mm) .....	1	23	090038001006	* SCREW (M5 X 25 mm) .....	1
5	090038001026	GUIDE BAR PLATE.....	1	24	099078001030	* SCREW (M5 X 15 mm) .....	1
6	090038001021	GUIDE BAR ADJUSTING PIN (M5) .....	1	25	099078001031	* SPRING WASHER (M5) .....	1
7	090038001020	* E-RING (6 mm) .....	2	26	090038001011	PINION GEAR ASSEMBLY .....	1
8	090038001019	CUPPED WASHER.....	1	27	090038001008	WAVY WASHER .....	1
9	090038001018	SPROCKET.....	1	28	090038001009	PICK-UP TUBE ASSEMBLY .....	1
10	690583002	CHAIN (3/8, .043, 10) .....	1	29	090038001014	OUTPUT SHAFT ASSEMBLY .....	1
11	671834006	GUIDE BAR .....	1	30	090038001042	GEAR CASE AND COVER ASSEMBLY .....	1
12	090038001028	BAR PAD PLATE.....	1	31	940627024	EXPAND-IT LABEL .....	1
13	090038001029	OIL PUMP SEAL ASSEMBLY .....	1	32	940654011	WARNING LABEL.....	1
14	090038001030	OIL PINION GEAR & PLUNGER.....	1	33	308425001	PRUNER BOOM ASSEMBLY (INCLUDES KEY. NOS. 31 AND 32).....	1
15	090038001015	WORM GEAR .....	1	34	308010006	INTERMEDIATE BOOM ASSEMBLY .....	1
16	090038001016	OIL PUMP HOUSING W/CAM PIN ASSEMBLY .	1	35	090038001032	BLADE COVER .....	1
17	090038001017	* SCREW (M5 X 13 mm) .....	2	36	308400002	PRUNER GEAR HEAD (INCLUDES KEY. NOS. 1-9 AND 12-30) .....	1
18	090038001001	OIL CAP WITH RETAINER (PKG.) .....	1				
19	090038001002	* SCREW (M5 X 18 mm) .....	4				

\* STANDARD HARDWARE ITEM – MAY BE PURCHASED LOCALLY