

For Parts Call 606-678-9623 or 606-561-4983

Homelite®

25cc STRING TRIMMERS

REPAIR SHEET

TrimLite™ – UT20002, UT20002A, UT20003A

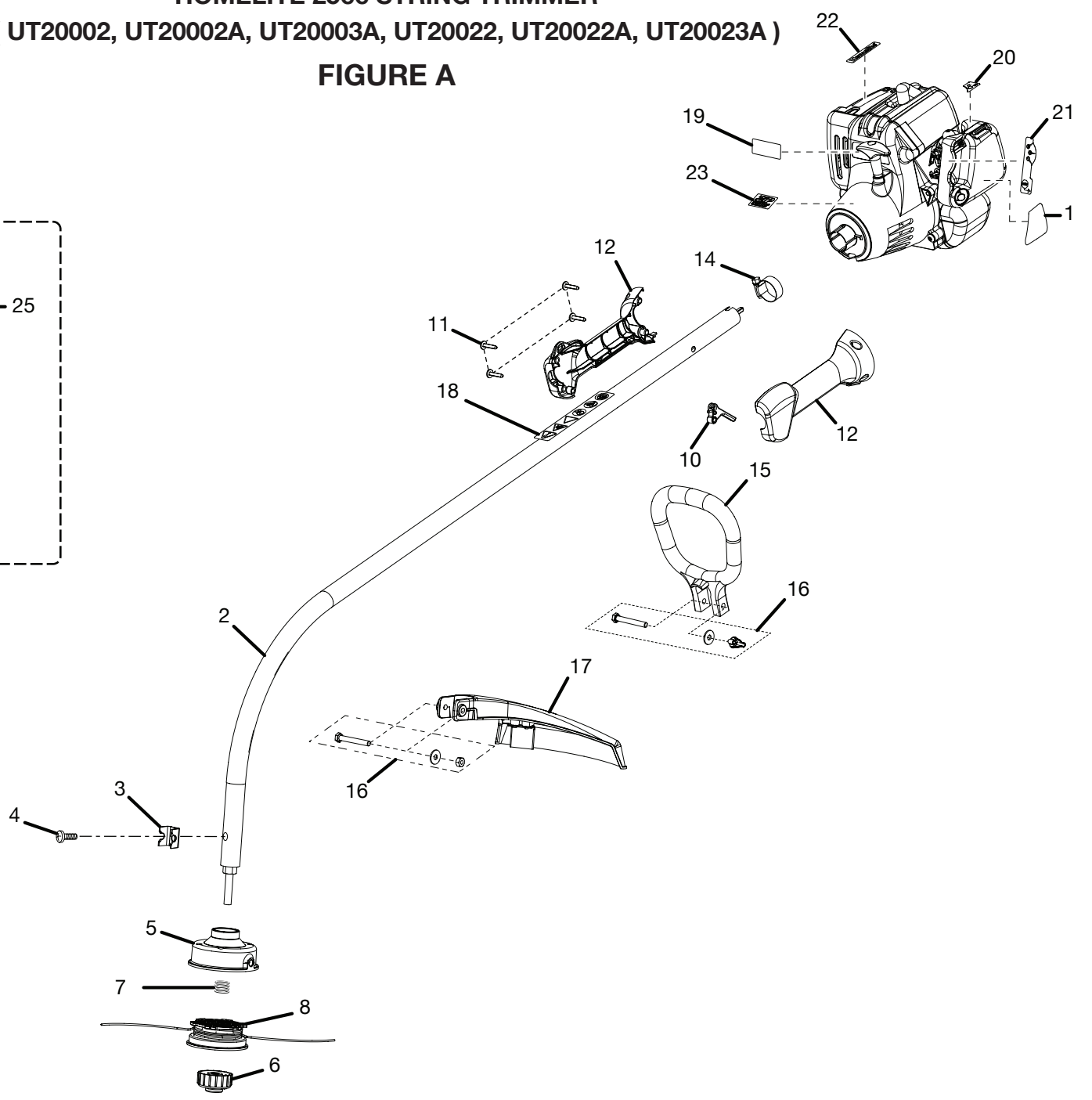
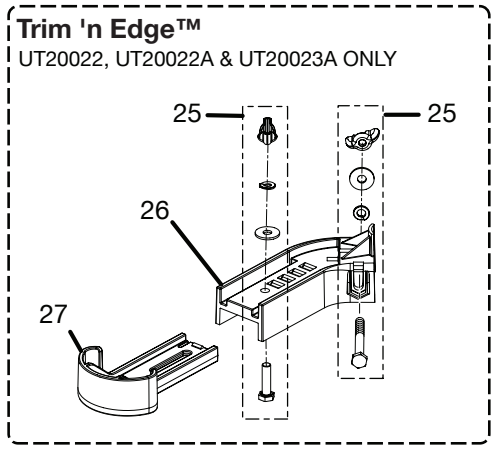
Trim 'n Edge™ – UT20022, UT20022A, UT20023A

EZ Reach™ – UT20042, UT20042A, UT20043A

www.mymowerparts.com

HOMELITE 25cc STRING TRIMMER
(UT20002, UT20002A, UT20003A, UT20022, UT20022A, UT20023A)

FIGURE A



HOMELITE 25cc STRING TRIMMER

REPLACEMENT PARTS
FIGURE A

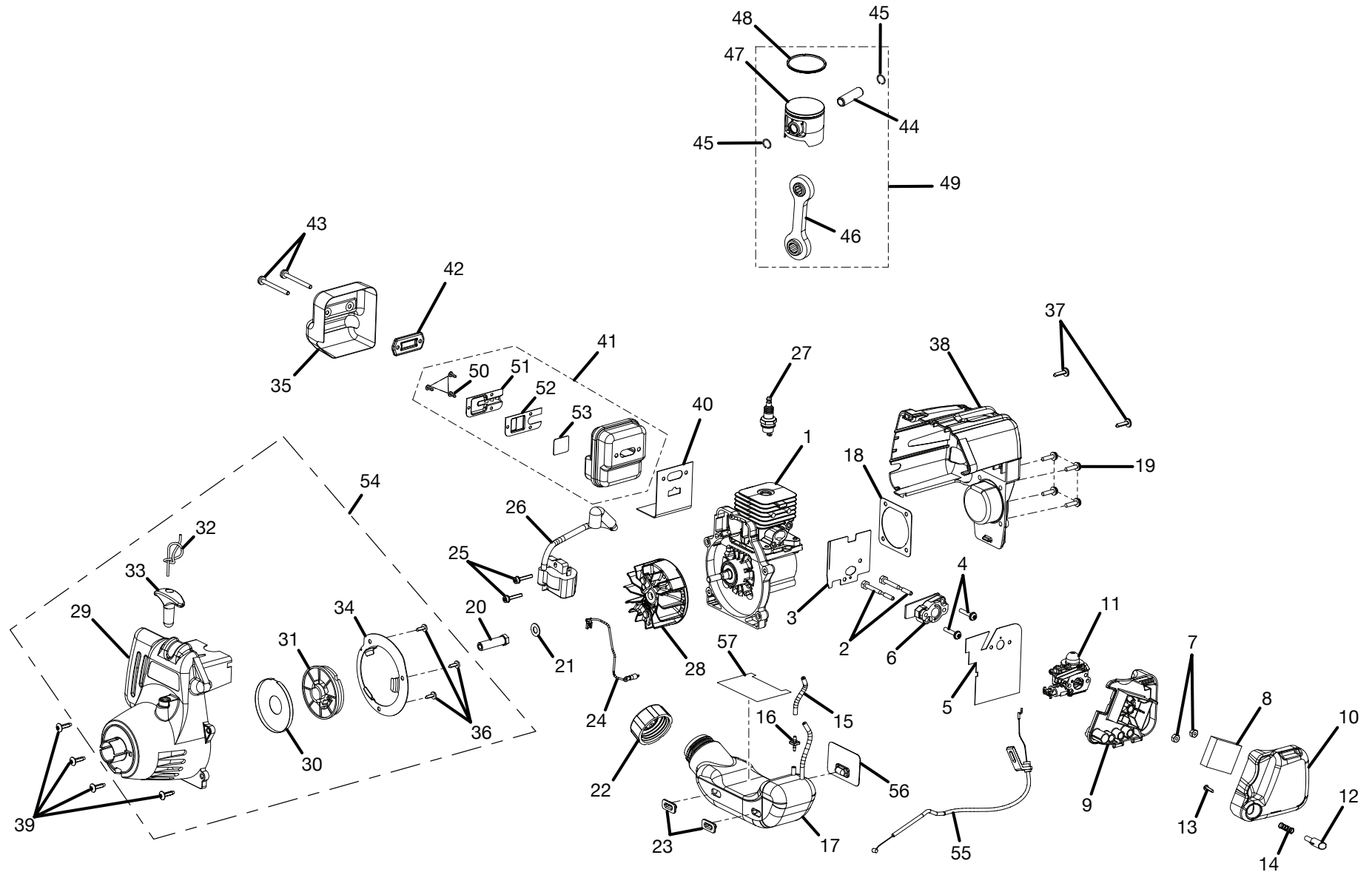
PARTS LIST

KEY NO.	PART NUMBER	DESCRIPTION	QTY.	KEY NO.	PART NUMBER	DESCRIPTION	QTY.
	984772001	POWER HEAD, UT20002, UT20022, UT20042...	1	16	PA00249	FASTENER PARTS KIT	1
	984772003	UT20002A, UT20022A, UT20042A.....	1	17	985623002	GRASS DEFLECTOR ASSEMBLY	1
	984772004	UT20003A, UT20023A, UT20043A.....	1	18	984032001	DECAL, WARNING/STARTING BOOM.....	1
1	985591001	STARTING INSTRUCTION DECAL	1	19	983837001	DECAL, TRIMLITE LOGO	1
2	985380001	CURVED SHAFT ASSEMBLY	1		983838001	DECAL, TRIM-N-EDGE	
3	07928	CLAMP.....	1		983839001	DECAL, EASY REACH	
4	983823001	* SCREW (10-32 x 3/8 in.)	1	20	985595001	DECAL, PRIMER	1
5	A98231A	HOUSING AND EYELET	1	21	985589001	DECAL, CHOKE.....	1
6	A98866A	SPOOL RETAINER (RH).....	1	22	07184	DECAL, HOMELITE	1
7	06713	COMPRESSION SPRING	1	23	983840001	LABEL, ZIP START	1
8	PA0387A	SPOOL W/LINE.....	1			(Trim 'n Edge™ & EZ Reach™ ONLY)	
10	983815001	TRIGGER	1	25	A09361	FASTENER PARTS KIT	1
11	82537	* SCREW (10-14 x 7/8 in. TRUSS HD.)	4	26	09310	EDGER BASE	1
12	UP03091A	HANDLE GRIP ASSEMBLY	1	27	09311	EDGER GUIDE.....	1
14	PS01611	BOOM CLAMP	1				
15	98822A	FRONT HANDLE.....	1				

* STANDARD HARDWARE ITEM - MAY BE PURCHASED LOCALLY

HOMELITE 25cc STRING TRIMMER

FIGURE B



HOMELITE 25cc STRING TRIMMER

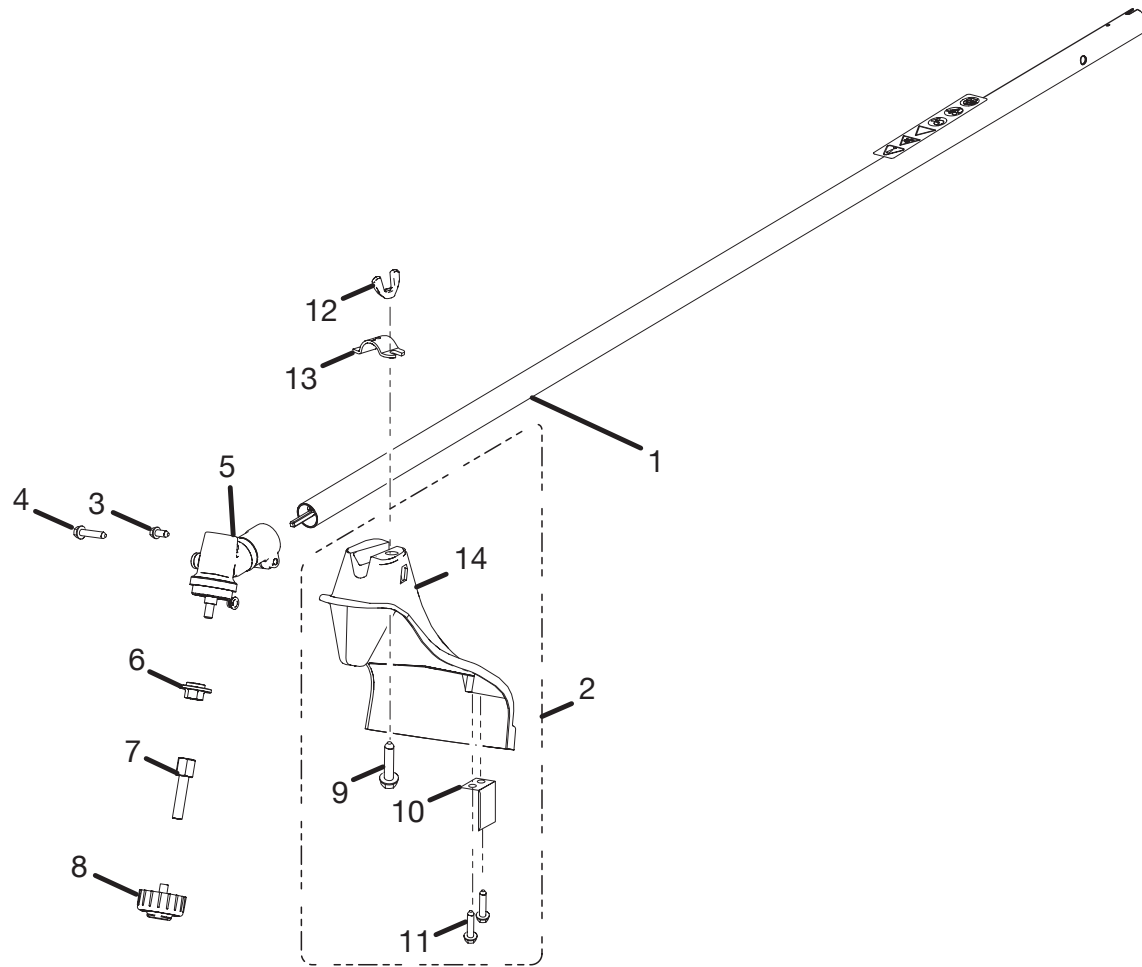
REPLACEMENT PARTS – FIGURE B

KEY NO.	PART NUMBER	DESCRIPTION	QTY.	KEY NO.	PART NUMBER	DESCRIPTION	QTY.
1	985394001	SHORT BLOCK ASSEMBLY (984772001).....	1	30	A98773A	SPRING AND CONTAINER.....	1
	984773001	SHORT BLOCK ASSEMBLY (984772003 & 004)..	1	31	98770A	STARTER PULLEY.....	1
2	04474	CARBURETOR BOLTS.....	2	32	9789902	STARTER ROPE.....	1
3	984762001	INTAKE GASKET.....	1	33	PS06114	STARTER GRIP.....	1
4	093221	* SCREW (10-24 X 1-1/16 in. PAN HD.).....	2	34	PS00326	BAFFLE.....	1
5	9074001	CARBURETOR GASKET.....	1	35	984743001	HEAT SHIELD (CARB. UNIT).....	1
6	98768A	HEAT DAM.....	1	36	82543	* SCREW (8-16 X 1/2 in. THREAD FORMING).....	3
7	81208	* LOCK NUT (10-24).....	2	37	82563	* SCREW (10-14 X 3/4 in. THREAD FORMING).....	2
8	98760	AIR FILTER.....	1	38	984740001	REAR HOUSING.....	1
9	PS02113	AIR FILTER BOX.....	1	39	82538	* SCREW (10-24 X 3/4 in. TRUSS HD.).....	4
10	PS02156	AIR BOX COVER.....	1	40	984760001	MUFFLER GASKET.....	1
11	985624001	CABURETOR ASSEMBLY.....	1	41	985612001	NON-CATALYTIC MUFFLER ASSEMBLY (INCL. KEY NO. 50 THRU 53) 984772001 & 003	1
12	06618A	BUTTON SWITCH.....	1		985611001	CATALYTIC MUFFLER ASSEMBLY.....	1
13	82513	SCREW, (6-19 x 1/2 in. T.F.).....	1			(INCL. KEY NO. 50 THRU 53) 984772004.....	1
14	95020A	COMPRESSION SPRING.....	1	42	07185	REINFORCEMENT PLATE (EPA UNIT).....	1
15	0143910	RUBBER TUBING.....	1	43	88083	* SCREW (10-24 X 2-3/16 in. TORX HD.).....	2
16	985304001	INLINE FUEL FITTING.....	1	44	00238A	PIN, PISTON.....	1
17	PA00116	FUEL TANK.....	1	45	6969102	CLIP RING.....	2
18	06443A	CRANK CASE COVER GASKET.....	1	46	PA00190	CONNECTING ROD ASSEMBLY.....	1
19	984812001	* SCREW (10-24 X 3/4 in. PAN HD. TORX W/LW) ..	4	47	984228001	PISTON, 25cc.....	1
20	98795A	DRIVE CONNECTOR.....	1	48	PS04468	PISTON RING.....	1
21	PS84065	FLAT WASHER.....	1	49	3081102	PISTON ASSEMBLY.....	1
22	985210001	FUEL CAP ASSEMBLY.....	1			(INCLUDES KEY NO. 44-48)	
23	98792	BUMPER (POWER HEAD 984772001).....	3	50	984759001	* SCREW (6-20 x 1/4 in. PAN HD.).....	3
		(POWER HEAD 984772003 & 004).....	2	51	984757001	OUTLET TUBE.....	1
24	A07238	LEAD W/TERMINALS.....	1	52	984755001	SCREEN PLATE.....	1
25	82540	* SCREW (8-32 X 1 in. THREAD FORMING).....	2	53	984753001	SCREEN.....	1
26	94711C	IGNITION MODULE (USED WITH 984772001 POWER HEAD).....	1	54	985543001	COMPLETE STARTER ASSEMBLY.....	1
	4306401	IGNITION MODULE (USED WITH 984772003 & 004, POWER HEAD)....	1	55	0883202	THROTTLE CABLE W/HANGER.....	1
27	PS02227	SPARK PLUG.....	1	56	985767001	BUMPER (USED WITH 984772003 & 004, POWER HEAD) ...	1
28	984531001	ROTOR AND PAWL ASSEMBLY.....	1	57	900999002	GASKET (USED WITH 984772004, POWER HEAD).....	1
29	3075303	STARTER HOUSING ASSEMBLY.....	1				

* STANDARD HARDWARE ITEM – MAY BE PURCHASED LOCALLY

HOMELITE 25cc STRING TRIMMER

FIGURE C
(UT20042, UT20042A & UT20043A)



HOMELITE 25cc STRING TRIMMER

**REPLACEMENT PARTS
FIGURE C**

PARTS LIST

KEY NO.	PART NUMBER	DESCRIPTION	QTY.
1	985381001	STRAIGHT SHAFT ASSEMBLY	1
2	984821001	GRASS SHIELD ASSEMBLY (INCLUDES HARDWARE).....	1
3	PS04673	* SCREW (10-24 x 5/8 in.)	1
4	983381007	* SCREW (10-24 x 1-1/4 in.).....	1
5	984244001	GEAR HEAD.....	1
6	984931001	WASHER.....	1
7	PS04438	SHAFT ADAPTER	1
8	A97910A	SPOOL RETAINER (LH)	1
9	PS02435	SCREW, SQUARE HEAD	1
10	07129	CUT OFF BLADE	1
11	82546	SCREW	2
12	PS02453	WING NUT	1
13	PS02391	SHIELD CLAMP	1
14	984822001	GRASS SHIELD	1
	983000337	OPERATOR'S MANUAL	
	983000461	CUSTOMER SHEET (REV:00)	
	11-10-04		

* STANDARD HARDWARE ITEM - MAY BE PURCHASED LOCALLY

For Parts Call 606-678-9623 or 606-561-4983

HOMELITE CONSUMER PRODUCTS, INC.

1428 Pearman Dairy Road Anderson, SC 29625

Post Office Box 1207, Anderson, SC 29622

Phone 1-800-chainsa (1-800-242-4672)

www.homelite.com

www.mymowerparts.com