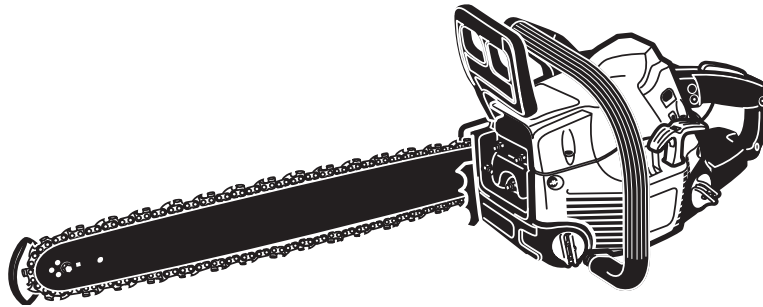


For Parts Call 606-678-9623 or 606-561-4983

# RYOBI®

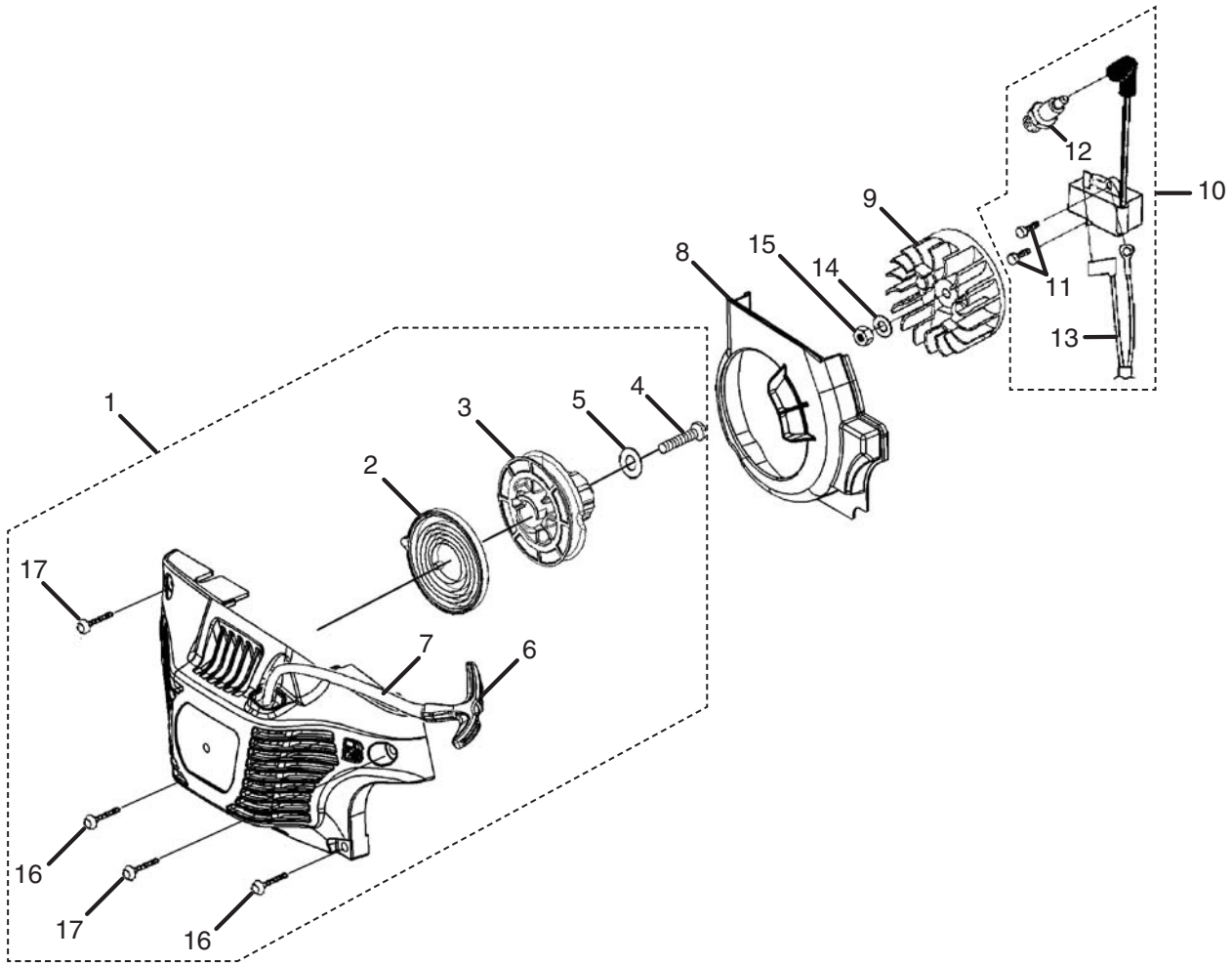


## MODELS

|               |          |
|---------------|----------|
| 38cc – 16 in. | RY74005D |
| 45cc – 18 in. | RY74007D |

[www.mymowerparts.com](http://www.mymowerparts.com)

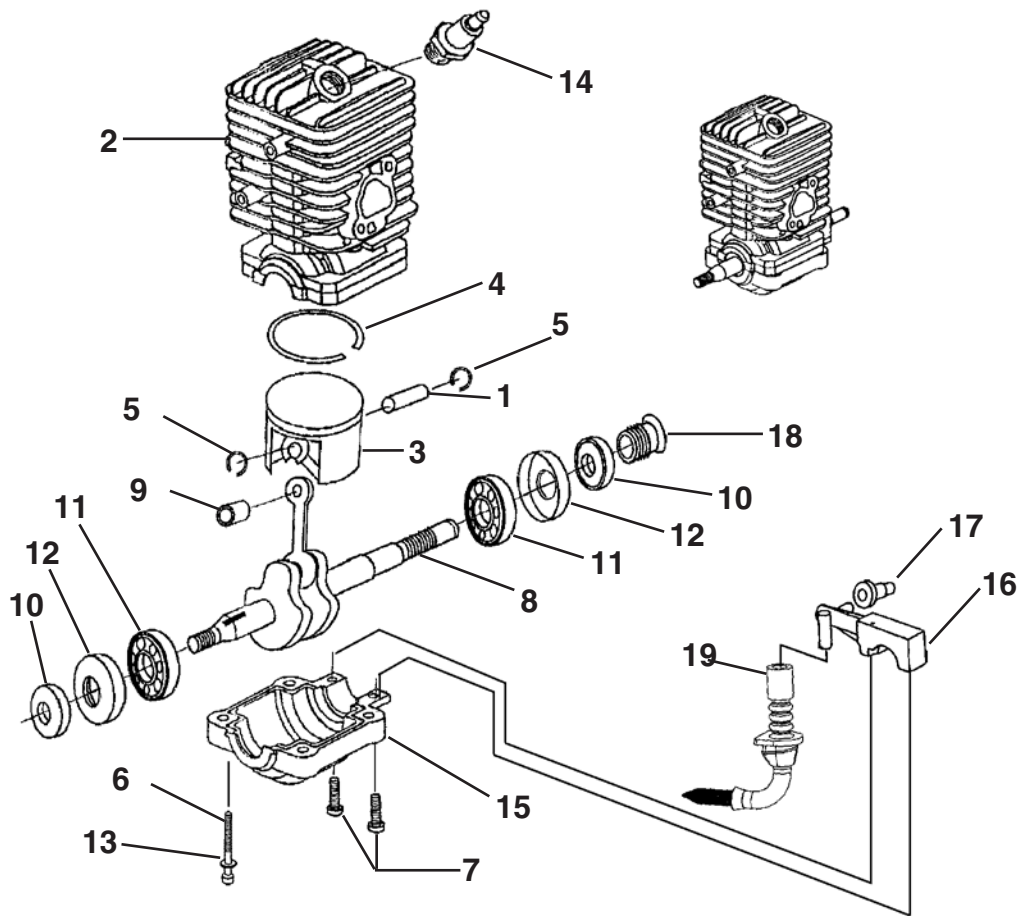
## STARTER – IGNITION



| NO. | PART NO.  | DESCRIPTION                   | QTY. |
|-----|-----------|-------------------------------|------|
| 1   | 985242001 | STARTER COVER ASSY., W/EYELET | 1    |
| 2   | PA01330   | SPRING & CONTAINER            | 1    |
| 3   | PS03882   | PULLEY, STARTER               | 1    |
| 4   | 82621     | SCREW (10-14 x 5/8 in.)       | 1    |
| 5   | 94062     | WASHER                        | 1    |
| 6   | PS06114   | GRIP, STARTER                 | 1    |
| 7   | 9789901   | ROPE, STARTER (46 in.)        | 1    |
| 8   | PS03984   | BAFFLE                        | 1    |
| 9   | PA00695   | ROTOR W/STARTER PAWL          | 1    |
| 10  | 984883001 | IGNITION KIT                  | 1    |
| 11  | 82575     | SCREW (8-32 x 5/8 in.)        | 2    |
| 12  | PS06216   | SPARK PLUG                    | 1    |
| 13  | PA01311   | IGNITION SWITCH HARNESS       | 1    |
| 14  | PS84065   | WASHER                        | 1    |
| 15  | 81229A    | NUT                           | 1    |
| 16  | 82620     | SCREW (10-14 x 7/8 in.)       | 2    |
| 17  | 82621     | SCREW (10-14 x 5/8 in.)       | 2    |

| ITEM NO. | TORQUE SPECS. in./lbs. | TORQUE SPECS. nm | REQUIRED LOCTITE |
|----------|------------------------|------------------|------------------|
| 4        | 30-40                  | 3.4-4.5          |                  |
| 11       | 30-40                  | 3.4-4.5          | 242 blue         |
| 12       | 120-180                | 13.6-20.3        |                  |
| 15       | 100-150                | 11.3-20.3        |                  |
| 16       | 30-40                  | 3.4-4.5          |                  |
| 17       | 30-40                  | 3.4-4.5          |                  |

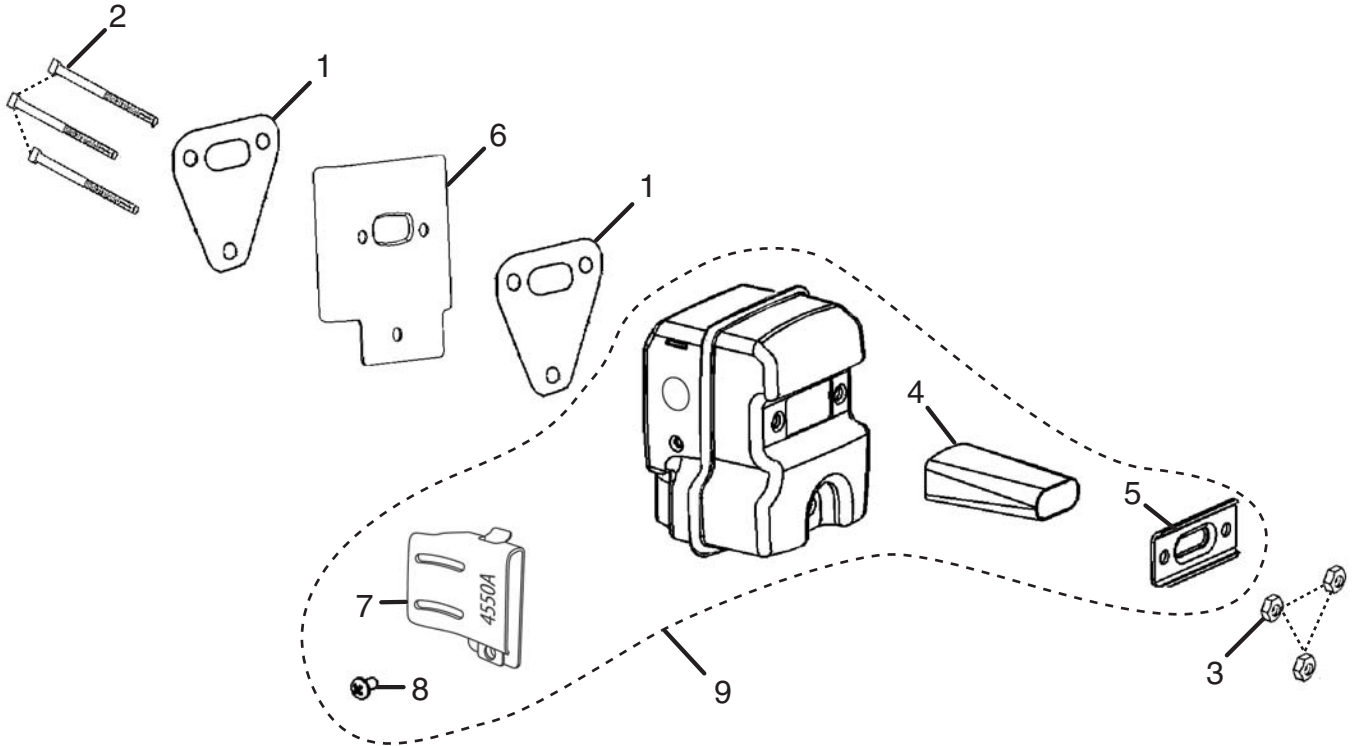
## ENGINE INTERNAL - OIL PUMP



| NO. | PART NO. | DESCRIPTION                          | QTY. |
|-----|----------|--------------------------------------|------|
| 1   | 04923    | PISTON RING                          | 1    |
| 2   | PS04368  | CYLINDER MACH/PLATED                 | 1    |
| 3   | A09135   | 45CC PISTON (MACH)                   | 1    |
| 4   | 09082    | PISTON RING                          | 1    |
| 5   | 64813    | RETAINING RING                       | 2    |
| 6   | 82527    | SCREW TORX PLUS CAP-SOCKET HD        | 4    |
| 7   | PS04989  | SCREW, (8/32 X 5/8 in. PAN HD TORX)  | 2    |
| 8   | PA00980  | 45CC SINTERED METAL CRANKSHAFT ASSY. | 1    |
| 9   | PS04921  | NEEDLE BEARING                       | 1    |
| 10  | 04920    | SHAFT SEAL                           | 2    |
| 11  | 08838    | BALL BEARING                         | 2    |
| 12  | 04919    | BEARING CASE                         | 2    |
| 13  | 84008    | FLAT WASHER                          | 4    |
| 14  | PS06216  | SPARK PLUG                           | 1    |
| 15  | 09097    | CRANKCASE (45CC) CS                  | 1    |
| 16  | PA01396  | OIL PUMP ASSEMBLY                    | 1    |
| 17  | 06841    | GROMMET, OIL OUTLET                  | 1    |
| 18  | 06847    | LEFT HAND WORM                       | 1    |
| 19  | PA01037  | OIL INTAKE TUBE W/FILTER             | 1    |

| ITEM NO. | TORQUE SPECS. |           | REQUIRED LOCTITE |
|----------|---------------|-----------|------------------|
|          | in./lbs.      | nm        |                  |
| 6        | 65-75         | 7.3-8.5   | 242 blue         |
| 7        | 15-20         | 1.7-2.312 |                  |
| 14       | 120-180       | 13.6-20.3 |                  |

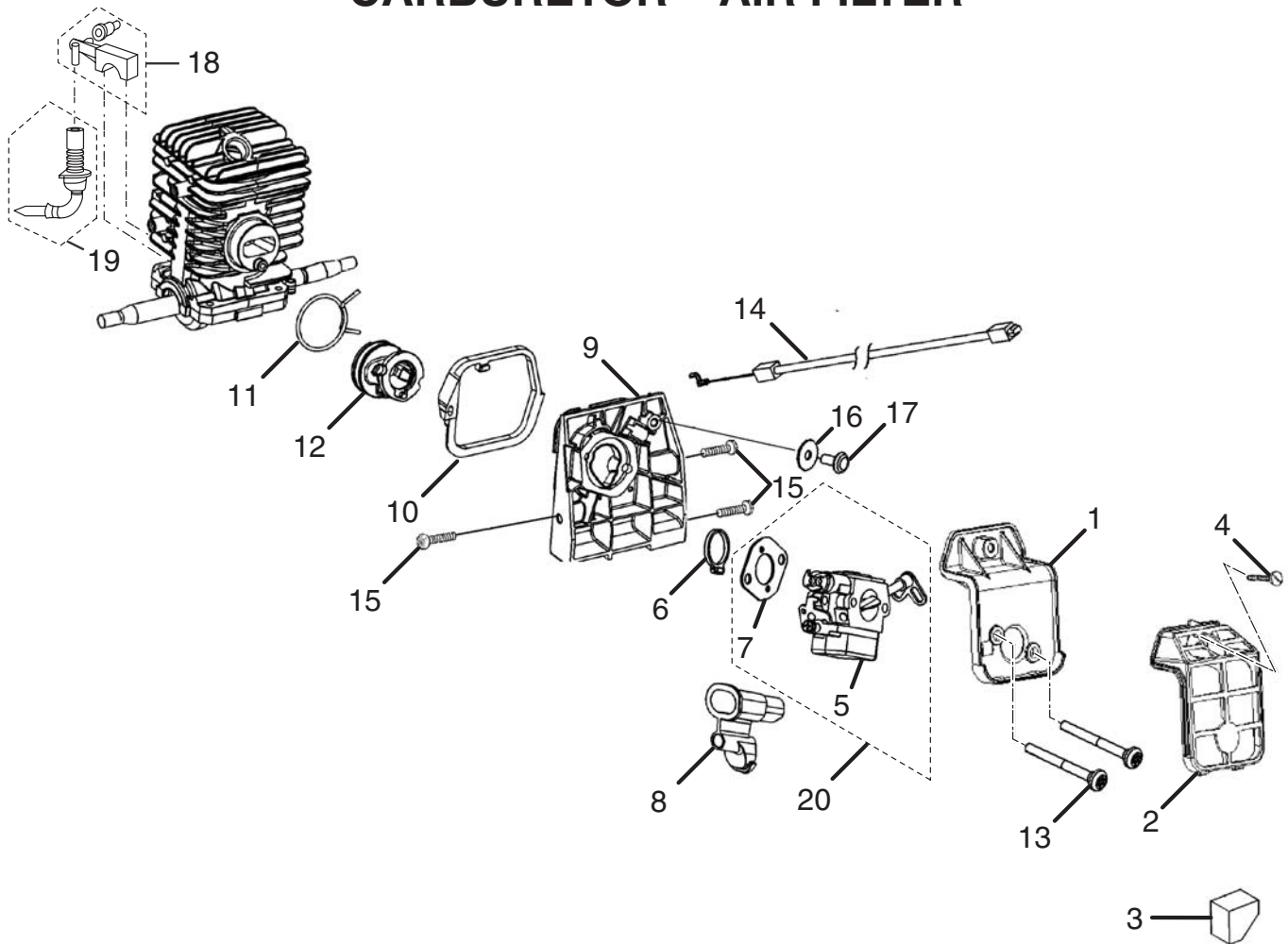
# MUFFLER



| NO. | PART NO. | DESCRIPTION                 | QTY. |
|-----|----------|-----------------------------|------|
| 1   | 06839    | MUFFLER GASKET              | 2    |
| 2   | PS04525  | SCREW-SQUARE HD.            | 3    |
| 3   | 81206    | NUT-LOCKING HEX (10-32)     | 3    |
| 4   | PS04350  | SCREEN, SPARK               | 1    |
| 5   | PS04147  | SCREEN RETAINER             | 1    |
| 6   | PS06121  | MUFFLER PLATE               | 1    |
| 7   | PS06075  | DEFLECTOR, MUFFLER          | 1    |
| 8   | 95922    | SCREW (8-32 x .312 PAN HD.) | 1    |
| 9   | PA01635  | MUFFLER ASSEMBLY            | 1    |

| ITEM NO. | TORQUE SPECS. |         | REQUIRED LOCTITE |
|----------|---------------|---------|------------------|
|          | in./lbs.      | nm      |                  |
| 3        | 50-60         | 5.6-6.7 |                  |

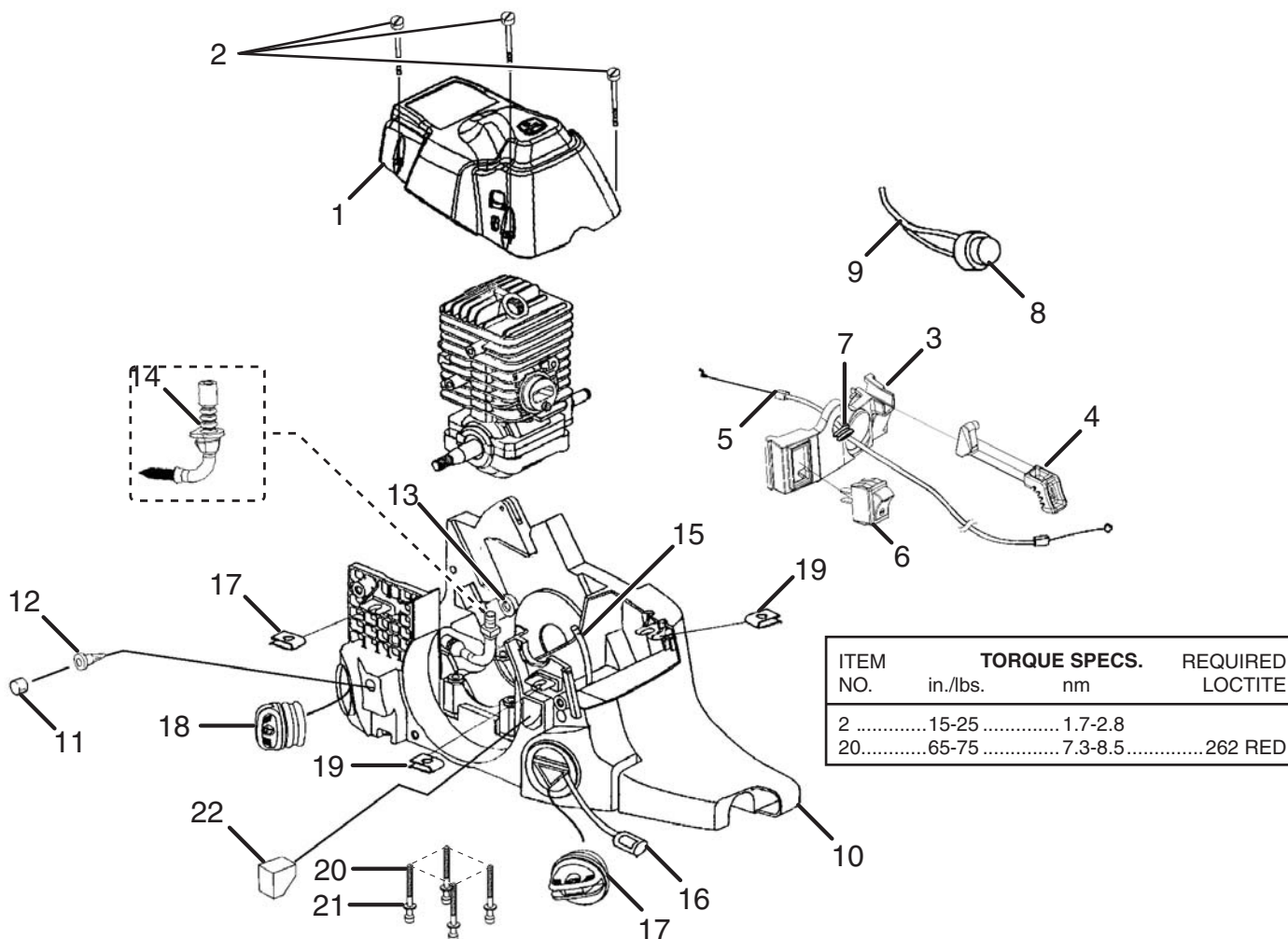
## CARBURETOR – AIR FILTER



| NO. | PART NO.  | DESCRIPTION                    | QTY. |
|-----|-----------|--------------------------------|------|
| 1   | PA01284   | AIR FILTER BASE                | 1    |
| 2   | PS02798   | AIR FILTER COVER               | 1    |
| 3   | PS05070   | PRE FILTER (IN ENGINE HOUSING) | 1    |
| 4   | 82617     | SCREW (8-16 x 5/8 in.)         | 1    |
| 5   | 985218001 | CARBURETOR                     | 1    |
| 6   | PS04375   | PLATE, CARBURETOR              | 1    |
| 7   | PS05105   | GASKET, CARBURETOR             | 1    |
| 8   | PS04371   | GROMMET, CARBURETOR            | 1    |
| 9   | PA01057   | ADAPTOR, CARBURETOR            | 1    |
| 10  | PS04374   | SEAL-CARB. ADAPTOR             | 1    |
| 11  | PS04309   | CLAMP                          | 1    |
| 12  | PS02794   | INTAKE BOOT                    | 1    |
| 13  | PS04446   | SCREW (10-32 x 1.75 mm)        | 2    |
| 14  | PS04377   | THROTTLE CABLE                 | 1    |
| 15  | 82563     | SCREW (TORX)                   | 3    |
| 16  | 12789     | WASHER                         | 1    |
| 17  | 82623     | SCREW                          | 1    |
| 18  | PA01396   | OIL PUMP ASSEMBLY              | 1    |
| 19  | PA01037   | OIL INTAKE W/FILTER            | 1    |
| 20  | 984888001 | CARBURETOR ASSEMBLY            | 1    |

| ITEM NO. | TORQUE SPECS.<br>in./lbs. | TORQUE SPECS.<br>nm | REQUIRED<br>LOCTITE |
|----------|---------------------------|---------------------|---------------------|
| 4        | 50-60                     | 6.5-6.7             |                     |
| 13       | 30-40                     | 3.4-4.5             |                     |
| 15       | 15-20                     | 1.7-2.3             |                     |
| 17       | 15-20                     | 1.7-2.3             |                     |

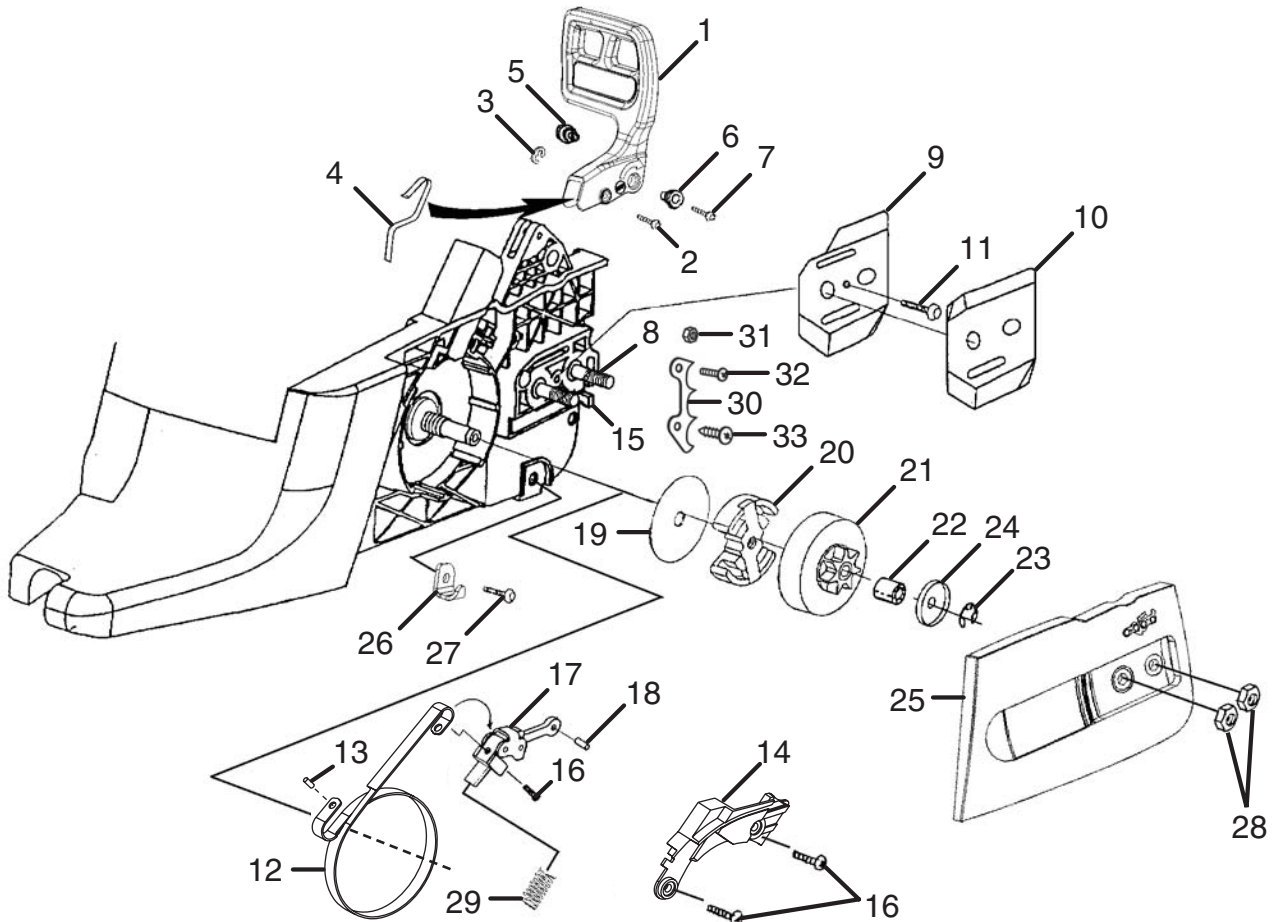
## ENGINE HOUSING – FUEL TANK – OIL TANK



| NO. | PART NO.  | DESCRIPTION                 | QTY. |
|-----|-----------|-----------------------------|------|
| 1   | 984363002 | CYLINDER COVER              | 1    |
| 2   | 07597     | SCREW (10-16 X 1.5 PAN HD.) | 3    |
| 3   | PS06119   | CONTROL PANEL               | 1    |
| 4   | PA01644   | ROD, CHOKE                  | 1    |
| 5   | PS04377   | THROTTLE CABLE              | 1    |
| 6   | PS06163   | SWITCH, ROCKER              | 1    |
| 7   | 07587     | GROMMET - SPLIT             | 2    |
| 8   | PS06164   | PRIMER BULB                 | 1    |
| 9   | 07454     | RUBBER TUBING (5-1/2 in.)   | 1    |
| 10  | 985028001 | CHASSIS ASSEMBLY (45CC)     | 1    |
| 11  | N/A       | ELEMENT, FILTER             | 2    |
| 12  | N/A       | DUCK BILL VALVE             | 2    |
| 13  | N/A       | OIL OUTLET GROMMET          | 1    |
| 14  | PA01037   | OIL INTAKE TUBE W/FILTER    | 1    |
| 15  | 07454     | RUBBER TUBING (8-1/2 in.)   | 1    |
| 16  | PS03380   | FUEL FILTER                 | 1    |
| 17  | N/A       | FUEL CAP W/RETAINER         | 1    |
| 18  | N/A       | OIL CAP W/RETAINER          | 1    |
|     | N/A       | GUIDE BAR BOLT (NOT SHOWN)  | 2    |

| NO. | PART NO.  | DESCRIPTION           | QTY. |
|-----|-----------|-----------------------|------|
| 19  | 07598     | SPEED NUT             | 3    |
| 20  | 82527     | SCREW (10-24 x 2 in.) | 4    |
| 21  | 84008     | WASHER                | 4    |
| 22  | PS05070   | PRE FILTER            | 1    |
|     | 984287001 | SOUND LEVEL DECAL     | 1    |
|     | 06976     | CE DECAL              | 1    |
|     | 983840001 | ZIP START DECAL       | 1    |
|     |           | DECALS: 16 in. (38cc) |      |
|     | PS06324   | SAFETY                | 1    |
|     | PS00340   | CHAIN BRAKE           | 1    |
|     | 984315001 | DRIVECASE COVER       | 1    |
|     | 984314001 | STARTER HOUSING       | 1    |
|     |           | DECALS: 18 in. (45cc) |      |
|     | PS06324   | SAFETY                | 1    |
|     | PS00340   | CHAIN BRAKE           | 1    |
|     | 984318001 | DRIVECASE COVER       | 1    |
|     | 984317001 | STARTER HOUSING       | 1    |

## CLUTCH – CHAIN BRAKE – DRIVE CASE COVER

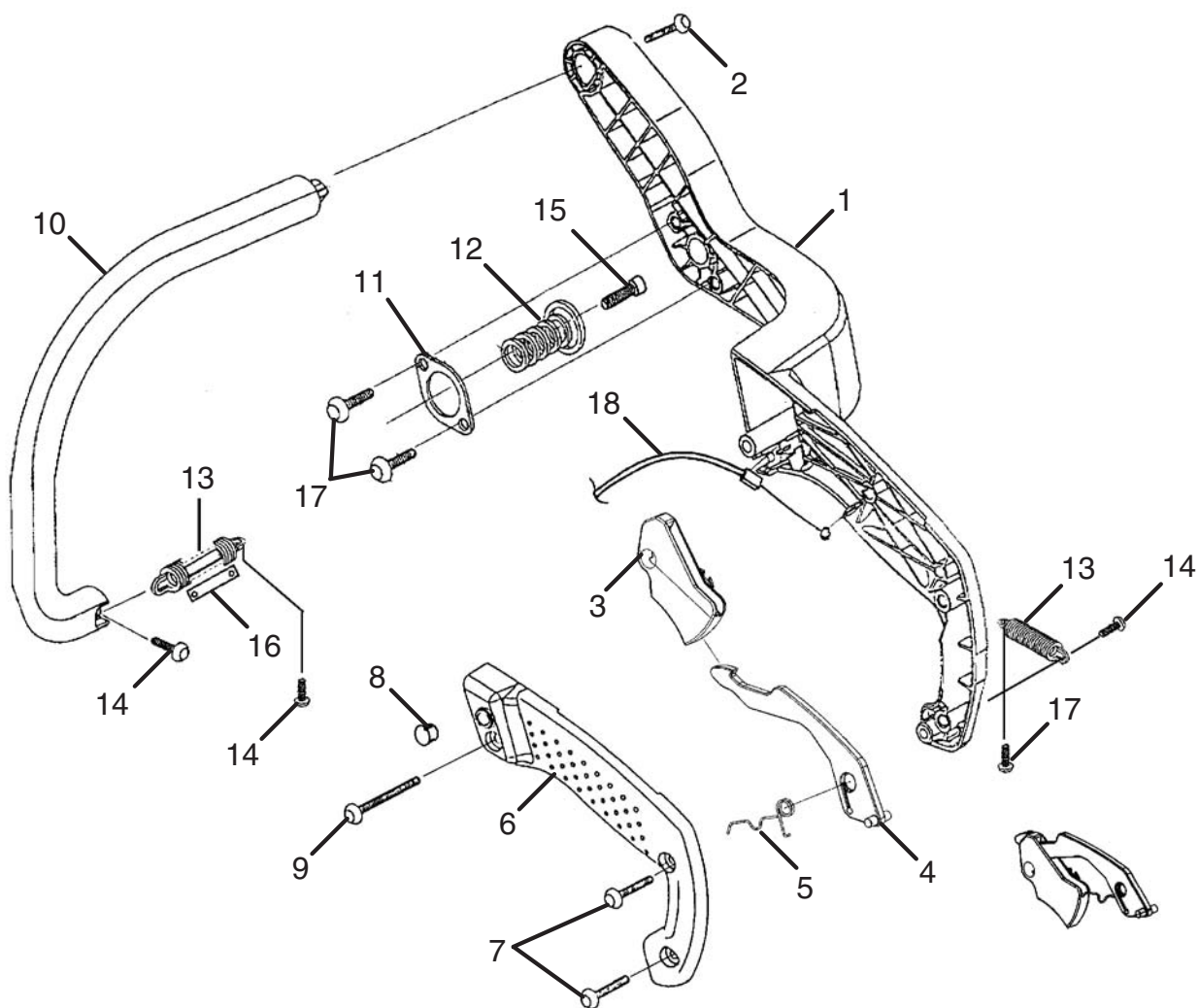


| NO. | PART NO.  | DESCRIPTION              | QTY. |
|-----|-----------|--------------------------|------|
| 1   | PS04726   | HAND GUARD               | 1    |
| 2   | 07580     | HAND GUARD ACTUATING PIN | 1    |
| 3   | 69599     | RETAINING RING           | 1    |
| 4   | PS04955   | SPRING, HANDGUARD        | 1    |
| 5   | 07393     | PIVOT, LH                | 1    |
| 6   | 07392     | PIVOT, RH                | 1    |
| 7   | 82624     | SCREW (8-32 x 5/8 in.)   | 1    |
| 8   | N/A       | GUIDE BAR BOLT           | 2    |
| 9   | 07404A    | PLATE, GUIDE BAR         | 1    |
| 10  | 07405A    | PLATE, GUIDE BAR         | 1    |
| 11  | 82513     | SCREW (6-19 x 1/2 in.)   | 1    |
| 12  | 985030001 | BRAKE BAND               | 1    |
| 13  | 06672     | PIN, ROLL                | 1    |
| 14  | 985021001 | BRAKE BAND COVER         | 1    |
| 15  | 984901001 | ADJUSTING PIN KIT        | 1    |
| 16  | 82623     | SCREW (8-16 x .320 )     | 3    |
| 17  | 984897001 | CHAIN BRAKE LINK         | 1    |
| 18  | 95395A    | PIN, ROLL                | 1    |
| 19  | 04940     | THRUST WASHER            | 1    |
| 20  | 984894001 | CLUTCH & HARDWARE        | 1    |

| NO. | PART NO.  | DESCRIPTION                | QTY. |
|-----|-----------|----------------------------|------|
| 21  | 984640001 | SPROCKET DRUM (.325 PITCH) | 1    |
| 22  | PS04669   | BEARING, NEEDLE            | 1    |
| 23  | 08981     | RING, RETAINING            | 1    |
| 24  | 04939A    | WASHER                     | 1    |
| 25  | PA01024   | DRIVE CASE COVER           | 1    |
| 26  | PS02928   | CHAIN CATCHER              | 1    |
| 27  | 82541     | SCREW (10-24 x 1/2 in.)    | 1    |
| 28  | 81196     | NUT, HEX                   | 2    |
| 29  | 984679001 | SPRING, COMPRESSION        | 1    |
| 30  | PS06077   | BUMPER SPIKE               | 1    |
| 31  | 81208     | LOCK NUT, HEX (10-24)      | 1    |
| 32  | 82311     | SCREW                      | 1    |
| 33  | 82632     | SCREW, TRUSS HD.           | 1    |

| ITEM NO. | TORQUE SPECS. |           | REQUIRED LOCTITE |
|----------|---------------|-----------|------------------|
|          | in./lbs.      | nm        |                  |
| 7        | 25-35         | 2.8-3.9   | 242 BLUE         |
| 11       | 8-18          | 0.9-2.0   |                  |
| 15       | 10-20         | 1.1-2.3   |                  |
| 16       | 20-30         | 2.3-3.4   |                  |
| 20       | 130-180       | 14.7-20.3 |                  |
| 27       | 30-50         | 3.4-5.6   |                  |
| 28       | HAND TIGHT    |           |                  |

# HANDLES



| NO. | PART NO. | DESCRIPTION               | QTY. |
|-----|----------|---------------------------|------|
| 1   | 06870    | REAR HANDLE               | 1    |
| 2   | 82615    | SCREW (12-14 x 1-1/2 in.) | 1    |
| 3   | PS06110  | TRIGGER, THROTTLE         | 1    |
| 4   | PS06111  | THROTTLE LOCK OUT         | 1    |
| 5   | PS04914  | TORSION SPRING            | 1    |
| 6   | 06871    | HANDLE COVER              | 1    |
| 7   | 82563    | SCREW (10-14 x 3/4 in.)   | 2    |
| 8   | PS04932  | PLUG-PLASTIC              | 1    |
| 9   | 82622    | SCREW (10-14 x 1-3/8 in.) | 1    |
| 10  | PS03985  | FRONT HANDLE KIT          | 1    |
| 2   | 82615    | SCREW (12-14 x 1-1/2 in.) | 1    |
| 11  | 07384    | ISOLATOR PLATE            | 1    |
| 12  | PS05199  | UPPER ISOLATION SPRING    | 1    |
| 13  | PS05217  | SPRING - ISOLATOR         | 1    |
|     | PS05239  | SHEET INSTRUCTIONS        | 1    |
| 14  | 82621    | SCREW (10-14 x 5/8 in.)   | 3    |
| 15  | 82597    | SCREW (10-24 x 5/8 in.)   | 1    |
| 16  | 01812A   | SPRING RETAINER           | 1    |
| 17  | 82541    | SCREW (10-14 x 1/2 in.)   | 3    |
| 18  | PS04377  | THROTTLE CABLE            | 1    |

| ITEM NO. | TORQUE SPECS. |         | REQUIRED LOCTITE |
|----------|---------------|---------|------------------|
|          | in./lbs.      | nm      |                  |
| 2        | 40-50         | 4.5-5.6 |                  |
| 7        | 30-40         | 3.4-4.5 |                  |
| 9        | 30-40         | 3.4-4.5 |                  |
| 14       | 30-40         | 3.4-4.5 |                  |
| 15       | 40-50         | 4.5-5.6 |                  |
| 17       | 30-40         | 3.4-4.5 |                  |



## ACCESSORIES

---

### .325 PITCH .05 GAUGE

| LENGTH OF BAR | GUIDE BAR PART NUMBER | CHAIN PART NUMBER |
|---------------|-----------------------|-------------------|
| 16 in.....    | 984316001 .....       | PS06136           |
| 18 in.....    | 984319001 .....       | PS06135           |

---

|   |         |                             |           |
|---|---------|-----------------------------|-----------|
| SEALANT SILICON.....                    | PS24823 | GREASE, MULTI-PURPOSE ..... | 18453     |
| RUBBER TUBING .....                     | 0745499 | COMPRESSION TESTER.....     | 94194     |
| WRENCH – COMBINATION .....              | 09207   | CARRY CASE .....            | 984900001 |
| WRENCH – COMBINATION (20 in. BAR) ..... | A24824  | BUMPER SPIKE KIT .....      | 984902001 |
| DIGITAL TACHOMETER .....                | 18416   | ADJUSTING PIN KIT.....      | 984901001 |