



## **Straight Shaft String Trimmer**

**Model No. 51973—260000001 & Up**

### **Parts Catalog**

---

#### **Ordering Replacement Parts**

To order replacement parts, please supply: the part number, the quantity, and the description of each part.

#### **Understanding Reference Numbers**

Each identified part in an illustration has a reference number. The reference number for a part also appears in the list, along with other information about the part.

#### **Understanding Figure Numbers**

This catalog uses two special reference number formats, one to indicate parts in a service assembly and another to indicate a Figure Number.

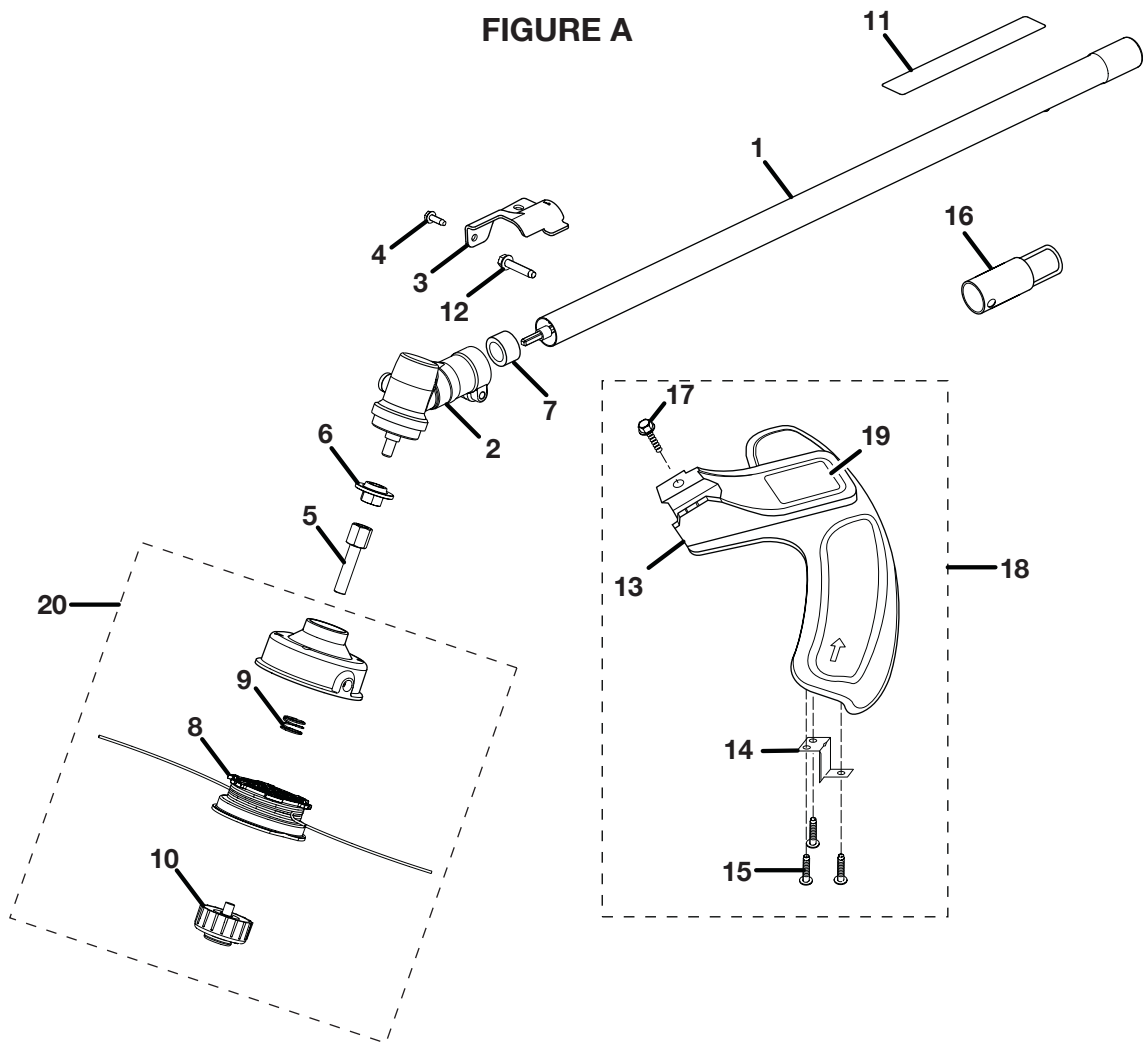
Figure Numbers are represented as a Sub-Assembly which follow the exploded views.

Sub-Assemblies can be ordered as an Assembly or you may order any part individually.

© The Toro Company - 2006  
All Rights Reserved

**TORO STRING TRIMMER – MODEL NUMBER 51973**

**FIGURE A**

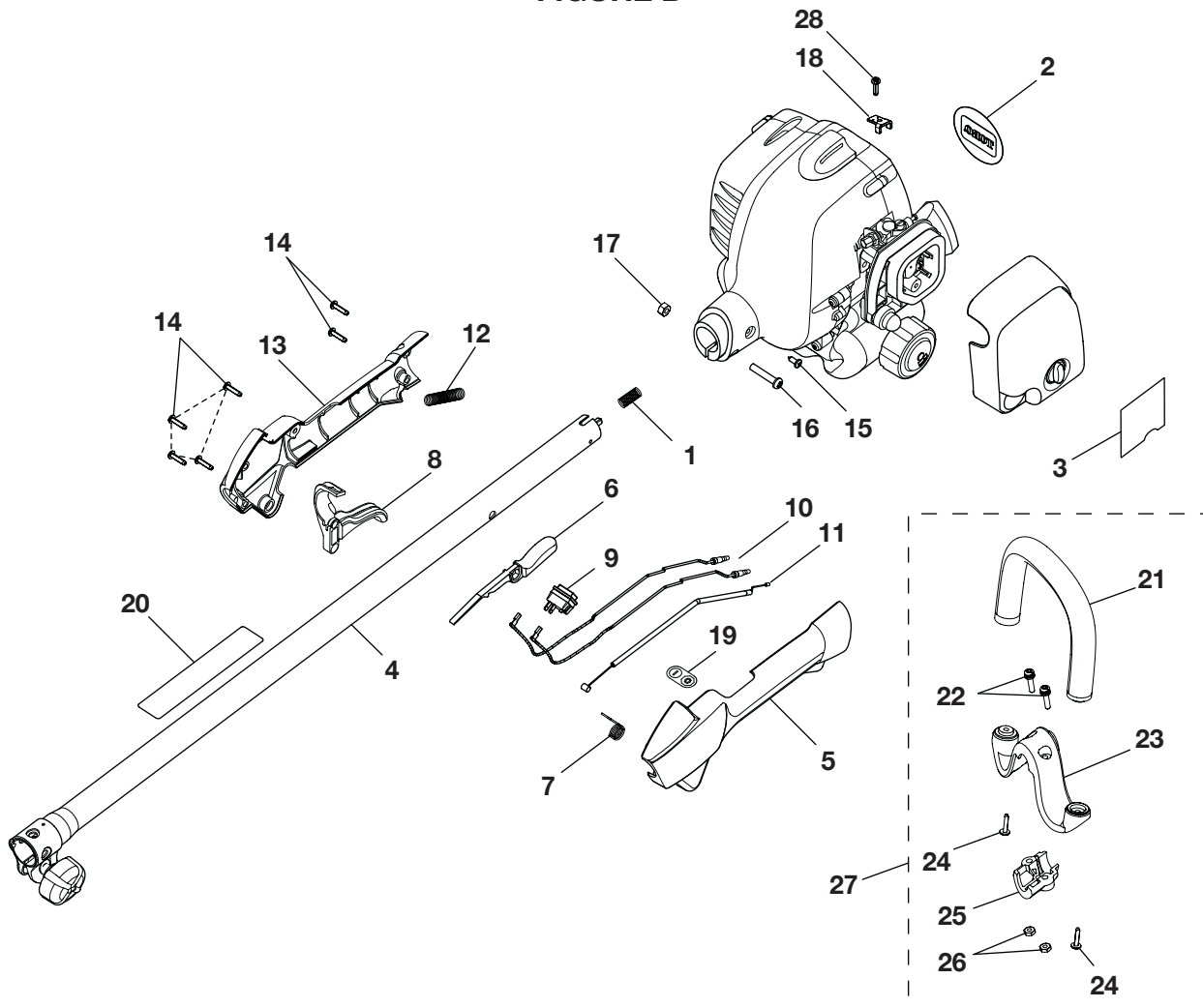


KEY PART NO. NUMBER	DESCRIPTION	QTY.
1	000998232 STRAIGHT SHAFT ASSEMBLY (INC. KEY NO. 11).....	1
2	308053004 GEAR CASE ASSEMBLY.....	1
3	638125001 GRASS DEFLECTOR CLAMP.....	1
4	660736001 SCREW (#10-24 X 5/8 in. HEX WASHER HD.).....	1
5	678019002 TRIMMER HEAD SHAFT ADAPTOR.....	1
6	678011002 FLANGED WASHER.....	1
7	518367001 SPACER.....	1
8	308044003 SPOOL WITH LINE (.095).....	1
9	678022001 COMPRESSION SPRING.....	1
10	308042003 RETAINING CAP, LEFT-HANDED THREAD.....	1
11	940230129 WARNING LABEL.....	1
12	660642001 SCREW (1/4-20 X 1-1/4 in.).....	1
13	518126001 GRASS DEFLECTOR.....	1
14	638020002 LINE CUTTING BLADE.....	1
15	660669001 SCREW.....	3
16	518019001 HANGER CAP.....	1
17	660738002 SCREW (#1/4-20 X 1-1/4 in. HEX WASHER HD.).....	1
18	308467001 GRASS DEFLECTOR ASSEMBLY (INC. KEY NOS. 13-15, 17, AND 19).....	1
19	940627020 GRASS DEFLECTOR LABEL.....	1
20	000998265 TRIMMER HEAD ASSEMBLY (INC. KEY NOS. 8, 9, AND 10) (.095).....	1

To locate a source for replacement parts, contact us toll free at 1-866-574-9242 (US) or 1-866-574-9243 (Canada).

**TORO STRING TRIMMER – MODEL NUMBER 51973**

**FIGURE B**



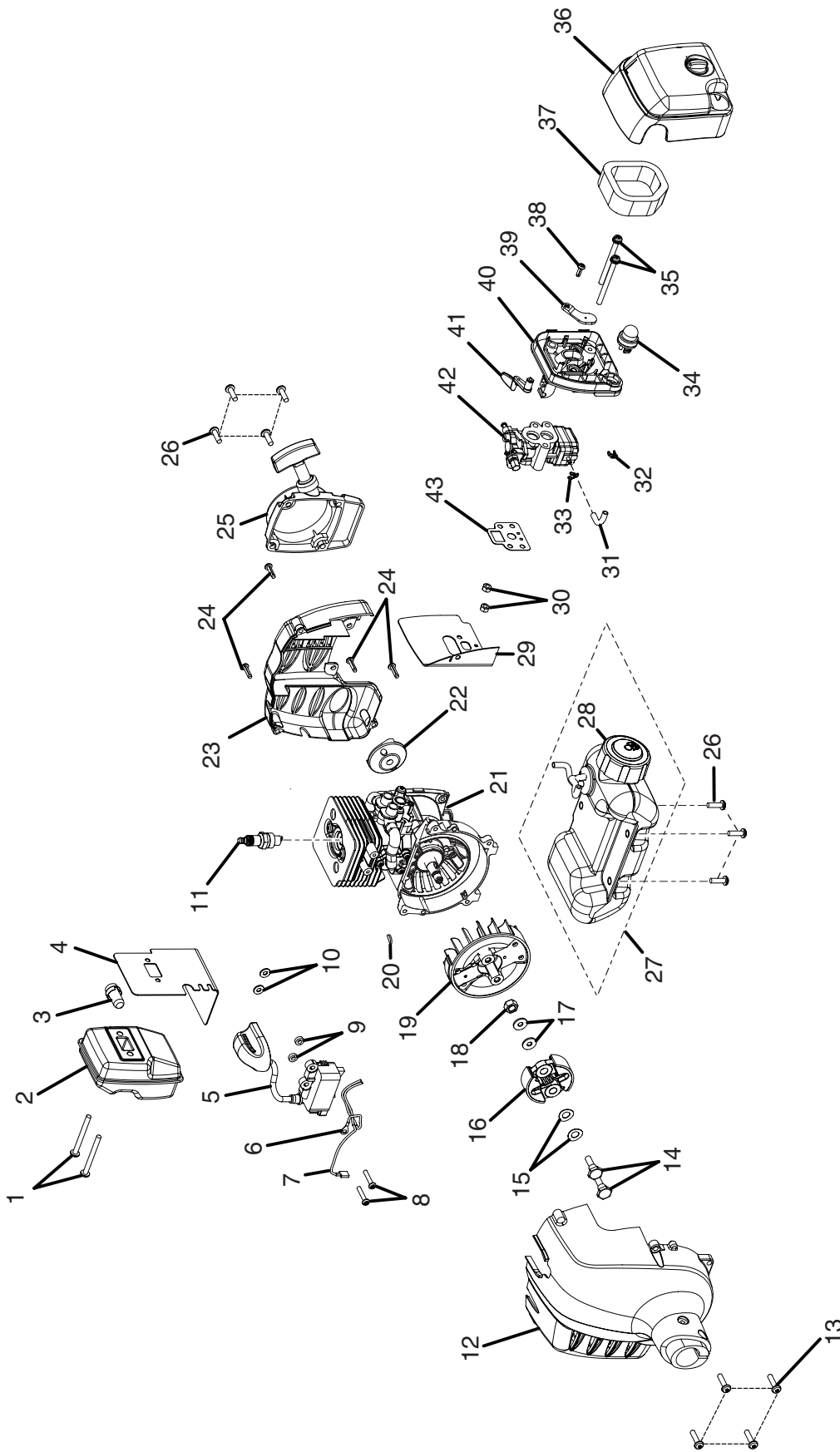
KEY PART NO. NUMBER	DESCRIPTION	QTY.
1 690140011	COMPRESSION SPRING.....	1
2 950060008	LOGO PLATE.....	1
3 940686006	LOWER START LABEL.....	1
4 000998234	UPPER SHAFT ASSEMBLY (INC. KEY NO. 20) .....	1
5 518122001	REAR HANDLE SUPPORT.....	1
6 518125001	LOCK-OFF BUTTON.....	1
7 690694002	TRIGGER SPRING .....	1
8 518124001	TRIGGER.....	1
9 760394001	SWITCH WITH DUST SHIELD ..	1
10 770670001	LEAD .....	2
11 308225003	CABLE, THROTTLE.....	1
12 518210004	CORRUGATED TUBE.....	1
13 518123001	REAR HANDLE COVER .....	1
14 660563002	SCREW (M4 X 16 mm) .....	6
15 660669001	SCREW (#8-16 X 1/2 in. TRI-LOBULAR).....	1

KEY PART NO. NUMBER	DESCRIPTION	QTY.
16 T660697001	SCREW (M6 X 1-30 mm).....	1
17 678029002	HEX NUT .....	1
18 638133001	THROTTLE CABLE CLAMP .....	1
19 940627017	ON/OFF LABEL.....	1
20 940230129	WARNING LABEL .....	1
21 000998217	ASSIST HANDLE W/GRIP.....	1
22 660653001	SCREW (#12-24 X 1 in.).....	2
23 518038001	M CLAMP.....	1
24 660637001	SLOTTED TORX SCREW .....	2
25 518020001	CLAMP.....	1
26 678106001	HEX NUT (12-24).....	2
27 308056001	ASSIST HANDLE ASSEMBLY ...	1
28 660734001	SCREW (M4 X 16 mm).....	1
983000960	OPERATOR'S MANUAL	
983000960R	REPAIR SHEET	

To locate a source for replacement parts, contact us toll free at 1-866-574-9242 (US) or 1-866-574-9243 (Canada).

TORO STRING TRIMMER - MODEL NUMBER 51973

FIGURE C



**TORO STRING TRIMMER – MODEL NUMBER 51973**

**FIGURE C - PARTS LIST**

<b>KEY PART NO. NUMBER</b>	<b>DESCRIPTION</b>	<b>QTY.</b>	<b>KEY PART NO. NUMBER</b>	<b>DESCRIPTION</b>	<b>QTY.</b>
1 660347001	SCREW (M5 X 50 mm TORX SLOTTED RECESSED PAN HD.) ...	2	23 590470001	ENGINE HOUSING, REAR.....	1
2 308709001	MUFFLER ASSEMBLY .....	1	24 660563001	SCREW (M4 X 16 mm..... Torx RECESSED PAN HD.) .....	4
3 6300210	SCREEN.....	1	25 308430001	STARTER RECOIL ASSEMBLY .....	1
4 638183006	MUFFLER GASKET.....	1	26 660351001	SCREW (M5 X 16 mm Torx SLOTTED)..	7
5 290178006	COIL BOOT ASSEMBLY .....	1	27 300757002	FUEL TANK ASSEMBLY .....	1
6 290143002	LEAD ASSEMBLY, RED.....	1		(INC. KEY NO. 28).....	1
7 290143001	LEAD ASSEMBLY, BLACK.....	1	28 300758006	FUEL CAP ASSEMBLY .....	1
8 660349001	SCREW (M4 X 22 mm Torx..... SLOTTED RECESSED PAN HD.) ...	2	29 900711001	INSULATOR GASKET .....	1
9 590462001	SPACER .....	2	30 690840001	NUT (M5 X .8 mm).....	2
10 690969001	WASHER.....	2	31 570259008	FUEL LINE.....	1
11 870217001	SPARK PLUG.....	1	32 690700001	HOSE CLIP .....	1
12 300754010	FRONT HOUSING ASSEMBLY .....	1	33 690699001	HOSE CLIP .....	1
13 660344001	SCREW (M5 X 20 mm Torx SLOTTED RECESSED PAN HD.) ...	4	34 300780002	PRIMER ASSEMBLY .....	1
14 660353001	CLUTCH SCREW .....	2	35 660346001	SCREW (M5 X 60 mm SLOTTED .... RECESSED PAN HD.MACHINE)....	2
15 690696001	CURVED WASHER .....	2	36 300747001	COVER ASSEMBLY .....	1
16 300756001	CLUTCH ASSEMBLY .....	1	37 560873001	ELEMENT.....	1
17 690695001	WASHER.....	1	38 660345001	SCREW (M4 X 12 mm SLOTTED RECESSED PAN HD.) ...	1
18 690689001	ROTOR NUT .....	1	39 590459001	CHOKE PLATE .....	1
19 640574001	ROTOR.....	1	40 590457001	CARBURETOR PLATE .....	1
20 690688001	WOODRUFF KEY (10 mm X 3 mm)	1	41 590458001	CHOKE LEVER.....	1
21 308707001	SHORT BLOCK ASSEMBLY .....	1	42 308708001	CARBURETOR ASSEMBLY .....	1
22 308004001	PULLEY ASSEMBLY .....	1	43 900758001	CARBURETOR GASKET.....	1

To locate a source for replacement parts,  
contact us toll free at 1-866-574-9242 (US) or 1-866-574-9243 (Canada).

For Parts Call 606-678-9623 or 606-561-4983



**OWT Industries, Inc.**

P.O. Box 35  
Highway 8  
Pickens, SC 29671  
USA

**Customer Service Information**

If your product requires service or maintenance,  
contact your nearest authorized service dealer.

To locate your nearest authorized service dealer for this product,  
contact us toll free at 1-866-574-9242 (US) or 1-866-574-9243 (Canada).

983000-960R  
6-06-06 (REV:00)

[www.mymowerparts.com](http://www.mymowerparts.com)