



Brushcutter

Model No. 51993—260000001 & Up

Parts Catalog

Ordering Replacement Parts

To order replacement parts, please supply: the part number, the quantity, and the description of each part.

Understanding Reference Numbers

Each identified part in an illustration has a reference number. The reference number for a part also appears in the list, along with other information about the part.

Understanding Figure Numbers

This catalog uses two special reference number formats, one to indicate parts in a service assembly and another to indicate a Figure Number.

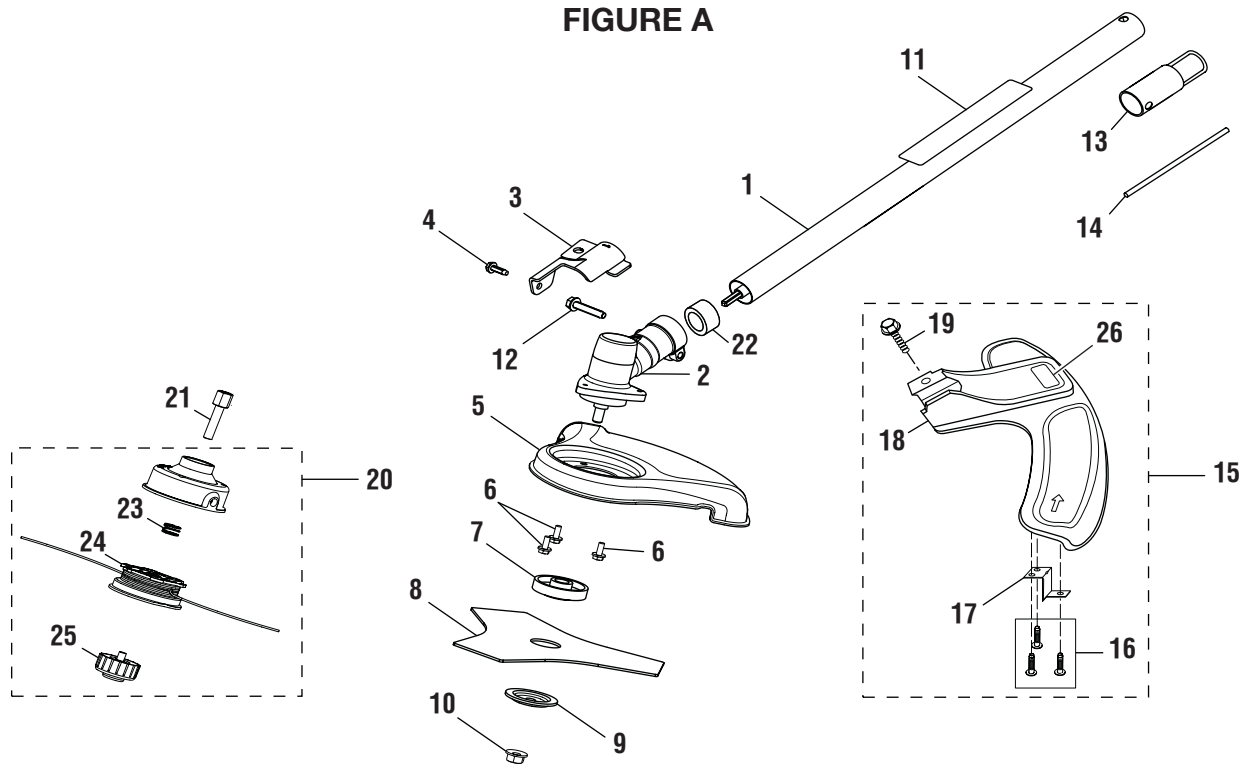
Figure Numbers are represented as a Sub-Assembly which follow the exploded views.

Sub-Assemblies can be ordered as an Assembly or you may order any part individually.

© The Toro Company - 2006
All Rights Reserved

TORO BRUSHCUTTER - MODEL NUMBER 51993

FIGURE A

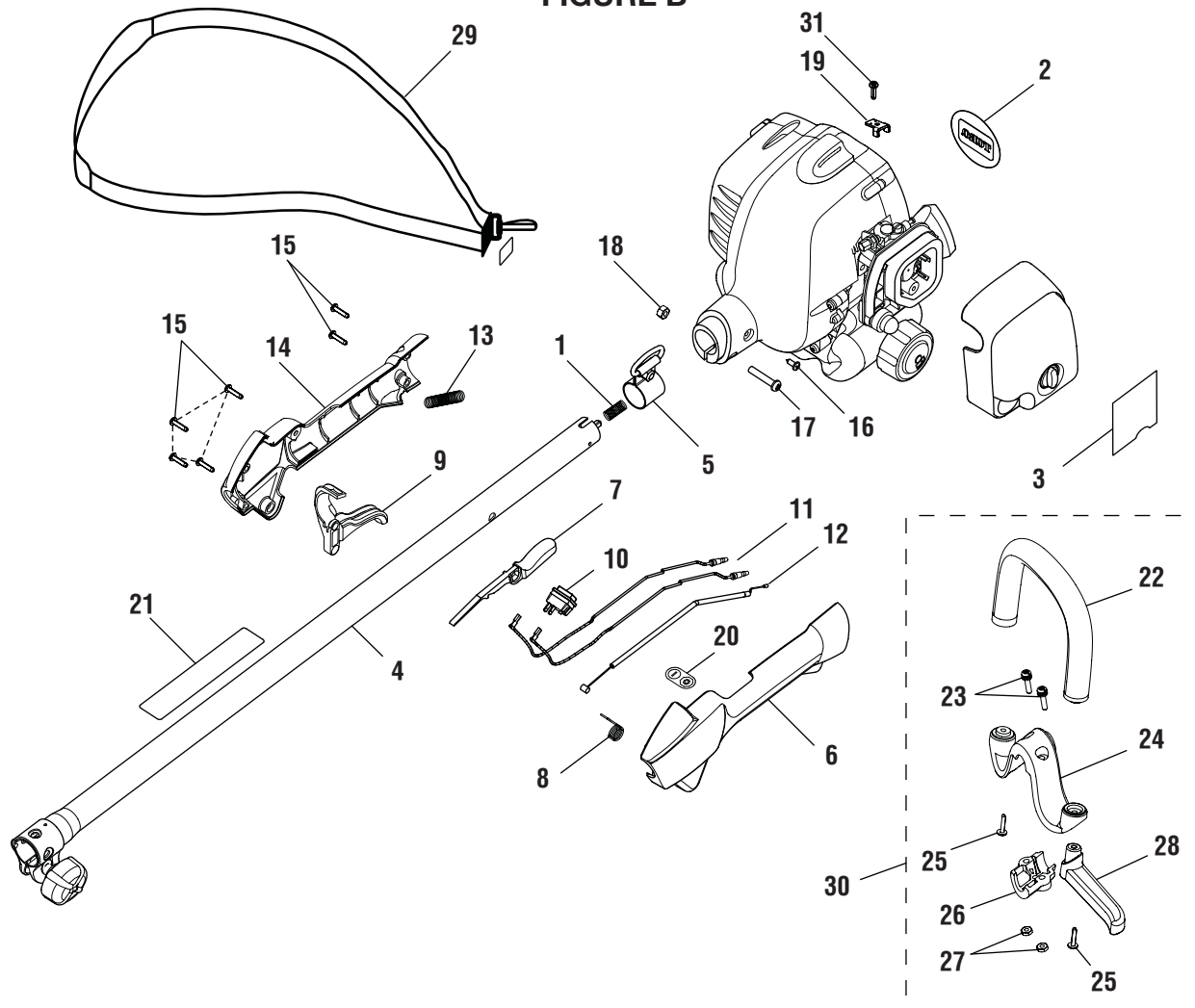


KEY NO.	PART NUMBER	DESCRIPTION	QTY.
1	000998233	STRAIGHT SHAFT ASSEMBLY (INC. KEY NO. 11).....	1
2	308053001	GEAR CASE ASSEMBLY.....	1
3	638125001	GRASS DEFLECTOR CLAMP.....	1
4	660736001	SCREW (#10-24 X 5/8 in. HEX WASHER HD.).....	1
5	638120001	BLADE GUARD.....	1
6	660737001	SCREW (#10-24 X 1/2 in. SLOTTED HEX HD.).....	3
7	678011001	FLANGED WASHER.....	1
8	638006004	BLADE (TRI-ARC™).....	1
9	638017001	CUPPED WASHER.....	1
10	678018001	BLADE NUT, LEFT-HANDED THREADS.....	1
11	940657004	WARNING LABEL.....	1
12	660642001	SCREW (1/4-20 X 1-1/4 in.).....	1
13	518019001	HANGER CAP.....	1
14	678020001	HEAD LOCKING TOOL.....	1
15	308467001	GRASS DEFLECTOR ASSEMBLY (INC. KEY NOS. 16-19, AND 26)	1
16	660669001	SCREW.....	3
17	638020002	LINE CUTTING BLADE.....	1
18	518126001	GRASS DEFLECTOR.....	1
19	660738002	SCREW (#1/4-20 X 1-1/4 in. HEX WASHER HD.).....	1
20	000998265	TRIMMER HEAD ASSEMBLY (.095) (INC. KEY NOS. 23-25).....	1
21	678019002	TRIMMER HEAD SHAFT ADAPTOR.....	1
22	518367001	SPACER.....	1
23	678022001	COMPRESSION SPRING.....	1
24	308044003	SPOOL WITH LINE (.095).....	1
25	308042003	RETAINING CAP, LEFT-HANDED THREAD.....	1
26	940627020	GRASS DEFLECTOR LABEL.....	1

To locate a source for replacement parts,
contact us toll free at 1-866-574-9242 (US) or 1-866-574-9243 (Canada).

TORO BRUSHCUTTER - MODEL NUMBER 51993

FIGURE B



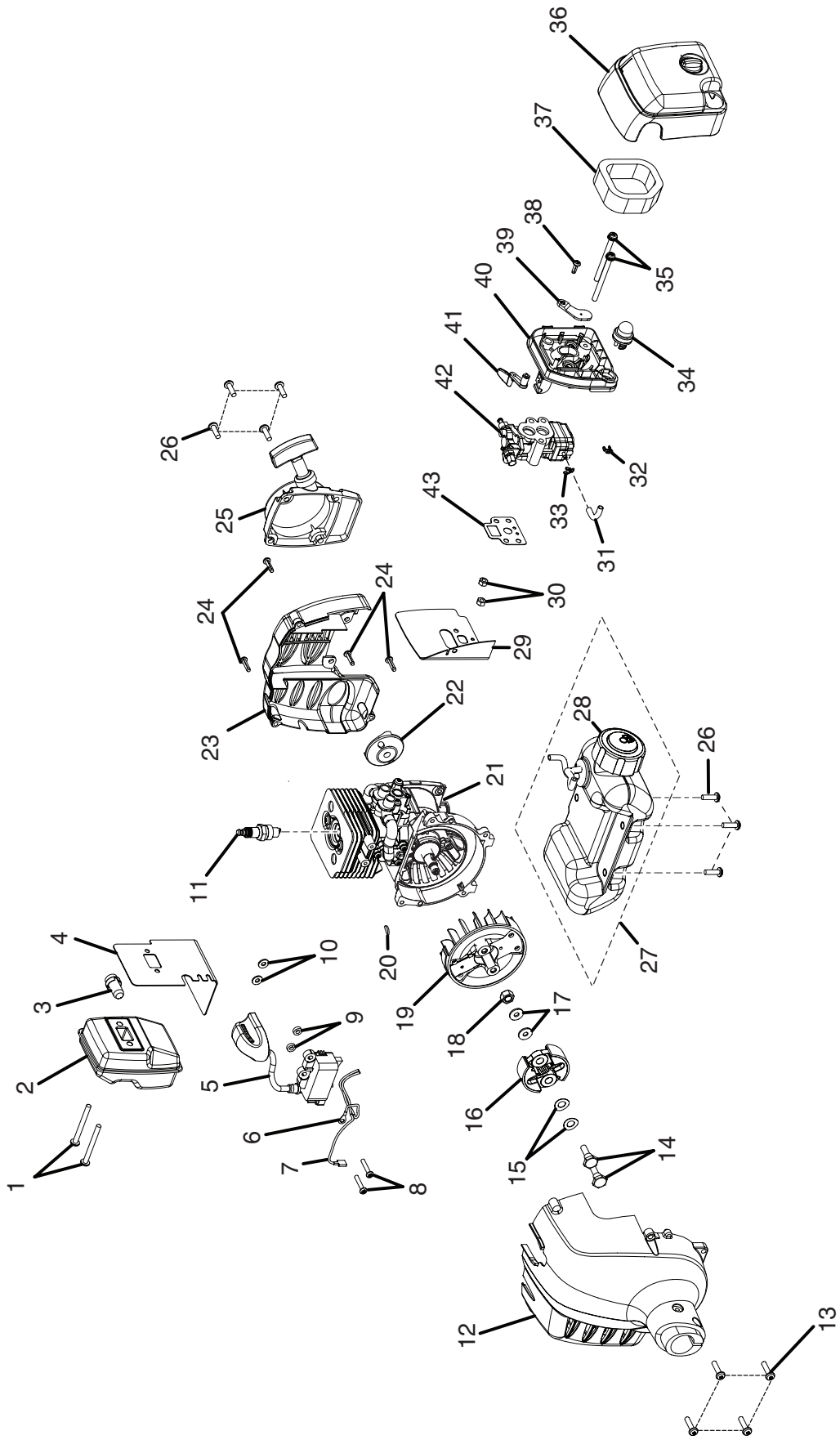
KEY PART NO. NUMBER	DESCRIPTION	QTY.
1 690140011	COMPRESSION SPRING.....	1
2 950060008	LOGO PLATE.....	1
3 940686006	LOWER START LABEL.....	1
4 000998235	UPPER SHAFT ASSEMBLY (INC. KEY NO. 21).....	1
5 308224001	HANGER BRACKET.....	1
6 518122001	REAR HANDLE SUPPORT.....	1
7 518125001	LOCK-OFF BUTTON.....	1
8 690694002	TRIGGER SPRING.....	1
9 518124001	TRIGGER.....	1
10 760394001	SWITCH WITH DUST SHIELD ..	1
11 770670001	LEAD.....	2
12 308225003	CABLE, THROTTLE.....	1
13 518210004	CORRUGATED TUBE.....	1
14 518123001	REAR HANDLE COVER.....	1
15 660563002	SCREW (M4 X 16 mm).....	7
16 660669001	SCREW (#8-16 X 1/2 in. TRI-LOBULAR).....	1

KEY PART NO. NUMBER	DESCRIPTION	QTY.
17 T660697001	SCREW (M6 X 1-30 mm).....	1
18 678029002	HEX NUT.....	1
19 638133001	THROTTLE CABLE CLAMP.....	1
20 940627017	ON/OFF LABEL.....	1
21 940657004	WARNING LABEL.....	1
22 000998217	ASSIST HANDLE W/GRIP.....	1
23 660653001	SCREW (#12-24 X 1 in.).....	2
24 518038001	M CLAMP.....	1
25 660637001	SLOTTED TORX SCREW.....	2
26 518020001	CLAMP.....	1
27 678106001	HEX NUT (12-24).....	2
28 518039001	BARRIER BAR.....	1
29 308047001	HARNES ASM. W/LABEL.....	1
30 308056002	ASSIST HANDLE W/BARRIER..	1
31 660734001	SCREW (M4 X 16 mm).....	1
983000960	OPERATOR'S MANUAL	
983000960R	REPAIR SHEET	

To locate a source for replacement parts, contact us toll free at 1-866-574-9242 (US) or 1-866-574-9243 (Canada).

— TORO BRUSHCUTTER - MODEL NUMBER 51993 —

FIGURE C



TORO BRUSHCUTTER – MODEL NUMBER 51993

FIGURE C - PARTS LIST

KEY PART NO. NUMBER	DESCRIPTION	QTY.	KEY PART NO. NUMBER	DESCRIPTION	QTY.
1 660347001	SCREW (M5 X 50 mm TORX SLOTTED RECESSED PAN HD.) ...	2	23 590470001	ENGINE HOUSING, REAR.....	1
2 308709001	MUFFLER ASSEMBLY	1	24 660563001	SCREW (M4 X 16 mm..... Torx RECESSED PAN HD.)	4
3 6300210	SCREEN.....	1	25 308430001	STARTER RECOIL ASSEMBLY	1
4 638183006	MUFFLER GASKET.....	1	26 660351001	SCREW (M5 X 16 mm Torx SLOTTED)..	7
5 290178006	COIL BOOT ASSEMBLY	1	27 300757002	FUEL TANK ASSEMBLY	1
6 290143002	LEAD ASSEMBLY, RED.....	1		(INC. KEY NO. 28).....	1
7 290143001	LEAD ASSEMBLY, BLACK.....	1	28 300758006	FUEL CAP ASSEMBLY	1
8 660349001	SCREW (M4 X 22 mm Torx..... SLOTTED RECESSED PAN HD.) ...	2	29 900711001	INSULATOR GASKET	1
9 590462001	SPACER	2	30 690840001	NUT (M5 X .8 mm).....	2
10 690969001	WASHER.....	2	31 570259008	FUEL LINE.....	1
11 870217001	SPARK PLUG.....	1	32 690700001	HOSE CLIP	1
12 300754010	FRONT HOUSING ASSEMBLY	1	33 690699001	HOSE CLIP	1
13 660344001	SCREW (M5 X 20 mm Torx SLOTTED RECESSED PAN HD.) ...	4	34 300780002	PRIMER ASSEMBLY	1
14 660353001	CLUTCH SCREW	2	35 660346001	SCREW (M5 X 60 mm SLOTTED RECESSED PAN HD.MACHINE)....	2
15 690696001	CURVED WASHER	2	36 300747001	COVER ASSEMBLY	1
16 300756001	CLUTCH ASSEMBLY	1	37 560873001	ELEMENT.....	1
17 690695001	WASHER.....	1	38 660345001	SCREW (M4 X 12 mm SLOTTED RECESSED PAN HD.) ...	1
18 690689001	ROTOR NUT	1	39 590459001	CHOKE PLATE	1
19 640574001	ROTOR.....	1	40 590457001	CARBURETOR PLATE	1
20 690688001	WOODRUFF KEY (10 mm X 3 mm)	1	41 590458001	CHOKE LEVER.....	1
21 308707001	SHORT BLOCK ASSEMBLY	1	42 308708001	CARBURETOR ASSEMBLY	1
22 308004001	PULLEY ASSEMBLY	1	43 900758001	CARBURETOR GASKET.....	1

To locate a source for replacement parts,
contact us toll free at 1-866-574-9242 (US) or 1-866-574-9243 (Canada).

For Parts Call 606-678-9623 or 606-561-4983



OWT Industries, Inc.

P.O. Box 35
Highway 8
Pickens, SC 29671
USA

Customer Service Information

If your product requires service or maintenance,
contact your nearest authorized service dealer.

To locate your nearest authorized service dealer for this product,
contact us toll free at 1-866-574-9242 (US) or 1-866-574-9243 (Canada).

983000-960R
6-07-06 (REV:00)

www.mymowerparts.com