

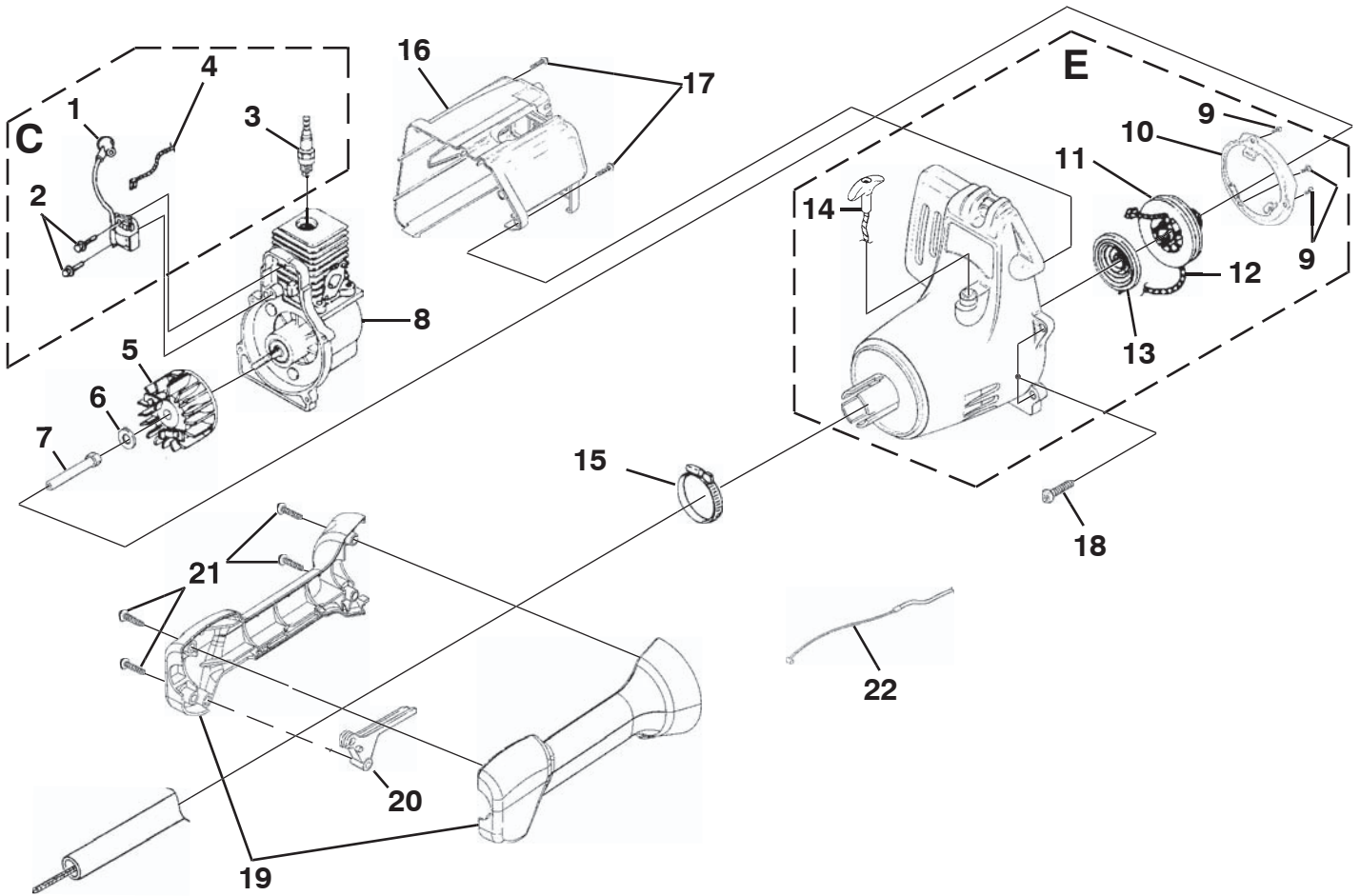
# Homelite®

## PARTS LIST

TrimLite™

UT20706

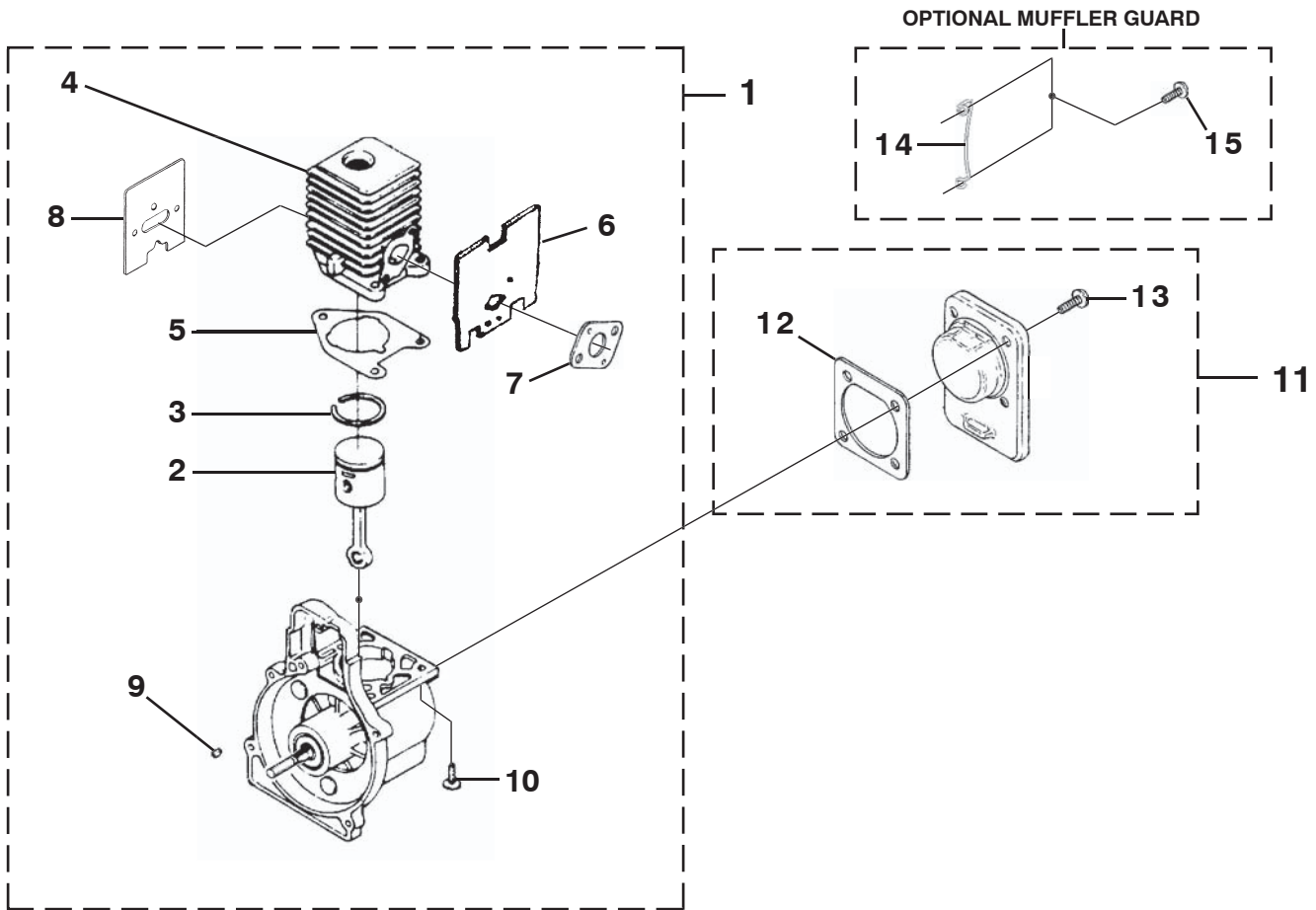
## IGNITION - ROTOR - STARTER



No.	Part No.	Description	Qty.
<b>C</b>	•984873001	IGNITION KIT	1
1	94711C	IGNITION MODULE	1
2	82540	SCREW-Taptite (8-32 X 1")	2
3	PS02227	SPARK PLUG	1
4	A07238	LEAD-Electrical	1
5	•UP03856A	ROTOR KIT	1
6	95479A	WASHER-Flat	1
7	98795A	CONNECTOR-Drive (.250)	1
8	UP00743A	SHORT BLOCK (See Engine Internal)	1
<b>E</b>	•UP03092A	COMPLETE STARTER ASSEMBLY	1
9	82543	SCREW-Taptite (8-16 X 1/2")	3
10	PS00326	BAFFLE-Air	1
11	98770A	PULLEY-Starter	1
12	9789902	ROPE-Starter (42")	1
13	A98773A	SPRING & CONTAINER	1
14	PS00179	GRIP-Starter	1
15	PS01611	CLAMP	1
16	09210	HOUSING-Rear Engine	1
17	82537	SCREW-Taptite (10-14 X 7/8")	2
18	82538	SCREW-Taptite (10-24 X 3/4")	4
19	•UP03091A	CONTROL HANDLE ASSY.	1
20	088331	TRIGGER-Throttle	1
21	82537	SCREW-Taptite (10-14 X 7/8")	4
22	0883202	CABLE-Throttle	1

Item No.	Torque Specs		Required Loctite
	In./Lbs	Nm	
2	30-40	3.4-4.5	Blue 242
3	120-180	13.6-20.3	
7	100-150	11.3-16.9	
9	10-20	1.1-2.3	
15	40-50	4.5-5.6	
17	30-50	3.4-5.6	
18	30-40	3.4-4.5	
21	30-50	3.4-5.6	

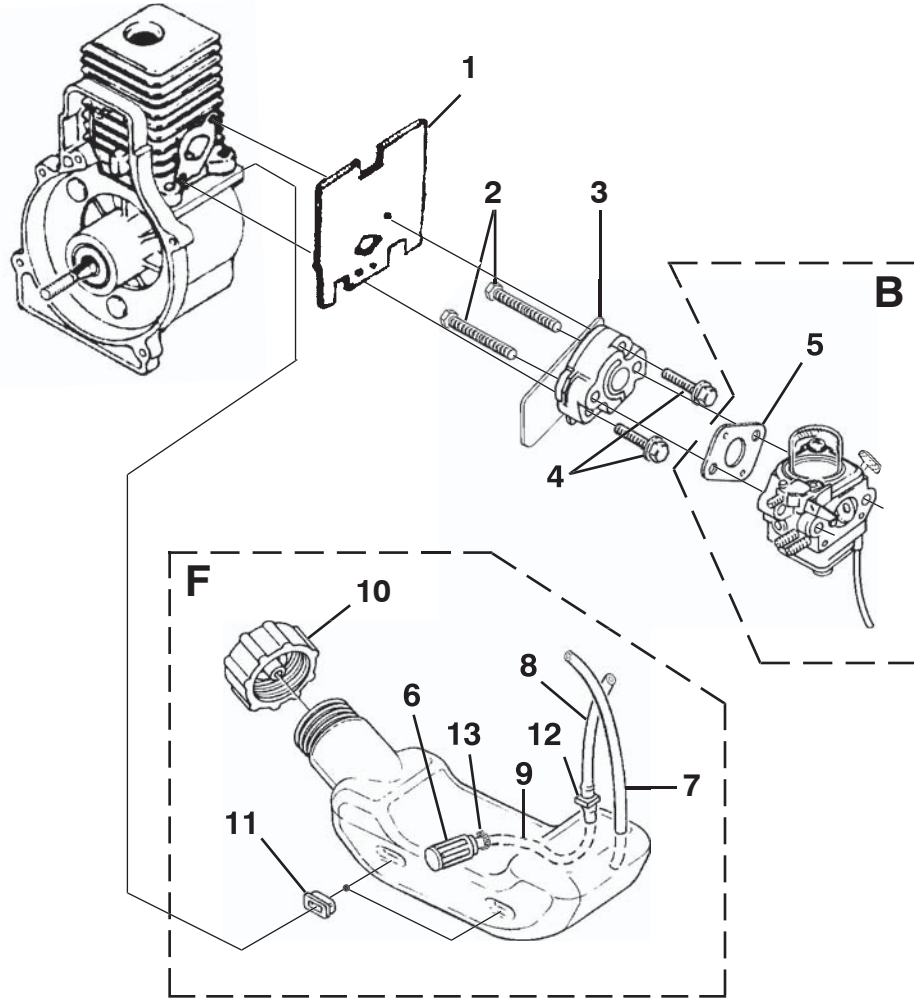
## ENGINE INTERNAL



No.	Part No.	Description	Qty.
1	•UP00743A	SHORT BLOCK	1
2	•984544001	PISTON & ROD ASSY.	1
3	PS01359	RING-Piston	1
4	•UP07145A	CYLINDER ASSY.	1
5	04388B	GASKET-Cylinder	1
6	06900A	GASKET-Heat Dam	1
7	98766A	GASKET-Carburetor	1
8	_09343	GASKET-Muffler	1
9	69250	KEY-Woodruff	1
10	_PS02807	SCREW (12-24 X .660")	3
11	•UP00019A	CRANKCASE COVER ASSEMBLY	1
12	06443A	GASKET-Crankcase Cover (Also included w/short block)	1
13	_PS01565	SCREW-Sems (10-24 X 1/2")	4
14	•UP04099	MUFFLER GUARD	1
15	_82541	SCREW-Thread Forming (10-14 X 1/2")	2

Item No.	Torque Specs		Required Loctite
	In/Lbs	Nm	
10	55-65	6.2-7.3	Red 262
13	35-45	4.0-5.1	Red 262
15	5-20	0.6-2.3	

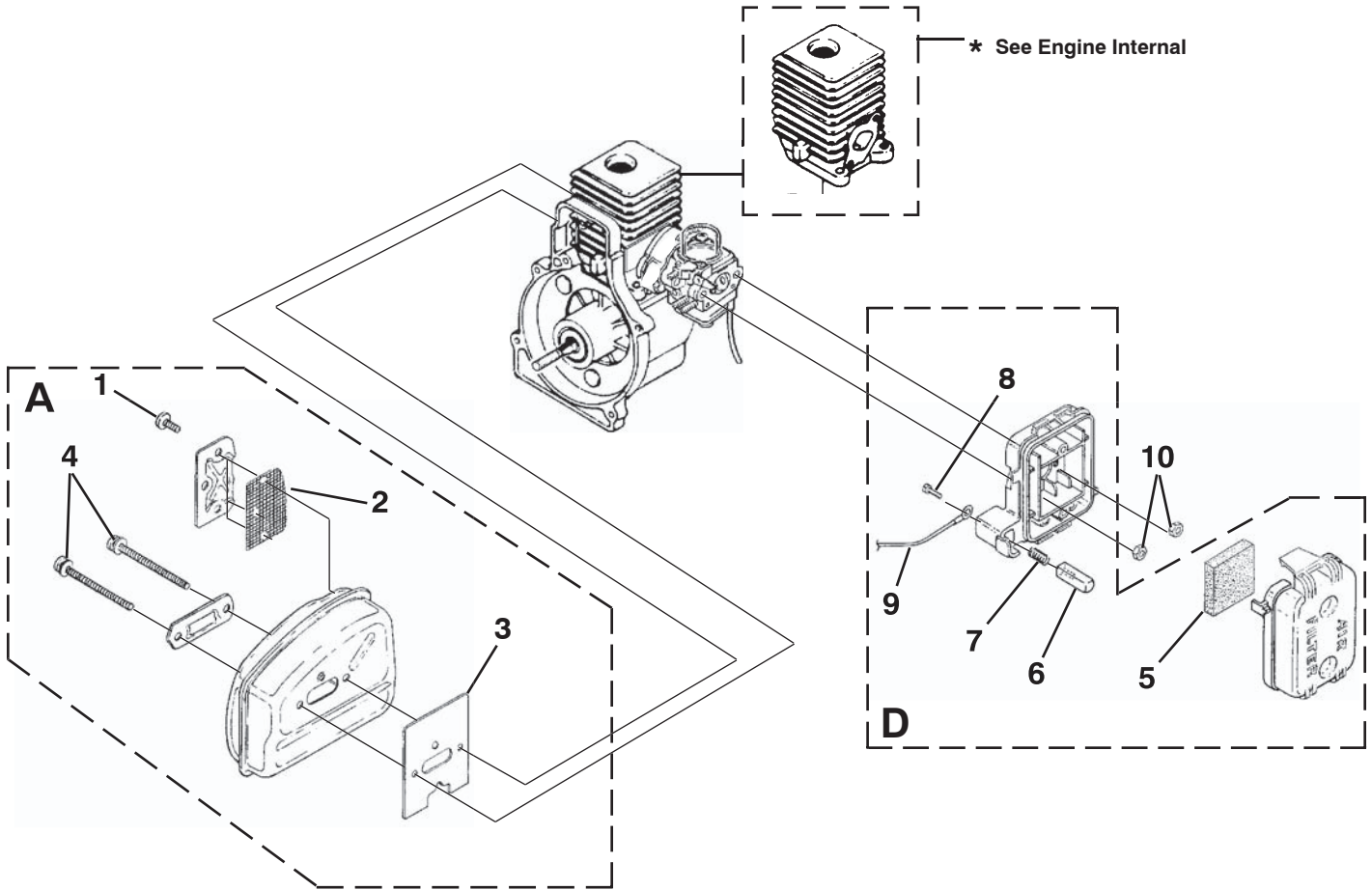
## CARBURETOR - FUEL TANK



No.	Part No.	Description	Qty.
1	06900A	GASKET-Heat Dam	1
2	04474	SCREW-Machine (10-24 X 2 1/4")	2
3	98768A	HEAT DAM	1
4	093221	SCREW-Sems (10-24 X 1")	2
<b>B</b>	•UP00608	CARBURETOR KIT	1
5	98766A	GASKET-Carburetor	1
<b>F</b>	•UP00020A	FUEL TANK ASSY.	1
6	PS03380	FILTER-Fuel	1
7	0143918	TUBING-Rubber	1
8	0143910	TUBING-Rubber	1
9	9477213	TUBING-Rubber	1
10	A09116	FUEL CAP	1
11	98792	BUMPER-Rubber	3
12	07332	FITTING-Inline	1
13	98268	CLAMP	1

Item No.	Torque Specs		Required Loctite
	In/Lbs	Nm	
4	35-45	4.0-5.1	Red 262

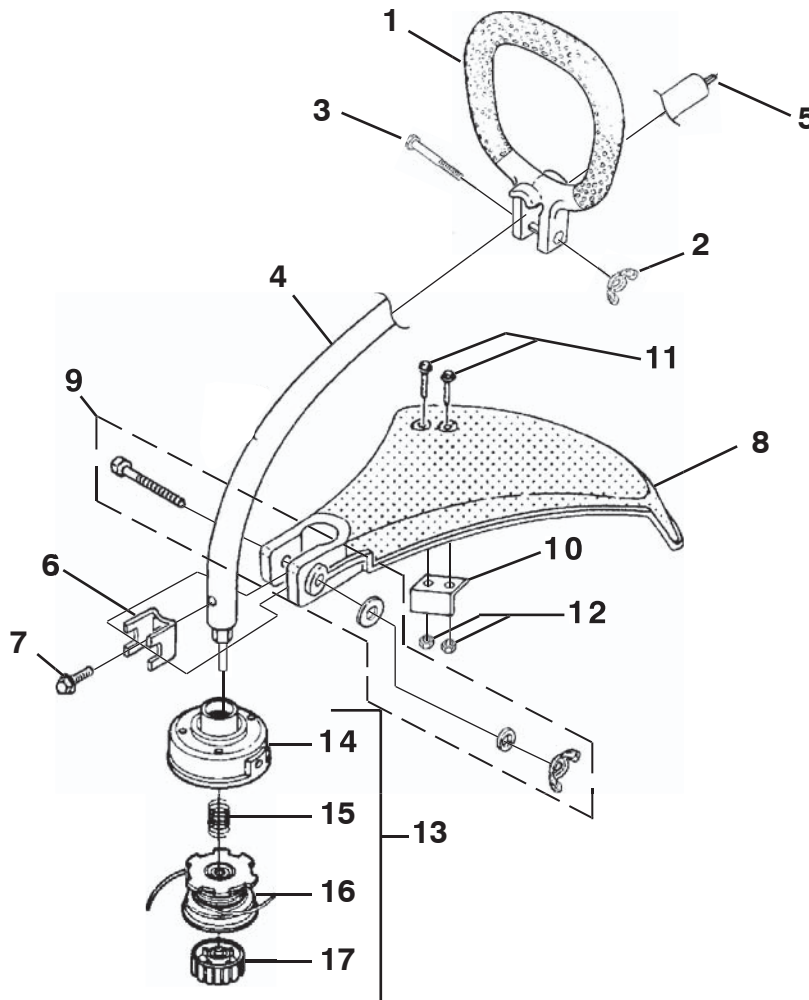
## MUFFLER - AIR CLEANER



No.	Part No.	Description	Qty.
<b>A</b>	• A07142AA	MUFFLER ASSY.	1
1	82600	SCREW, Taptite- (8-32 X 3/8")	3
2	06502	SCREEN-Spark	1
3	09343	GASKET-Muffler	1
4	88083	SCREW, Truss Hd. - (10-24 X 2.188")	2
<b>D</b>	• A04707A	AIR FILTER KIT	1
5	98760	FILTER-Air	1
6	98769	BUTTON-Switch	1
7	95020A	SPRING-Compression	1
8	82513	SCREW-Thread Form (6-19 x 1/2")	1
9	A07238	LEAD-Electrical	1
10	81208	NUT-Hex (10-24)	2

Item No.	Torque Specs		Required Loctite
	In./Lbs	Nm	
1	25-35	2.8-4.0	
4	50-60	5.6-6.8	
8	5-10	0.6-1.1	
10	30-40	3.4-4.5	

# SHAFT - SPOOL & STRING - GRASS DEFLECTOR



No.	Part No.	Description	Qty.
1	•UP03010A	HANDLE ASSY.-Front	1
2	93992	NUT-Wing, Washer Faced (1/4-20)	1
3	80295	SCREW-Cap Hex Hd.	1
4	•UP04555A	DRIVESHAFT HOUSING ASSY.	1
5	PS01502	SHAFT-Flexible	1
6	07928	CLAMP	1
7	983823001	SCREW-T.F. Hex Hd. (#10-24 X 3/8")	1
8	•UP06710A	DEFLECTOR & BLADE KIT (55 Deg.)	1
9	PA00249	FASTENER Parts Kit	1
10	•UP04119	BLADE-Cut-Off	1
11	82531	SCREW-Mech. Hex Hd. (10-24 X 7/8")	2
12	81208	NUT-Hex (10-24)	2
13	•UP04408	STRINGHEAD-Complete	1
14	A98231A	HOUSING & EYELET (Dual Line)	1
15	06713	SPRING-Compression	1
16	PA0387A	SPOOL & STRING (.080" Line)	1
17	A98866A	RETAINER-Spool (RH Thread, Black)	1

Item No.	Torque Specs		Required Loctite
	In/Lbs	Nm	
2	5-25	0.6-2.8	
7	15-25	1.7-2.8	
9	5-25	0.6-2.8	
12	30-40	3.4-4.5	

For Parts Call 606-678-9623 or 606-561-4983

**HOMELITE CONSUMER PRODUCTS, INC.**

1428 Pearman Dairy Road, Anderson, SC 29625

Post Office Box 1207, Anderson, SC 29622

Phone 1-800-chainsa (1-800-242-4672)

[www.homelite.com](http://www.homelite.com)

983000-382R

10-30-03

[www.mymowerparts.com](http://www.mymowerparts.com)