

# Homelite®

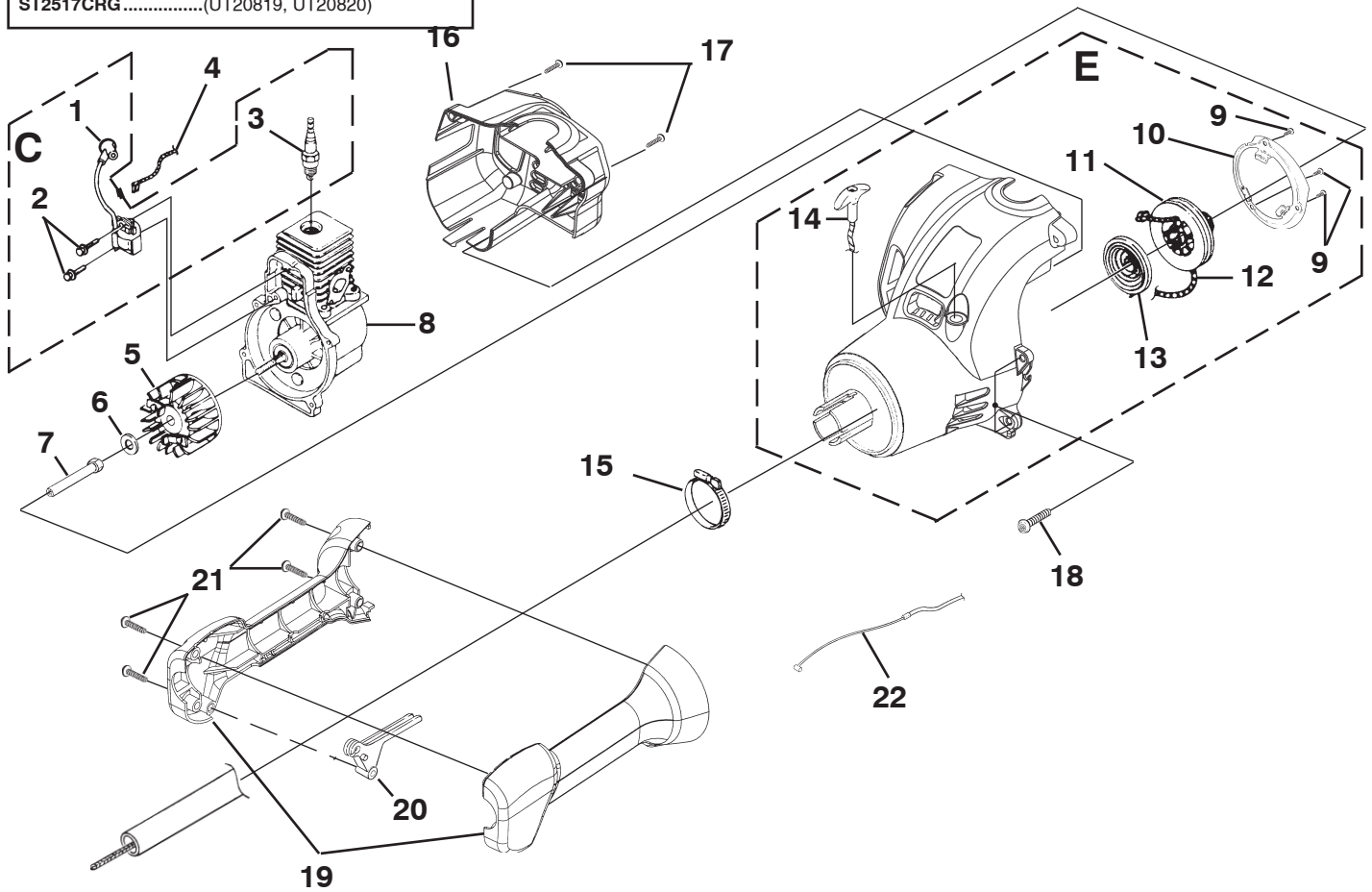
## PARTS LIST



<b>Trim N' Edge™</b>	UT20747	UT20772 UT20772A
<b>K200</b>	UT20750	UT20781
<b>Easy Reach™</b>	UT20749 UT20769 UT20769A	UT20758 UT20785
<b>Power Trim™</b>	UT20748	UT20771
<b>ST2517CRG</b>	UT20819	UT20820

Trim N' Edge™ .....(UT20747, UT20772, UT20772A)  
 K200 .....(UT20750, UT20781)  
 Easy Reach™ .....(UT20749, UT20758, UT20769  
 UT20769A, UT20785)  
 Power Trim™ .....(UT20748, UT20771)  
 ST2517CRG .....(UT20819, UT20820)

### IGNITION - ROTOR - STARTER

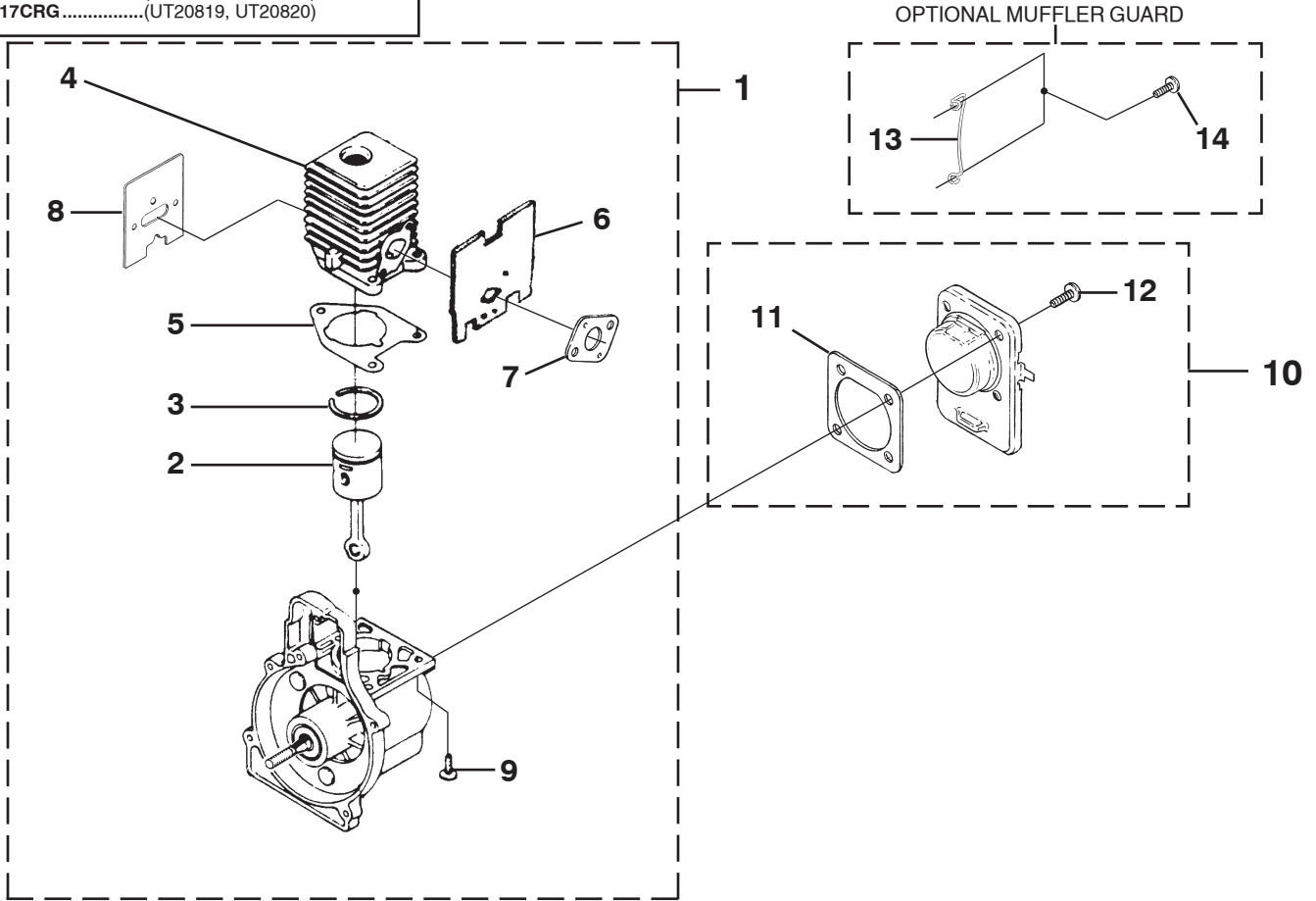


No.	Part No.	Description	Qty.
<b>C</b>	•A07174A	IGNITION KIT	1
1	06504A	IGNITION Module	1
2	82540	SCREW-Taptite (8-32 X 1")	2
3	PS02227	SPARK PLUG	1
4	A07238	LEAD-Electrical	1
5	984521001	ROTOR KIT	1
6	95479A	WASHER-Flat	1
7	98795A	CONNECTOR-Drive (.250)	1
8	984525001	SHORT BLOCK (See Engine Internal)	1
<b>E</b>	•UP04743A	COMPLETE STARTER ASSEMBLY	1
9	82543	SCREW-Taptite (8-16 X 1/2")	3
10	PS02040	BAFFLE-Air	1
11	PS01122	PULLEY-Starter	1
12	9789902	ROPE-Starter (42")	1
13	A98773A	SPRING & CONTAINER	1
14	5946702	GRIP-Starter	1
15	PS01611	CLAMP	1
16	•UP02965	HOUSING-Rear Kit	1
17	82537	SCREW-Taptite (10-14 X 7/8")	2
18	82538	SCREW-Taptite (10-24 X 3/4")	4
19	•UP03091A	CONTROL HANDLE ASSY.	1
20	088331	TRIGGER-Throttle	1
21	82537	SCREW-Taptite (10-14 X 7/8")	4
22	0883202	CABLE-Throttle	1

Item No.	Torque Specs		Required Loctite
	In/Lbs	Nm	
2	30-40	3.4-4.5	Blue 242
3	120-180	13.6-20.3	
7	100-150	11.3-16.9	
9	10-20	1.1-2.3	
15	40-50	4.5-5.6	
17	30-50	3.4-5.6	
18	30-40	3.4-4.5	
21	30-50	3.4-5.6	

**ENGINE INTERNAL**

Trim N' Edge™ .....(UT20747, UT20772, UT20772A)  
 K200 .....(UT20750, UT20781)  
 Easy Reach™ .....(UT20749, UT20758, UT20769  
 UT20769A, UT20785)  
 Power Trim™ .....(UT20748, UT20771)  
 ST2517CRG .....(UT20819, UT20820)

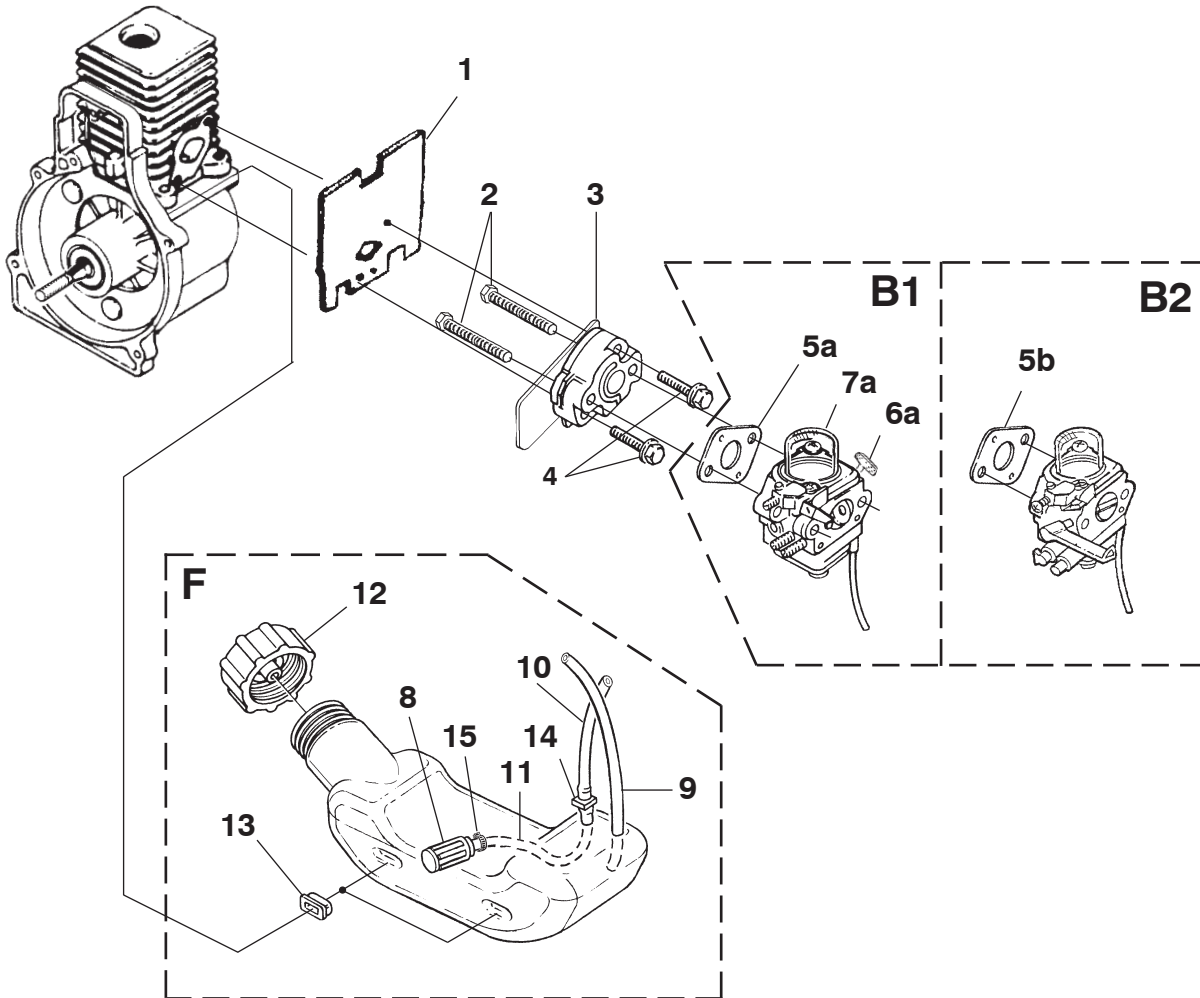


No.	Part No.	Description	Qty.
1	•984525001	SHORT BLOCK	1
2	•984544001	PISTON & ROD ASSY.	1
3	PS01359	RING-Piston	1
4	•UP07145A	CYLINDER ASSY.	1
5	04388B	GASKET-Cylinder	1
6	06900A	GASKET-Heat Dam	1
7	98766A	GASKET-Carburetor	1
8	PS04000	GASKET-Muffler	1
9	PS02807	SCREW-Sems (12-24 X 3/4")	3
10	•UP00019A	CRANKCASE COVER ASSEMBLY	1
11	08661	GASKET-Crankcase Cover (Also Included W/Cylinder Assy.)	1
12	PS01565	SCREW-Sems (10-24 X 1/2")	4
13	•UP04099	MUFFLER GUARD	1
14	82541	SCREW-Thread Forming (10-14 X 1/2")	2

Item No.	Torque Specs		Required Loctite
	In/Lbs	Nm	
9	55-65	6.2-7.3	Red 262
12	35-45	4.0-5.1	Red 262
14	5-20	.6-2.3	

### CARBURETOR - FUEL TANK

Trim N' Edge™ .....(UT20747, UT20772, UT20772A)  
 K200 .....(UT20750, UT20781)  
 Easy Reach™ .....(UT20749, UT20758, UT20769  
 UT20769A, UT20785)  
 Power Trim™ .....(UT20748, UT20771)  
 ST2517CRG .....(UT20819, UT20820)



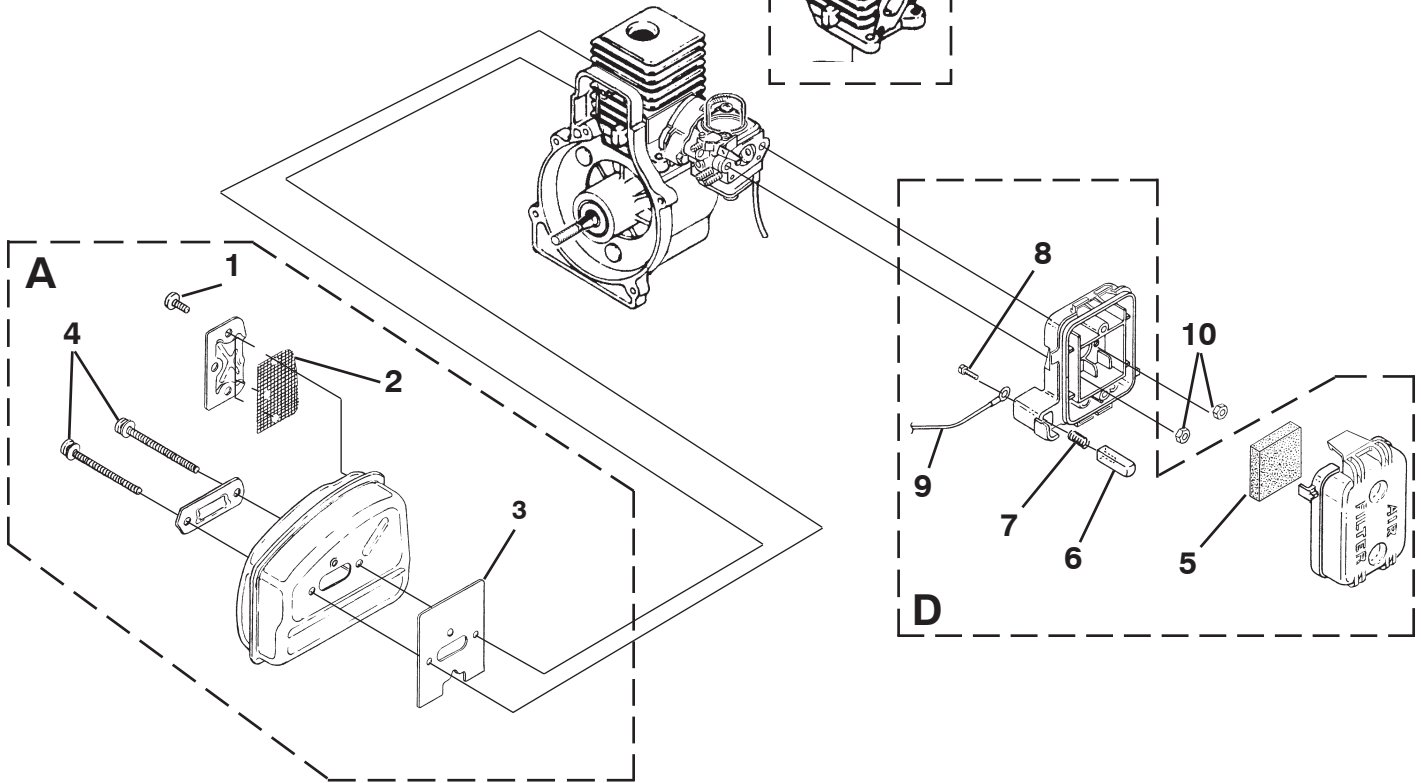
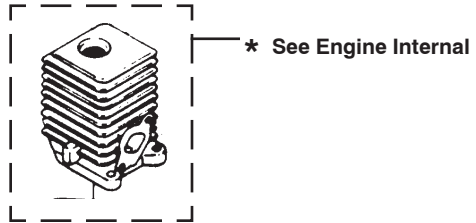
No.	Part No.	Description	Qty.
1	06900A	GASKET-Heat Dam	1
2	04474	SCREW-Machine (10-24 X 2 1/4")	2
3	98768A	HEAT DAM	1
4	093221	SCREW-Sems (10-24 X 1")	2
<b>B1</b>	•UP00608	CARBURETOR KIT (UT20747, UT20749, UT20750, UT20758, UT20748, UT20820)	1
5a	98766A	GASKET-Carburetor	1
6a	UP04278	LEVER-Choke (Zama)	1
7a	UP04803	BULB-Primer	1
<b>B2</b>	•984534001	CARBURETOR KIT (UT20769, UT20769A, UT20772, UT20772, UT20781, UT20785, UT20771, UT20819)	1
5b	98766A	GASKET-Carburetor	1

No.	Part No.	Description	Qty.
<b>F</b>	•UP00020A	FUEL TANK ASSY.	1
8	PS03380	FILTER-Fuel	1
9	0143918	TUBING-Rubber	1
10	0143910	TUBING-Rubber	1
11	9477213	TUBING-Rubber	1
12	A09116	FUEL CAP	1
13	98792	BUMPER-Rubber	3
14	07332	FITTING-Inline	1
15	98268	CLAMP	1

Torque Specs			
Item No.	In/Lbs	Nm	Required Loctite
4	35-45	4.0-5.1	Red 262

### MUFFLER - AIR CLEANER

Trim N' Edge™	.....(UT20747)
K200	.....(UT20750)
Easy Reach™	.....(UT20749, UT20758)
Power Trim™	.....(UT20748)
ST2517CRG	.....(UT20820)

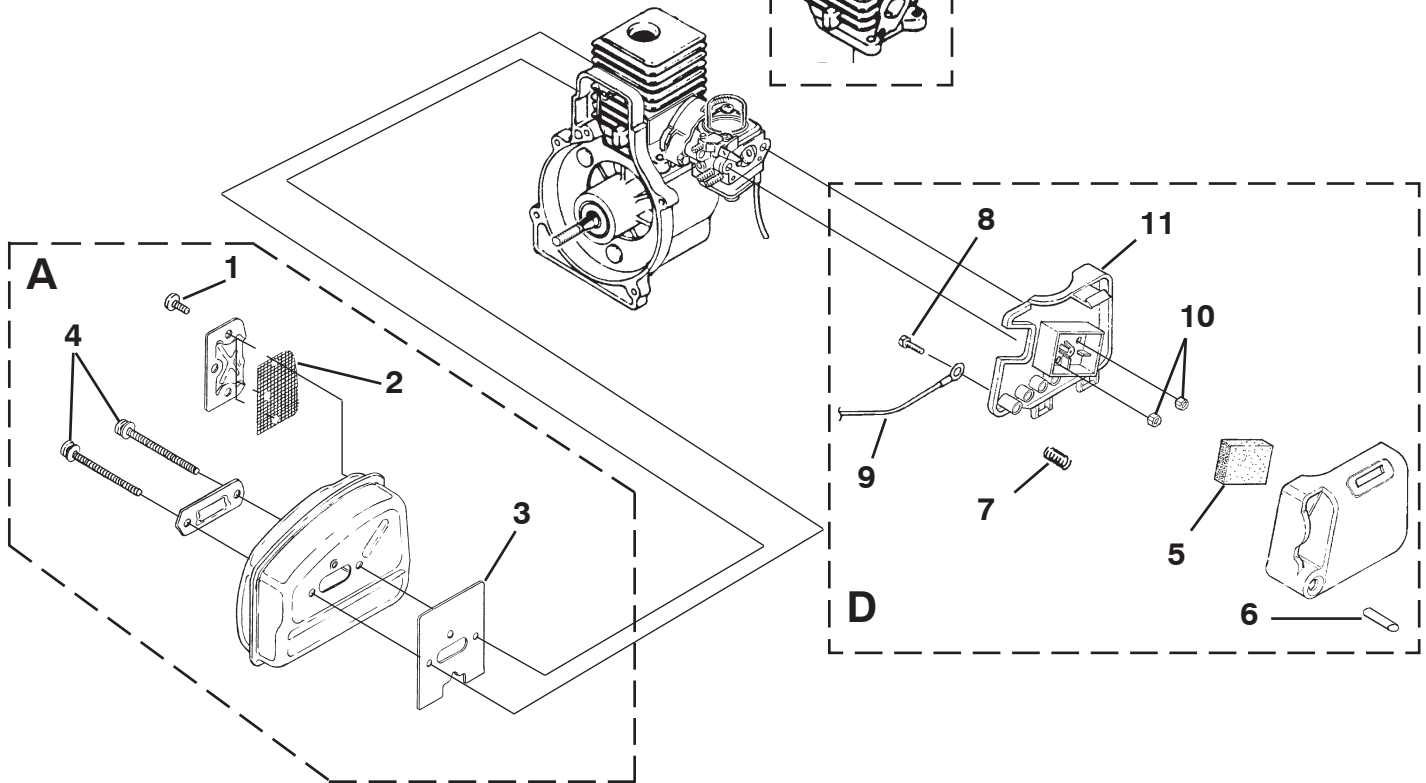
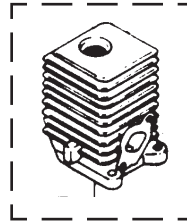


No.	Part No.	Description	Qty.
<b>A</b>	• PA01073	MUFFLER ASSY.	1
1	82600	SCREW-Taptite- (8-32 X 3/8")	3
2	06502	SCREEN-Spark	1
3	PS04000	GASKET-Muffler	1
4	PS03999	SCREW-Truss Hd. - (10-24 X 2.188)	2
<b>D</b>	• A04707A	AIR FILTER KIT	1
5	98760	FILTER-Air	1
6	98769	BUTTON-Switch	1
7	95020A	SPRING-Compression	1
8	82513	SCREW-Thread Form (6-19 x 1/2")	1
9	A07238	LEAD-Electrical	1
10	81208	NUT-Hex (10-24)	2

Item No.	Torque Specs		Required Loctite
	In/Lbs	Nm	
1	25-35	2.8-4.0	
4	50-60	5.6-6.8	
8	5-10	.6-1.1	
10	30-40	3.4-4.5	

**MUFFLER - AIR CLEANER**

Trim N' Edge™ .....(UT20772, UT20772A)  
 K200 .....(UT20781)  
 Easy Reach™ .....(UT20769, UT20769A  
 UT20785)  
 Power Trim™ .....(UT20771)  
 ST2517CRG .....(UT20819)

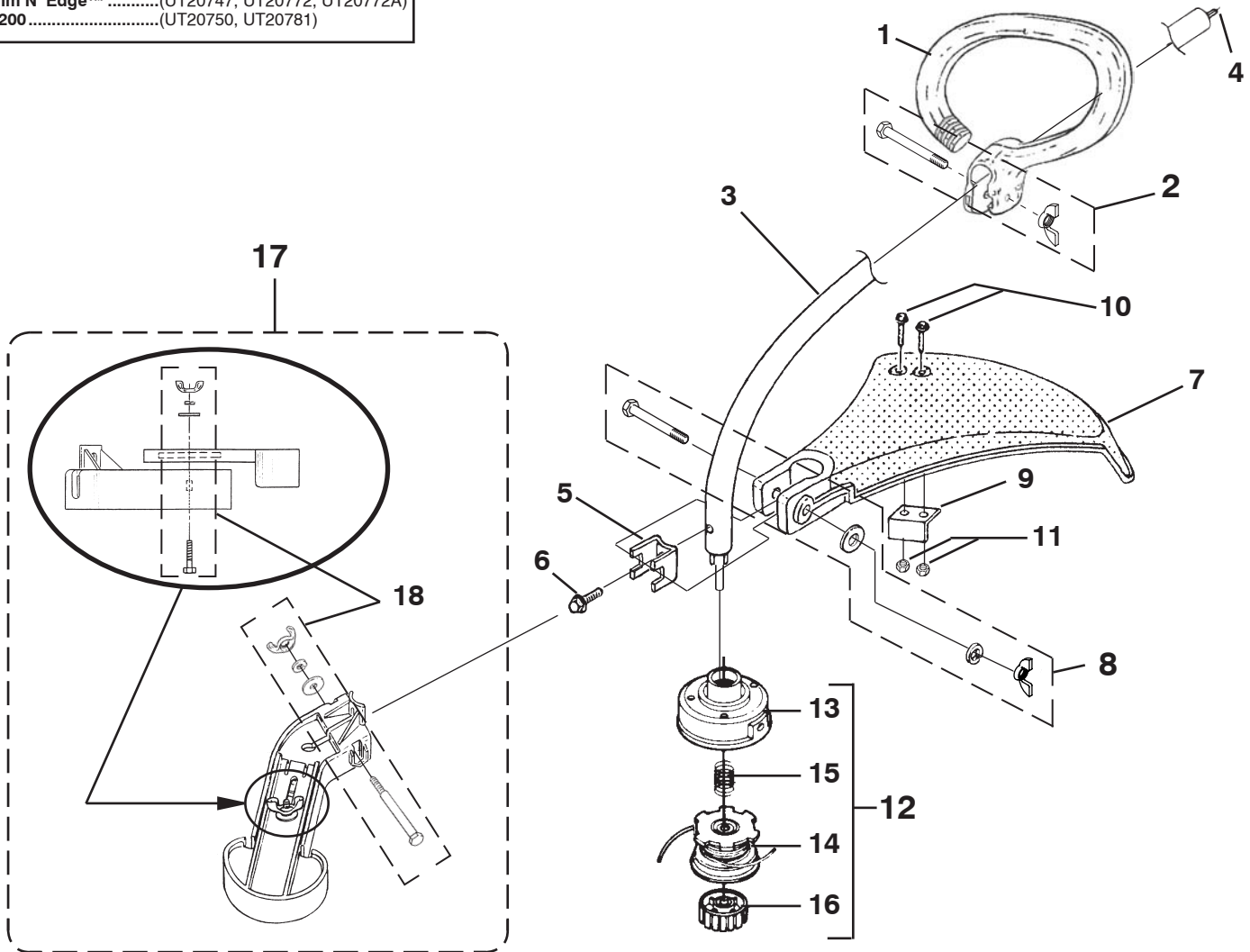


No.	Part No.	Description	Qty.
<b>A</b>	• PA01073	MUFFLER ASSY.	1
1	82600	SCREW, Taptite- (8-32 X 3/8")	3
2	06502	SCREEN-Spark	1
3	PS04000	GASKET-Muffler	1
4	PS03999	SCREW, Truss Hd. - (10-24 X 2.188)	2
<b>D</b>	• UP04741A	AIR FILTER KIT	1
5	98760	FILTER-Air	1
6	06618A	BUTTON-Switch	1
7	95020A	SPRING-Compression	1
8	82513	SCREW-Thread Form (6-19 x 1/2")	1
9	A07238	LEAD-Electrical	1
10	81208	NUT-Hex (10-24)	2
11	PS02156	COVER AIR BOX	1

Item No.	Torque Specs		Required Loctite
	In/Lbs	Nm	
1	25-35	2.8-4.0	
4	50-60	5.6-6.8	
8	5-10	.6-1.1	
10	30-40	3.4-4.5	

**SHAFT - SPOOL & STRING - GRASS DEFLECTOR**

Trim N' Edge™ .....(UT20747, UT20772, UT20772A)  
 K200.....(UT20750, UT20781)

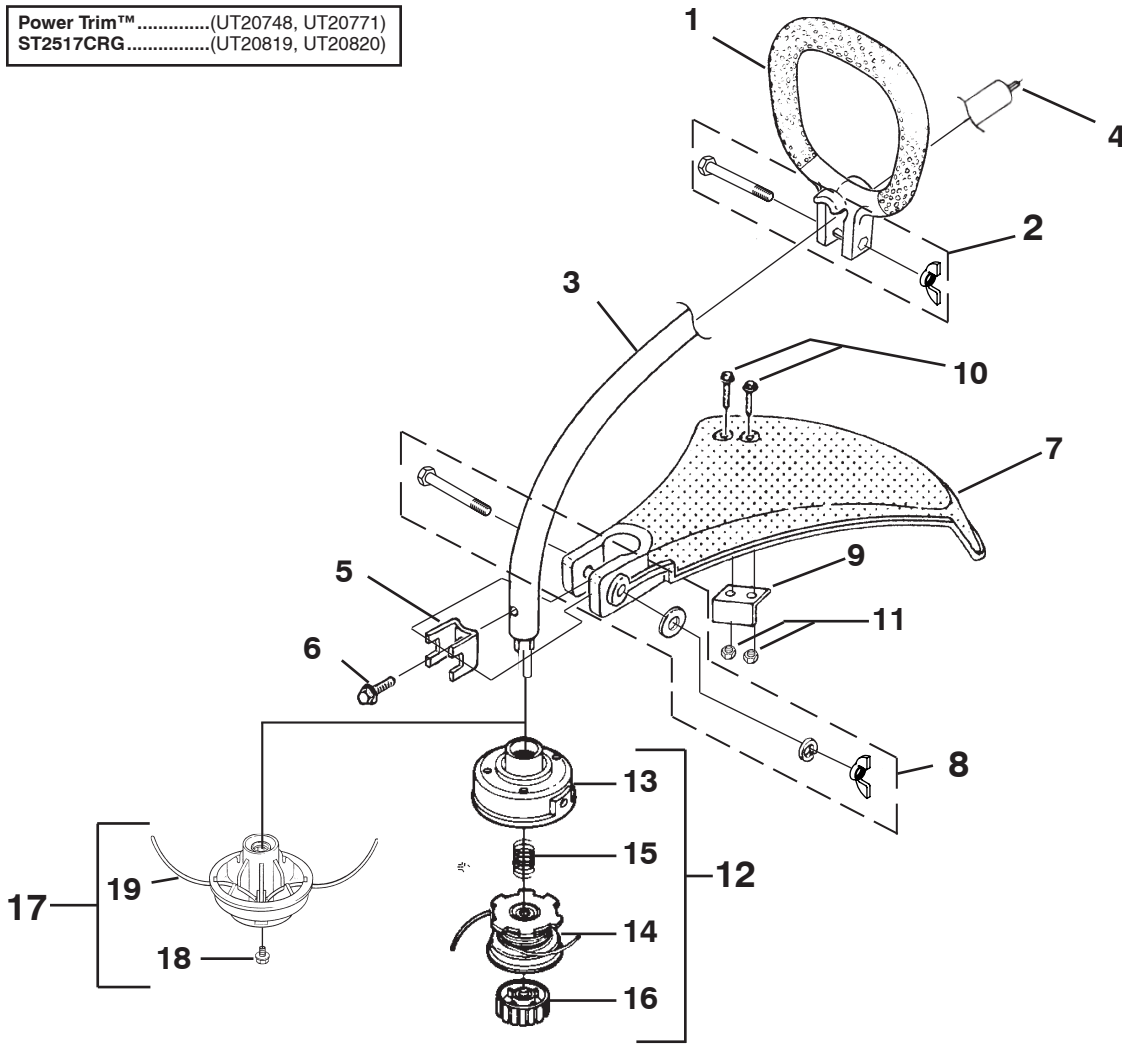


No.	Part No.	Description	Qty.
1	•UP06959A	HANDLE ASSY.-Front	1
2	PA00249	FASTENER PARTS KIT	1
3	•PA00472A	DRIVESHAFT HOUSING ASSY.	1
4	PS01502	SHAFT-Flexible	1
5	07928	CLAMP	1
6	983823001	SCREW-T.F. Hex Hd. (10-32 X 3/8")	1
7	•UP06710A	DEFLECTOR & BLADE KIT (55 Deg.)	1
8	PA00249	FASTENER PARTS KIT	1
9	•UP04119	BLADE-Cut-Off	1
10	82531	SCREW-Mach. Hex Hd. (10-24 X 7/8")	2
11	81261	NUT-Hex (10-24)	2
12	•UP04408	STRINGHEAD-Complete	1
13	A98231A	HOUSING & EYELET (Dual Line)	1
14	PA0387A	SPOOL & STRING (.080" Line)	1
15	06713	SPRING-Compression	1
16	A98866A	RETAINER-Spool (RH Thread, Black)	1
17	•984610001	EDGER GUIDE KIT	1
18	A09361	FASTENER PARTS KIT EDGER	1
19	PS05739	OPERATOR'S MANUAL (NOT SHOWN)	1

Item No.	Torque Specs		Required Loctite
	In/Lbs	Nm	
2	Hand Tight		
6	15-25	1.7-2.8	
8	Hand Tight		
11	30-40	3.4-4.5	

**SHAFT - SPOOL & STRING - GRASS DEFLECTOR**

Power Trim™.....(UT20748, UT20771)  
 ST2517CRG.....(UT20819, UT20820)



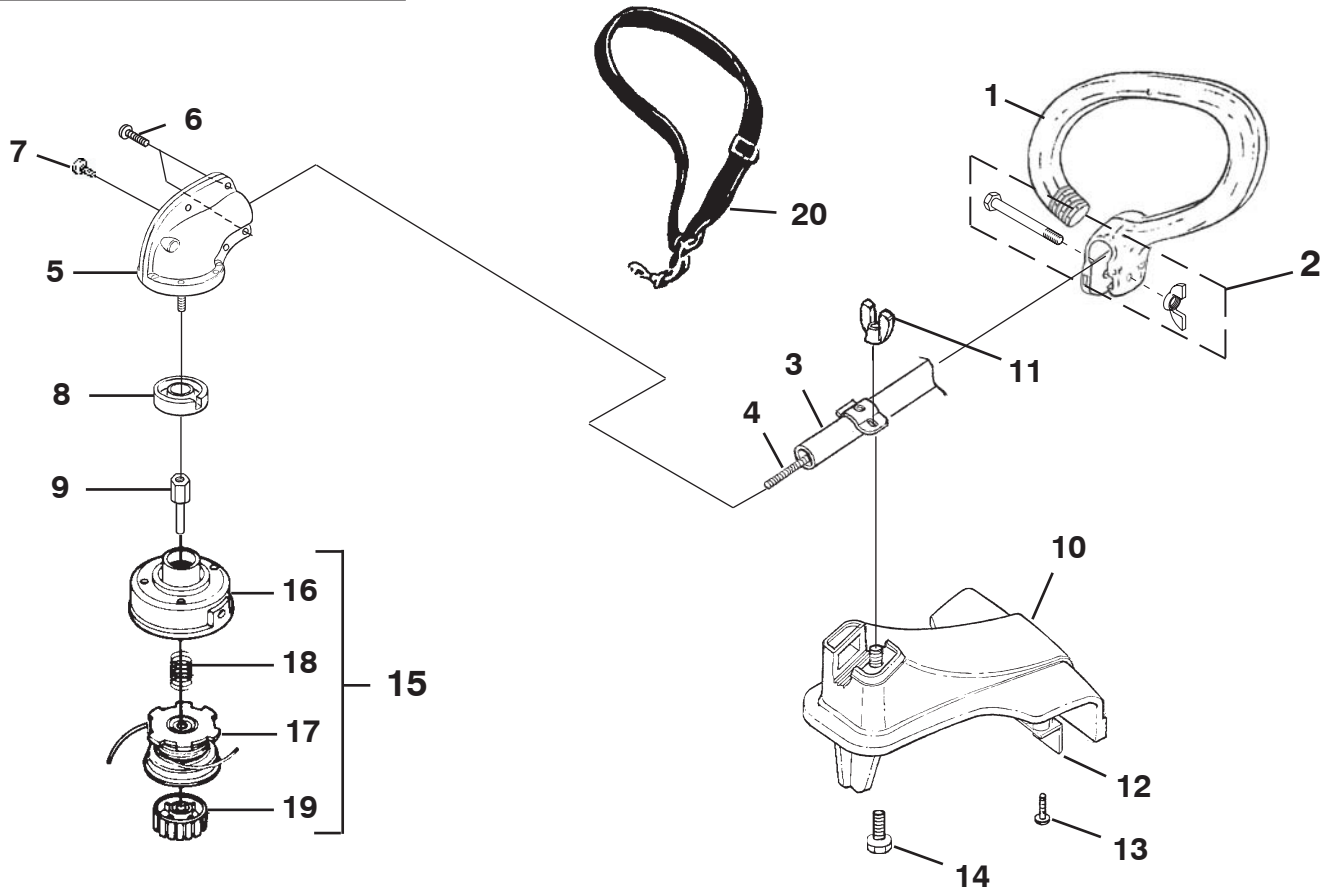
No.	Part No.	Description	Qty.
1	• UP03010A	HANDLE ASSY.-Front	1
2	PA00249	FASTENER PARTS KIT	1
3	• PA00472A	DRIVESHAFT HOUSING ASSY.	1
4	PS01502	SHAFT-Flexible	1
5	07928	CLAMP	1
6	983823001	SCREW-T.F. Hex Hd. (10-32 X 3/8")	1
7	• UP06710A	DEFLECTOR & BLADE KIT (55 Deg.)	1
8	PA00249	FASTENER PARTS KIT	1
9	• UP04119	BLADE-Cut-Off	1
10	82531	SCREW-Mach. Hex Hd. (10-24 X 7/8")	2
11	81261	NUT-Hex (10-24)	2
12	• UP04408	STRINGHEAD-Complete	1
13	A98231A	HOUSING & EYELET (Dual Line)	1
14	PA0387A	SPOOL & STRING (.080" Line)	1
15	06713	SPRING-Compression	1
16	A98866A	RETAINER-Spool (RH Thread, Black)	1
17	• DA09364A	STRINGHEAD-Pro-Cut w/line (UT20819, UT20820)	1
18	PS00082	SCREW-Stringhead Retainer	1
19	PS00319	LINE-Replacement	1

Item No.	Torque Specs		Required Loctite
	In/Lbs	Nm	
2	.....	.....	Hand Tight
6	.....	.....	15-25 1.7-2.8
8	.....	.....	Hand Tight
11	.....	.....	30-40 3.4-4.5



**SHAFT - SPOOL & STRING - GRASS DEFLECTOR**

Easy Reach™ .....(UT20749, UT20758  
UT20769, UT20769A, UT20785)



No.	Part No.	Description	Qty.
1	• UP06959A	HANDLE-Anti-Vibe	1
2	PA00249	FASTENER PARTS KIT	1
3	• PA00983A	DRIVESHAFT HOUSING ASSY.	1
4	98818	SHAFT-Flexible	1
5	• UP06970A	GEARHEAD	1
6	82597	Screw, Taptite Truss Hd. (10-24 x 5/8")	7
7	PS01605	Screw-Truss Hd. (10-24 x 1/2")	1
8	04168A	WASHER-Flanged	1
9	04355	ADAPTER-Shaft	1
10	• UP04888A	GRASS DEFLECTOR KIT	1
11	PS02453	WING NUT	1
12	07129	BLADE-Cut-off	1
13	82546	SCREW-T.F. (8-16 X 5/8")	2
14	PS02435	SCREW-Square Head	1
15	• UP04408	STRINGHEAD-Complete (.080" Line)	1
16	A98231A	HOUSING & EYELET (Dual Line)	1
17	PA0387A	SPOOL & STRING (.080" Line)	1
18	06713	SPRING-Compression	1
19	A98866A	RETAINER-Spool (RH Thread, Black)	1
20	944701	HARNESS	1
21	PS05741	OPERATOR'S MANUAL (NOT SHOWN)	1

Item No.	Torque Specs		Required Loctite
	In/Lbs	Nm	
2	Hand Tight		
6	38-50	4.3-5.6	
7	40-50	4.5-5.6	
9	120-150	13.6-17.0	
11	Hand Tight		
13	30-40	3.4-4.5	

**ACCESSORIES**

GREASE, MULTI-PURPOSE .....	18453	STRINGHEAD-Complete - E-Z Line™ .....	DA03001A (.080 Line) (Right Hand Thread) (Black Retainer)
MODULE AIR GAP SHIM.....	PS24306	REPLACEMENT STRING - E-Z Line™ (3 lb. Box).....	9801106 (.080" Dia.)
GRASS ANTI-WRAP KIT .....	A04191	STRINGHEAD-Complete-Pro-Cut™ Fixed Line Head .....	DA09364 (.105" Dia.)
STARTER ROPE (250 Ft. Reel) .....	98052A	REPLACEMENT DuraLine™ (.105" Dia.) .....	D09365 (Cartridges for Pro-Cut™ Fixed Line Head)
TORX BIT (T25) .....	UP06544 (For Clutch Drums)	SAFETY GOGGLES .....	A06933
TORX BIT (T27) .....	UP07160	DUST MASK.....	UP03036
IGNITION TEST SPARK PLUG.....	JA313164	COMFORT STRAP .....	UP00108
RUBBER TUBING (10 Ft.).....	UP05860		

**HOMELITE CONSUMER PRODUCTS, INC.**

1428 Pearman Dairy Road Anderson, SC 29625  
Post Office Box 1207, Anderson, SC 29622  
Phone 1-800-chainsa (1-800-242-4672)  
[www.homelite.com](http://www.homelite.com)

983000-375R  
3-18-05