

PARTS LIST

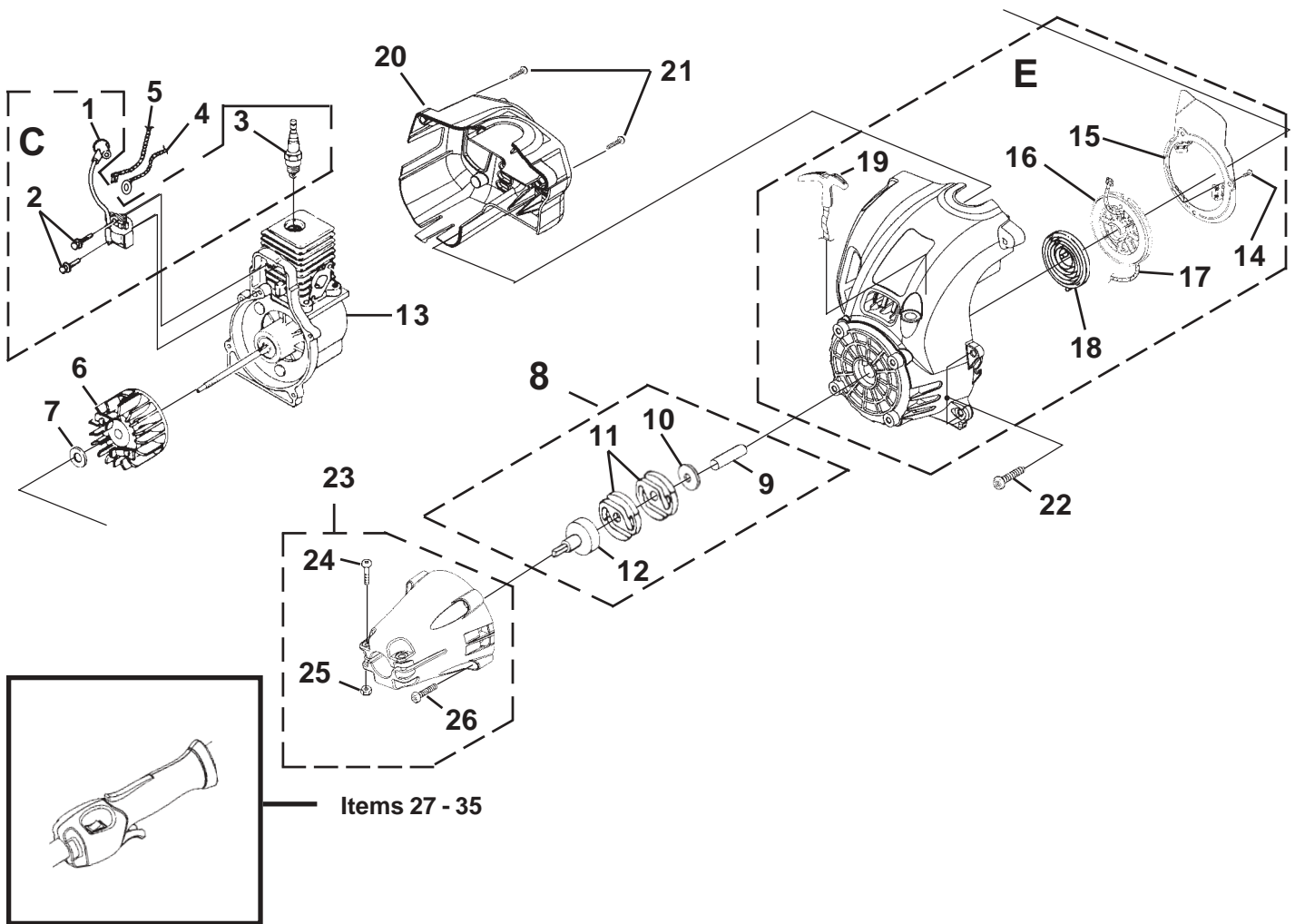
Trimmers/Brushcutters

C1200 UT20809

S1400 UT20810

BC1600 UT15198

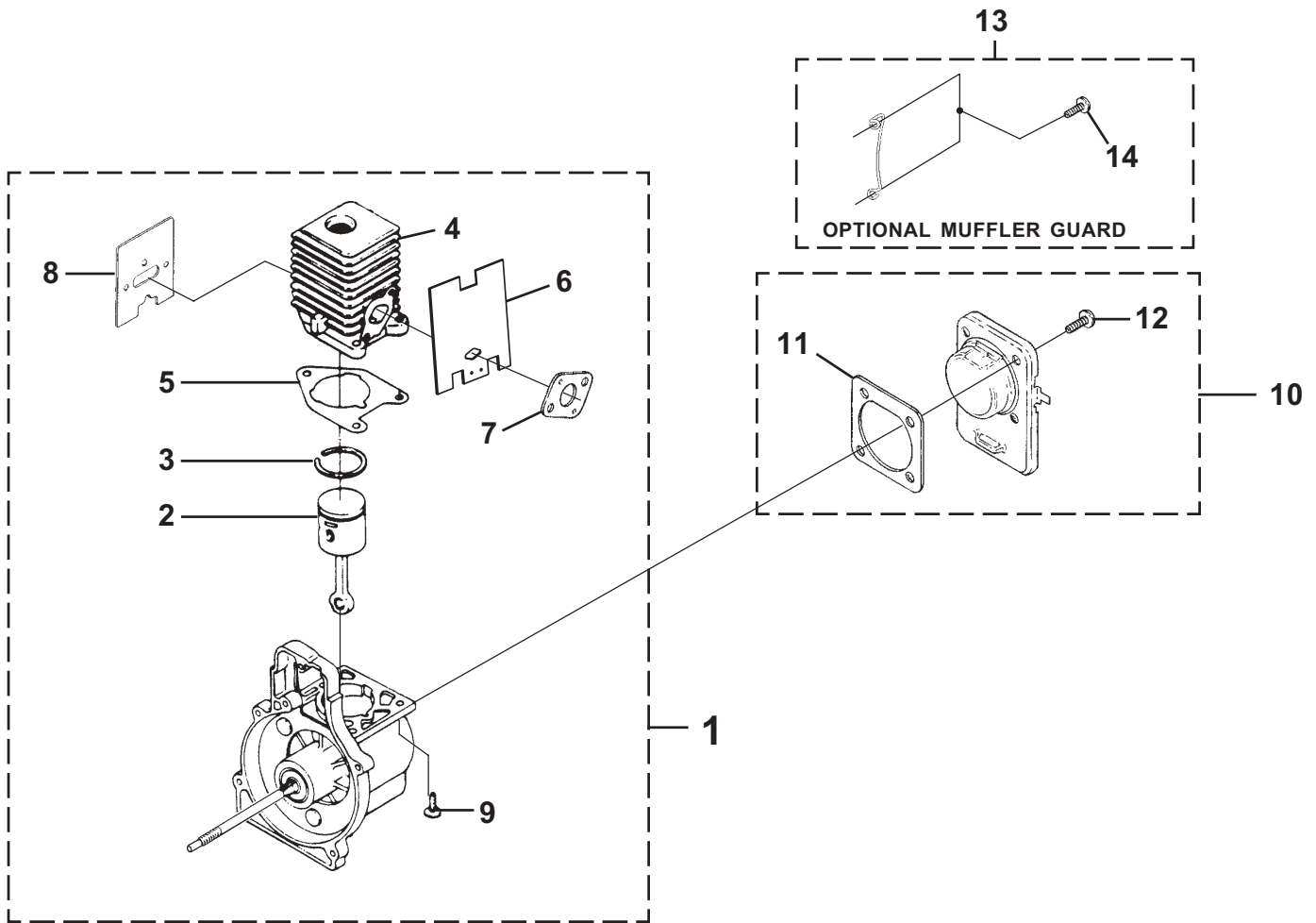
IGNITION - ROTOR - STARTER - CLUTCH



No.	Part No.	Description	Qty.
C	•983929001	IGNITION KIT	1
1	PS02762	IGNITION MODULE	1
2	82540	SCREW-Taptite (8-32 X 1")	2
3	PS02227	SPARK PLUG	1
4	A06964	LEAD-Electrical	1
5	A06963	LEAD-Electrical	1
6	984521001	ROTOR KIT	1
7	PS84065	WASHER-Flat	1
8	•UP 00034A	CLUTCH AND DRUM KIT	1
9	PS04300	SPACER	1
10	98929A	WASHER-Flat	1
11	00242	CLUTCH	2
12	PA01613	CONNECTOR AND DRUM	1
13	984546001	SHORT BLOCK (See Engine Internal)	1
E	•UP 06739A	COMPLETE STARTER ASSEMBLY	1
14	82543	SCREW-Thread Form (8-16 X 1/2")	3
15	PS01123	BAFFLE-Air	1
16	PS01122	PULLEY-Starter	1
17	9789902	ROPE-Starter (42")	1
18	A98773A	SPRING & CONTAINER	1
19	PS03480	GRIP-Starter	1
20	•UP 06920A	HOUSING-Rear Kit	1
21	82537	SCREW-Plastite (10-14 X 7/8")	2
22	82538	SCREW-Taptite (10-24 X 3/4")	4

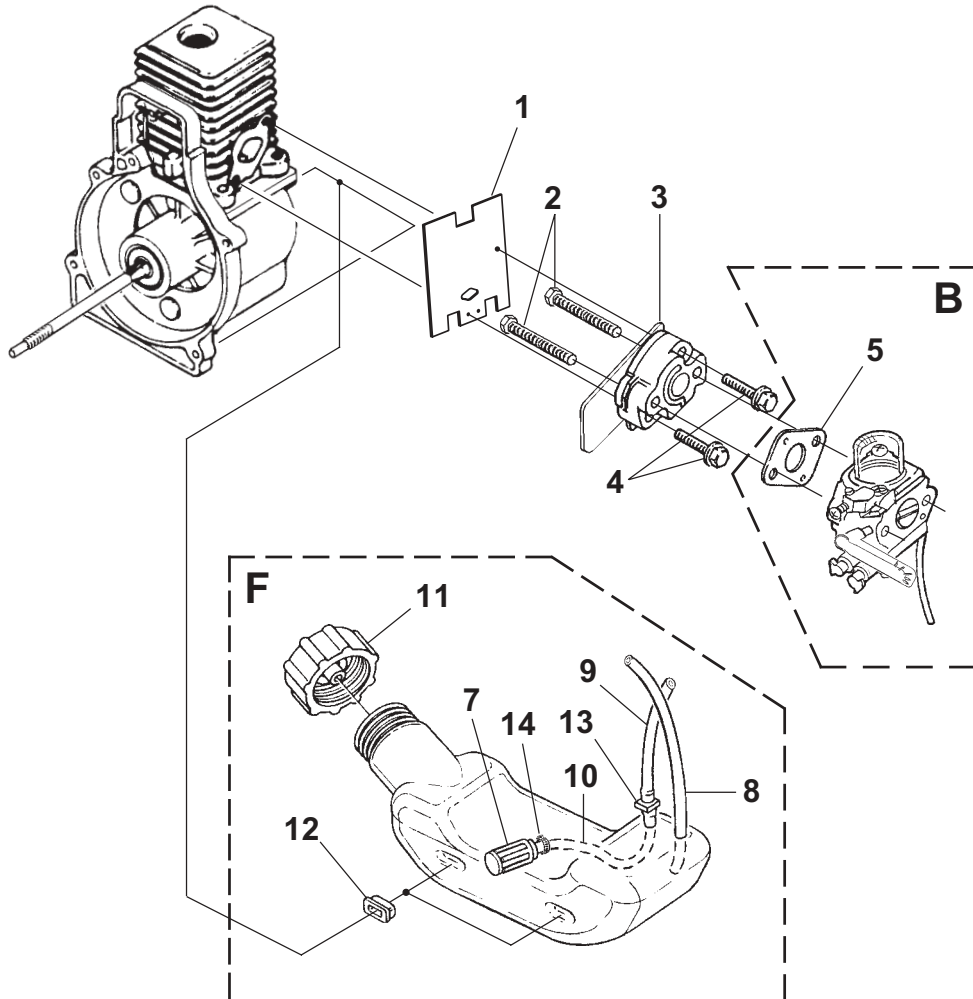
No.	Part No.	Description	Qty.
23	•UP 06922A	ADAPTOR	1
24	82556	SCREW-Torx Hd. (10-24 x 1.25")	2
25	07589	NUT-Flange	2
26	82563	SCREW-Torx Hd. (10-14 x 3/4")	4
27	•UP 06947A	CONTROL HANDLE ASSY.	1
28	PS04077	TRIGGER-Throttle	1
29	PS04227	SPRING-Extension	1
30	83024	WASHER-Lock (#6)	1
31	PS04075	THROTTLE LOCKOUT	1
32	PS04076	CABLE ARM	1
32	PS02764	SWITCH	1
33	82536	SCREW-Thread Form (8-16 x 3/4")	5
34	PS04162	CABLE-Throttle	1
35	PA00387	LEAD-Electrical	1

ENGINE INTERNAL



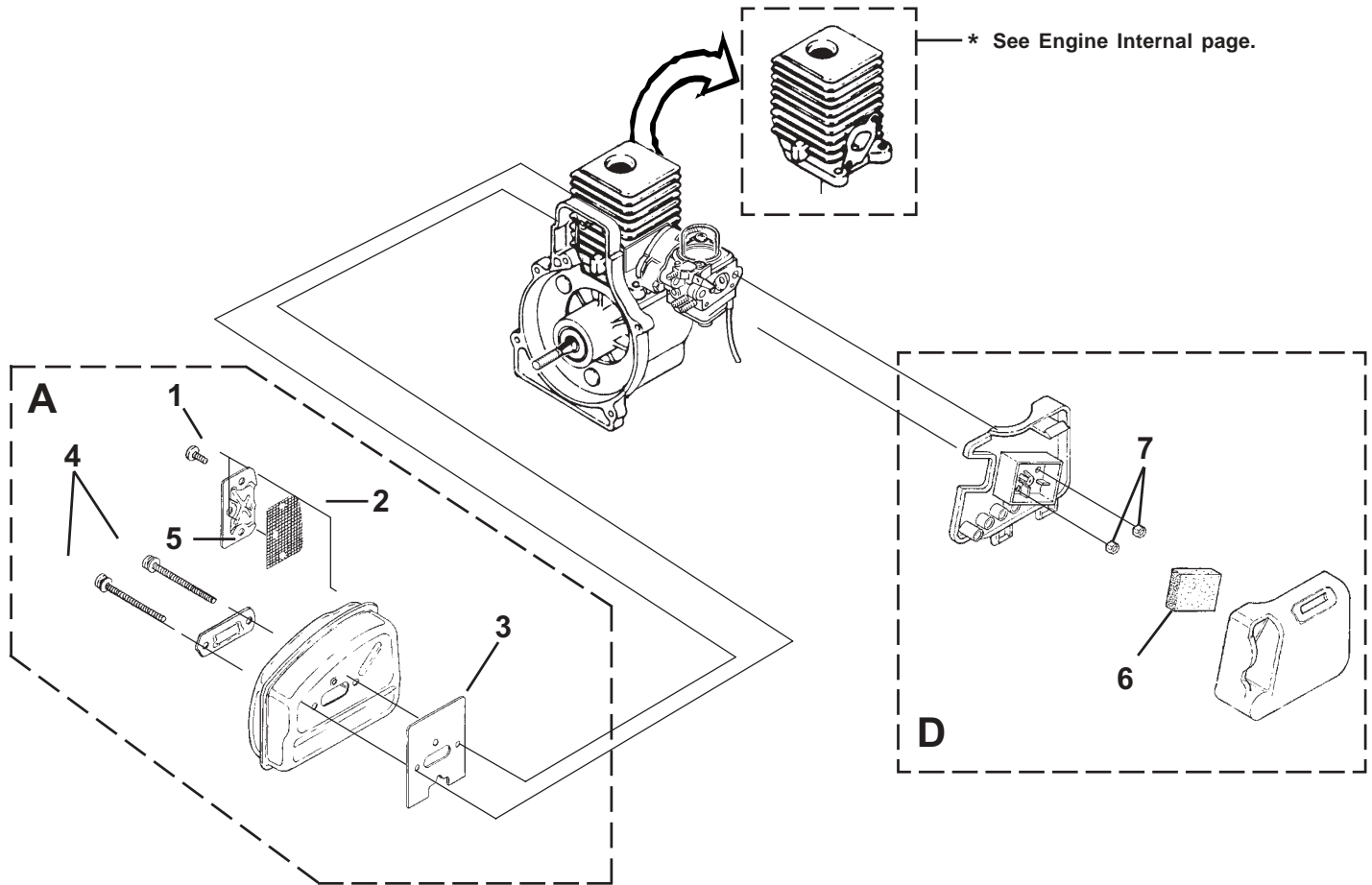
No.	Part No.	Description	Qty.
1	• 984546001	SHORT BLOCK	1
2	• UP06937A	PISTON & ROD ASSY.	1
3	PS03498	RING-Piston	2
4	• UP 06940	CYLINDER ASSY.	1
5	04388B	GASKET-Cylinder	1
6	06900A	GASKET-Heat Dam	1
7	98766A	GASKET-Carburetor	1
8	PS04000	GASKET-Muffler	1
9	PS02807	SCREW-Sems (12-24 X 3/4")	3
10	• UP 00019A	CRANKCASE COVER ASSEMBLY	1
11	06443A	GASKET-Crankcase Cover (Also included w/short block)	1
12	PS01565	SCREW-Sems (10-24 X 1/2")	4
13	• UP04099	MUFFLER GUARD	1
14	82541	SCREW-Plastite (10-14 X 1/2")	2

CARBURETOR - FUEL TANK



No.	Part No.	Description	Qty.
1	06900A	GASKET-Heat Dam	1
2	04474	SCREW-Machine (10-24 X 2 1/4")	2
3	98768A	HEAT DAM	1
4	093221	SCREW-Sems (10-24 X 1")	2
B	• 984549001	CARBURETOR KIT	1
5	98766A	GASKET-Carburetor	1
F	• UP 05396A	FUEL TANK ASSY.	1
7	PS03380	FILTER-Fuel	1
8	0143922	TUBING-Rubber	1
9	0143910	TUBING-Rubber	1
10	9477214	TUBING-Rubber	1
11	A09116	FUEL CAP	1
12	98792	BUMPER-Rubber	3
13	07332	FITTING-Inline	1
14	98268	CLAMP	1

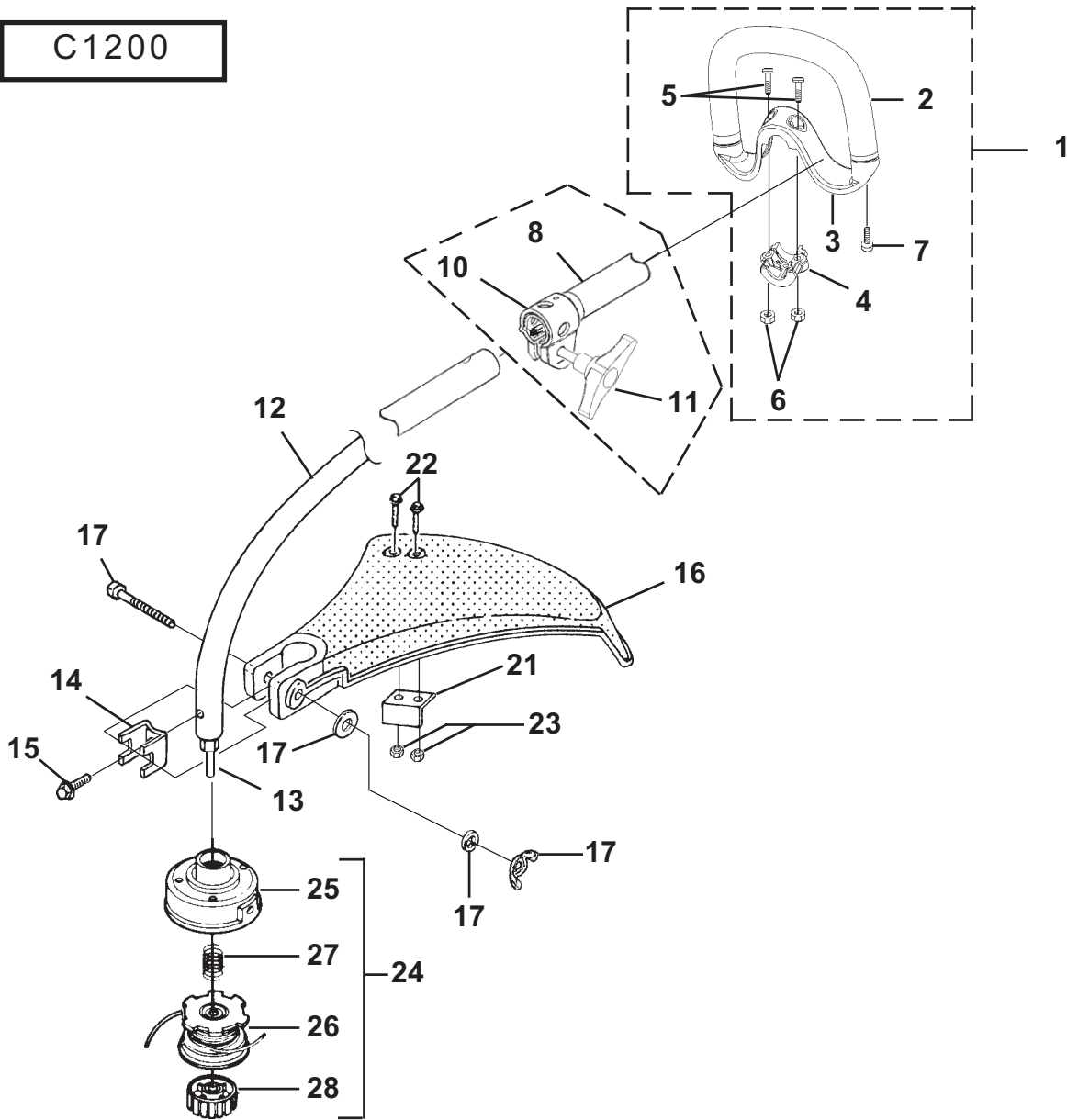
MUFFLER - AIR CLEANER



No.	Part No.	Description	Qty.
A	• PA01360	MUFFLER ASSY.	1
1	82600	SCREW, Taptite- (8-32 X 3/8")	3
2	06502	SCREEN-Spark	1
3	PS04000	GASKET-Muffler	1
4	PS03999	SCREW, Truss Hd. - (10-24 X 2")	2
5	065011	DEFLECTOR-Muffler	1
D	• UP 05084A	AIR FILTER KIT	1
6	98760	FILTER-AIR	1
7	81208	NUT-Hex (10-24)	2

SHAFT - SPOOL & STRING - GRASS DEFLECTOR

C1200

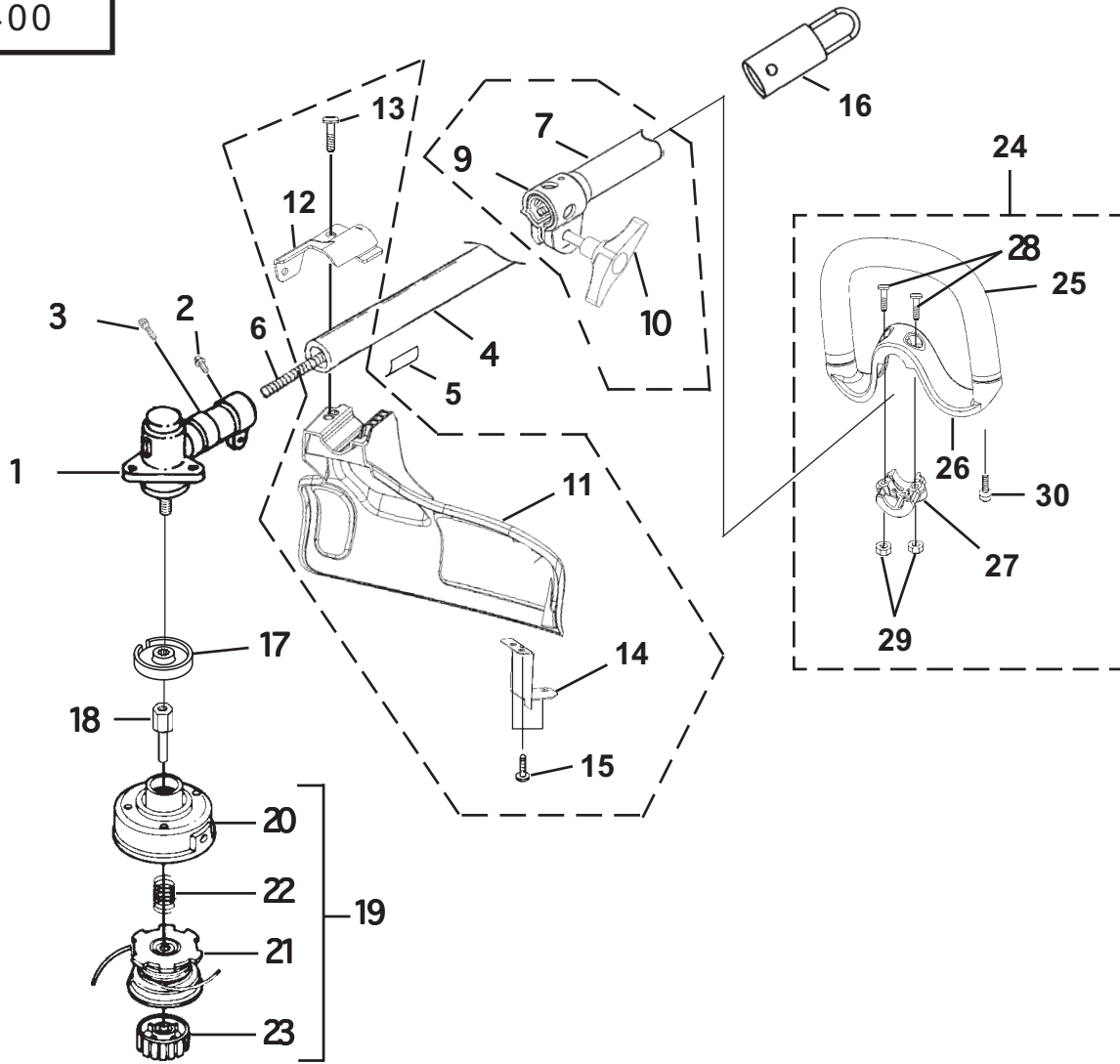


No.	Part No.	Description	Qty.
1	• UP 06948A	HANDLE-Complete	1
2	PS04069	HANDLE W/Grip	1
3	PS04070	CLAMP - "M"	1
4	PS04072	CLAMP-Assist Handle	1
5	PS04159	SCREW	2
6	81068	NUT	2
7	82620	SCREW	2
8	PA01527A	DRIVESHAFT ASSY. (Upper)	1
10	• UP 03839A	COUPLER ASSEMBLY	1
11	PS02071	KNOB	1
12	• UP 03851A	DRIVESHAFT HOUSING (Lower)	1
13	07674	SHAFT-Flex	1
14	07928	CLAMP	1
15	PS05243	SCREW-Sems Hex (10-24 X 3/8")	1

No.	Part No.	Description	Qty.
16	• UP06710A	DEFLECTOR & BLADE KIT (55 Deg.)	1
17	PA00249	SCREW-Cap Hex Hd. (1/4-20 X 2")	1
21	• UP 04119	BLADE-Cut-Off	1
22	82531	SCREW-Mech. Hex Hd. (10-24 X 7/8")	2
23	81208	NUT-Hex (10-24)	2
24	• UP 06950A	STRINGHEAD-Complete (.095")	1
25	A98231A	HOUSING & EYELET (Dual Line)	1
26	• UP06762A	SPOOL & STRING (.095")	1
27	06713	SPRING-Compression	1
28	A98866A	RETAINER-Spool (R.H. Thread, Black)	1

SHAFT - SPOOL & STRING - GRASS DEFLECTOR

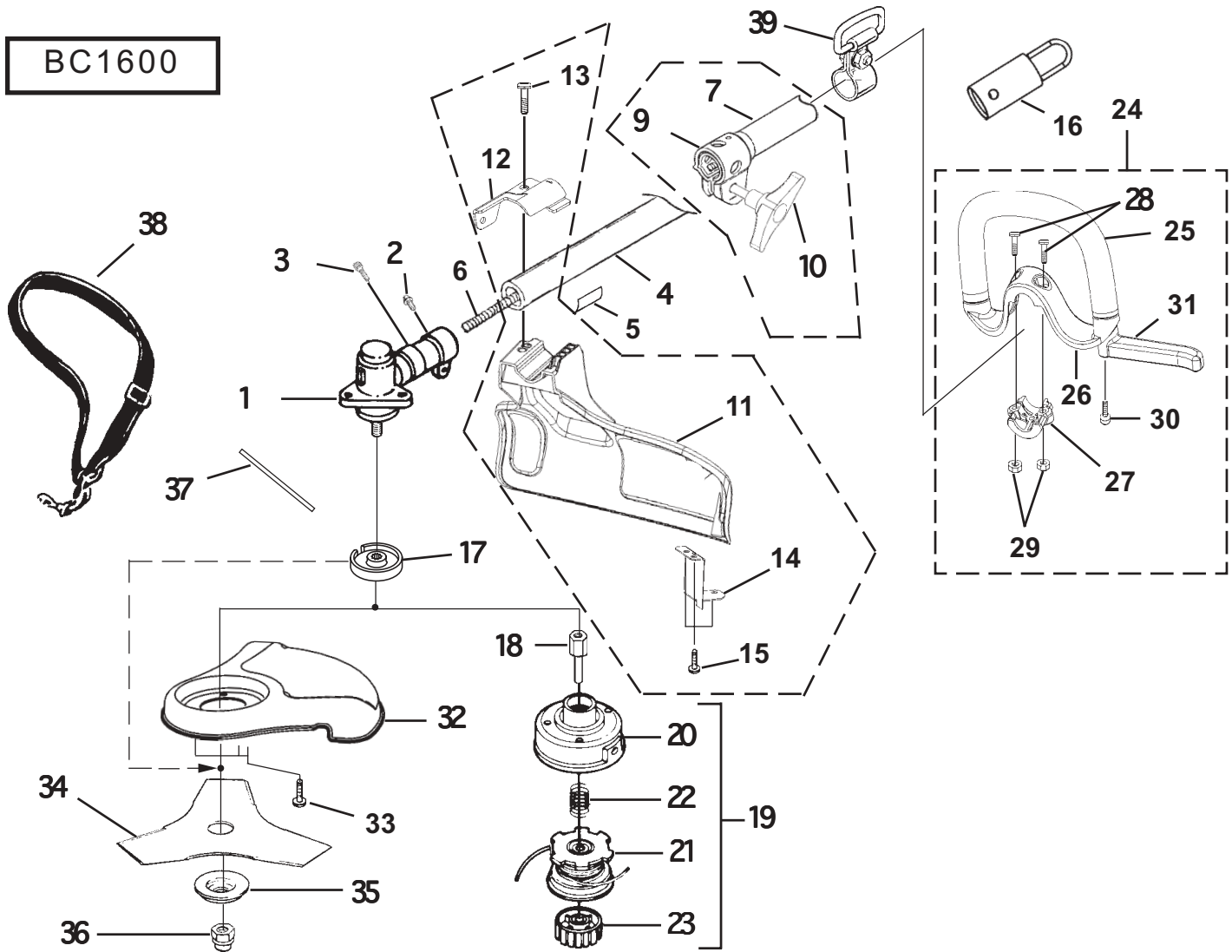
S1400



No.	Part No.	Description	Qty.
1	• UP 06866A	GEAR HEAD	1
2	983381007	Screw, Cap Hd. (1/4-20 X 1.25")	1
3	PS04673	Screw-Hex Hd. (10-24 x .625")	1
4	• UP 06903A	DRIVESHAFT HOUSING (Lower)	1
5	983751001	DECAL-Warning	1
6	A07679	SHAFT-Flexible	1
7	PA01527A	DRIVESHAFT HOUSING (Upper)	1
9	UP 03839A	COUPLER ASSEMBLY	1
10	PS02071	KNOB	1
11	• UP06909A	GRASS SHIELD	1
12	PS04420	CLAMP - Grass Shield	1
13	82554	SCREW-Hex Hd. (1/4-20 x 1.25")	1
14	PS04379	BLADE-Cut-off	1
15	82543	SCREW-Pan Hd. (8-16 x 1/2")	3
16	PS02155	END CAP	1
17	04168A	WASHER-Flanged	1
18	PS04438	ADAPTER-Stringhead	1

No.	Part No.	Description	Qty.
19	• UP06950A	STRINGHEAD-Complete (.095") Orange	1
20	A98231A	HOUSING & EYELET (Dual Line)	1
21	• UP06762A	SPOOL & STRING (.095") Orange	1
22	06713	SPRING-Compression	1
23	PA01271	RETAINER-Spool (L.H. Thread)	1
24	• UP 06948A	HANDLE-Complete	1
25	PS04069	HANDLE W/Grip	1
26	PS04070	CLAMP - "M"	1
27	PS04072	CLAMP-Assist Handle	1
28	PS04159	SCREW	2
29	81068	NUT	2
30	82620	SCREW	2

SHAFT - SPOOL & STRING - GRASS DEFLECTOR



No.	Part No.	Description	Qty.
1	• UP 06866 A	GEAR HEAD	1
2	983381007	Screw, Cap Hd. (1/4-20 X 1.25")	1
3	PS04673	Screw-Hex Hd. (10-24 x .625")	1
4	• UP 06903A	DRIVESHAFT HOUSING (Lower)	1
5	983751001	DECAL-Warning	1
6	A07679	SHAFT-Flexible	1
7	PA01527A	DRIVESHAFT HOUSING (Upper)	1
9	UP 03839A	COUPLER KIT	1
10	PS02071	KNOB	1
11	• UP 06909A	GRASS SHIELD	1
12	PS04420	CLAMP-Grass Shield	1
13	82554	SCREW-Hex Hd. (1/4-20 x 1.25")	1
14	PS04379	BLADE-Cut-off	1
15	82543	SCREW-Pan Hd. (8-16 x 1/2")	3
16	PS02155	END CAP	1
17	04168A	WASHER-Flanged	1
18	PS04438	ADAPTER-Stringhead	1
19	• UP06950A	STRINGHEAD-Complete (.095") Orange	1
20	A98231A	HOUSING & EYELET (Dual Line)	1
21	• UP06762A	SPOOL & STRING (.095") Orange	1
22	06713	SPRING-Compression	1
23	PA01271	RETAINER-Spool (L.H. Thread)	1

No.	Part No.	Description	Qty.
24	• UP 06923A	HANDLE w/Barrier-Complete	1
25	PS04069	HANDLE W/Grip	1
26	PS04070	CLAMP - "M"	1
27	PS04072	CLAMP-Assist Handle	1
28	PS04159	SCREW	2
29	81068	NUT	2
30	82620	SCREW	2
31	PS04071	BARRIER	1
32	PS03538	BLADE GUARD	1
33	88049	SCREW	3
34	06297	BLADE-Tri-Arc™	1
35	04409	WASHER-Cupped (Lower)	1
36	04277	NUT-Hex (L.H.)	1
37	00063	TOOL-Holding Pin	1
38	944701	HARNES	1
39	07255	HANGER-Complete 2/04/04	1