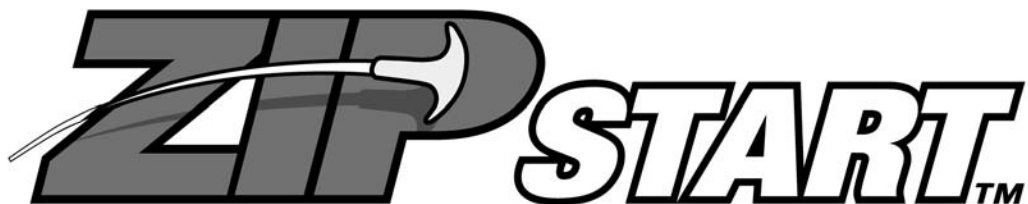


# Homelite®

## PARTS LIST



<b>VersaTool™</b>	UT20811, A, B, D
-------------------	------------------

**Quick-Tatch Attachments**

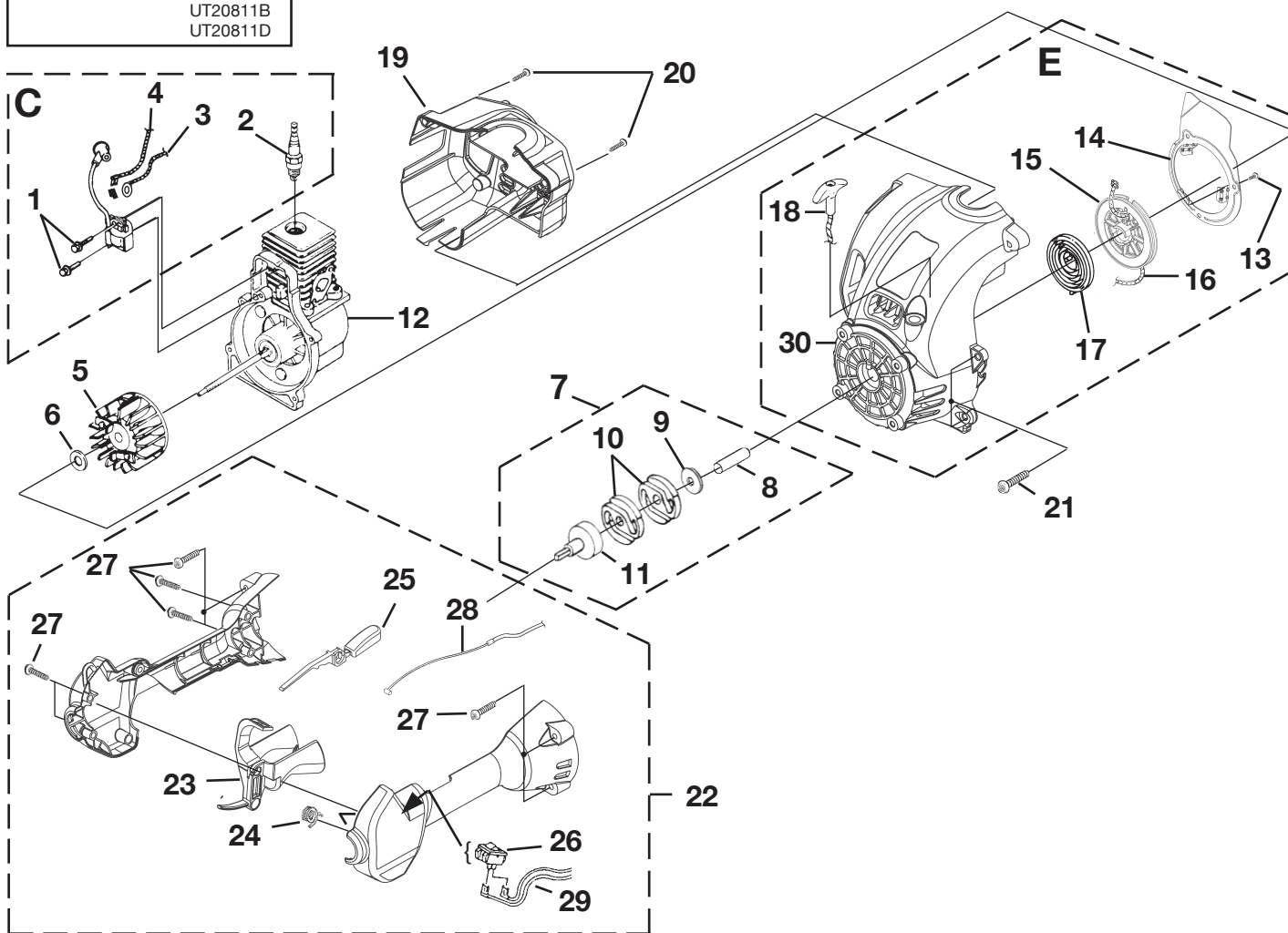
<b>Edger Attachment</b>	UT15518
-------------------------	---------

<b>Blower Attachment</b>	UT15519
--------------------------	---------

<b>Trimmer Attachment</b>	UT15522
---------------------------	---------

VersaTool™ .....UT20811  
 UT20811A  
 UT20811B  
 UT20811D

### IGNITION - ROTOR - STARTER - CLUTCH



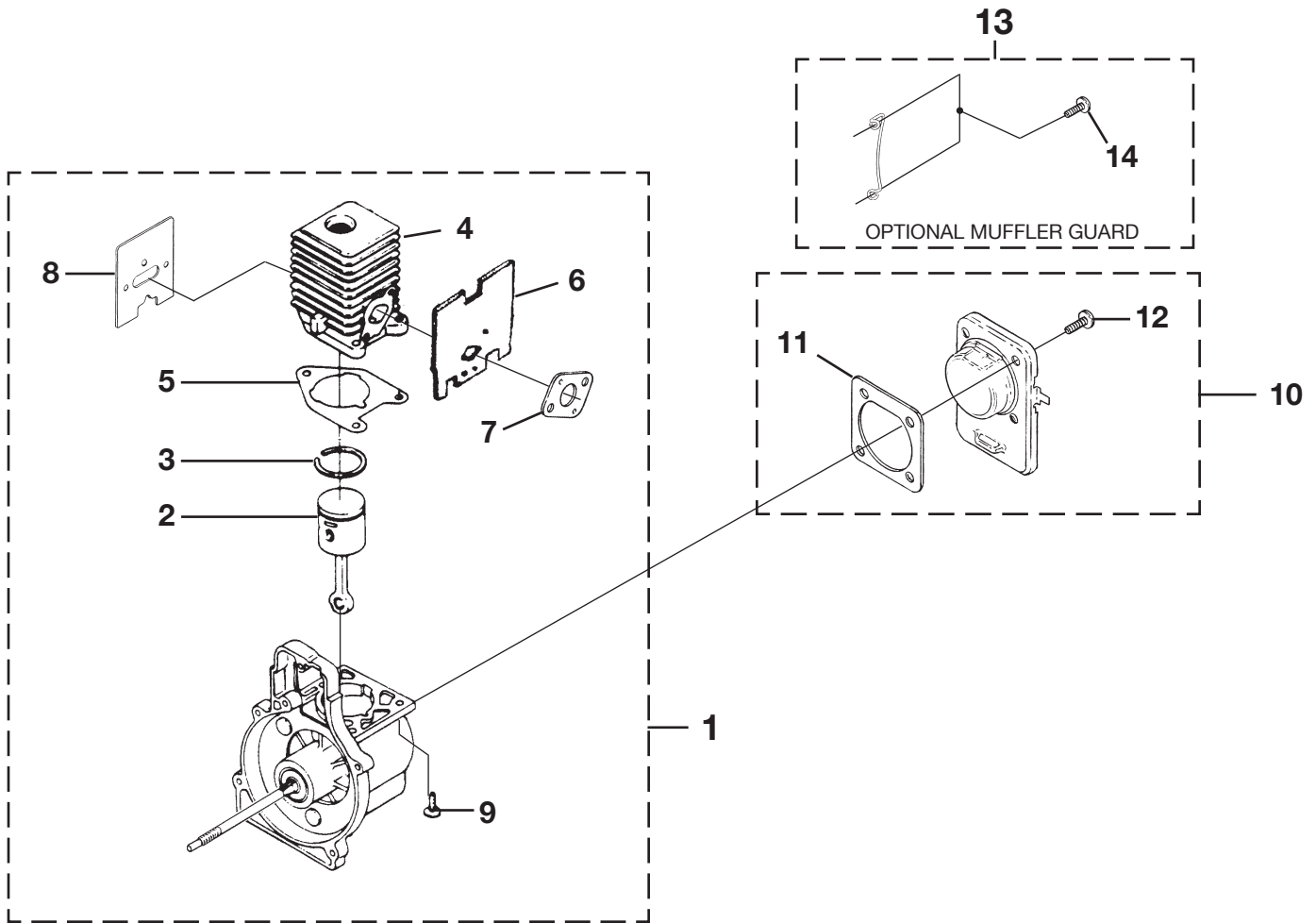
No.	Part No.	Description	Qty.
<b>C</b>	•UP05270	IGNITION KIT	1
1	82540	SCREW-Taptite (8-32 X 1")	2
2	PS02227	SPARK PLUG	1
3	A06964	LEAD-Electrical	1
4	A06963	LEAD-Electrical	1
5	984521-001	ROTOR KIT	1
6	PS84065	WASHER-Flat	1
7	•UP00034A	CLUTCH AND DRUM KIT	1
8	PS04300	SPACER	1
9	98929A	WASHER-Flat	1
10	00242	CLUTCH	2
11	PA01613	CONNECTOR AND DRUM	1
12	984546-001	SHORT BLOCK (See Engine Internal)	1
<b>E</b>	•UP02962A	COMPLETE STARTER ASSEMBLY	1
13	82543	SCREW-Thread Form (8-16 X 1/2")	3
14	PS01123	BAFFLE-Air	1
15	PS01122	PULLEY-Starter	1
16	9789902	ROPE-Starter (42")	1
17	A98773A	SPRING & CONTAINER	1
18	5946702	GRIP-Starter	1
19	PS01127	HOUSING-Rear	1
20	82537	SCREW-Plastite (10-14 X 7/8")	2
21	82538	SCREW-Taptite (10-24 X 3/4")	4

No.	Part No.	Description	Qty.
22	•UP06755A	CONTROL HANDLE ASSY.	1
23	PS01814	TRIGGER-Throttle	1
24	PS01718	SPRING	1
25	PS01128	THROTTLE INTERLOCK	1
26	PS02764	SWITCH	1
27	82589	SCREW-Taptite (10-14 X 1")	9
28	PS01177	CABLE-Throttle	1
29	PA00387	LEAD-Electrical	1
30	PA01165	Starter Housing W/Eyelet	1

Torque Specs			
Item No.	In/Lbs	Nm	Required Loctite
1	30-40	3.4-4.5	Blue 242
2	120-180	13.6-20.3	
13	10-20	1.1-2.3	
20	30-50	3.4-5.6	
21	30-40	3.4-4.5	
27	30-50	3.4-5.6	

**ENGINE INTERNAL**

VersaTool™ .....UT20811  
 UT20811B  
 UT20811D

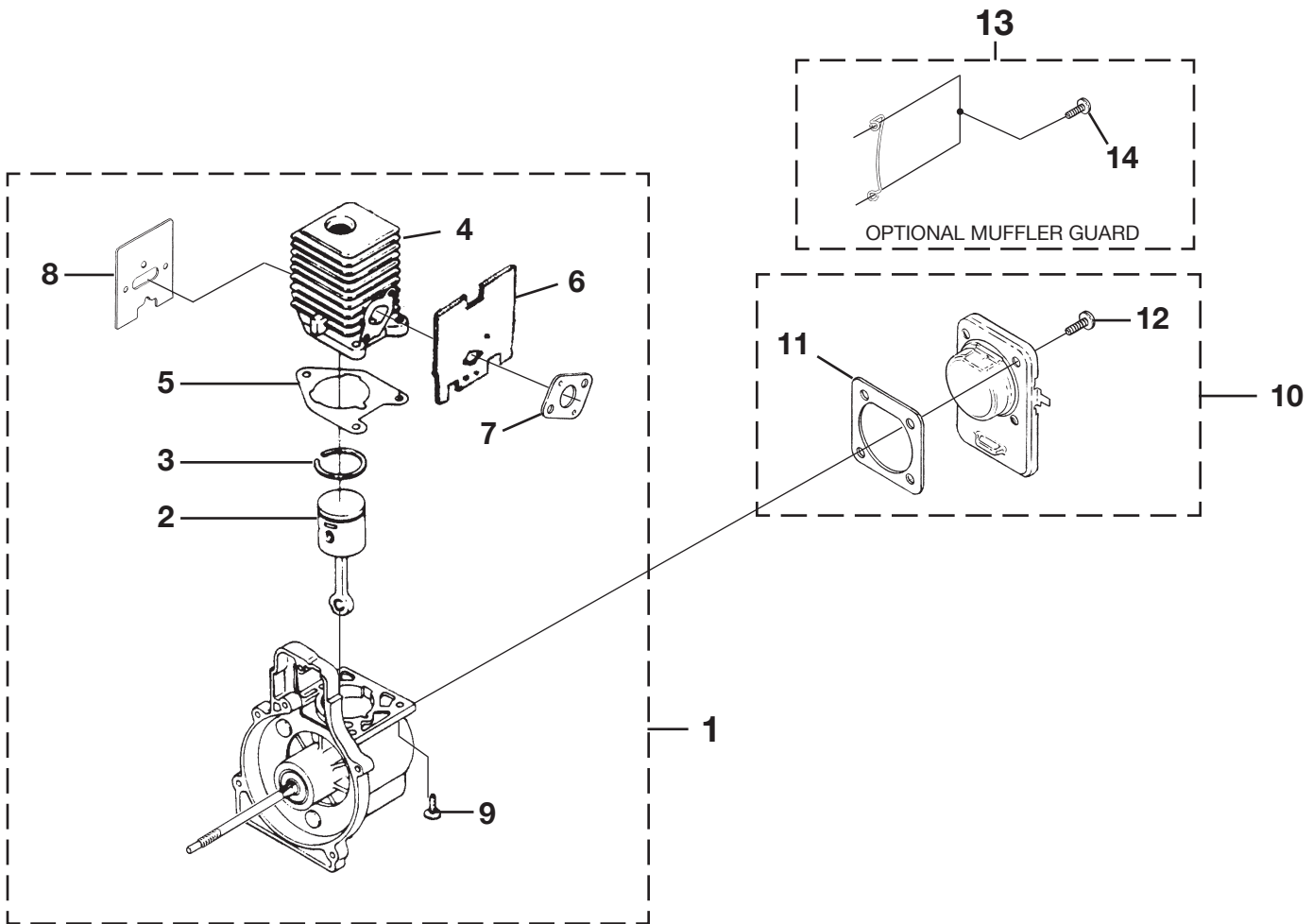


No.	Part No.	Description	Qty.
1	984546-001	SHORT BLOCK	1
2	UP06937A	PISTON & ROD ASSY.	1
3	985607001	RING-Piston	1
4	UP06940	CYLINDER ASSY.	1
5	985259001	GASKET-Cylinder	1
6	06900A	GASKET-Heat Dam	1
7	98766A	GASKET-Carburetor	1
8	09343	GASKET-Muffler	1
9	PS02807	SCREW-Sems (12-24 X 3/4")	3
10	•UP00019A	CRANKCASE COVER ASSEMBLY	1
11	08661	GASKET-Crankcase Cover (Also included w/short block)	1
12	PS01565	SCREW-Sems (10-24 X 1/2")	4
13	•09366	MUFFLER GUARD	3
14	82541	SCREW-Plastite (10-14 X 1/2")	2

Item No.	Torque Specs		Required Loctite
	In/Lbs	Nm	
9	55-65	6.2-7.3	Red 262
12	35-45	4.0-5.1	Red 262
14	5-20	.6-2.3	

**ENGINE INTERNAL**

VersaTool™ .....UT20811A

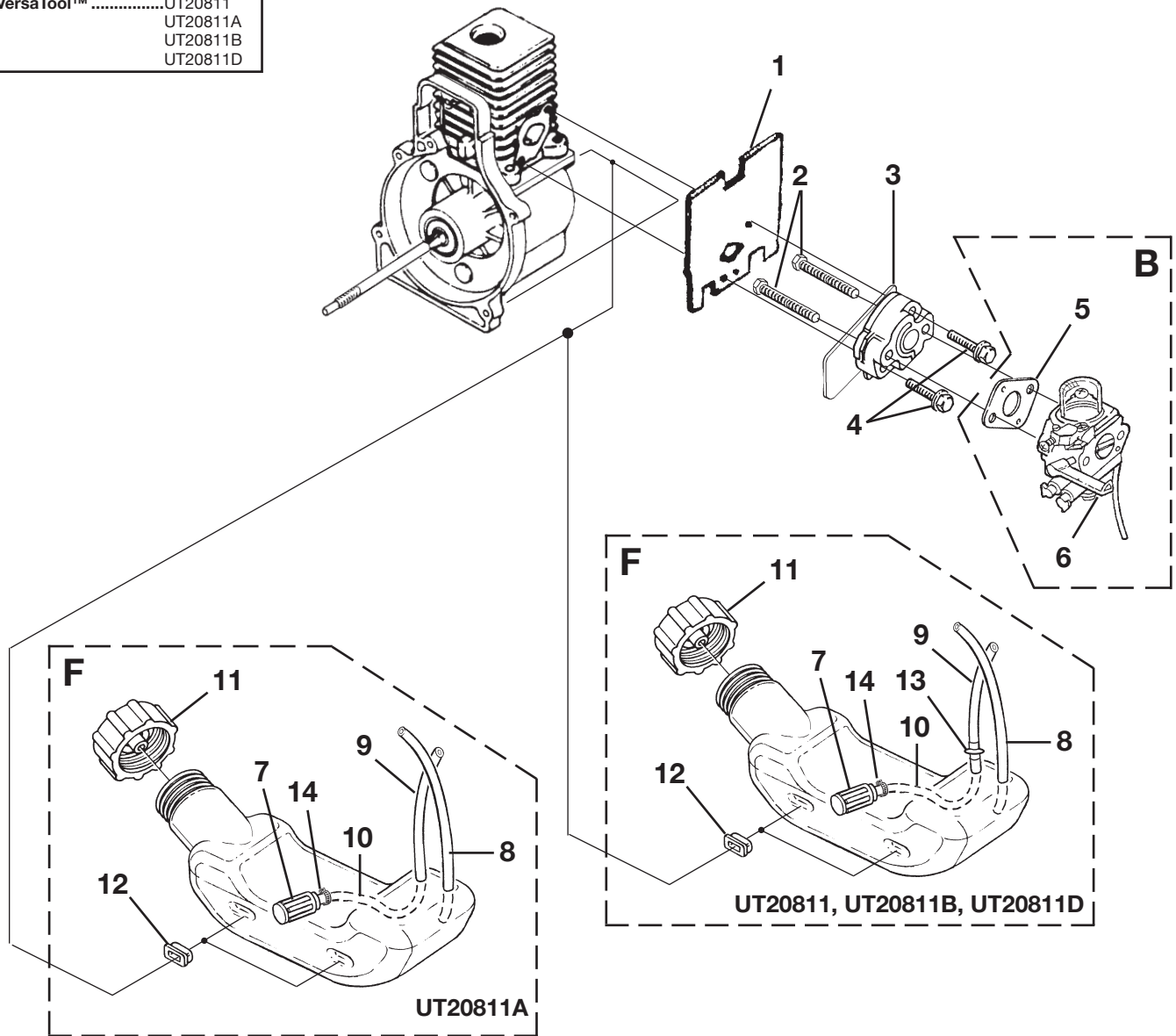


No.	Part No.	Description	Qty.
1	•UP06936A	SHORT BLOCK	1
2	•UP06937A	PISTON & ROD ASSY.	1
3	PS03498	RING-Piston	2
4	•UP06940	CYLINDER ASSY.	1
5	985259001	GASKET-Cylinder	1
6	06900A	GASKET-Heat Dam	1
7	98766A	GASKET-Carburetor	1
8	PS04000	GASKET-Muffler	1
9	PS02807	SCREW-Sems (12-24 X 3/4")	3
10	•UP00019A	CRANKCASE COVER ASSEMBLY	1
11	08661	GASKET-Crankcase Cover (Also included w/short block)	1
12	PS01565	SCREW-Sems (10-24 X 1/2")	4
13	09366	MUFFLER GUARD	3
14	82541	SCREW-Plastite (10-14 X 1/2")	2

Item No.	Torque Specs		Required Loctite
	In/Lbs	Nm	
9	55-65	6.2-7.3	Red 262
12	35-45	4.0-5.1	Red 262
14	5-20	.6-2.3	

**CARBURETOR - FUEL TANK**

VersaTool™ .....UT20811  
 UT20811A  
 UT20811B  
 UT20811D



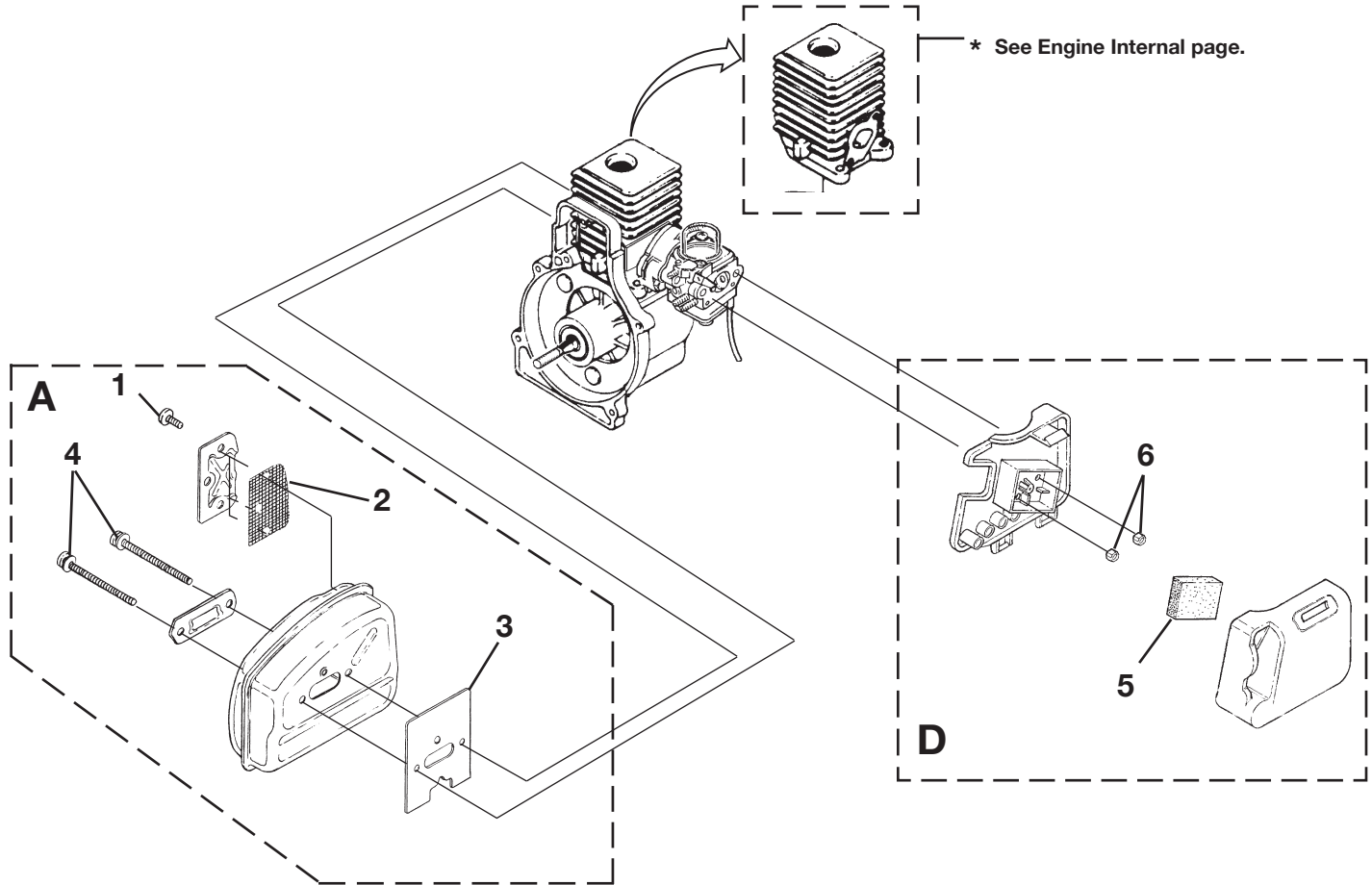
No.	Part No.	Description	Qty.
1	06900A	GASKET-Heat Dam	1
2	04474	SCREW-Machine (10-24 X 2 1/4")	2
3	98768A	HEAT DAM	1
4	093221	SCREW-Sems (10-24 X 1")	2
<b>B</b>	•UP05085A	CARBURETOR KIT	1
5	98766A	GASKET-Carburetor	1
6	PS02306	LEVER-Choke	1
<b>F</b>	•UP00020A	FUEL TANK ASSY. (UT20811 & B & D)	1
7	PS03380	FILTER-Fuel	1
8	0143918	TUBING-Rubber	1
9	0143910	TUBING-Rubber	1
10	9477213	TUBING-Rubber	1
11	A09116	FUEL CAP	1
12	98792	BUMPER-Rubber	3
13	07332	FITTING-Inline	1
14	98268	CLAMP	1

No.	Part No.	Description	Qty.
<b>F</b>	•UP08034A	FUEL TANK ASSY. (UT20811A)	1
7	PS03380	FILTER-Fuel	1
8	0143924	TUBING-Rubber (6")	1
9	0143931	TUBING-Rubber (7.75")	1
11	A09116	FUEL CAP	1
12	98792	BUMPER-Rubber	3
14	98268	CLAMP	1

Torque Specs			
Item No.	In/Lbs	Nm	Required Loctite
4	35-45	4.0-5.1	Red 262

**MUFFLER - AIR CLEANER**

VersaTool™ .....UT20811  
 UT20811A  
 UT20811B  
 UT20811D

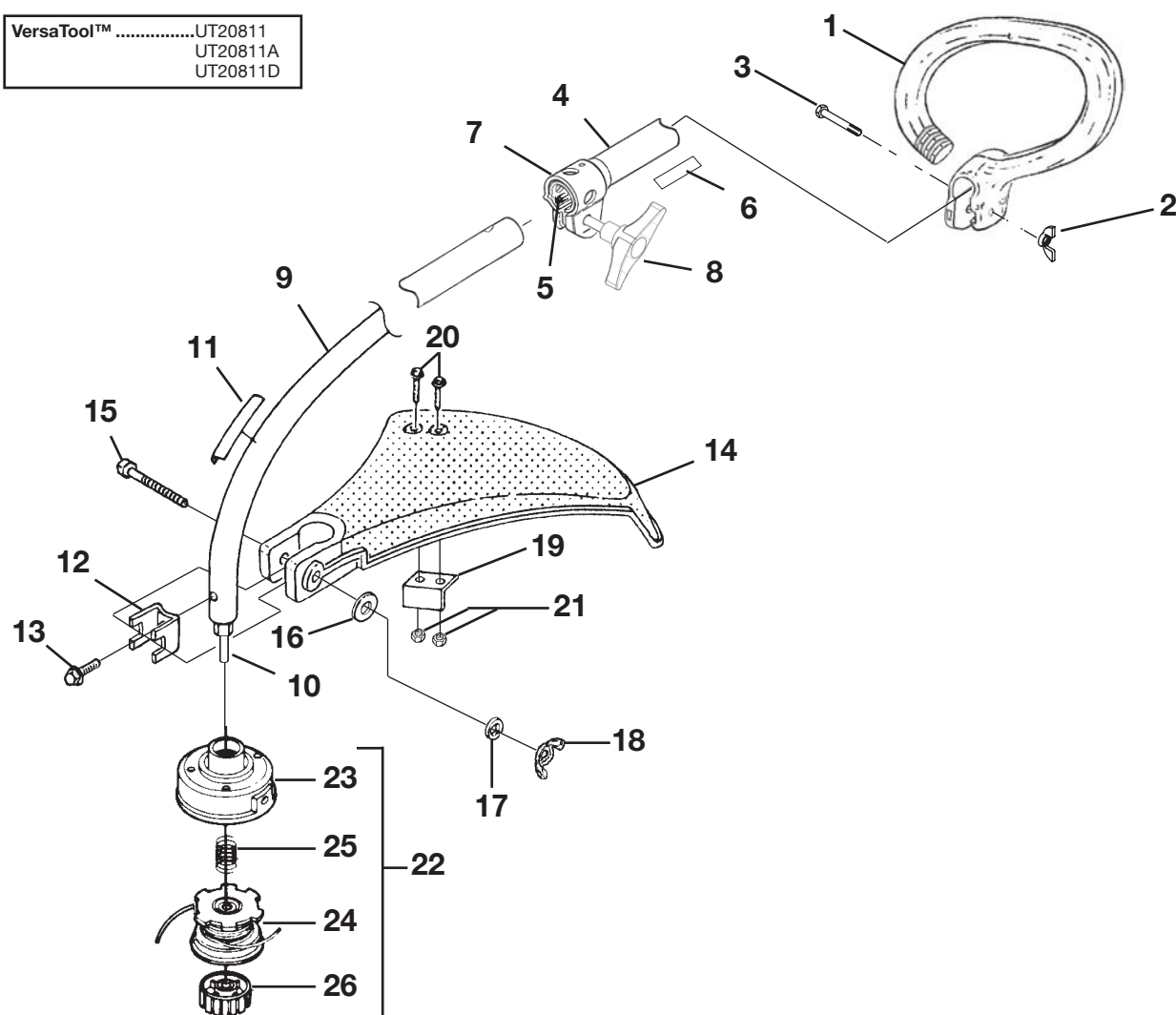


No.	Part No.	Description	Qty.
<b>A</b>	PA01614	MUFFLER ASSY. (UT20811 & B & D)	1
	PA01073	MUFFLER ASSY. (UT20811A)	1
1	82600	SCREW, Taptite- (8-32 X 3/8")	3
2	06502	SCREEN-Spark	1
3	09343	GASKET-Muffler	1
4	88083	SCREW, Truss Hd. - (10-24 X 2.188)	2
<b>D</b>	•UP05084A	AIR FILTER KIT	1
5	98760	FILTER-AIR	1
6	81208	NUT-Hex (10-24)	2

Item No.	Torque Specs		Required Loctite
	In/Lbs	Nm	
1	25-35	2.8-4.0	
4	50-60	5.6-6.8	
6	30-40	3.4-4.5	

**SHAFT - SPOOL & STRING - GRASS DEFLECTOR**

VersaTool™ .....UT20811  
 UT20811A  
 UT20811D



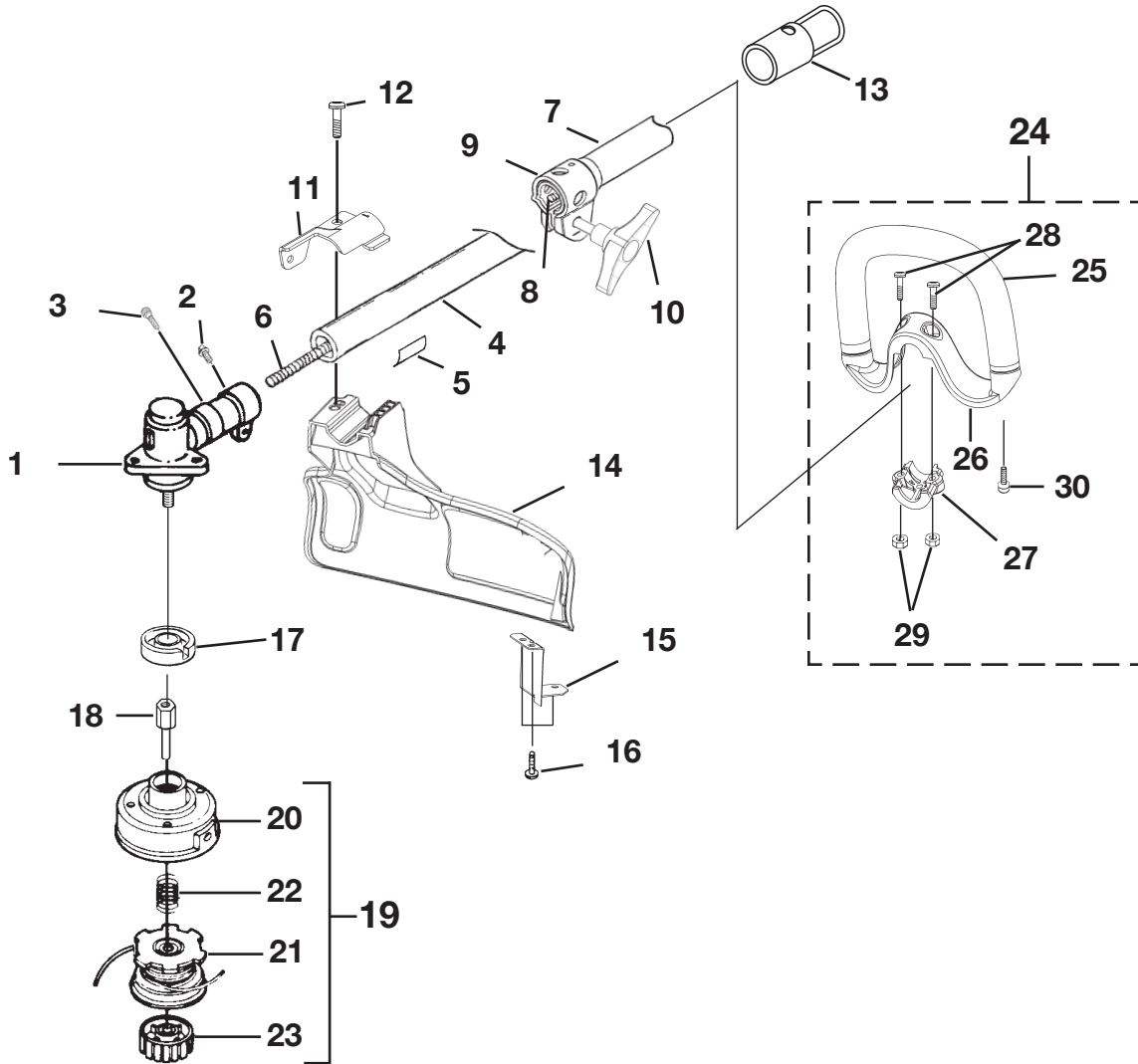
No.	Part No.	Description	Qty.
1	•UP06959A	HANDLE-Anti-Vibe	1
2	93992	NUT-Wing, Washer Faced (1/4-20)	1
3	80295	SCREW-Cap Hex Hd. (1/4-20 x 2")	1
4	•UP03850A	DRIVESHAFT ASSY. (Upper)	1
5	PS02278	FLEXSHAFT w/Collar & Liner	1
6	PS02750	DECAL-Warning	1
7	•UP03839A	COUPLER ASSEMBLY	1
8	PS02071	KNOB	1
9	•UP03851A	DRIVESHAFT HOUSING (Lower)	1
10	07674	SHAFT-Flex	1
11	PS02750	DECAL-Warning	1
12	07928	CLAMP	1
13	PS05243	SCREW-Sems Hex (10-24 X 3/8")	1
14	•UP06710A	DEFLECTOR & BLADE KIT (55 Deg.)	1
15	80295	SCREW-Cap Hex Hd. (1/4-20 X 2")	1
16	84006	WASHER-Flat (1/4")	1
17	83009	WASHER-Lock (1/4")	1
18	93992	NUT-Wing, Washer Faced (1/4-20)	1
19	07129	BLADE-Cut-Off	1
20	82531	SCREW-Mech. Hex Hd. (10-24 X 7/8")	2
21	81208	NUT-Hex (10-24)	2

No.	Part No.	Description	Qty.
22	•UP04408A	STRINGHEAD-Complete (.080")	1
23	A98231A	HOUSING & EYELET (Dual Line)	1
24	PA0387A	SPOOL & STRING (.080")	1
25	06713	SPRING-Compression	1
26	A98866A	RETAINER-Spool (RH Thread, Black)	1

Torque Specs			
Item No.	In/Lbs	Nm	Required Loctite
2	5-25	.6-2.8	
13	15-25	1.7-2.8	
18	5-25	.6-2.8	
21	30-40	3.4-4.5	

**SHAFT - SPOOL & STRING - GRASS DEFLECTOR**

VersaTool™ .....UT20811B



No.	Part No.	Description	Qty.
1	•UP06866A	GEAR HEAD	1
2	PS04680	Screw, Cap Hd. (1/4-20 X 1.25")	1
3	PS04673	Screw-Hex Hd. (10-24 x .625")	1
4	•UP06903A	DRIVESHAFT HOUSING (Lower)	1
5	983751-001	DECAL-Warning	1
6	A07679	SHAFT-Flexible	1
7	UP06944A	DRIVESHAFT HOUSING (Upper)	1
8	PS04264	FLEXSHAFT-w/Collar & Liner	1
9	UP03839A	COUPLER KIT	1
10	PS02071	KNOB	1
11	PS04420	CLAMP-Grass Shield	1
12	82543	SCREW-Hex Hd. (1/4-20 x 1.25")	1
13	PS02155	END CAP	1
14	•UP06909A	GRASS SHIELD	1
15	PS04379	BLADE-Cut-off	1
16	82543	SCREW-Pan Hd. (8-16 x 1/2")	3
17	04168A	WASHER-Flanged	1
18	PS04438	ADAPTER-Stringhead	1

No.	Part No.	Description	Qty.
19	•UP04408	STRINGHEAD-Complete (.080")	1
20	A98231A	HOUSING & EYELET (Dual Line)	1
21	•UP00145	SPOOL & STRING (.080")	1
22	06713	SPRING-Compression	1
23	A97910A	RETAINER-Spool (LH Thread)	1
24	•UP06948A	HANDLE-Complete	1
25	984439-001	HANDLE W/Grip	1
26	PS04070	CLAMP - "M"	1
27	PS04072	CLAMP-Assist Handle	1
28	PS04159	SCREW	2
29	81068	NUT	2
30	82620	SCREW	2



## ACCESSORIES

GREASE, MULTI-PURPOSE .....	18453	STRINGHEAD-Complete - E-Z Line™ .....	DA 04591 A (.095 Line) (Right Hand Thread) (Black Retainer)
THREAD LOCKING COMPOUND .....	23488 C	STRINGHEAD-Complete - E-Z Line™ .....	DA 03174 A (.095 Line) (Left Hand Thread) (Red Retainer)
MODULE AIR GAP SHIM .....	PS 24306	REPLACEMENT STRING - E-Z Line™ (3 lb. Box).....	03959 04 (.095" Dia.)
GRASS ANTI-WRAP KIT .....	A 04191	STRINGHEAD-Complete-Pro-Cut™ Fixed Line Head	DA 09364 (.105" Dia.)
STARTER ROPE (250 Ft. Reel).....	.98052 A	REPLACEMENT DuraLine™ (.105" Dia.) .....	D 09365 (Cartridges for Pro-Cut™ Fixed Line Head)
TORX BIT (T25).....	24982 03 (For Clutch Drums)	SAFETY GOGGLES .....	A 06933
TORX BIT (T27).....	18566 01	DUST MASK .....	UP 03036
IGNITION TEST SPARK PLUG .....	JA 31316 4	COMFORT STRAP .....	UP 00108
RUBBER TUBING (10 Ft.) .....	94772 99	<b>YARDSMART® Attachments</b>	
STRINGHEAD-Complete - E-Z Line™ .....	DA 03001 A (.080 Line) (Right Hand Thread) (Black Retainer)	BA250 (Blower Attachment) .....	<b>UT15511</b>
STRINGHEAD-Complete - E-Z Line™ .....	DA 04592 A (.080 Line) (Left Hand Thread) (Red Retainer)	BCA250 (Brushcutter Attachment).....	<b>UT15512</b>
REPLACEMENT STRING - E-Z Line™ (3 lb. Box).....	98011 06 (.080" Dia.)	EA250 (Edger Attachment) .....	<b>UT15513</b>
		CA250 (Cultivator Attachment).....	<b>UT15514</b>

### FOR USE ON BRUSHCUTTER UNITS ONLY

TRI-ARC™ BLADE .....

D 98717 C

## HOMELITE CONSUMER PRODUCTS, INC.

1428 Pearman Dairy Road Anderson, SC 29625  
Post Office Box 1207, Anderson, SC 29622  
Phone 1-800-chainsa (1-800-242-4672)  
[www.homelite.com](http://www.homelite.com)

983000-379R  
08-10-04