

Homelite®

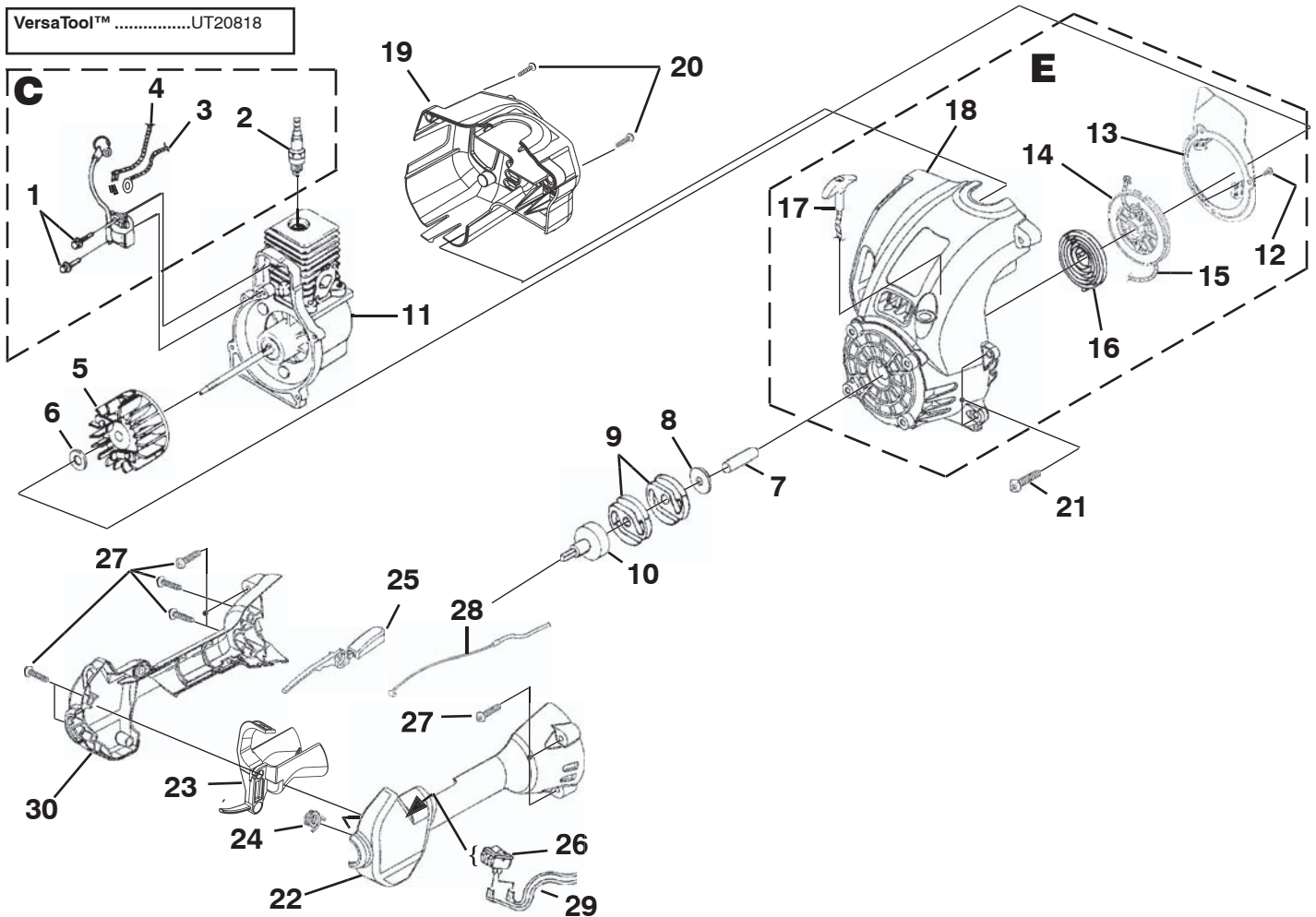
PARTS LIST



VersaTool™

UT20818

IGNITION - ROTOR - STARTER - CLUTCH

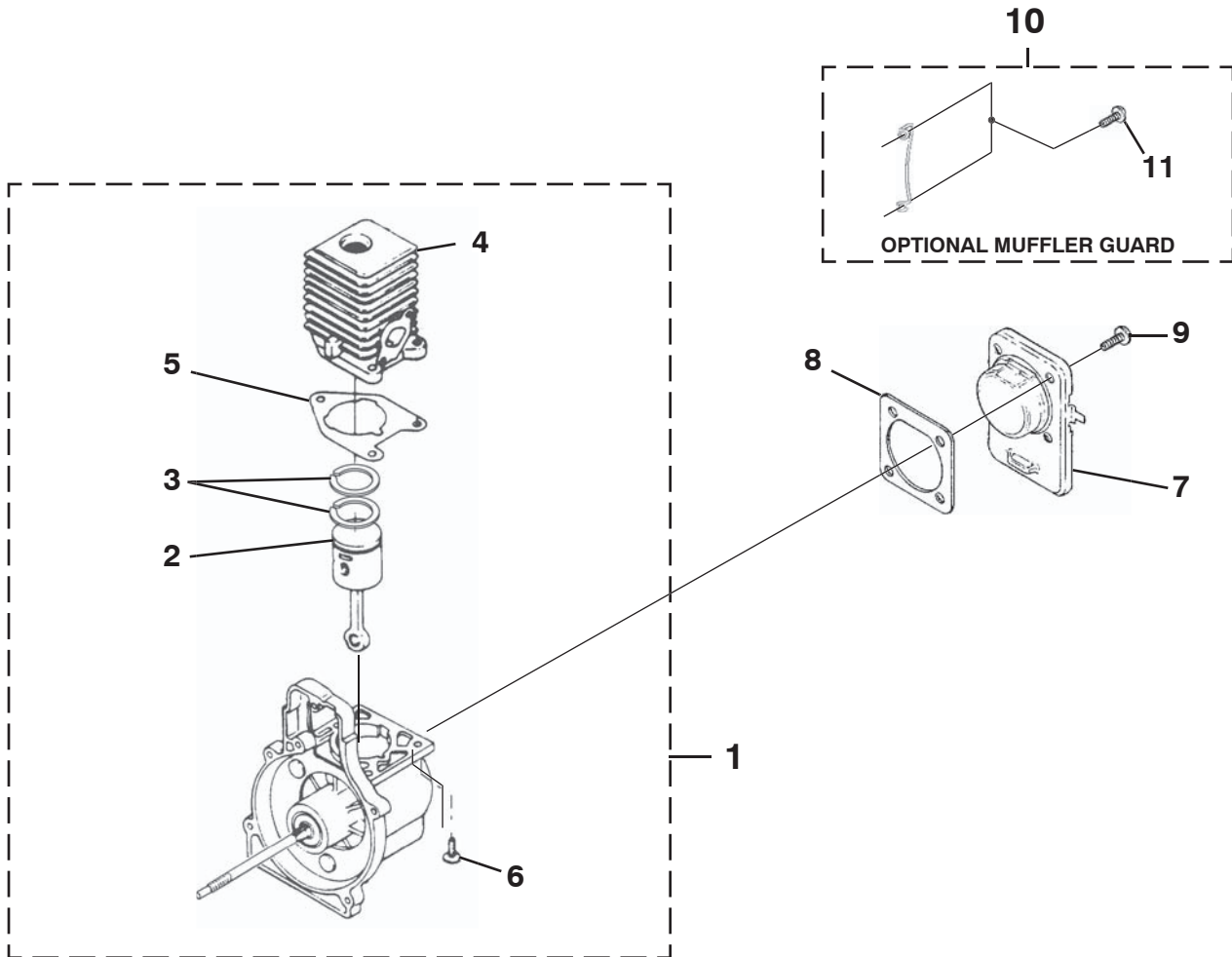


No.	Part No.	Description	Qty.
C	•984573001	IGNITION KIT	1
1	82540	SCREW-Taptite (8-32 X 1")	2
2	PS02227	SPARK PLUG	1
3	A06964	LEAD-Electrical	1
4	A06963	LEAD-Electrical	1
5	984531001	ROTOR ASSY.	1
6	PS05268	WASHER-Flat	1
7	PS05267	SPACER	1
8	98929A	WASHER-Flat	1
9	00242	CLUTCH	2
10	PA01613	CONNECTOR AND DRUM	1
11	984867001	SHORT BLOCK (See Engine Internal)	1
E	•984547002	COMPLETE STARTER ASSEMBLY	1
12	82543	SCREW-Thread Form (8-16 X 1/2")	3
13	PS06339	BAFFLE-Air	1
14	98770A	PULLEY-Starter	1
15	9789902	ROPE-Starter (42")	1
16	A98773A	SPRING & CONTAINER	1
17	PS01200	GRIP-Starter (Yellow)	1
18	3075303	STARTER HSG. ASSY.	1
19	PS01127	HOUSING-Rear	1
20	82537	SCREW-Plastite (10-14 X 7/8")	2
21	82538	SCREW-Taptite (10-24 X 3/4")	4

No.	Part No.	Description	Qty.
22	PS01125	CONTROL HANDLE - LH	1
23	PS01814	TRIGGER-Throttle	1
24	PS01718	SPRING	1
25	PS01128	THROTTLE INTERLOCK	1
26	PS02764	SWITCH	1
27	82589	SCREW-Taptite (10-14 X 1")	9
28	PS01177	CABLE-Throttle	1
29	PA00387	LEAD-Electrical	1
30	PS01124	CONTROL HANDLE - RH	1

ENGINE INTERNAL

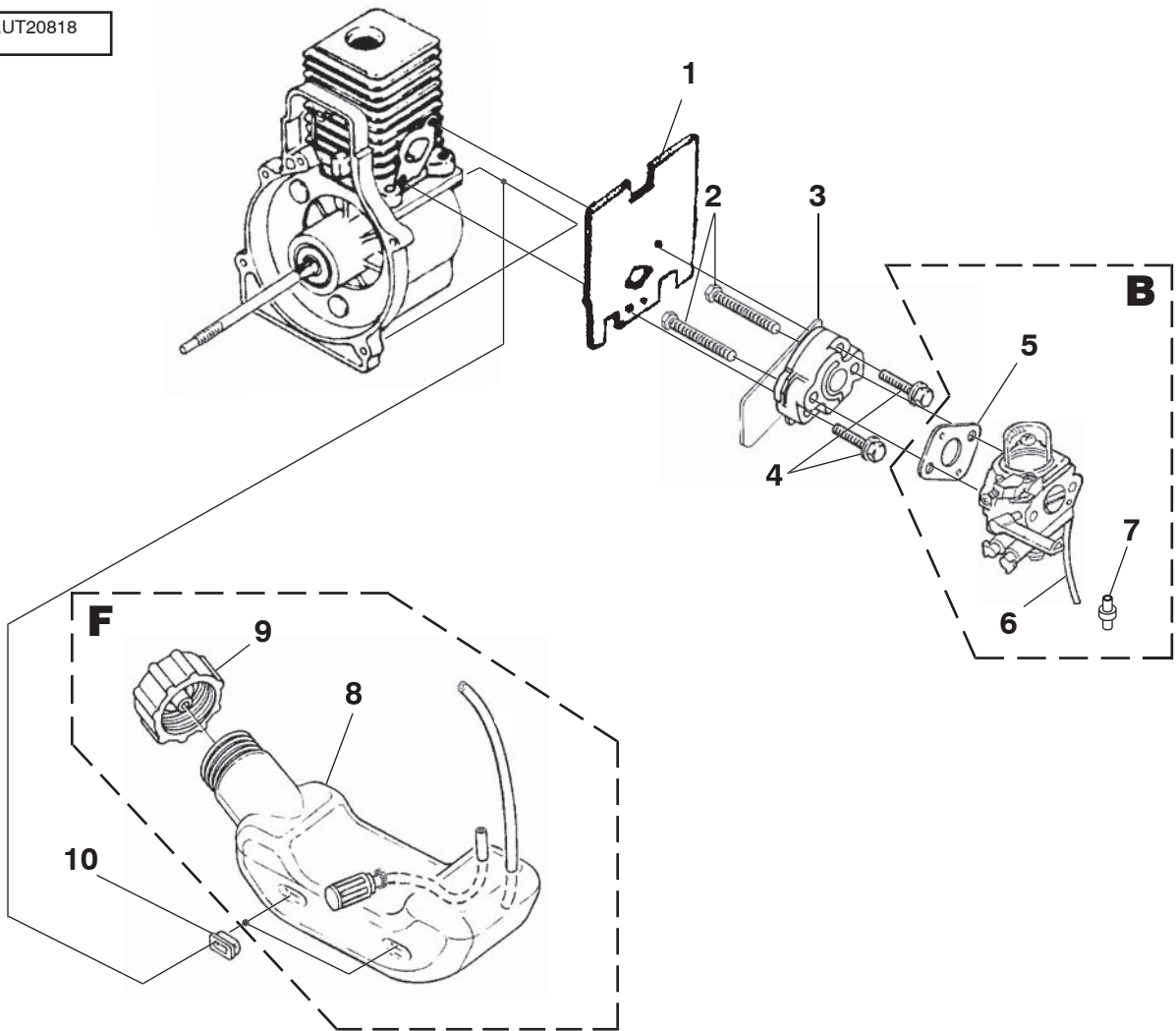
VersaTool™UT20818



No.	Part No.	Description	Qty.
1	• 984867001	SHORT BLOCK ASSY.	1
2	• 984543001	PISTON & ROD ASSY.	1
3	PS03498	RING-Piston	2
4	6457007	CYLINDER	1
5	04388B	GASKET-Cylinder	1
6	PS02807	SCREW-Sems (12-24 X 3/4")	3
7	PS02130	CRANKCASE COVER	1
8	06443A	GASKET-Crankcase Cover (Also included w/short block)	1
9	PS01565	SCREW-Sems (10-24 X 1/2")	4
10	• UP00027	MUFFLER GUARD	3
11	UP03897	SCREW-Plastite (10-14 X 1/2")	2

CARBURETOR - FUEL TANK

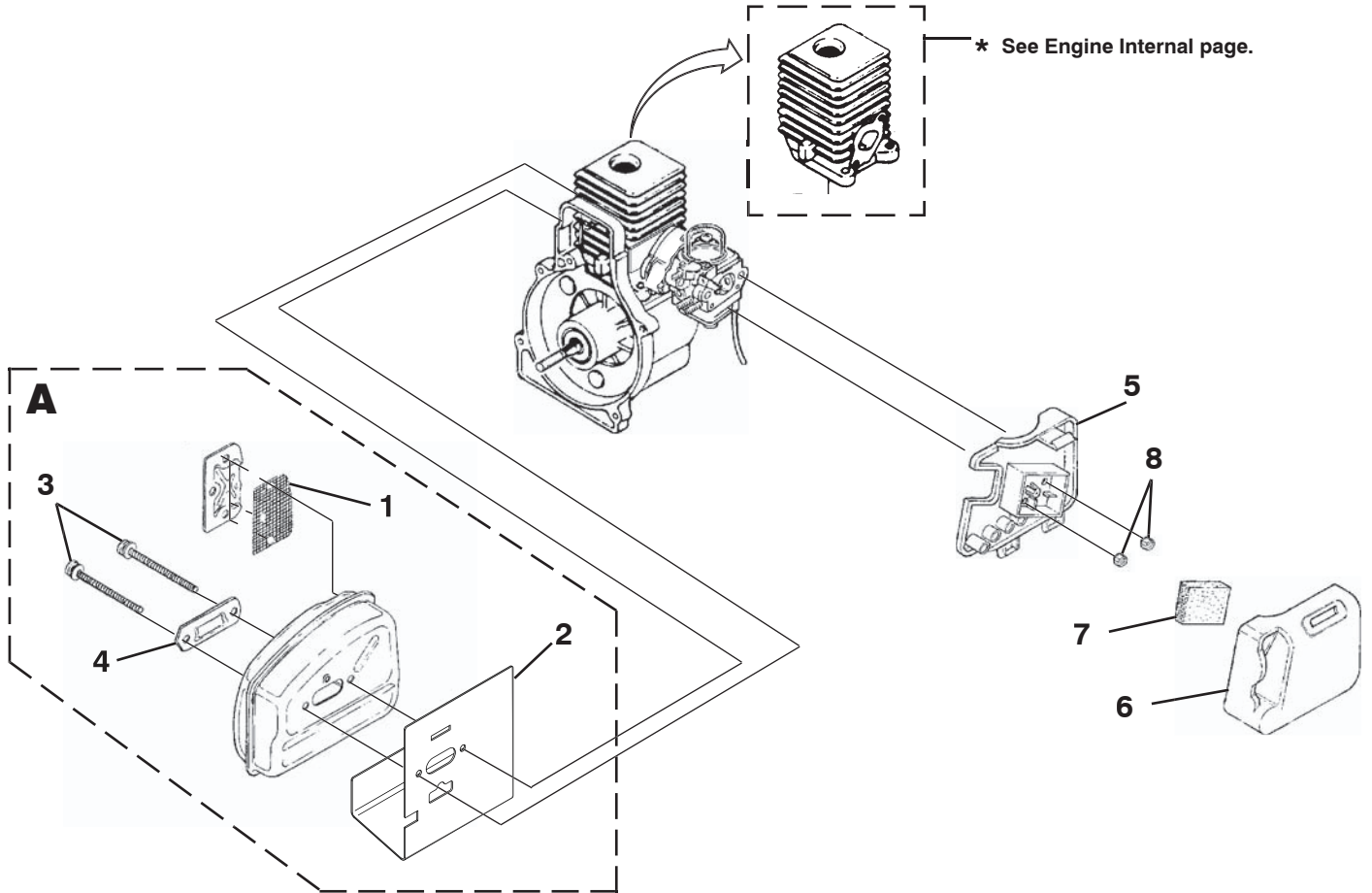
VersaTool™UT20818



No.	Part No.	Description	Qty.
1	06900A	GASKET-Heat Dam	1
2	04474	SCREW-Machine (10-24 X 2 1/4")	2
3	98768A	HEAT DAM	1
4	093221	SCREW-Sems (10-24 X 1")	2
B	• 984874002	CARBURETOR KIT	1
5	9074002	GASKET-Carburetor	1
6	0143910	TUBING	1
7	07332	FITTING-Inline	1
F	• PA01624	FUEL TANK ASSY.	1
8	PA00116	FUEL TANK	1
9	A09116	FUEL CAP	1
10	98792	BUMPER-Rubber	3

MUFFLER - AIR CLEANER

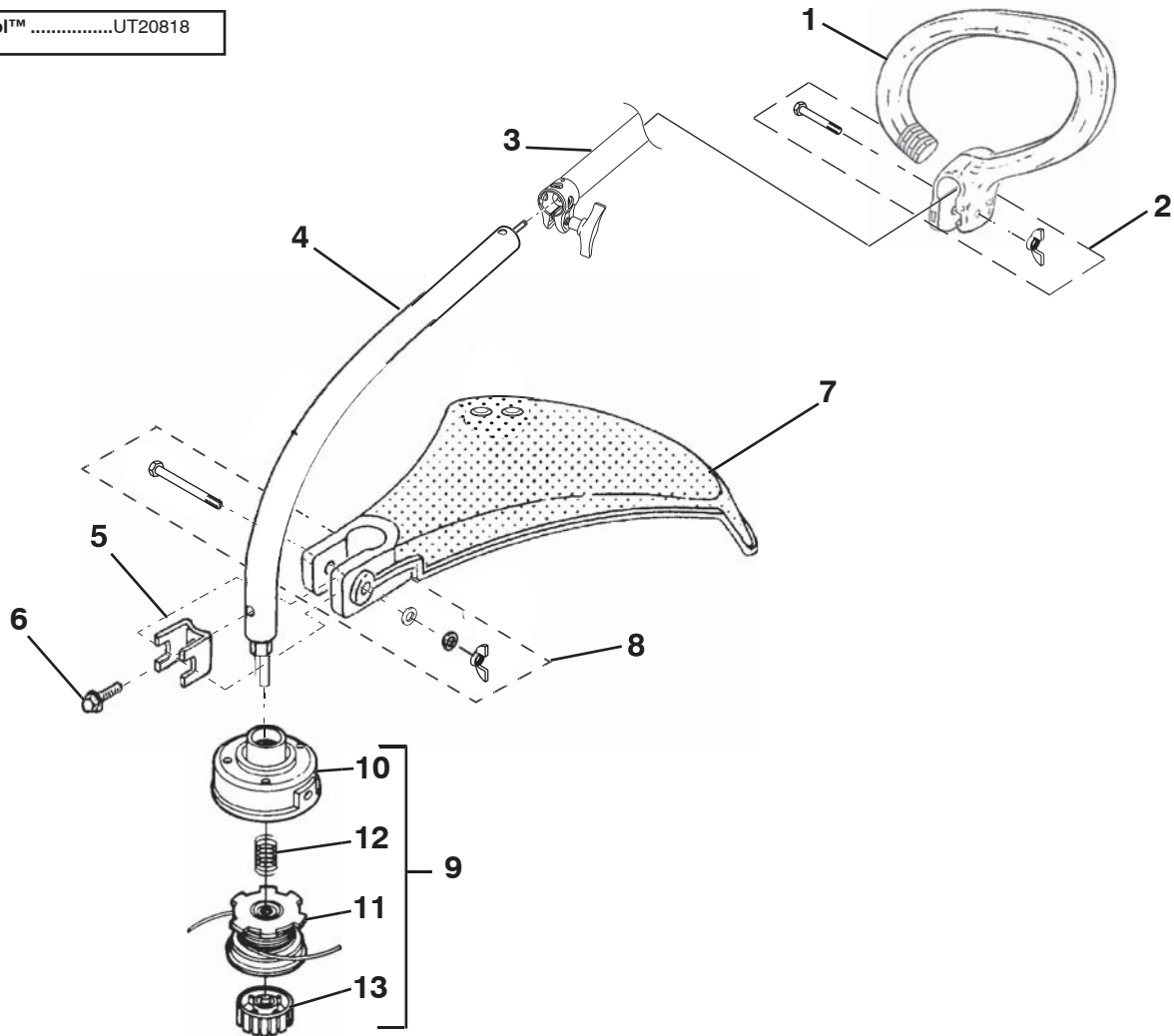
VersaTool™UT20818



No.	Part No.	Description	Qty.
A	• 984872002	MUFFLER ASSY.	1
1	06502	SCREEN-Spark	1
2	984428001	GASKET-Muffler	1
3	PS03999	SCREW	2
4	071851	PLATE-Reinforcement	1
5	PS02113	AIR FILTER BOX	1
6	PS02309	COVER-Air Box	1
7	98760	FILTER-AIR	1
8	81208	NUT-Hex (10-24)	2

SHAFT - SPOOL & STRING - GRASS DEFLECTOR

VersaTool™UT20818



No.	Part No.	Description	Qty.
1	06542A	HANDLE-Anti-Vibe	1
2	PA00249	FASTENER KIT	1
3	PA00873A	DRIVESHAFT ASSY. (Upper)	1
4	PA00881A	DRIVESHAFT HOUSING (Lower)	1
5	07928	CLAMP	1
6	983823001	SCREW-Sems Hex (10-24 X 3/8")	1
7	PA01014	DEFLECTOR	1
8	PA00249	FASTENER KIT	1
9	DA03001A	STRINGHEAD-Complete (.080")	1
10	A98231A	HOUSING & EYELET (Dual Line)	1
11	PA0387A	SPOOL & STRING (.080")	1
12	06713	SPRING-Compression	1
13	A98866A	RETAINER-Spool (RH Thread, Black)	1

For Parts Call 606-678-9623 or 606-561-4983

HOMELITE CONSUMER PRODUCTS, INC.

1428 Pearman Dairy Road Anderson, SC 29625

Post Office Box 1207, Anderson, SC 29622

Phone 1-800-chainsa (1-800-242-4672)

www.homelite.com

983000-122R
09-26-03

www.mymowerparts.com