

# Homelite®

25cc String Trimmers  
(CARB Models)

## PARTS LIST

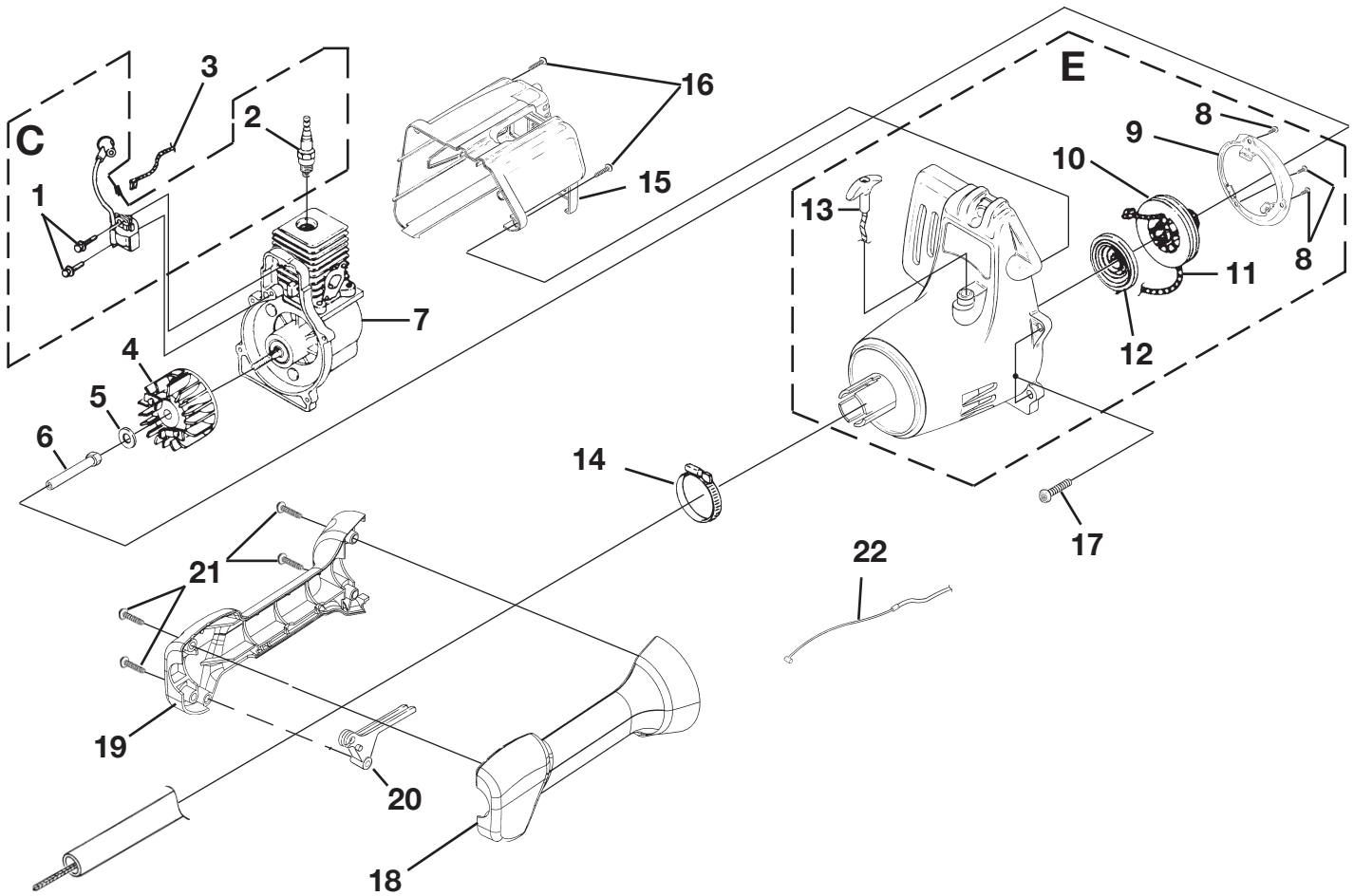
|           |         |
|-----------|---------|
| TrimLite™ | UT20930 |
|-----------|---------|

|               |         |
|---------------|---------|
| Trim 'n Edge™ | UT20933 |
|---------------|---------|

|           |         |
|-----------|---------|
| EZ Reach™ | UT20777 |
|-----------|---------|

**IGNITION - ROTOR - STARTER**

TrimLite™ ..... (UT20930)  
 Trim 'n Edge™..... (UT20933)  
 EZ Reach™..... (UT20777)



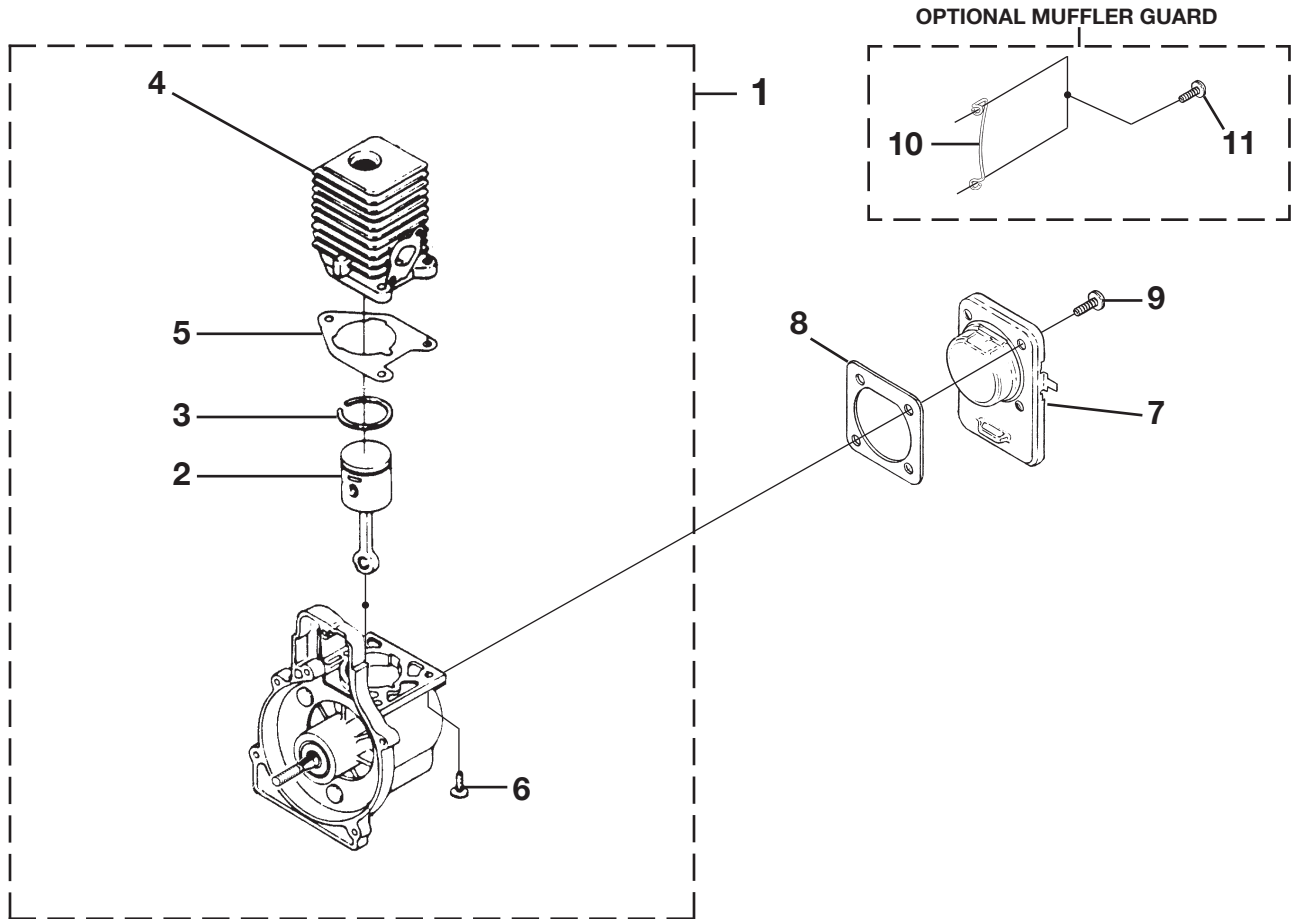
| No.      | Part No.  | Description                       | Qty. |
|----------|-----------|-----------------------------------|------|
| <b>C</b> | 984873001 | IGNITION KIT                      | 1    |
| 1        | 82540     | SCREW-Taptite (8-32 x 1")         | 2    |
| 2        | PS02227   | SPARK PLUG                        | 1    |
| 3        | A07238    | LEAD-Electrical                   | 1    |
| 4        | 986153001 | ROTOR AND PAWL ASSY.              | 1    |
| 5        | PS84065   | WASHER-Flat                       | 1    |
| 6        | 98795A    | CONNECTOR-Drive (.250)            | 1    |
| 7        | 3074107   | SHORT BLOCK (See Engine Internal) | 1    |
| <b>E</b> | 984875001 | COMPLETE STARTER ASSEMBLY         | 1    |
| 8        | 82543     | SCREW-Taptite (8-16 x 1/2")       | 3    |
| 9        | 6300222   | BAFFLE-Air                        | 1    |
| 10       | PS01122   | PULLEY-Starter                    | 1    |
| 11       | 9789902   | ROPE-Starter (42")                | 1    |
| 12       | A98773A   | SPRING & CONTAINER                | 1    |
| 13       | 5946702   | GRIP-Starter                      | 1    |
| 14       | PS01611   | CLAMP                             | 1    |
| 15       | 984633001 | HOUSING-Rear Kit                  | 1    |
| 16       | 82563     | SCREW-Taptite (10-14 x 7/8")      | 2    |
| 17       | 82538     | SCREW-Taptite (10-24 x 3/4")      | 4    |

| No. | Part No.  | Description                  | Qty. |
|-----|-----------|------------------------------|------|
| 18  | PS04383   | CONTROL HANDLE - (LH)        | 1    |
| 19  | PS04384   | CONTROL HANDLE - (RH)        | 1    |
| 20  | 983815001 | TRIGGER-Throttle             | 1    |
| 21  | 82537     | SCREW-Taptite (10-14 x 7/8") | 4    |
| 22  | 08832 02  | CABLE-Throttle               | 1    |

| Torque Specs |         |           |                  |
|--------------|---------|-----------|------------------|
| Item No.     | In/Lbs  | Nm        | Required Loctite |
| 1            | 30-40   | 3.4-4.5   | Blue 242         |
| 2            | 120-180 | 13.6-20.3 |                  |
| 6            | 100-150 | 11.3-16.9 |                  |
| 8            | 10-20   | 1.1-2.3   |                  |
| 14           | 40-50   | 4.5-5.6   |                  |
| 16           | 30-50   | 3.4-5.6   |                  |
| 17           | 30-40   | 3.4-4.5   |                  |
| 21           | 30-50   | 3.4-5.6   |                  |

**ENGINE INTERNAL**

TrimLite™ ..... (UT20930)  
 Trim 'n Edge™ ..... (UT20933)  
 EZ Reach™ ..... (UT20777)

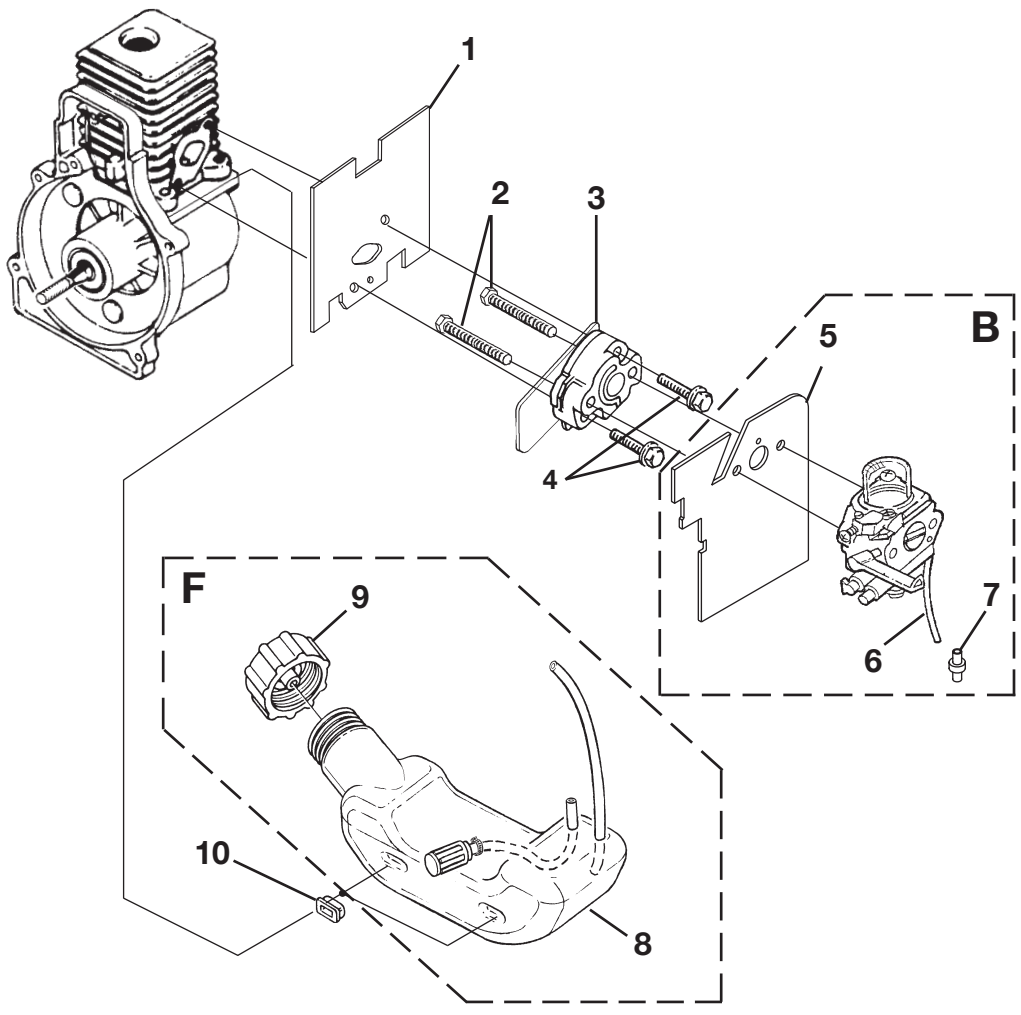


| No. | Part No.  | Description                         | Qty. |
|-----|-----------|-------------------------------------|------|
| 1   | 3074107   | SHORT BLOCK ASSY.                   | 1    |
| 2   | 3081102   | PISTON & ROD ASSY.                  | 1    |
| 3   | PS04468   | RING-Piston                         | 1    |
| 4   | 6457005   | CYLINDER                            | 1    |
| 5   | 985259001 | GASKET-Cylinder                     | 1    |
| 6   | PS02807   | SCREW-Sems (12-24 X 3/4")           | 3    |
| 7   | PS02130   | CRANKCASE COVER                     | 1    |
| 8   | 06443A    | GASKET-Crankcase Cover              | 1    |
| 9   | PS01565   | SCREW-Sems (10-24 X 1/2")           | 4    |
| 10  | UP04099   | MUFFLER GUARD                       | 3    |
| 11  | UP03897   | SCREW-Thread Forming (10-14 X 1/2") | 2    |

| Item No. | Torque Specs |         | Required |
|----------|--------------|---------|----------|
|          | In/Lbs       | Nm      | Loctite  |
| 9        | 55-65        | 6.2-7.3 | Red 262  |
| 11       | 35-45        | 4.0-5.1 | Red 262  |

**CARBURETOR - FUEL TANK**

TrimLite™ ..... (UT20930)  
 Trim 'n Edge™ ..... (UT20933)  
 EZ Reach™ ..... (UT20777)

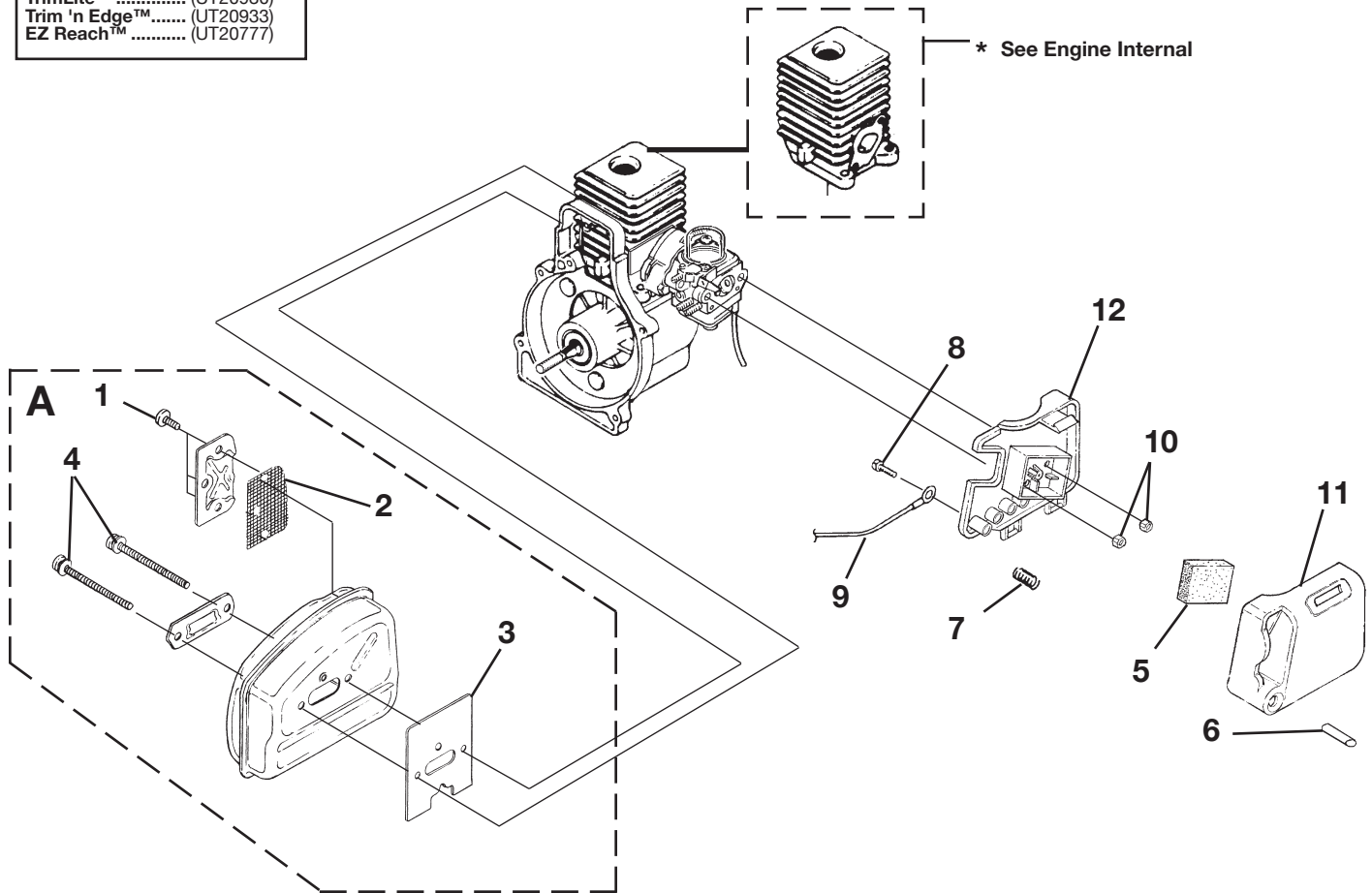


| No.      | Part No.  | Description                    | Qty. |
|----------|-----------|--------------------------------|------|
| 1        | 06900A    | GASKET-Heat Dam                | 1    |
| 2        | 04474     | SCREW-Machine (10-24 X 2 1/4") | 2    |
| 3        | 98768A    | HEAT DAM                       | 1    |
| 4        | 093221    | SCREW-Sems (10-24 X 1")        | 2    |
| <b>B</b> | 984874001 | CARBURETOR KIT                 | 1    |
| 5        | 9074001   | GASKET-Carburetor              | 1    |
| 6        | 0143910   | TUBING - Rubber                | 1    |
| 7        | 07332     | FITTINGS - Inline              | 1    |
| <b>F</b> | PA 01624  | FUEL TANK ASSY.                | 1    |
| 8        | PA 00116  | FUEL TANK                      | 1    |
| 9        | A09116    | FUEL CAP                       | 1    |
| 10       | 98792     | BUMPER - Rubber                | 3    |

| Item No. | Torque Specs |         | Required Loctite |
|----------|--------------|---------|------------------|
|          | In/Lbs       | Nm      |                  |
| 4        | 35-45        | 4.0-5.1 | Red 262          |

### MUFFLER - AIR CLEANER

TrimLite™ ..... (UT20930)  
 Trim 'n Edge™ ..... (UT20933)  
 EZ Reach™ ..... (UT20777)

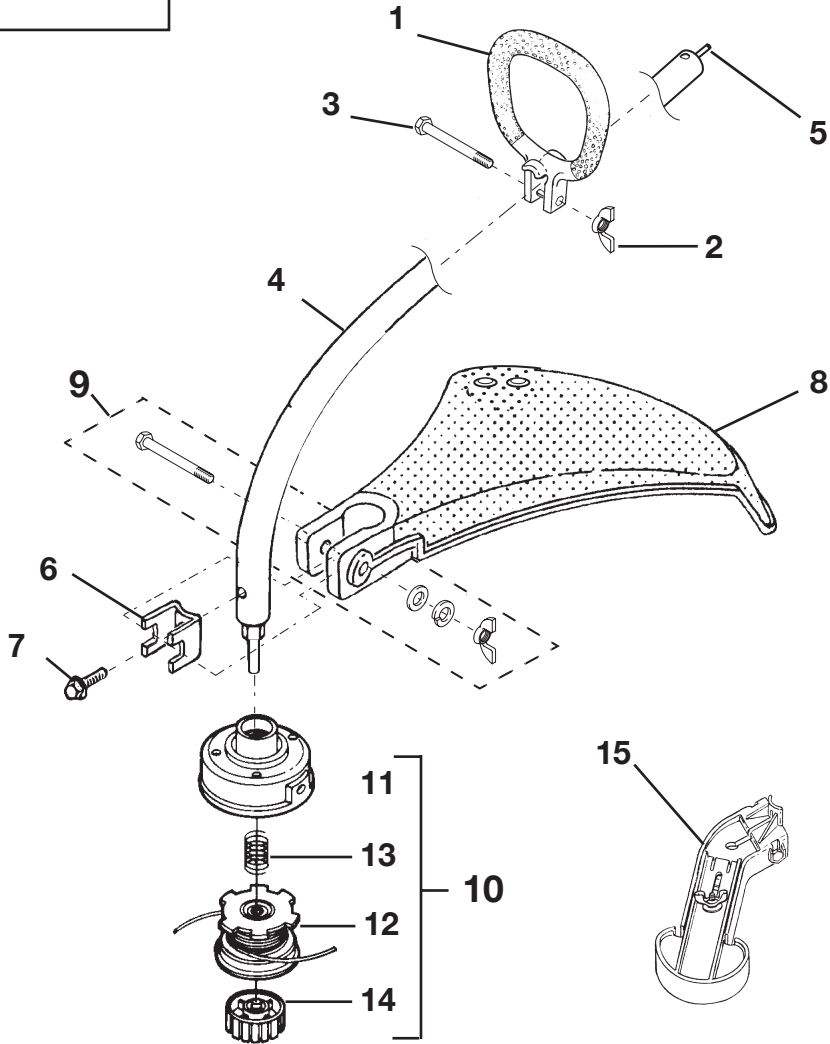


| No.      | Part No.  | Description                        | Qty. |
|----------|-----------|------------------------------------|------|
| <b>A</b> | 984872001 | MUFFLER ASSY.                      | 1    |
| 1        | 82600     | SCREW, Taptite- (8-32 X 3/8")      | 3    |
| 2        | 06502     | SCREEN-Spark                       | 1    |
| 3        | PS04000   | GASKET-Muffler                     | 1    |
| 4        | PS03999   | SCREW, Truss Hd. - (10-24 X 2.188) | 2    |
| 5        | 98760     | FILTER-Air                         | 1    |
| 6        | 06618A    | BUTTON-Switch                      | 1    |
| 7        | 95020A    | SPRING-Compression                 | 1    |
| 8        | 82513     | SCREW-Thread Form (6-19 x 1/2")    | 1    |
| 9        | A07238    | LEAD-Electrical                    | 1    |
| 10       | 81208     | NUT-Hex (10-24)                    | 2    |
| 11       | PS02156   | COVER, Air Box                     | 1    |
| 12       | PS02113   | BOX, Air Filter                    | 1    |

| Item No. | Torque Specs |         | Required Loctite |
|----------|--------------|---------|------------------|
|          | In/Lbs       | Nm      |                  |
| 1        | 25-35        | 2.8-4.0 |                  |
| 4        | 50-60        | 5.6-6.8 |                  |
| 8        | 5-10         | .6-1.1  |                  |
| 10       | 30-40        | 3.4-4.5 |                  |

**SHAFT - SPOOL & STRING - GRASS DEFLECTOR**

TrimLite..... (UT20930)  
 Trim 'n Edge™..... (UT20933)

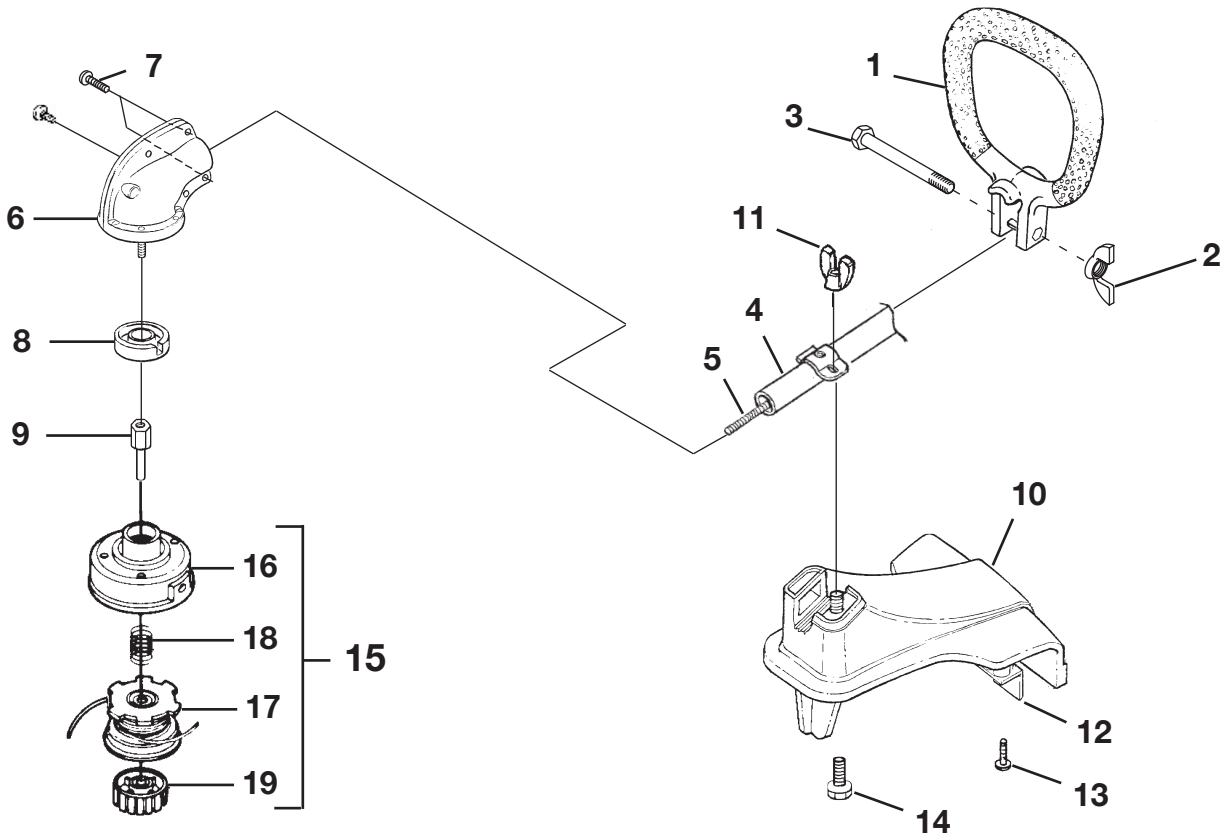


| No. | Part No.  | Description                           | Qty. |
|-----|-----------|---------------------------------------|------|
| 1   | 98822A    | HANDLE ASSY.-Front                    | 1    |
| 2   | 93992     | NUT-Wing, Washer Faced (1/4-20)       | 1    |
| 3   | 80295     | SCREW-Cap Hex Hd.                     | 1    |
| 4   | PA00472A  | DRIVESHAFT HOUSING ASSY.              | 1    |
| 5   | 986117001 | SHAFT-Flexible                        | 1    |
| 6   | 07928     | CLAMP                                 | 1    |
| 7   | 983823001 | SCREW-Sems Hex Hd.<br>(#10-24 X 3/8") | 1    |
| 8   | 985623002 | DEFLECTOR-GRASS (55 Deg.)             | 1    |
| 9   | PA00249   | FASTENER KIT                          | 1    |
| 10  | DA03001A  | STRINGHEAD-Complete                   | 1    |
| 11  | A98231A   | HOUSING & EYELET (Dual Line)          | 1    |
| 12  | PA0387A   | SPOOL & STRING (.080" Line)           | 1    |
| 13  | 06713     | SPRING-Compression                    | 1    |
| 14  | A98866A   | RETAINER-Spool (RH Thread, Black)     | 1    |
| 15  | UP00008   | EDGER GUIDE KIT (UT20933 only)        | 1    |
|     | 983000111 | OWNER'S MANUAL (NOT SHOWN)            | 1    |

| Item No. | Torque Specs |         | Required Loctite |
|----------|--------------|---------|------------------|
|          | In/Lbs       | Nm      |                  |
| 2        | 5-25         | .6-2.8  |                  |
| 7        | 15-25        | 1.7-2.8 |                  |

**SHAFT - SPOOL & STRING - GRASS DEFLECTOR**

EZ Reach..... (UT20777)



| No. | Part No.  | Description                           | Qty. |
|-----|-----------|---------------------------------------|------|
| 1   | 98822A    | HANDLE-FRONT                          | 1    |
| 2   | 93992     | NUT-Wing, Washer Faced (1/4-20)       | 1    |
| 3   | 80295     | SCREW-Cap Hex Hd. (1/4-20 x 2")       | 1    |
| 4   | PA00983A  | DRIVESHAFT HOUSING ASSY.              | 1    |
| 5   | 98818     | SHAFT-Flexible                        | 1    |
| 6   | A04402C   | GEARHEAD ASSY.                        | 1    |
| 7   | 82597     | Screw, Taptite Hex Hd. (10-24 x 1/2") | 5    |
| 8   | 04168A    | WASHER-Flanged                        | 1    |
| 9   | 04355     | ADAPTER-Shaft                         | 1    |
| 10  | PA00982   | GRASS DEFLECTOR KIT                   | 1    |
| 11  | PS02453   | WING NUT                              | 1    |
| 12  | 07129     | BLADE-Cut-off                         | 1    |
| 13  | 82546     | SCREW-Mach.Hex Hd. (10-24 X 3/8")     | 2    |
| 14  | PS02435   | SCREW-Square Head                     | 1    |
| 15  | DA03001A  | STRINGHEAD-Complete (.080" Line)      | 1    |
| 16  | A98231A   | HOUSING & EYELET (Dual Line)          | 1    |
| 17  | PA0387A   | SPOOL & STRING (.080" Line)           | 1    |
| 18  | 06713     | SPRING-Compression                    | 1    |
| 19  | A98866A   | RETAINER-Spool (RH Thread, Black)     | 1    |
|     | 983000111 | OWNER'S MANUAL (NOT SHOWN)            | 1    |

| Item No. | Torque Specs |           | Required Loctite |
|----------|--------------|-----------|------------------|
|          | In/Lbs       | Nm        |                  |
| 2 .....  | Hand Tight   |           |                  |
| 7 .....  | 15-20.....   | 1.7-2.3   |                  |
| 9 .....  | 100-120..... | 11.3-13.6 |                  |
| 11 ..... | Hand Tight   |           |                  |
| 13 ..... | 30-40.....   | 3.4-4.5   |                  |

For Parts Call 606-678-9623 or 606-561-4983

**HOMELITE CONSUMER PRODUCTS, INC.**

1428 Pearman Dairy Road Anderson, SC 29625

Post Office Box 1207, Anderson, SC 29622

Phone 1-800-chainsa (1-800-242-4672)

[www.homelite.com](http://www.homelite.com)

983000-111R

03-11-05

(REV:01)

[www.mymowerparts.com](http://www.mymowerparts.com)