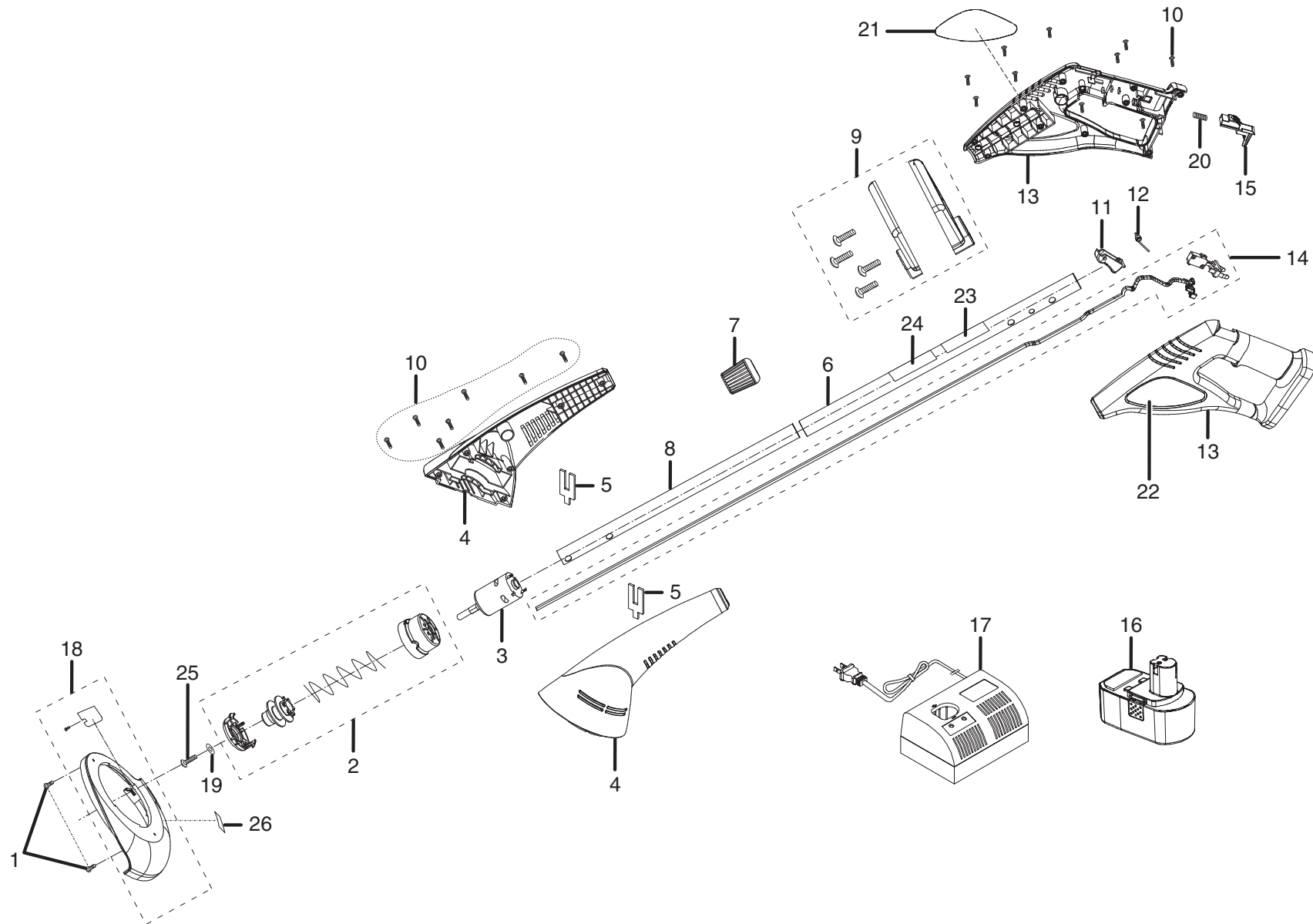


For Parts Call 606-678-9623 or 606-561-4983

**HOMELITE  
18 VOLT CORDLESS LINE TRIMMER  
MODEL NO. UT31810  
REPAIR SHEET**

For Parts Call 606-678-9623 or 606-561-4983

HOMELITE 18 VOLT CORDLESS LINE TRIMMER – MODEL NO. UT31810



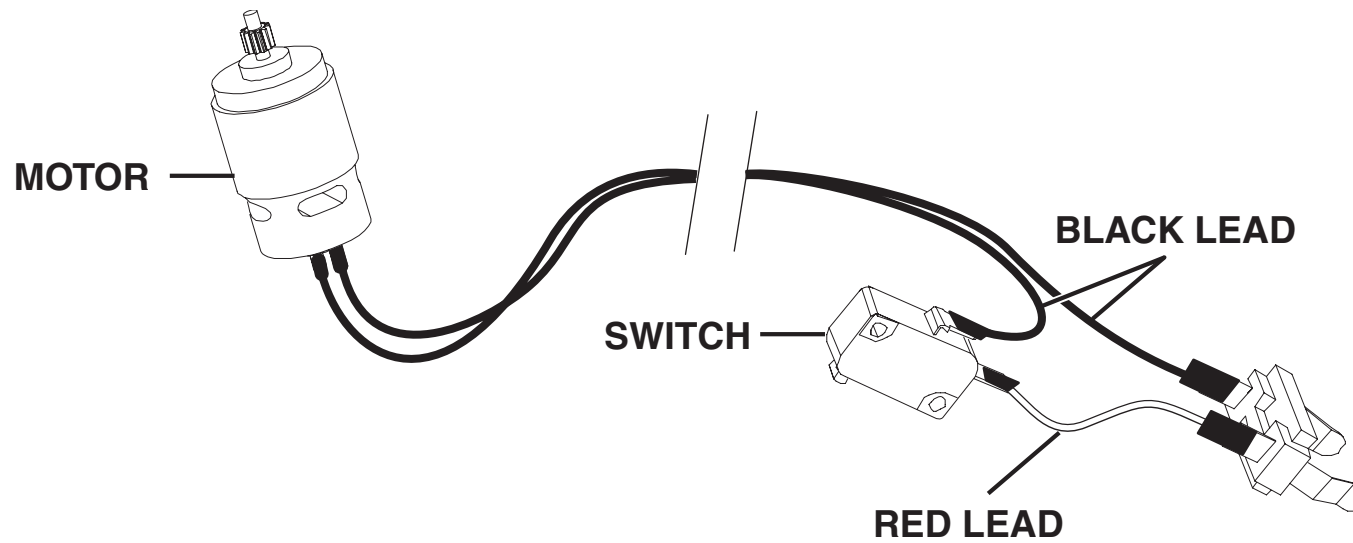
**HOMELITE 18 VOLT CORDLESS LINE TRIMMER – MODEL NO. UT31810**

The model number will be found on a plate attached to the motor housing. Always mention the model number in all correspondence regarding your **HOMELITE CORDLESS LINE TRIMMER** or when ordering repair parts.

**PARTS LIST**

KEY NO.	PART NUMBER	DESCRIPTION	QTY.	KEY NO.	PART NUMBER	DESCRIPTION	QTY.
1	6625001	* SCREW (M3.5 X 8 mm PAN HD.).....	2	15	5912701	SAFETY LEVER .....	1
2	300180007	SPOOL ASSEMBLY .....	1	16	1323701	BATTERY .....	1
3	230090001	MOTOR/INSERT SHAFT ASSEMBLY .....	1	17	1425701	BATTERY CHARGER .....	1
4	200205001	FRONT MOTOR HOUSING ASSEMBLY .....	1	18	300906002	GUARD COVER ASSEMBLY.....	1
5	690439001	MOTOR MOUNT.....	2	19	6796001	SPRING WASHER.....	1
6	300908001	TUBING.....	1	20	670703001	COMPRESSION SPRING .....	1
7	200207001	COLLECTING CAP ASSEMBLY.....	1	21	940260078	DATA PLATE .....	1
8	300909006	TUBING.....	1	22	940263035	LOGO PLATE.....	1
9	200206001	FRONT HANDLE ASSEMBLY .....	1	23	940230024	WARNING LABEL.....	1
10	660206001	* SCREW (M3.5 X 18 mm).....	14	24	940230025	WARNING LABEL, ICON.....	1
11	5205506	TRIGGER.....	1	25	6623501	MOUNTING SCREW .....	1
12	670942001	TRIGGER SPRING .....	1	26	940230043	WARNING LABEL (LOWER GUARD) .....	1
13	200181012	HANDLE HOUSING ASSEMBLY.....	1		983000-010	OPERATOR'S MANUAL	
14	270011077	SWITCH ASSEMBLY .....	1		983000-010R	REPAIR SHEET	
					12-04-03		

\* STANDARD HARDWARE ITEM – MAY BE PURCHASED LOCALLY



**WIRING DIAGRAM**