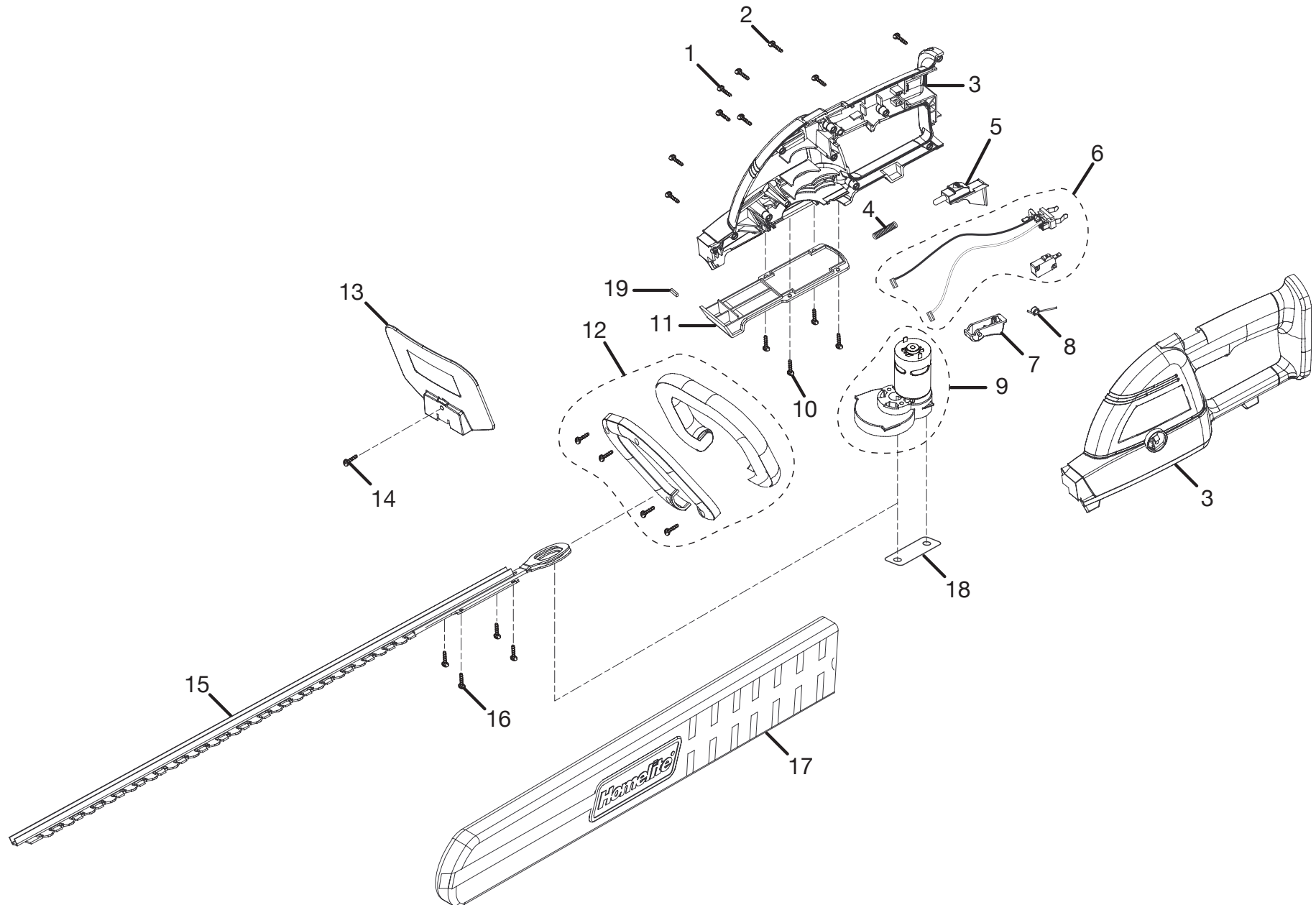


For Parts Call 606-678-9623 or 606-561-4983

HOMELITE
18 VOLT CORDLESS HEDGE TRIMMER
MODEL NO. UT31840
REPAIR SHEET

For Parts Call 606-678-9623 or 606-561-4983

HOMELITE 18 VOLT CORDLESS HEDGE TRIMMER - MODEL NO. UT31840



HOMELITE 18 VOLT CORDLESS HEDGE TRIMMER – MODEL NO. UT31840

The model number will be found on a plate attached to the motor housing. Always mention the model number in all correspondence regarding your **HOMELITE CORDLESS HEDGE TRIMMER** or when ordering repair parts.

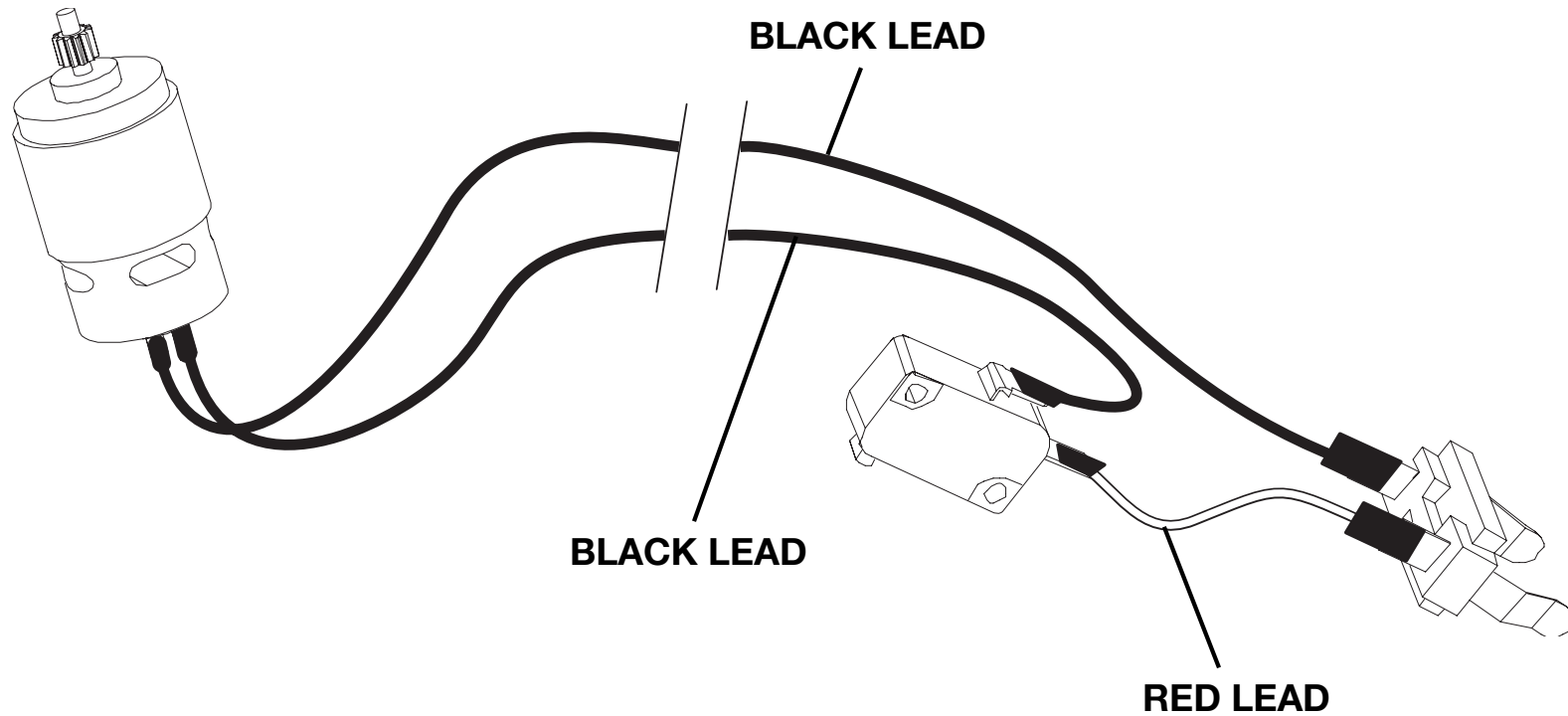
PARTS LIST

| KEY NO. | PART NUMBER | DESCRIPTION | QTY. | KEY NO. | PART NUMBER | DESCRIPTION | QTY. |
|---------|-------------|-------------------------------------|------|---------|-------------|---------------------------------|------|
| 1 | 6620803 | * SCREW (M4 X 22 mm PAN HD.)..... | 4 | 12 | 300067102 | HANDLE ASSEMBLY | 1 |
| 2 | 6620805 | * SCREW (M4 X 16 mm PAN HD.)..... | 5 | 13 | 200209003 | BLADE GUARD | 1 |
| 3 | 200208005 | HOUSING ASSEMBLY | 1 | 14 | 6603301 | * SCREW (M4 X 16 mm)..... | 1 |
| 4 | 6791801 | SPRING..... | 1 | 15 | 3013214 | BLADE ASSEMBLY..... | 1 |
| 5 | 5205604 | TRIGGER LOCK BUTTON | 1 | 16 | 6613702 | BLADE SCREW (M4 X 16 mm) | 4 |
| 6 | 270011079 | SWITCH ASSEMBLY | 1 | 17 | 5205905 | BLADE COVER | 1 |
| 7 | 5205506 | TRIGGER | 1 | 18 | 6940501 | BAR PLATE | 1 |
| 8 | 6794201 | TRIGGER SPRING | 1 | 19 | 560190011 | SPONGE SEAL | 1 |
| 9 | 210010041 | MOTOR AND GEAR TRAIN ASSEMBLY | 1 | 20 | 660126001 | SQUARE NUT (NOT SHOWN) | 5 |
| 10 | 6613701 | * SCREW (M4 X 12 mm)..... | 4 | 21 | 940260079 | DATA PLATE (NOT SHOWN)..... | 1 |
| 11 | 200210001 | BOTTOM PLATE | 1 | 22 | 940263036 | LOGO PLATE (NOT SHOWN) | 1 |
| | | | | 23 | 940254004 | WARNING LABEL (NOT SHOWN) | 1 |
| | | | | | 983000011 | OPERATOR'S MANUAL | |
| | | | | | 983000011R | REPAIR SHEET (REV:00) | |
| | | | | | 04-12-05 | | |

* STANDARD HARDWARE ITEM – MAY BE PURCHASED LOCALLY

For Parts Call 606-678-9623 or 606-561-4983

HOMELITE 18 VOLT CORDLESS HEDGE TRIMMER - MODEL NO. UT31840



WIRING DIAGRAM