

For Green Machine Parts Call 606-678-9623 or 606-561-4983

# ***The Green Machine***<sup>®</sup>

A product of HMC, Long Beach, Ca. 90810

## **PARTS CATALOG**

### **MODEL 4000**

© HMC 1981



20710 ALAMEDA ST., LONG BEACH, CALIFORNIA 90810 • (213) 603-9888 • TELEX 696396

GM 111R 9/81

[www.mymowerparts.com](http://www.mymowerparts.com)

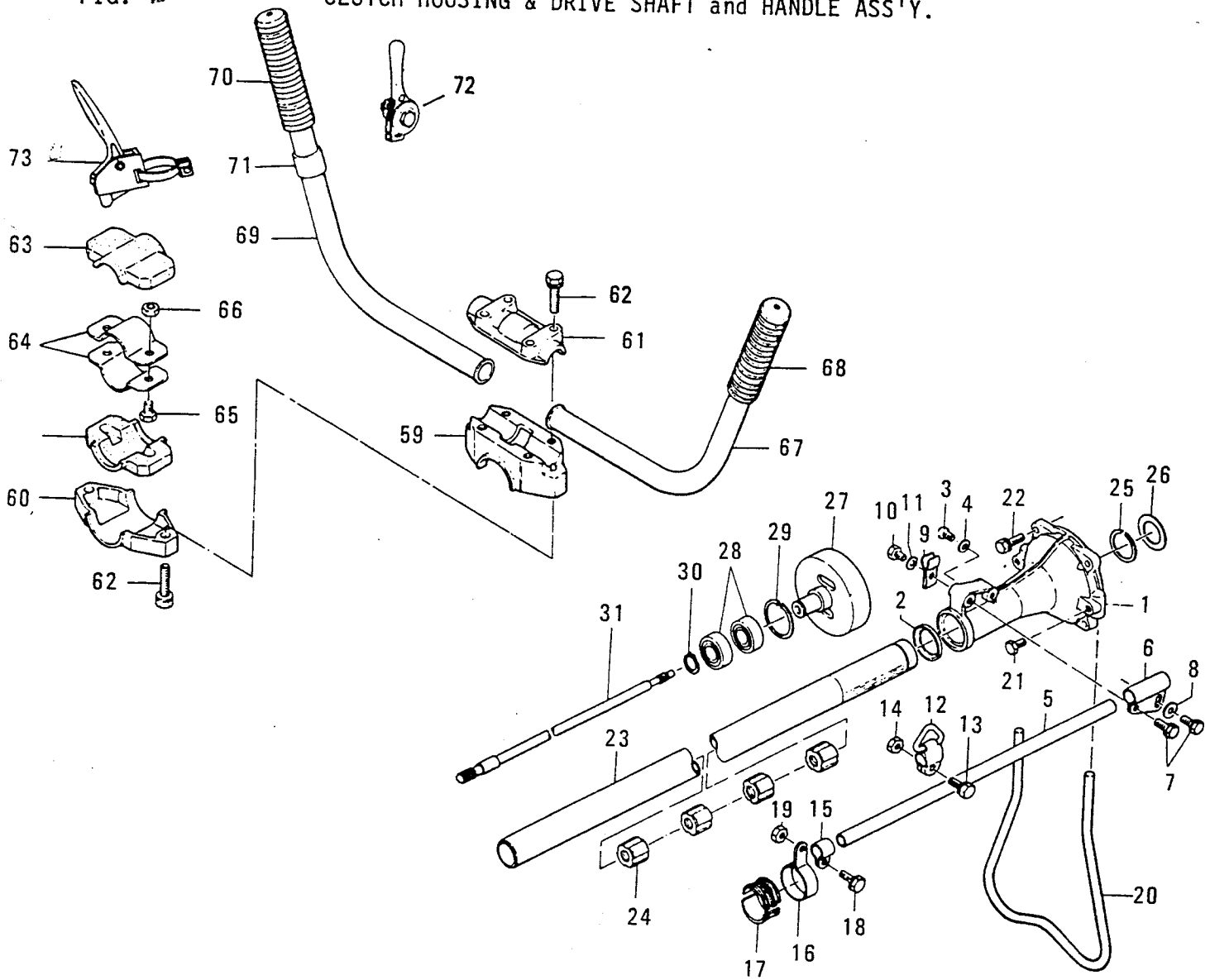
<u>INDEX</u>	<u>PAGE</u>
CLUTCH HOUSING	1 & 2
DRIVE SHAFT	1 & 2
HANDLE ASSEMBLY	1 & 2
GEARCASE ASSEMBLY	
CLOCKWISE ROTATION	3
COUNTERCLOCKWISE ROTATION	4
CYLINDER	5 & 6
CRANKCASE	5 & 6
COVER	5 & 6
PISTON & CRANKSHAFT	5 & 6
AIR CLEANER	7 & 8
CARBURETOR	7 & 8
FUEL TANK	7 & 8
CLUTCH	9 & 10
MAGNETO	9 & 10
RECOIL STARTER	9 & 10
6" COMMERCIAL HEAD	11
FIXED LINE HEAD	12
OPTIONAL ACCESSORIES	13
STANDARD AND SPECIAL TOOLS	14
SERVICE REPAIR KITS	15
TROUBLE SHOOTING CHART	INSIDE FRONT COVER

REMARKS CODE

- \* - Part not replaced individually - is part of number shown
- K - Component part of Service Kit. See Page 15.
- OP - Optional part not on standard model

FIG. 1

CLUTCH HOUSING & DRIVE SHAFT and HANDLE ASS'Y.



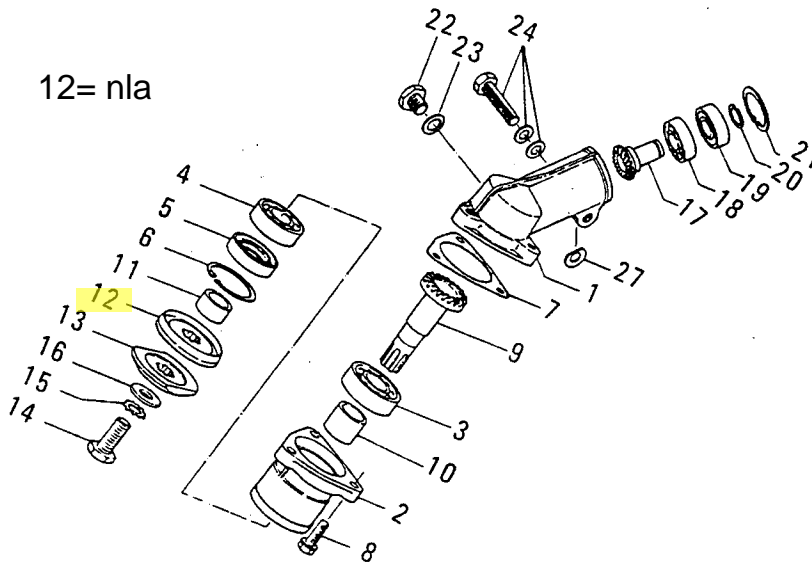
Ref No.	New Part No.	Description	Qty	Old Part No.	Remarks
1-1	400005	CLUTCH HOUSING	1		
	*	Housing Comp.	1	3150-11100	incl 1 thru 3
2	080001	Housing	1		*400005
3	010001	Seal	1	06122-02804	s/n 315305 and prior
4	010001	Screw	1	0260-00610	
5	400015	Gasket	1	3146-11140	
6	400020	Hanger	1	3140-11210	
7	400025	Clamp, hanger	1	3144-11230	s/n 315305 and prior
8	030001	Bolt	2	0224-10616	
9	040001	Washer	1	01641-20608	
10	400030	Clamp, cable	1	3120-11230	
11	030002	Bolt	1	0224-00610	
12	040002	Washer	1	0290-20615	
	400035	Clamp	1	3144-11240	

Ref No.	New Part No.	Description	Qty	Old Part No.	Remarks
1-13	030003	CLUTCH HOUSING Bolt	1	0224-10620	
14	050001	Nut	1	0280-10605	
15	400040	Clamp (A)	1	3140-11610	
16	400045	Clamp (B)	1	3140-11620	
17	400050	Bushing	2	3140-11630	
18	030001	Bolt	1	0224-10616	
19	050001	Nut	1	0280-10605	
20	400055	Stand	1	3144-11280	
21	030004	Bolt	2	0224-00612	
22	030005	Bolt	4	0224-50620	
	400059	Pipe Comp.	1	3140-11300	s/n 315305 & prior incl 23 & 24
	400060	Pipe Comp.	1	3198-11300	s/n 315306 & up incl 23 & 24
23	*	Pipe	1		*400059 s/n 315305 & prior
23	*	Pipe	1		*400060 s/n 315306 & up
24	400069	Bushing	4	3130-11323	s/n 315305 & prior
24	400070	Bushing	4	3146-11320	s/n 315306 & up
25	060001	Ring	1	3130-11420	
26	400075	Plate	1	3130-11430	
27	400079	Drum, clutch	1	3140-12110	s/n 315305 & prior
27	400080	Drum, clutch	1	3146-12111	s/n 315306 & up
28	070001	Bearing	2	06004-06202	
29	060002	Ring	1	04065-03515	
30	060003	Ring	1	04064-01510	
31	400084	Shaft (short) 53"	1	3150-12210	s/n 315305 & prior
31	400085	Shaft (long) 58.3"	1	3147-12211	s/n 315306 & up
		HANDLE ASS'Y.			
	400090	Bracket ass'y.	1	3150-14100	incl 59 thru 66
59	400095	Bracket	1	3150-14110	
60	400100	Cap, lower	1	3150-14120	
61	400105	Cap, upper	1	3150-14130	
62	030031	Bolt	6	0224-00610	
63	400110	Absorber	2	3144-14140	
64	400115	Clamp	2	3144-14150	
65	030002	Bolt	2	0224-00610	
66	050001	Nut	2	0280-10605	
	400120	Handle Comp. (L)	1	3168-14200	incl 67 & 68
67	*	Handle	1		*400120
68	400130	Grip	1	3168-14220	
	400135	Handle Comp. (R)	1	3144-14300	incl 69 & 70
69	*	Handle	1		*400135
69	*	Handle	1		*400140
70	400130	Grip	1	3168-14220	
71	400145	Collar	1	3168-14320	
72	400146	Lever (steel)	1	1000-82201	s/n 315305 & prior
73	400150	Lever (plastic)	1	3198-14330	s/n 315306 & up

FIG. 2

GEARCASE ASSEMBLY

FOR SERIAL NUMBER 315305 & PRIOR CLOCKWISE ROTATION

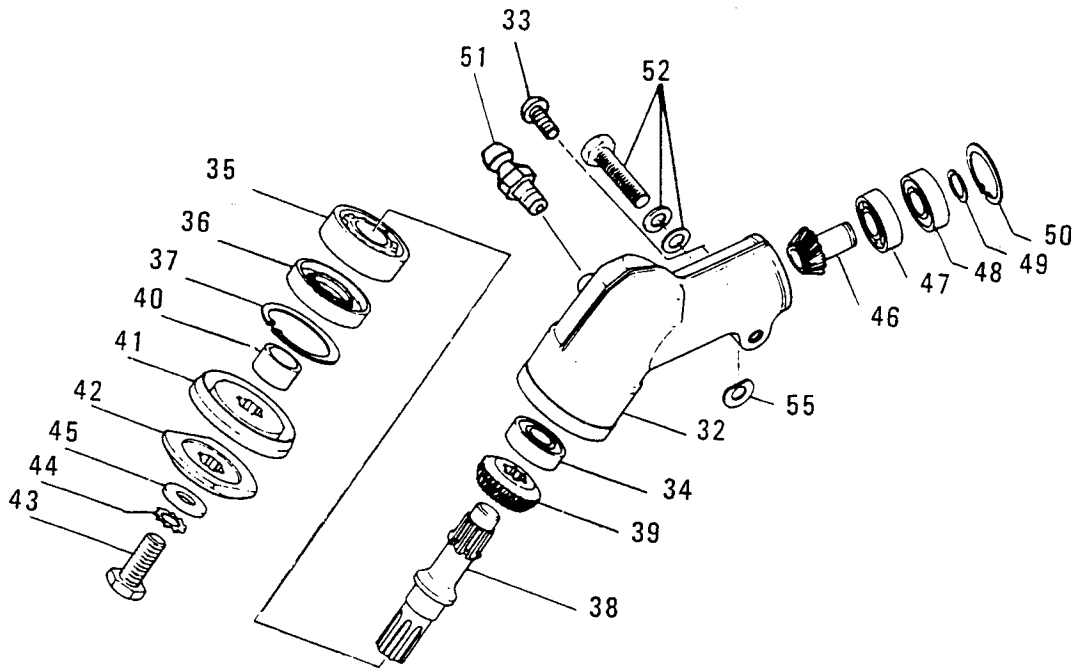


Ref. No.	New Part No.	Description	Qty	Old Part No.	Remarks
2-1	400205	GEARCASE	1		
2	400206	Gearcase Ass'y.	1	3150-13000	incl 1 thru 27
3	400207	Gearcase, upper	1	3150-13110	
4	070003	Gearcase, lower	1	3150-13120	
5	070012	Bearing	1	06000-06203	
6	080007	Bearing	1	06000-06202	
7	060002	Seal	1	3130-13141	
8	400208	Ring	1	06065-03513	
9	030006	Gasket	1	3150-13130	
10	400209	Bolt	3	0225-50620	
11	400210	Gear, bevel	1	3150-13210	
12	400211	Spacer	1	3150-13220	
13	400212	Collar	1	3130-13235	
14	400213	Holder (A)	1	3130-13241	
15	030007	Holder (B)	1	3120-13250	
16	040023	Bolt	1	0218-21025	
17	040004	Washer	1	1000-43220	
18	400214	Washer	1	3100-16130	
19	070011	Pinion, bevel	1	3150-13310	
20	070009	Bearing	1	06000-06001	
21	060004	Bearing	1	06002-06001	
22	060005	Ring	1	3130-13270	
23	400215	Ring	1	04065-02812	
24	400216	Plug	1	3120-13510	
25	030010	Gasket	1	3146-13520	
26	400217	Bolt	1	3130-13610	
27		Shim	1	3130-13620	

FIG. 3

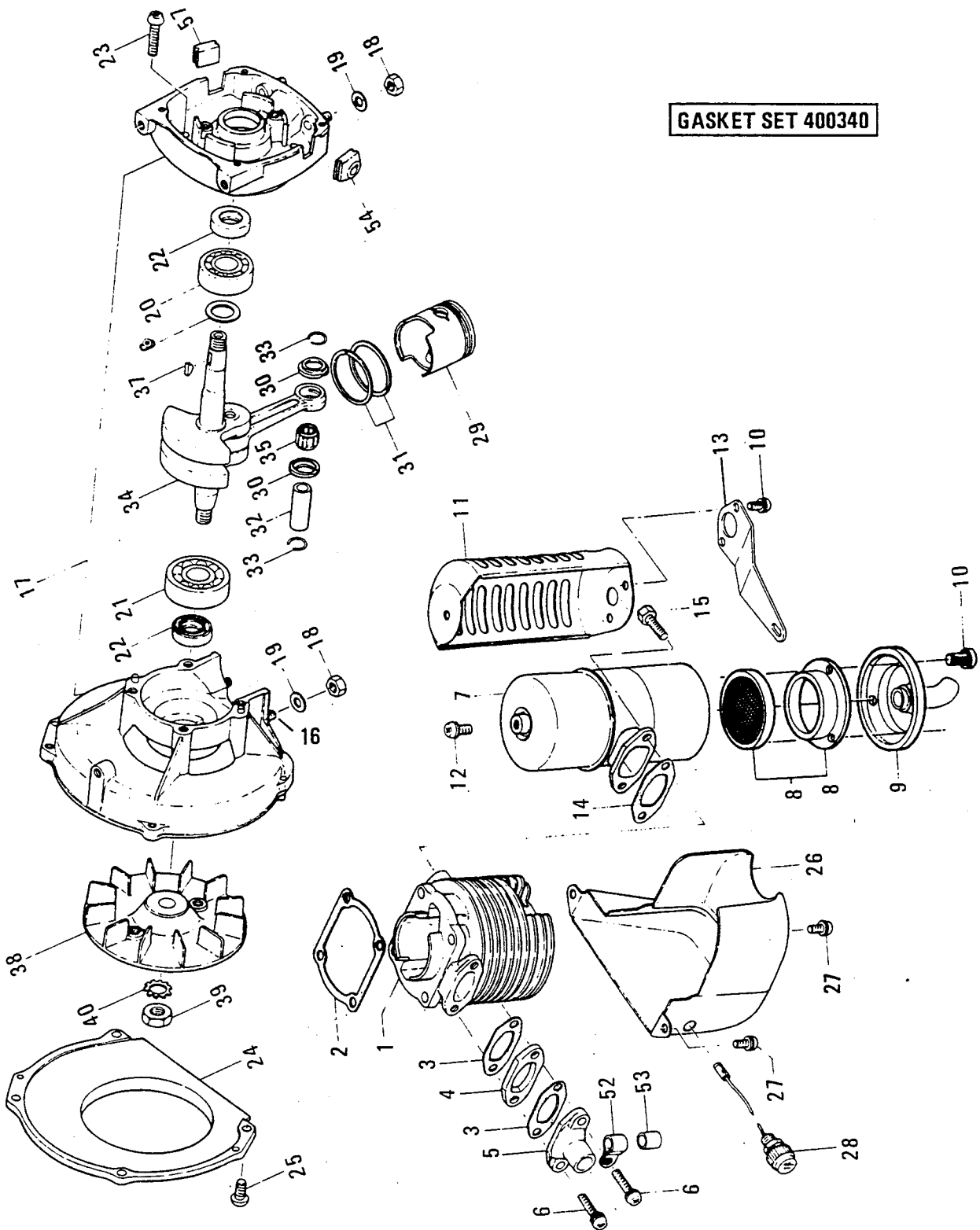
GEARCASE ASSEMBLY

FOR SERIAL NUMBER 386877 & UP COUNTERCLOCKWISE ROTATION



Ref No.	New Part No.	Description	Qty	Old Part No.	Remarks
3-32	400220	Gearcase ass'y.	1	3198-13000	incl 32-55
	400221	Gearcase	1	3198-13110	
33	010002	Screw	1	0260-00510	
34	070002	Bearing	1	06004-06001	
35	070003	Bearing	1	06000-06203	
36	080002	Seal	1	3146-13120	
37	060010	Ring	1	04065-04018	
38	400222	Shaft	1	3140-13210	
39	*	Gear, set	1	3140-13221	*400223
40	400224	Collar	1	3146-13230	
41	400368	Holder (A)	1	3130-13241	
42	400369	Holder (B)	1	3120-13250	
43	400225	Bolt	1	3130-13260	
44	040003	Washer	1	1000-43130	
45	040004	Washer	1	3100-16130	
46	*	Pinion, set	1	3140-13311	*400223
47	070011	Bearing	1	06000-06001	
48	070009	Bearing	1	06002-06001	
49	060004	Ring	1	3130-13270	
50	060005	Ring	1	04065-02812	
51	400227	Fitting	1	07020-00000	
52	030010	Bolt	1	3130-13610	
55	400217	Shim	1	3130-13620	

FIG. 4



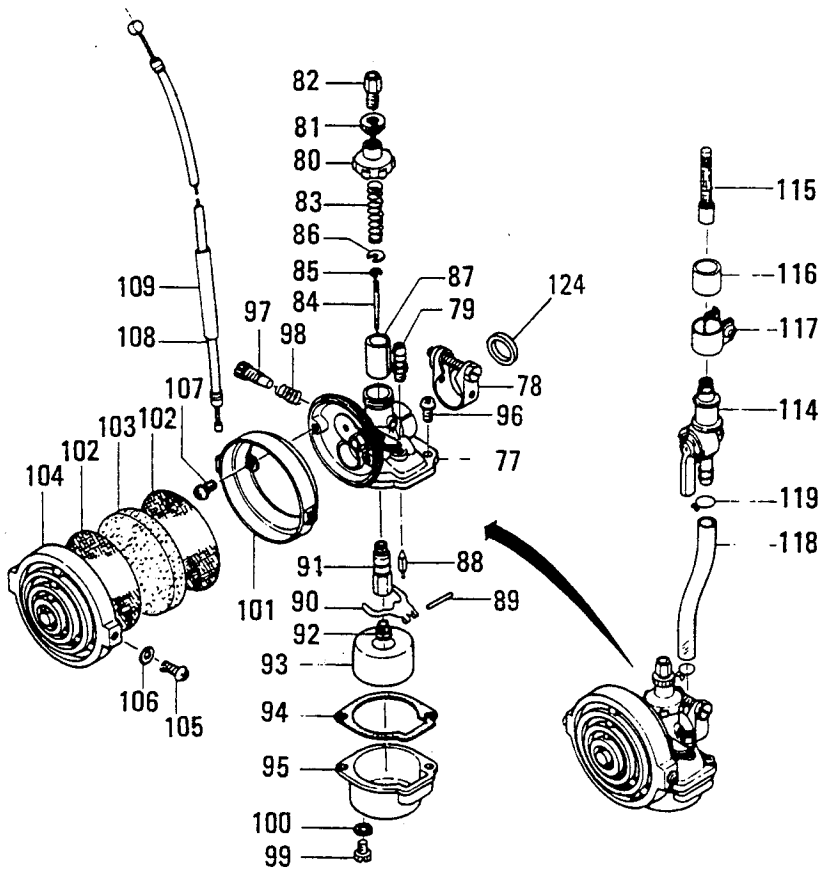
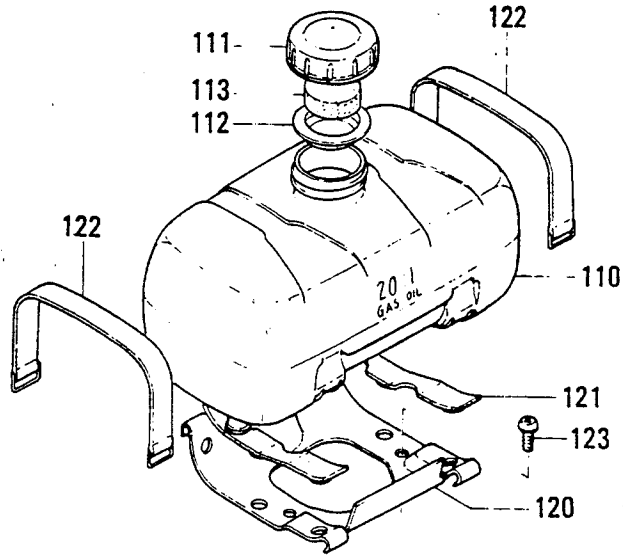
CYLINDER, CRANKCASE, COVER, AND PISTON & CRANKSHAFT

Ref. No.	New Part No.	Description	Qty	Old Part No.	Remarks
4-1	400230	CYLINDER	1	1389-12100	
2	400231	Cylinder	1	1340-13020	
3	400232	Gasket	2	1300-13030	
4	400233	Gasket	1	1300-13060	
5	400203	Insulator	1	1300-13070	
6	010030	Pipe, inlet	1	1300-13070	
	400234	Screw	2	0260-30525	
	400235	Muffler Comp.	1	1376-15110	s/n 315305 & prior
7	*	Muffler Comp.	1	1396-15100	s/n 315306 & up
8	400236	Muffler Body	1	1396-15100	* 400235
9	400237	Arrestor	1	1396-15120	s/n 315306 & up
10	010022	Cover	1	1396-15130	s/n 315306 & up
11	400238	Screw	3	0260-20408	s/n 315306 & up
12	010024	Guard	1	1385-15210	
13	400239	Screw	3	0260-30512	
14	400240	Stay, muffler	1	1359-15220	
15	030036	Gasket	1	1300-13040	
		Bolt	2	0225-00512	
		CRANKCASE			
16	400204	Stud, Crankcase	4	1030-21130	
17	400241	Crankcase Comp.	1	1340-21101	
18	050001	Nut	4	0280-10605	
19	040001	Washer	4	01641-20608	
20	070012	Bearing	1	06000-06202	
21	070015	Bearing	1	06000-06302	
22	080008	Seal	2	1520-21220	
23	010032	Screw	4	0260-00625	
		COVER			
24	400242	Cover, fan	1	1396-31110	
25	010035	Screw	4	0260-00614	
26	400243	Cover Comp.	1	1396-31210	
27	010024	Screw	3	0260-30512	
28	400256	Switch Ass'y.	1	1520-72200	
		PISTON & CRANK			
29	400246	Piston	1	1340-41111	
30	400245	Washer, thrust	2	1030-41120	
31	400248	Ring, piston	2	1340-41220	
32	400247	Pin, piston	1	2500-41230	
33	400249	Ring, snap	2	1300-41320	
34	400250	Crankshaft Comp.	1	1075-42000	
35	400251	Bearing	1	1030-42400	
36	400252	Shim	0/2	1300-42410	
37	309623	Key	1	1000-43240	
38	400253	Fan, cooling	1	1375-43110	
39	050009	Nut	1	1300-43230	
40	040023	Washer	1	1000-43220	
52	400304	Clip	1	1000-71120	
53	400305	Tube	1	1000-71130	
54	400254	Grommet	1	1500-71210	
57	400255	Plug	1	1300-71230	



FIG. 5

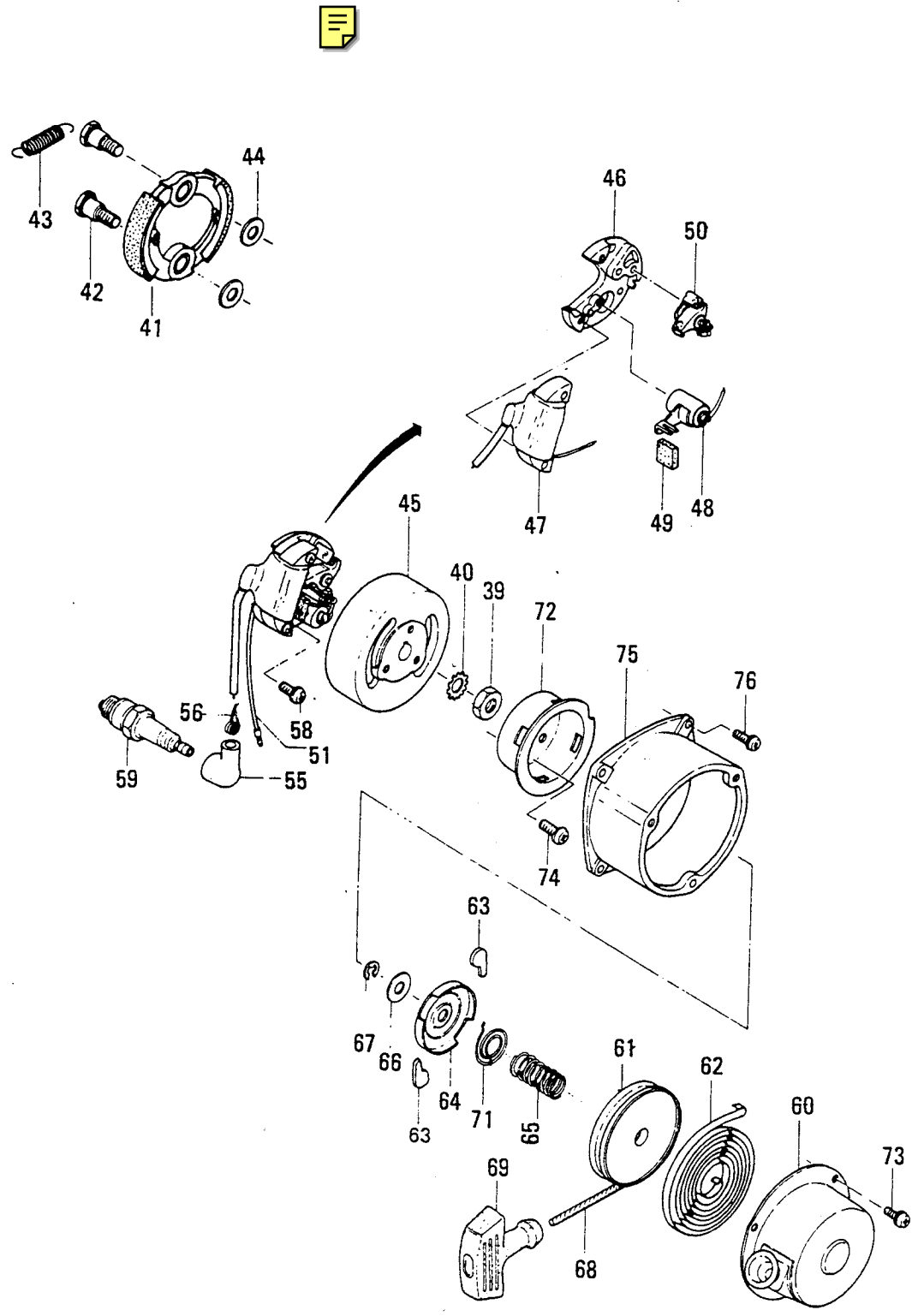
# TANK NLA



CARB KIT 400601

Ref. No.	New Part No.	Description	Qty	Old Part No.	Remarks
5-77	400260	CARBURETOR			
	*	Carburetor Comp.	1	1375-81000	
78	400261	Body, carburetor	1		* 400260
79	400262	Band Ass'y.	1	1038-81000-08	
79	400342	Seat, needle	1	1375-81000-10	
80	309863	Seat, needle	1	1338-81002-10	
81	309862	Cap, body	1	1030-81000-11	
82	400263	Nut, cable adj.	1	1030-81000-12	
83	309864	Adjuster, cable	1	1030-81000-13	
84	400264	Spring, throttle	1	1030-81000-14	
85	309627	Needle, jet	1	1389-81000-15	
86	309865	Clip, jet needle	1	1030-81000-16	
87	400266	Receiver	1	1030-81000-17	
88	400267	Valve, throttle	1	1389-81000-18	
88	400341	Valve, needle	1	1389-81000-19	
89	309879	Valve, needle	1	1334-81230	
90	400268	Pin, float hinge	1	1030-81000-20	
90	380008	Hinge, float	1	1389-81000-21	
91	400269	Hinge, float	1	1030-81000-21	
92	400270	Jet, needle	1	1389-81000-22	
93	380011	Jet, main #59	1	1389-81000-23	
94	400272	Float	1	1389-81000-24	
95	400273	Packing	1	1030-81000-25	
96	010013	Chamber, float	1	1389-81000-26	
97	309871	Screw	2	0260-10410	
98	309872	Screw, adjust	1	1038-81001-29	
99	010053	Spring, adjust	1	1030-81001-31	
100	400275	Screw, drain	1	1038-81000-32	
	400280	Gasket	1	1030-81000-33	
101	309890	Cleaner Ass'y.	1	1075-82000	
102	309892	Body, cleaner	1	1038-82012	
103	309891	Screen	2	1030-82020	
104	190076	Element	1	1030-82030	
105	010041	Cover	1	1075-82041	
106	040014	Screw	2	0260-00408	
107	010042	Washer	2	1030-82081	
108	300280	Screw	2	0260-10408	
108	300308	Cable Comp. (plastic lever)	1	1139-83100	
109	400282	Cable Comp. (steel lever)	1	1506-82100	s/n 315306 & up s/n 315305 & prior
		Tube	1	07270-00604	
	400285	TANK ASS'Y.			
110	*	Tank Ass'y.	1	1375-85001	
	400286	Tank	1		
111	*	Cap Ass'y.	1	1030-85300	* 400285
112	*	Cap, fuel tank	1		
113	*	Cap, inner	1		* 400286
	400287	Element	1		* 400286
114	*	Cock Ass'y.	1	1087-85400	* 400286
115	*	Body, cock	1		
116	*	Strainer	1		* 400287
117	*	Pipe	1		* 400287
118	400288	Band Ass'y.	1		* 400287
119	400289	Pipe	1	1375-86111	* 400287
	400290	Clip	2	1030-86130	
120	*	Bracket Comp.	1	1375-86200	
121	400291	Bracket	1		
122	400292	Cushion	2	1375-86230	* 400290
123	010043	Band	2	1075-86240	
124	260255	Screw	3	0260-10612	
		0 Ring	1		

FIG. 6



CLUTCH, MAGNETO, and RECOIL STARTER

Ref. No.	New Part No.	Description	Qty	Old Part No.	Remarks
6-41	400294	CLUTCH Shoe	2	1075-51111	
42	400295	Screw	2	1075-51210	
43	400296	Spring, clutch	1	1075-51220	
44	040029	Washer	2	1075-51231	
		MAGNETO			
	400297	Magneto Ass'y.	1	1030-71001	incl 45 thru 51
45	400298	Flywheel	1	1030-71001-10	
	400299	Stator Ass'y.	1	1030-71000-20	incl 46 thru 50
46	*	Plate, stator	1		*400299
47	400300	Coil, ignition	1	1030-71000-22	
48	400301	Condensor	1	1000-71000-25	
49	400302	Felt, oil	1	1000-71000-28	
50	190031	Breaker, points	1	1000-71000-30	
51	400303	Wire	1	1030-71000-47	
52	400304	Clip	1	1000-71120	Not Illustrated
53	400305	Tube	1	1000-71130	Not Illustrated
55	190110	Cap, plug	1	1100-72211	
56	190035	Spring, plug cap	1	1500-71420	
58	010044	Screw	2	0260-30414	
59	400306	Plug, spark	1	0400-02302	
		RECOIL STARTER			
	400310	Starter Ass'y.	1	1076-72002	
60	400311	Case	1	1076-72110	
61	400312	Reel	1	1034-72120	
62	400313	Spring, spiral	1	1034-72130	
63	400314	Ratchet	2	1034-72141	
64	400315	Plate, friction	1	1034-72150	
65	400316	Spring, friction	1	1034-72100	
66	040030	Washer	1	1034-72170	
67	400317	E-Ring	1	1034-72180	
68	400318	Rope	1	1034-72190	
69	400319	Knob	1	1034-72211	
71	400320	Spring, return	1	1034-72230	
72	400321	Pulley, starter	1	1034-72310	
73	010024	Screw	3	0260-30512	
74	010043	Screw	3	0260-10612	
75	400322	Cover, magneto	1	1396-22110	
76	010044	Screw	4	0260-30414	