

For Green Machine Parts Call 606-678-9623 or 606-561-4983

The Green Machine[®]

A product of HMC, Long Beach, Ca. 90810

New Model

PARTS CATALOG

MODEL 3000 AND 3100

© HMC 1981

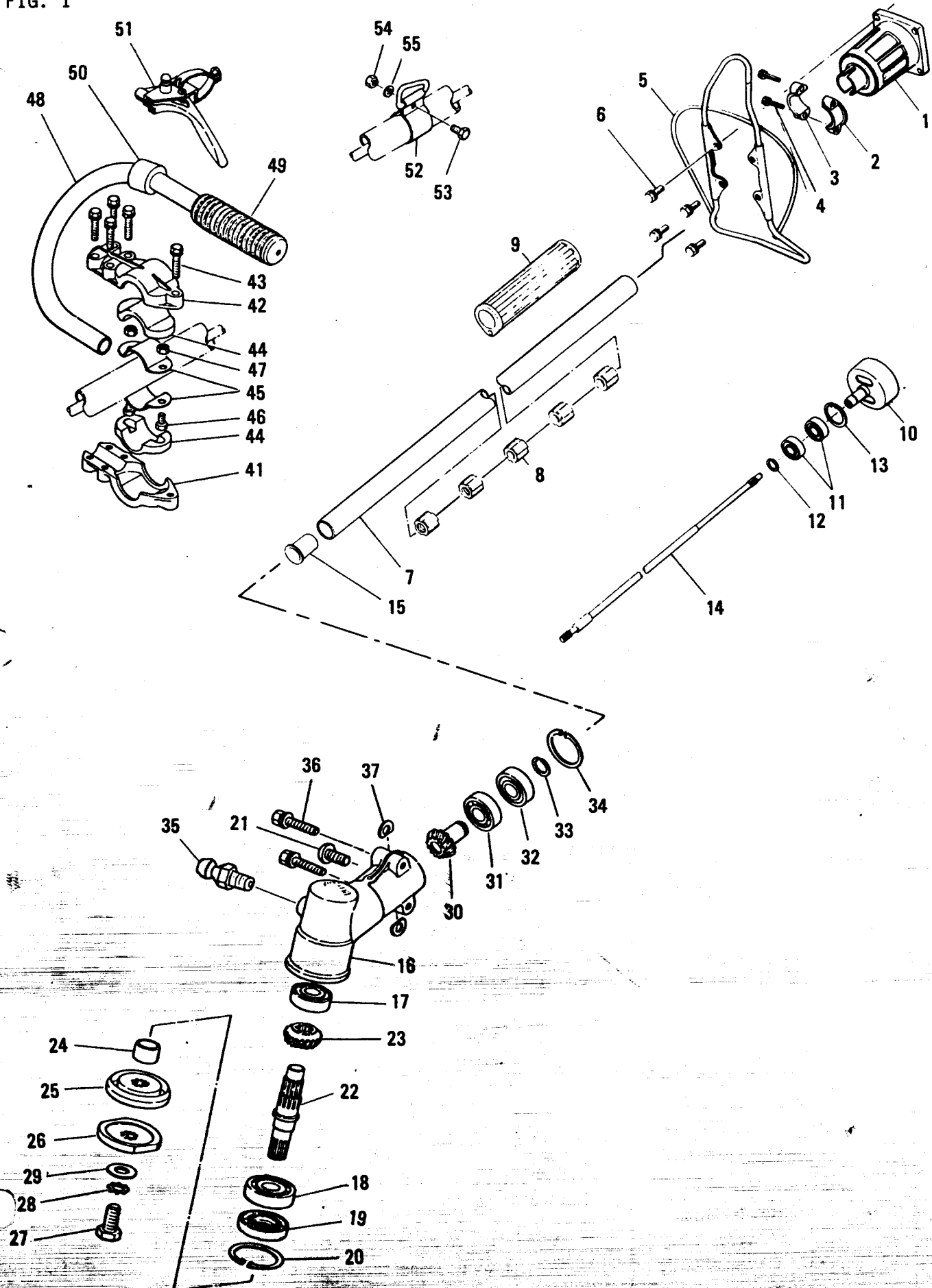
SERIAL NO. 204479 & UP

HMC

20710 ALAMEDA ST., LONG BEACH, CALIFORNIA 90810 • (213) 603-8888 • TELEX 860748

www.mymowerparts.com

FIG. 1

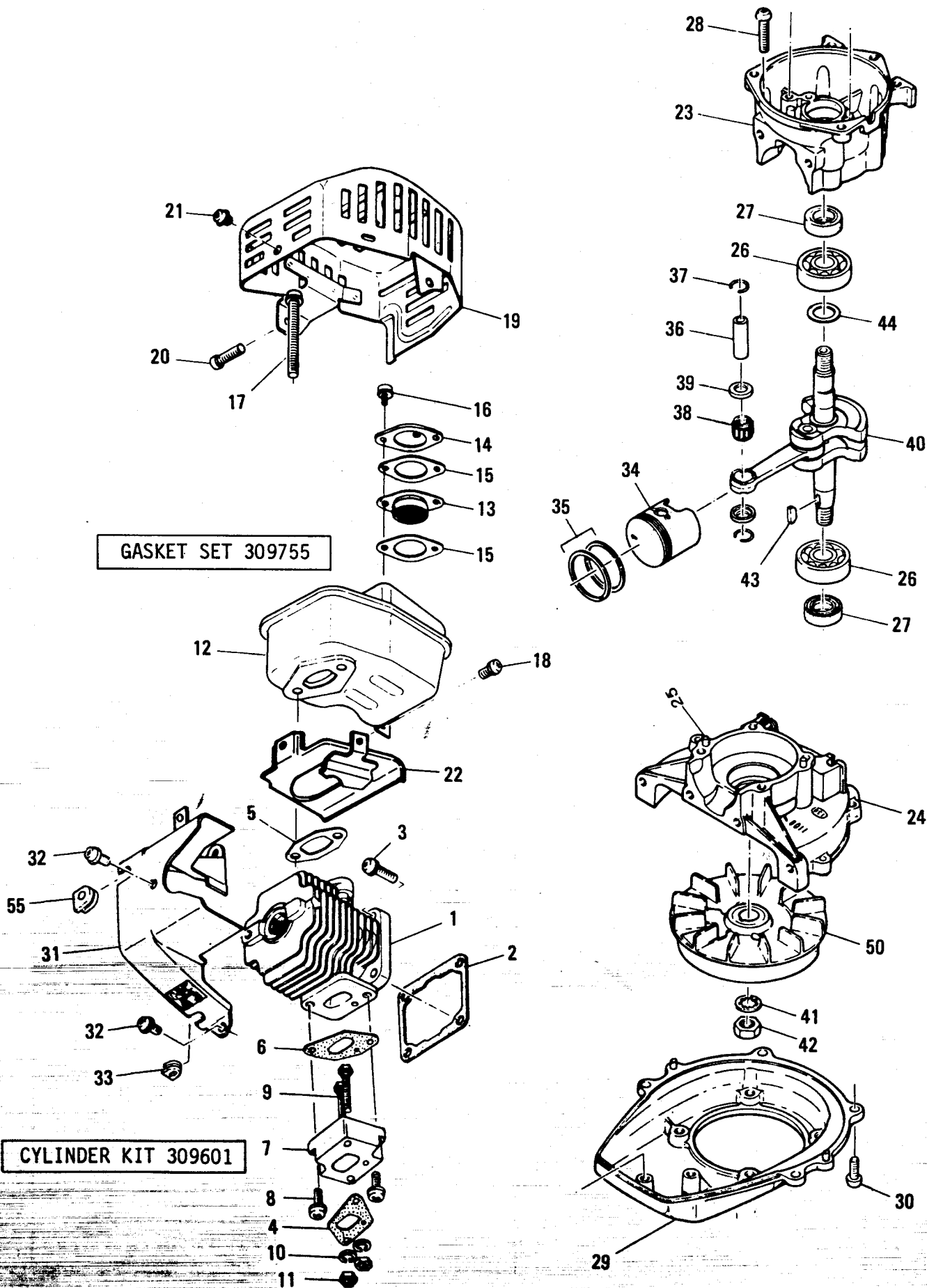


GEAR CASE, DRIVESHAFT, CLUTCH HOUSING, AND DRIVESHAFT HOUSING

FIG. 1

Ref. No.	New Part No.	Description	Qty	Old Part No.	Remarks
1-1	300004	Housing Comp.	1	3199-11120	
2	309826	Clamp (A)	1	3199-11130	
3	309827	Clamp (B)	1	3199-11140	
4	030008	Bolt	2	0224-50525	
5	300015	Stand	1	3199-11210	
6	030005	Bolt	4	0224-50620	
7	300020	Pipe Comp.	1	3220-11300	Incl. 7 thru 9
	*	Pipe	1	3220-11310	* 300020
8	300030	Bushing	5	3180-11320	
9	300035	Grip	1	3183-11330	
10	300305	Drum, clutch	1	3183-12110	
11	070002	Bearing	2	06004-06001	
12	060008	Ring	1	3130-13270	
13	060005	Ring	1	04065-02812	
14	300045	Shaft	1	3183-12210	60 1/4" Long
15		Stopper	1	3220-12220	Obsolete
	300050	Gear Case Comp.	1	3180-13000	Incl. 16 thru 37
16	300095	Case,	1	3180-13110	
17	070004	Bearing	1	06004-06000	
18	070005	Bearing	1	06000-06001	
19	080003	Seal	1	3180-13141	
20	060006	Ring	1	04065-03212	
21	010002	Screw	1	0260-00510	
22	300055	Shaft, gear	1	3180-13212	
23		Gear, bevel	1	3180-13220	K 309770 Pinion Set
24	300065	Collar	1	3180-13231	
25	300070	Holder (A)	1	3180-13240	
26	300075	Holder (B)	1	3180-13251	
27	300080	Bolt	1	3180-13261	
28	040007	Washer	1	3180-13270	
29	040008	Washer	1	3180-13280	
30		Pinion, bevel	1	3180-13311	K 309770 Pinion Set
31	070006	Bearing	1	06000-06000	
32	070007	Bearing	1	06002-06000	
33	060007	Ring	1	3180-13330	
34	060011	Ring	1	3180-13340	
35	300090	Fitting	1		For gearcase with HMC lettering
35	203500	Fitting	1	3199-13350	For gearcase without HMC lettering
36	030008	Bolt	2	0224-50525	
37	300010	Shim	2	3180-11120	
	300306	Bracket Ass'y.	1	3180-14600	
41	*	Bracket Lower	1	3180-14610	* 300306
42	*	Bracket Upper	1	3180-14620	* 300306
43	030008	Bolt	5	0224-50525	
44	300120	Absorber	2	3180-14630	
45	300125	Clamp	2	3180-14640	
46	030009	Bolt	2	0224-00510	
47	050003	Nut	2	0280-10504	
	300130	Handle Comp.	1	3199-14200	Incl. 48 thru 51
48	*	Handle	1	3180-14210	* 300130
49	300140	Grip	1	3183-14220	
50	300145	Collar	1	3130-14320	
51	400150	Lever	1	3198-14330	
52	300150	Hanger	1	3180-17110	
53	010002	Screw	1		
54	050003	Nut	1	0280-10504	
55	040009	Washer	1	01601-20513	

FIG. 2



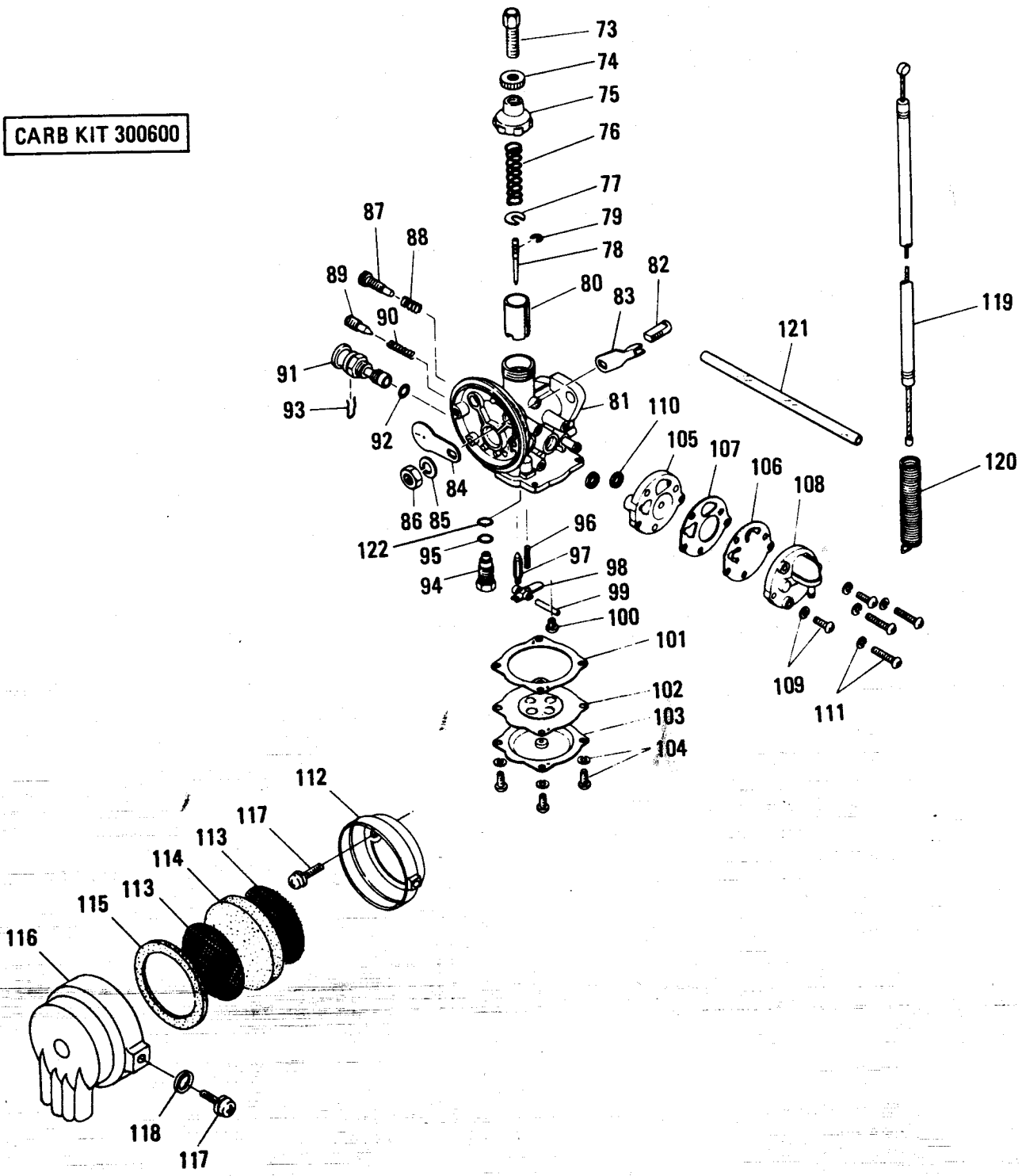
CYLINDER, CRANKCASE, COVER, PISTON and CRANKSHAFT, and MUFFLER

FIG. 2

Ref. No.	New Part No.	Description	Qty	Old Part No.	Remarks
2-1	309601	Cylinder (Kit)	1	1100-12112	incl. 1, 2, & 4 - 7
2	300298	Gasket	1	1100-13120	
3	010020	Screw	4	0260-10520	
4	300293	Gasket	1	1101-13130	
5	300297	Gasket	1	1100-13140	
6	300296	Gasket	1	1101-13151	
7	309606	Insulator	1	1101-13160	
8	010021	Screw	2	0260-30520	
9	030018	Bolt	2	0224-00525	
10	040009	Washer	2	01601-20513	
11	050003	Nut	2	0280-10504	
	309607	Muffler Comp.	1	1139-15001	incl. 12 thru 16 * 309607
12	*	Body, muffler	1	1139-15111	
13	309609	Arrestor	1	1139-15120	
14	309610	Cover	1	1139-15131	
15	309611	Gasket	2	1139-15140	
16	010022	Screw	2	0260-20406	
17	010033	Screw	2	0260-10550	
18	010017	Screw	1	0260-20510	
19	309612	Cover (A)	1	1130-17210	
20	010016	Screw	1	0260-00516	
21	010034	Screw	2	0260-20508	
22	309613	Cover (B)	1	1130-17310	
	309614	Crankcase Comp.	1	1100-21101	incl. 23 thru 25 * 309614 * 309614
23	*	Crankcase (S)	1		
24	*	Crankcase (F)	1		
25	309615	Dowel	2	1101-21140	
26	070013	Bearing	2	06030-06201	
27	080006	Seal	2	1100-21210	
28	010005	Screw	4	0260-00525	
29	309616	Cover, fan	1	1100-31100	
30	010016	Screw	4	0260-00514	
31	309617	Cover	1	1139-37200	
32	010017	Screw	3	0260-20510	
33	309618	Grommet	1	1104-72120	
34	309619	Piston	1	1101-41110	
35	309620	Ring, piston	2	1100-41210	
36	309621	Pin, piston	1	1101-41310	
37	060012	Ring, snap	2	1101-41320	
38	070014	Bearing	1	1101-41331	
39	040019	Washer	2	1101-41340	
40	309622	Crankshaft Comp.	1	1101-42001	
41	040020	Washer	1	0293-01009	
42	050002	Nut	2	1100-43231	
43	309623	Key	1	1000-43240	
44	309624	Shim	A/R	1100-43250	
50	309625	Rotor (flywheel)	1	1100-71201	
55	190032	Grommet	1	1100-72110	

Fig. 3

CARB KIT 300600

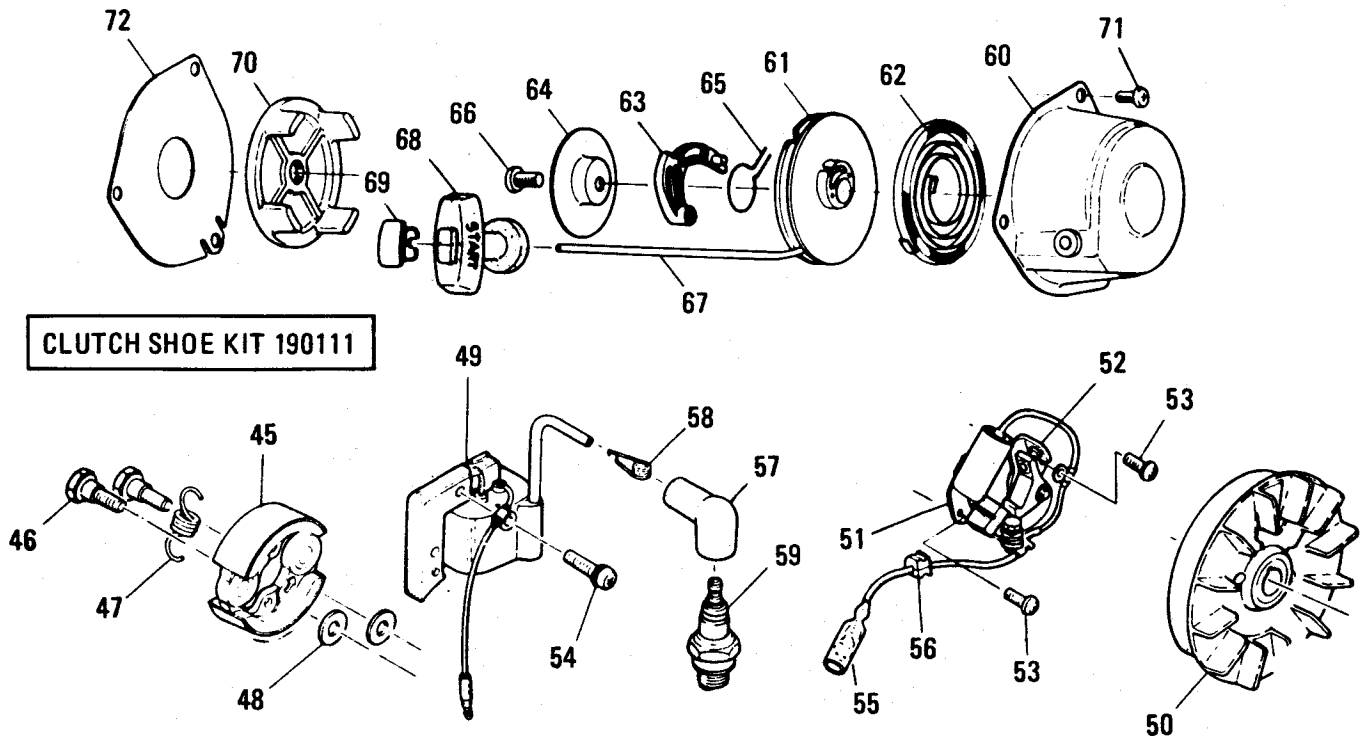


AIR CLEANER AND CARBURETOR Fig. 3

Ref. No.	New Part No.	Description	Qty	Old Part No.	Remarks
3-73	309860	Carburetor Comp.	1	1101-81000	incl. 71 thru 111
74	309861	Adjuster, cable	1	1101-81170	
75	309862	Nut	1	1101-81180	
76	309863	Cap, body	1	1101-81110	
77	309864	Spring	1	1100-81120	
78	309865	Receive	1	1100-81130	
79	309866	Needle	1	1101-81140	
80	309627	Clip	1	1101-81190	
81	309867	Valve	1	1100-81151	
82	*	Body, carb.	1		* 309860
83	309868	Bolt	1	1100-81220	
84	309869	Lever, choke	1	1100-81230	
85	309870	Plate, choke	1	1100-81240	
86	040021	Washer	1	1100-81250	
87	050005	Nut	1	1100-81260	
88	309871	Screw	1	1100-81310	
89	309872	Spring	1	1100-81360	
90	309873	Screw	1	1100-81330	
91	309874	Spring	1	1100-81340	
92	309875	Knob	1	1101-81351	incl. 92 and 93
93	309628	O Ring	1	1101-81360	
94	309629	Clip	1	1101-81380	
95	309876	Needle Jet Ass'y.	1	1101-81410	incl 95 std. jet
96	309630	Needle Jet Ass'y.	1	1101-00801	OP High alt. #52
97	309631	O Ring (lower)	1	1101-81940	incl. with needle jet
98	309745	Spring	1	1101-81430	K 300600
99	309877	Valve	1	1100-81440	K 300600
100	309878	Hinge	1	1100-81450	K 300600
101	309879	Pin	1	1100-81461	
102	010025	Screw	1	0260-00306	
103	300299	Packing	1	1101-81470	K 300600
104	309881	Diaphragm Comp.	1	1100-81480	K 300600
105	309882	Cover	1	1101-81492	
106	010015	Screw	4	0260-10308	
107	309883	Fuel Pump Comp.	1	1100-81701	incl. 105 thru 109
108	309884	Base	1	1100-81710	
109	309885	Diaphragm	1	1100-81720	K 300600
110	309886	Packing	1	1100-81730	K 300600
111	309887	Cover	1	1100-81740	
112	010027	Screw	2	0260-10310	
113	309888	Packing	2	1100-81930	K 300600
114	010028	Screw	3	0260-10316	
115	309889	Air Cleaner Ass'y.	1	1139-82000	incl. 112 thru 118
116	309890	Body, cleaner	1	1038-82012	
117	309892	Screen	2	1030-82020	
118	309891	Element	1	1030-82030	
119	309893	Packing	1	1063-82050	
120	309894	Cover	1	1063-82040	
121	010073	Screw	4	0260-10410	
122	040014	Washer	2	1030-82081	
	300280	Cable Comp.	1	1139-83100	
	190107	Spring	1	1100-83210	
	309897	Pipe	1	1101-86180	
	309945	Upper O Ring	1	1130-81420	K 300600

Fig. 4

RECOIL STARTER, MAGNETO, AND CLUTCH

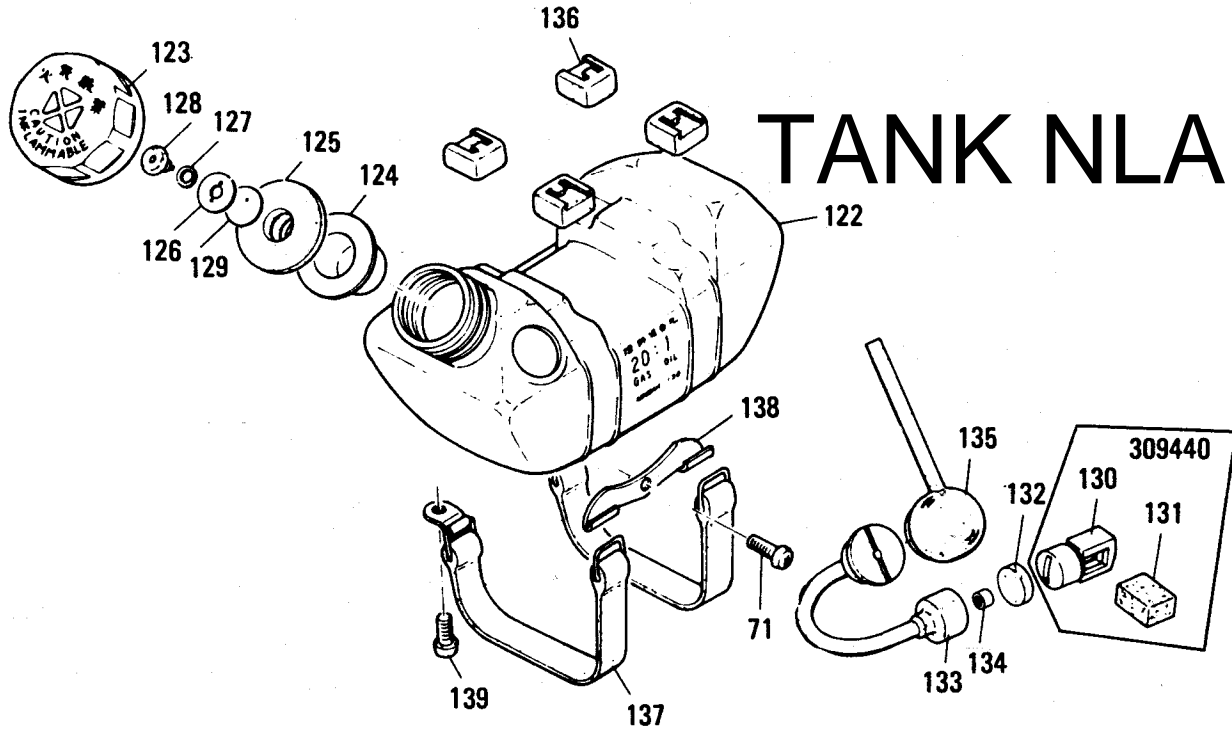


CLUTCH SHOE KIT 190111

Ref. No.	New Part No.	Description	Qty.	Old Part No.	Remarks
4-45	190025	Shoe, clutch	2	1100-51111	
46	030014	Screw	2	1100-51210	
47	190026	Spring, clutch	1	1122-51220	
48	040010	Washer	2	1101-51231	
49	309633	Coil	1	1100-71100	
50	309625	Rotor (flywheel)	1	1100-71201	
51	309635	Condenser	1	1100-71300	
52	309636	Breaker, points	1	1120-71400	
53	010002	Screw	2	0260-00510	
54	010020	Screw	2	1100-72310	
55	309946	Cord	1	1120-71600	
	309760	Magneto Ass'y.	1	1101-71000	Incl. 49 thru 56
56	190033	Grommet	1	1100-72120	
57	190110	Cap, spark plug	1	1100-72211	
58	190035	Spring, plug cap	1	1500-71420	
59	190036	Plug, spark	1	1110-73000	
	309847	Starter Comp.	1	1130-75000	Inc. 60 thru 69
60	309848	Case, starter	1	1130-75110	
61	309849	Reel	1	1130-75210	
62	300285	Spring	1	1130-75220	
63	309850	Ratchet	1	1130-75230	
64	309852	Plate, friction	1	1130-75240	
65	309853	Spring, friction	1	1130-75251	
66	010031	Screw	1	1130-75260	
67	309854	Rope, starter	1	1130-75310	
68	309855	Knob, starter	1	1130-75320	
69	309856	Cap, knob	1	1130-75330	
70	309639	Pulley, starter	1	1130-75410	
71	010002	Screw	3	0260-00510	
72	309640	Gasket	1	1101-75150	
73	309857	Return Spring	1		

Fig. 5

FUEL TANK ASS'Y. and CAP



TANK NLA

Ref. No.	New Part No.	Description	Qty	Old Part No.	Remarks
5-71	309641	Fuel Tank Comp.	1	1139-85001	incl.122 thru 135
122	010002	Screw	1	0260-00510	
	*	Tank, fuel	1	1130-85111	* 309641
123	309642	Cap Comp.	1	1130-85200	incl. 123 thru 129
	309643	Cap, fuel tank	1	1542-85211	
	309644	Inner Cap Comp.	1	1130-00501	incl. 124 thru 129
124	*	Holder (A)	1		* 309644
125	*	Holder (b)	1		* 309644
126	*	Retainer	1		* 309644
127	*	Washer	1		* 309644
128	*	Valve	1		* 309644
129	*	Plate	1		* 309644
	309650	Pipe Comp	1	1139-85401	incl 130 thru 134
130	309907	Weight	1	1100-85310	
131	309908	Filter (A)	1	1100-85320	
132	309652	Filter (B)	1	1100-85331	
133	309653	Pipe	1	1130-85411	
134	309910	Valve ass'y	1	1130-85510	
135	309654	Pump	1	1139-85610	
136	300292	Support	4	1110-86130	
137	309655	Band	2	1100-86141	
138	309656	Bracket	1	1101-86160	
139	010002	Screw	2	0260-00510	

SERVICE REPAIR KITS

Ref. No.	New Part No.	Description	Qty	Old Part No.	Remarks
Fig. 1	309770	Gear Set	1	3180-97110	incl. 23 and 30
- 23	*	Gear, bevel	1	3180-13220	* 309770
30	*	Pinion, Bevel	1	3180-13311	* 309770
Fig. 2	309601	Cylinder Set	1	1100-97213	incl. 1,2 and 4 - 7
- 1	*	Cylinder	1	1100-97213	* 309601
2	300298	Gasket	1	1100-13120	
4	300293	Gasket	1	1101-13130	
5	300297	Gasket	1	1100-13140	
6	300296	Gasket	1	1101-13151	
7	309606	Insulator	1	1101-13160	
Fig. 2	309614	Crankcase Set	1	1100-97223	
- 2	309602	Gasket	1	1100-13120	
23	*	Crankcase (S)	1	1130-21111	* 309614
24	*	Crankcase (F)	1	1100-21122	* 309614
25	309615	Dowel	2	1101-21140	
26	070013	Bearing	2	06030-06201	
27	080006	Seal	2	1100-21210	
28	010005	Screw	4	0260-00525	
Fig. 3	300600	Carb Kit	1	1101-81200	incl. 94,97,98,99,101 thru 103,106,107 &110
97	309877	Valve	1	1100-81440	
98	309878	Hinge	1	1100-81450	
96	309745	Spring	1		
101	300299	Packing	1	1101-81470	
102	309881	Diaphragm Comp.	1	1100-81480	
106	309885	Diaphragm	1	1100-81720	
107	309886	Packing	1	1100-81730	
110	309888	Packing	2	1100-81930	
122	309945	Upper O Ring	1		
Fig. 2	309755	Engine Gasket Set	1	1101-13000	incl. 2,4 thru 7 & 72
- 2	300297	Gasket	1	1100-13120	
4	300293	Gasket	1	1101-13130	
5	300298	Gasket	1	1100-13140	
6	300296	Gasket	1	1101-13151	
7	309606	Insulator	1	1101-13160	
72	309640	Gasket	1	1101-75150	
Fig. 4	190111	Clutch Shoe Kit	1	1130-00602	incl. 45 thru 48
- 45	190025	Shoe, clutch	2	1100-51111	
46	030014	Screw	2	1100-51210	
47	190026	Spring, clutch	1	1122-51220	
48	040010	Washer	2	1101-51231	