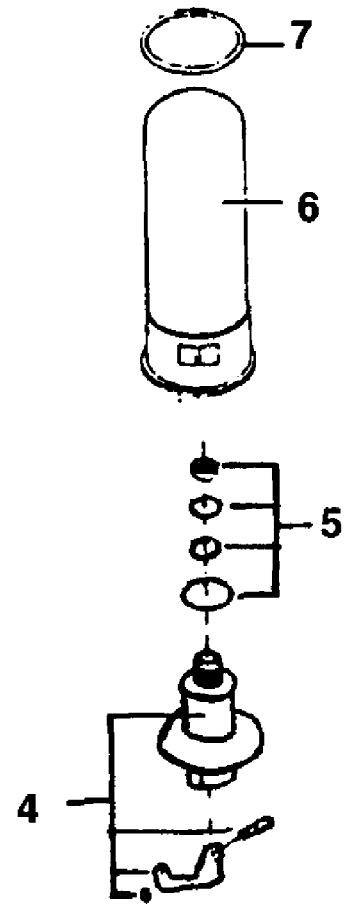
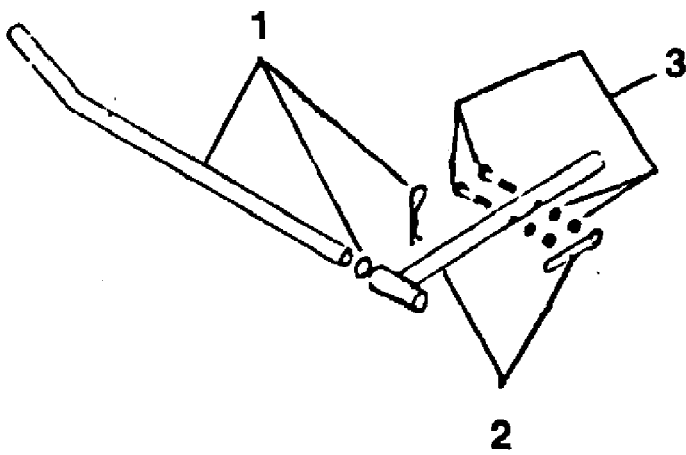


SP70 UT-26350
Handle & Pump

Page 1 of 4

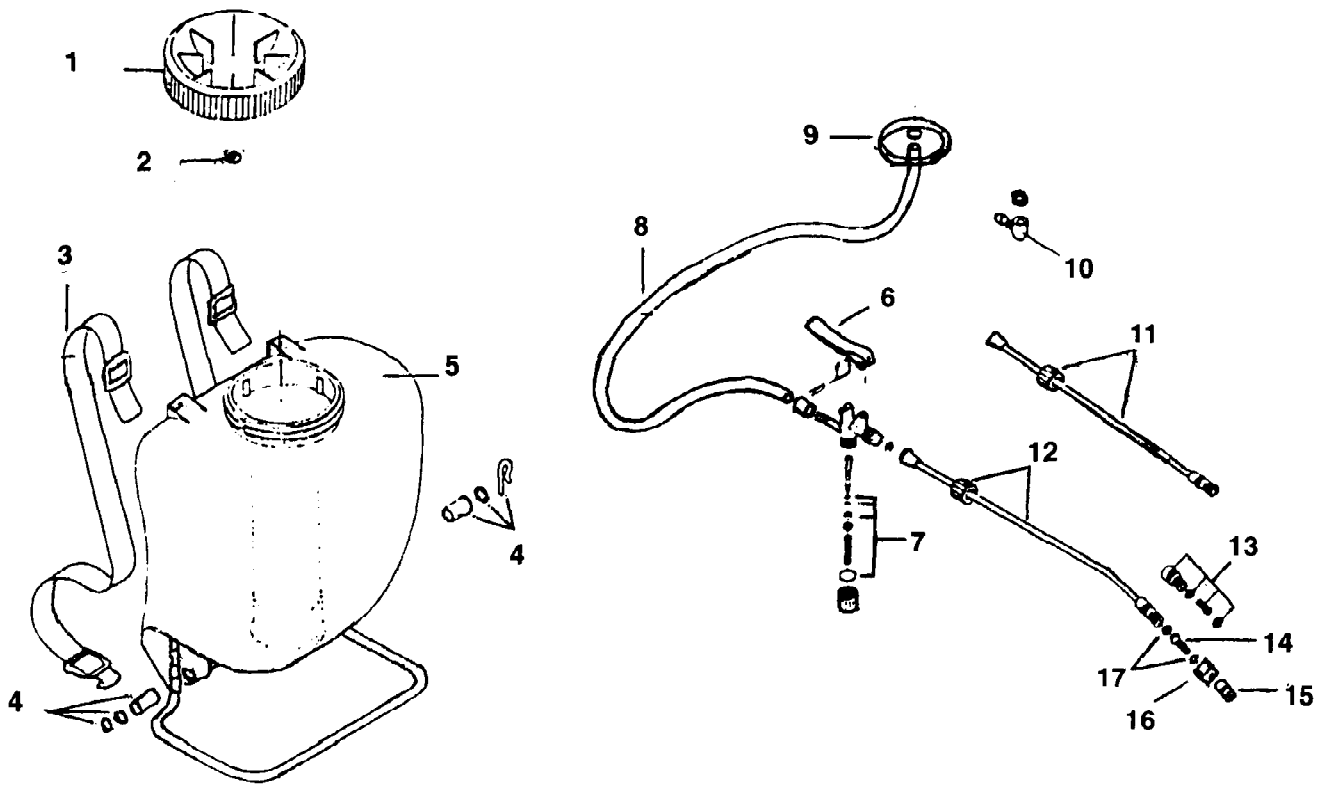


SP70 UT-26350
Handle & Pump

Page 2 of 4

Ref #	Part Number	Qty	S/P/F	Description
1	A0790607	1		PUMP HANDLE
2	A0790605	1		ARM, PUMP HANDLE
3	A0790606	1		HARDWARE KIT, HANDLE Torque Specs: 25-35 In/Lbs; 2.9-4.0 Nm
4	A0790613	1		PUMP MODULE ASSY.
5	A0790611	1		"O" RING SET, PUMP MODULE
6	A0790608	1		PRESSURE TANK
7	0790609	1		"O" RING, PRESSURE TANK

SP70 UT-26350
Tank & Wand



SP70 UT-26350
Tank & Wand

Page 4 of 4

Ref #	Part Number	Qty	S/P/F	Description
1	A0790601	1		CAP, TANK
2	0790602	1		CHECK VALVE FOR CAP
3	A0790614	2		SHOULDER BELTS
4	A0790604	2		NYLON BEARING ASSY
5	0790603	1		TANK WITH STAND
6	A0790616	1		COMPLETE SPRAY PISTOL
7	A0790617	1		"O" RING SET, SPRAY PISTOL
8	A0790615	1		HOSE SET
9	0790610	1		RETENTION CLAMP Torque Specs: 5-20 In/Lbs; .6-2.3 Nm
10	A0790619	1		90 DEGREE FITTING
11	A0790624	1		EXTENSION TUBE 66.5" (OPTIONAL)
12	A0790620	1		SPRAY WAND
13	A0790623	1		SPRAY STRAINER (OPTIONAL)
14	A0790621	1		ADJ. NOZZLE, BRASS (OPTIONAL)
17	A0790622	1		"O" RING SET, SPRAY TIP
15	A0790625	1		SPRAY TIP NOZZLE SET
17	A0790622	1		"O" RING SET, SPRAY TIP
16	A0790618	1	S	NOZZLE HOLDER
17	A0790622	1		"O" RING SET, SPRAY TIP