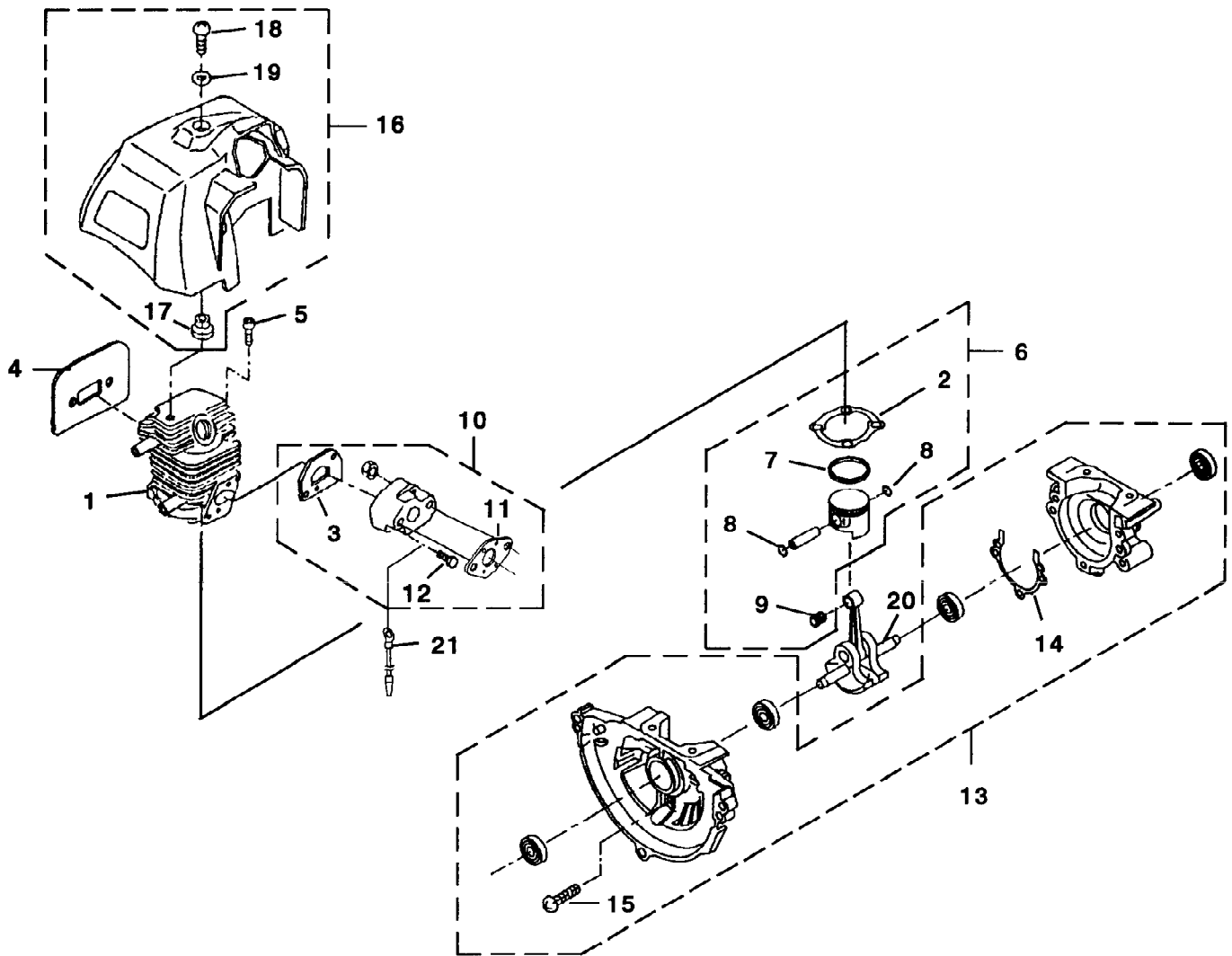
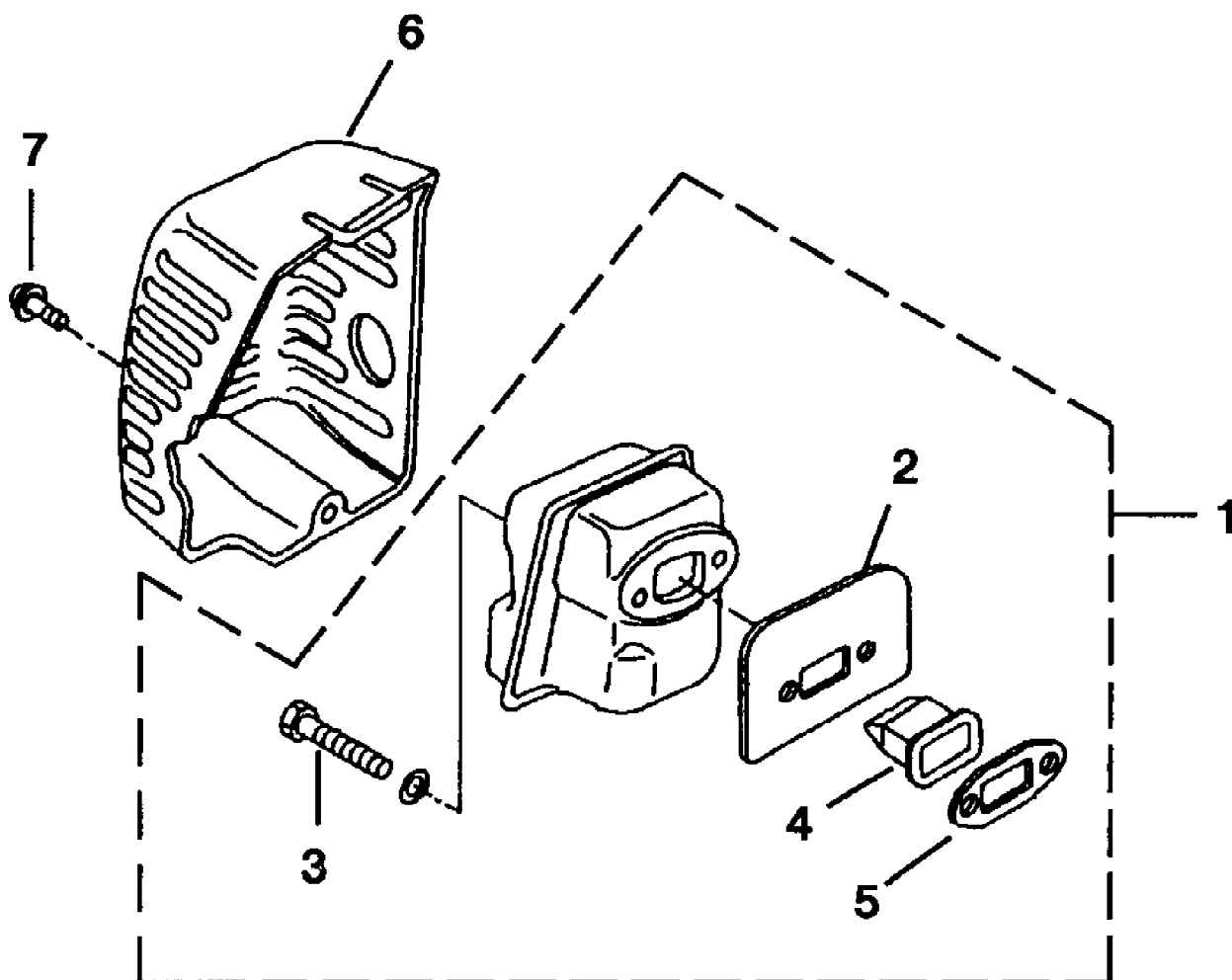


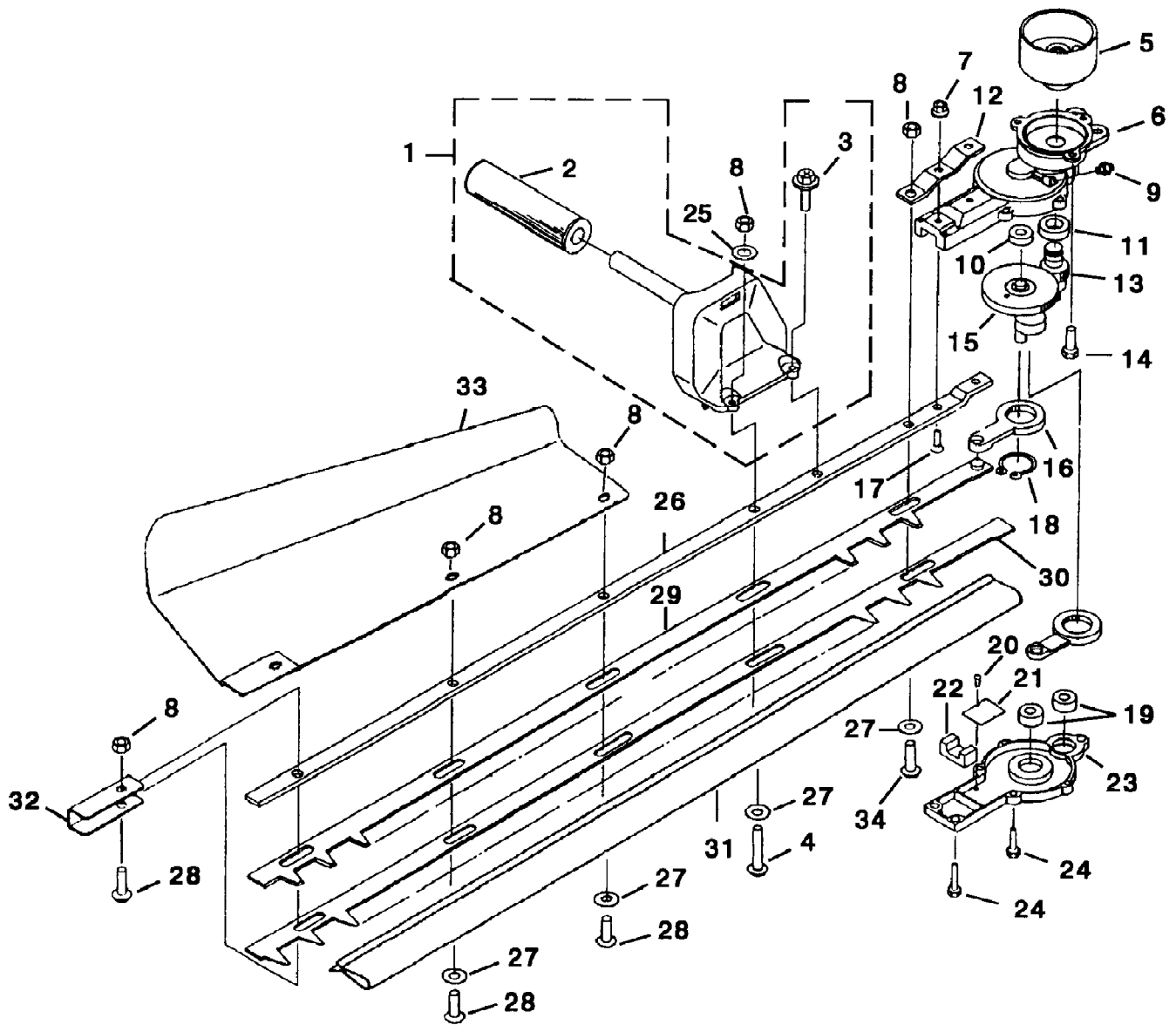
Ref #	Part Number	Qty	S/P/F	Description
1	UP05429	1		CARBURETOR ASSEMBLY
2	PS00851	2		GASKET-Carburetor
3	PS00866	1		O-RING
5	PS00868	1		SWIVEL
6	PS00870	1		E-RING
7	PS03022	1		BRACKET-Cable
8	UP05431	1		AIR FILTER ASSEMBLY
9	UP02949	1		AIR FILTER
10	PS00874	2	/P	SCREW ASSEMBLY (M5 x 65) Torque Specs: 18-26 In/Lbs, 2.0 - 2.9 Nm
11	UP05433	1		FUEL TANK ASSEMBLY
12	UP05432	1	S	CAP-Fuel
13	PS00522	1	S	RETAINER-Fuel Cap
14	PS00520	1		FILTER-Fuel
15	PS00957	1	S	FUEL LINE ASSEMBLY
16	PS00958	1		BRACKET-Fuel Tank
17	PS00959	4		SCREW ASSEMBLY (MS x 16) Torque Specs: 18-26 In/Lbs, 2.0 - 2.9 Nm
18	PS00956	1		CLAMP-Hose
19	PS01430	1		CLAMP
20	PS00780	1		NUT-Cable Adj.
21	PS00543	1	/P	SCREW-Cable Adj.



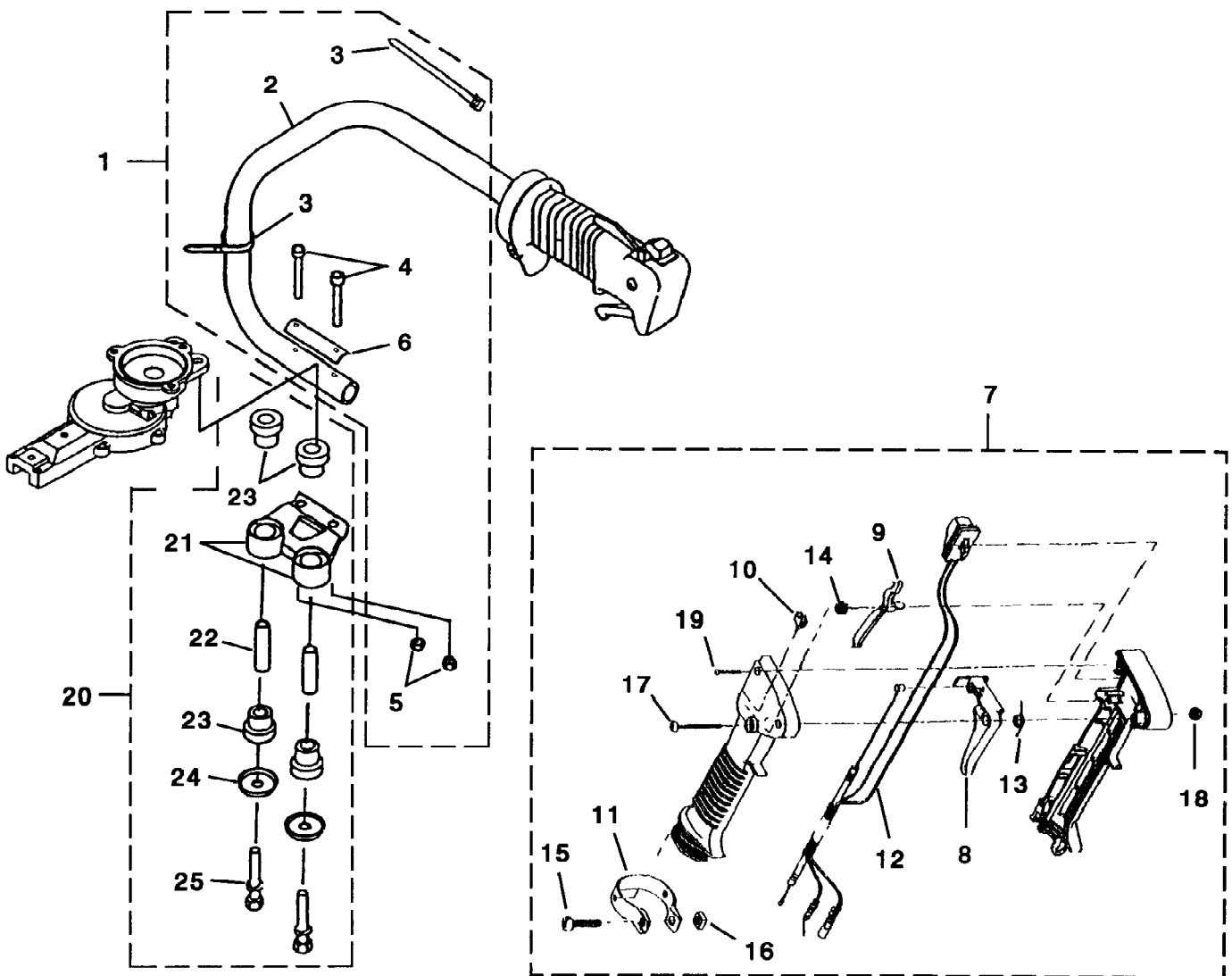
Ref #	Part Number	Qty	S/P/F	Description
1	UP00543	1		CYLINDER KIT
2	PS00574	1		GASKET-Cylinder
3	PS00838	1		GASKET-Heat Dam
4	PS00839	1		GASKET-Muffler
5	PS00840	2		SCREW-Socket Hd (M5 x 20W SW) Torque Specs: 62-78 In/Lbs, 7.0 - 8.8 Nm
6	UP00544	1		PISTON ASSEMBLY
7	PS00842	1		RING-Piston
8	PS00843	2		RETAINER-Wrist Pin
9	PS01366	1	S	BEARING-Wrist Pin
2	PS00574	1		GASKET-Cylinder
10	UP00545	1		HEAT DAM ASSEMBLY
3	PS00838	1		GASKET-Heat Dam
11	PS00851	1		GASKET-Carburetor
12	PS00852	1		SCREWS (M5 x 25 W SW) Torque Specs: 36-44 In/Lbs, 4.1 - 5.0 Nm
13	UP00541	1		CRANKCASE ASSEMBLY
14	PS00823	1		GASKET-Crankcase
15	PS00824	3		SCREW
16	PS00548	1		CYLINDER COVER ASSEMBLY
17	PS00862	1		SPACER-Cylinder Cover
18	PS00863	1		SCREW
19	PS00864	1		WASHER
20	PS00818	1		CRANKSHAFT & ROD
21	PS03365	1	S	WIRE (For GH30 Only)



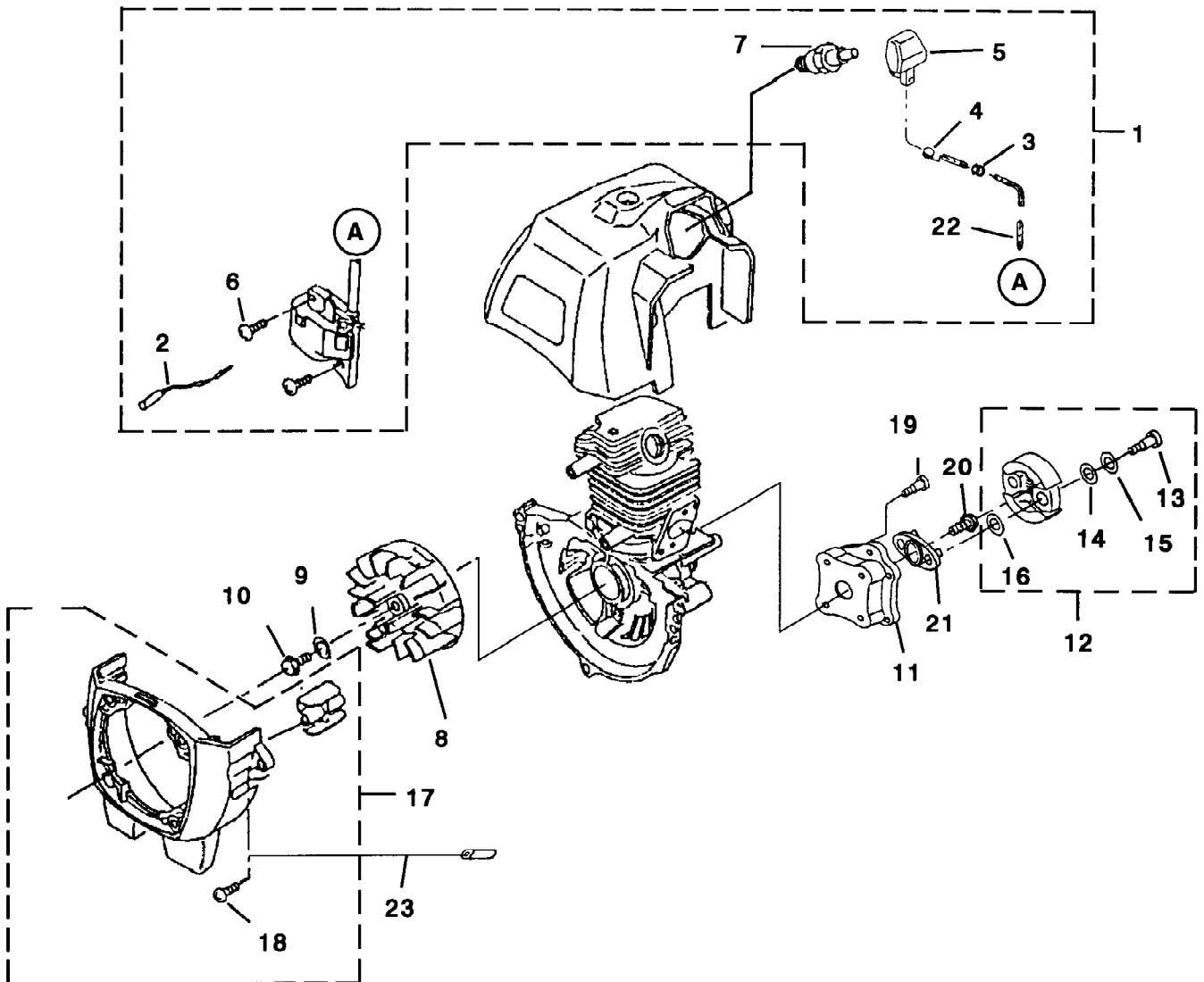
Ref #	Part Number	Qty	S/P/F	Description
1	UP00547	1		MUFFLER KIT
2	PS00858	1		GASKET-Muffler
3	PS00859	2		SCREW-Socket Hd (MS x 50) Torque Specs: 61-69 In/Lbs, 6.9 - 7.8 Nm
4	PS01367	1		SPARK ARRESTOR SCREEN
5	PS01368	1		GASKET-Muffler
6	PS00860	1		MUFFLER COVER
7	PS00861	1		SCREW ASSEMBLY (M5 x 16) Torque Specs: 31-39 In/Lbs, 3.5 - 4.4 Nm; Red 262 Loctite Required



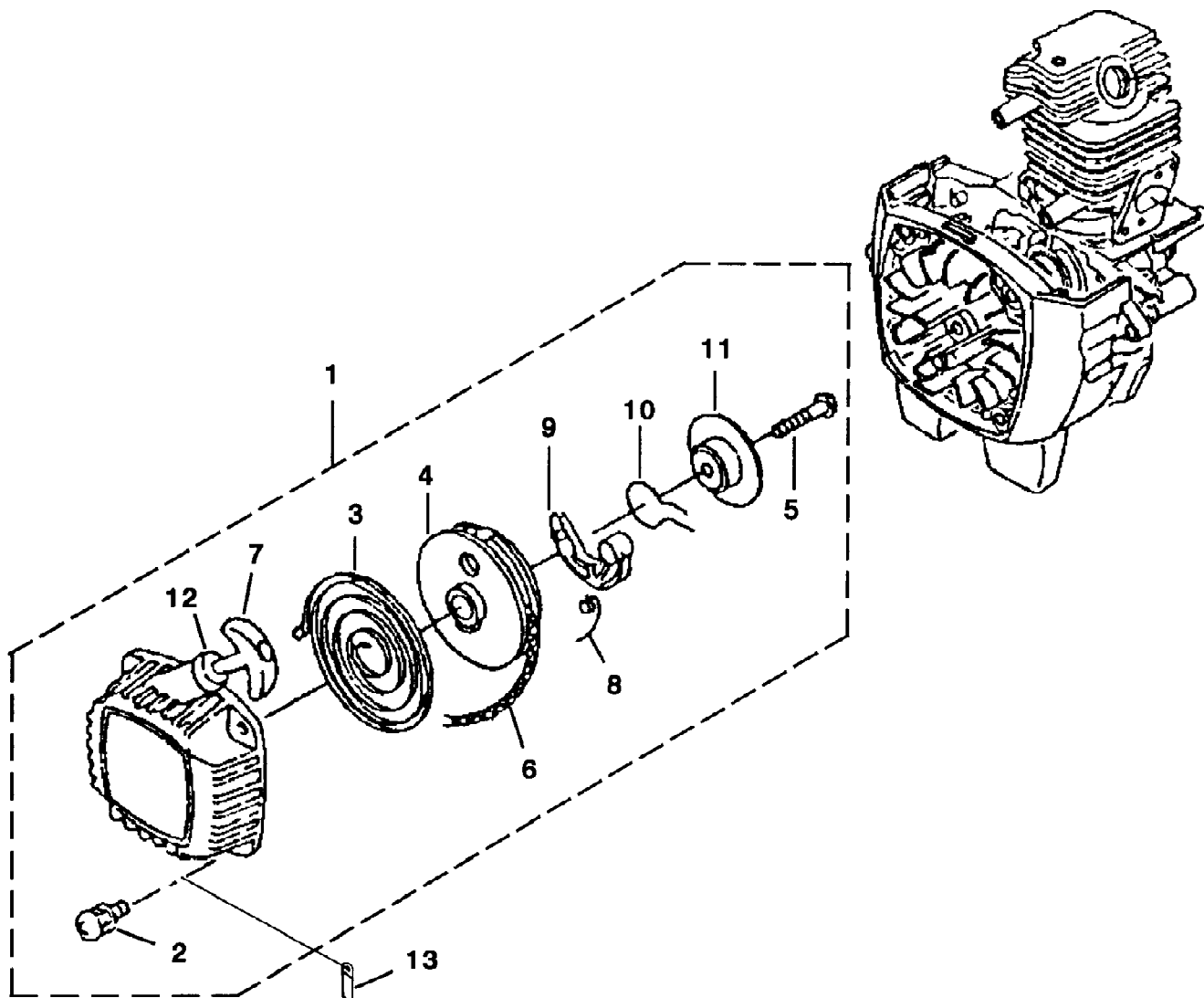
Ref #	Part Number	Qty	S/P/F	Description
1	UP00581	1		FRONT HANDLE ASSEMBLY
2	PS01013	1		GRIP
3	PS01014	1		SCREW (M5 x 20 SW & PW) Torque Specs: 36 - 44 In/Lbs, 4.1 - 5.0 Nm
4	PS01015	1		SCREW (L-29)
5	PS01016	1		DRUM-Clutch
6	PS01017	1		CASE-Upper
7	PS00895	2		NUT-Flange (MS)
8	PS00913	5		NUT (M6) Torque Specs: 62 - 78 In/Lbs, 7.0 - 8.8 Nm
9	PS00897	1		NIPPLE-Grease (M6)
10	PS00899	1		BEARING
11	PS01022	1		BEARING
12	PS01023	1		PLATE-Reinforcing
13	PS01024	1	/P	GEAR-Pinion
14	PS00896	3		BOLT (M6 x 15 W SW)
15	PS01026	1	/P	GEAR CRANK ASSEMBLY
16	PS00903	2		ROD
17	PS01028	2		SCREW (MS x 20) Torque Specs: 36 - 44 In/Lbs, 4.1 - 5.0 Nm
18	PS00904	1		SNAP RING
19	PS00899	2		BEARING
20	PS00907	2		SCREW (M3 x 5)
21	PS00908	1		PLATE-Rod Slide
22	PS00909	1		FELT
23	PS00910	1		LOWER CASE
24	PS00911	7		BOLT (M5 x 16 W SW) Torque Specs: 36 - 44 In/Lbs, 4.1 - 5.0 Nm
25	PS01037	1		WASHER
26	PS01038	1		GUIDE PLATE
27	PS00915	4		WASHER-Blade Side
28	PS01046	3		SCREW (L-22)
29	PS01041	1		BLADE-Upper
30	PS01042	1		BLADE-Lower
31	PS01043	1		BLADE COVER
32	PS01044	2		BLADE-End Reinforcer
33	PS01045	1		RECEIVER PLATE
34	PS01046	1		SCREW (L-22)



Ref #	Part Number	Qty	S/P/F	Description
1	UP00577	1		REAR HANDLE BAR
2	PS01000	1		HANDLE BAR-Left
3	PS01002	2		TIE STRAPS-Grip
4	PS01004	2		SCREW (M5 x 30) Torque Specs: 31 - 39 In/Lbs, 3.5 - 4.4 Nm
5	PS01005	2		NUT (M5)
6	PS01006	1		PLATE-Handle Mounting
7	UP05440	1		REAR HANDLE GRIP
8	PS03372	1		TRIGGER-Throttle
9	PS03373	1		LATCH-Throttle
10	PS03374	1		LOCK-Throttle Start
11	PS00463	1		CLAMP
12	PS03375	1		THROTTLE CABLE W/ Harness
13	PS00466	1		SPRING-Throttle Trigger
14	PS00467	1		SPRING-Throttle Latch
15	PS00468	1		SCREW
16	PS00469	1		NUT
17	PS01253	1		SCREW
18	PS01258	1		NUT
19	PS00470	1		SCREW-Self Tapping
20	UP00580	1		ANTI VIBE KIT
21	PS01007	1		BRACKET-Handle
22	PS01010	2		SPACER-Collar
23	PS01011	4		BUSHING-Anti Vibration
24	PS01003	2		WASHER
25	PS01012	2		SCREW (M6 x 35 W SW) Torque Specs: 31 - 39 In/Lbs, 3.5 - 4.4 Nm
4	PS01004	2		SCREW (M5 x 30)
5	PS01005	2		NUT (M5)



Ref #	Part Number	Qty	S/P/F	Description
1	UP00546	1		IGNITION KIT
2	PS00853	1		WIRE-Ground
3	PS00854	1		GROMMET
4	PS00499	1		SPRING-Plug Cap
5	PS00856	1		CAP-Plug
6	PS00857	2		SCREW (M4 x 20) Torque Specs: 62-78 In/Lbs, 7.0 - 8.8 Nm
7	PS03021	1		SPARK PLUG Torque Specs: 122-138 In/Lbs, 13.8 - 15.6 Nm
8	PS00815	1		ROTOR
9	PS00816	1		WASHER
10	PS00817	1		BOLT ASSEMBLY (M6 x 16) Torque Specs: 79-95 In/Lbs, 8.9 - 10.7 Nm
11	PS00819	1		ENGINE BASE
12	UP00542	1		CLUTCH ASSEMBLY
13	PS00826	2		BOLT-Clutch
14	PS00588	2		WASHER
15	PS00828	2		WASHER
16	PS00829	2		WASHER
17	UP00540	1		BLOWER HOUSING ASSEMBLY
18	PS00814	3		SCREW ASSEMBLY
19	PS00820	4		SCREW ASSEMBLY (M5 x W SW)
20	PS00822	1		BOLT ASSEMBLY (M5 x 16) Torque Specs: 36-44 In/Lbs, 4.1 - 5.0 Nm
21	PS00821	1		HOLDER-Clutch
19	PS00820	4		SCREW ASSEMBLY (M5 x W SW)
20	PS00822	1		BOLT ASSEMBLY (MS x 16)
21	PS00821	1		HOLDER-Clutch
22	PS03025	1		TUBE
23	PS03366	1		CLAMP (For GH30 Only)



Ref #	Part Number	Qty	S/P/F	Description
1	UP00539	1		STARTER COMPLETE
2	PS00802	4		SCREW ASSEMBLY (M5 x 14) Torque Specs: 13 - 17 In/Lbs, 1.5 - 1.9 Nm
3	PS00803	1		SPRING
4	PS00804	1		PULLEY
5	PS00805	1		SCREW-Set Torque Specs: 18 - 26 In/Lbs, 2.0 - 2.9 Nm
6	PS00475	1		ROPE-Starter
7	PS00568	1	/P	GRIP
8	PS00808	1		SPRING-Return
9	PS00809	1		RATCHET
10	PS00810	1		SPRING-Friction
11	PS00811	1		PLATE-Friction
12	PS00812	1		DAMPER-Grip
13	PS01430	1		CLAMP (For GH24 Only)