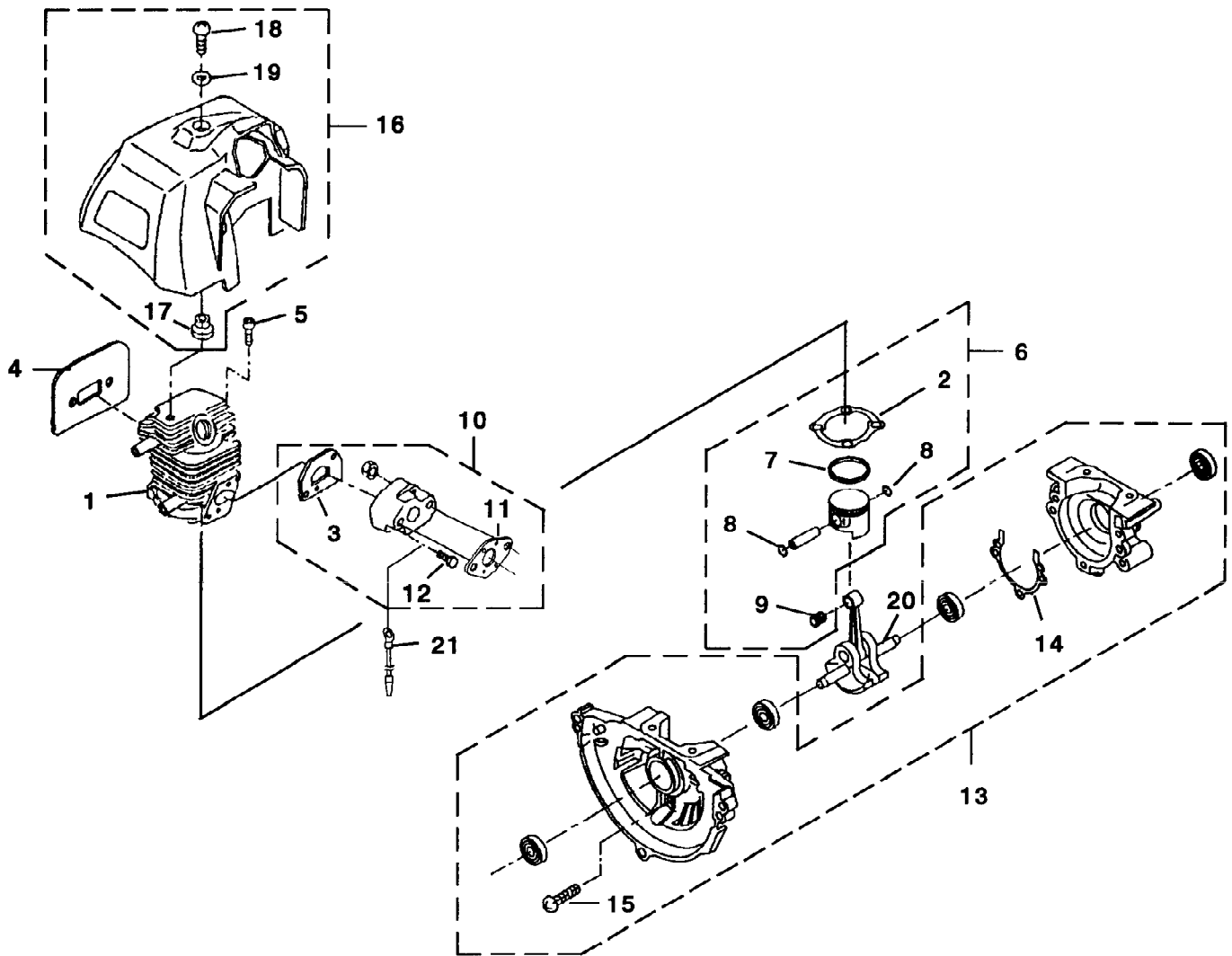
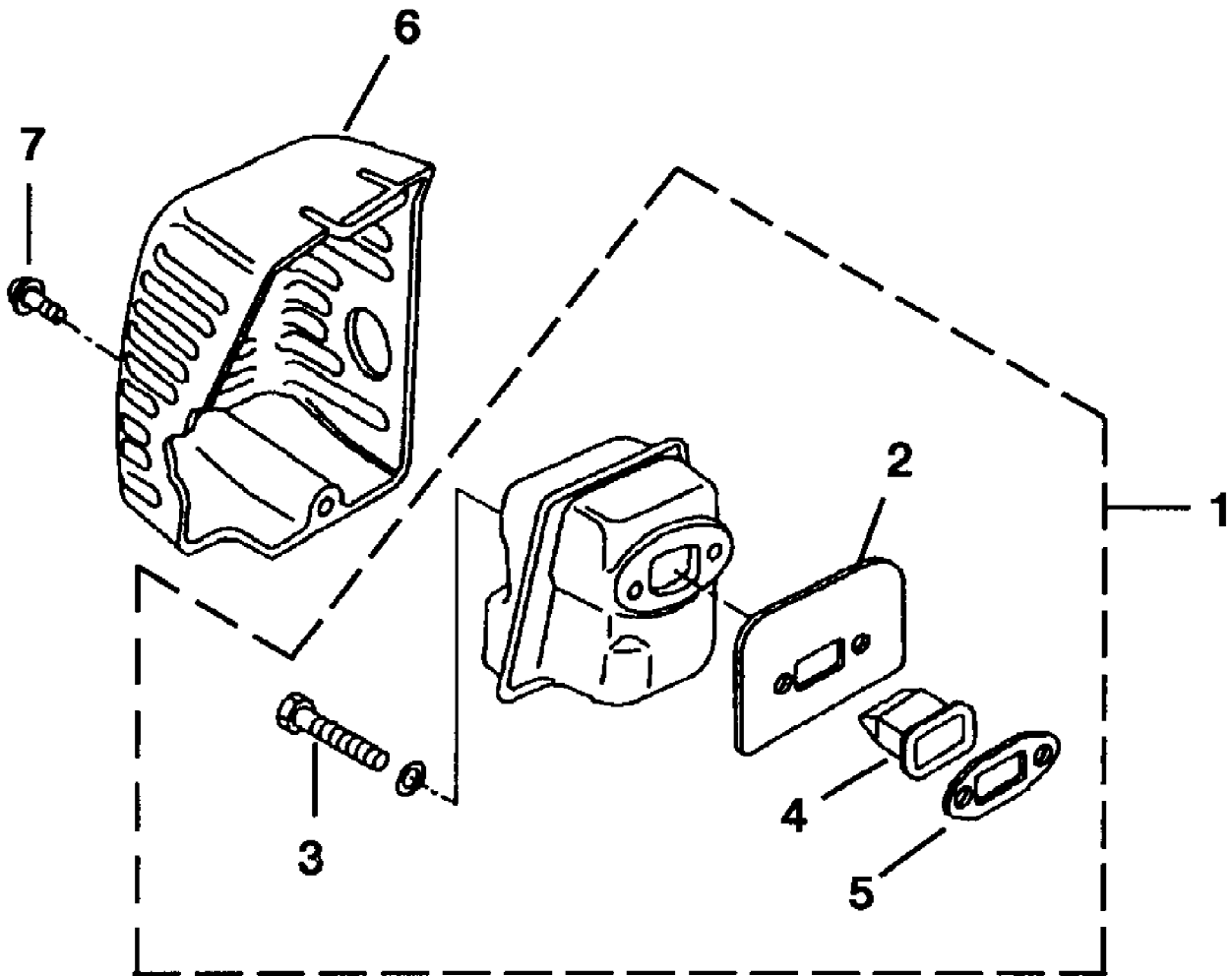


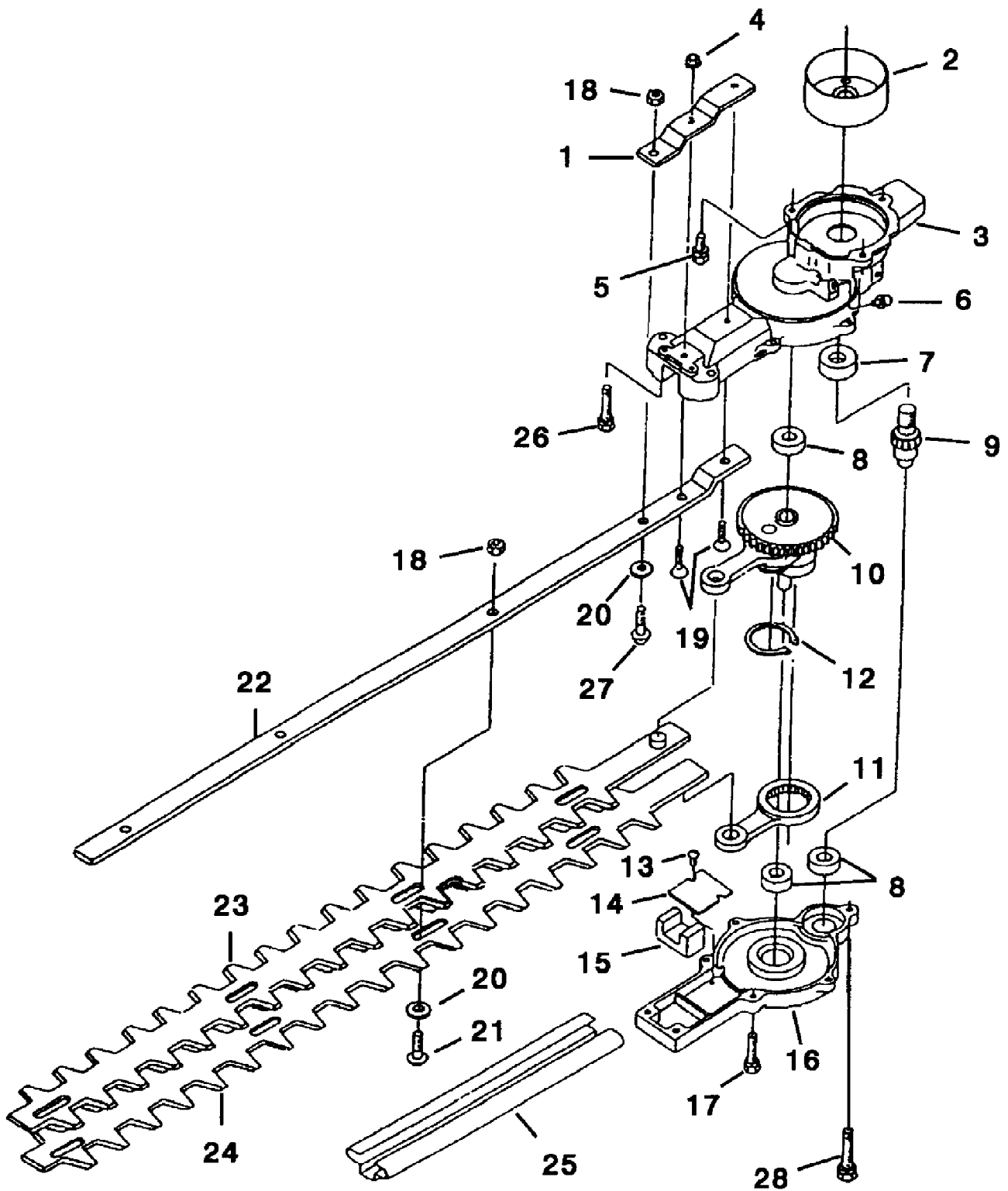
Ref #	Part Number	Qty	S/P/F	Description
1	UP05429	1		CARBURETOR ASSEMBLY
2	PS00851	2		GASKET-Carburetor
3	PS00866	1		O-RING
5	PS00868	1		SWIVEL
6	PS00870	1		E-RING
7	PS03022	1		BRACKET-Cable
8	UP05431	1		AIR FILTER ASSEMBLY
9	UP02949	1		AIR FILTER
10	PS00874	2	/P	SCREW ASSEMBLY (M5 x 65) Torque Specs: 18-26 In/Lbs, 2.0 - 2.9 Nm
11	UP05433	1		FUEL TANK ASSEMBLY
12	UP05432	1	S	CAP-Fuel
13	PS00522	1	S	RETAINER-Fuel Cap
14	PS00520	1		FILTER-Fuel
15	PS00957	1	S	FUEL LINE ASSEMBLY
16	PS00958	1		BRACKET-Fuel Tank
17	PS00959	4		SCREW ASSEMBLY (MS x 16) Torque Specs: 18-26 In/Lbs, 2.0 - 2.9 Nm
18	PS00956	1		CLAMP-Hose
19	PS01430	1		CLAMP
20	PS00780	1		NUT-Cable Adj.
21	PS00543	1	/P	SCREW-Cable Adj.



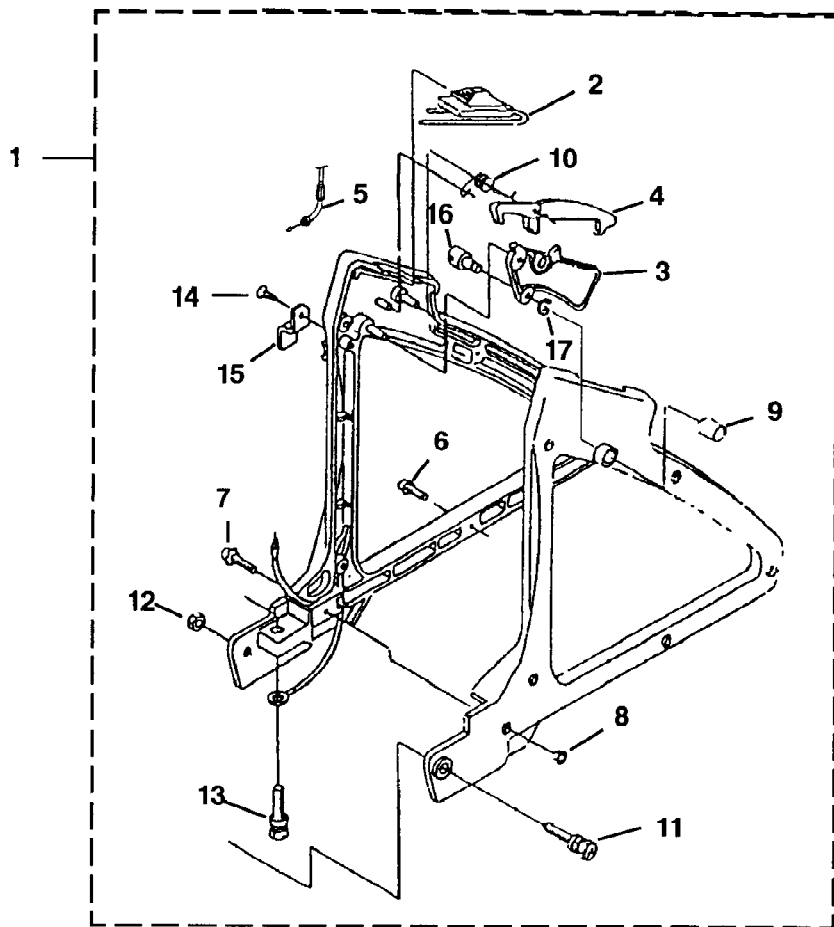
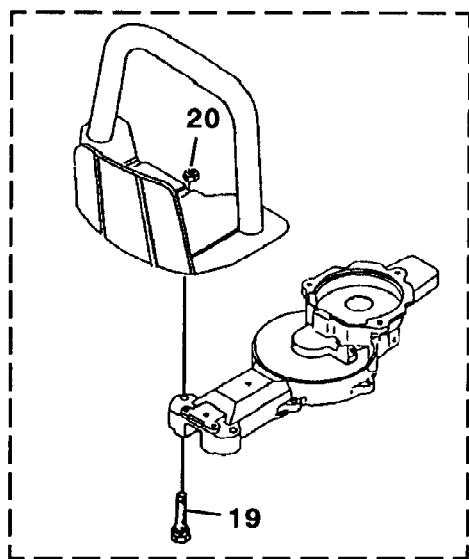
Ref #	Part Number	Qty	S/P/F	Description
1	UP00543	1		CYLINDER KIT
2	PS00574	1		GASKET-Cylinder
3	PS00838	1		GASKET-Heat Dam
4	PS00839	1		GASKET-Muffler
5	PS00840	2		SCREW-Socket Hd (M5 x 20W SW) Torque Specs: 62-78 In/Lbs, 7.0 - 8.8 Nm
6	UP00544	1		PISTON ASSEMBLY
7	PS00842	1		RING-Piston
8	PS00843	2		RETAINER-Wrist Pin
9	PS01366	1	S	BEARING-Wrist Pin
2	PS00574	1		GASKET-Cylinder
10	UP00545	1		HEAT DAM ASSEMBLY
3	PS00838	1		GASKET-Heat Dam
11	PS00851	1		GASKET-Carburetor
12	PS00852	1		SCREWS (M5 x 25 W SW) Torque Specs: 36-44 In/Lbs, 4.1 - 5.0 Nm
13	UP00541	1		CRANKCASE ASSEMBLY
14	PS00823	1		GASKET-Crankcase
15	PS00824	3		SCREW
16	PS00548	1		CYLINDER COVER ASSEMBLY
17	PS00862	1		SPACER-Cylinder Cover
18	PS00863	1		SCREW
19	PS00864	1		WASHER
20	PS00818	1		CRANKSHAFT & ROD
21	PS03365	1	S	WIRE (For GH30 Only)



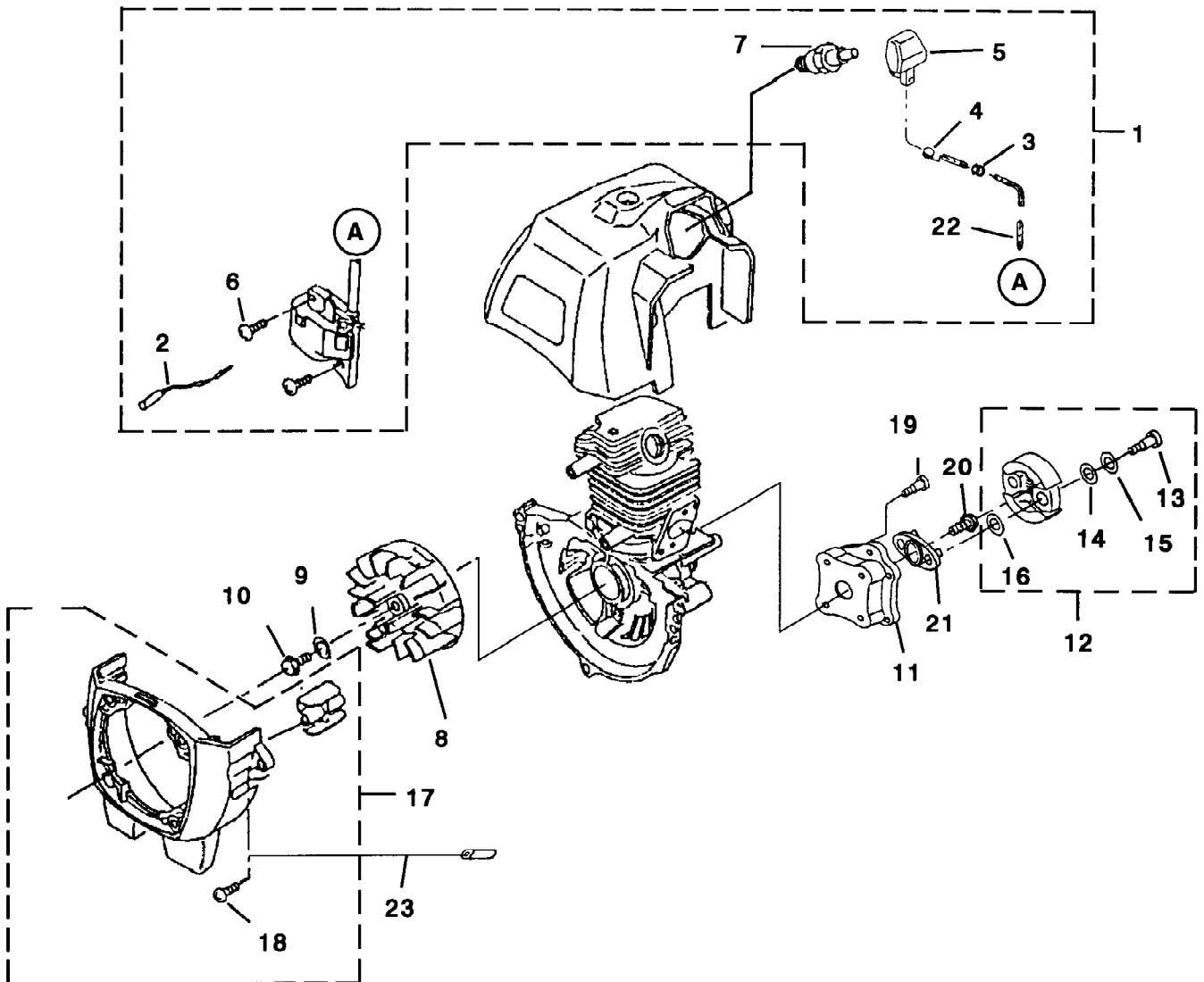
Ref #	Part Number	Qty	S/P/F	Description
1	UP00547	1		MUFFLER KIT
2	PS00858	1		GASKET-Muffler
3	PS00859	2		SCREW-Socket Hd (MS x 50) Torque Specs: 61-69 In/Lbs, 6.9 - 7.8 Nm
4	PS01367	1		SPARK ARRESTOR SCREEN
5	PS01368	1		GASKET-Muffler
6	PS00860	1		MUFFLER COVER
7	PS00861	1		SCREW ASSEMBLY (M5 x 16) Torque Specs: 31-39 In/Lbs, 3.5 - 4.4 Nm; Red 262 Loctite Required



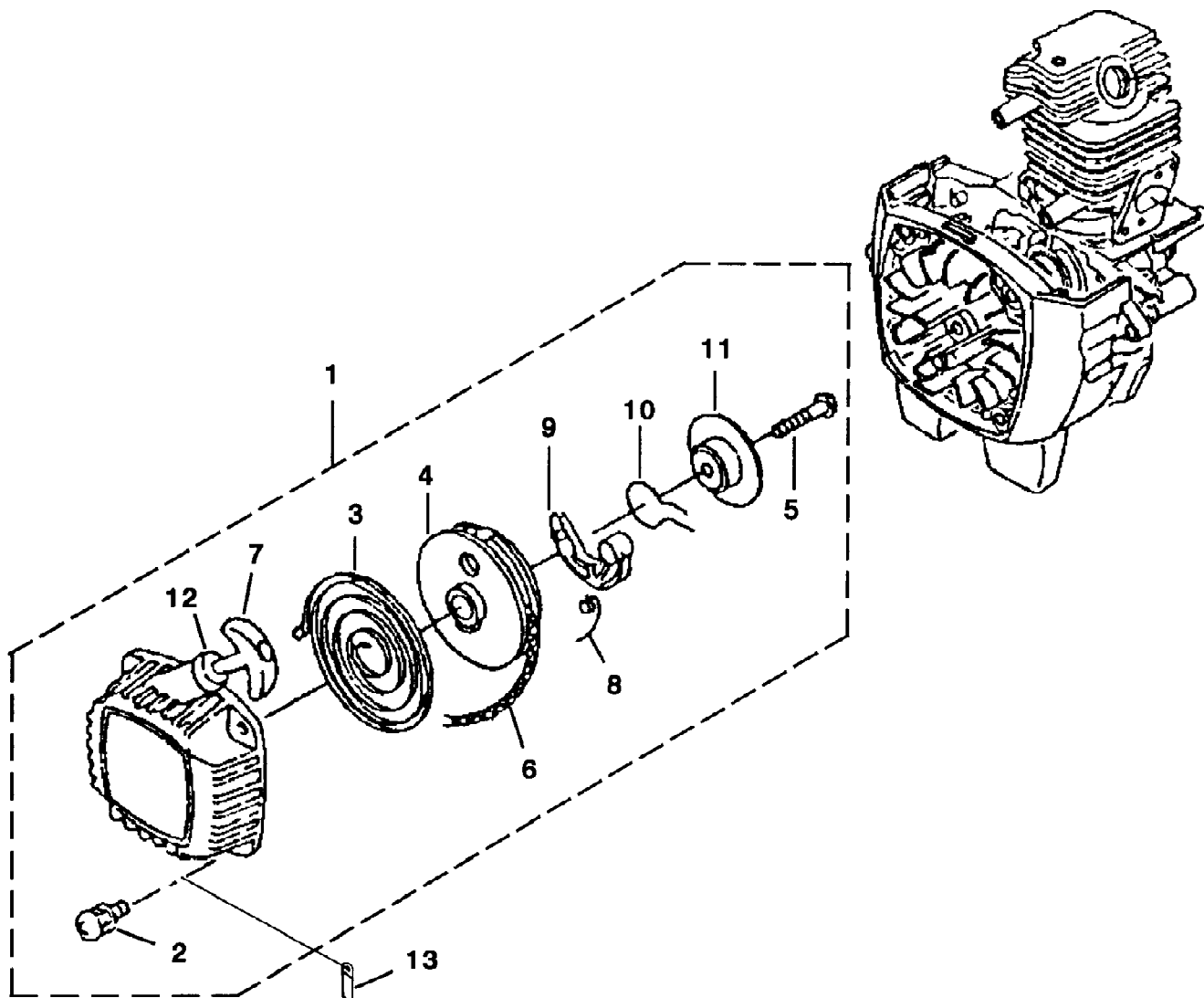
Ref #	Part Number	Qty	S/P/F	Description
1	PS01023	1		REINFORCING PLATE
2	PS01016	1		DRUM-Clutch
3	PS01017	1		CASE-Upper
4	PS00895	2		FLANGE NUT (M5) Torque Specs: 33 - 37 In/Lbs, 3.7 - 4.2 Nm
5	PS00896	2		BOLT (M6 x 15 W SW) Torque Specs: 40 - 48 In/Lbs, 4.5 - 5.4 Nm
6	PS00897	1		NIPPLE-Grease (M6) Torque Specs: 26 - 34 In/Lbs, 2.9 - 3.8 Nm
7	PS01022	1		BEARING
8	PS00899	3		BEARING
9	PS00901	1	S	GEAR-Pinion
10	PS00902	1	S	GEAR-Crank
11	PS00903	2		ROD
12	PS00904	1		SNAP RING
13	PS00907	2		SCREW (M3 x 5) Torque Specs: 11 - 15 In/Lbs, 1.2 - 1.7 Nm
14	PS00908	1		PLATE-Rod Slide
15	PS00909	1		FELT
16	PS00910	1		CASE-Lower
17	PS00911	5		BOLT (M5 x 16 W SW) Torque Specs: 36 - 44 In/Lbs, 4.1 - 5.0 Nm
18	PS00913	4		U-NUT (M6) Torque Specs: 62 - 78 In/Lbs, 7.0 - 8.8 Nm
19	PS00916	2		SCREW (M5 x 20) Torque Specs: 36 - 44 In/Lbs, 4.1 - 5.0 Nm
20	PS00915	4		WASHER-Blade Side
21	PS00898	3		SCREW (L-19)
22	PS00917	1		GUIDE PLATE
23	PS00918	1		BLADE-Upper
24	PS00919	1		BLADE-Lower
25	PS00920	1		COVER-Blade
26	PS00891	2		SCREW (M6 x 35 W SW & PW) Torque Specs: 39 - 47 In/Lbs, 4.4 - 5.3 Nm
27	PS01046	1		SCREW (L-22)
28	PS00888	1		SCREW (M6 X 40 W SW & PW) Torque Specs: 39 - 47 In/Lbs, 4.4 - 5.3 Nm



Ref #	Part Number	Qty	S/P/F	Description
1	UP05435	1		REAR HANDLE COMPLETE
2	PS00875	1		SWITCH ASSEMBLY
3	PS00876	1		TRIGGER-Throttle
4	PS00877	1		LATCH-Throttle
5	PS03370	1		CABLE - Throttle
6	PS00879	5		SCREW (M4 x 16 W SW) Torque Specs: 7 - 11 In/Lbs, .8 - 1.2 Nm
7	PS00880	1		SCREW (M4 x 30 W SW) Torque Specs: 7 - 11 In/Lbs, .8 - 1.2 Nm
8	PS00881	6		NUT (M4)
9	PS03371	1		BUSHING
10	PS00885	1		SPRING
11	PS00886	1		SCREW (M6 x 50 W SW & PW) Torque Specs: 39 - 47 In/Lbs, 4.4 - 5.3 Nm
12	PS00887	1		NUT (M6)
13	PS00888	1		SCREW (M6 x 40 W SW & PW) Torque Specs: 39 - 47 In/Lbs, 4.4 - 5.3 Nm
14	PS00889	1		SCREW (M4 x 10) Torque Specs: 7 - 11 In/Lbs, .8 - 1.2 Nm
15	PS00890	1		HOLDER-Cable
16	PS00894	1		CABLE-Swivel
17	PS00893	1		SNAP RING
18	UP00552	1		FRONT HANDLE ASSEMBLY
19	PS00891	2		SCREW (M6 x 35 W SW & PW) Torque Specs: 39 - 47 In/Lbs, 4.4 - 5.3 Nm
20	PS00887	2		NUT (M6)



Ref #	Part Number	Qty	S/P/F	Description
1	UP00546	1		IGNITION KIT
2	PS00853	1		WIRE-Ground
3	PS00854	1		GROMMET
4	PS00499	1		SPRING-Plug Cap
5	PS00856	1		CAP-Plug
6	PS00857	2		SCREW (M4 x 20) Torque Specs: 62-78 In/Lbs, 7.0 - 8.8 Nm
7	PS03021	1		SPARK PLUG Torque Specs: 122-138 In/Lbs, 13.8 - 15.6 Nm
8	PS00815	1		ROTOR
9	PS00816	1		WASHER
10	PS00817	1		BOLT ASSEMBLY (M6 x 16) Torque Specs: 79-95 In/Lbs, 8.9 - 10.7 Nm
11	PS00819	1		ENGINE BASE
12	UP00542	1		CLUTCH ASSEMBLY
13	PS00826	2		BOLT-Clutch
14	PS00588	2		WASHER
15	PS00828	2		WASHER
16	PS00829	2		WASHER
17	UP00540	1		BLOWER HOUSING ASSEMBLY
18	PS00814	3		SCREW ASSEMBLY
19	PS00820	4		SCREW ASSEMBLY (M5 x W SW)
20	PS00822	1		BOLT ASSEMBLY (M5 x 16) Torque Specs: 36-44 In/Lbs, 4.1 - 5.0 Nm
21	PS00821	1		HOLDER-Clutch
19	PS00820	4		SCREW ASSEMBLY (M5 x W SW)
20	PS00822	1		BOLT ASSEMBLY (MS x 16)
21	PS00821	1		HOLDER-Clutch
22	PS03025	1		TUBE
23	PS03366	1		CLAMP (For GH30 Only)



Ref #	Part Number	Qty	S/P/F	Description
1	UP00539	1		STARTER COMPLETE
2	PS00802	4		SCREW ASSEMBLY (M5 x 14) Torque Specs: 13 - 17 In/Lbs, 1.5 - 1.9 Nm
3	PS00803	1		SPRING
4	PS00804	1		PULLEY
5	PS00805	1		SCREW-Set Torque Specs: 18 - 26 In/Lbs, 2.0 - 2.9 Nm
6	PS00475	1		ROPE-Starter
7	PS00568	1	/P	GRIP
8	PS00808	1		SPRING-Return
9	PS00809	1		RATCHET
10	PS00810	1		SPRING-Friction
11	PS00811	1		PLATE-Friction
12	PS00812	1		DAMPER-Grip
13	PS01430	1		CLAMP (For GH24 Only)