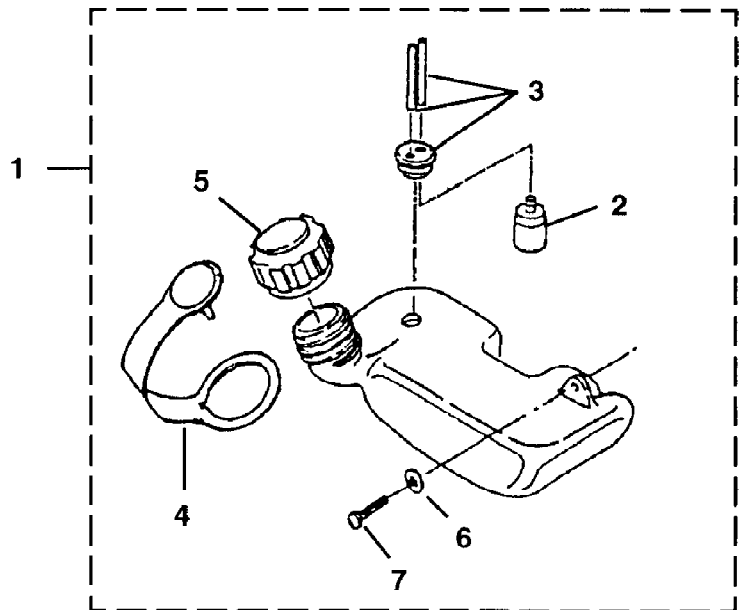
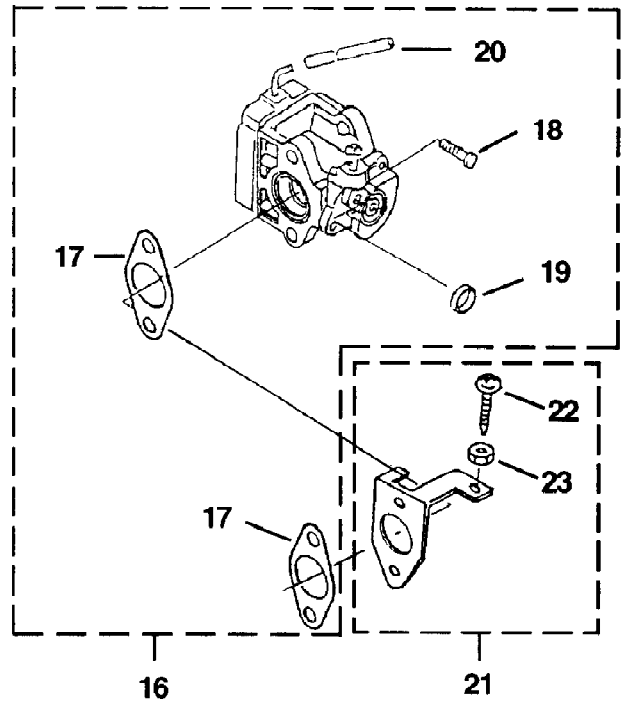
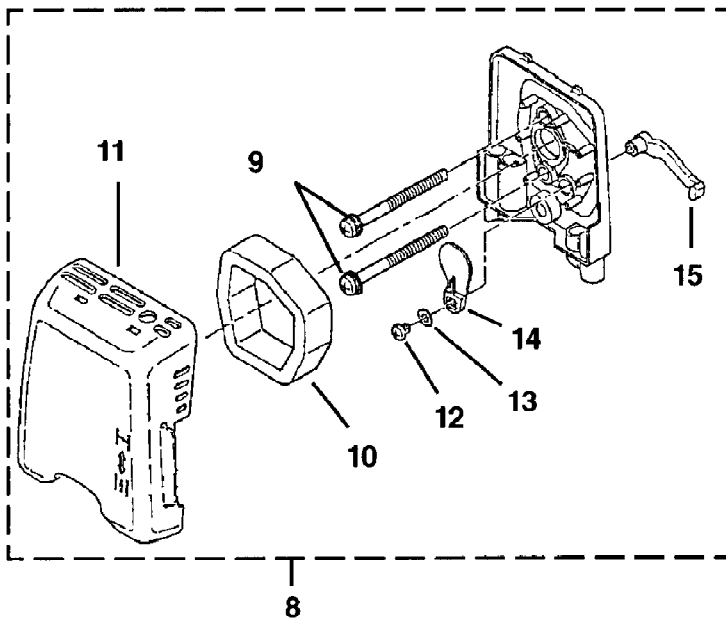
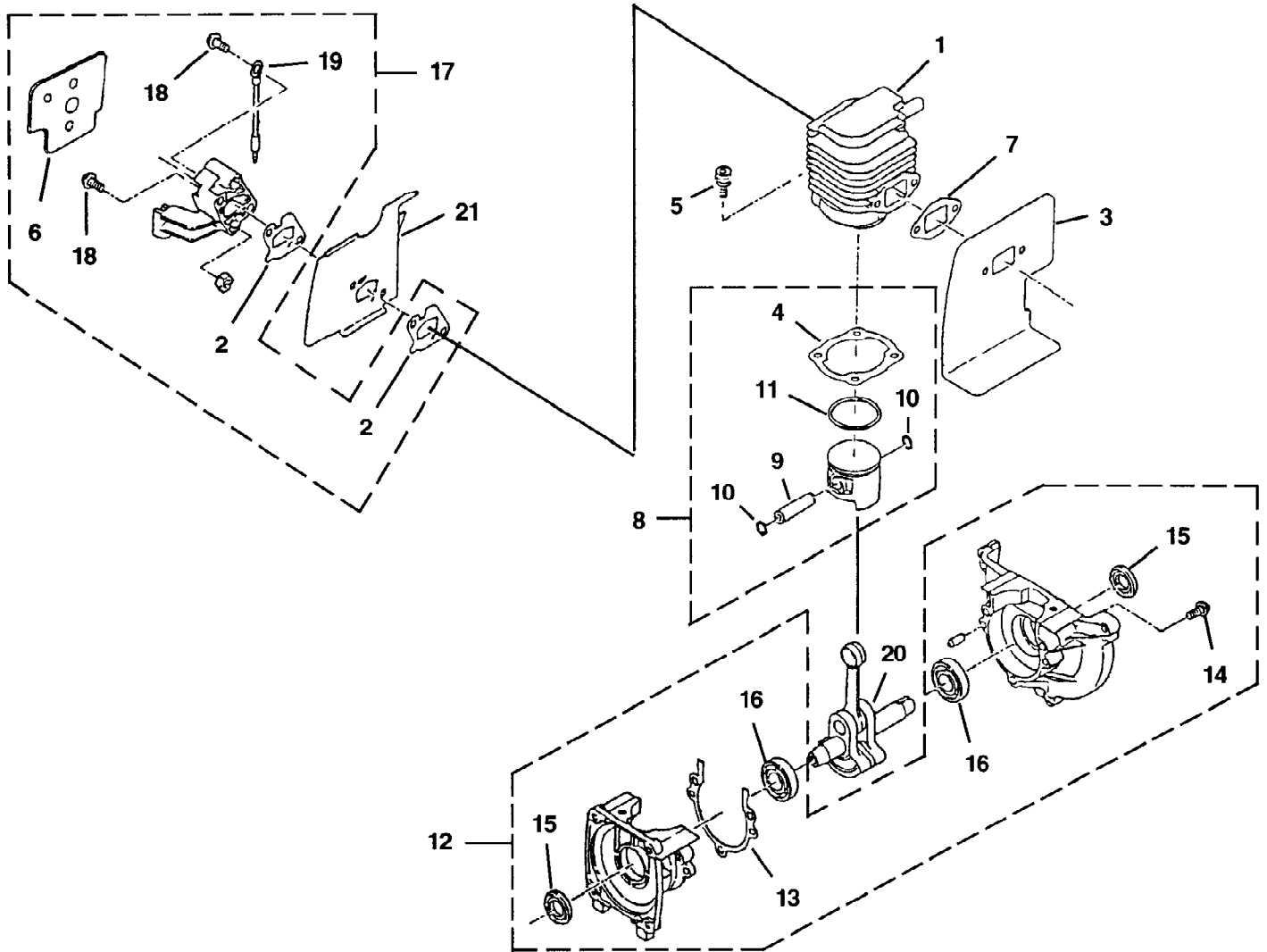


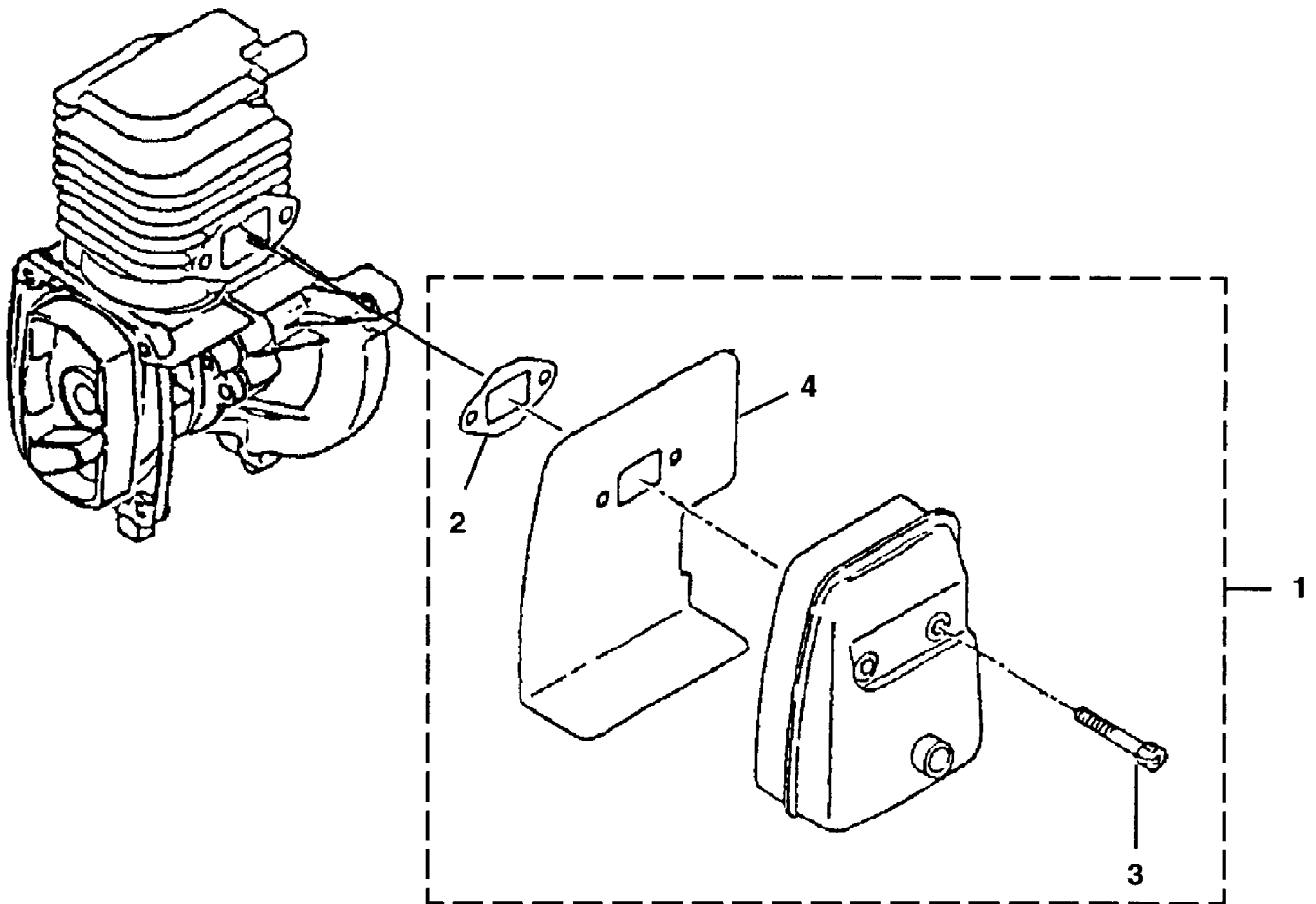
Ref #	Part Number	Qty	S/P/F	Description
1	PS00937	1		TOOL KIT
2	UP02953	1		VACUUM CONVERSION KIT
?3	UP03081	1		DECAL KIT (Not Shown)



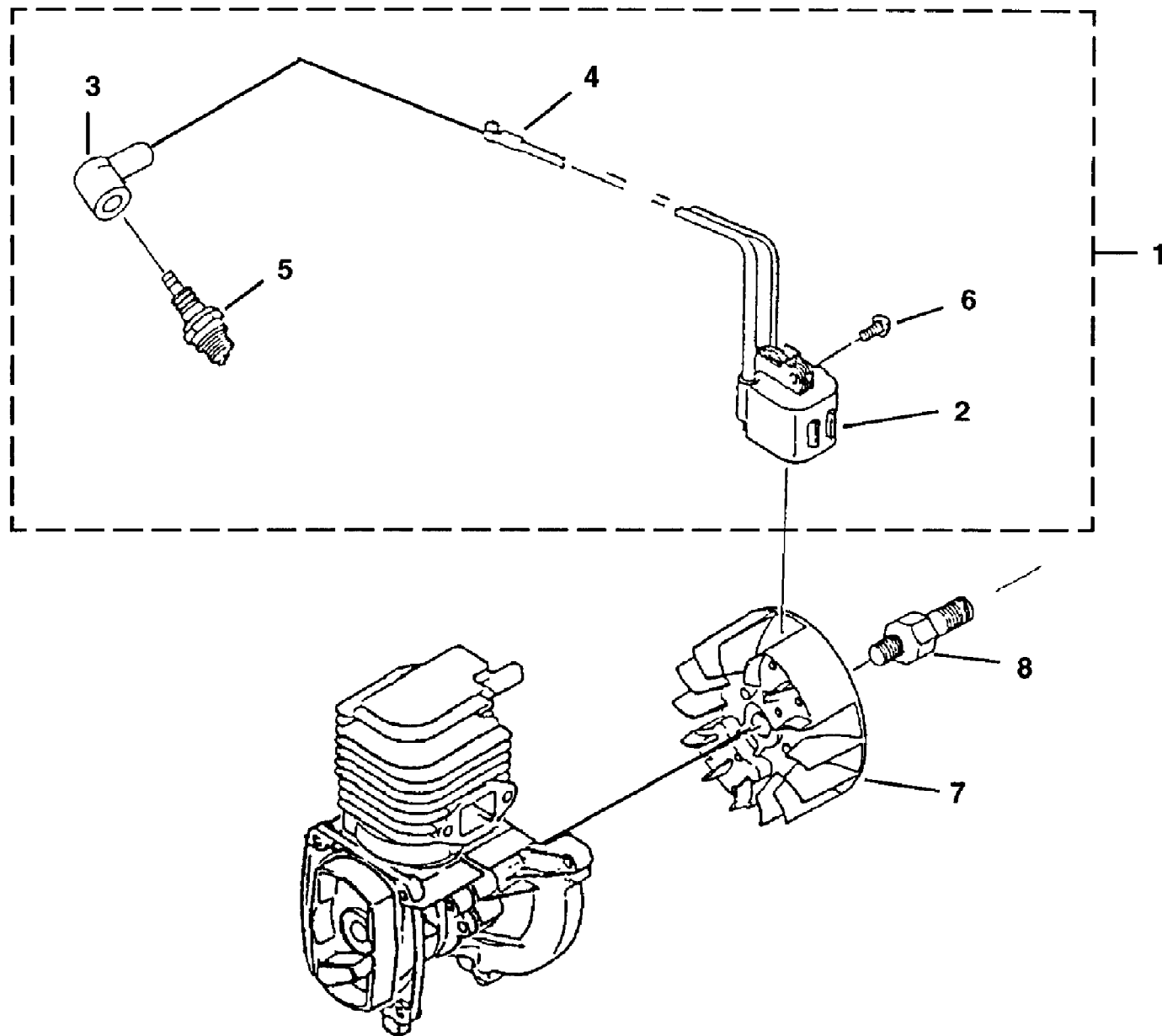
Ref #	Part Number	Qty	S/P/F	Description
1	PS00502	1		FUEL TANK ASSEMBLY
2	PS00520	1		FILTER-Fuel
3	PS00643	1		TUBE
4	PS00522	1	S	CAP-Retainer
5	UP02946	1	/P	CAP-Fuel
6	PS00644	2		WASHER (M5)
7	PS00641	2		SCREW-Tapping (M5 x 20) (Torque Specs 12 - 19 In/Lbs, 1.4 - 2.1 Nm)
8	UP00515	1		AIR FILTER ASSEMBLY
9	PS00703	2		SCREW (M5 x 62) (Torque Specs 17 - 27 In/Lbs, 1.9 - 3.1 Nm)
10	UP02947	1	/P	FILTER-Air
11	PS00705	1		COVER-Air Filter
12	PS03092	1	S	SCREW, Tapping (M4 x 8)
13	PS01363	1	/P	WASHER
14	PS01362	1	/P	CHOKE PLATE
15	PS01361	1		CHOKE LEVER
16	PS00514	1		CARBURETOR ASSEMBLY
17	PS00699	2		GASKET-Carburetor
18	PS00700	2		SCREW-Collar Throttle
19	PS00871	1		HOLDER-Throttle Cable
20	PS00702	1		LINE-Fuel
21	UP00513	1		CABLE BRACKET ASSEMBLY
22	PS00696	1		SCREW-Cone Point (Torque Specs 9 - 13 In/Lbs, 1.0 - 1.5 Nm)
23	PS00698	1		NUT-Cable Adjust
24	PS00650	1	S	PRIMER BULB



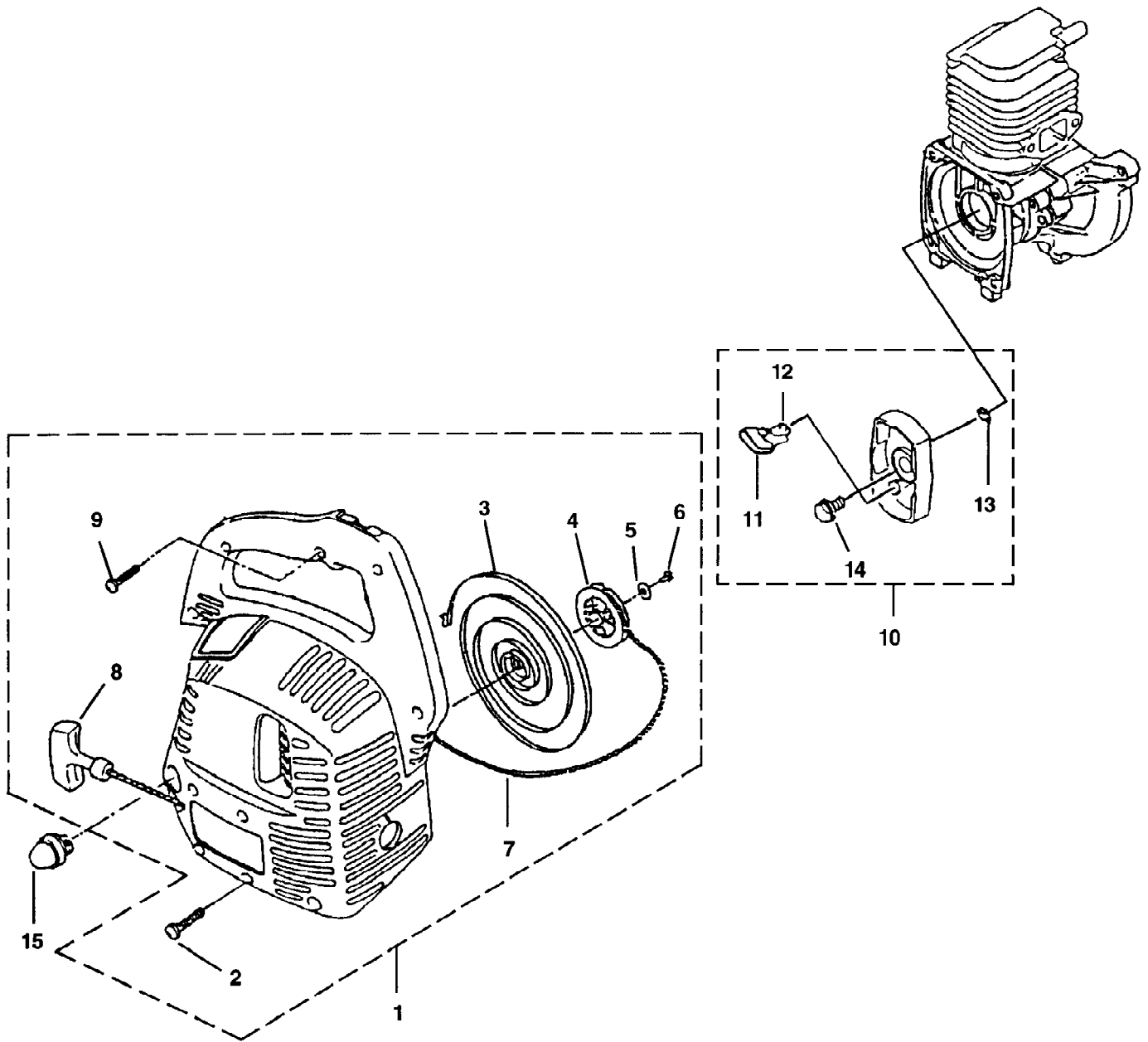
Ref #	Part Number	Qty	S/P/F	Description
1	UP00507	1		CYLINDER ASSEMBLY
2	PS00581	2		GASKET-Heat Dam
3	PS00695	1		INSULATOR-Muffler
4	PS00574	1		GASKET-Cylinder
5	PS00840	2		SCREW-Socket HD (MS x 20 W SW) (Torque Specs 53 - 69 In/Lbs, 6.0 - 7.8 Nm)
6	PS00673	1		INSULATOR-Gasket
7	PS00674	1		GASKET-Muffler
8	UP00508	1		PISTON ASSEMBLY
9	PS00675	1		PIN-Piston
10	PS00843	2		RING-Retaining
11	PS00677	1		RING-Piston
4	PS00574	1		GASKET-Cylinder
12	UP00472	1		CRANKCASE ASSEMBLY
13	PS00823	1		GASKET-Crankcase
14	PS00824	3		SCREW (M5 x 25) (Torque Specs 35 - 45 In/Lbs, 4.0 - 5.1 Nm)
15	PS03095	2		OIL SEAL
16	PS03376	2		BALL BEARING
17	UP00510	1		HEAT DAM ASSEMBLY
2	PS00581	2		GASKET-Heat Dam
6	PS00673	1		INSULATOR-Carburetor
18	PS00852	2		SCREW-Socket Hd (M5 x 25) (Torque Specs 35 - 45 In/Lbs, 4.0 - 5.1 Nm. Loctite Required Red 262)
19	PS00608	1		WIRE-Ground
20	PS00680	1		CRANKSHAFT COMPLETE
21	PS00685	1		INSULATOR - Carburetor



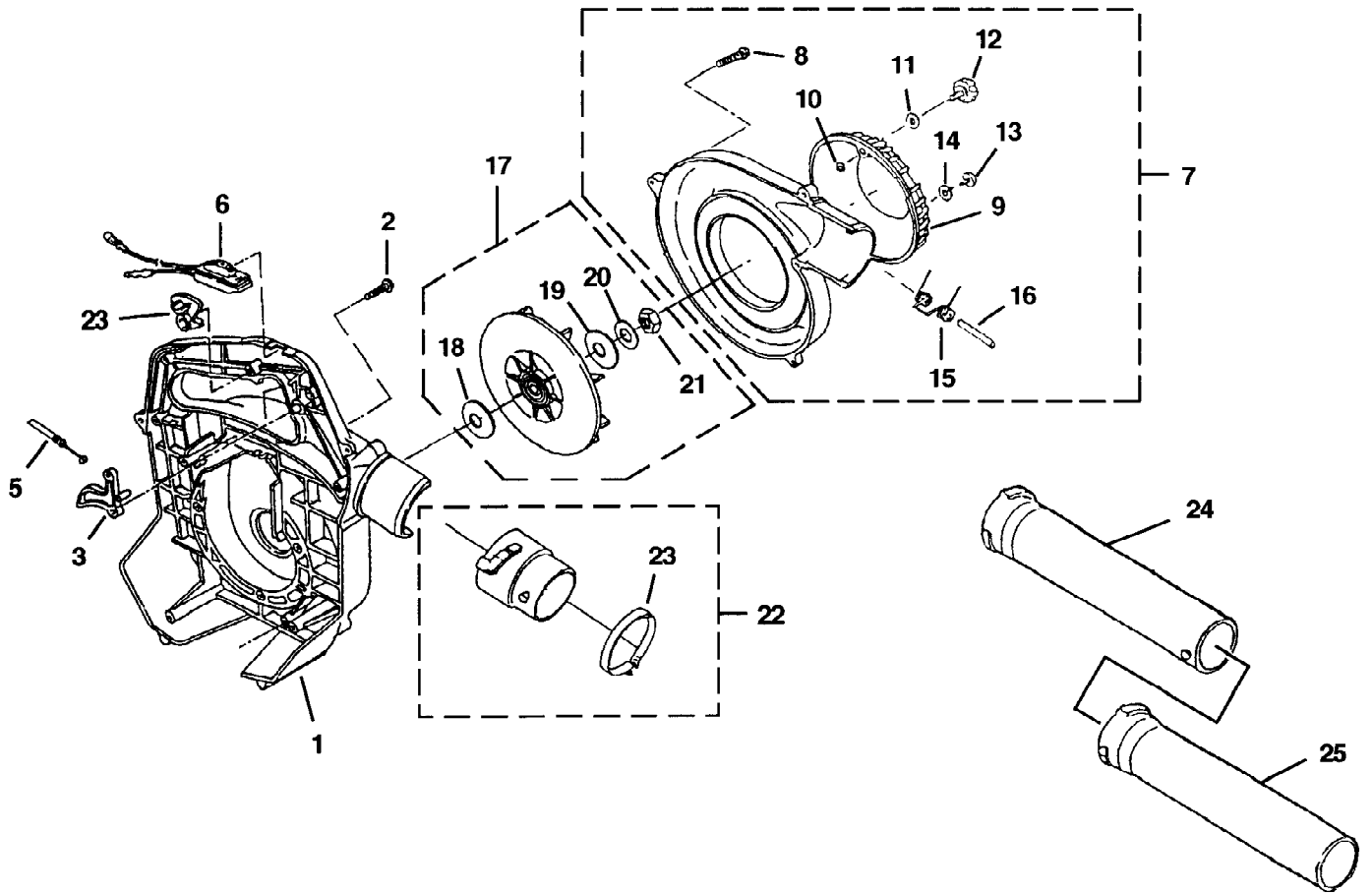
Ref #	Part Number	Qty	S/P/F	Description
1	UP00512	1		MUFFLER ASSEMBLY
2	PS00674	1		GASKET-Muffler
3	PS00694	2		SCREW-Socket Hd (M5 x 55) (Torque Specs 60 - 70 In/Lbs, 6.8 - 7.9 Nm. Red 262 Loctite Required)
4	PS00695	1		INSULATOR-Muffler



Ref #	Part Number	Qty	S/P/F	Description
1	UP05451	1		IGNITION KIT
2	PS00688	1		MODULE-Ignition
3	PS00689	1		CAP-Plug
4	PS00499	1		SPRING-Plug Cap
5	PS03021	1		SPARK PLUG (Torque Specs 105 - 155 In/Lbs, 11.9 - 17.5 Nm)
6	PS00857	2		SCREW ASSEMBLY (M4 x 20) (Torque Specs 17 - 27 In/Lbs, 1.9 - 3.1 Nm)
7	PS00692	1		ROTOR
8	PS00687	1		SHAFT-Fan (Torque Specs 88 - 104 In/Lbs, 9.9 - 11.8 Nm)



Ref #	Part Number	Qty	S/P/F	Description
1	UP00501	1		STARTER COMPLETE
2	PS00820	4		SCREW-Socket Hd (M5 x 18 W SW)
3	PS00628	1		SPRING
4	PS00629	1		PULLEY
5	PS00636	1		WASHER
6	PS00637	1		SCREW (M6 x 14) (Torque Specs 57 - 83 In/Lbs, 6.4 - 9.4 Nm)
7	PS00638	1		ROPE-Starter
8	PS00639	1		GRIP
9	PS00641	6		SCREW-Tapping (M5 x 20)
10	UP00469	1		STARTER CUP ASSEMBLY
11	PS00712	1		RATCHET
12	PS00478	1		SPRING-Return
13	PS00479	1		E-CLIP
14	PS00569	1		BOLT ASSEMBLY (M6 x 14) (Torque Specs 57 - 83 In/Lbs, 6.4 - 9.4 Nm)
15	PS00650	1	S	PRIMER BULB



Ref #	Part Number	Qty	S/P/F	Description
1	PS00645	1		VOLUTE (Inner)
2	PS00646	3		SCREW ASSEMBLY (M5 x 35 W SW) (Torque Specs 35 - 45 In/Lbs, 4.0 - 5.1 Nm)
3	PS00647	1		TRIGGER-Throttle
24	PS00648	1		LOCK- Throttle
5	PS00649	1		CABLE-Throttle
6	PS00651	1		SWITCH
7	UP00503	1		VOLUTE COMPLETE (Outer)
8	PS00641	5		SCREW-Tapping (M5 x 20) (Torque Specs 17 - 22 In/Lbs, 1.9 - 2.5 Nm)
9	PS00652	1		DOOR
10	PS00653	1		SNAP RING-Outer
11	PS00654	1		WASHER
12	PS00655	1		KNOB
13	PS00656	1		SCREW-Tapping (M5 x 14) (Torque Specs 17 - 22 In/Lbs, 1.9 - 2.5 Nm)
14	PS00657	1		WASHER (M5)
15	PS00658	1		SPRING
16	PS00660	1		SHAFT-Hinge
17	UP00505	1		FAN ASSEMBLY
18	PS00661	1		WASHER
19	PS00662	1		WASHER (M8)
20	PS00663	1		WASHER (M8)
21	PS00665	1		NUT (M8 x 6) (Torque Specs 78 - 94 In/Lbs, 8.8 - 10.6 Nm)
22	UP00506	1		TUBE ADAPTER & CLAMP
23	PS00668	1		CLAMP
24	PS00935	1		TUBE-Rear
25	PS00936	1		TUBE-Front