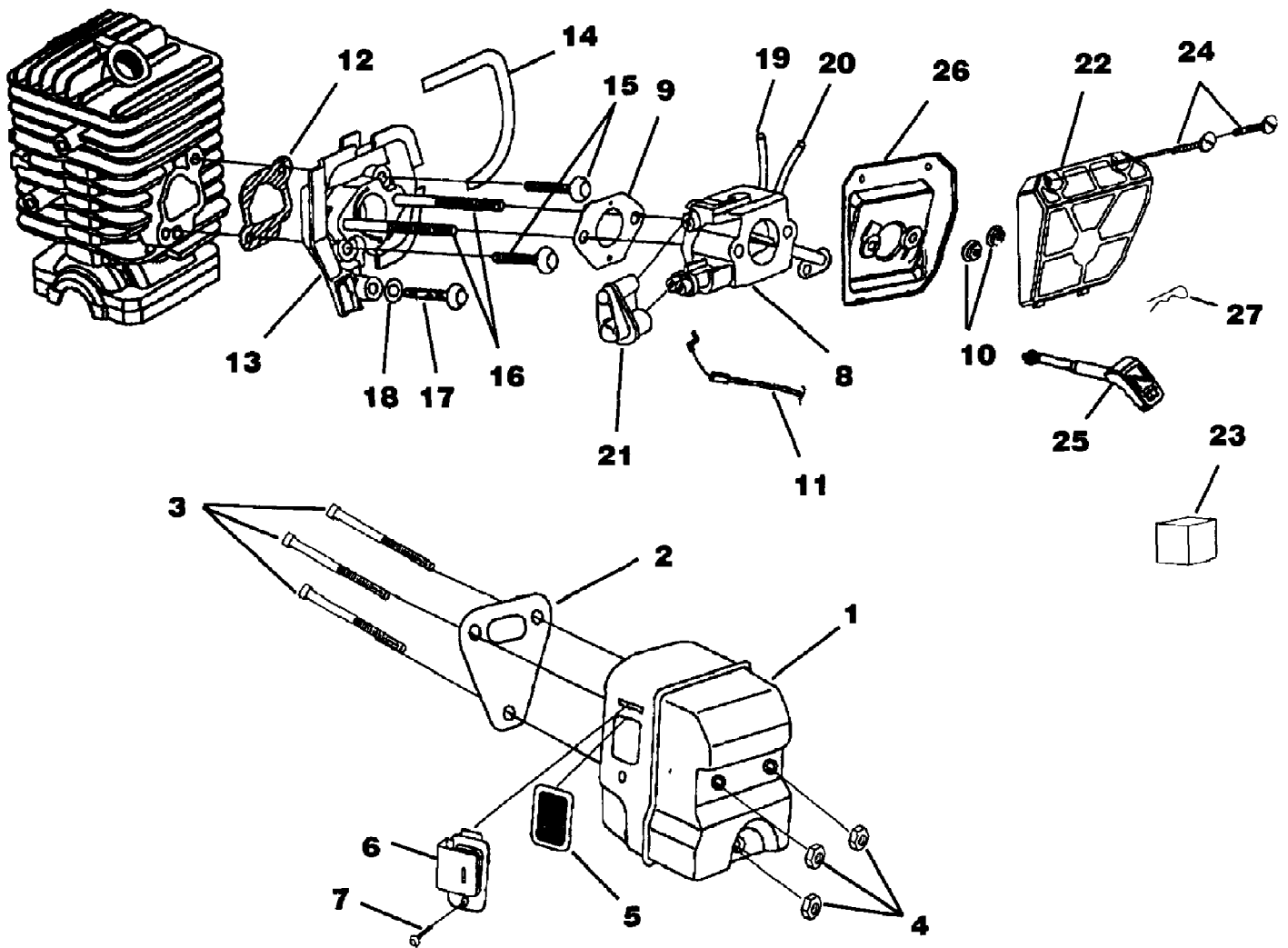


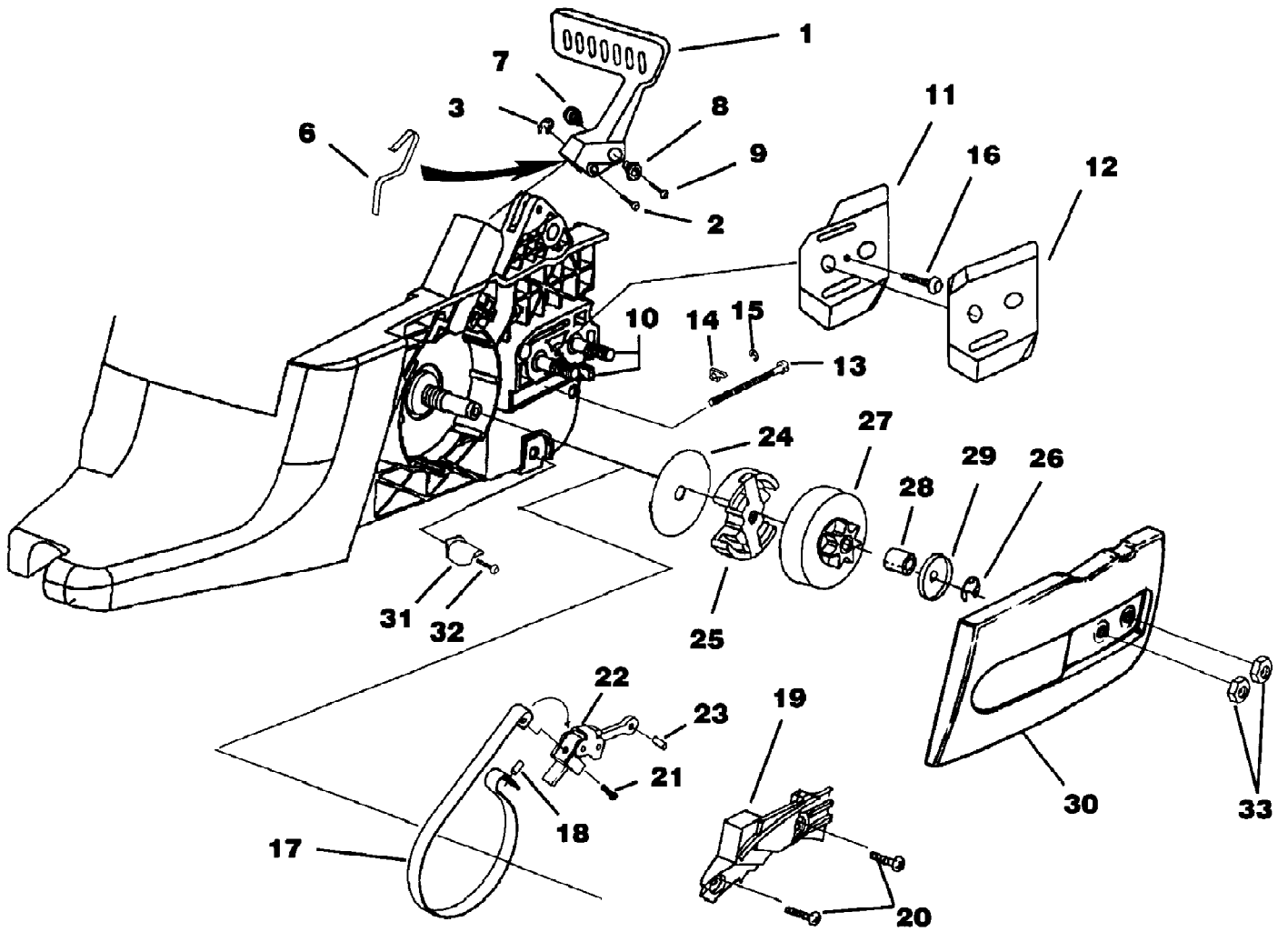
No
Diagram
Available

Parts List
Only

Ref #	Part Number	Qty	S/P/F	Description
	DG08864	1		12" Guide Bar (Power Tip) (3/8")
	DG08865	1		14" Guide Bar (Power Tip) (3/8")
	DG08866	1		16" Guide Bar (Power Tip) (3/8")
	DG08867	1		18" Guide Bar (Power Tip) (3/8")
	H1N7245AQ	1		12" Chain (3/8")
	H1N7252AQ	1		14" Chain (3/8")
	H1N7256AQ	1		16" Chain (3/8")
	H1N7262AQ	1		18" Chain (3/8")
	24823	1	S	Sealant Silicon
	0745499	1	/P	Rubber tubing (10')
	A24824	1	S	Wrench - Combination
	18416	1		Digital Tachometer
	18453	1	/P	Grease, Multi-purpose
	94194	1	/P	Compression Tester
	JA313164	1		Tester, Spark Plug
	JA547156	1		Sta-Bil (Fuel Stabilizer)
	2498201	1		Bit, Torx T25
	1856601	1	/P	Bit, Torx T27
	A01502A	1	S	Carry Case
	A09139	1	S	Bumper Spike Kit

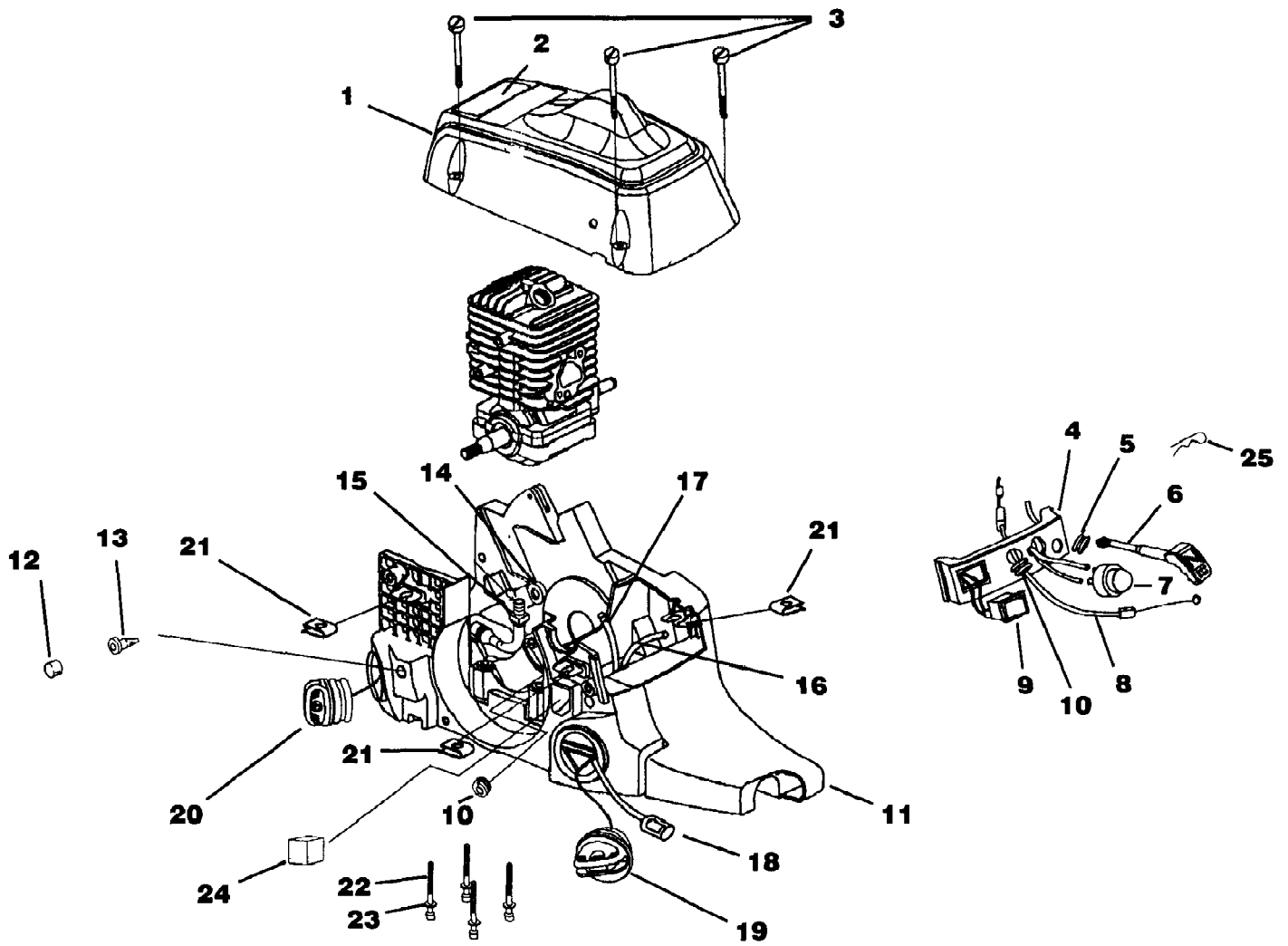


Ref #	Part Number	Qty	S/P/F	Description
1	A08694	1	S	Muffler Kit
2	06839	1	S/P	Muffler Gasket
3	07592	3	S	Screw-Square Hd.
4	81206	3	S/P	Nut-Locking Hex (10-32) Torque Specs: 50-60 In/Lbs; 5.6-6.7 Nm
5	07394	1	/P	Screen, Spark
6	07396A	1	/P	Deflector, Muffler
7	95922	1	/P	Screw
8	A08674	1	S	Carburetor Kit
9	98339	1	S/P	Carburetor Gasket
10	07589	2	/P	Flange Nut (10-24) Torque Specs: 30-40 In/Lbs; 3.4-4.5 Nm
11	A07596A	1	S	Throttle Cable
12	06840A	1	/P	Gasket, Heat Dam
13	04916	1	/P	Heat Dam
14	06873	1	/P	Seal, Heat Dam
15	82539	2	S/P	Screw, Truss Hd. Taptite (10-24 x 7/8") Torque Specs: 45-55 In/Lbs; 5.0-6.2 Nm
16	06852	2	/P	Screw, Carburetor
17	82541	1	/P	Screw, Thread Form (10-14 x 1/2") Torque Specs: 30-40 In/Lbs; 3.4-4.5 Nm
18	12789	1	/P	Washer, Retaining
19	0745434	1	/P	Fuel Line (Tank to Carburetor 8 1/2")
20	0745416	1	/P	Fuel Line (Carburetor to Purge Bulb 4")
21	04907	1	/P	Carburetor Grommet
	A08693	1	S	Air Filter Kit
22	04938	1	/P	Air Filter Cover
23	07407	1		Pre Filter (In engine housing)
24	82617	2	/P	Screw-Slotted Pan Hd. (8-16 x 5/8") Torque Specs: 15-20 In/Lbs; 1.7-2.3 Nm
25	07579	1	S	Rod, Choke
26	04937	1	/P	Air Filter Plate
27	08939	1	/P	Spring Clip (Choke Rod)



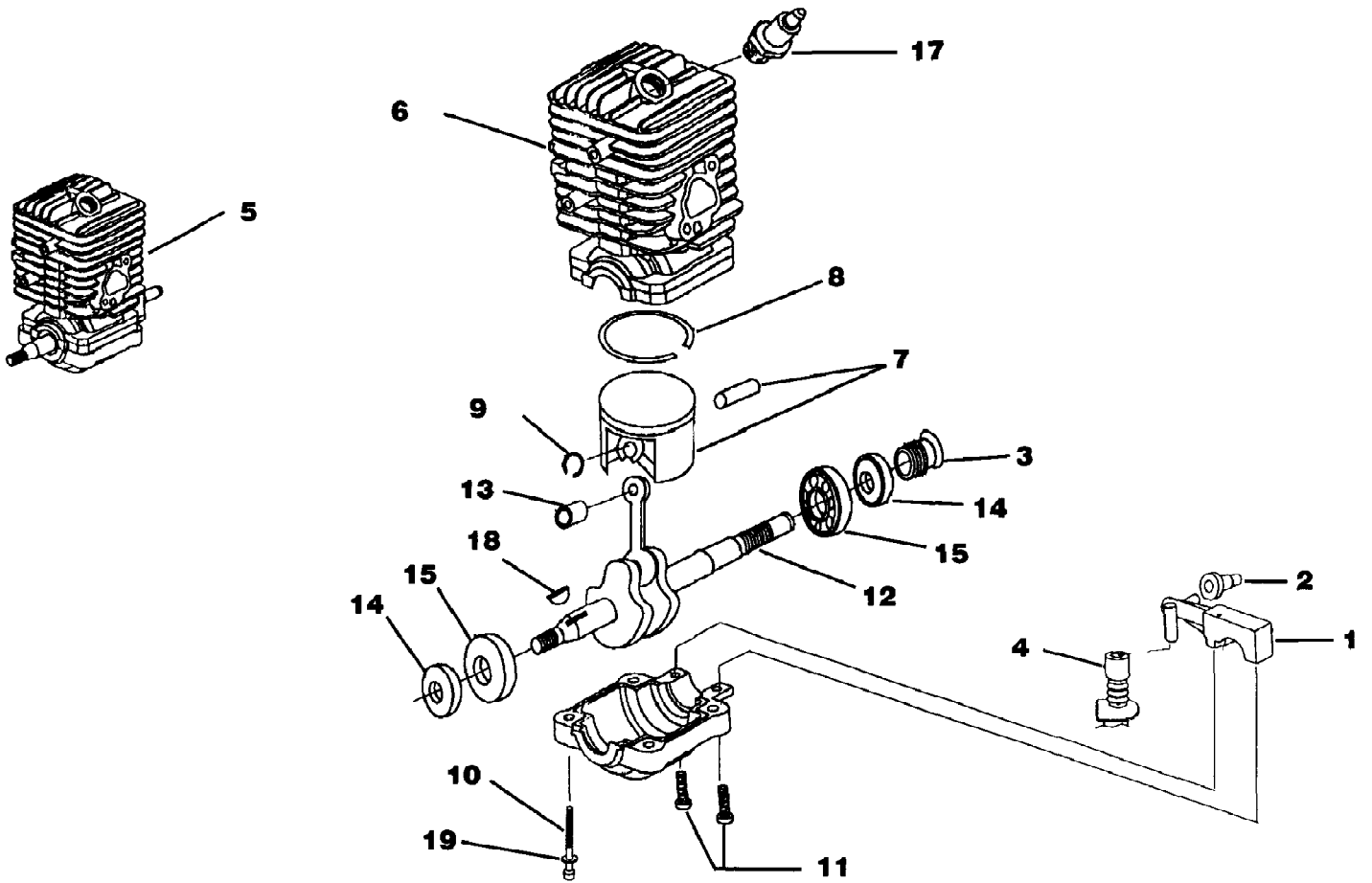
Clutch - Chain Brake - Drive Case Cover

Ref #	Part Number	Qty	S/P/F	Description
1	A08681A	1	S	Hand Guard Kit
2	07580	1	S/P	Hand Guard Actuating Pin
3	69599	1	/P	Retaining Ring
?4	07406	1	S	Hand Guard Link (Not shown)(Non-chain brake units)
?5	95395A	1	/P	Roll Pin (Not shown)(Non-chain brake units)
6	07613	1	/P	Spring, Handguard
7	07393	1	S/P	Pivot, L.H.
8	07392	1	S/P	Pivot, R.H.
9	82624	1	/P	Screw, Hex Socket Hd. (8-32 x 5/8") Torque Specs: 25-35 In/Lbs; 2.8-3.9 Nm
10	04945	2	S	Guide Bar Bolt
	A08678	1	S	Guide Bar Adjusting Kit
11	07404A	1	/P	Plate, Guide Bar
12	07405A	1	/P	Plate, Guide Bar
13	06844	1	/P	Screw, Guide Bar Adjusting
14	06842	1	/P	Pin, Guide Bar Adjusting
15	69599	1	/P	Ring, Retaining
16	82513	1	/P	Screw, Thread Form (6-19 x 1/2") Torque Specs: 8-18 In/Lbs; .9-2.0 Nm
17	A086802	1		Chain Brake Kit
18	06672	1	S/P	Pin, Roll
19	068433	1		Cover, Chain Brake
20	82513	2	/P	Screw, Pan Hd (6-19 x 1/2") Torque Specs: 10-20 In/Lbs; 1.1-2.3 Nm
21	82623	1	S/P	Screw, Pan Hd. (8-16 x .320) Torque Specs: 20-30 In/Lbs; 2.3-3.4 Nm
22	A07612	1	S	Chain Brake Link
23	95395A	1	/P	Pin, Roll
24	04940	1	/P	Thrust Washer
25	A09023	1	S	Clutch & Hardware
26	08981	1	/P	Ring, Retaining
27	A09024	1	S	Sprocket, Drum & Hardware
28	04927	1	S	Bearing, Needle
26	08981	1	/P	Ring, Retaining
29	04939A	1	/P	Washer, Cupped
30	A086732	1	S	Drive Case Cover
31	95212	1	/P	Stop, Chain
32	82563	1	/P	Screw, Thread Form (10-14 x 3/4") Torque Specs: 30-50 In/Lbs; 3.4-5.6 Nm
33	81196	2	S/P	Nut, Hex Torque Specs: Hand Tight

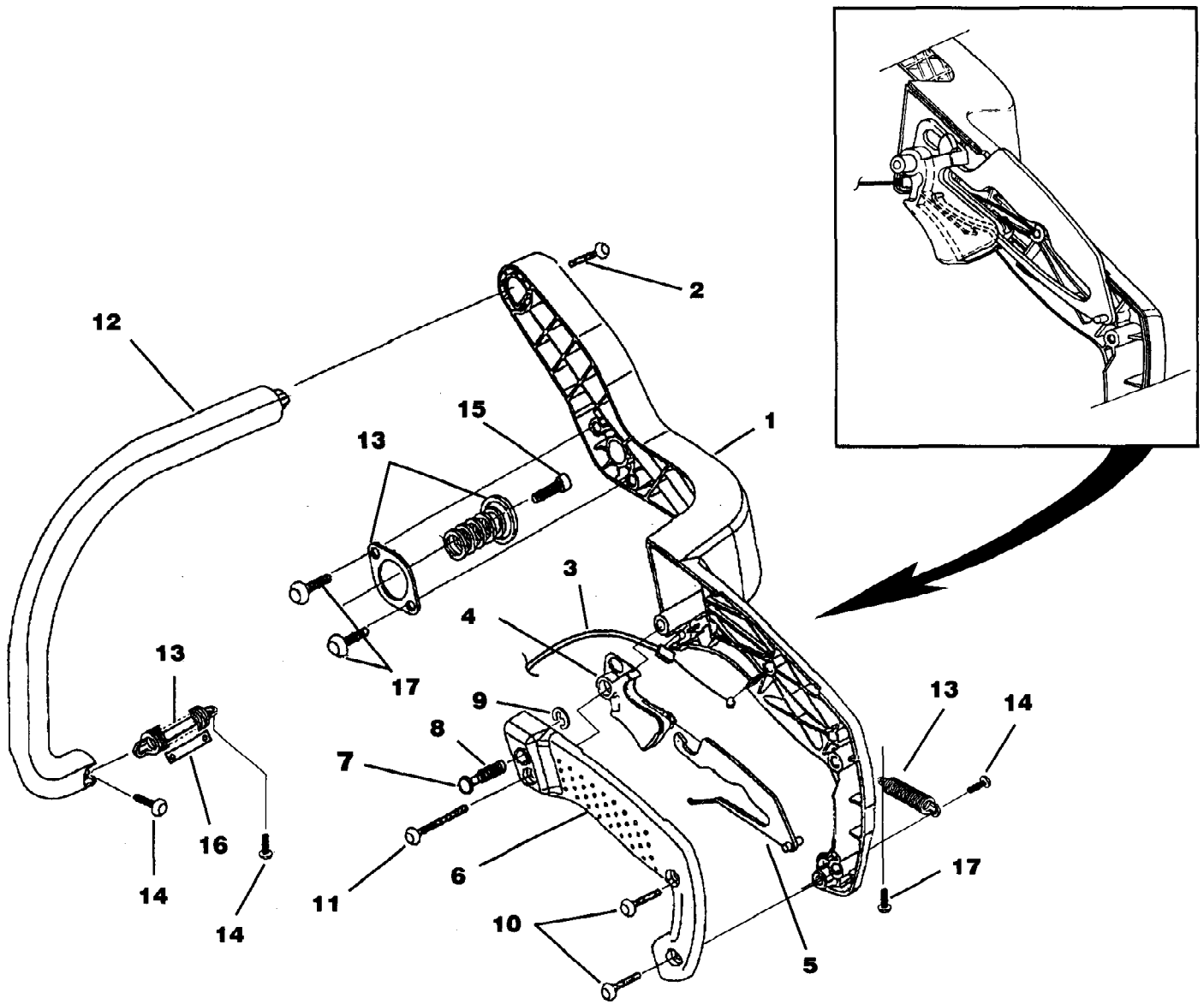


Engine Housing - Fuel Tank - Oil Tank

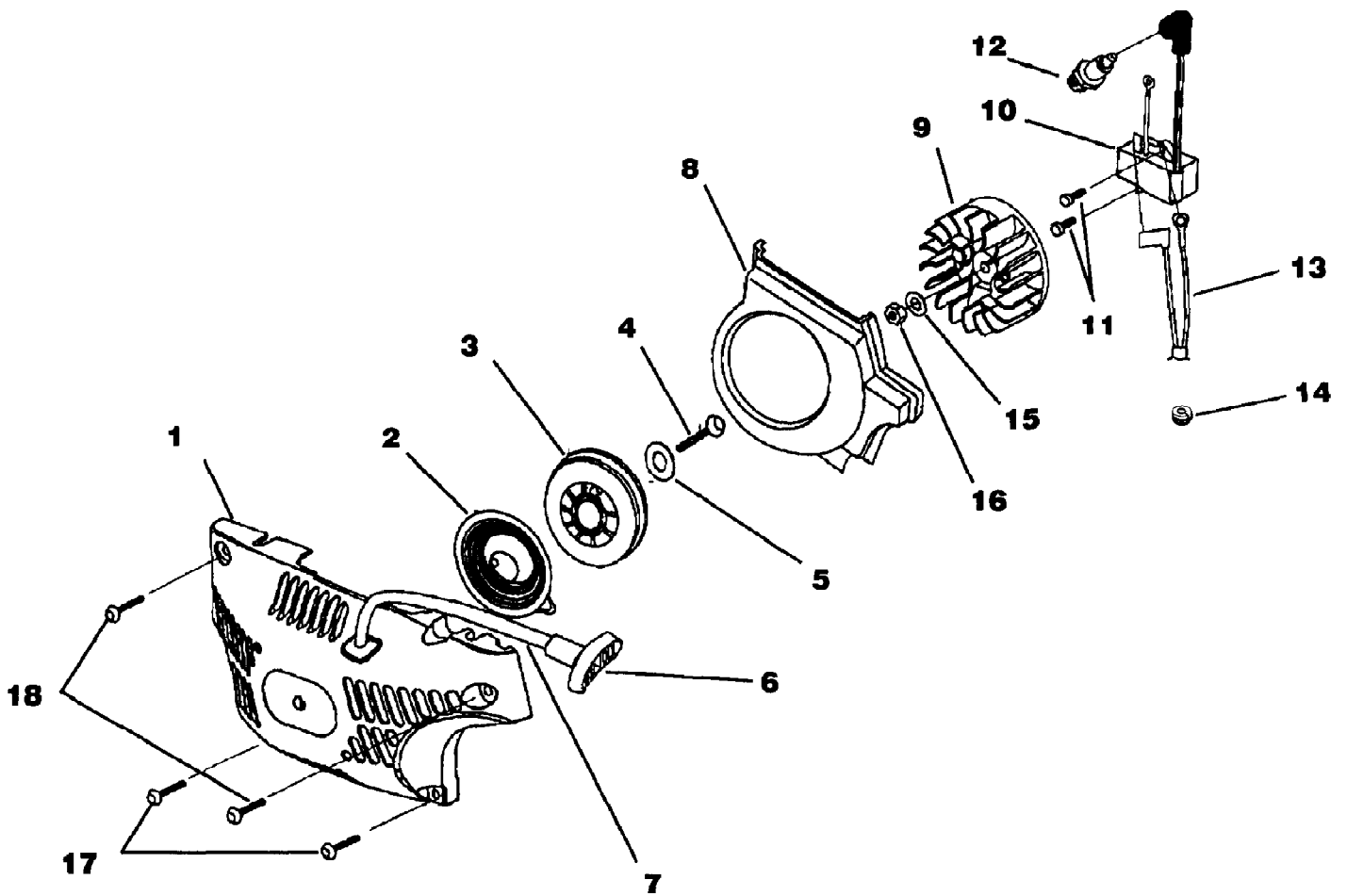
Ref #	Part Number	Qty	S/P/F	Description
1	A08692	1	S	Cylinder Cover Kit
2	07566	1	S/P	Safety Decal
3	07597	3	S/P	Screw-Slotted Pan Hd. Torque Specs: 15-25 In/Lbs; 1.7-2.8 Nm
4	073793	1		Control Panel
5	64862	1	/P	Grommet
6	07579	1	S	Rod, Choke
7	01183	1	/P	Bulb, Air Purge
8	A07596A	1	S	Throttle Cable
9	07385	1	S	Switch, Rocker
10	07587	2	/P	Grommet - Split
11	A09007	1		Engine Housing Assembly
12	07403	2	S/P	Element, Filter (Bronze)
13	03134	2	S/P	Duck Bill Valve
14	06841	1	/P	Oil Outlet Grommet
15	06848	1	S	Oil Intake Tube
16	0745422	1	/P	Rubber Tubing (5 1/2")
17	0745434	1	/P	Rubber Tubing (8 1/2")
18	49422	1	S	Fuel Filter
19	DG07590	1		Fuel Cap w/Retainer
20	DG07591	1		Oil Cap w/Retainer
	A68593	1		Oil Filter (Not Shown)
	04945	2	S	Guide Bar Bolt (Not Shown)
21	07598	3	/P	Speed Nut ("U-Type")
22	82527	4	S/P	Screw, Cap-Socket Hd. (10-24 x 2") Torque Specs: 65-76 In/Lbs; 7.3-8.5 Nm
23	84008	4	S/P	Washer
24	07407	1		Pre Filter
25	08939	1	/P	Spring Clip (Choke Rod)



Ref #	Part Number	Qty	S/P/F	Description
1	A08682	1	S	Oil Pump Kit
2	06841	1	/P	Grommet, Oil Outlet
3	06847	1	S/P	Left Hand Worm
4	06848	1	S	Tube, Oil Intake
	A68593	1		Oil Filter (Not Shown)
5	A08671	1	S	Short Block, Complete (33cc)
	A08672	1	S	Short Block, Complete (38cc)
6	A08666	1	S	Cylinder Kit (33cc)
	A08667	1	S/P	Cylinder Kit (38cc)
	06839	1	S/P	Gasket, Muffler (Not Shown)
	06840A	1	/P	Gasket, Heat Dam (Not Shown)
	98339	1	S/P	Gasket, Carburetor (Not Shown)
7	A08668	1	S	Piston & Pin (33cc)
8	04933	1	/P	Piston Ring
9	64813	2	/P	Ring, Retaining
7	A08669	1	S	Piston & Pin (38cc)
8	06857	1	/P	Piston Ring
9	64813	2	/P	Ring, Retaining
10	82527	4	S/P	Screw, Cap-Socket Hd. (10-24 x 2") Torque Specs: 65-75 In/Lbs; 7.3-8.5 Nm
11	82546	2	S/P	Screw, Pan Hd. (8-16 x 5/8") Torque Specs: 15-20 In/Lbs; 1.7-2.3 Nm
12	A08670	1	S	Crankshaft & Rod Assembly
13	04921	1	S	Bearing, Needle
14	04920	2	S/P	Shaft Seal
15	A04931	2	S	Bearing & Case
?16	04919	1	S/P	Case (Not Shown)
17	93561S	1	S	Spark Plug Torque Specs: 120-180 In/Lbs; 1.7-2.3 Nm
18	69250	1	/P	Woodruff Key
19	84008	4	S/P	Washer



Ref #	Part Number	Qty	S/P/F	Description
1	A08675	1	S	Rear Handle Kit
2	82615	1	/P	Screw-Pan Hd. (12-14 x 1 1/2") Torque Specs: 40-50 In/lbs; 4.5-5.6 Nm
3	A07596A	1	S	Throttle Cable
4	07382A	1	S	Trigger, Throttle
5	07383	1	S	Throttle Lock Out
6	A08683	1	S	Handle Cover Kit
7	07388	1	S	Throttle Lock Pin
8	08898	1	/P	Spring, Compression
9	58409	1	/P	Ring, Retainer
10	82563	2	/P	Screw, Thread Form (10-14 x 3/4") Torque Specs: 30-40 In/lbs; 3.4-4.5 Nm
11	82622	1	/P	Screw, Thread Form (10-14 x 1 3/8") Torque Specs: 30-40 In/lbs; 3.4-4.5 Nm
12	A08695	1	S	Front Handle Kit
	82615	1	/P	Screw-Pan Hd. (12-14 x 1 1/2") (See No. 2 above)
13	A08677	1	S	Isolator Kit
14	82621	3	/P	Screw, Truss Hd. (10-14 x 5/8") Torque Specs: 30-40 In/lbs; 3.4-4.5 Nm
15	82597	1	S/P	Screw, Truss Hd. (10-24 x 5/8") Torque Specs: 40-50 In/lbs; 4.5-5.6 Nm
16	01812A	1	/P	Limiter, Isolator
17	82541	3	/P	Screw, Thread Form (10-14 x 1/2") Torque Specs: 30-40 In/lbs; 3.4-4.5 Nm



Ref #	Part Number	Qty	S/P/F	Description
1	A086792	1		Starter Kit
2	A97908	1	/P	Spring & Container
3	97768B	1	S	Pulley, Starter
4	82563	1	/P	Screw, Thread Form (10-14 x 3/4") Torque Specs: 30-40 In/Lbs; 3.4-4.5 Nm
5	94062	1	/P	Washer, Retaining
6	07588	1	S	Grip, Starter
7	9789901	1	/P	Rope, Starter 46"
8	06876	1	/P	Baffle, Fan Housing
9	A95007	1	S	Rotor & Starter Pawl
10	A08676	1	S	Ignition Kit
11	82575	2	S/P	Screw, Thread Form (8-32 x 5/8") Torque Specs: 30-40 In/Lbs; 3.4-4.5 Nm
12	93561S	1	S	Spark Plug Torque Specs: 120-180 In/Lbs; 13.6-20.3 Nm
13	A07602	1	S	Ignition Switch Harness
14	07587	1	/P	Grommet, Wire Harness (Split)
15	84065	1	S	Washer, Flat
16	81229A	1	/P	Nut, Jam Torque Specs: 100-150 In/Lbs; 11.3-16.9 Nm
17	82620	2	/P	Screw, Truss Hd. (10-14 x 7/8") Torque Specs: 30-40 In/Lbs; 3.4-4.5 Nm
18	82621	2	/P	Screw, Truss Hd. (10-14 x 5/8") Torque Specs: 30-40 In/Lbs; 3.4-4.5 Nm