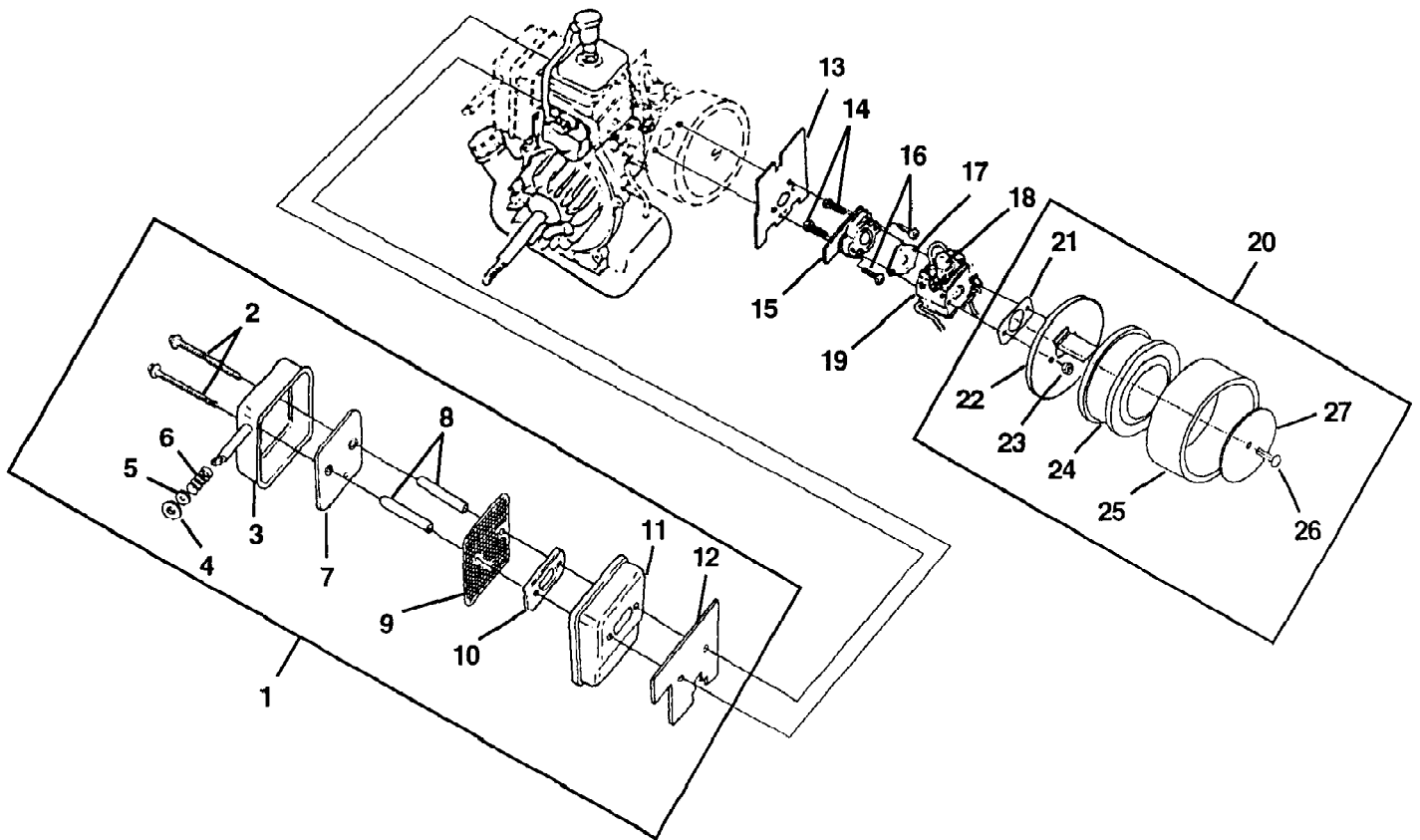


3000HB UT-26111  
Air Filter / Muffler / Carburetor

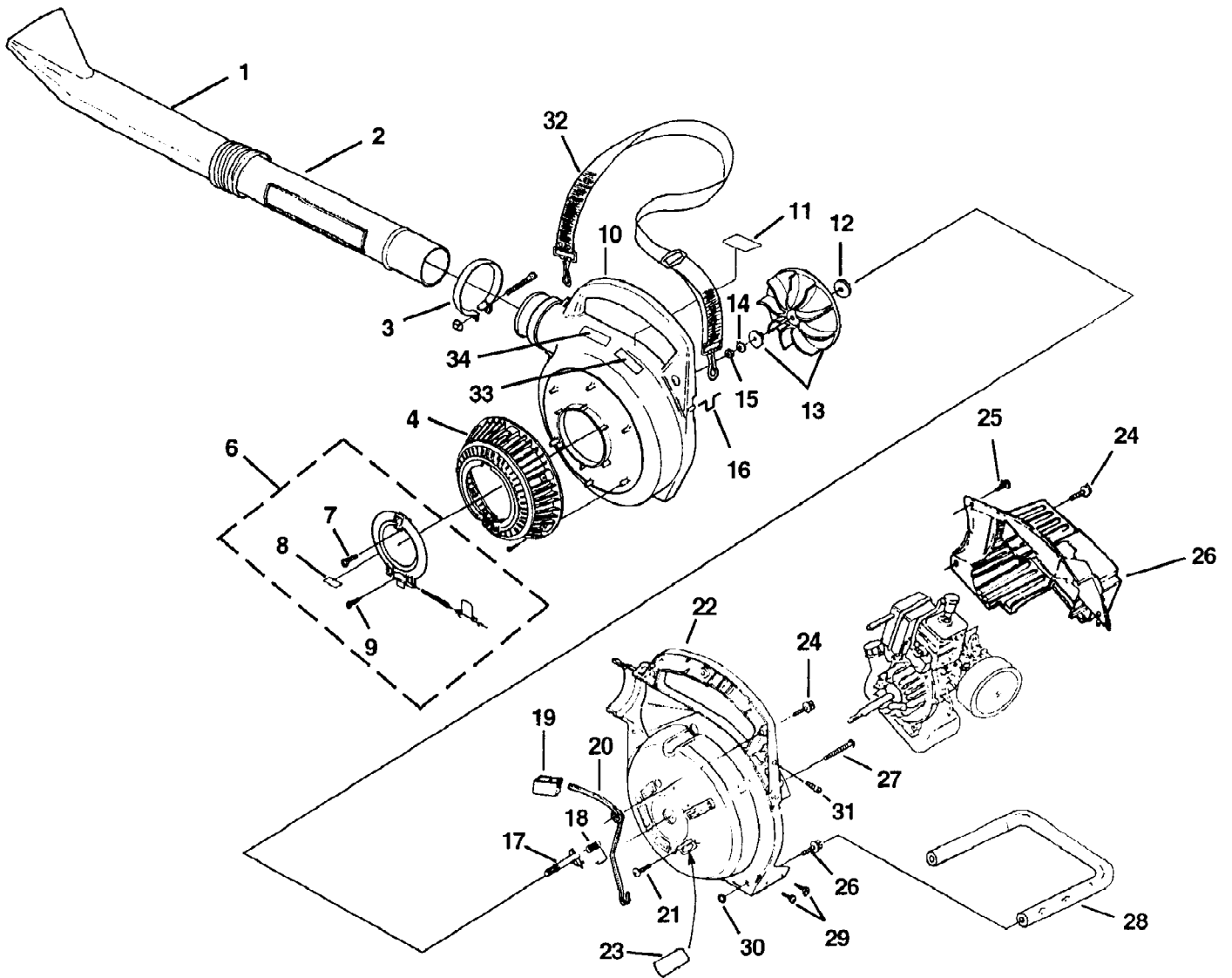


3000HB UT-26111  
Air Filter / Muffler / Carburetor

Page 2 of 12

| Ref # | Part Number | Qty | S/P/F | Description   |
|-------|-------------|-----|-------|---|
| 1     | A04714      | 1   | S     | MUFFLER ASSY.   |
| 2     | 88060       | 2   | S/P   | SCREW, (SEMS HEX HD 10-24 X 2 1/2")<br>Torque Specs: 40-50 In/Lbs; 4.6-5.8 Nm |
| 3     | A00366      | 1   | /P    | MUFFLER COVER   |
| 4     | 00381       | 1   | /P    | WASHER, INSULATING  |
| 5     | 84117       | 1   | /P    | WASHER, FLAT  |
| 6     | 00387       | 1   | /P    | SPRING, COMPRESSION   |
| 7     | 00777       | 1   | /P    | DEFLECTOR, MUFFLER  |
| 8     | 04785       | 2   | /P    | SPACER, MUFFLER   |
| 9     | 00388B      | 1   | /P    | SCREEN, SPARK ARRESTOR  |
| 10    | 98783       | 1   | /P    | PLATE, REINFORCING  |
| 11    | 98781       | 1   | S/P   | BODY, MUFFLER   |
| 12    | 00394A      | 1   | S     | GASKET, MUFFLER   |
| 13    | 08840       | 1   | /P    | GASKET, HEAT DAM  |
| 14    | 04474       | 2   | /P    | SCREW, MACHINE 10-24 X 2 1/4 Torque<br>Specs: 30-40 In/Lbs; 3.5-4.6 Nm        |
| 15    | 98768       | 1   | S     | HEAT DAM  |
| 16    | 093221      | 2   | S/P   | SCREW, SEMS (10-24 x 1.110) Torque<br>Specs: 40-50 In/Lbs; 4.6-5.8 Nm         |
| 17    | 98766A      | 1   | S/P   | GASKET, CARBURETOR  |
| 18    | 01201       | 1   | S     | PRIMER BULB (WALBRO)  |
|       | A01195A     | 1   | S     | PRIMER BULB (ZAMA)  |
| 19    | A06805A     | 1   | S     | CARBURETOR  |
| 20    | A04610B     | 1   | /P    | AIR FILTER ASSY.  |
| 21    | 04325       | 1   |       | GASKET, CARBURETOR  |
| 22    | 03890       | 1   |       | PLATE, FILTER   |
| 23    | 81208       | 2   | /P    | NUT, MACHINE 10-24 Torque Specs: 30-40<br>In/Lbs; 3.5-4.6 Nm                  |
| 24    | 03847       | 1   |       | AIR FILTER  |
| 25    | 04307B      | 1   | S     | PRE-FILTER  |
| 26    | 825551      | 1   | S     | SCREW, (MACHINE 10-24 X 3/4") Torque<br>Specs: 30-40 In/Lbs; 3.5-4.6 Nm       |
| 27    | 041451      | 1   | S     | WASHER, FILTER  |

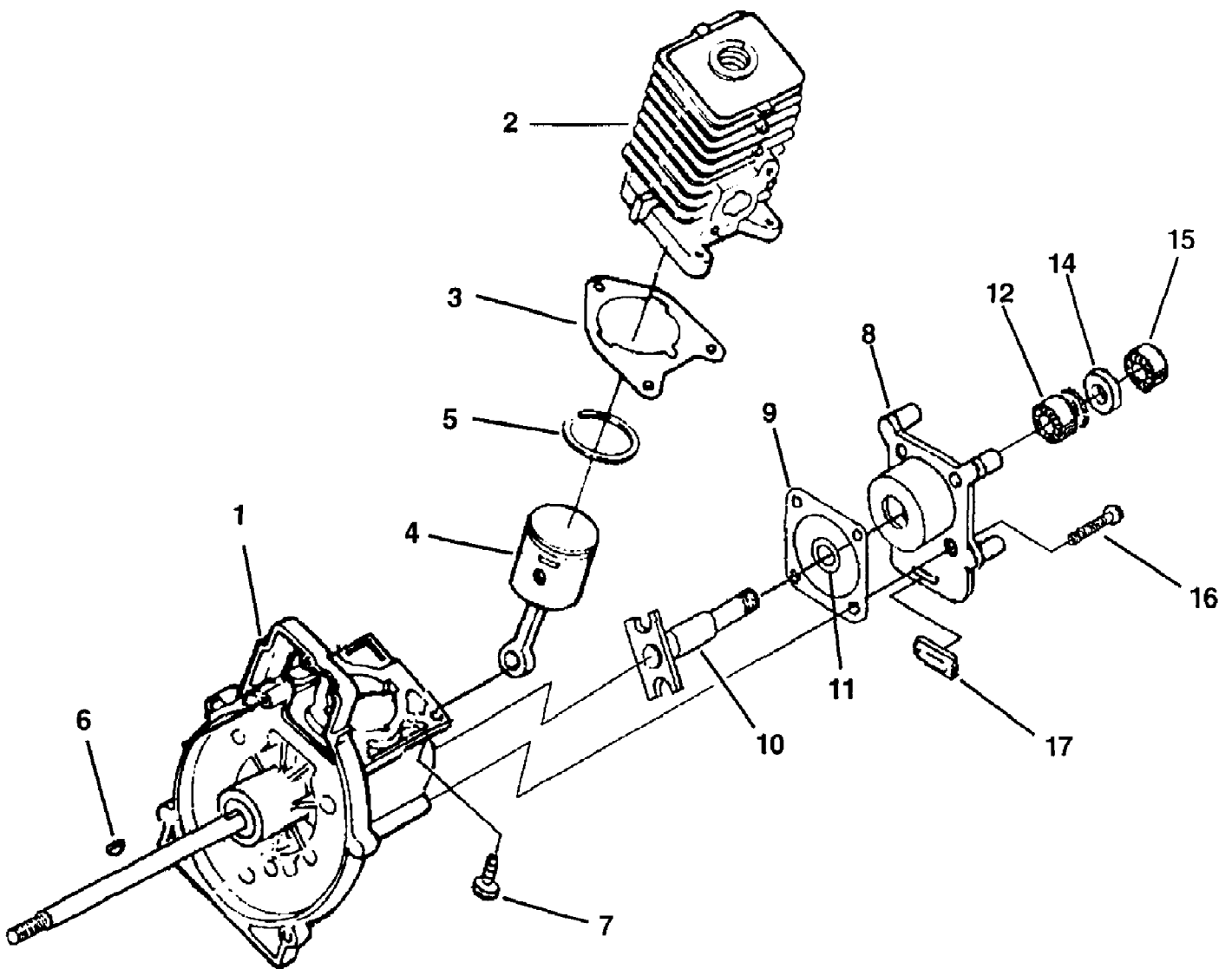
3000HB UT-26111  
Body & Tubes



3000HB UT-26111  
Body & Tubes

Page 4 of 12

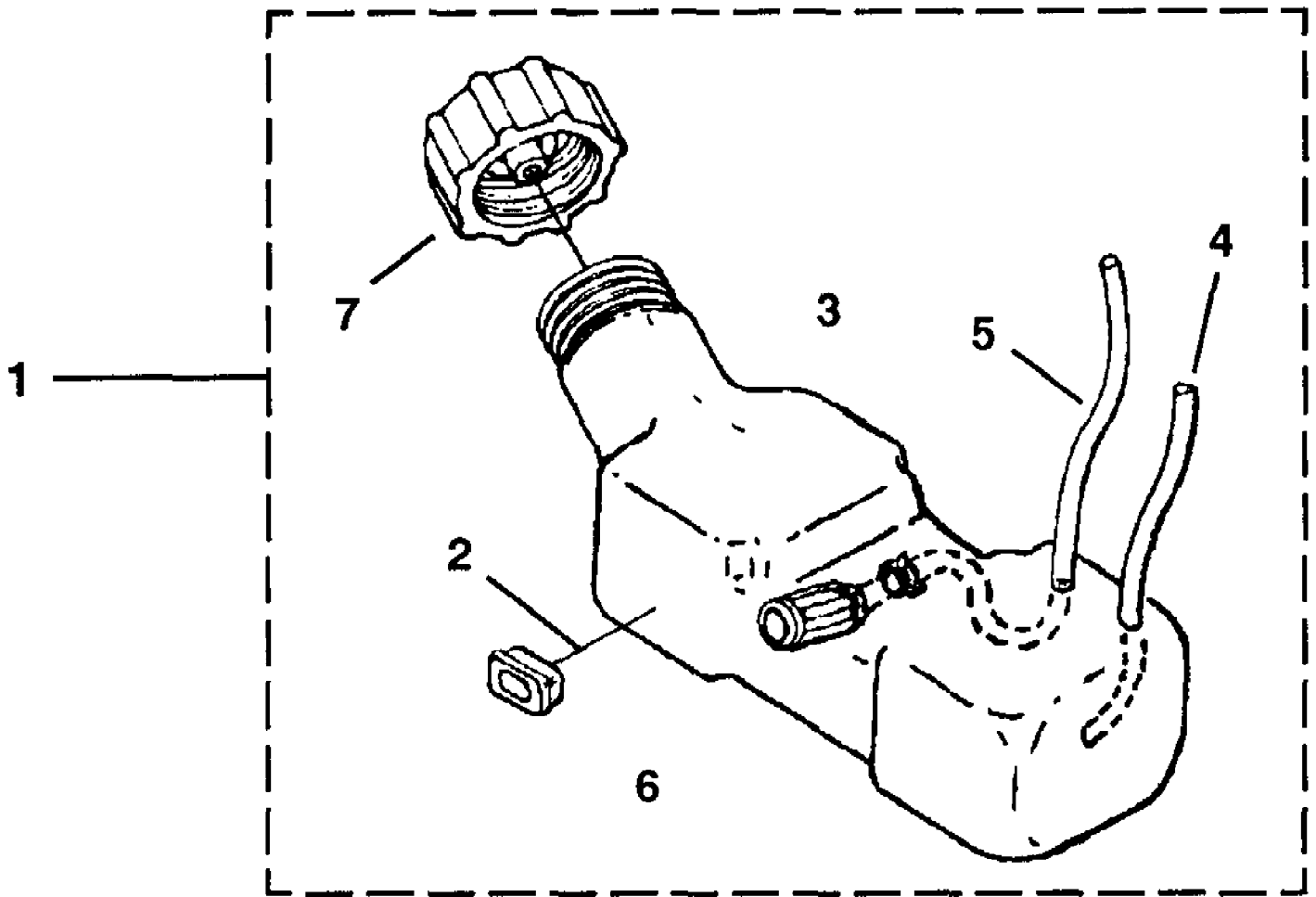
| Ref # | Part Number | Qty | S/P/F | Description   |
|-------|-------------|-----|-------|---|
| 1     | 00373A      | 1   | S/P   | TUBE KIT  |
| 2     | 00372B      | 1   | /P    | TUBE  |
| 3     | 00433B      | 1   | S/P   | CLAMP W/FASTENERS   |
| 4     | A04853      | 1   | S     | GRILLE, BLOWER VAC  |
| ?5    | 82528       | 6   | /P    | SCREW, #6 X 3/4" S.T. Torque Specs:<br>10-20 In/Lbs; 1.1-2.3 Nm                 |
| 6     | A04854      | 1   | S     | COVER, ACCESS   |
| 7     | 82312       | 1   | /P    | SCREW, #10 X 5/8" S.T. Torque Specs:<br>10-20 In/Lbs; 1.1-2.3 Nm                |
| 8     | 03555       | 1   |       | DECAL, SAFETY   |
| 9     | 82376       | 4   | /P    | SCREW #8 X 1/2" S.T. Torque Specs: 10-20<br>In/Lbs; 1.1-2.3 Nm                  |
| 10    | 003166      | 1   | S     | HOUSING, VOLUTE   |
| 11    | 06305A      | 1   |       | DECAL, WARNING  |
| 12    | 03165       | 2   | S/P   | WASHER, FLAT  |
| 13    | A00503A     | 1   | S     | FAN KIT BLOWER  |
| 14    | 03163       | 1   | /P    | WASHER, BELLVILLE 3/8   |
| 15    | 81124A      | 1   | /P    | NUT, HEX 3/8-24 Torque Specs: 130-150<br>In/Lbs; 14.9-17.2 Nm                   |
| 16    | 00398       | 1   | /P    | LOOP WIRE   |
| 17    | 00368A      | 1   | /P    | LATCH, THROTTLE   |
| 18    | 00370       | 1   | S/P   | SPRING, THR. LATCH  |
| 19    | 00367       | 1   | /P    | TRIGGER, THROTTLE   |
| 20    | 00369A      | 1   | /P    | LEVER, THROTTLE   |
| 21    | 82538       | 1   | /P    | SCREW, #10-24 X 3/4" S.T. Torque Specs:<br>25-35 In/Lbs; 2.8-3.9 Nm             |
| 22    | 003158A     | 1   | S     | HOUSING, VOLUTE   |
| 23    | A00813B     | 1   | S     | KIT SEALING   |
| 24    | 82563       | 6   | /P    | SCREW, #10 X 3/4" S.T. Torque Specs:<br>20-30 In/Lbs; 2.2-3.4 Nm                |
| 25    | 82376       | 3   | /P    | SCREW, #8 X 1/2" S.T. Torque Specs:<br>20-30 In/Lbs; 2.2-3.4 Nm                 |
| 26    | 04439       | 1   | /P    | SHROUD, COV.  |
| 27    | JA416903    | 1   | /P    | SCREW, #10 X 1 5/8" S.T. Torque Specs:<br>20-30 In/Lbs; 2.2-3.4 Nm              |
| 28    | 00393       | 1   | /P    | HANDLE, LOWER (Optional)  |
| 29    | 82348A      | 4   | /P    | SCREW, #8 X 1/2" S.T.P.H. (Optional);<br>Torque Specs: 25-35 In/Lbs; 2.8-3.9 Nm |
| 30    | 01283       | 2   | S     | "O" RING  |
| 31    | PS82146     | 1   | S/P   | SCREW, #8-32 X 5/8" F.H.  |
| 32    | DA98138B    | 1   |       | STRAP, SHOULDER (Optional)  |
| 33    | 07045A      | 1   |       | DECAL, THROTTLE   |
| 34    | 02916A      | 1   |       | DECAL, WARNING  |



3000HB UT-26111  
Engine Internal

Page 6 of 12

| Ref # | Part Number | Qty | S/P/F | Description   |
|-------|-------------|-----|-------|---|
| 1     | A06263C     | 1   |       | SHORT BLOCK   |
| 2     | A07146D     | 1   | S     | CYLINDER  |
| 3     | 04388B      | 1   | S/P   | GASKET, CYLINDER  |
| 4     | A06291B     | 1   | S     | PISTON & ROD  |
| 5     | 04933       | 1   | /P    | RING, PISTON  |
| 6     | 69250       | 1   | /P    | KEY, WOODRUFF   |
| 7     | 880841      | 3   | S     | SCREW, SEMS Torque Specs: 65-75 In/Lbs;<br>7.5-8.6 Nm                 |
| 8     | A040172     | 1   | S     | CRANKCASE COVER   |
| 9     | 98767A      | 1   | /P    | GASKET, CRANKCASE   |
| 10    | 04016B      | 1   | /P    | SHAFT STARTER   |
| 11    | 04589       | 1   | /P    | SPACER  |
| 12    | 00270B      | 1   | S     | BEARING, BALL   |
| ?13   | 98799       | 1   | /P    | RING, RETAINING   |
| 14    | 98800       | 1   | /P    | SEAL, SHAFT   |
| 15    | 04450       | 1   | /P    | BEARING, BALL   |
| 16    | 825551      | 4   | S     | SCREW, MACHINE 10-24 X 3/4" Torque<br>Specs: 40-50 In/Lbs; 4.6-5.8 Nm |
| 17    | 98792       | 3   | /P    | BUMPER, RUBBER  |



3000HB UT-26111  
Fuel Tank

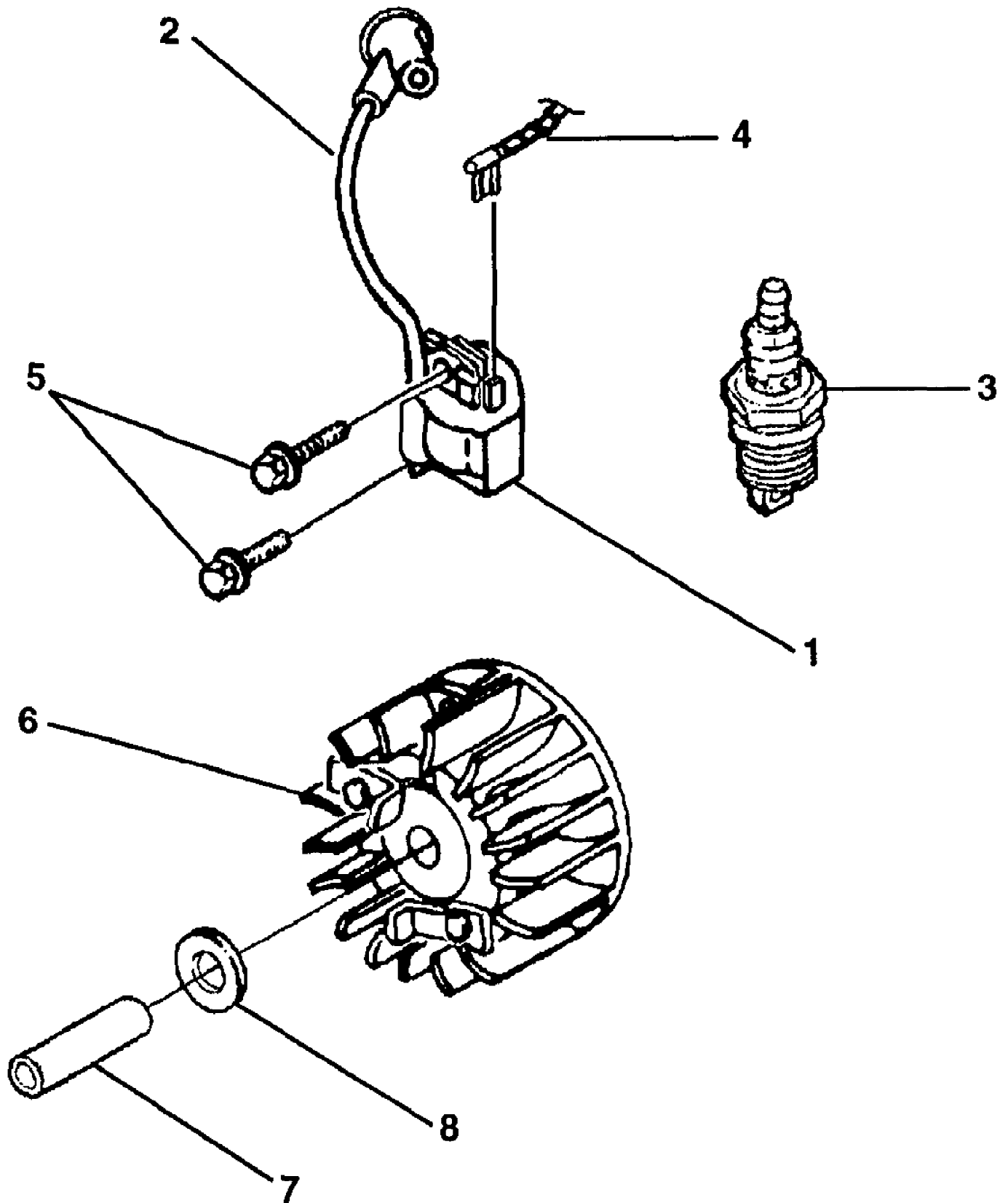
Page 8 of 12

| Ref # | Part Number | Qty | S/P/F | Description      |
|-------|-------------|-----|-------|------------------|
| 1     | A04447D     | 1   | S     | FUEL TANK ASSY.  |
| 2     | 98792       | 1   | /P    | BUMPER, RUBBER   |
| 3     | 98268       | 1   | S/P   | CLAMP, FUEL LINE |
| 4     | 0143932     | 1   | S/P   | TUBBING, FUEL    |
| 5     | 9477232     | 1   | S     | TUBBING, FUEL    |
| 6     | 49422       | 1   | S     | FUEL FILTER      |
| 7     | A00099C     | 1   | S/P   | FUEL CAP         |



3000HB UT-26111  
Ignition

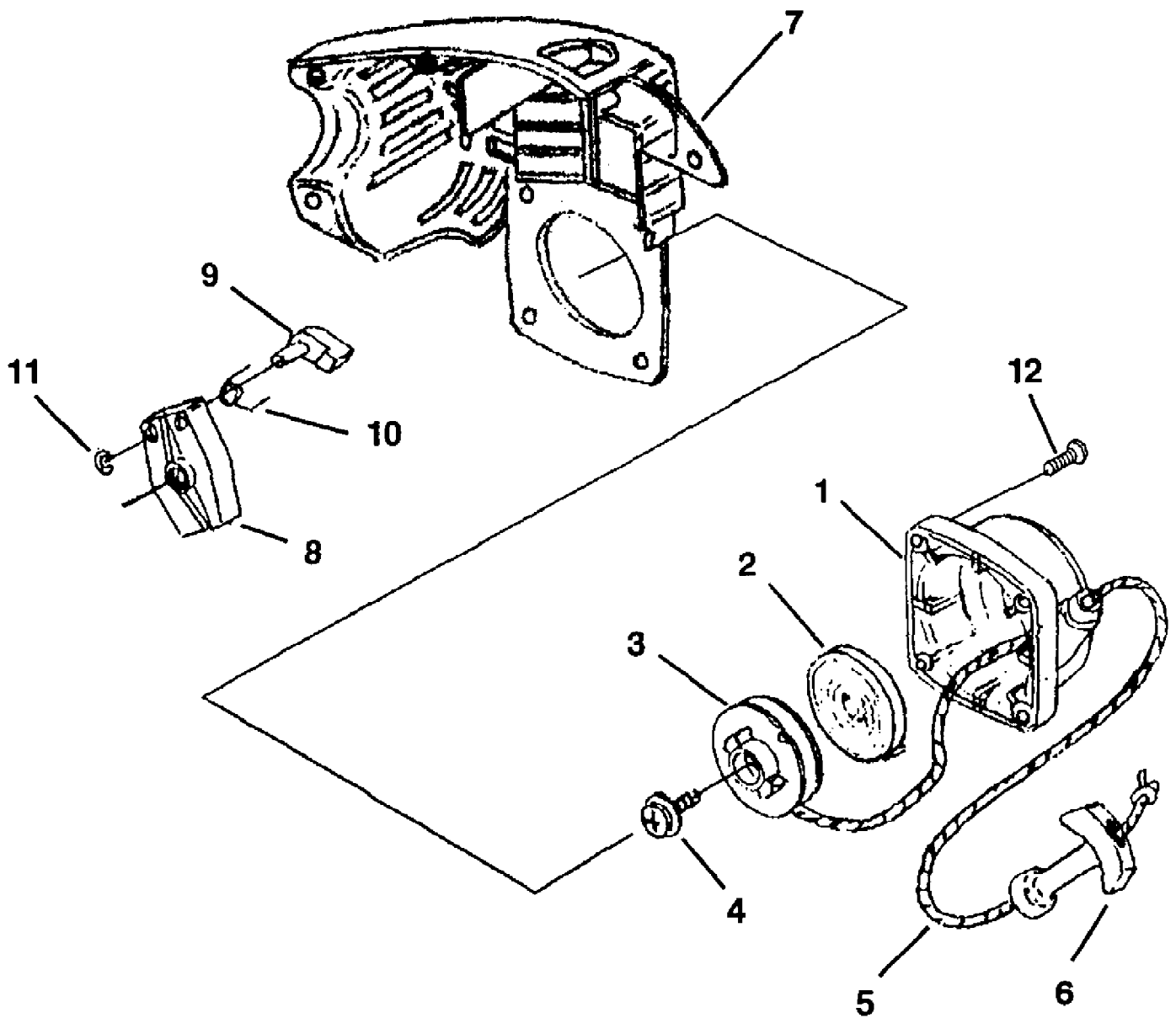
Page 9 of 12



3000HB UT-26111  
Ignition

Page 10 of 12

| Ref # | Part Number | Qty | S/P/F | Description   |
|-------|-------------|-----|-------|---|
| 1     | A04446      | 1   | S     | IGNITION MODULE   |
| 2     | A33055      | 1   | /P    | TERMINAL, BOOT  |
| 3     | 96169S      | 1   | S     | SPARK PLUG (DJ-7Y)  |
| 4     | A03924      | 1   | S     | LEAD WIRE W/TERM.   |
| 5     | 82540       | 2   | /P    | SCREW 8-32 X 1" Torque Specs: 30-40<br>In/Lbs; 3.5-4.6 Nm |
| 6     | A04158S     | 1   | S     | ROTOR   |
| 7     | PS03566     | 1   | S/P   | SPACER, FAN   |
| 8     | 95479A      | 1   | /P    | WASHER, FLAT  |



3000HB UT-26111  
Starter

Page 12 of 12

| Ref # | Part Number | Qty | S/P/F | Description                                  |
|-------|-------------|-----|-------|--|
|       | A04069      | 1   |       | STARTER ASSY.                                |
| 1     | 0406901     | 1   |       | HOUSING, STARTER                             |
| 2     | 0406906     | 1   | S     | SPRING, RECOIL                               |
| 3     | 0406905     | 1   | S     | PULLEY, STARTER                              |
| 4     | 0406904     | 1   | /P    | SCREW Torque Specs: 25-35 In/Lbs; 2.8-3.9 Nm |
| 5     | 0406903     | 1   | /P    | ROPE, STARTER                                |
| 6     | 0406902     | 1   | /P    | GRIP, STARTER                                |
| 7     | 04439       | 1   | /P    | SHROUD, COVER                                |
| 8     | A04018      | 1   | S     | CUP, STARTER                                 |
| 9     | 0401802     | 1   | S     | PAWL, STARTER                                |
| 10    | 0401803     | 1   | S     | SPRING, STARTER PAWL                         |
| 11    | 0401804     | 1   | S     | RING, RETAINER                               |
| 12    | 82538       | 4   | /P    | SCREW Torque Specs: 40-50 In/Lbs; 4.6-5.8 Nm |