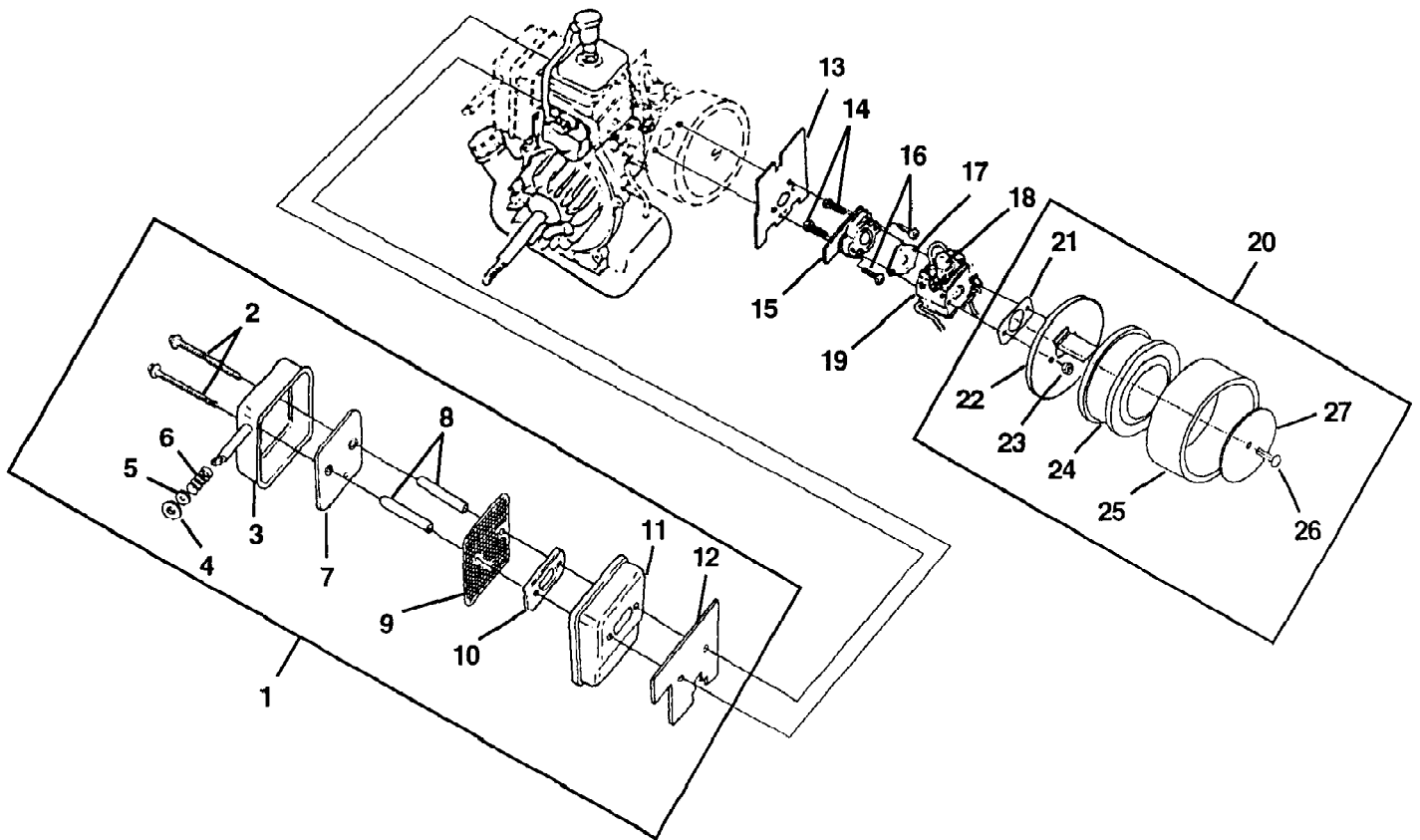


3000HB UT-26111-B
Air Filter / Muffler / Carburetor

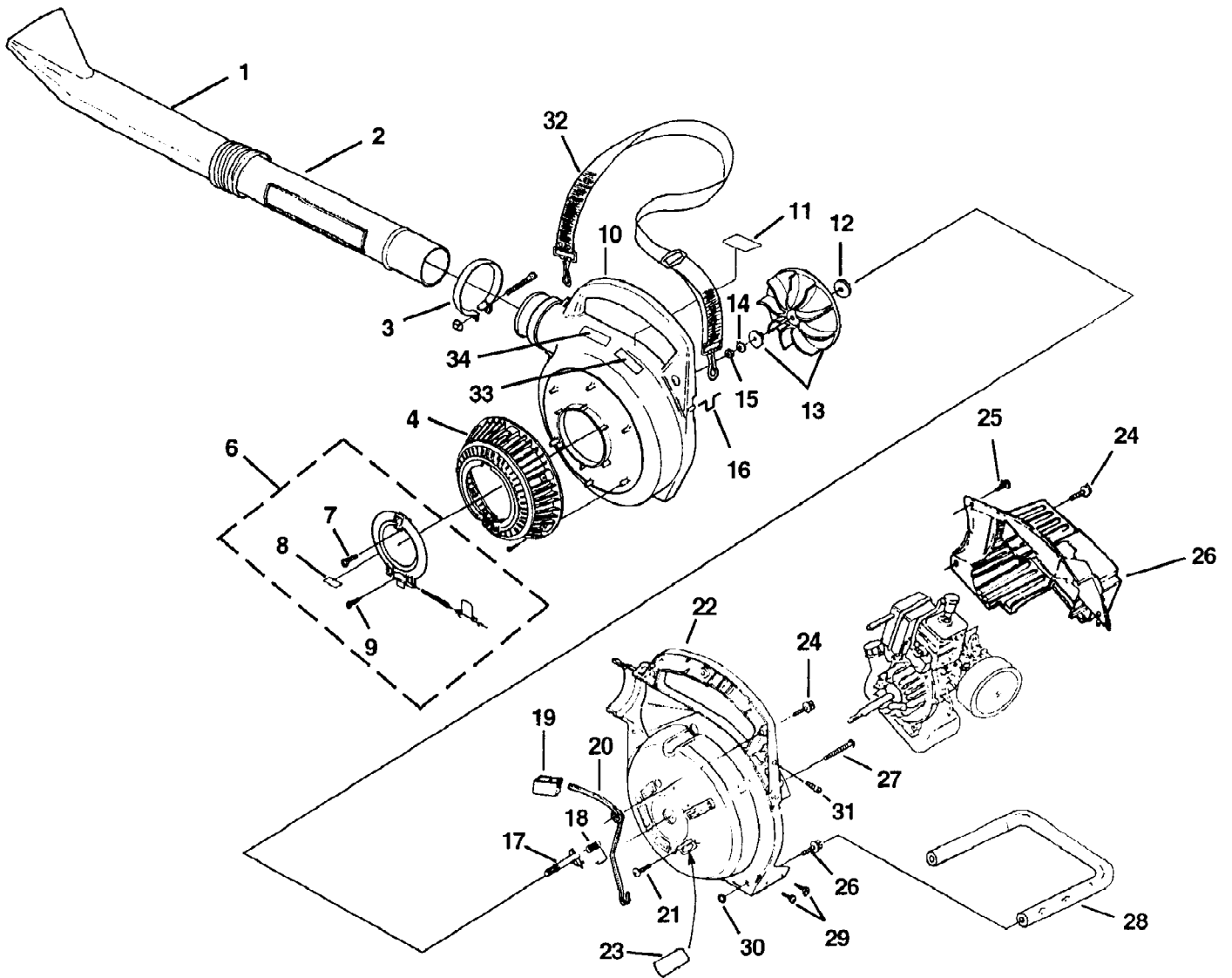


3000HB UT-26111-B
Air Filter / Muffler / Carburetor

Page 2 of 12

Ref #	Part Number	Qty	S/P/F	Description
1	A04714	1	S	MUFFLER ASSY.
2	88060	2	S/P	SCREW, (SEMS HEX HD 10-24 X 2 1/2") Torque Specs: 40-50 In/Lbs; 4.6-5.8 Nm
3	A00366	1	/P	MUFFLER COVER
4	00381	1	/P	WASHER, INSULATING
5	84117	1	/P	WASHER, FLAT
6	00387	1	/P	SPRING, COMPRESSION
7	00777	1	/P	DEFLECTOR, MUFFLER
8	04785	2	/P	SPACER, MUFFLER
9	00388B	1	/P	SCREEN, SPARK ARRESTOR
10	98783	1	/P	PLATE, REINFORCING
11	98781	1	S/P	BODY, MUFFLER
12	00394A	1	S	GASKET, MUFFLER
13	08840	1	/P	GASKET, HEAT DAM
14	04474	2	/P	SCREW, MACHINE 10-24 X 2 1/4 Torque Specs: 30-40 In/Lbs; 3.5-4.6 Nm
15	98768	1	S	HEAT DAM
16	093221	2	S/P	SCREW, SEMS (10-24 x 1.110) Torque Specs: 40-50 In/Lbs; 4.6-5.8 Nm
17	98766A	1	S/P	GASKET, CARBURETOR
18	01201	1	S	PRIMER BULB (WALBRO)
	A01195A	1	S	PRIMER BULB (ZAMA)
19	A06805A	1	S	CARBURETOR
20	A04610B	1	/P	AIR FILTER ASSY.
21	04325	1		GASKET, CARBURETOR
22	03890	1		PLATE, FILTER
23	81208	2	/P	NUT, MACHINE 10-24 Torque Specs: 30-40 In/Lbs; 3.5-4.6 Nm
24	03847	1		AIR FILTER
25	04307B	1	S	PRE-FILTER
26	825551	1	S	SCREW, (MACHINE 10-24 X 3/4") Torque Specs: 30-40 In/Lbs; 3.5-4.6 Nm
27	041451	1	S	WASHER, FILTER

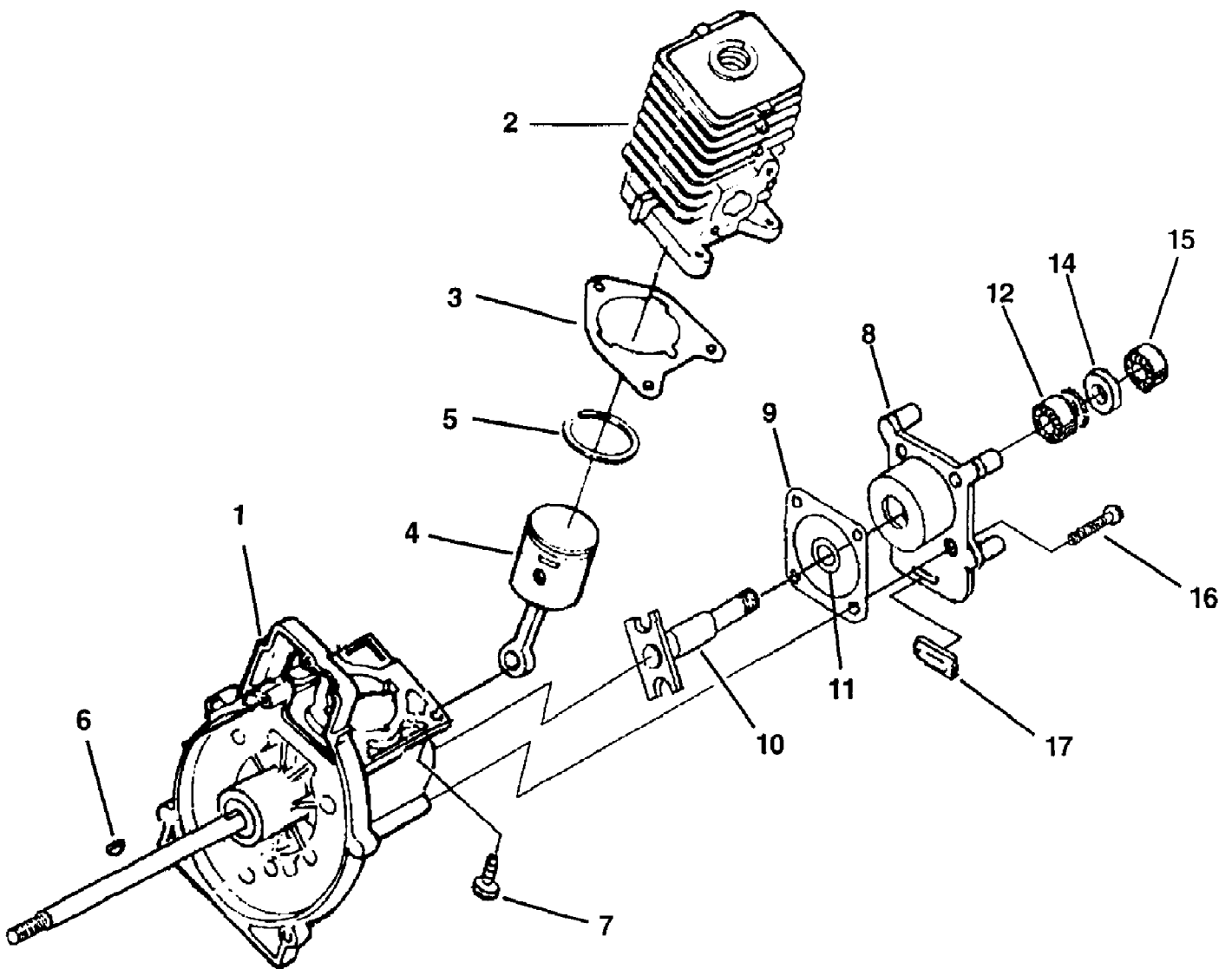
3000HB UT-26111-B
Body & Tubes



3000HB UT-26111-B
Body & Tubes

Page 4 of 12

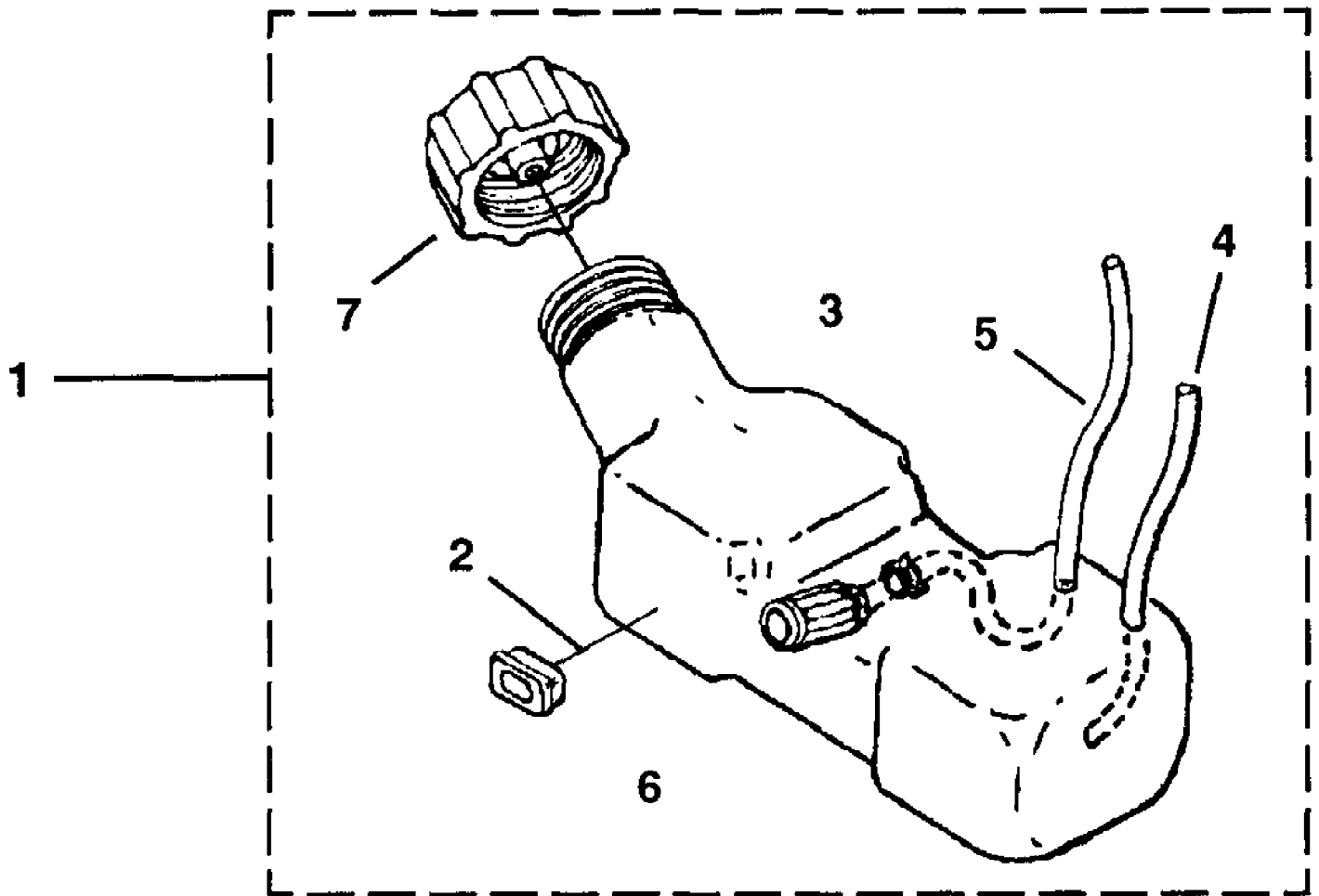
Ref #	Part Number	Qty	S/P/F	Description
1	00373A	1	S/P	TUBE KIT
2	00372B	1	/P	TUBE
3	00433B	1	S/P	CLAMP W/FASTENERS
4	A04853	1	S	GRILLE, BLOWER VAC
?5	82528	6	/P	SCREW, #6 X 3/4" S.T. Torque Specs: 10-20 In/Lbs; 1.1-2.3 Nm
6	A04854	1	S	COVER, ACCESS
7	82312	1	/P	SCREW, #10 X 5/8" S.T. Torque Specs: 10-20 In/Lbs; 1.1-2.3 Nm
8	03555	1		DECAL, SAFETY
9	82376	4	/P	SCREW #8 X 1/2" S.T. Torque Specs: 10-20 In/Lbs; 1.1-2.3 Nm
10	003166	1	S	HOUSING, VOLUTE
11	06305A	1		DECAL, WARNING
12	03165	2	S/P	WASHER, FLAT
13	A00503A	1	S	FAN KIT BLOWER
14	03163	1	/P	WASHER, BELLVILLE 3/8
15	81124A	1	/P	NUT, HEX 3/8-24 Torque Specs: 130-150 In/Lbs; 14.9-17.2 Nm
16	00398	1	/P	LOOP WIRE
17	00368A	1	/P	LATCH, THROTTLE
18	00370	1	S/P	SPRING, THR. LATCH
19	00367	1	/P	TRIGGER, THROTTLE
20	00369A	1	/P	LEVER, THROTTLE
21	82538	1	/P	SCREW, #10-24 X 3/4" S.T. Torque Specs: 25-35 In/Lbs; 2.8-3.9 Nm
22	003158A	1	S	HOUSING, VOLUTE
23	A00813B	1	S	KIT SEALING
24	82563	6	/P	SCREW, #10 X 3/4" S.T. Torque Specs: 20-30 In/Lbs; 2.2-3.4 Nm
25	82376	3	/P	SCREW, #8 X 1/2" S.T. Torque Specs: 20-30 In/Lbs; 2.2-3.4 Nm
26	04439	1	/P	SHROUD, COV.
27	JA416903	1	/P	SCREW, #10 X 1 5/8" S.T. Torque Specs: 20-30 In/Lbs; 2.2-3.4 Nm
28	00393	1	/P	HANDLE, LOWER (Optional)
29	82348A	4	/P	SCREW, #8 X 1/2" S.T.P.H. (Optional); Torque Specs: 25-35 In/Lbs; 2.8-3.9 Nm
30	01283	2	S	"O" RING
31	PS82146	1	S/P	SCREW, #8-32 X 5/8" F.H.
32	DA98138B	1		STRAP, SHOULDER (Optional)
33	07045A	1		DECAL, THROTTLE
34	02916A	1		DECAL, WARNING



3000HB UT-26111-B
Engine Internal

Page 6 of 12

Ref #	Part Number	Qty	S/P/F	Description
1	A06263C	1		SHORT BLOCK
2	A07146D	1	S	CYLINDER
3	04388B	1	S/P	GASKET, CYLINDER
4	A06291B	1	S	PISTON & ROD
5	04933	1	/P	RING, PISTON
6	69250	1	/P	KEY, WOODRUFF
7	880841	3	S	SCREW, SEMS Torque Specs: 65-75 In/Lbs; 7.5-8.6 Nm
8	A040172	1	S	CRANKCASE COVER
9	98767A	1	/P	GASKET, CRANKCASE
10	04016B	1	/P	SHAFT STARTER
11	04589	1	/P	SPACER
12	00270B	1	S	BEARING, BALL
?13	98799	1	/P	RING, RETAINING
14	98800	1	/P	SEAL, SHAFT
15	04450	1	/P	BEARING, BALL
16	825551	4	S	SCREW, MACHINE 10-24 X 3/4" Torque Specs: 40-50 In/Lbs; 4.6-5.8 Nm
17	98792	3	/P	BUMPER, RUBBER



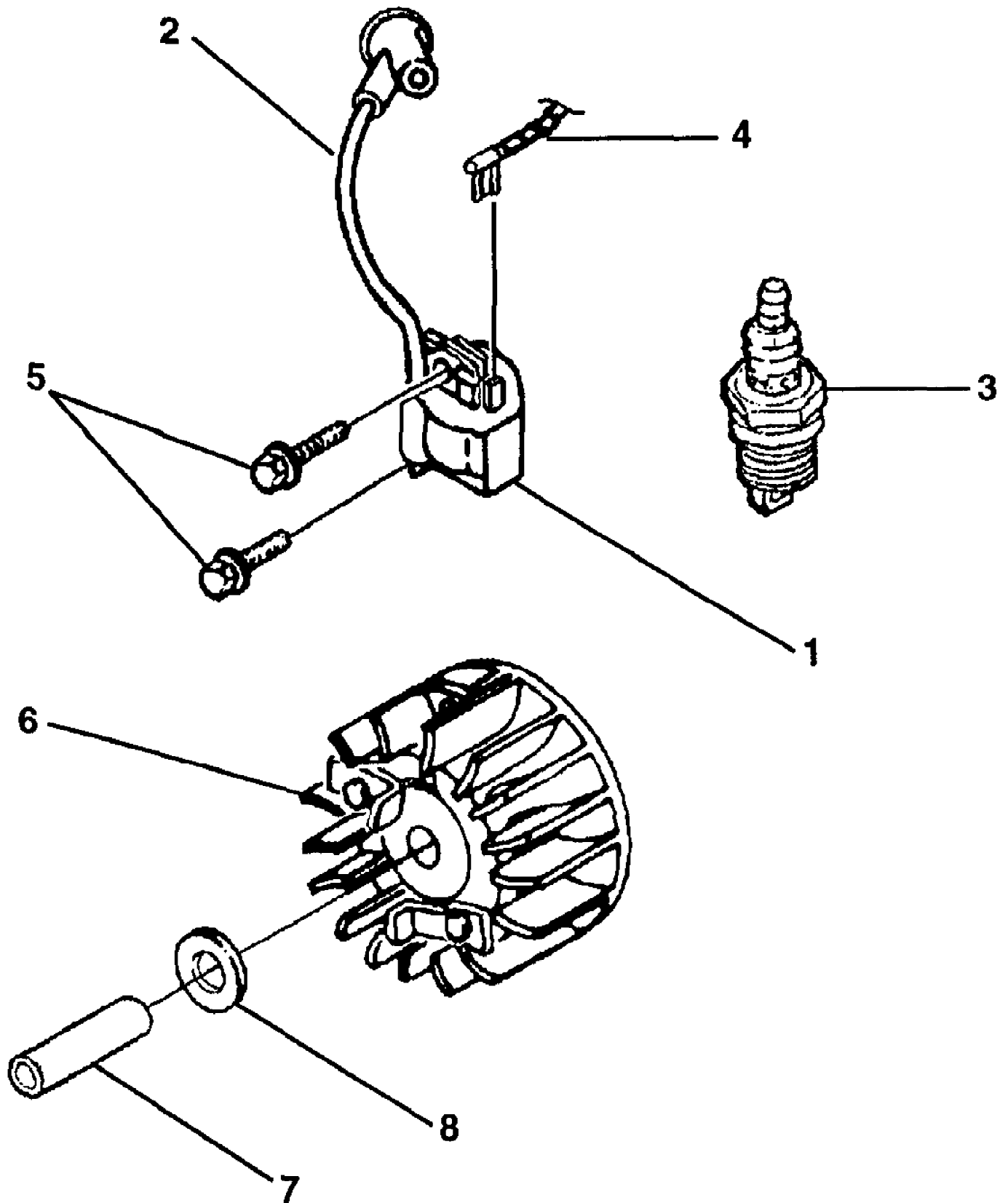
3000HB UT-26111-B
Fuel Tank

Page 8 of 12

Ref #	Part Number	Qty	S/P/F	Description
1	A04447D	1	S	FUEL TANK ASSY.
2	98792	1	/P	BUMPER, RUBBER
3	98268	1	S/P	CLAMP, FUEL LINE
4	0143932	1	S/P	TUBBING, FUEL
5	9477232	1	S	TUBBING, FUEL
6	49422	1	S	FUEL FILTER
7	A00099C	1	S/P	FUEL CAP

3000HB UT-26111-B
Ignition

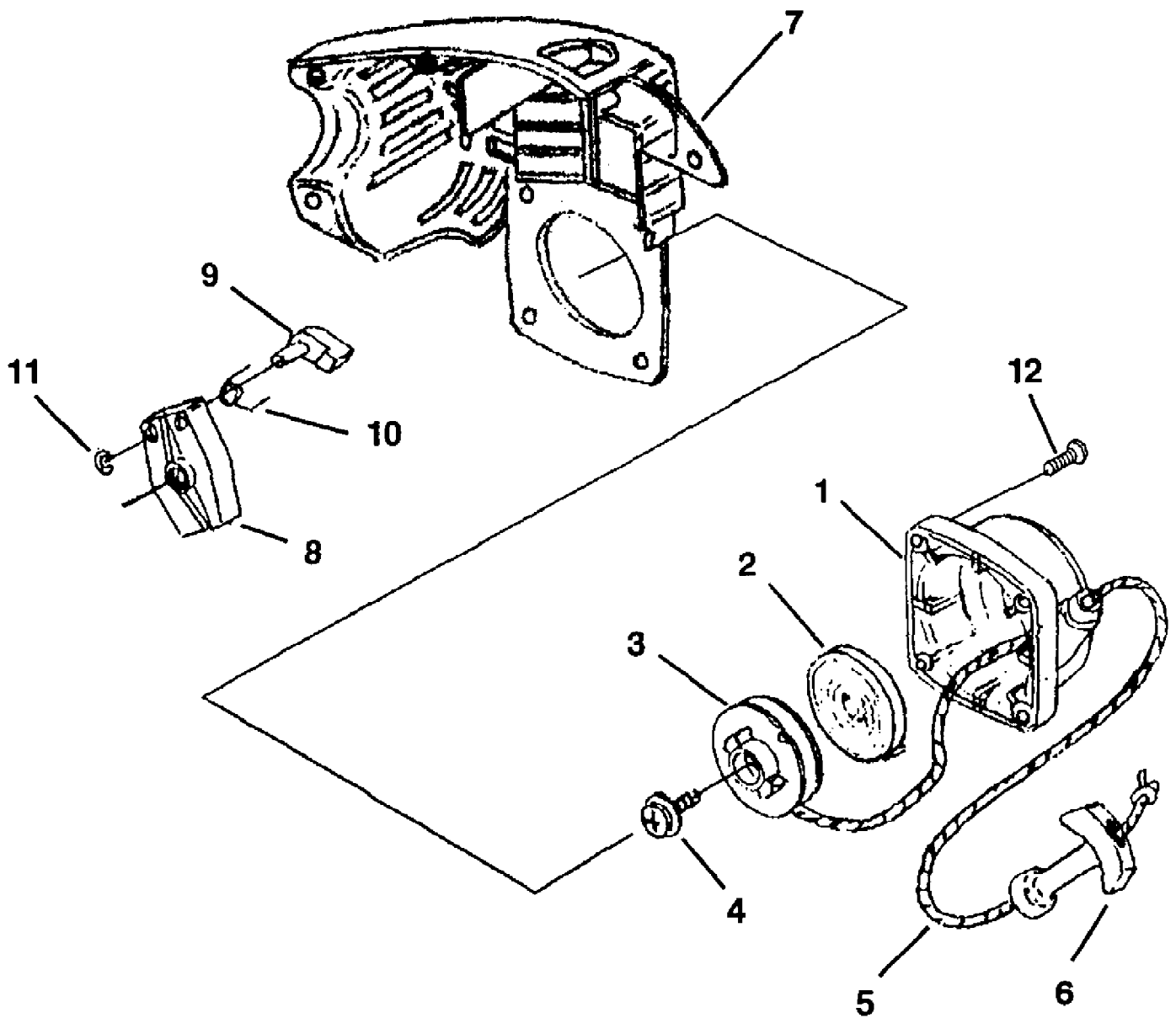
Page 9 of 12



3000HB UT-26111-B
Ignition

Page 10 of 12

Ref #	Part Number	Qty	S/P/F	Description
1	A04446	1	S	IGNITION MODULE
2	A33055	1	/P	TERMINAL, BOOT
3	96169S	1	S	SPARK PLUG (DJ-7Y)
4	A03924	1	S	LEAD WIRE W/TERM.
5	82540	2	/P	SCREW 8-32 X 1" Torque Specs: 30-40 In/Lbs; 3.5-4.6 Nm
6	A04158S	1	S	ROTOR
7	PS03566	1	S/P	SPACER, FAN
8	95479A	1	/P	WASHER, FLAT



3000HB UT-26111-B
Starter

Page 12 of 12

Ref #	Part Number	Qty	S/P/F	Description
	A04069	1		STARTER ASSY.
1	0406901	1		HOUSING, STARTER
2	0406906	1	S	SPRING, RECOIL
3	0406905	1	S	PULLEY, STARTER
4	0406904	1	/P	SCREW Torque Specs: 25-35 In/Lbs; 2.8-3.9 Nm
5	0406903	1	/P	ROPE, STARTER
6	0406902	1	/P	GRIP, STARTER
7	04439	1	/P	SHROUD, COVER
8	A04018	1	S	CUP, STARTER
9	0401802	1	S	PAWL, STARTER
10	0401803	1	S	SPRING, STARTER PAWL
11	0401804	1	S	RING, RETAINER
12	82538	4	/P	SCREW Torque Specs: 40-50 In/Lbs; 4.6-5.8 Nm