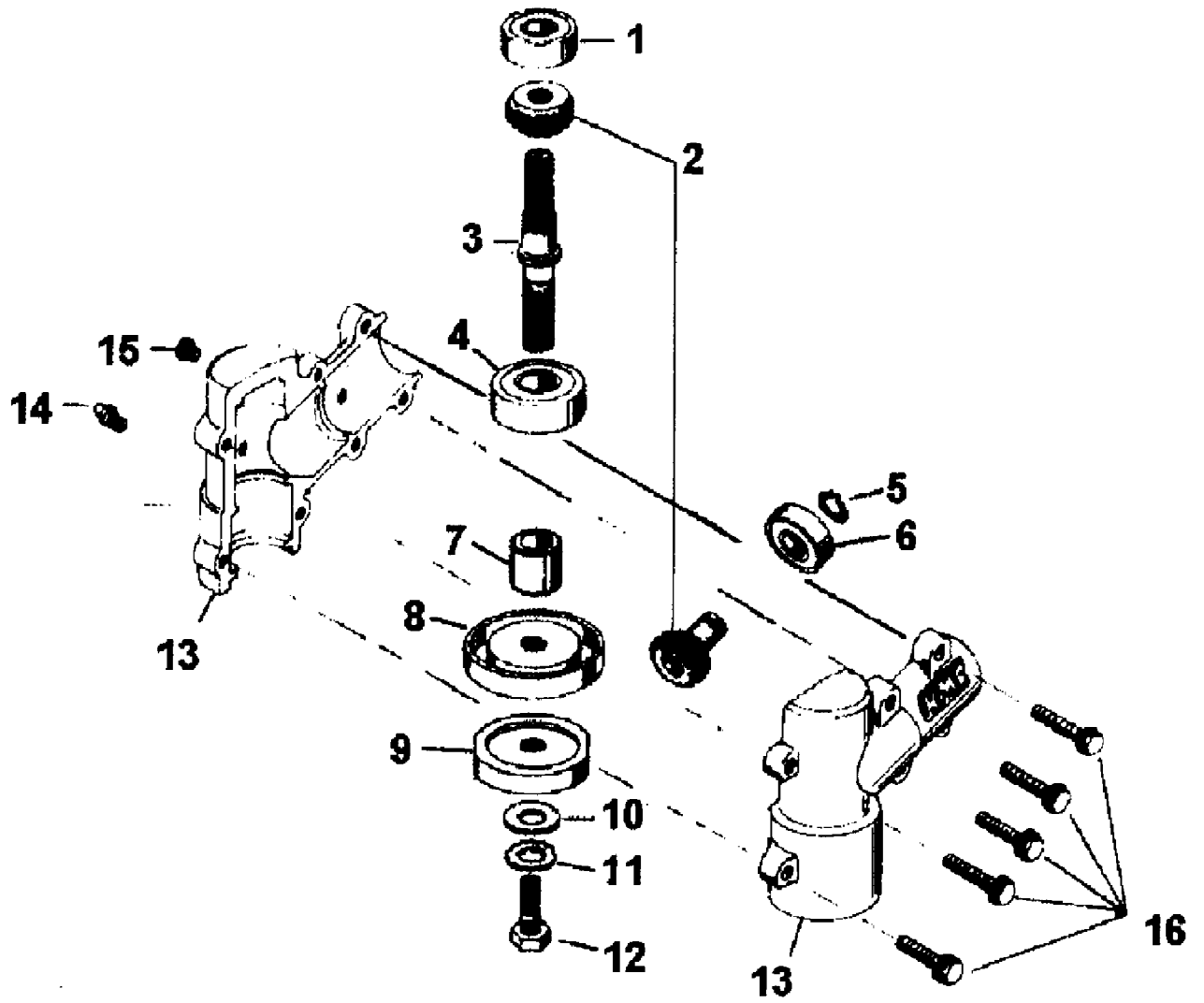


2851 UT-26307
Driveshaft & Guard Assembly

Page 2 of 4

Ref #	Part Number	Qty	S/P/F	Description
1	A08199	1	S	TUBE ASSY
2	A08420	1	S	FLEX CABLE
3	GM300190	1		SPANNER WRENCH
4	GM237001	1	S	EDGER BLADE
5	GM237604	1		SCREW, ALLEN HEAD Torque Specs: 30-40 In/Lbs; 3.5-4.6 Nm
6	GM280640	1	/P	SHAFT AND KNOB
7	08290	1	/P	KNOB
8	GM236907	1		COTTER PIN
9	96102	1		WASHER, FLAT
10	GM235102	1		WHEEL
11	96102	1		WASHER, FLAT
	A08162	1	S/P	EDGER GUARD ASSY.
12	GM051017	1	S	NUT Torque Specs: 150-200 In/Lbs; 17.3-23 Nm
13	GM041007	1		WASHER, FLAT
14	08095	1	/P	GUARD, EDGER
15	GM237610	1		EDGER AXLE
16	GM236909	1	/P	SHIELD, EDGER
17	82459	3	/P	SCREW, SELF TAPPING Torque Specs: 40-50 In/Lbs; 4.6-5.8 Nm
18	A08161	1		DRAG FLAP KIT
19	GM236110	1		BRACKET
20	GM300070	1		HOLDER A
21	GM300075	1	S	HOLDER B
22	GM041003	1	/P	WASHER, FLAT
23	GM040007	1	S	WASHER, LOCK
24	GM300080	1	S	BOLT, L.H. THREAD Torque Specs: 55-65 In/Lbs; 6.2-7.3 Nm



2851 UT-26307
Edger Attachment

Page 4 of 4

Ref #	Part Number	Qty	S/P/F	Description
	GM270303	1	S	GEARCASE ASSY, COMPLETE
1	GM070027	1		BEARING
2	GM190609	1	/P	GEAR SET
3	GM226706	1		SHAFT, GEAR
4	GM070002	1		BEARING
5	GM060020	1	S	RING
6	GM070026	1	S	BEARING
7	GM226705	1		COLLAR
8	GM300070	1		HOLDER A
9	GM300075	1	S	HOLDER B
10	GM041003	1	/P	WASHER, FLAT
11	GM040007	1	S	WASHER, LOCK
12	GM300080	1	S	BOLT Torque Specs: 55-65 In/Lbs; 6.2-7.3 Nm
13	GM270306	1		HOUSING SET
14	GM286710	1		FITTING, ZERK
15	82459	1	/P	SCREW, SELF TAPPING Torque Specs: 35-55 In/Lbs; 4-5 Nm
16	GM011309	5	S	SCREW, SELF TAPPING Torque Specs: 55-65 In/Lbs; 6.2-7.3 Nm