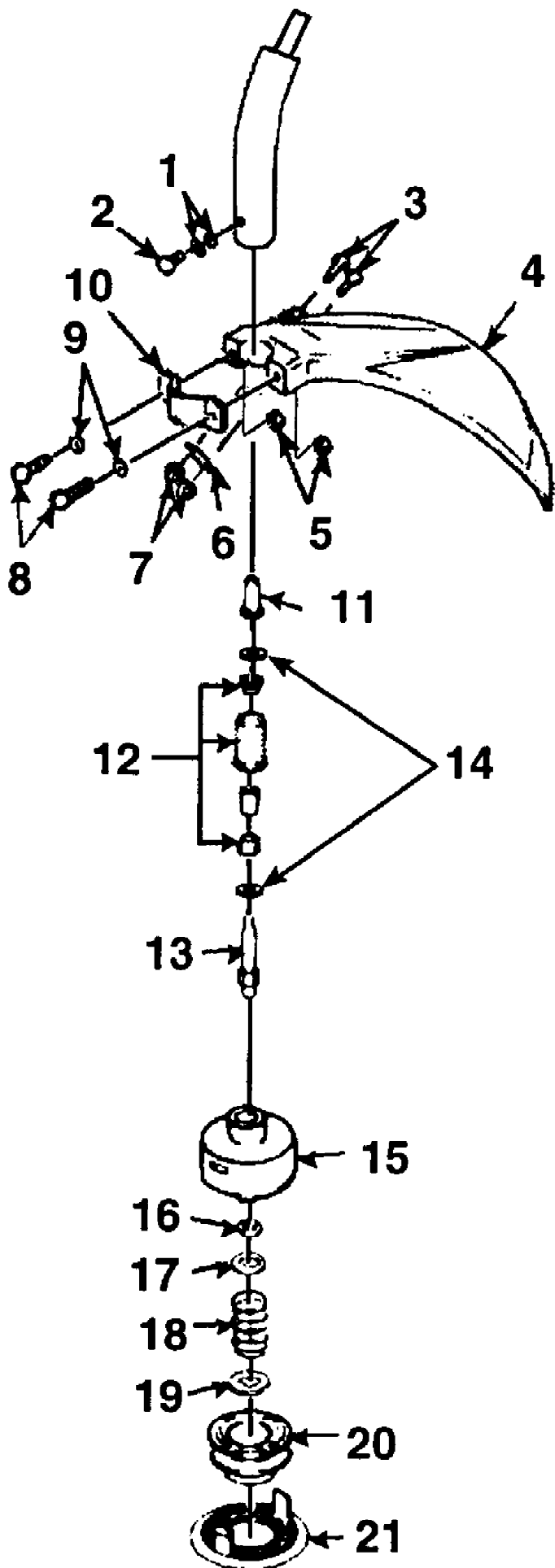
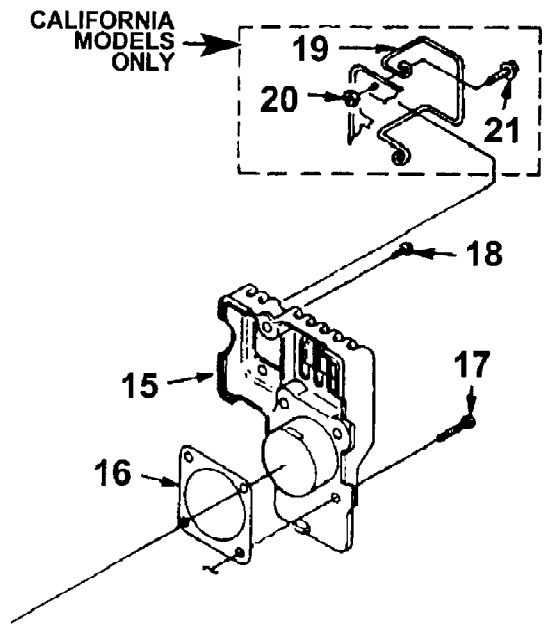
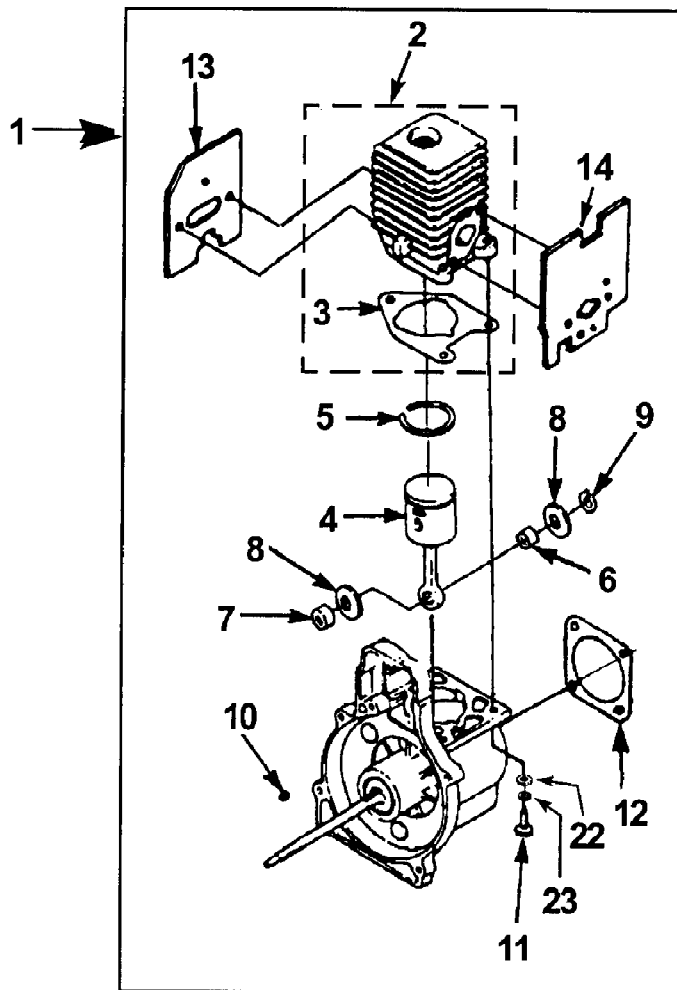


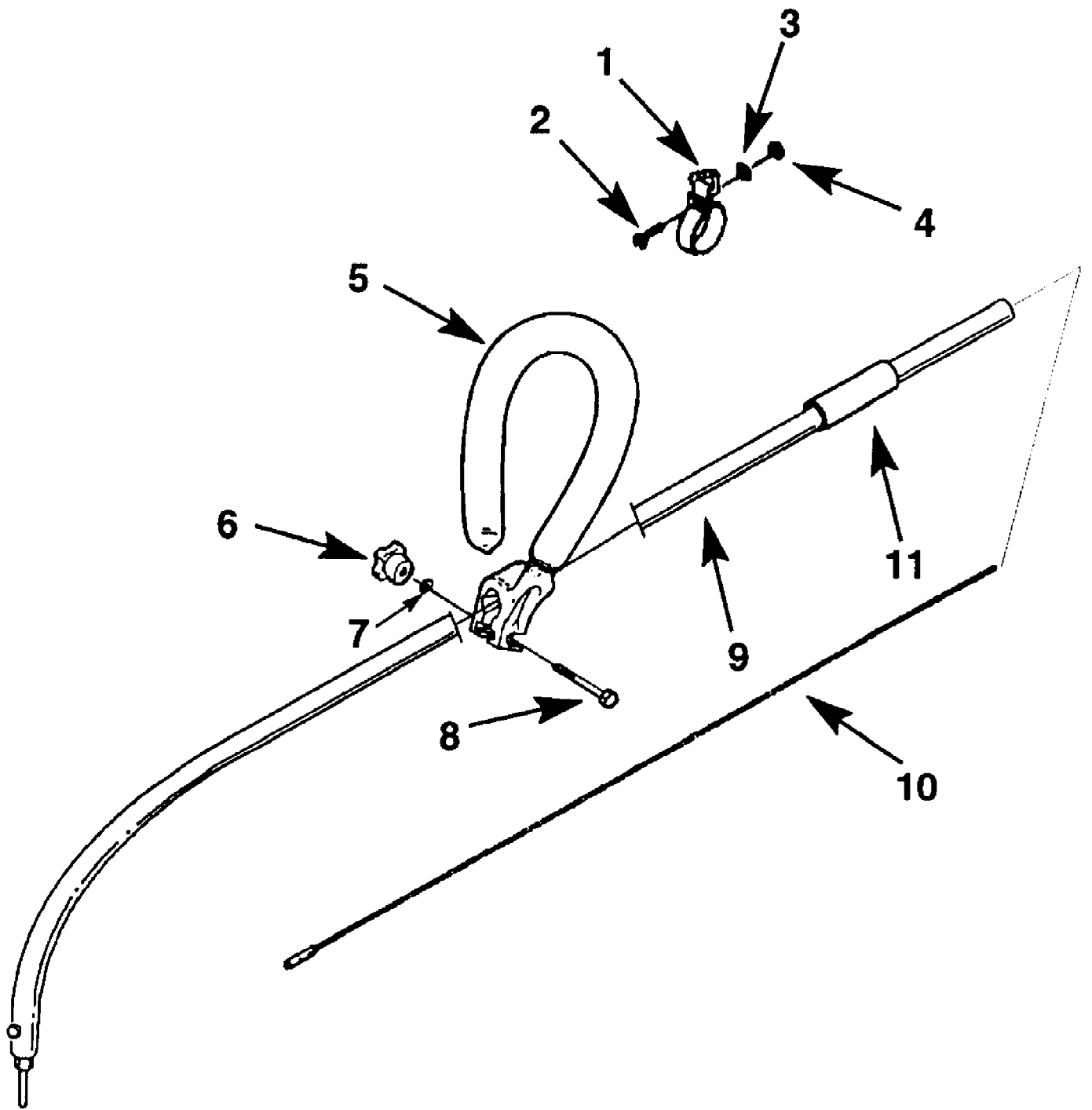
Ref #	Part Number	Qty	S/P/F	Description
1	A04447D	1	S	Fuel Tank
2	49422	1	S	Filter-Fuel
3	0143932	1	S/P	Tubing-Rubber (8")
4	9477232	1	S	Tubing-Rubber (8")
5	98268	1	S/P	Clamp-Wire
6	A00982B	1	S	Fuel Cap
7	98792	3	/P	Bumper-Rubber
8	A04707A	1	/P	Air Filter Kit
9	D98760B	1	S	Air Filter
10	88060	2	S/P	Screw-Sems Hex Hd (10-24 x 2 1/2") Torque Specs: 30-40 In/Lbs; 3.4-4.5 Nm
11	A04445A	1	/P	Carburetor
12	98766A	1	S/P	Gasket, Carburetor Also included in Short Block & Cylinder Kit
13	093221	2	S/P	Screw, Sems (10-24 x 1") Torque Specs: 73-83 In/Lbs; 8.2-9.4 Nm
14	00864B	1	S	Heat Dam
15	08840	1	/P	Heat Dam Gasket Also included in Short Block & Cylinder Kit
16	81208	2	/P	Nut-Hex (10-24)



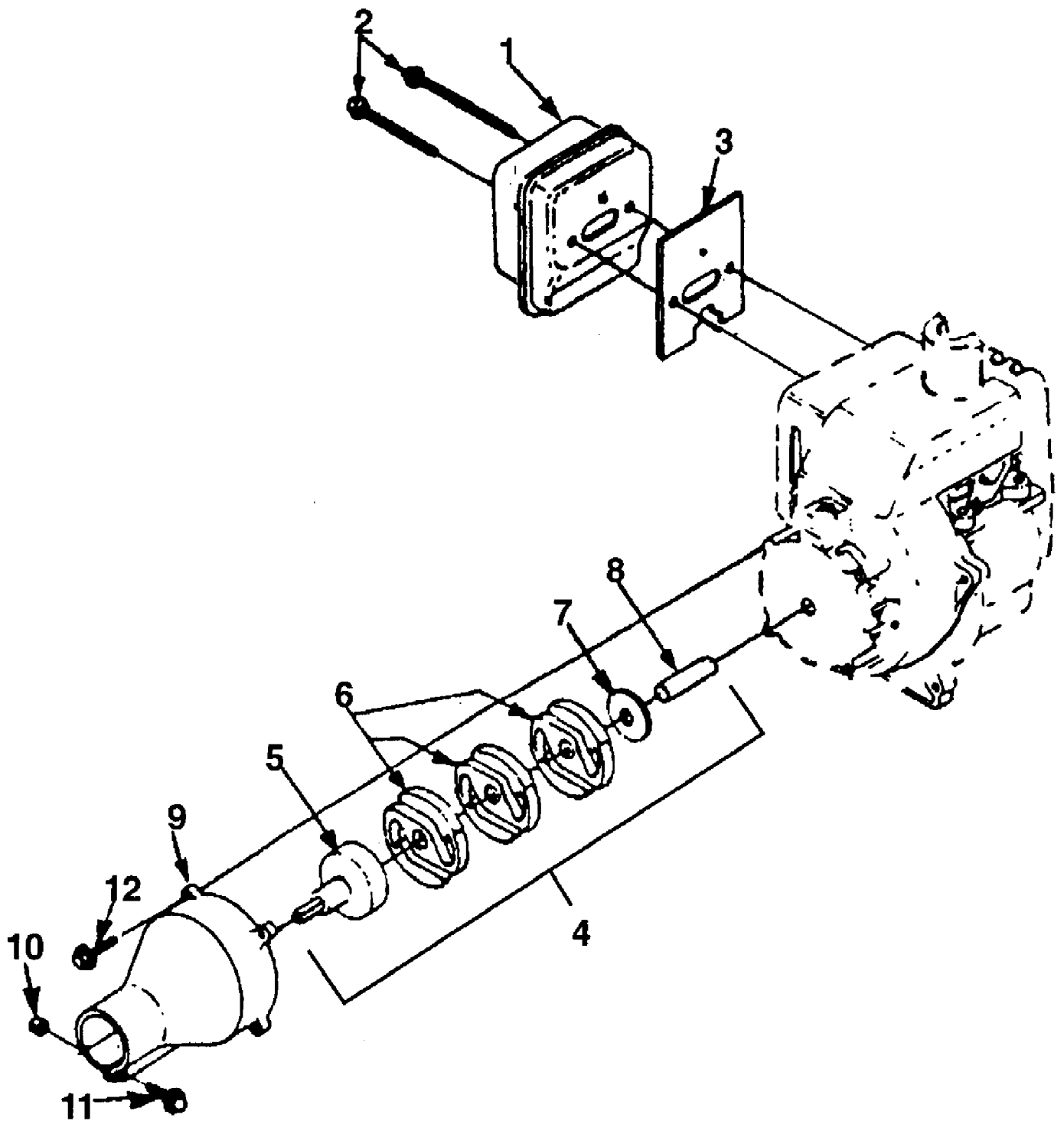
Ref #	Part Number	Qty	S/P/F	Description
1	GM041101	2	/P	Washer
2	GM011402	1		Screw Torque Specs: 30-40 In/Lbs; 3.4-4.5 Nm
	GM160306	1		Head Shield Assembly
3	GM011402	2		Screw Torque Specs: 15-20 In/Lbs; 1.7-2.3 Nm
4	GM165206	1		Deflector
5	GM051002	2	S	Nut Torque Specs: 25-35 In/Lbs; 2.8-3.9 Nm
6	GM166901	1		Blade, Cut-Off
7	GM051001	2		Nut Torque Specs: 15-20 In/Lbs; 1.7-2.3 Nm
8	GM011417	2	/P	Screw Torque Specs: 25-35 In/Lbs; 2.8-3.9 Nm
9	GM040002	2		Washer
10	GM166902	1		Bracket Clamp
	A09121	1		Arbor/Bushing Assembly
11	GM166501	1	/P	Adapter, Arbor Torque Specs: 40-50 In/Lbs; 4.5-5.6 Nm
12	A09119	1		Bushing Assembly
13	09199	1		Arbor Post Torque Specs: 40-50 In/Lbs; 4.5-5.6 Nm
14	00118	2		Thrust Washer
	DG07795	1	/P	3" Head Assembly
15	GM160310	1	/P	3" Head Body
16	GM167602	1		Pal Nut
17	GM166903	1		Plate, Spring
18	GM167901	1	S	Spring
19	GM166903	1		Plate, Spring
20	GM165209	1	/P	3" Spool
21	GM165208	1	S	3" Head Cap
	DG07810	1	S/P	3" Spool With Line Optional Accessories (Not Shown)
	DG07819	1	/P	Shoulder Strap Optional Accessories (Not Shown)
	G07830	1		EXACT-MIX 2 cyl. Oil Optional Accessories (Not Shown)



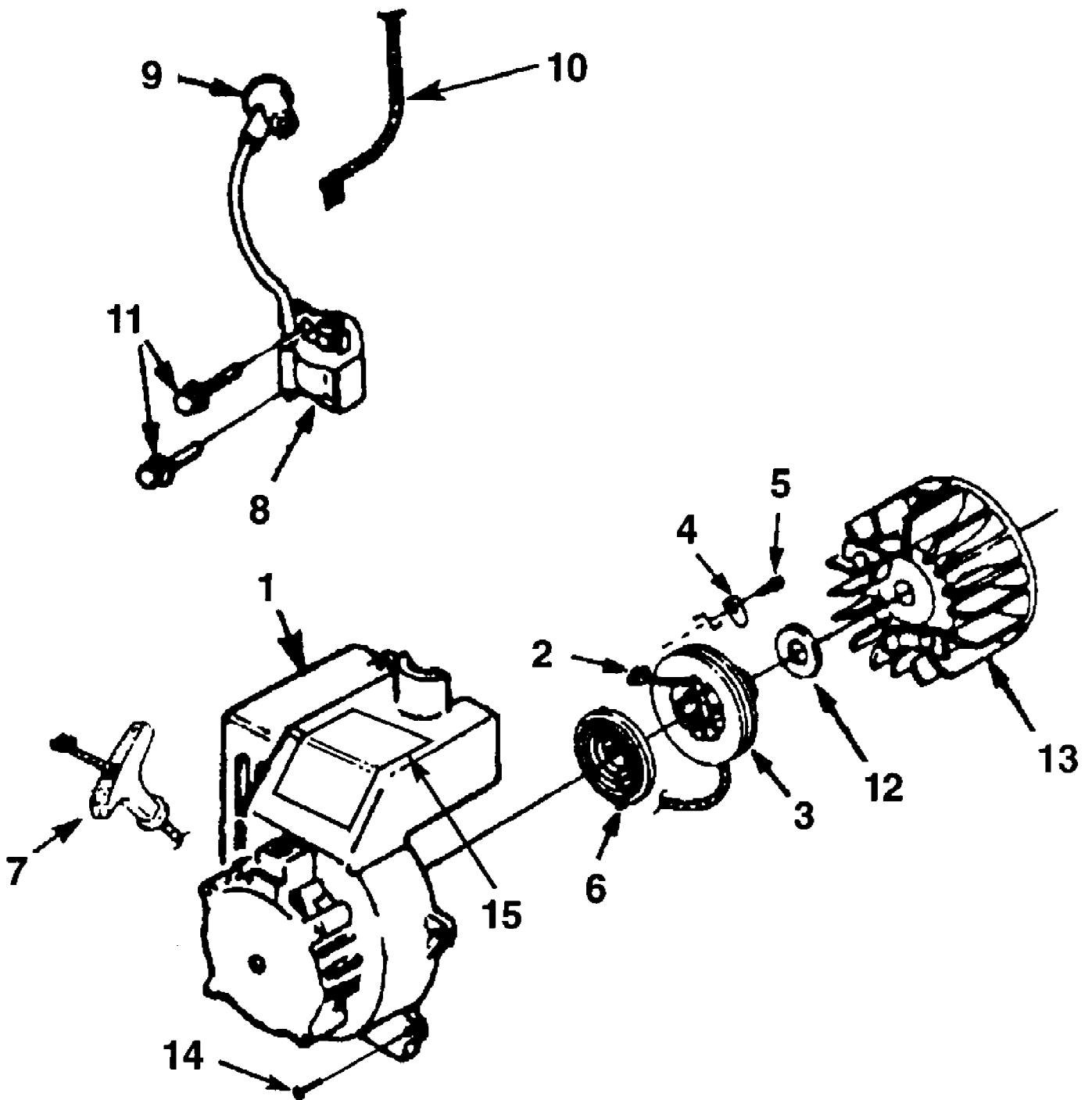
Ref #	Part Number	Qty	S/P/F	Description
1	UP02880	1	S/P	Short Block
2	UP07146	1	S/P	Cylinder & Gasket
3	04388B	1	S/P	Cylinder Gasket
4	A06291B	1	S	Piston & Rod
5	04933	1	/P	Piston Ring
6	02461	1		Needle Bearing
7	04860	1		Spacer
8	00118	1		Thrust Washer
9	03796	1		Retaining Ring
10	69250	1	/P	Woodruff Key
11	880841	3	S	Screw, Sems (12-24 x 3/4") Torque Specs: 65-75 In/Lbs; 7.3-8.5 Nm
12	08661	1	/P	Crankcase Gasket Also included in Cylinder Kit
13	08846	1	/P	Muffler Gasket Also included in Cylinder Kit
14	08840	1	/P	Heat Dam Gasket Also included in Cylinder Kit
15	A00858	1	/P	Crankcase Cover
16	08661	1	/P	Crankcase Gasket Also included in Cylinder Kit
17	880811	4	/P	Screw-Taptite (10-24 x .910) Torque Specs: 55-60 In/Lbs; 6.2-6.8 Nm
18	82541	4	/P	Screw-Plastite (10 x 1/2") Torque Specs: 30-40 In/Lbs; 3.4-4.5 Nm
19	A00254A	1	/P	Wire Guard Kit
20	81208	2	/P	Nut (10-24)
21	88049	2	/P	Screw-Sems Hex Hd. (10-24 x 1/2") Torque Specs: 30-40 In/Lbs; 3.4-4.5 Nm
22	84115	3	S/P	Washer, Flat
23	83056	3		Washer, Lock



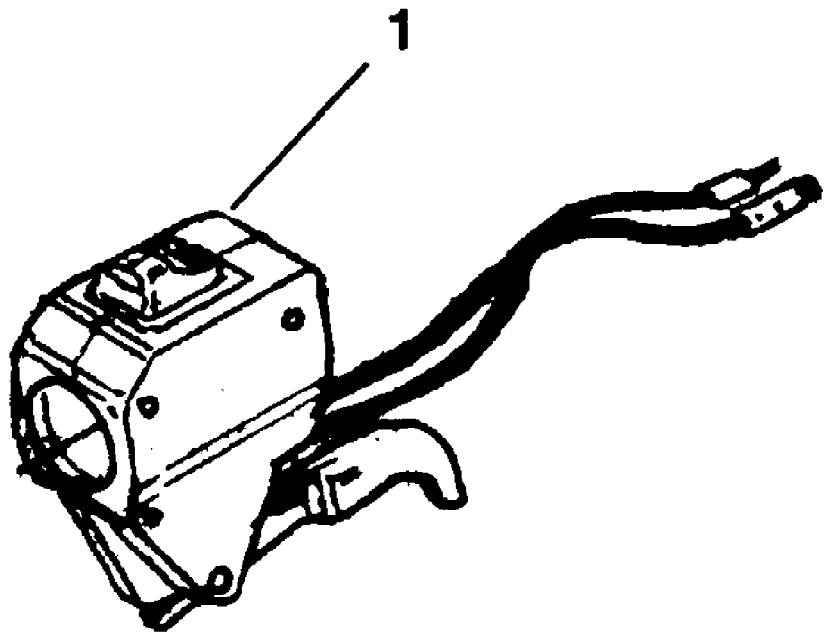
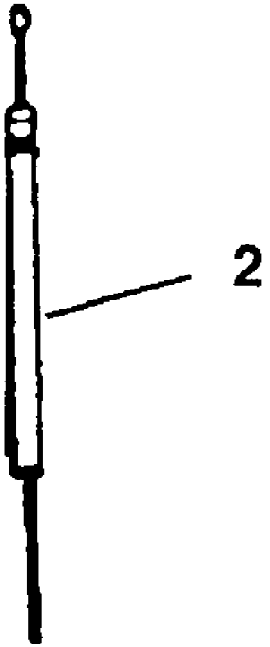
Ref #	Part Number	Qty	S/P/F	Description
1	GM300245	1	S	Hanger Assembly
2	GM010002	1	/P	Screw Torque Specs: 5-30 In/Lbs; .5-3.4 Nm
3	GM041101	1	/P	Washer
4	GM050003	1		Nut Torque Specs: 5-30 In/Lbs; .5-3.4 Nm
5	GM300302	1		Handle Assembly
6	08290	1	/P	Knob Torque Specs: 25-35 In/Lbs; 2.8-4.0 Nm
7	84006	1	/P	Washer
8	80295	1	/P	Bolt Torque Specs: 25-35 In/Lbs; 2.8-4.0 Nm
9	A08947	1		Tube Assembly W/Bushing
10	07486	1		Driveshaft Cable
11	03234A	1	/P	Grip



Ref #	Part Number	Qty	S/P/F	Description
1	A04837	1	/P	Complete Muffler
2	88060	2	S/P	Screw-Sems Hex Hd. Torque Specs: 30-40 In/Lbs; 3.4-4.5 Nm
3	98786C	1	/P	Muffler Gasket Also included in Short Block & Cylinder Kit
4	A04655	1		Clutch & Drum Kit
5	A03485B	1	S	Drum & Connector Torque Specs: 40-50 In/Lbs; 4.5-5.6 Nm
6	00242	3	/P	Clutch Torque Specs: 90-110 In/Lbs; 10.1-12.4 Nm
7	98929A	1	S/P	Washer, Clutch
8	PS035661	1	/P	Spacer
9	A02396A	1	/P	Tube Adapter Kit
10	81208	1	/P	Nut, Lock
11	96624	1	/P	Screw (10-24 X 1 1/8") Torque Specs: 40-50 In/Lbs; 4.5-5.6 Nm
12	88052	4	/P	Screw (10-24 X 7/8") Torque Specs: 40-50 In/Lbs; 4.5-5.6 Nm



Ref #	Part Number	Qty	S/P/F	Description
1	A08987	1		Starter/Engine Housing
2	9789902	1	S/P	Starter Rope (42")
3	98770A	1	/P	Starter Pulley
4	98791	2	/P	Retaining Bracket
5	82541	2	/P	Screw-Plastite (10 X 1/2") Torque Specs: 30-40 In/Lbs; 3.4-4.5 Nm
6	A98773A	1	S/P	Spring & Container
7	02264	1	S	Starter Grip
8	94711CS	1	/P	Ignition Module
9	A33055	1	/P	Terminal & Cover
10	A00681	1		Electrical Lead
11	82540	2	/P	Screw-Thread Forming (8-32 X 1") Torque Specs: 30-40 In/Lbs; 3.4-4.5 Nm
12	95479A	1	/P	Flat Washer
13	A04158S	1	S	Rotor & Starter Pawls
14	82538	4	/P	Screw-Thread Forming (10-24 X 3/4") Torque Specs: 25-35 In/Lbs; 2.8-3.9 Nm
15	0798802	1		Model Decal



Ref #	Part Number	Qty	S/P/F	Description
1	A08423B	1	S	Throttle Assembly
2	0254206	1	S	Throttle Cable
