

Green Machine®

OWNER'S MANUAL

**MODEL 4600bp
UT26110**

SERIAL NO.

IMPORTANT NOTE: USE THE ABOVE BOX TO FILL IN YOUR MODEL'S SERIAL NUMBER FOR YOUR RECORDS.

ASSEMBLY AND OPERATING INSTRUCTIONS

GREEN MACHINE® - LIMITED WARRANTY

The manufacturer warrants to the original retail purchaser that this Product is free from defects in material and workmanship and agrees to repair or replace at Manufacturer's discretion, any defective product free of charge within these time periods from the date of purchase:

- **Two year, if the Product is used for personal, family, or household use;**
- **One year, if the Product is used for commercial or any other use.**

This warranty is not transferable and does not cover damage resulting from defects other than in material or workmanship or damage caused by unreasonable use, including the failure to provide reasonable and necessary maintenance. In addition, this warranty does not cover general check-ups on electrical equipment, tune-ups on gasoline engines, or replacement of non-defective parts (such as electrical brushes, cables, plugs, spark plug, filters, starter ropes, etc.) that may wear and need to be replaced with reasonable use within the warranty period or which may require replacement in connection with normal maintenance. This warranty applies only to products sold within the United States of America, the District of Columbia, Canada, Mexico, the Commonwealth of Puerto Rico, the Virgin Islands, Guam, the Canal Zone, or American Samoa.

SAVE YOUR SALES SLIP

Proof of purchase in the form of your dated sales receipt, cash register slip, etc. showing the serial number and the model of your Product will be required before our dealers can perform warranty service on the Product. You must at your own expense arrange to deliver or ship the Product for warranty repairs and arrange for pickup or return of the Product after repairs have been made.

This warranty does not apply to any trade accessory, engine or electric motor which is separately warranted by another manufacturer and not manufactured by the manufacturer.

THIS LIMITED WARRANTY IS IN LIEU OF ALL OTHER EXPRESS WARRANTIES. ANY IMPLIED WARRANTY OF FITNESS FOR A PARTICULAR PURPOSE, MERCHANTABILITY OR OTHERWISE, APPLICABLE TO THIS PRODUCT, SHALL BE LIMITED IN DURATION TO THE DURATION OF THIS LIMITED WARRANTY. THE MANUFACTURER SHALL NOT BE LIABLE FOR ANY SPECIAL, INCIDENTAL OR CONSEQUENTIAL DAMAGES, OR DAMAGES caused by unreasonable use, including the failure to provide reasonable and necessary maintenance. In addition, this warranty does not cover general check-ups on electrical equipment, tune-ups on gasoline engines or replacement of non-defective parts (such as electrical brushes, cables, plugs, spark plugs, filters, starter ropes, etc.) that may wear and need to be replaced with reasonable use within the warranty period or which may require replacement in connection with normal maintenance. This warranty applies only to products sold within the United States of America, the District of Columbia. **LIMITATIONS ON HOW LONG AN IMPLIED WARRANTY LASTS, SO THE ABOVE LIMITATION MAY NOT APPLY TO YOU. SOME STATES DO NOT ALLOW THE EXCLUSION OR LIMITATION OF INCIDENTAL OR CONSEQUENTIAL DAMAGES, SO THE ABOVE LIMITATION OR EXCLUSION MAY NOT APPLY TO YOU.**

HOW TO OBTAIN WARRANTY SERVICE

Warranty service can be obtained from a GREEN MACHINE® dealer authorized to make warranty repairs. If you need warranty service, check first with the dealer from whom you purchased the Product. **FOR WARRANTY SERVICE INFORMATION OUTSIDE THE USA PLEASE CONTACT YOUR LOCAL GREEN MACHINE® DEALER.**

The manufacturer will not make any reimbursements for warranty service, except to Green Machine® dealers authorized to make warranty repairs. You must present your sales receipt when making any claim for warranty service.

This warranty gives you specific legal rights, and you may also have other rights which vary from state to state.

This warranty is given by Homelite, Inc., Post Office Box 7047, Charlotte, North Carolina 28241.

Green Machine®
by John Deere

P.O. Box 7047
14401 Carowinds Blvd.
Charlotte, NC 28241

P/N 19657

**CALIFORNIA EMISSION CONTROL WARRANTY
YOUR RIGHTS AND OBLIGATIONS**

The California Air Resources Board and Homelite are pleased to explain the emission control system warranty on your lawn and garden equipment engine certified to 1995-1998 California emission standards. In California, new lawn and garden equipment engines must be designed, built, and equipped to meet the State's stringent anti-smog standards. Homelite must warrant the emission control system on your engine for the period of time listed below provided that there has been no abuse, neglect, or improper maintenance of your engine. Your emission control system includes the carburetor, spark plug, and ignition module.

Where a warrantable condition exists, Homelite will repair your engine at no cost to you including diagnosis, parts, and labor.

WARRANTY COVERAGE:

The 1995 and later lawn and garden equipment engines are warranted for two years. If any emission related part on your engine is defective, the part will be repaired or replaced by Homelite, Inc.

OWNER'S WARRANTY RESPONSIBILITIES:

As the lawn and garden equipment engine owner, you are responsible for the performance of the required maintenance listed in your owner's manual. Any Homelite approved replacement part may be used in the performance of any warranty maintenance or repair. Homelite recommends that you retain all receipts covering maintenance on your lawn and garden equipment engine, but Homelite cannot deny warranty solely for the lack of receipts or for your failure to ensure the performance of all scheduled maintenance.

As the lawn and garden equipment engine owner, you should be aware, however, that Homelite may deny you warranty coverage if your lawn and garden equipment engine or a part has failed due to abuse, neglect, improper maintenance, or unapproved modifications.

You are responsible for presenting your lawn and garden equipment engine to a Homelite Authorized Servicing Dealer as soon as a problem exists. The warranty repairs should be completed in a reasonable amount of time, not to exceed 30 days.

If you have any questions regarding your warranty rights and responsibilities, you should contact Green Machine® Customer Representative at 1-704-588-3200.

LENGTH OF WARRANTY:

The warranty period begins on the date the equipment is delivered to the initial retail purchaser. Homelite warrants to the initial purchaser and each subsequent purchaser that the engine is free from defects in materials and workmanship which cause the failure of a warranted part for a period of two years from the time the initial warranty period begins.

WHAT IS COVERED:

Repair or replacement of any warranted part will be performed at no charge to the owner at any Green Machine® Authorized Servicing Dealer. The dealer nearest you may be located by calling 1-800-242-4672.

Any warranted part which is not scheduled for replacement as required maintenance, or which is scheduled only for regular inspection is warranted for the warranty period. Any warranted part which is scheduled for replacement as required maintenance is warranted for the period of time up to the first scheduled replacement point.

The owner will not be charged for diagnostic labor which leads to the determination that a warranted part is defective provided the diagnostic work is performed at a Green Machine® Authorized Servicing Dealer.

Homelite is liable for damages to other engine components caused by the failure of a warranted part still under warranty.

WHAT IS NOT COVERED:

Failures caused by abuse, neglect, or improper maintenance are not covered by this warranty. Use of stale fuel, improper oil mix, or fuel left in the engine for longer than three months are considered abuse and neglect.

Homelite is not responsible for covering warranty failures that are caused by the use of add-on or modified parts.

HOW TO FILE A CLAIM:

Take your engine to a Green Machine® Authorized Servicing Dealer. If you are unable to obtain the required warranty service, call 1-704-588-3200 for instructions.

This warranty is in addition to the Limited Warranty provided with the equipment.

This Limited Warranty is in lieu of all other express warranties. Any implied warranty of fitness for a particular purpose, merchantability or otherwise, applicable to this product, shall be limited in duration to the duration of this Limited Warranty. Homelite shall not be liable for any special, incidental or consequential damages.

Some states do not allow limitations on how long an implied warranty lasts, so the above limitation may not apply to you. Some states do not allow the exclusion or limitation of incidental or consequential damages, so the above limitation or exclusion may not apply to you.

**EMISSIONS MAINTENANCE SCHEDULE AND
WARRANTED PARTS LIST**

EMISSION PARTS	EVERY 5 HOURS CLEAN	EVERY 25 HOURS OR YEARLY	
		REPLACE	CLEAN
AIR FILTER ASSY INCLUDES: FILTER	X	X	
SPARK SCREEN			X
CARBURETOR ASSY INCLUDES: HEAT DAM GASKETS			
FUEL TANK ASSY INCLUDES: FUEL LINES FUEL CAP FUEL FILTER			
IGNITION ASSY INCLUDES: SPARK PLUG SWITCH LEAD		X	

ALL EMISSIONS - RELATED PARTS ARE WARRANTED FOR TWO YEARS OR FOR THE PERIOD OF TIME PRIOR TO THE PARTS FIRST SCHEDULED REPLACEMENT WHICH EVER COMES FIRST.



Warning: FOR SAFE OPERATION, READ THESE INSTRUCTIONS BEFORE USING YOUR BLOWER. FOLLOW ALL INSTRUCTIONS FOR SAFETY.

SAFETY INSTRUCTIONS

SAVE THESE INSTRUCTIONS!

OPERATION

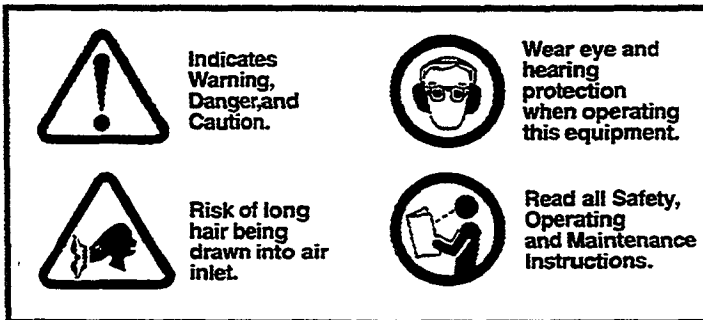
- **DO NOT ALLOW CHILDREN OR UNTRAINED INDIVIDUALS TO USE THIS UNIT.**
- Never start or run this blower inside a closed area, breathing exhaust fumes can kill.
- Always hold blower as shown in the "Operation Instructions".
- Never operate unit without a spark arrestor screen (located inside the muffler).
- Make sure unit is properly assembled and in good operating condition. Do not operate without guard(s) in place.
- **Do not attempt to install or remove attachments, make repairs or remove obstruction from the fan housing while engine is running.**
- **PRODUCT USERS ON UNITED STATES FOREST SERVICE LAND, AND IN SOME STATES, MUST COMPLY WITH FIRE PREVENTION REGULATIONS. THIS PRODUCT IS EQUIPPED WITH A SPARK ARRESTOR; HOWEVER, OTHER USER REQUIREMENTS MAY APPLY. CHECK WITH YOUR FEDERAL, STATE, OR LOCAL AUTHORITIES.**
- **FOLLOW THESE INSTRUCTIONS TO REDUCE THE RISK OF INJURY:**
 - **WEAR FULL EYE AND HEARING PROTECTION WHILE OPERATING THIS BLOWER.**
 - Wear heavy long pants, shoes, and gloves.
 - Do not wear loose clothing or jewelry.
 - Secure long hair so it is above the shoulder.
 - Keep all bystanders, children, and pets at least 50 feet (15m) away.
 - Do not operate this blower when tired, ill, or under the influence of alcohol, drugs, or medication.
 - Do not operate in poor lighting.
 - Do not point blower in direction of people or pets.
 - Keep firm footing and balance. Do not overreach.
 - Keep all parts of your body away from hot surfaces.
 - Wear a face mask/respirator in dusty conditions to reduce the risk of injury associated with the inhalation of dust.
- **ALWAYS STOP ENGINE AND REMOVE SPARK PLUG WIRE BEFORE MAKING ANY ADJUSTMENTS OR REPAIRS EXCEPT CARBURETOR ADJUSTMENTS.**

MAINTENANCE

- Use Green Machine® replacement parts. Failure to do so may cause poor performance and possible injury.
- Maintain the unit per maintenance instructions in the Owner's Manual.
- Inspect unit before each use for loose fasteners, fuel leaks, etc. Replace damaged parts.
- Before storing, allow the engine to cool.
- Empty fuel tank and restrain the unit from moving before transporting in a vehicle.

REFUELING (DO NOT SMOKE!)

- Mix and store fuel in a container approved for gasoline.
- Mix fuel outdoors where there are no sparks or flames.
- Select bare ground, stop engine and allow to cool before refueling.
- Loosen fuel cap slowly to release pressure and to keep fuel from escaping around the cap.
- Wipe spilled fuel from the unit. Move 10 feet away from refueling site before starting engine.



TECHNICAL SPECIFICATIONS

Specifications are subject to change without notice.

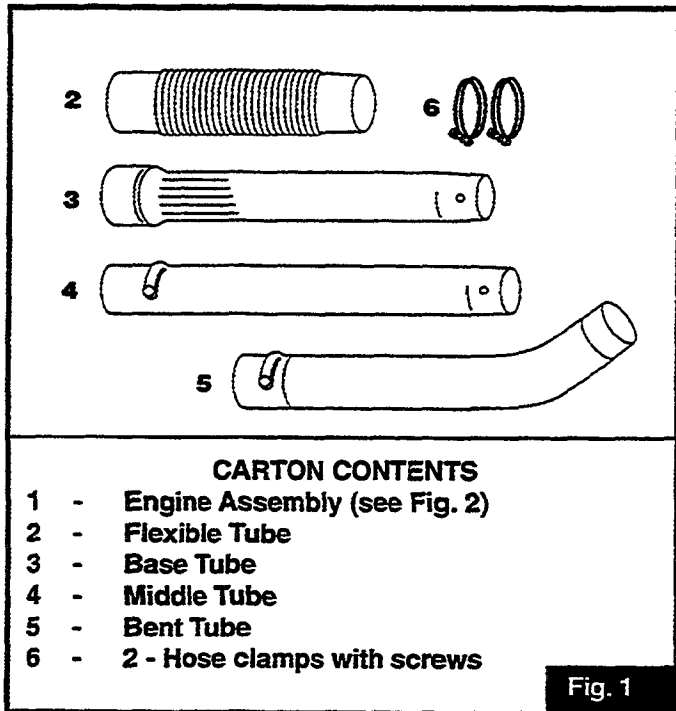
Dimensions:	L x W x H = 350 x 430 x 380 mm (13.7" x 16.9" x 15.0")
Weight, dry:	8.0 kg (17.7 lbs.)
Fuel capacity:	1.6 liters (0.4 gal.)
Engine type:	Air cooled-two stroke
Displacement:	40.2cc
Ignition system:	Transistorized electronic ignition
Carburetor:	Diaphragm type
Spark plug:	NGK BM7A
Spark plug gap:	0.6 to 0.7 mm (.024" to .028")
Starter:	Automatic recoil
Max. air volume:	16.6m ³ /min. (589 cfm)
Max. air speed:	112m/sec. (251 mph)
Fuel:	Gasoline/oil mixture - 50:1
Noise level:	69.5 db(a) at 7,000 rpm from 50 ft.

ASSEMBLY INSTRUCTIONS

Unpacking Your Unit

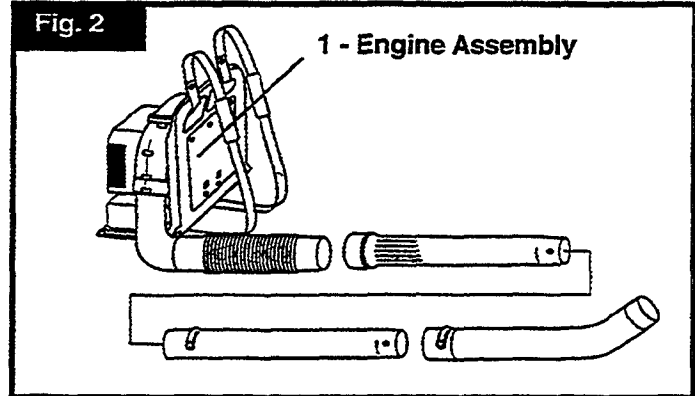
Your unit has been carefully packed at the factory to prevent damage during shipping and storage. Carefully unpack the carton as follows:

1. Remove contents from the carton.
2. Check parts against the list in Fig. 1
3. Examine parts for damage.
4. Notify your dealer immediately if a part is missing or damaged.



Note: The base tube is designed to swivel allowing air flow to be directed. Be certain that base tube, middle tube and bent tube are perfectly inserted up to each stopper in order to prevent slipping.

4. Install the middle tube into the base tube and the bent tube in the middle tube.
5. Attach Shoulder Straps - adjust straps to fit your body.



FUELING INSTRUCTIONS

Gasoline

1. Handle gasoline with care.
2. Do not store gasoline near an open flame, such as a water heater, as it is highly flammable.
3. Refuel before starting work.
4. Do not refuel a hot engine.
5. Avoid spilling fuel or oil. Always wipe unit dry of fuel before using.
6. Move at least 10 feet (3 meters) away from the fueling point before starting engine.

THIS ENGINE IS CERTIFIED TO OPERATE ON UNLEADED GASOLINE INTENDED FOR AUTOMOTIVE USE. Mix GREEN MACHINE Premium Exact Mix oil 50:1 with gasoline according to the instructions on the package. If GREEN MACHINE oil is not available, use a high quality 2-cycle engine oil mixed at 4 oz. per gallon. Thoroughly mix the gasoline and 2-cycle oil before pouring the fuel mix into the engine's fuel tank.

Assembling Extension Tubes and Shoulder Straps (Fig. 2)

1. Slip one wire clamp onto each end of the flexible tube.
2. Install flexible tube onto the output tube on the blower housing.
3. Slide the grooved end of the base tube into the open end of the flexible tube and securely tighten the screws on the clamps.

CAUTION

- The fuel tank may be under pressure. Remove the cap slowly to avoid spurting of fuel.
- When preparing fuel mixture, mix only the amount needed for the job you are to do. Do not use a fuel mixture that has been stored longer than two (2) months. Fuel mixture stored longer than this will cause hard starting and poor performance. If fuel mix has been stored longer than this time, it should be removed and refilled with a fresh mixture.
- Use only a good grade of gasoline.

DO NOT USE:

- Automotive Oil - as it does not have proper additives for 2-cycle engines and could cause damage.
- Gasoline containing alcohol greater than 9.9%.

Fueling Your Unit

1. Fill 7/8 of the tank with fuel without spilling.
2. Wipe off any spilled fuel with a dry cloth.
3. Tighten fuel cap securely.

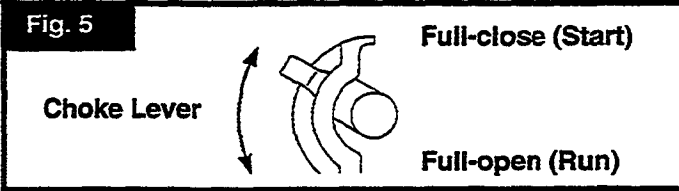
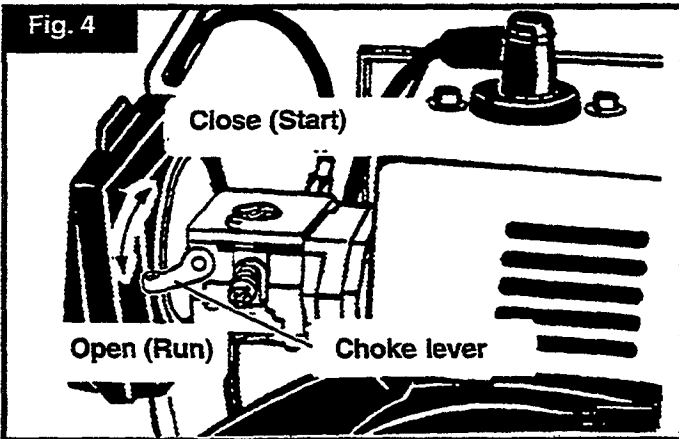
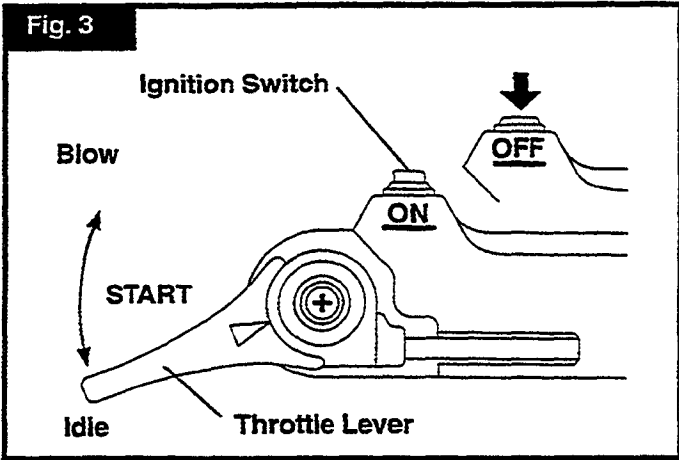
OPERATING INSTRUCTIONS

Starting and Stopping

1. Lay blower on a flat bare surface. Move switch to on position.
2. Open the throttle lever halfway (Fig 3).
3. With the throttle lever fully closed, push the priming bulb seven (7) times until the fuel flows through the overflow tube.
4. Move choke lever to choke position (Fig 4).
5. Pull starter until engine tries to run. (No more than 6 pulls.) (Fig 7)
6. Move choke lever to half choke position.
7. Pull starter until engine runs.
8. Run engine 30 to 45 seconds on half choke to warm up. Move choke lever to run position. Move throttle lever to idle position until ready to use (Fig 3).

NOTE: When you push the primer several times, the excess fuel is returned to the tank through the overflow tube. There is no fear of flooding the engine when you push the primer bulb.

TO STOP: Move ignition switch to stop position.





CAUTION

- Do not pull the starter rope to the end.
- Rewind the rope slowly.

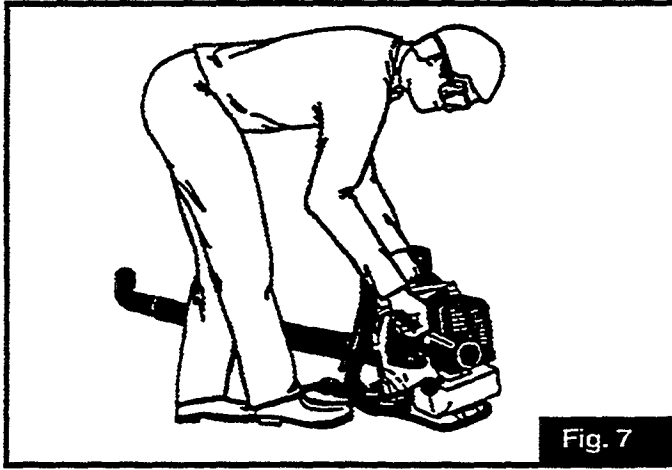


Fig. 7

MAINTENANCE INSTRUCTIONS

Daily Maintenance

- Always check for efficient and safe operation.
- Remove dirt from blower.
- Tighten bolts if they are loose.
- Replace damaged parts.
- Always use recommended Green Machine® replacement parts.

Air Cleaner (Fig 8)

1. Remove air cleaner cover and take out air filter.
Note: Accumulated dust on the air filter will reduce engine efficiency and increase fuel consumption.
2. Wash air filter in mild detergent and water, then dry the filter well.
3. Put a few drops of oil on the foam filter. Squeeze out excess oil.

Operating the Blower

1. Adjust shoulder straps correctly to make the machine fit your body.
2. The velocity of air stream can be controlled from a gentle breeze to a high-speed blast by the throttle lever.
3. Select the best speed for each application of the blower. Example: Low speed for blowing dry leaves, and high speed for wet leaves.

• IMPORTANT •

- Do not operate in unventilated areas.
- Do not allow bystanders in work area.
- Always wear proper clothing.
- Always wear safety glasses and a face filter mask.
- Wear ear protectors.
- Do not touch muffler, spark plug, or rotating parts.

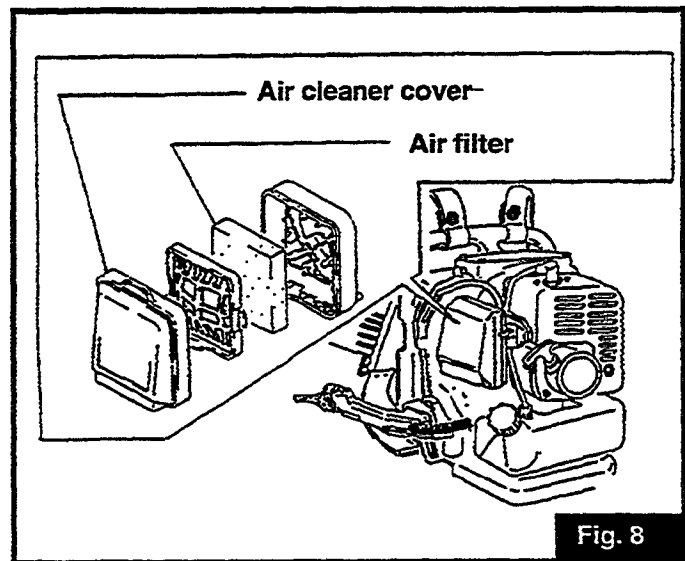


Fig. 8



CAUTION

Do not use gasoline or flammable solvent to clean the air filter!

STORAGE - (3 Months or longer)

1. Drain all fuel from tank into a container approved for gasoline. Run engine until it stops.
2. Clean all foreign material from the blower. Store it in a well-ventilated place that is inaccessible to children. Keep away from corrosive agents such as garden chemicals and de-icing salts.
3. Abide by all Federal and local regulations for the safe storage and handling of gasoline. Excess fuel should be used in other 2-cycle engine powered equipment.

ENGINE ADJUSTMENTS

Adjustment of Carburetor

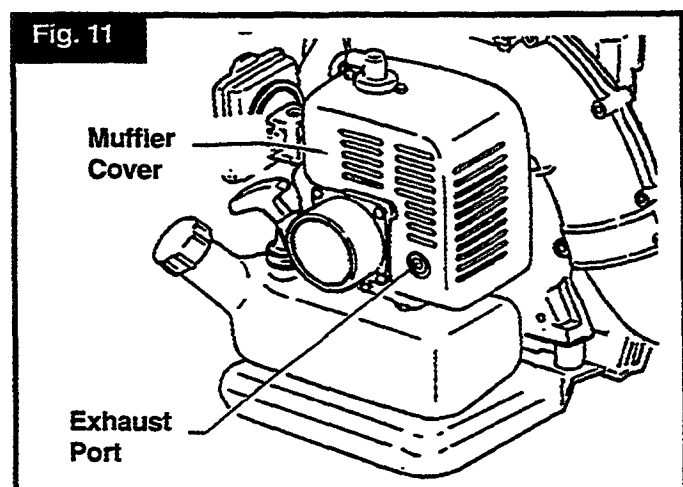
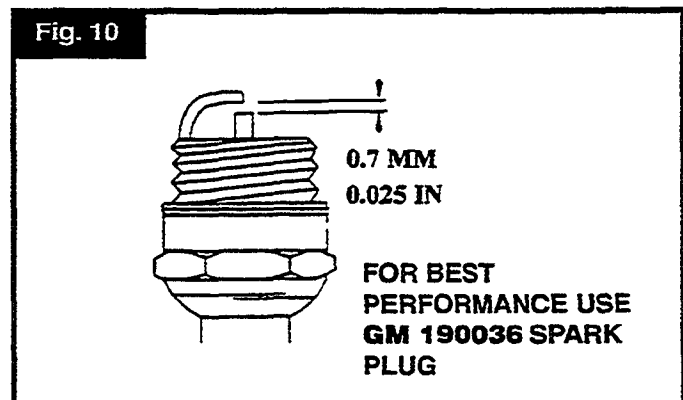
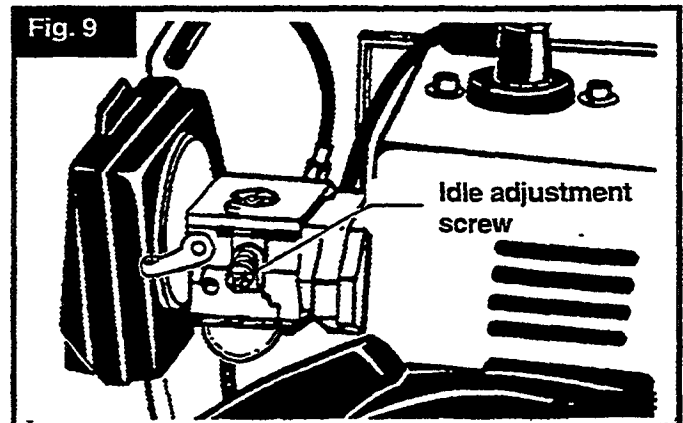
1. Adjust the idle speed with the idle adjusting screw. Turning clockwise will increase idle speed and counter-clockwise will reduce idle speed (Fig 9).
2. Idling speed must be adjusted to the minimum constant speed.

Spark Plug (Fig 10)

1. Clean or replace the plug if fouled with oily black deposits.
2. Replace the plug if the center electrode is rounded at the end or if the ground electrode is worn.
3. Adjust the gap 0.6 - 0.7mm (.024 - .028). (Recommended spark plug is a GM 190036.)

Muffler and Exhaust Port (Fig 11)

In the event that the engine should loose power and over-heat, the muffler should be removed and checked for excessive deposits. Carbon build up in the exhaust port is normal, but should be removed. Remove carbon deposits from the muffler flange area and clean carbon from the spark arrestor.



TROUBLE SHOOTING CHART

Classification	Probable Cause	Remediary Measures
1. ENGINE FAILS TO START		
Spark plug	<ol style="list-style-type: none"> 1. Spark plug electrodes are wet. 2. Spark plug electrodes are contaminated with carbon. 3. Spark plug insulating material is found cracked 4. Spark plug gap distance is excessively long or short. 5. Spark plug electrodes are burnt. 	Dry Clean electrodes Replace spark plug Adjust the distance to (.65mm or .026in) Replace spark plug
Proper compression and fuel is supplied	<ol style="list-style-type: none"> 1. Fuel is too rich. 2. Improper fuel is used. 	Check choke operation, Adj. high speed Replace with good fuel
No fuel to carburetor	<ol style="list-style-type: none"> 1. Fuel tank is empty. 2. Plugged fuel line. 3. Fuel filter is blocked with dirt or water. 4. Suction pipe, carburetor, etc. is loose. 	Refill tank Open or replace Clean or replace Tighten
2. ENGINE LACKS POWER		
Miscellaneous	<ol style="list-style-type: none"> 1. Loose fuel pipe fitting. 2. Air leak at intake manifold or carburetor. 3. Water is mixed in fuel. 4. Muffler is plugged with carbon deposit. 5. Air cleaner is plugged. 	Fasten fitting, etc. securely Replace packing or fasten joint securely Replace with good fuel Disassemble muffler and clean Clean
Overheating	Fan cover, cylinder fin clearance, etc. are clogged with dirt.	Clean
Engine has abnormal noise (knocking)	<ol style="list-style-type: none"> 1. Use of improper fuel. 2. Combustion chamber is contaminated with carbon deposit. 	Replace with specified fuel Clean combustion chamber
3. ABRUPT STOP OF ENGINE FROM NORMAL RUNNING CONDITION		
Engine stops suddenly	Miscellaneous	Return to Auth. Green Machine Dealer
Engine stops after gradually slowing down	<ol style="list-style-type: none"> 1. Shortage of fuel 2. Water is mixed in the fuel. 3. Incorrect or no oil in fuel. 	Refill tank Drain fuel and fill with fresh fuel Return to Auth. Green Machine Dealer
4. ENGINE DOES NOT STOP		
Electric system	Defective stop button.	Return to Auth. Green Machine Dealer

• CAUTION •
READ OPERATING PRECAUTIONS

• WARNING •
ALWAYS WEAR SAFETY GOGGLES
ALWAYS WEAR APPROVED DUST MASK
KEEP ALL BYSTANDERS 50 FT. (15m) AWAY AT ALL TIMES

• CAUTION •
READ OPERATING PRECAUTIONS

To insure maximum performance and safe operation, read, and understand this manual before operating unit. Any service situation requiring a trained technician, return equipment to an authorized Green Machine service dealer.

GREEN MACHINE
P.O. Box 7047
Charlotte, NC 28241

NOTES

A large rectangular area with rounded corners, containing a header 'NOTES' and 25 horizontal lines for writing.

NOTES

Lined area for notes.

NOTES

Lined area for taking notes, consisting of approximately 25 horizontal lines.

Green Machine®

▲ WARNING ▲
The engine exhaust from this product contains chemicals known to the State of California to cause cancer, birth defects or other reproductive harm
CALIFORNIA PROPOSITION 65



REGISTRATION CARD

Please print carefully in ink.

Date _____

Model Number _____ Serial Number _____

Dealer Purchased from _____

City _____ State _____ Zip _____

Owner's Name _____

Address _____

City _____ State _____ Zip _____

Intended Use: Agriculture Cemetery Commercial Gov't Fed Golf
 Gov't-Other Home Rental Schools
 Other (list) _____

Green Machine®

Mail to: P.O. Box 7047
Charlotte, NC 28241