

# Green Machine®

## OWNER'S MANUAL

**MODEL 4000b    MODEL 4000j**  
**UT26023 & -A    UT26022 & -A**

SERIAL NO.

**IMPORTANT NOTE:** USE THE ABOVE BOX TO FILL IN YOUR MODEL'S SERIAL NUMBER FOR YOUR RECORDS.

## ASSEMBLY AND OPERATING INSTRUCTIONS

### GREEN MACHINE® - LIMITED WARRANTY

The manufacturer warrants to the original retail purchaser that this Product is free from defects in material and workmanship and agrees to repair or replace, at Manufacturer's discretion, any defective product free of charge within these time periods from the date of purchase:

- **Two years, if the Product is used for personal, family, or household use;**
- **One year, if the Product is used for commercial or any other use.**

This warranty is not transferable and does not cover damage resulting from defects other than in material or workmanship, or damage caused by unreasonable use, including the failure to provide reasonable and necessary maintenance. Also, the warranty obligations do not apply to conditions resulting from misuse, alteration or accident. In addition, this warranty does not cover general check-ups on electrical equipment, tune-ups on gasoline engines, or replacement of non-defective parts (such as electrical brushes, cables, plugs, spark plug, filters, starter ropes, etc.) that may wear and need to be replaced with reasonable use within the warranty period or which may require replacement in connection with normal maintenance. This warranty applies only to products sold within the United States of America, the District of Columbia, Canada, Mexico, the Commonwealth of Puerto Rico, the Virgin Islands, Guam, the Canal Zone, or American Samoa.

#### SAVE YOUR SALES SLIP

Proof of purchase in the form of your dated sales receipt, cash register slip, etc. showing the serial number and the model of your Product will be required before our dealers can perform warranty service on the Product. You must at your own expense, arrange to deliver or ship the Product for warranty repairs and arrange for pickup or return of the Product after repairs have been made. This warranty does not apply to any trade accessory, engine, or electric motor which is separately warranted by another manufacturer and not manufactured by the manufacturer.

**THIS LIMITED WARRANTY IS IN LIEU OF ALL OTHER EXPRESS WARRANTIES. ANY IMPLIED WARRANTY OF FITNESS FOR A PARTICULAR PURPOSE, MERCHANTABILITY OR OTHERWISE, APPLICABLE TO THIS PRODUCT, SHALL BE LIMITED IN DURATION TO THE DURATION OF THIS LIMITED WARRANTY. THE MANUFACTURER SHALL NOT BE LIABLE FOR ANY SPECIAL, INCIDENTAL OR CONSEQUENTIAL DAMAGES.**

**SOME STATES DO NOT ALLOW LIMITATIONS ON HOW LONG AN IMPLIED WARRANTY LASTS, SO THE ABOVE LIMITATION MAY NOT APPLY TO YOU. ALSO, SOME STATES DO NOT ALLOW THE EXCLUSION OR LIMITATION OF INCIDENTAL OR CONSEQUENTIAL DAMAGES, SO THE ABOVE LIMITATION OR EXCLUSION MAY NOT APPLY TO YOU.**

#### HOW TO OBTAIN WARRANTY SERVICE

Warranty service can be obtained from a Green Machine® dealer authorized to make warranty repairs. If you need warranty service, check first with the dealer from whom you purchased the Product. **FOR WARRANTY SERVICE INFORMATION OUTSIDE THE USA AND CANADA, PLEASE CONTACT YOUR LOCAL GREEN MACHINE® DEALER.**

The manufacturer will not make any reimbursements for warranty service, except to Green Machine® dealers authorized to make warranty repairs. You must present your sales receipt when making any claim for warranty service.

**This warranty gives you specific legal rights, and you may also have other rights which vary from state to state.**

**This warranty is given by Homelite, Inc. Post Office Box 7047, Charlotte, North Carolina 28241.**

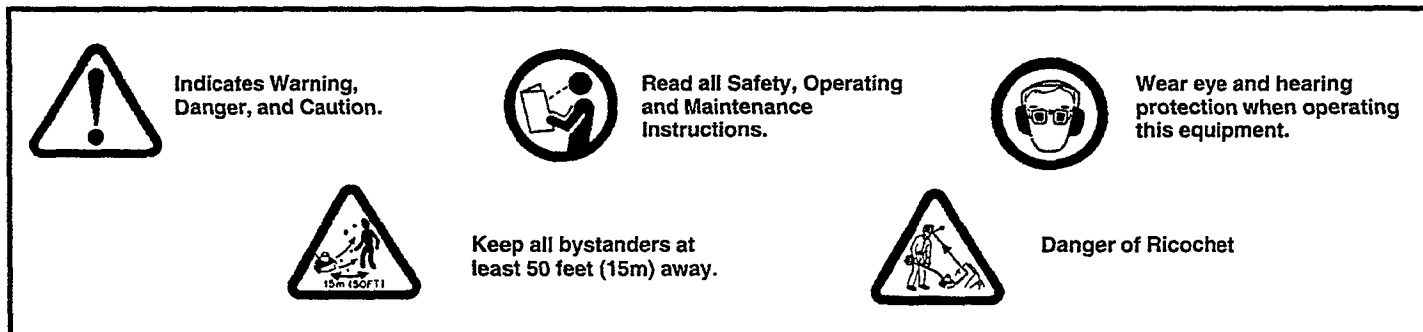
**Green Machine®**

P.O. Box 7047  
14401 Carowinds Blvd.  
Charlotte, N.C. 28241

**P/N 19616-B**

We are pleased that you have chosen a Green Machine® product to assist you with your work. Your Green Machine® product was assembled using the latest manufacturing methods and materials to bring you a product of the highest quality.

This Owner's Manual is provided to aid you in the proper assembly and the safe, reliable operation of your new Green Machine® product. Read it and become thoroughly familiar with the proper operating procedures before you first use this product. Make sure anyone who operates your Green Machine® product is fully acquainted with the proper operating procedures. Careful assembly, safe operation and proper maintenance in accordance with this Owner's Manual will provide you with maximum performance and product life.



**Warning: READ THE OWNER'S MANUAL BEFORE USING YOUR STRING TRIMMER. FOLLOW ALL INSTRUCTIONS FOR SAFE OPERATION.**

## **SAFETY INSTRUCTIONS**

**SAVE THESE INSTRUCTIONS!**

### **OPERATION**

- Use this unit for cutting recommended material only. Do not use for any other purpose.
- Never start or run the engine inside a closed area, breathing exhaust fumes can kill.
- **CLEAR THE WORK AREA BEFORE EACH USE. REMOVE ALL OBJECTS SUCH AS ROCKS, BROKEN GLASS, NAILS, WIRE, OR STRING WHICH CAN BE THROWN OR BECOME ENTANGLED IN THE STRING HEAD OR BLADE.**
- Be sure the cutting attachment is properly installed and securely fastened. Failure to use the proper parts can cause the cutting attachment to fly off and seriously injure the operator and/or bystanders.
- Exposure to vibrations through prolonged use of gasoline powered hand tools could cause blood vessel or nerve damage in the fingers, hands, and wrists of people prone to circulation disorders, or abnormal swellings. Prolonged use in cold weather has been linked to blood vessel damage in otherwise healthy people. If symptoms occur such as numbness, pain, loss of strength, change in skin color or texture, or loss of feeling in the fingers, hands, or wrists, discontinue the use of this tool and seek medical attention.
- **FOLLOW THESE INSTRUCTIONS TO REDUCE THE RISK OF INJURY:**
  - **WEAR FULL EYE AND HEARING PROTECTION WHILE OPERATING THIS TRIMMER.**
  - Wear heavy long pants, shoes and gloves.
  - Keep all bystanders, children and pets at least 50 feet away.
  - Do not wear loose clothing or jewelry.
  - Secure long hair so it is above the shoulder.
  - Do not operate this product when you are tired, ill or under the influence of alcohol, drugs or medication.
  - Do not operate in poor lighting.
  - Keep firm footing and balance. Do not overreach.
  - Keep all parts of your body away from the string head and hot surfaces.
  - Keep cutting attachment below waist level.
- **ALWAYS STOP ENGINE AND REMOVE SPARK PLUG WIRE BEFORE MAKING ANY ADJUSTMENTS OR REPAIRS EXCEPT CARBURETOR ADJUSTMENTS.**

### **MAINTENANCE**

- Use only **GREEN MACHINE®** replacement parts. Failure to do so may cause poor performance and possible injury.
- Inspect unit before each use for loose fasteners, fuel leaks, etc. Replace damaged parts. Replace string head if it is cracked, chipped, or damaged in any way. Be sure the string head is properly installed and securely fastened. Failure to do so can cause serious injury.
- Make sure all deflectors and handles are properly and securely attached.
- Use only monofilament string in the string head.

## For Green Machine Parts Call 606-678-9623 or 606-561-4983

- The cutting head will spin during carburetor adjustments. Wear protective equipment and observe all safety instructions.
- Before storing, allow the engine to cool.
- Empty the fuel tank and restrain the unit from moving before transporting in a vehicle.

### **REFUELING (DO NOT SMOKE!)**

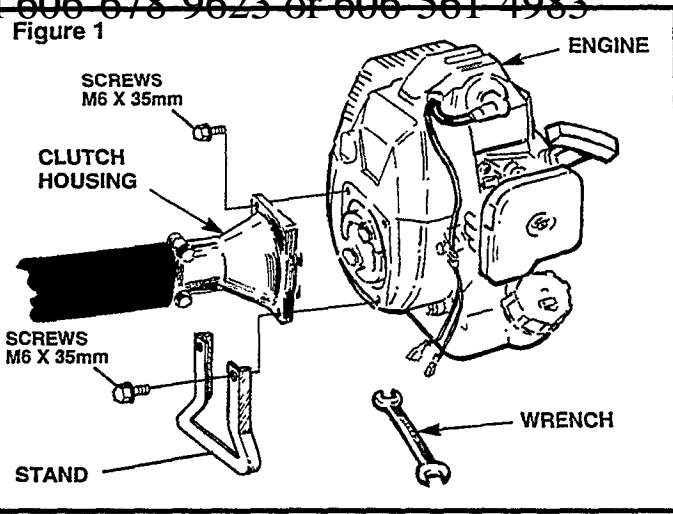
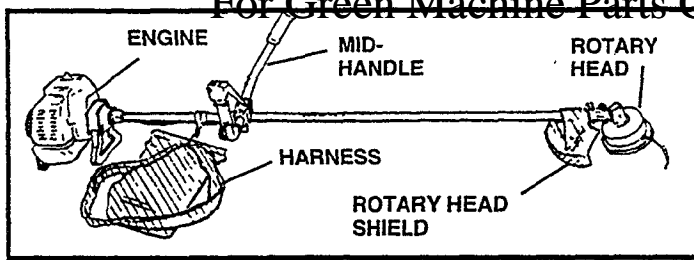
- Mix and store fuel in a container approved for gasoline.
- Mix fuel outdoors where there are no sparks or flames.
- Select bare ground, stop engine and allow to cool before refueling.
- Loosen fuel cap slowly to release pressure and to keep fuel from escaping around the cap.
- Wipe spilled fuel from the unit. Move 10 feet away from refueling site before starting engine.

### **BLADE SAFETY**

- Before each use, check to be sure that the blade is firmly attached. Be sure throttle returns to the neutral position when released and that the blade does not rotate at idle.
- A coasting blade can injure while it continues to spin after the engine is stopped or throttle trigger is released. Hold the coasting blade in heavy grass or brush until it stops.
- The front handle must be mounted properly. The front handle will assist in keeping the cutting attachment away from the operator.
- **Exercise extreme caution when using the blade with this unit. BLADE THRUST is the reaction that may occur when the spinning blade contacts anything it cannot cut. This contact may cause the blade to stop for an instant, and suddenly “thrust” the unit away from the object that was hit. This reaction can be violent enough to cause the operator to lose control of the unit. Blade Thrust can occur without warning if the blade snags, stalls, or binds. This is more likely to occur in areas where it is difficult to see the material being cut.**

In order to control the unit when Blade Thrust occurs:

- Maintain a good comfortable stance and balanced position.
- Always hold the handles firmly with both hands.
- Approach material to be cut from right to left so that the unit will be pulled towards the cut instead of pushed toward the operator.
- Always cut at full throttle. Blade has maximum cutting power and is less likely to stall or bind.
- Keep hands, feet, and unit in proper position.
- Cut only material recommended. Avoid letting blade contact material it cannot cut, such as stumps, rocks, metal, etc.
- Always use the shoulder harness when operating the unit.



## 4000b STRINGTRIMMER/BRUSHCUTTER

The Model 4000b Commercial String Trimmer/Brushcutter. Ideally suited for the specialized daily trimming of grass, weeds and brushcutting of roadside maintenance and forestry applications.

### 1. ASSEMBLY

Mounting Engine to the Driveshaft

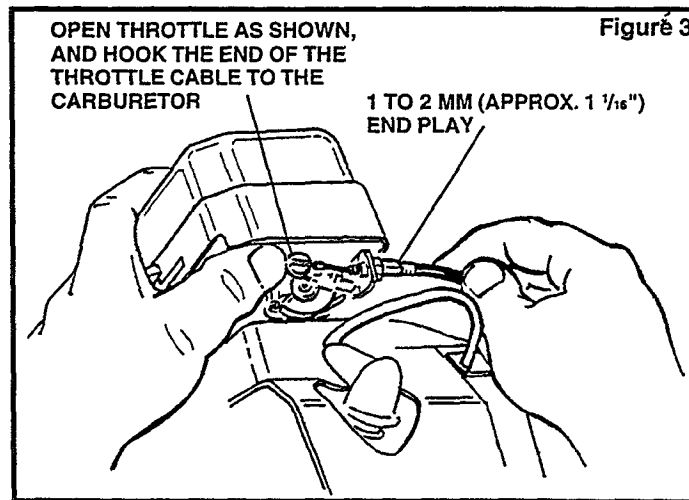
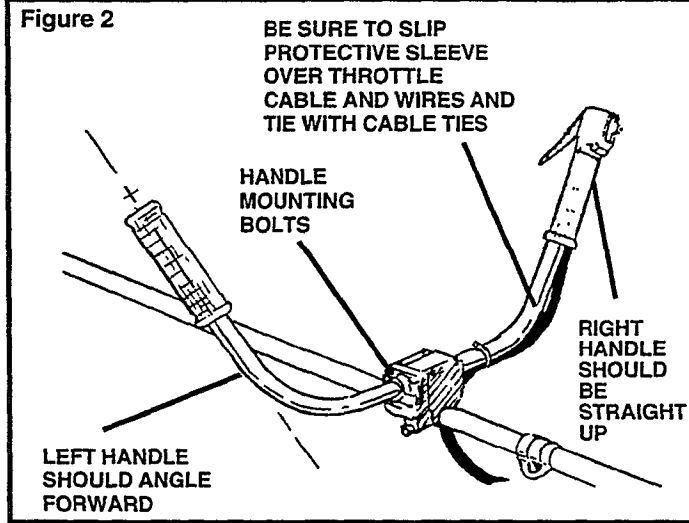
- Using the four (4) bolts supplied, mount the engine and stand to the clutch housing as shown. (Figure 1)
- With wrench supplied, tighten all four (4) bolts evenly and securely.

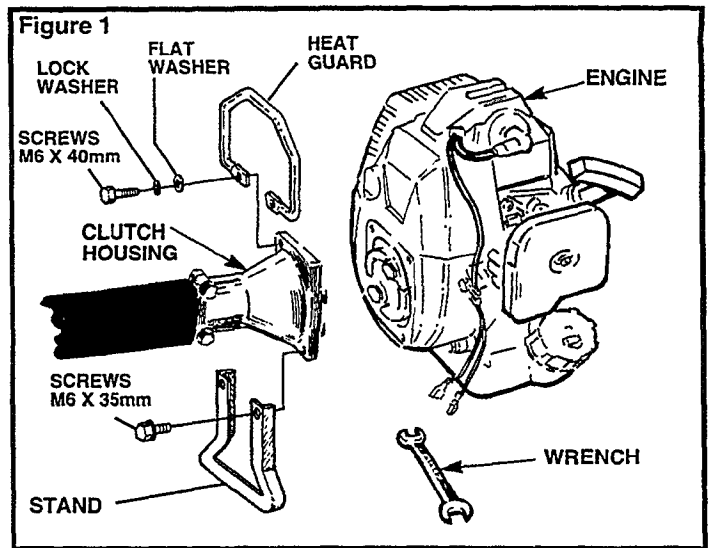
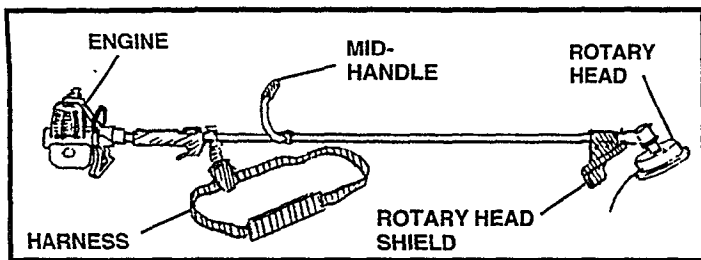
### 2. INSTALLING MID-HANDLE (Figure 2)

- Loosen the four bolts on the handle clamp and slip handle ends into clamp so the ends meet in the middle.  
Note: Right side handle has throttle and stop switch assembly mounted on it (Figure 2).
- Adjust handles for operator control and comfort and tighten the four (4) clamp bolts evenly and securely.
- **Note:** Mid-Handle bracket position is pre-set at the factory. It may be repositioned for best balance and comfort.

### 3. INSTALLING THROTTLE CABLE (Figures 3)

- Open throttle as shown, and hook the end of the throttle cable to the carburetor.
- Connect switch wires to engine wires on right side of engine next to the carburetor.





## 4000j STRINGTRIMMER/BRUSHCUTTER

The Model 4000j Commercial String Trimmer/Brushcutter. Ideally suited for the specialized daily trimming of grass, weeds and brushcutting of roadside maintenance and forestry applications.

### 1. ASSEMBLY

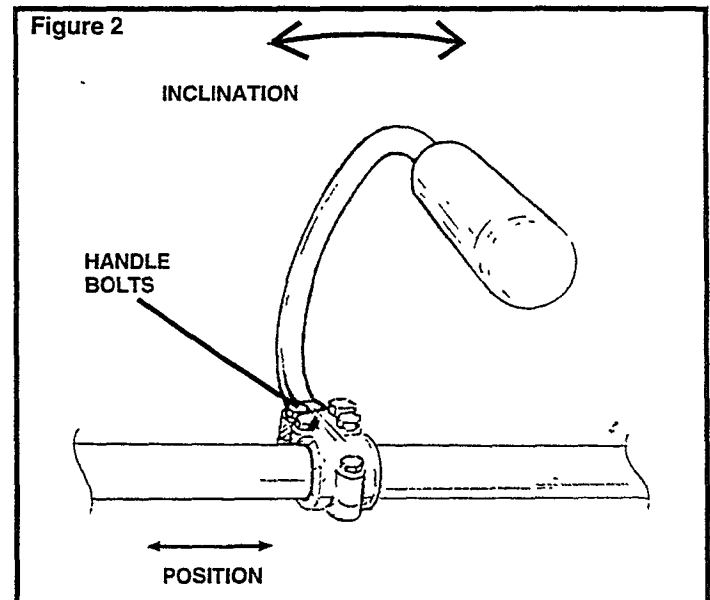
#### Mounting Engine to the Driveshaft

- Using the four (4) bolts supplied, mount the engine, heat guard and stand to the clutch housing as shown. (Figure 1)
- With wrench supplied, tighten all four (4) bolts evenly and securely.

**NOTE:** The longer screws (M6 X 40mm) are used to hold the heat guard to the clutch housing and engine.

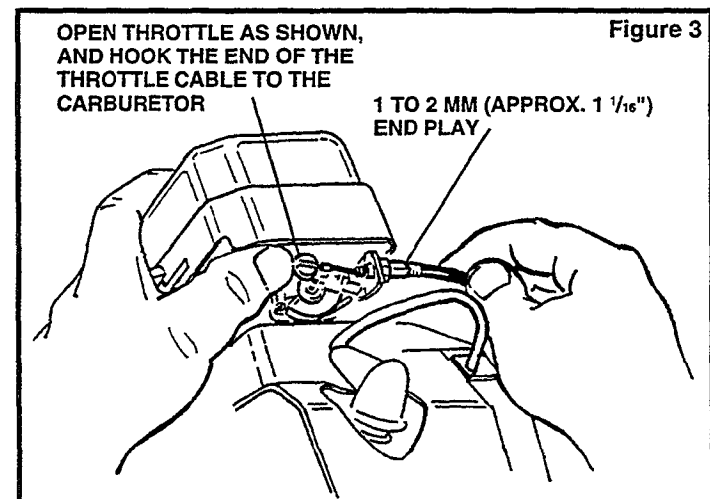
### 2. INSTALLING MID-HANDLE (Figure 2)

- Loosen the five (5) bolts on the handle bracket mounted on the drive shaft tube (Do not remove screws completely).
- Install the mid-handle with the grip up.
- After installing the mid-handle in its bracket, retighten the five (5) bolts softly.
- Adjust the inclination and position of the handle and tighten the bolts firmly. (Figure 2)



### 3. INSTALLING THROTTLE CABLE (Figure 3)

- Open throttle as shown, and hook the end of the throttle cable to the carburetor.
- Connect switch wires to engine wires on right side of engine next to the carburetor.



#### 4. SUPPLYING FUEL:

- Fill the fuel tank with fuel to  $\frac{7}{8}$  full, using a mixed fuel of gasoline and 2 cycle air cooled engine oil.

#### REFUELING (DO NOT SMOKE!)

- Mix and store fuel in a container approved for gasoline.
- Mix fuel outdoors where there are no sparks or flames.
- Select bare hand, stop engine, and allow to cool before refueling.
- Loosen fuel cap slowly to release pressure and to keep fuel from escaping around the cap.
- Wipe spilled fuel from the unit. Move 10 feet away from refueling site before starting engine.
- **Special Note: Never use gasohol. If gasohol is used, engine warranty will be voided. To test for alcohol content in gasoline, an inexpensive gasohol tester kit is available, order part # GM 27339.**
- **RECOMMENDED FUEL: THIS ENGINE IS CERTIFIED TO OPERATE ON UNLEADED GASOLINE INTENDED FOR AUTOMOTIVE USE.** Mix Green Machine 32:1 or Green Machine Premium Exact Mix oil with gasoline according to the instructions on the package. If Green Machine oil is not available, use a high quality 2-cycle engine oil mixed at 4 oz. per gallon. **DO NOT USE AUTOMOTIVE OIL OR 2-CYCLE OUTBOARD OIL.**

Thoroughly mix the gasoline and 2-cycle oil before pouring the fuel mix into the engine's fuel tank.

#### WARNING

The fuel tank may be under pressure. Remove the cap slowly to avoid spurting of fuel.



#### WARNING:

1. Never smoke when refueling, or refuel in an area with an open flame (such as a water heater pilot light). Gasoline vapors spread rapidly and are highly explosive.
2. Always stop engine and wait for it to cool before refueling.
3. Clean up any spills and dispose of clean-up materials.
4. After refueling, move to another area for starting.
5. Never over fill. Fill tank only  $\frac{7}{8}$  full to avoid spillage.

#### 5. INSPECTION

- Always inspect all fasteners for tightness and/or mixing parts. Tighten or replace before use.
- Read and understand all safety and operating instructions before use.
- Check for any fuel leaks. If any, correct before use.
- Make sure all air passages are free of dirt, dust, or any other foreign material.
- Inspect air cleaner for cleanliness.
- Check for compression. There should be noticeable resistance when pulling starter.

## 6. STARTING THE ENGINE, WHEN COLD (INITIAL ENGINE STARTING)

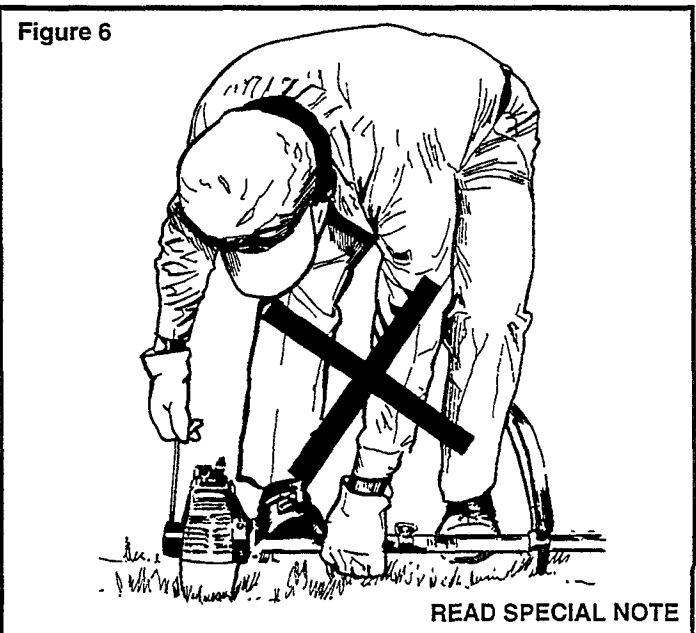
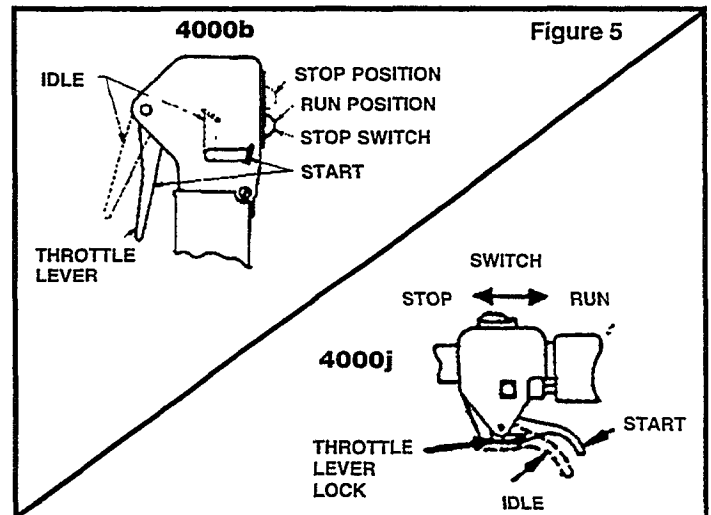
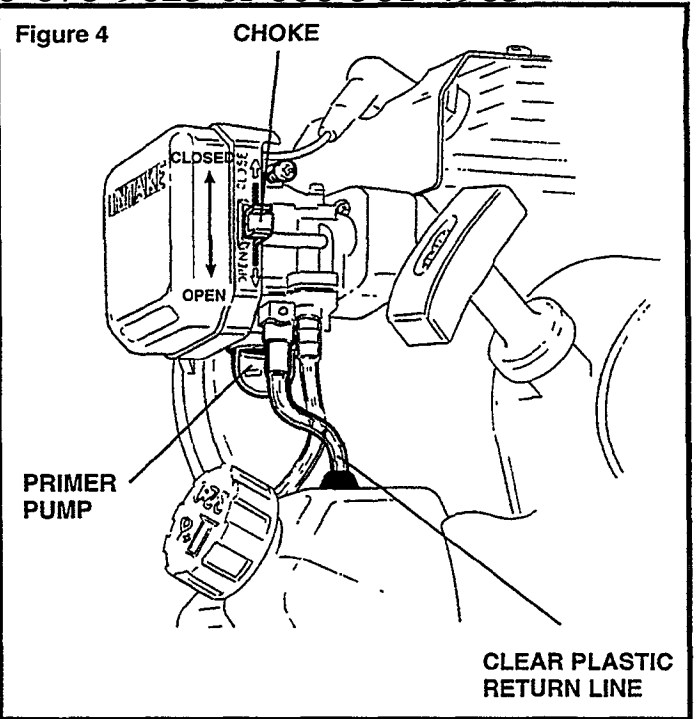
- Push the primer pump until fuel flows through the clear plastic return line (Figure 4).
- Push red button to run position. (Figure 5).
- Place choke lever in the closed position (Figure 4).
- Lock throttle lever in the start position as shown in Figure 9.
- **Special Note:**  
Place the unit on the ground when starting. Do not use your foot, or knee to hold it down while pulling up on the rope (Figure 6). This will cause the tube and cable to become bent and then break. Never allow the starter rope to snap back.
- Pull starter rope slowly, until engine compression is felt. Pull the starter in short rapid strokes until engine starts.
- Avoid pulling the rope to its full extension as starter failure could result.
- Once the engine has started, slowly return the choke lever to its open position.
- Return the throttle lever to its idle position.
- Always allow the engine to run 1 to 2 minutes at idle for warm up before starting work.

### WHEN WARM (RESTARTING ENGINE)

- Hold throttle lever in the open position.
- Place choke lever in its open position.
- Pull starter rope as outlined in "Starting When Cold".
- **Note:** If engine fails to start, push primer until fuel appears in clear plastic return line.

## 7. STOPPING ENGINE

- Return throttle lever to its idle position, and allow the engine to idle for a short period (approximately 30 seconds). This allows the engine to cool down.
- Push the red button to the stop position (Figure 5).
- **Note:** Except for emergencies, avoid stopping engine while it is running at high speed, this avoids overheating the engine.



## 8. ADJUSTING

- Your Green Machine® engine has been adjusted at the factory for optimum performance and fuel consumption, and no further adjustment should be required. However, because of varying atmospheric and climatic conditions, some minor adjustment may be needed for your area.
- Adjusting idle speed should always be done with a tachometer to insure proper idle speed (2,800 to 3,300 rpm). If a tachometer is not available, the idle speed may be adjusted as follows:
  - Turn idle speed screw clockwise until cutting head or lower drive begins to move.
  - Turn idle speed screw counterclockwise until lower drive stops.
  - Turn idle speed screw approximately 1/4 to 3/4" turn further counterclockwise.
- If the engine does not idle properly after this adjustment, contact your nearest Green Machine® dealer for service.
- Condition of the air cleaner is very important to the operation and life of the engine, and also has a major affect on carburetor adjustments. The air cleaner should be checked for cleanliness before each use, and before making any carburetor adjustments.

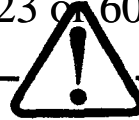
## 9. MAINTENANCE

### Daily

- Carefully inspect complete unit for damaged, loose or missing parts. Correct before use.
- Carefully inspect for any fuel leaks. Correct immediately.
- Check air cleaner for cleanliness.
- Remove all dust, dirt, and grass from the entire unit after each use.

### 30-Hour Service, or Once a Week for Commercial Use.

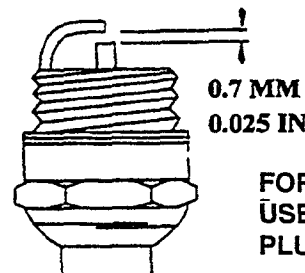
- All items under daily service plus:
- Remove, clean, and regap spark plug (0.7mm/0.025 inches) (Figure 7).
- Clean and service air filter (after cleaning, put small amount of engine oil on sponge and squeeze out excess) (Figure 8).
- Check fuel filter in tank and clean if needed. (Figure 8).
- Remove cylinder cover and clean out all dust, dirt, and foreign material.



### SAFETY

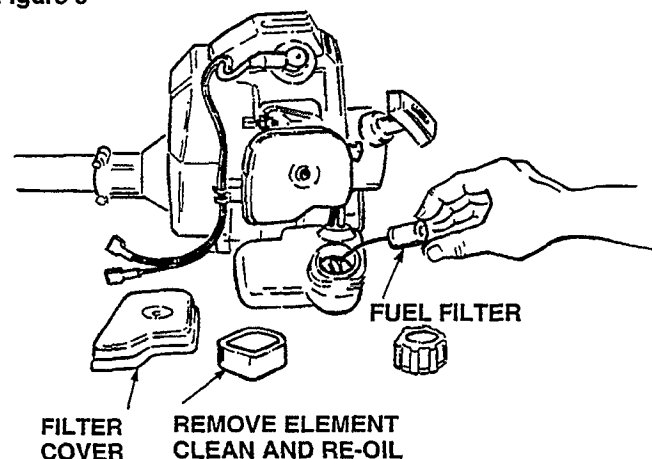
- Before each use always inspect your Green Machine® for loose, missing, damaged or broken parts. Correct before using.
- Always wear approved eye protection (safety goggles).
- Due to the danger of thrown objects and the danger of striking others with the string or blade, keep bystanders and pets away from the work area at all times.
- Do not wear loose fitting clothes while operating unit.
- Never operate unit while barefoot or wearing sandals.
- Never operate unit without shields or guards in place and in good working order.
- Use only genuine Green Machine® blades and rotary heads.
- Never use any type of wire in place of the nylon string.
- Never touch engine or muffler during operation, or immediately after shutdown.
- Never touch spark plug, ignition plug cap, or high tension wire while engine is running.
- Always make sure engine is securely mounted to driveshaft before each use.
- Always check for any fuel leaks before each use and correct before use.
- Never operate unit indoors or in an enclosed area.
- Your Green Machine product is not a toy. Do not allow children to play with it or use it.

Figure 7



FOR BEST PERFORMANCE  
USE GM 190036 SPARK  
PLUG

Figure 8





**STRINGTRIMMER/BRUSHCUTTER**

**10. ASSEMBLY**

**GUARD**

- Install the blade guard/head shield using the hardware supplied (**Figure 9 & 10**).

**ROTARY HEAD:**

- Using the tools shown (**Figure 10**), remove the bolt (left hand thread), star washer, and flat washer at the bottom of the gearcase.

Note: Save bolt and washers as they are needed when using brush or saw blades.

- While holding lower flange washer with large spanner wrench, thread rotary head onto gearcase as shown (**Figure 10**). Tighten rotary head as tight as possible by hand.

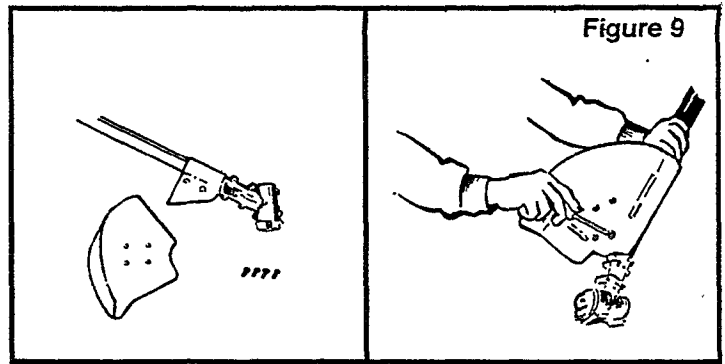


Figure 9

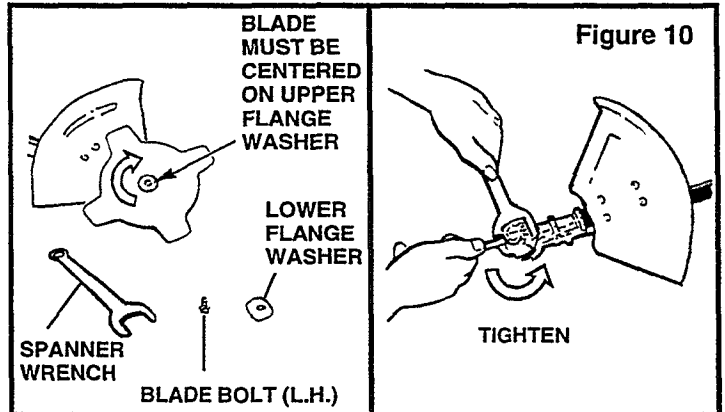


Figure 10



**CAUTION:** Never operate without blade guard/head shield in place and keep bystanders at least 50 ft. away.

**TO INSTALL METAL CUTTING BLADES:**

- Remove bolt (LH), star washer and small flat washer at the bottom of gear case (**Figure 10**).
- Remove lower flange washer and place blade on upper flange washer making sure that arbor hole in blade is centered on the arbor embossment on upper flange.
- Install lower flange washer making sure that the splines line up and washer is completely seated.
- Re-install small flat washer, star washer, and bolt (note bolt is left hand thread) and is turned counterclockwise to tighten (**Figure 10**).
- **Special Note:** Take special care when installing blades, as the cutting edge and/or points of the blade are very sharp. Make sure tools used are properly seated on their respective bolt or flange washer, and you have a firm grip on the tools.
- The blade rotation is clockwise (when viewing from below) so cutting edge of blades must face in that direction.

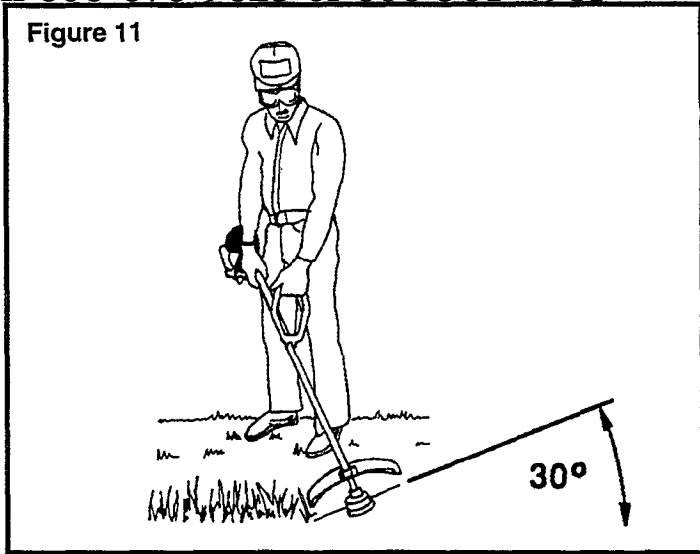
**WARNING:**

**Blade use**

- Extreme care must be taken when using brush or saw blades to insure safe operation.
- When the blades hit a hard object a serious sideward reaction could occur (See explanation of “**BLADE THRUST**” ON PAGE 3 under **BLADE SAFETY**).
- Never attempt blade work without first inspecting and clearing the area of unseen objects such as concrete, fencing, wire, wood, metal, etc.
- Never use blades near sidewalks, fencing, posts, buildings or other immovable objects.
- Use the metal cutting blades only for the cutting which is recommended.
- Never use a blade after hitting a hard object without first inspecting it for bent cutters and cracks. Do not use if either condition is found.
- Use only Green Machine® blades.
- Always use shoulder harness whenever blades are used, No. 400175.
- **Have a professional re-sharpen your blade or saw.**

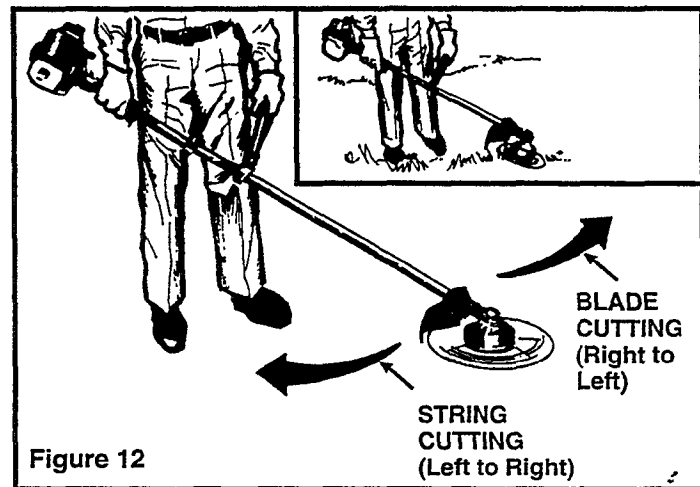
**11.CUTTING TECHNIQUE:**

- Hold unit so the rotary head is at an approx. 30° angle to the ground (**Figure 11**).
- Allow the very tip of the line to do the cutting.
- Always operate unit with the correct line size (.095 dia.).
- Always use correct line length (max. 6.0, min. 3.0 inches)
- **Note:** As the cutting line wears down, engine speed (RPM) will increase. Allowing the engine to run at high RPM (3 inch cutting or less) for a prolonged period will shorten engine life.
- When cutting with string, cut from left to right with the engine at full throttle, so that clippings will be thrown away from you (**Figure 12**).
- When cutting with metal blade, cut from right to left with the engine at full throttle, so that the unit will be pulled towards the cut instead of pushed toward the operator (**Figure 12**).



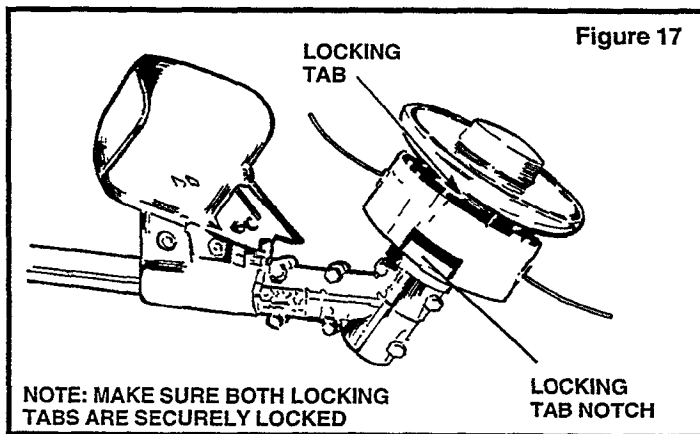
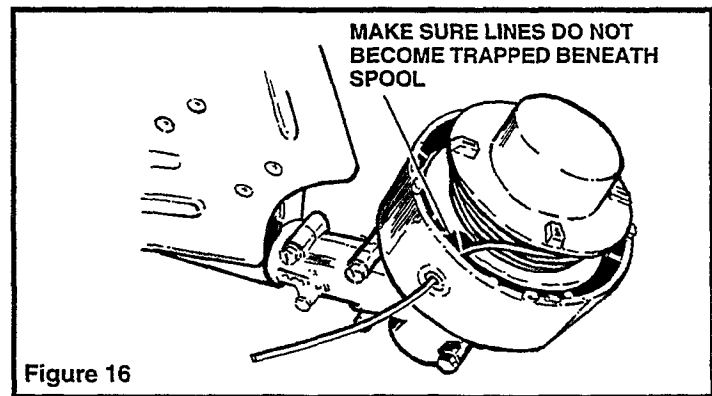
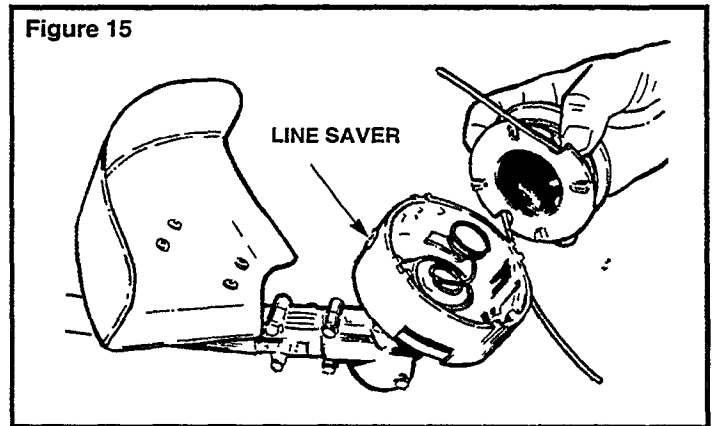
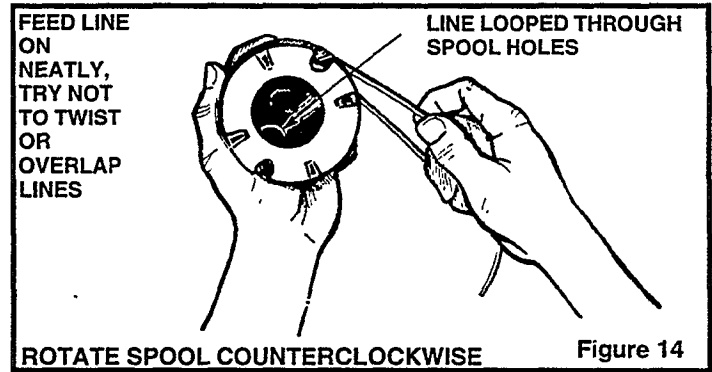
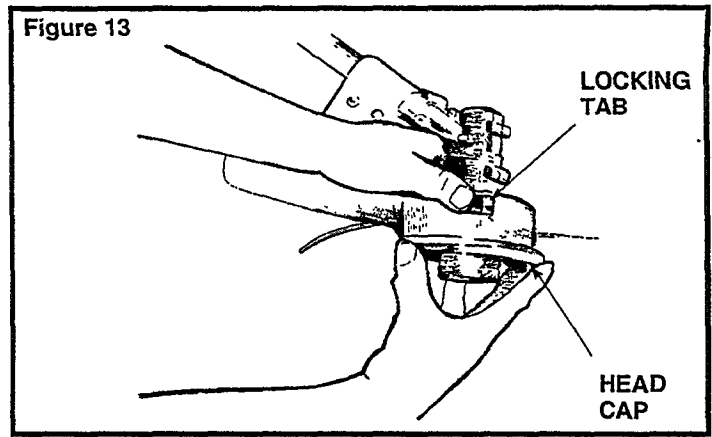
**12.EXTENDING LINE:**

- As you perform your trimming tasks, the cutting line will wear shorter. It may be extended automatically with the engine running, or manually, with the engine stopped.
- **Engine running:** (At full speed) lightly tap (do not pound) the rotary head on the ground. Line will advance approximately 1 1/2 inch per tap.
- When tapping for line, it should be done on bare ground or a hard surface.
- **Note:** The cutting line will not extend automatically if the line is worn too short. You should extend the line before it is worn to 3 inch length.
- **Engine Stopped:** Line can be advanced manually, by turning the unit over so you are facing the bottom of the rotary head. While pulling outward on one of the cutting lines, push in on the spool. When the line stops, release the spool and continue pulling the line. Keep repeating this procedure until the desired amount of line is extended.
- **Note:** Never operate trimmer with more than six (6) inches of line extended outside the rotary head. Excessive line length can often be identified by low engine RPM when throttle lever is in the full throttle position.



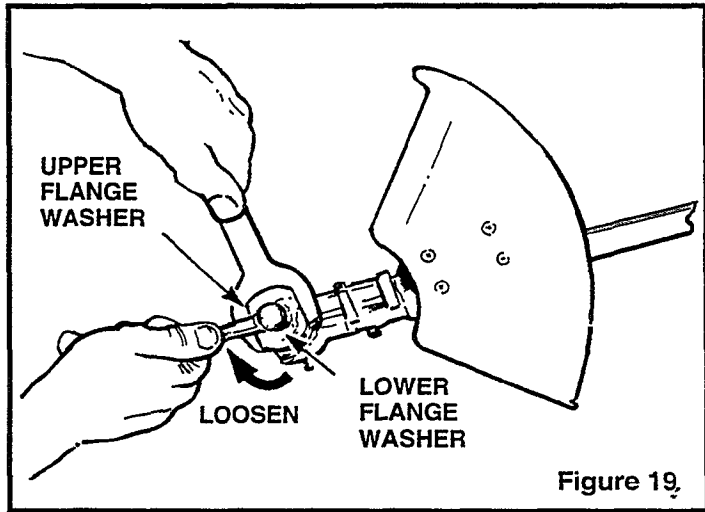
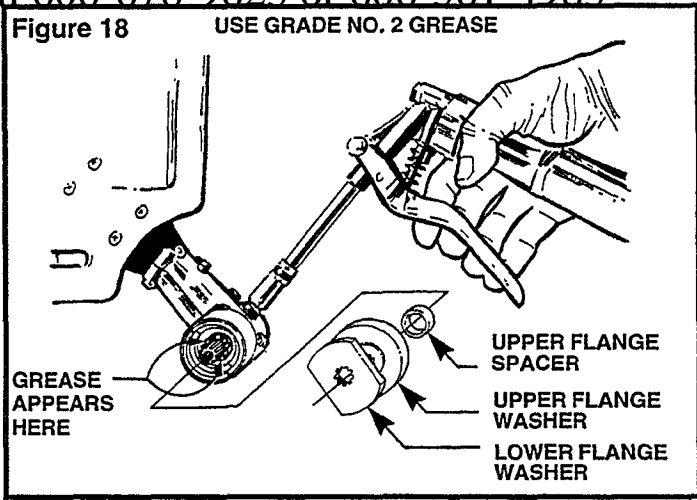
**13. TO REPLENISH LINE SUPPLY:**

- Push in one of the locking tabs, releasing it from its notch (**Figure 13**) and pull on the rotary head cap.
- Once both locking tabs have released, lift rotary head cap off and remove spool.
- Cut a length of cutting line that is .095 diameter and approximately 50 ft. long.
- Loop the line through holes in the spool and make certain that both lines are even (**Figure 14**).
- Hold the spool as shown (**Figure 14**) and feed line on neatly by rotating the spool counterclockwise.
- **Note:** Do not wind line on, rotate the spool.
- **Note:** Clean all dirt, dust, and grass out of the rotary head, spool and head cap before reassembling.
- Once the line is on the spool, hold spool as shown (**Figure 15**) and insert lines in their respective linesavers and place spool back into the rotary head.
- **Note:** Be certain that lines do not become trapped under the spool (**Figure 16**).
- Re-install rotary head cap by aligning locking tabs with their notches and pushing cap down until both locking tabs are securely locked (**Figure 17**).
- Before operating the unit, check by advancing the line manually, making sure lines are not trapped, and rotary head is assembled correctly.



14.MAINTENANCE:

- Before each use, inspect complete unit for loose or missing fasteners or parts. Correct before use.
- The drive shaft is lubricated during assembly at the factory and needs no scheduled maintenance. However, if it is removed, regrease, and install exactly as it was removed. **Do not reverse ends.**
- Each 10 hours of use, the gearcase should be regreased by first removing the blade/stringhead (**Figure 18**).
- Loosen stringhead or blade bolt by turning clockwise. Remove both flange washers (**Figure 19**). Fit spanner wrench, supplied, onto flats of lower flange washer. **NOTE:** Left hand thread.
- Remove flange washers for regreasing.
- Reverse the above procedure to reinstall the blade/stringhead.
- Turn counterclockwise to tighten.
- Tighten securely before starting engine.



**GREEN MACHINE®  
TROUBLE SHOOTING CHART**

<b>FAILURE OF ENGINE TO START - NO SPARK</b> 1. Failure located on the spark plug side	1. The electrode of spark plug is wet 2. Carbon deposit sticks to the electrodes of spark plug 3. Poor insulation caused by crack, etc. of insulator 4. Undersize or oversize gap of the electrodes of spark plug 5. Burning of the electrodes of spark plug	1. Dry it 2. Clean it 3. Replace spark plug 4. Adjust the gap to 0.6mm 5. Replace spark plug
2. Failure located on the magneto side	1. Coil burnout 2. Coil poor insulation 3. Cord coating breakage 4. Unit burnout	1. Replace coil 2. Replace coil 3. Replace or repair cord 4. Replace magneto
<b>HAS SPARK</b> 1. Proper compression and sufficient fuel	1. Engine flooded 2. Use of improper fuel mixture	1. Remove spark plug and discharge outward with recoil starter 2. Replace with proper fuel 32:1 mix
2. Sufficient supply of fuel but compression is poor	1. Heavy wear of cylinder, piston and piston ring 2. Loose spark plug	1. Replace all worn parts 2. Tighten
3. No supply of fuel to the carburetor	1. Fuel tank is empty 2. Loose fuel hose fitting or loose carburetor 3. Filter clogging 4. Fuel is available in the tank,, however, fuel does not reach the carburetor 5. Air vent in the fuel tank clogging	1. Refill the fuel tank 2. Tighten fuel lines or carburetor 3. Clean or replace filter 4. Refer to the starting procedure 5. Clean it
<b>POWER IS NOT SUFFICIENT</b> 1. Compression of engine is normal and there is no mis-firing	1. Air cleaner clogging 2. The muffler is plugged with carbon 3. Air leakage through the pipe fitting, etc. 4. Fuel passage clogging 5. Water is mixed in fuel	1. Clean 2. Clean the muffler or replace 3. Tighten the fitting securely 4. Clean 5. Replace with proper fuel
2. Overheating is observed	1. Excessive lean fuel mixture 2. Use of improper mixed oil 3. Carbon deposit 4. Fan cover, cylinder fin, etc. are stuffed with dirt 5. Forced operation	1. Adjust and clean carburetor 2. Replace with 2-cycle 32:1 mix 3. Clean 4. Clean and remove dirt 5. Operate properly
3. Knocking noise is heard	1. Cylinder overheat 2. Use of improper fuel 3. The combustion is covered with carbon deposits	1. Adjust carburetor, clean cylinder fin 2. Replace with proper fuel: 25:1 mix 3. Clean the combustion chamber
4. Air Suction	1. Loose carburetor 2. Loose fuel pipe	1. Tighten 2. Insert firmly
<b>ENGINE RUNS BUT TOOL WILL NOT PERFORM</b>	1. Lower tool not fully engaged in coupler	1. Refer to owner's manual for proper assembly or see authorized service dealer for assistance
<b>ENGINE STOPS WHILE IN OPERATION</b> 1. Engine stops abruptly	1. Defective stop button 2. Dislocation of plug cap 3. The piston shows score surface with indication of seizure 4. Short circuit of spark plug electrode due to carbon deposit 5. Failure of proper functioning of magneto	1. Replace 2. Fix firmly 3. Repair or replace 4. Clean 5. Disassemble and replace necessary parts
2. Engine stops gradually	1. Empty fuel tank 2. Inside carburetor clogging 3. Fuel tank clogging 4. Water is mixed in fuel	1. Refill 2. Disassemble and clean 3. Disassemble and clean breather 4. Replace with proper fuel
<b>ENGINE WILL NOT STOP WHEN TURNED OFF</b>	1. The extreme end portion of spark plug is red-heated 2. Broken stop button	1. Clean or replace spark plug and adjust the gap to 0.6mm 2. Replace worn part
<b>SHAFT VIBRATES</b>	1. Cord is not in balance - both cords not of same length 2. Cord is worn out 3. Nylon cord head is bent 4. Saw or Brush blade not centered on Holder A 5. Grease or oil has gotten into clutch assembly (clutch housing) 6. Lower gear case is out of grease	1. Equalize cord length at 6 inches 2. Same as #1 3. Replace arbor post 4. Re-center blade on holders 5. Clean clutch shoes and drum 6. Grease gear case - 30 operating hours

For Green Machine Parts Call 606-678-9623 or 606-561-4983

# **Green Machine**®

**▲ WARNING ▲**

The engine exhaust from this product contains chemicals known to the State of California to cause cancer, birth defects or other reproductive harm.

CALIFORNIA PROPOSITION 65

**Green Machine**®

16940

[www.mymowerparts.com](http://www.mymowerparts.com)