

# Green Machine®

## OWNER'S MANUAL

**MODEL 2000 UT26026**  
**String Trimmer**

SERIAL NO.

**IMPORTANT NOTE:** USE THE ABOVE BOX TO FILL IN YOUR MODEL'S SERIAL NUMBER FOR YOUR RECORDS.

## ASSEMBLY AND OPERATING INSTRUCTIONS

### GREEN MACHINE® - LIMITED WARRANTY

The manufacturer warrants to the original retail purchaser that this Product is free from defects in material and workmanship and agrees to repair or replace, at Manufacturer's discretion, any defective product free of charge within these time periods from the date of purchase:

- **Two years, if the Product is used for personal, family, or household use;**
- **One year, if the Product is used for commercial or any other use.**

This warranty is not transferable and does not cover damage resulting from defects other than in material or workmanship, or damage caused by unreasonable use, including the failure to provide reasonable and necessary maintenance. Also, the warranty obligations do not apply to conditions resulting from misuse, alteration or accident. In addition, this warranty does not cover general check-ups on electrical equipment, tune-ups on gasoline engines, or replacement of non-defective parts (such as electrical brushes, cables, plugs, spark plug, filters, starter ropes, etc.) that may wear and need to be replaced with reasonable use within the warranty period or which may require replacement in connection with normal maintenance. This warranty applies only to products sold within the United States of America, the District of Columbia, Canada, Mexico, the Commonwealth of Puerto Rico, the Virgin Islands, Guam, the Canal Zone, or American Samoa.

#### SAVE YOUR SALES SLIP

Proof of purchase in the form of your dated sales receipt, cash register slip, etc. showing the serial number and the model of your Product will be required before our dealers can perform warranty service on the Product. You must at your own expense, arrange to deliver or ship the Product for warranty repairs and arrange for pickup or return of the Product after repairs have been made.

This warranty does not apply to any trade accessory, engine, or electric motor which is separately warranted by another manufacturer and not manufactured by the manufacturer.

**THIS LIMITED WARRANTY IS IN LIEU OF ALL OTHER EXPRESS WARRANTIES. ANY IMPLIED WARRANTY OF FITNESS FOR A PARTICULAR PURPOSE, MERCHANTABILITY OR OTHERWISE, APPLICABLE TO THIS PRODUCT, SHALL BE LIMITED IN DURATION TO THE DURATION OF THIS LIMITED WARRANTY. THE MANUFACTURER SHALL NOT BE LIABLE FOR ANY SPECIAL, INCIDENTAL OR CONSEQUENTIAL DAMAGES.**

**SOME STATES DO NOT ALLOW LIMITATIONS ON HOW LONG AN IMPLIED WARRANTY LASTS, SO THE ABOVE LIMITATION MAY NOT APPLY TO YOU. ALSO, SOME STATES DO NOT ALLOW THE EXCLUSION OR LIMITATION OF INCIDENTAL OR CONSEQUENTIAL DAMAGES, SO THE ABOVE LIMITATION OR EXCLUSION MAY NOT APPLY TO YOU.**

#### HOW TO OBTAIN WARRANTY SERVICE

Warranty service can be obtained from a Green Machine® dealer authorized to make warranty repairs. If you need warranty service, check first with the dealer from whom you purchased the Product. **FOR WARRANTY SERVICE INFORMATION OUTSIDE THE USA AND CANADA, PLEASE CONTACT YOUR LOCAL GREEN MACHINE® DEALER.**

The manufacturer will not make any reimbursements for warranty service, except to Green Machine® dealers authorized to make warranty repairs. You must present your sales receipt when making any claim for warranty service.

**This warranty gives you specific legal rights, and you may also have other rights which vary from state to state.**

**This warranty is given by John Deere Consumer Products, Inc. Post Office Box 7047, Charlotte, North Carolina 28241.**

**Green Machine®**

P.O. Box 7047  
14401 Carowinds Blvd.  
Charlotte, N.C. 28241

**P/N 16071**

We are pleased that you have chosen a Green Machine® product to assist you with your work. Your Green Machine® product was assembled using the latest manufacturing methods and materials to bring you a product of the highest quality.

This Owner's Manual is provided to aid you in the proper assembly and the safe, reliable operation of your new Green Machine® product. Read it and become thoroughly familiar with the proper operating procedures before you first use this product. Make sure anyone who operates your Green Machine® product is fully acquainted with the proper operating procedures. Careful assembly, safe operation and proper maintenance in accordance with this Owner's Manual will provide you with maximum performance and product life.



Warning: READ THE OWNER'S MANUAL BEFORE USING THIS PRODUCT. FOLLOW ALL INSTRUCTIONS FOR SAFE OPERATION.

## **SAFETY INSTRUCTIONS**

### **SAVE THESE INSTRUCTIONS**

### **OPERATION**

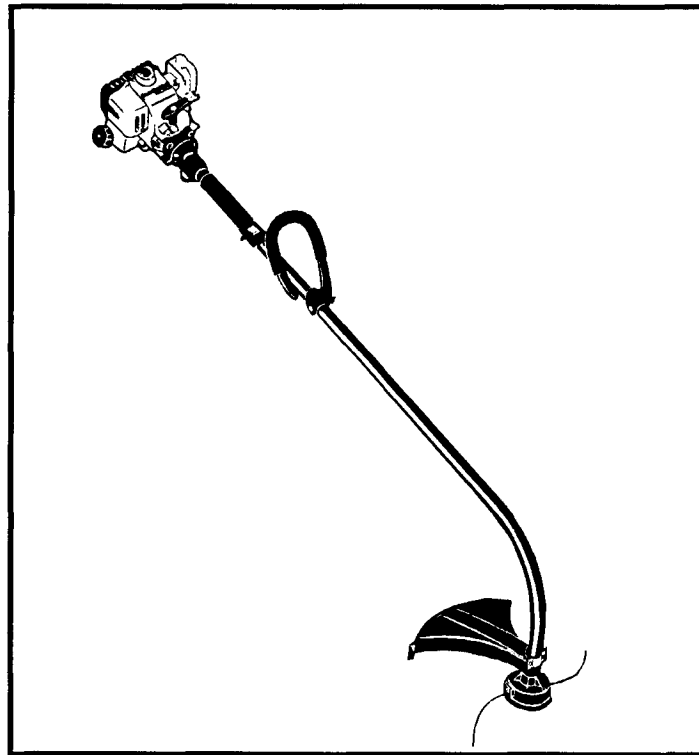
- Use this unit for cutting recommended material only. Do not use for any other purpose.
- Never start or run the engine inside a closed area, breathing exhaust fumes can kill.
- **CLEAR THE WORK AREA BEFORE EACH USE. REMOVE ALL OBJECTS SUCH AS ROCKS, BROKEN GLASS, NAILS, WIRE, OR STRING WHICH CAN BE THROWN OR BECOME ENTANGLED IN THE STRING HEAD.**
- Be sure the string head is properly installed and securely fastened. Failure to use the proper parts can cause the cutting attachment to fly off and seriously injure the operator and/or bystanders.
- Exposure to vibrations through prolonged use of gasoline powered hand tools could cause blood vessel or nerve damage in the fingers, hands, and wrists of people prone to circulation disorders, or abnormal swellings. Prolonged use in cold weather has been linked to blood vessel damage in otherwise healthy people. If symptoms occur such as numbness, pain, loss of strength, change in skin color or texture, or loss of feeling in the fingers, hands, or wrists, discontinue the use of this tool and seek medical attention.
- **FOLLOW THESE INSTRUCTIONS TO REDUCE THE RISK OF INJURY:**
  - **WEAR FULL EYE AND HEARING PROTECTION WHILE OPERATING THIS UNIT.**
  - Wear heavy long pants, shoes and gloves.
  - Keep all bystanders, children and pets at least 50 feet (15m) away.
  - Do not wear loose clothing or jewelry.
  - Secure long hair so it is above the shoulder.
  - Do not operate this unit when you are tired, ill or under the influence of alcohol, drugs or medication.
  - Do not operate in poor lighting.
  - Keep firm footing and balance. Do not overreach.
  - Keep all parts of your body away from the string head and hot surfaces.
  - Keep cutting attachment below waist level.
- **ALWAYS STOP ENGINE AND REMOVE SPARK PLUG WIRE BEFORE MAKING ANY ADJUSTMENTS OR REPAIRS EXCEPT CARBURETOR ADJUSTMENTS.**

## **MAINTENANCE**

- Use only **GREEN MACHINE®** replacement parts. Failure to do so may cause poor performance and possible injury.
- Inspect unit before each use for loose fasteners, fuel leaks, etc. Replace damaged parts. Be sure the stringhead is properly installed and securely fastened. Failure to do so can cause serious injury.
- Make sure all deflectors and handles are properly and securely attached.
- Use only monofilament string in the stringhead.
- **DO NOT USE ANY OTHER CUTTING ATTACHMENT.**
- The cutting head will spin during carburetor adjustments. Wear protective equipment and observe all safety instructions.
- Before storing, allow the engine to cool.
- Empty the fuel tank and restrain the unit from moving before transporting in a vehicle.

## **REFUELING (DO NOT SMOKE!)**

- Mix and store fuel in a container approved for gasoline.
- Mix fuel outdoors where there are no sparks or flames.
- Select bare ground, stop engine, and allow to cool before refueling.
- Loosen fuel cap slowly to release pressure and to keep fuel from escaping around the cap.
- Wipe spilled fuel from the unit. Move 10 feet (3m) away from refueling site before starting engine.



**Model 2000**

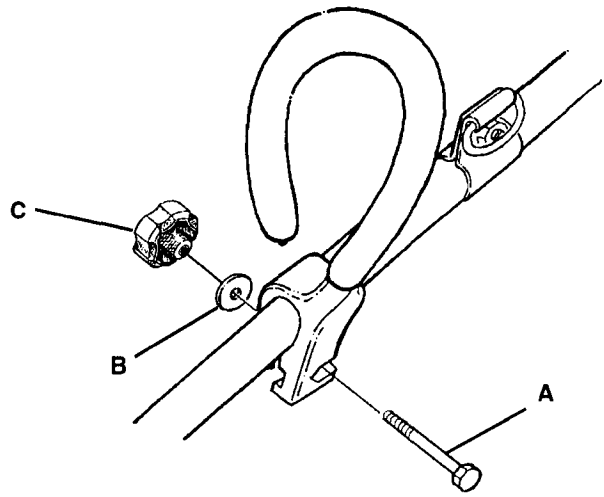
The GREEN MACHINE® model 2000 features a rugged Long Life powerhead from Homelite®. The 2000 is a light weight, easy to use curved-shaft trimmer which is ideal for trimming grass and weeds on flat or gently sloping surfaces.

# ASSEMBLY

## HANDLE

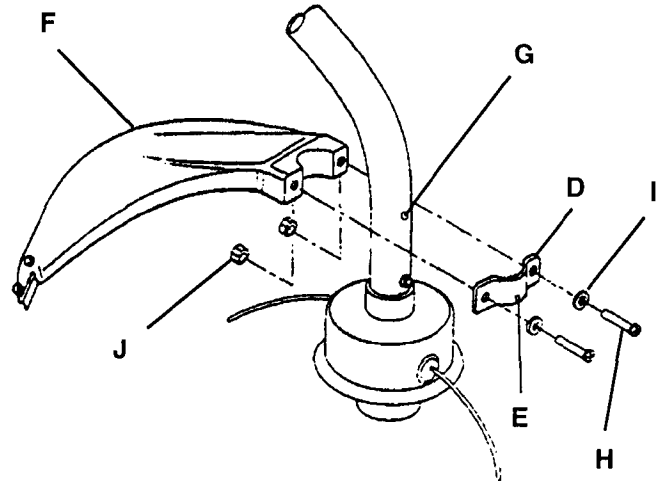
Snap handle onto drive shaft housing . Install bolt (A), flat washer (B), and knob (C). Adjust handle to a comfortable position. Tighten knob securely.

**Note:** Handle may be repositioned for best balance and comfort.



## DEFLECTOR TO DRIVESHAFT HOUSING

Assemble bracket clamp (D), with alignment tab (E) facing down, and deflector (F) over driveshaft housing locator hole (G). Install screws (H), washers (I), and nuts (J). Tighten securely.



## FUELING

This product is powered by a 2-cycle engine and requires pre-mixing gasoline and 2-cycle oil. For normal homeowner use, we recommend mixing fuel in a clean 1 gallon container approved for gasoline.

**RECOMMENDED FUEL:** THIS ENGINE IS CERTIFIED TO OPERATE ON UNLEADED GASOLINE INTENDED FOR AUTOMOTIVE USE.

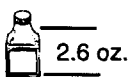
Mix Green Machine® Premium Exact Mix™ Oil with gasoline according to the instructions on the package. If Premium Exact Mix™ oil is not available, use a high quality 2-cycle engine oil, mixed at 4 oz. per gallon (US).

**DO NOT USE AUTOMOTIVE OIL OR 2-CYCLE OUTBOARD OIL.**

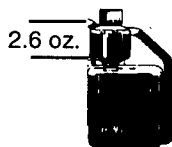
## FUEL MIXTURE CHART

50:1 Fuel:Oil Mix Ratio

<b>Gasoline</b> 1 gallon (US)	<b>Oil</b> 2.6 oz.
1 Liter	20cc



OR



Premium Exact Mix™ one pint bottle is the best value and the easiest to use.

## FILLING TANK

1. Loosen fuel cap slowly. Rest the cap on a clean surface.
2. Carefully pour fuel into the tank. Avoid spillage.
3. Immediately replace fuel cap and hand tighten. Wipe up any fuel spillage.
4. It is normal for smoke to be emitted from a new engine after first use.

**NOTE:** Always shut off engine before fueling. Never add fuel to a machine with a running or hot engine. Move at least 10 feet (3m) from refueling site before starting engine. **DO NOT SMOKE!**

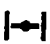


## INSPECTION

- Always inspect all fasteners for tightness and/or missing parts. Tighten or replace before use.
- Read and understand all safety and operating instructions before use.
- Check for any fuel leaks, if any, correct before use.
- Make sure all air passages are free of dirt, dust, or any other foreign material.
- Inspect air cleaner for cleanliness.

## STARTING AND STOPPING

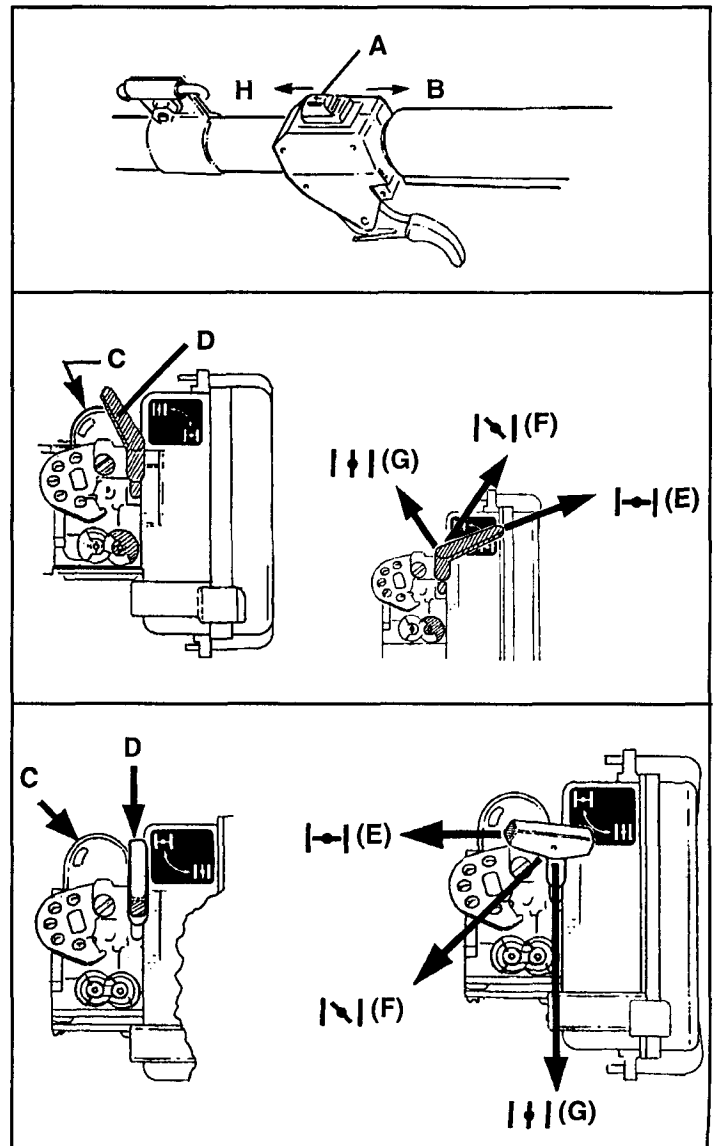
### TO START:

Check the illustrations below to see which choke lever your unit is equipped with.

1. Lay trimmer on a flat, bare surface.
2. Move ignition switch (A) to the run position (B).
3. Push primer bulb (C) **8 to 10 times**.
4. Move choke lever (D) to choke position (E) .
5. Squeeze trigger to full throttle position.
6. Pull starter until engine tries to run. (**No more than 6 pulls.**)
7. Move choke lever to half choke position (F) .
8. Squeeze trigger to full throttle position and pull starter until engine runs.
9. Run engine **30 to 45 seconds** at full throttle on half choke position to warm up. Move choke lever to run position (G) .

### TO STOP:

1. Release trigger.
2. Slide stop switch (A) to "STOP" position (H).



## OPERATION

### CUTTING TECHNIQUE

Keep the trimmer tilted toward the area being cut. See illustration for best cutting area (A). **Do not cut in dangerous cutting area (B).**

### IMPORTANT

**ALWAYS OPERATE TRIMMER AT FULL THROTTLE. PROLONGED PART THROTTLE CUTTING WILL RESULT IN OIL DRIPPING FROM THE MUFFLER.**

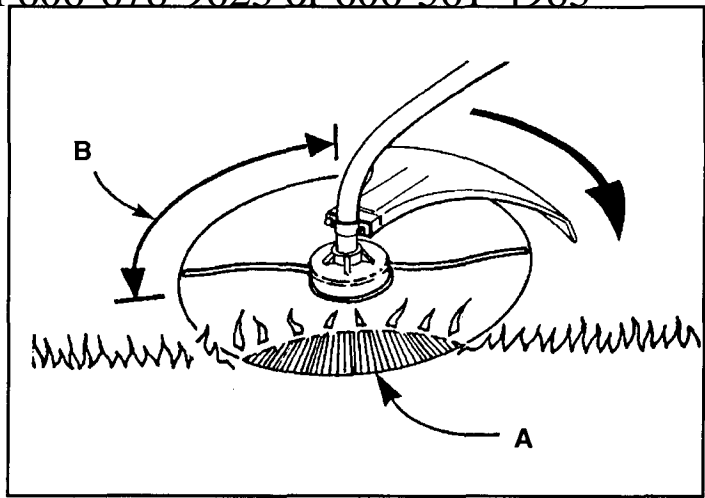
**Cut tall grass from the top down. This will prevent grass from wrapping around the driveshaft housing and string head that may cause damage from overheating. If grass becomes wrapped around the string head, STOP THE ENGINE, disconnect the spark plug wire, and remove the grass.**

When cutting with string, cut from left to right with the engine at full throttle, so that clippings will be thrown away from you.

**Use the tip of string to do the cutting** - do not force stringhead into uncut grass. Wire and picket fences cause extra string wear, even breakage. Stone and brick walls, curbs, and wood may wear string rapidly. Walk around trees and shrubs. Tree bark, wood moldings, siding, and fence posts can easily be damaged by the string.

As the cutting line wears down, engine speed (RPM) will increase. Allowing the engine to run at high RPM (3 inch line length or less) for a prolonged period will shorten engine life.

Always use the correct line length (maximum 6.00" [16cm], minimum 3.00" [7.5cm] on each side).



### EXTENDING LINE:

- As you perform your trimming tasks, the cutting line will wear shorter. It may be extended automatically with the engine running, or manually, with the engine stopped.
- **Engine running:** (At full speed) lightly tap (do not pound) the rotary head on the ground. Line will advance approximately 1/2 inch per tap.

When tapping for line, it should be done on bare ground or a hard surface.

#### Note:

**Advance string whenever you hear the engine running faster than normal. This will maintain best performance and keep string long enough to advance properly.**

**If the string is worn too short, you may not be able to advance the string by tapping. If so, STOP THE ENGINE, and manually advance the string.**

- **Engine Stopped:** The line can be advanced manually by turning the unit over so that you are facing the bottom of the rotary head. While pulling outward on one of the cutting lines, push in on the spool. When the line stops, release the spool and continue pulling the line. Keep repeating this procedure until the desired amount of line is extended.

#### Note:

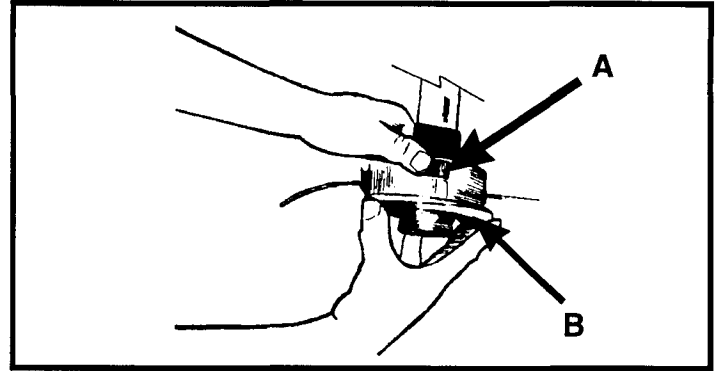
**Never operate the trimmer with more than six (6) inches (15cm) of line extended outside the rotary head. Excessive line length can often be identified by low engine RPM when the throttle lever is in the full throttle position.**

## MAINTENANCE AND ADJUSTMENT

You can make adjustments and repairs described here. For other repairs, have the trimmer serviced by an authorized servicing dealer.

### LINE REPLACEMENT:

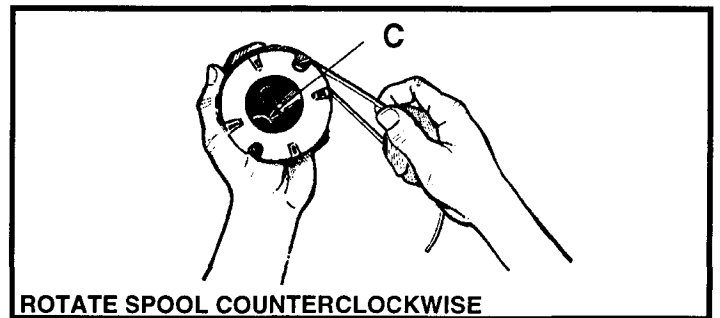
1. Stop Engine. Hold string head; push in one of the locking tabs (A), releasing it from its notch, and pull on the rotary head cap (B).
2. Once both locking tabs have released, lift rotary head cap off and remove spool.
3. Cut a length of cutting line that is .080 diameter and approximately 30 ft. long.



4. Loop line through holes (C) in spool and make certain that both lines are even.
5. Hold spool as shown and feed line on spool neatly by rotating the spool counterclockwise.

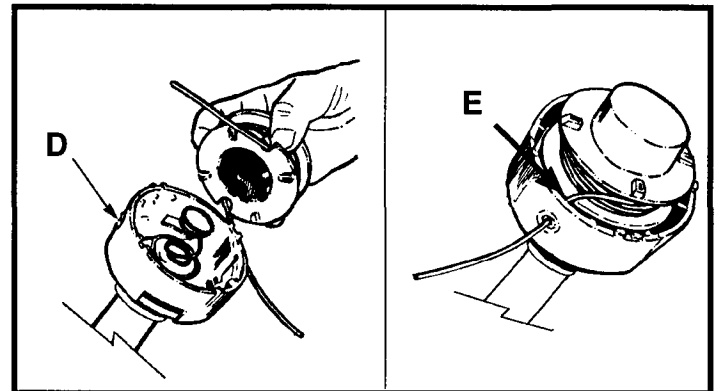
**Note:** Do not wind line on the spool, rotate the spool. Do not twist or overlap the lines.

**Note:** Clean all dirt, dust, and grass out of rotary head, spool, and head cap before reassembling.

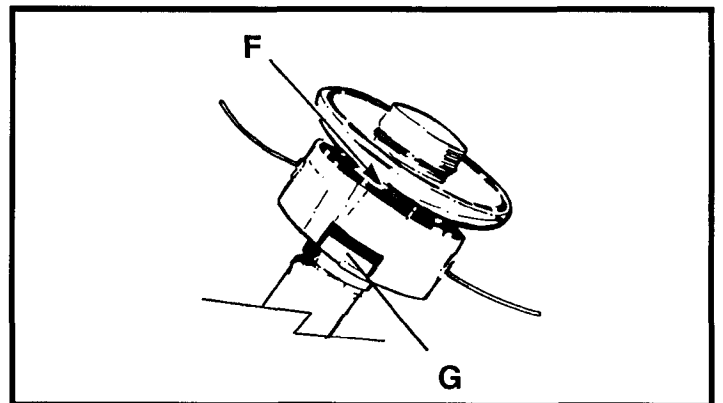


6. Once the line is on the spool, hold spool as shown in illustration and insert lines in their respective line-savers (D). Place spool back into the rotary head.

**Note:** Be certain that the lines do not become trapped under the spool (E).

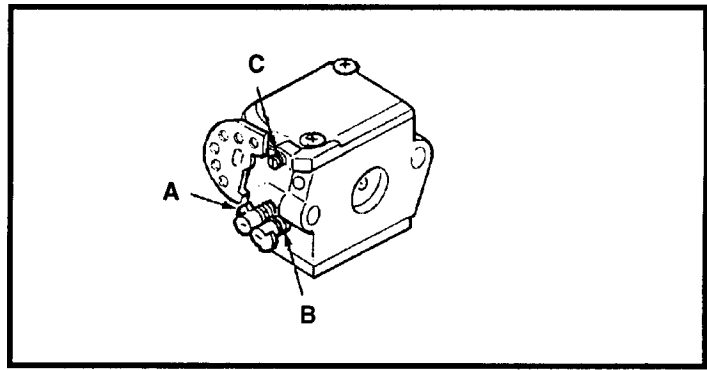


7. Re-install rotary head cap (B) by aligning locking tabs (F) with their notches (G) and pushing cap down until both locking tabs are securely locked.
8. Before operating the unit, check by advancing the line manually, making sure lines are not trapped, and rotary head is assembled correctly.



## CARBURETOR ADJUSTMENT

- Carburetors are factory set and should not require adjusting. However, if adjusting is required, or the following problems occur with acceleration or starting, see below. There are two adjustment caps on the carburetor “L” and “H”. When making carburetor adjustments, do not force plastic limiter caps beyond stops or damage will occur.
- If the engine starts but will not accelerate; turn the “L” low needle (A) counterclockwise 1/16 turn.
  - If “L” low needle (A) can not be turned counterclockwise, do not force plastic limiter caps. Contact a servicing dealer.
- If the engine starts but will only run at high speed at half choke; turn the “H” high needle (B) counterclockwise 1/16 turn.
  - If “H” high needle (B) can not be turned counterclockwise, do not force plastic limiter caps. Contact a servicing dealer.
- If the engine does not reach full speed and emits excessive smoke, or if oil drips from muffler; turn the “H” high needle (B) clockwise 1/16 turn.
- If the engine starts, runs, and accelerates but will not idle; turn the idle speed screw (C) clockwise to increase idle speed.

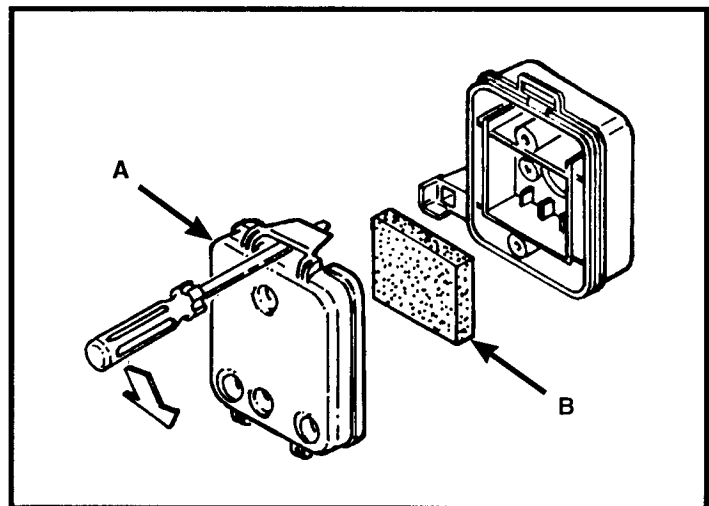


## HIGH ALTITUDE

If unit is operated above 5000 ft., you may need to adjust the “H” high needle (B) clockwise 1/16 turn.

## 6-HOUR MAINTENANCE OR DAILY FOR COMMERCIAL USE

- Carefully inspect for any fuel leaks. Correct immediately.
- Remove all dust, dirt, and grass from the entire unit after each use.
- **Check air filter:**  
For proper performance and long life, keep air filter clean.
  1. Remove the air filter cover (A) by gently pulling on the cover while carefully prying up on the latches with a screwdriver (see illustration).
  2. Remove the filter (B), clean it in warm soapy water. Rinse and let dry completely.
  3. Install filter, align tabs, push in, and make sure that the latches are locked in place.
- Inspect the cutting attachment (stringhead) for wear or cracks and replace if detected.



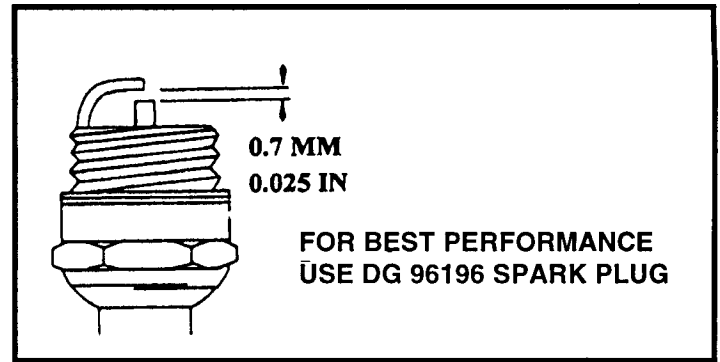


**30-HOUR MAINTENANCE, OR ONCE A WEEK FOR COMMERCIAL USE**

- All items under 6-hour maintenance plus:
- Replace the spark plug. This engine uses a Champion DJ-7Y with .025" (0,63mm) electrode gap.
- Replace air filter.
- Check fuel filter in tank and replace if needed.
- **A LEAKING FUEL CAP IS A FIRE HAZARD AND MUST BE REPLACED IMMEDIATELY.**

The fuel cap contains a non-serviceable filter and a check valve. A clogged fuel filter will cause poor engine performance. If performance improves when the fuel cap is loosened, check valve may be faulty or filter clogged. Replace fuel cap if required.

- Clean out all dust and dirt from the cylinder fins.



**STORAGE (1 month or longer)**

1. Drain all fuel from tank into a container approved for gasoline. Run engine until it stops.
2. Clean all foreign material from the trimmer. Store it in a well-ventilated place that is inaccessible to children. Keep away from corrosive agents such as garden chemicals and de-icing salts.
3. Abide by all Federal and local regulations for the safe storage and handling of gasoline. Excess fuel should be used in other 2-cycle engine powered equipment.

# TROUBLE SHOOTING CHART

IF THESE SOLUTIONS DO NOT SOLVE THE PROBLEM CONTACT YOUR AUTHORIZED SERVICING DEALER.

PROBLEM	POSSIBLE CAUSE	SOLUTION
Engine will not start:	<ol style="list-style-type: none"> <li>1. No spark.</li> <li>2. No fuel.</li> <li>3. Flooded engine.</li> <li>4. Muffler exhaust tube plugged</li> <li>5. Starter rope pulls harder now than when new.</li> </ol>	<ol style="list-style-type: none"> <li>1. Check spark. Remove spark plug. Reattach the spark plug cap and lay spark plug on metal cylinder. Pull the starter rope and watch for spark at spark plug tip. If there is no spark, repeat test with a new spark plug.</li> <li>2. Push primer bulb until fuel is visible in the bulb. If fuel is not apparent, the primary fuel delivery system is blocked. Contact a servicing dealer. If primer bulb fills, engine may be flooded (see next item).</li> <li>3. Remove spark plug, turn trimmer so spark plug hole is aimed at the ground. Move choke lever to "RUN" and pull starter cord 10 to 15 times. This will clear excess fuel from engine. Clean and reinstall spark plug. Pull starter three times with choke lever at "RUN". If engine does not start, move choke lever to "CHOKE" and repeat normal starting procedure. If engine still fails to start, repeat procedure with a new spark plug.</li> <li>4. Clean tube with small screwdriver or wire. Note: Some insects may build nests in muffler tube while trimmer is being stored.</li> <li>5. Contact a servicing dealer.</li> </ol>
Engine starts but will not accelerate:	Carburetor requires adjustment.	See Maintenance and Adjustment Section.
Engine starts but will only run at high speed at half choke:	Carburetor requires adjustment.	See Maintenance and Adjustment Section.
Engine does not reach full speed and emits excessive smoke:	<ol style="list-style-type: none"> <li>1. Check oil fuel mixture.</li> <li>2. Air filter dirty.</li> <li>3. Carburetor requires adjustment.</li> </ol>	<ol style="list-style-type: none"> <li>1. Use fresh fuel and the correct 2-cycle oil mix.</li> <li>2. Clean per instructions in Maintenance &amp; Adjustment Section.</li> <li>3. See Maintenance and Adjustment Section.</li> </ol>
Engine starts, runs, and accelerates but will not idle:	Carburetor requires adjustment.	See Maintenance and Adjustment Section.
String will not advance:	<ol style="list-style-type: none"> <li>1. String welded to itself.</li> <li>2. Not enough string on spool.</li> <li>3. String worn too short.</li> <li>4. String tangled on spool.</li> <li>5. Engine speed too slow.</li> </ol>	<ol style="list-style-type: none"> <li>1. Lubricate with silicone spray.</li> <li>2. Install more string (see Line Replacement).</li> <li>3. Pull strings while alternately pressing down on and releasing spool retainer.</li> <li>4. Remove string from spool and rewind (see Line Replacement).</li> <li>5. Advance string at full throttle.</li> </ol>
Grass wraps around driveshaft housing and stringhead:	<ol style="list-style-type: none"> <li>1. Cutting tall grass at ground level.</li> <li>2. Operating trimmer at part throttle.</li> </ol>	<ol style="list-style-type: none"> <li>1. Cut tall grass from the top down.</li> <li>2. Operate trimmer at full throttle.</li> </ol>
Oil drips from muffler:	<ol style="list-style-type: none"> <li>1. Operating trimmer at part throttle</li> <li>2. Check oil/fuel mixture.</li> <li>3. Air filter dirty.</li> <li>4. Carburetor requires adjustment.</li> </ol>	<ol style="list-style-type: none"> <li>1. Operate trimmer at full throttle.</li> <li>2. Use fresh fuel and the correct 2-cycle oil mix.</li> <li>3. Clean per instruction in Maintenance Section.</li> <li>4. See Maintenance and Adjustment Section.</li> </ol>
Shaft Vibrates:	<ol style="list-style-type: none"> <li>1. Trimmer Line not in balance - both lines not of same length.</li> <li>2. Line is worn out.</li> <li>3. Nylon line is bent.</li> <li>4. Grease or oil in clutch assembly (clutch housing).</li> </ol>	<ol style="list-style-type: none"> <li>1. Equalize line length at 6 inches (15cm).</li> <li>2. Replace line - equalize line length at 6 inches (15cm).</li> <li>3. Replace arbor post.</li> <li>4. Clean clutch shoes and clutch drum.</li> </ol>

**YOUR RIGHTS AND OBLIGATIONS**

The California Air Resources Board and Homelite are pleased to explain the emission control system warranty on your lawn and garden equipment engine certified to 1995-1998 California emission standards. In California, new lawn and garden equipment engines must be designed, built, and equipped to meet the State's stringent anti-smog standards. Homelite must warrant the emission control system on your engine for the period of time listed below provided that there has been no abuse, neglect, or improper maintenance of your engine. Your emission control system includes the carburetor, spark plug, and ignition module.

Where a warrantable condition exists, Homelite will repair your engine at no cost to you including diagnosis, parts, and labor.

**WARRANTY COVERAGE:**

The 1995 and later lawn and garden equipment engines are warranted for two years. If any emission related part on your engine is defective, the part will be repaired or replaced by Homelite.

**OWNER'S WARRANTY RESPONSIBILITIES:**

As the lawn and garden equipment engine owner, you are responsible for the performance of the required maintenance listed in your owner's manual. Any Homelite approved replacement part may be used in the performance of any warranty maintenance or repair. Homelite recommends that you retain all receipts covering maintenance on your lawn and garden equipment engine, but Homelite cannot deny warranty solely for the lack of receipts or for your failure to ensure the performance of all scheduled maintenance.

As the lawn and garden equipment engine owner, you should be aware, however, that Homelite may deny you warranty coverage if your lawn and garden equipment engine or a part has failed due to abuse, neglect, improper maintenance, or unapproved modifications.

You are responsible for presenting your lawn and garden equipment engine to a Homelite Authorized Servicing Dealer as soon as a problem exists. The warranty repairs should be completed in a reasonable amount of time, not to exceed 30 days.

If you have any questions regarding your warranty rights and responsibilities, you should contact Homelite's Customer Representative at 1-704-588-3200.

**LENGTH OF WARRANTY:**

The warranty period begins on the date the equipment is delivered to the initial retail purchaser. Homelite warrants to the initial purchaser and each subsequent purchaser that the engine is free from defects in materials and workmanship which cause the failure of a warranted part for a period of two years from the time the initial warranty period begins.

**WHAT IS COVERED:**

Repair or replacement of any warranted part will be performed at no charge to the owner at any Green Machine® Authorized Servicing Dealer. The dealer nearest you may be located by calling 1-800-242-4672.

Any warranted part which is not scheduled for replacement as required maintenance, or which is scheduled only for regular inspection is warranted for the warranty period. Any warranted part which is scheduled for replacement as required maintenance is warranted for the period of time up to the first scheduled replacement point.

The owner will not be charged for diagnostic labor which leads to the determination that a warranted part is defective provided the diagnostic work is performed at a Green Machine® Authorized Servicing Dealer.

Homelite is liable for damages to other engine components caused by the failure of a warranted part still under warranty.

**WHAT IS NOT COVERED:**

Failures caused by abuse, neglect, or improper maintenance are not covered by this warranty. Use of stale fuel, improper oil mix, or fuel left in the engine for longer than three months are considered abuse and neglect.

Homelite is not responsible for covering warranty failures that are caused by the use of add-on or modified parts.

**HOW TO FILE A CLAIM:**

Take your engine to a Green Machine® Authorized Servicing Dealer. If you are unable to obtain the required warranty service, call 1-704-588-3200 for instructions.

This warranty is in addition to the Limited Warranty provided with the equipment.

This Limited Warranty is in lieu of all other express warranties. Any implied warranty of fitness for a particular purpose, merchantability or otherwise, applicable to this product, shall be limited in duration to the duration of this Limited Warranty. Homelite shall not be liable for any special, incidental or consequential damages.

Some states do not allow limitations on how long an implied warranty lasts, so the above limitation may not apply to you. Some states do not allow the exclusion or limitation of incidental or consequential damages, so the above limitation or exclusion may not apply to you.

**EMISSIONS MAINTENANCE SCHEDULE AND WARRANTED PARTS LIST**

EMISSION PARTS	EVERY 6 HOURS CLEAN	EVERY 30 HOURS
		REPLACE
AIR FILTER ASSY INCLUDES: FILTER	X	X
CARBURETOR ASSY INCLUDES: HEAT DAM GASKETS		
FUEL TANK ASSY INCLUDES: FUEL LINES FUEL CAP FUEL FILTER		
IGNITION ASSY INCLUDES: SPARK PLUG SWITCH LEAD		X

ALL EMISSIONS - RELATED PARTS ARE WARRANTED FOR TWO YEARS OR FOR THE PERIOD OF TIME PRIOR TO THE PARTS FIRST SCHEDULED REPLACEMENT WHICH EVER COMES FIRST.

**▲ WARNING ▲**

The engine exhaust from this product contains chemicals known to the State of California to cause cancer, birth defects or other reproductive harm.

CALIFORNIA PROPOSITION 65

***Green Machine***<sup>®</sup>

[www.mymowerparts.com](http://www.mymowerparts.com)