



Briggs & Stratton[®]
POWER PRODUCTS

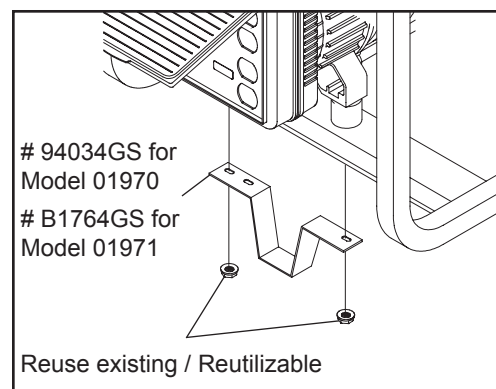
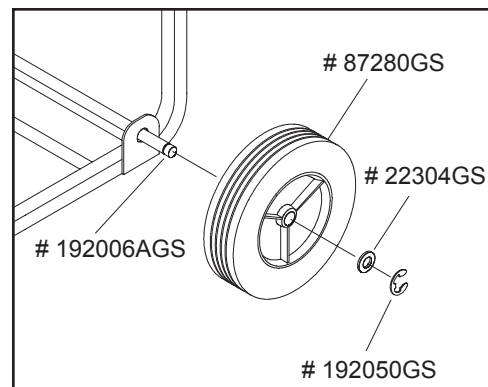
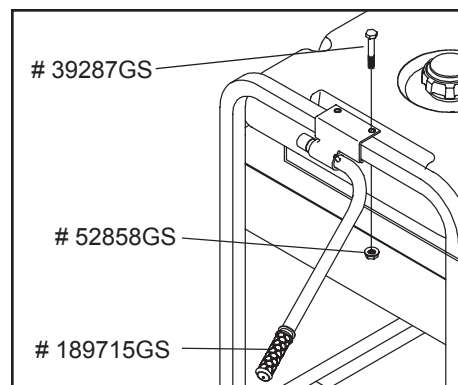
5250 running
watts

Emergency Power GENERATOR



Part Numbers Shown

Números de pieza a la vista



INSTRUCTION SHEET

HOJA DE LA INSTRUCCION

Kit Features:

- 8" Wheels
- Handle
- Axle

Características del juego:

- Ruedas de 20,32 cm (8")
- Manubrio
- Eje

POWERED BY



Part No. 193470GS
Revision 1 (01/05/2005)

BRIGGS & STRATTON POWER PRODUCTS GROUP, LLC
JEFFERSON, WISCONSIN, U.S.A.

