

For Serial Nos.
220,000 & Higher



PARTS MANUAL

TURF TRACER® HP

CONGRATULATIONS on the purchase of your new Exmark mower. This product has been carefully designed and manufactured to give you a maximum amount of dependability and years of trouble-free operation.

If additional information is needed, or should you require trained mechanic service, contact your authorized Exmark equipment dealer or distributor.

If you need to order replacement parts from your dealer, always give the model number and serial number of your mower as well as the part number, description and quantity of the part needed.

The Serial No. plate is located next to the fuel tank on the top left-hand side of the fuel tank support.

For ease of ordering and reference, we suggest that you record the information requested in the following identification table.

Model No. _____

Serial No. _____

Engine Model No. _____

Engine Serial No. _____

Date Purchased _____

Paste Label From
Literature Packet Here

EXMARK PARTS PLUS® PROGRAM

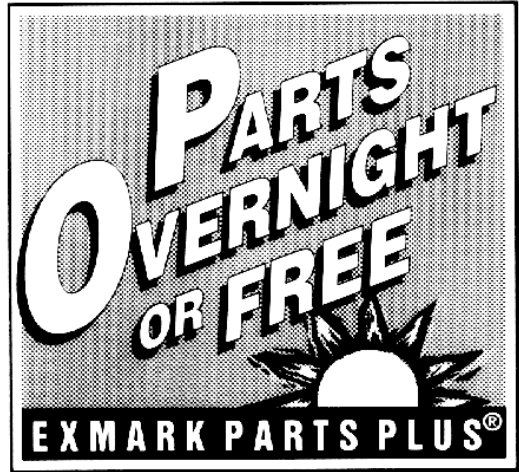
EFFECTIVE DATE: September 1, 1995

Program

If your Exmark dealer does not have the Exmark part in stock, Exmark will get the parts to the dealer the next business day or the part will be FREE* Guaranteed!!

How the Program Works

1. If dealer does not have part in stock for a "down" unit at the time of request by customer, the dealer contacts his distributor by 1:00 p.m., local time, and requests Exmark Parts Plus® shipment of six (6) line items or less.
2. Distributor ships part(s) to dealer or customer, as requested by dealer, same day, overnight UPS. Distributor bills dealer for part and freight charges where applicable.
3. If distributor does not have the part(s) in stock to satisfy Exmark Parts Plus® order, he contacts Exmark by 3:00 p.m., central time, with an Exmark Parts Plus® order of six (6) line items or less.
4. If order is received by 3:00 p.m. central time, Exmark ships part(s) direct to dealer or customer, as requested by distributor, same day, overnight UPS. Exmark bills the distributor for parts and shipping charges, where applicable.
5. The customer pays for the part and freight if it is shipped under the Exmark Parts Plus® and if it arrive in accordance to the program.
6. Who pays for the part and freight if it fails to arrive overnight in accordance to the program?
 - A. Under any circumstance the customer does not pay.
 - B. If the part does not arrive overnight due to:
 1. The dealer not submitting the Exmark Parts Plus® order to his Exmark distributor by 1:00 p.m., the dealer pays for the part and freight.
 2. The Distributor being unable to ship the part the same day or not submitting the Exmark Parts Plus® order to Exmark by 3:00 p.m., central time, the Distributor pays for the part and freight.
 3. Exmark being unable to ship the part and the Exmark parts order is received by 3:00 p.m., central time, Exmark pays for the part and freight.
 4. If the part does not arrive overnight due to the shipper (UPS), the shipper pays for the freight and Exmark pays for the part.



The following restrictions apply -- The Exmark Parts Plus® Program is available only through participating Exmark Dealers and applies only to orders submitted on this program Monday through Thursday. Parts Plus service is available only in the contiguous United States. UPS has initiated a Saturday delivery program to many areas of the continental United States and can be requested for an overnight shipment on Friday to be delivered Saturday. The next day air charge, plus the Saturday delivery fee will be the responsibility of the purchaser. Exmark Mfg. will assume no responsibility for Saturday delivery shipments. To qualify, all Exmark Parts Plus® orders must be received by Exmark by 3:00 p.m., central time. Orders must be six (6) line items or less. Exclusions from the Exmark Parts Plus® Program are: Any wholegood or accessory in its entirety, engines and engine replacement parts, 5-speed Peerless transmissions and 5-speed transaxles, hydraulic or hydrostatic wheel motors, cutter decks and engine decks or any item exceeding United Parcel Service size and weight restrictions.

Due to UPS restrictions, aerosol spray paint is considered a hazardous material and cannot be shipped via UPS next day or Second Day Air.

Exmark Manufacturing stocks a limited supply of parts for transaxles, pumps and wheel motors. These parts can be ordered for Next Day Air shipment but will not be guaranteed per the Parts Plus Program.



**READ OPERATOR'S MANUAL BEFORE
OPERATING OR SERVICING EXMARK EQUIPMENT.**

TABLE OF CONTENTS

<u>Description</u>	<u>Page</u>
Decals.....	16
Electrical Group	15
Engine Deck Group.....	8-11
52" Mower Deck	6-7
48" Mower Deck	4-5
Hydraulics Group	14
36" Mower Deck	2-3
Upper Handles & Controls	12-13
Wiring Diagrams	17

36" MOWER DECK

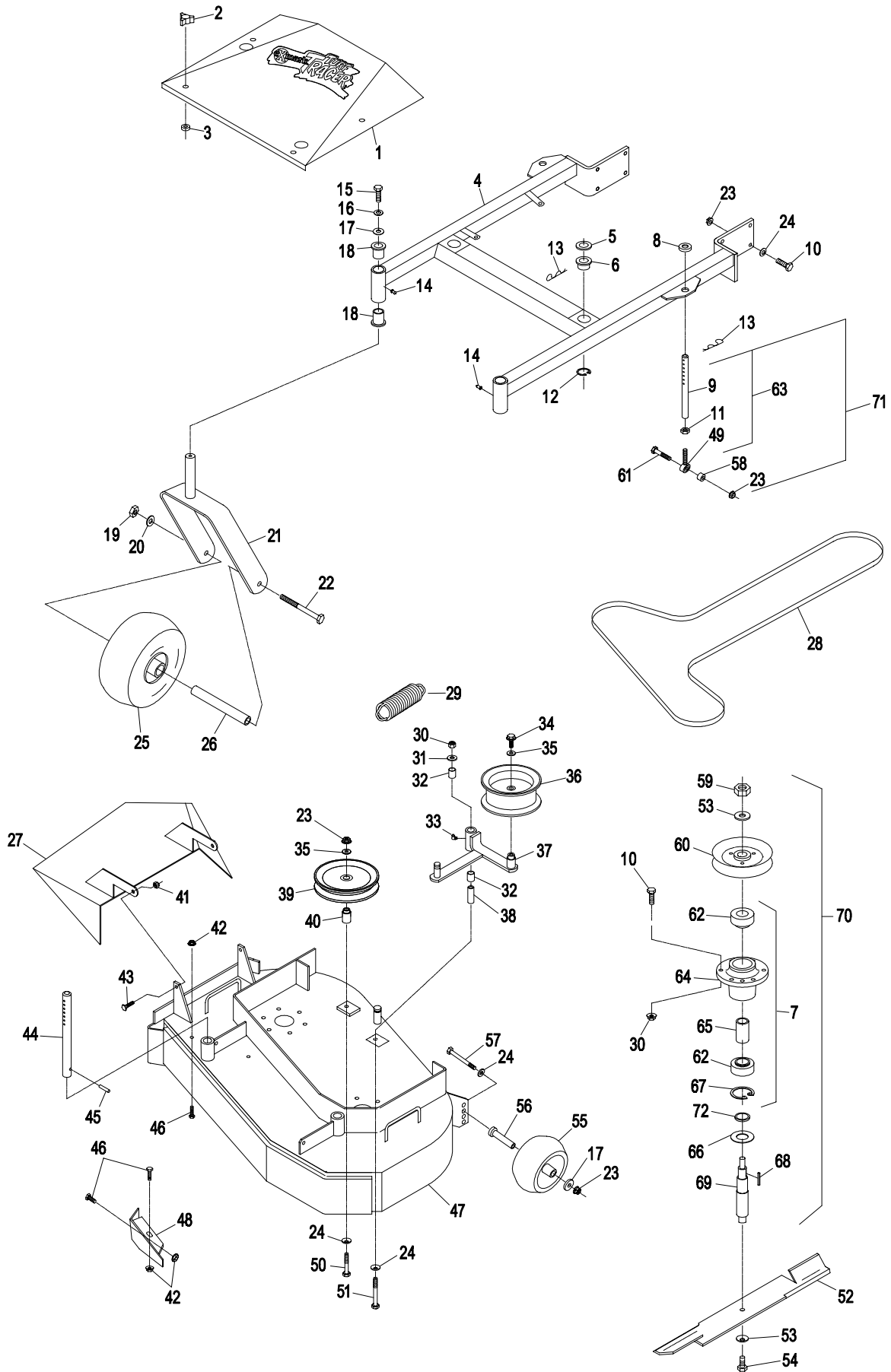
Ref. No.	Part No.	Description	Qty. Req'd.	Ref. No.	Part No.	Description	Qty. Req'd.
1	414386	Shield, belt w/decals.....	1	37	412134	Arm, weldmt	1
	413098	Shield, belt.....	1		414144	Arm, weldmt w/bushings	1
2	323385	Knob, belt shield.....	4	38	603384	Bushing, Idler Pivot	1
3	800270	Screw, 5/16-18 x 5/8	7	39	613098	Pulley, Idler	1
4	414309	Support weldmt w/bushings & decals	1	40	413113	Bushing, Idler	1
	412108	Support weldmt	1	41	804256	Nut, Nyloc 5/16-18.....	2
5	413425	Spacer, Front Deck Support.....	2	42	809001	Nut, Whizlock 5/16-18.....	3
6	513336	Bushing, deck support.....	2	43	800273	Screw, Hex Cap 5/16-18.....	3
7	634619	Housing w/Brgs, Spacer & Ring	2	44	603001	Rod, Deck Support.....	2
8	303164	Spacer, Blade Drive	2	45	806332	Rollpin, 1/4x1 1/2	2
9	413525	Link, Deck Support.....	2	46	800270	Screw, Hex Cap 5/16-18 x 1	2
10	800293	Screw, Hex Cap 3/8-16 x 1 1/4	20	47	414383	Deck weldmt w/decals, discharge Baffle & support rods	1
11	804525	Nut, Reg Hex 3/8-24.....	2		412104	Deck weldmt.....	1
12	808507	Ring, Retaining	2	48	522480	Baffle, discharge	1
13	806009	Hairpin, Cotter .177 #206	4	49	613204	Ball Joint.....	2
14	811001	Zerk, Straight 1/8.....	2	50	800299	Screw, Hex Cap 3/8-16 x 2 3/4	1
15	800292	Screw, Hex Cap 3/8-16x1	2	51	800805	Screw, Hex Cap 3/8-16 x 3 1/2 G8	1
16	805006	Washer, 3/8 heavy spring.....	2	52	633482	Blade, 18.00 notched air foil.....	2
17	373034	Washer, Swivel.....	3		613251	Blade, 18.00 solid air foil	2
18	303514	Bearing, Flange	4	•	513208	Blade, 18.00 mulching.....	2
19	804509	Nut, Reg Hex 1/2-13.....	2		633485	Blade, 18.00 low lift (optional)	2
20	805008	Washer, Lock Hlcl Spg 1/2 Reg	2	53	513208	Washer, Spring disc.....	4
21	522143	Caster weldment	2	54	800848	Screw, Hex Cap 5/8-11 x 1 G8	2
22	800334	Screw, Hex Cap 1/2-13x6	2	55	603299	Roller, antiscalp.....	1
23	809007	Nut, Whizlock 3/8-16.....	12	56	603602	Bushing, roller	1
24	98-5975	Washer, Disc Spring 3/8.....	11	57	800807	Screw, Hex Cap 3/8-16x1 3/4	2
25	513648	Tire & Wheel Assembly	2	58	603050	Bushing Spacer.....	2
	513807	Wheel & Hub.....	2	59	804510	Nut, Reg hex 5/8-18	2
	513808	Tire, 9x3/5-4 4-ply	2	60 *	413424	Sheave w/Hub.....	2
	513809	Roller Bearing	2	61	800295	Screw, hex Cap 3/8-16x1 3/4.....	2
	813810	Bushing	4	62 *	513016	Bearing 8	2
26	513547	Spacer	2	63	414521	Link, Assembly.....	2
27	412238	Chute weldment, discharge	1	64	323532	Housing, Spindle	2
28	413094	Belt, deck drive.....	1	65	323528	Spacer, Bearing	2
29	633151	Spring, extension.....	1	66	633573	Guard, Bearing-Bottom	2
30	804257	Nut, Nyloc 3/8-16.....	13	67	808502	Ring, Snap	2
31	805260	Washer, Flat Std 3/8	1	68	807268	Key, machine	2
32	513034	Pivot, Bearing.....	2	69	413330	Shaft, Spindle	2
33	811008	Zerk, 90 degree 1/4-28	1	70	414335	Housing, Cutter Assembly.....	2
34	803016	Bolt, Hex Whizlock 3/8-16x1	1	71	611216	Kit, Link Assembly.....	2
35	805259	Washer, Flat 3/8 SAE	2	72	323533	Spacer	2
36	413099	Pulley, Idler	1				

• Requires installation of Micro-Mulch accessory for proper mulching. Mulch kit P/N MK362(36")

* Use antisieze on bore of sheaves and bearings.

Exmark red touch up spray paint - P/N 850337

36" MOWER DECK



48" MOWER DECK

Ref. No.	Part No.	Description	Qty. Req'd.	Ref. No.	Part No.	Description	Qty. Req'd.
1	414387	Shield, belt w/decals.....	1	38	603384	Bushing, Idler Pivot	1
	413101	Shield, belt.....	1	39	613098	Pulley, Idler	2
2	323385	Knob, belt shield.....	4	40	413113	Bushing, Idler	2
3	323417	Washer, belt cover.....	4	41	804256	Nut, Nyloc 5/16-18.....	8
4	414310	Support weldmt w/bushings & decals	1	42	809001	Nut, Whizlock 5/16-18.....	5
	412110	Support weldmt	1	43	800273	Screw, Hex Cap 5/16-18.....	2
5	413425	Spacer, Front Deck Support.....	2	44	603001	Rod, Deck Support.....	2
6	513336	Bushing, deck support.....	2	45	806332	Rollpin, 1/4x1 1/2	2
7	634619	Housing w/Brgs, Spacer & Ring	3	46	800270	Screw, Hex Cap 5/16-18 x 1	3
8	303164	Spacer, Blade Drive	2	47	414384	Deck weldmt w/decals, discharge Baffle & support rods	1
9	413525	Link, Deck Support.....	2		412106	Deck weldmt.....	1
10	800293	Screw, Hex Cap 3/8-16 x 1 1/4	26	48	522480	Baffle, discharge	1
*	800293	Screw, Hex Cap 3/8-16 x 1 1/4	22	49	613204	Ball Joint.....	2
11	804525	Nut, Reg Hex 3/8-24.....	2	50	800299	Screw, Hex Cap 3/8-16 x 2 3/4	2
12	808507	Ring, Retaining	2	51	800805	Screw, Hex Cap 3/8-16 x 3 1/2 G8	1
13	806009	Hairpin, Cotter .177 #206	4	52	323515	Blade, 16.25 notched air foil.....	3
14	811001	Zerk, Straight 1/8.....	2		413438	Blade, 16.25 solid air foil	3
15	800292	Screw, Hex Cap 3/8-16x1	2	•	403148	Blade, 16.25 mulching.....	3
16	805006	Washer, 3/8 heavy spring.....	2		403149	Blade, 16.25 low lift (optional)	3
17	373034	Washer, Swivel.....	6	53	513208	Washer, Spring disc.....	6
18	303514	Bearing, Flange	4	54	800848	Screw, Hex Cap 5/8-11 x 1 G8	3
19	804509	Nut, Reg Hex 1/2-13.....	2	55	603299	Roller, antiscalp.....	4
20	805008	Washer, Lock Hlcl Spg 1/2 Reg	2	56	603602	Bushing, roller	4
21	522143	Caster weldment	2	57	800807	Screw, Hex Cap 3/8-16x1 3/4	4
22	800334	Screw, Hex Cap 1/2-13x6	2	58	603050	Bushing Spacer.....	2
23	809007	Nut, Whizlock 3/8-16.....	16	59	804510	Nut, Reg hex 5/8-18	3
24	98-5975	Washer, Disc Spring 3/8.....	15	60*	413424	Sheave w/Hub.....	3
25	513648	Tire & Wheel Assembly	2	61	800295	Screw, hex Cap 3/8-16x1 3/4.....	2
	513807	Wheel & Hub.....	2	62*	513016	Bearing 6	
	513808	Tire, 9x3/5-4 4-ply	2	63	414521	Link, Assembly.....	2
	513809	Roller Bearing	2	64	323532	Housing, Spindle	3
	813810	Bushing	4	65	323528	Spacer, Bearing	3
26	513547	Spacer	2	66	633573	Guard, Bearing-Bottom	3
27	522478	Chute weldment, discharge	1	67	808502	Ring, Snap	3
28	413093	Belt, deck drive.....	1	68	807268	Key, machine	3
29	633151	Spring, extension.....	1	69	413330	Shaft, Spindle	3
30	804257	Nut, Nyloc 3/8-16.....	19	70	414335	Housing, Cutter Assembly.....	3
31	805260	Washer, Flat Std 3/8	1	71	653482	Shield, Belt	2
32	513034	Pivot, Bearing.....	2	72	805258	Washer, Flat Std 5/16	6
33	811008	Zerk, 90 degree 1/4-28	1	73	800017	Bolt, Hex Tap 5/16-18 3 1/4	2
34	803016	Bolt, Hex Whizlock 3/8-16x1	1	74	611216	Kit, Link Assembly.....	2
35	805259	Washer, Flat 3/8 SAE	2	75	323533	Spacer	3
36	413099	Pulley, Idler	1	76*	800294	Screw, Hex Cap 3/8-16x1 1/2	4
37	412394	Arm, weldmt.....	1				
	414398	Arm, weldmt w/bushings.....	1				

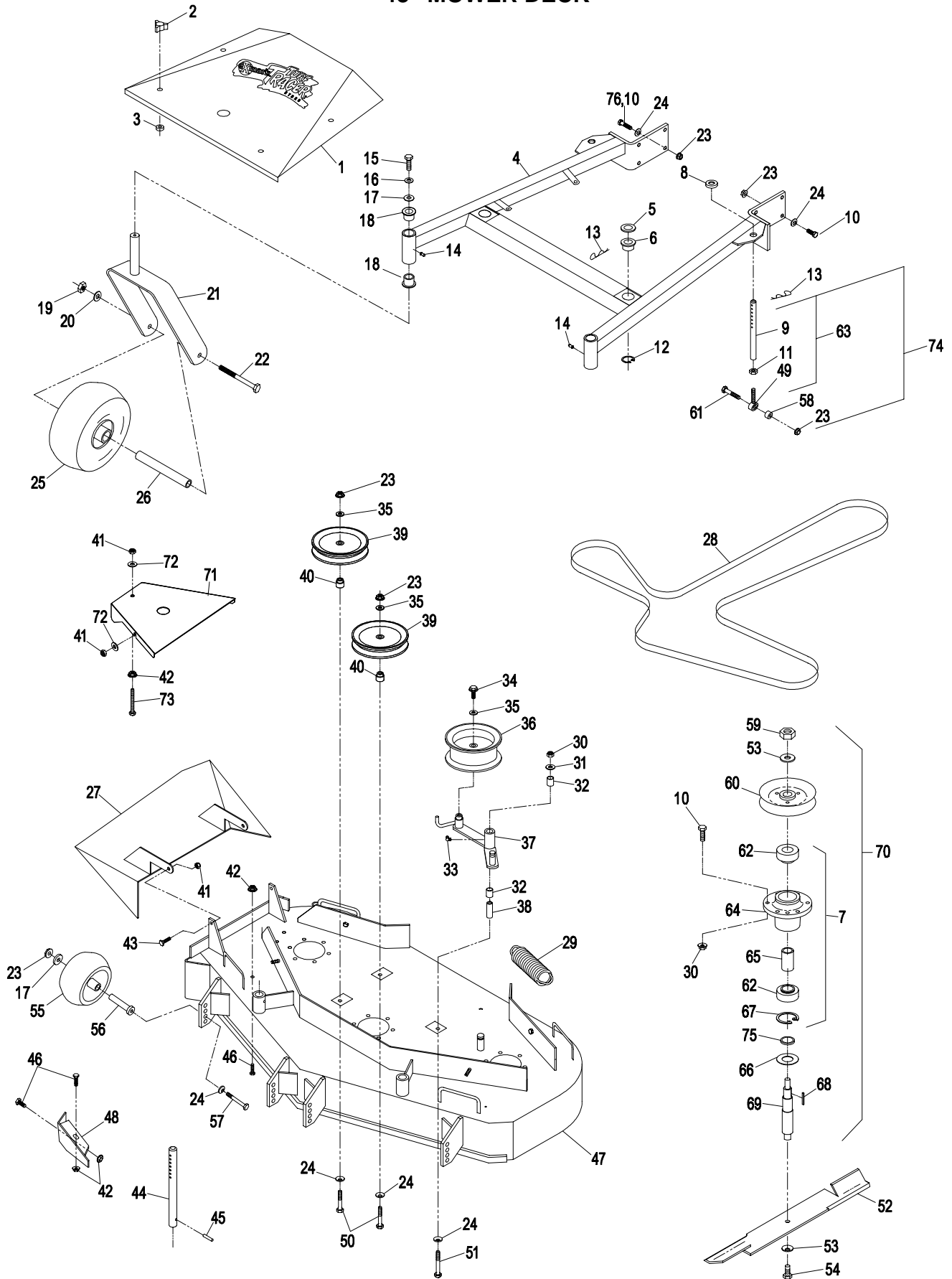
• Requires installation of Micro-Mulch accessory for proper mulching. Mulch kit P/N MK483(48")

* Use antisieze on bore of sheaves and bearings.
Exmark red touch up spray paint - P/N 850337

✧ Manual start only

* Electric start only

48" MOWER DECK



52" MOWER DECK

Ref. No.	Part No.	Description	Qty. Req'd.	Ref. No.	Part No.	Description	Qty. Req'd.
1	414388	Shield, belt w/decals	1	37	412194	Arm, weldmt.....	1
	413303	Shield, belt	1		414398	Arm, weldmt w/bushings.....	1
2	323385	Knob, belt shield	5	38	603384	Bushing, Idler Pivot.....	1
3	323417	Washer, belt cover	5	39	613098	Pulley, Idler	2
4	414311	Support weldmt w/bushings & decals	1	40	413113	Bushing, Idler.....	2
	412317	Support weldmt	1	41	804256	Nut, Nyloc 5/16-18	2
5	413425	Spacer, Front Deck Support	2	42	809001	Nut, Whizlock 5/16-18	4
6	513336	Bushing, deck support	2	43	800273	Screw, Hex Cap 5/16-18	2
7	611216	Kit, Link Assembly	2	44	603001	Rod, Deck Support	2
8	303164	Spacer, Blade Drive.....	2	45	806332	Rollpin, 1/4x1 1/2	2
9	413525	Link, Deck Support	2	46	800270	Screw, Hex Cap 5/16-18 x 1.....	4
10	800293	Screw, Hex Cap 3/8-16 x 1 1/4.....	26	47	414385	Deck weldmt w/decals, discharge Baffle & support rods	1
11	804525	Nut, Reg Hex 3/8-24	2		412313	Deck weldmt	1
12	808507	Ring, Retaining	2	48	602913	Baffle, discharge.....	1
13	806009	Hairpin, Cotter .177 #206.....	4	49	613204	Ball Joint	2
14	811001	Zerk, Straight 1/8	2	50	800299	Screw, Hex Cap 3/8-16 x 2 3/4.....	2
15	800292	Screw, Hex Cap 3/8-16x1	2	51	800805	Screw, Hex Cap 3/8-16 x 3 1/2 G8.....	1
16	805006	Washer, 3/8 heavy spring	2	52	633482	Blade, 18.00 notched air foil	3
17	373034	Washer, Swivel.....	8		613251	Blade, 18.00 solid air foil.....	3
18	303514	Bearing, Flange.....	4		633484	Blade, 18.00 mulching	3
19	804509	Nut, Reg Hex 1/2-13.....	2		633485	Blade, 18.00 low lift (optional).....	3
20	805008	Washer, Lock Hlcl Spg 1/2 Reg.....	2	53	513208	Washer, Spring disc	6
21	522143	Caster weldment.....	2	54	800848	Screw, Hex Cap 5/8-11 x 1 G8.....	3
22	800334	Screw, Hex Cap 1/2-13x6.....	2	55	603299	Roller, antiscalp	6
23	809007	Nut, Whizlock 3/8-16	18	56	603602	Bushing, roller.....	6
24	98-5975	Washer, Disc Spring 3/8	17	57	800807	Screw, Hex Cap 3/8-16x1 3/4.....	6
25	513648	Tire & Wheel Assembly.....	2	58	603050	Bushing Spacer	2
	513807	Wheel & Hub	2	59	804510	Nut, Reg hex 5/8-18	3
	513808	Tire, 9x3/5-4 4-ply.....	2	60 *	413424	Sheave w/Hub	3
	513809	Roller Bearing.....	2	61	800295	Screw, hex Cap 3/8-16x1 3/4	2
	813810	Bushing	4	62 *	513016	Bearing 6	
26	513547	Spacer	2	63	414521	Link, Assembly	2
27	602571	Chute weldment, discharge.....	1	64	323532	Housing, Spindle	3
28	413308	Belt, deck drive	1	65	323528	Spacer, Bearing.....	3
29	633151	Spring, extension	1	66	633573	Guard, Bearing-Bottom.....	3
30	804257	Nut, Nyloc 3/8-16	27	67	808502	Ring, Snap	3
31	805260	Washer, Flat Std 3/8.....	9	68	807268	Key, machine	3
32	513034	Pivot, Bearing	2	69	413330	Shaft, Spindle	3
33	811008	Zerk, 90 degree 1/4-28.....	1	70	414335	Housing, Cutter Assembly	3
34	803016	Bolt, Hex Whizlock 3/8-16x1	1	71	413305	Shield, Belt.....	2
35	805259	Washer, Flat 3/8 SAE.....	3	72	323533	Spacer	3
36	413099	Pulley, Idler.....	1	73	634619	Housing w/brgs, spacer & ring.....	3

• Requires installation of Micro-Mulch accessory for proper mulching. Mulch kit P/N MK523(52")

* Use antisieze on bore of sheaves and bearings.
Exmark red touch up spray paint - P/N 850337

ENGINE DECK GROUP

Ref. No.	Part No.	Description	Qty. Req'd.	Ref. No.	Part No.	Description	Qty. Req'd.
1	800297	Screw, 3/8-16 x 2-1/4.....	2	39	413004	Sheave assy, drive	1
•	800297	Screw, 3/8-16 x 2-1/4	1	40	603609	Bushing	1
2	98-5975	Washer, 3/8 disc spring	11	41	373034	Washer, pivot	2
3	603044	Bushing	2	42	603610	Washer (Koh & 15&17 Kaw) ...	2
4	513034	Bearing, pivot	4	43▽	800819	Screw,7/16-20x2-1/2	1
5	811006	Zerk, straight	1			(Koh 15 & 17 HP Kaw)	
6	412285	Link weldmt, pivot	1	44	805259	Washer, 3/8 SAE flat.....	1
	414143	Link weldmt, pivot w/brgs.....	1	45	603843	Pulley, idler	1
7	800274	Screw, 5/16-18 x 1-1/4.....	1	46	603496	Bushing - Idler	1
8	800254	Screw, 1/4-20 x 1	2	47	603402	Spring, extension	1
9	809012	Nut, 1/4-20 whizlock.....	4	48	412136	Idler arm weldmt.....	1
10	523498	Spring, motion control.....	1		414141	Idler arm weldmt w/brgs.....	1
11	513113	Spring, belt tension	1	49	811007	Zerk, 45 degree.....	2
12	543007	Spacer.....	1	50	800299	Screw, 3/8-16 x 2-3/4	1
13	213069	Washer	2	51	800295	Screw, 3/8-16 x 1-3/4	2
14	804256	Nut, 5/16-18 nylock	3	52★	809069	Screw, #10-24 x 7/8	1
15	805260	Washer, 3/8 std flat.....	2	53★	323365	Chain, cold start	1
16	809007	Nut, 3/8-16 whizlock.....	18	54★	805252	Washer, 7/32 std flat	1
•	809007	Nut, 3/8-16 whizlock.....	16	55★	804252	Nut, #10-24 nylock	1
17	413282	Linkage	1	56	807272	Key, 5mm sq x 25mm	2
18	806003	Hairpin cotter.....	1	57▽	803050	Setscrew,sq hd cuppoint	4
19	412515	Deck weldmt, engine	1	58	413095	Belt, pump drive	1
20	800290	Screw, 3/8-16 x 3/4	2	59◇	413010	Sheave, pump drive	2
21	633068	Arm	1	60	413096	Belt, blade clutch.....	1
22	809001	Nut, 5/16-18 whizlock.....	11	61	807259	Key, 1/4 sq x 1.....	2
	809001	Nut, 5/16-18 wzlk (17&15Kaw)	15	62◇	412011	Sheave w/shaft.....	1
23	303334	Washer, 5/16 disc spring	5	63◇	413111	Bearing, clutch	2
24★	322110	Guide weldmt, belt (17&15 Kaw) ...	1	64	808502	Ring, retaining	2
25	809072	Screw, m8x1.25x25 (Koh)	3	65	413012	Spacer, bearing.....	1
★	800275	Screw, 5/16-18x1-1/2(17&15Kaw). 3		66	523157	Washer, spacer.....	1
•	800275	Screw, 5/16-18x1-1/2.....	4	67	413049	Plate, clutch pivot	1
26	809018	Screw, m8x1.25x30 (Koh)	1	68	800273	Screw, 5/16-18 x 1	6
★	800276	Screw, 5/16-18x1-3/4(17&15Kaw). 1		69	413207	Pivot, bearing	2
27	805258	Washer, 5/16 std flat.....	2	70	412417	Arm weldmt, clutch.....	1
28★	323366	Ring, split	1		414418	Arm weldmt, clutch w/brgs	1
29	804257	Nut, 3/8-16 nylock.....	5	71	413235	Washer, spacer.....	1
30	800292	Screw, 3/8-16 x 1	8	72	412138	Pin weldmt, pivot	1
31	412080	Mount, wheel motor 36".....	2	73	800271	Screw, 5/16-18 x 3/4	3
	412082	Mount, wheel motor 48"&52"	2	74	413062	Band, brake.....	1
32	803045	Screw.3/8-16 x 3/4 whizlock	8	75	800294	Screw, 3/8-16 x 1 1/2	2
33◇	602997	Hub, four bolt w/studs	2	76	412325	Guide weldmt, belt	1
	633926	Stud.....	8	77◇	412031	Sheave w/drum (36" & 52")	1
34	413473	Wheel & tire assy.....	2		412028	Sheave w/drum (48").....	1
	413474	Tire 16 x 6.50-8.....	2	78▽	800521	Screw, 3/8-24 x 1	1
	603715	Wheel.....	2	79	413009	Plate, guard.....	1
35	513011	Nut, wheel 1/4-20.....	8	80	323607	Shield, trailing.....	1
36	803040	Nut, slotted 3/4-16.....	2	81	413510	Clip, loom - .50.....	2
37	806800	Pin, cotter 9/64 x 1-1/2.....	2	82	413511	Hanger, drag shield.....	2
38	807264	Key, 1/4sq x 2-5/8.....	1				

▽ Use Pro-Lock (nut type, Part no. 840022, 5 ml tube):

- on setscrew threads.
- on sheave retaining bolt in engine crankshaft.
- on sheave retaining bolt on clutch arm.

Exmark red touch up spray paint - P/N 850337

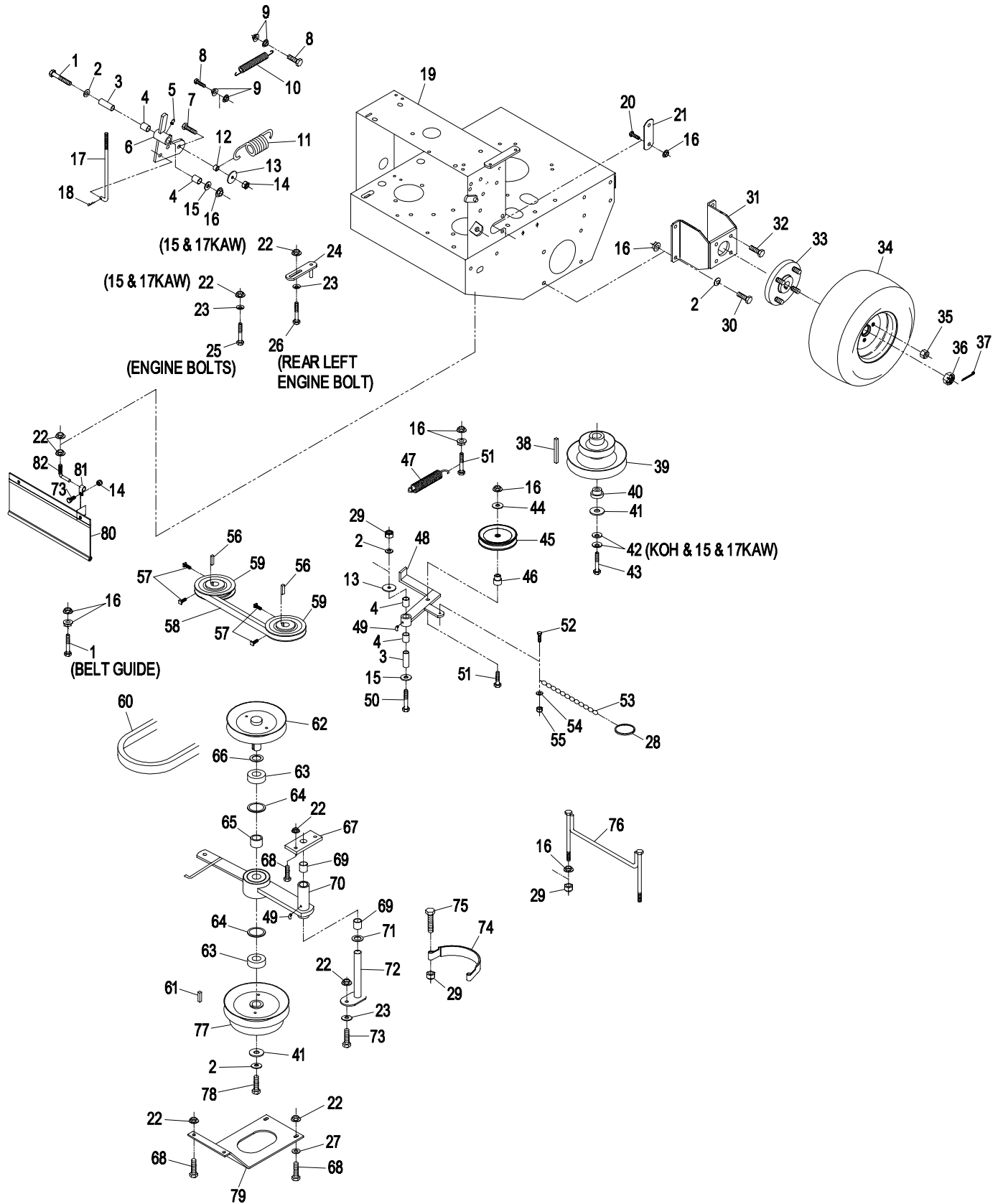
- Electric start only

◇ Apply antiseize to:

- between engine crankshaft and pump and blade drive sheave.
- between sheave w/shaft and bearing bores and sheave w/drum.
- between wheel hub and motor shafts.
- between pump shafts and sheaves.

- ★ Manual start only

ENGINE DECK GROUP



ENGINE DECK GROUP (con't.)

Ref. No.	Part No.	Description	Qty. Req'd.	Ref. No.	Part No.	Description	Qty. Req'd.
1	323245	Spring	1	34	808520	Klipring	2
2	809001	Nut, 5/16-18 whizlock	18	35	800274	Screw, 5/16-18 x 1-1/4	2
3	804256	Nut, 5/16-18 nylock	4	36	806753	Cotter pin, 3/32 x 1/2	2
4	613089	Tab, spring extension	2	37	603903	Spacer	1
5	603693	Spring, extension.....	2	38	403180	Screw, CapHH 5/16-18x1 3/8sp 2	
6	413201	Shield, hydro.....	2	39◆	809056	Bolt, .375 x .375 hx skt hd shldr	2
7	800302	Screw, 3/8-16 x 4	7	40	805259	Washer, 3/8 SAE flat	2
8	811006	Zerk, 1/4-28	2	41	413151	Knob	1
9	800271	Screw, 5/16-18 x 3/4	4	42	809007	Nut, 3/8-16 whizlock	6
10	805005	Washer, 5/16 hvy spr lock	4	43	800292	Screw, 3/8-16 x 1	6
11	805256	Washer, 1/4 std flat	6	44	413252	Bracket, sulky LH.....	1
12	809007	Nut, 3/8-16 whizlock	8	45	413254	Bracket, sulky RH	1
13	323195	Spacer, shield.....	4	46	411255	Sulky kit	1
14	633102	Bearing, side flange.....	2	47◇	413505	Valve, oil drain	1
15	323197	Spacer, shield.....	4	48◇	413506	O-ring.....	1
16	603737	Bolt, neutral return.....	2	49*	303431	Elbow (Koh)	1
17	603807	Spring, neutral return.....	2	50*	323326	Nipple, pipe (Koh)	1
18	603735	Bushing, nylon	2	51*	543233	Cap (Koh)	1
19	804521	Nut, 5/16-24 hex.....	7	52◇	543891	Battery cover.....	1
20	303105	Yoke	2	53◇	603479	Battery - 12V MNFLD.....	1
21	808280	Clevis pin, 5/16 x 1	2	54◇	412535	Stand, battery - wldmt.....	1
22	806003	Hairpin cotter	2	55◇	413541	Trim-lok.....	1
23	804758	Nut, 5/16-24 jam.....	2	56◇	543882	Bolt-hold down	2
24	413350	Rod, control	2	57◇	543792	Wingnut, nylock 1/4-20	2
25	412203	Crank weldmt	1	58◇	800252	Screw Cap HH 1/4-20 X 3/4	2
26	413219	Rod, drive lever	2	59◇	809012	Nut 1/4-20 whizlock	2
27	805257	Washer, 5/16 SAE.....	7	60◇	543390	Insulator, battery -	1
28	603676	Swivel, short	2	61◇	413540	Battery cable	1
29	800016	Tap Bolt 5/16-18 x 1-1/4.....	2	62●	800303	Screw,3/8-16 x 4 1/2.....	1
30	413227	Swivel, drive lever.....	2	◇	800302	Screw,3/8-16 x 4.....	1
31◆	803022	Setscrew, 5/16-18x5/8.....	2	63●	804257	Nut,3/8-16 nylock	1
32	402110	Arm weldmt, LH.....	1	64	414507	Kit, oil drain valve.....	1
33	402111	Arm weldmt, RH.....	1				

◆Use Pro-Lock nut type, Part No. 840022 (.5 ml tube) on shoulder bolt & setscrew threads.

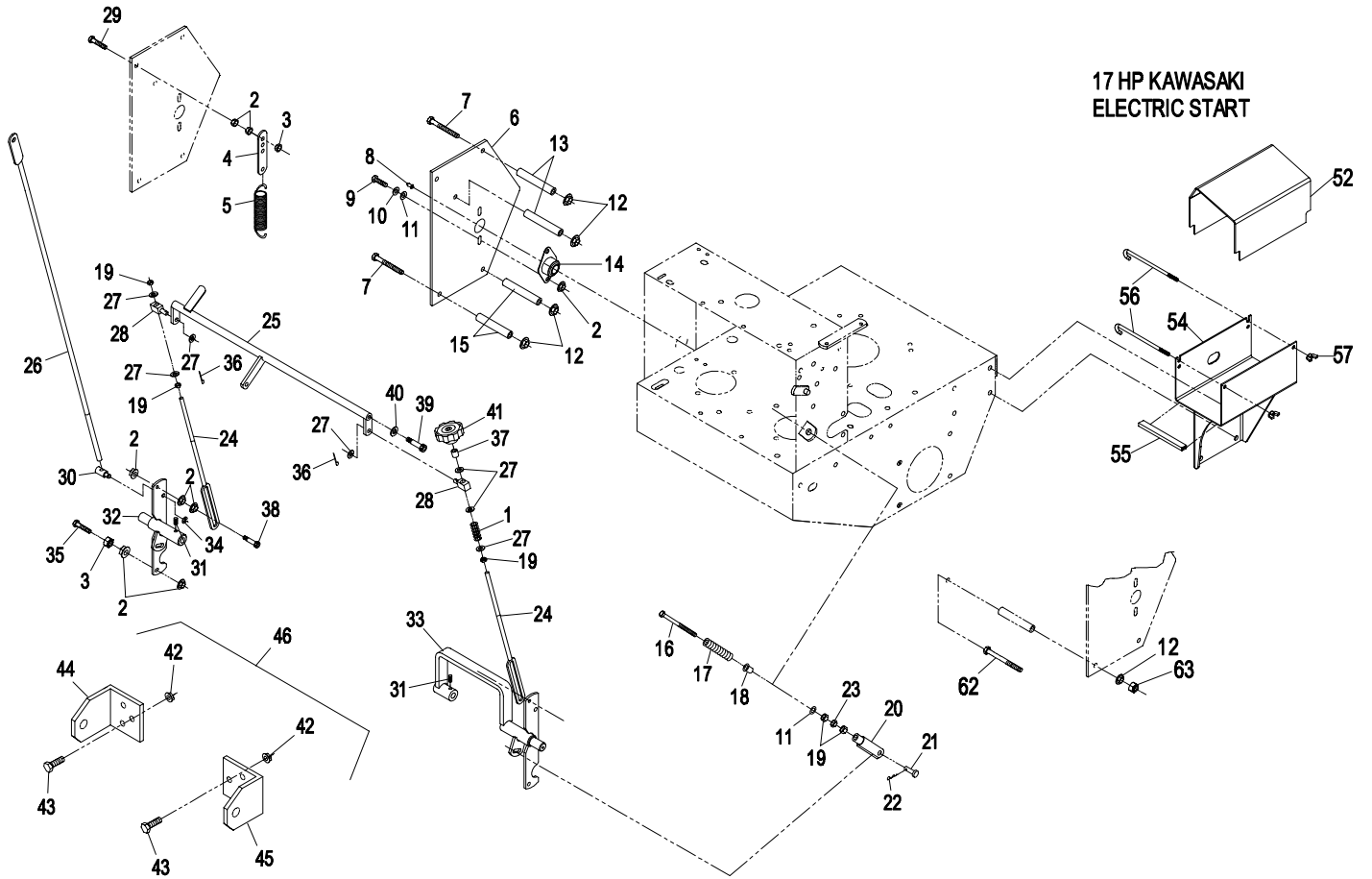
Exmark red touch up spray paint - PN 850337

◇ Electric start only

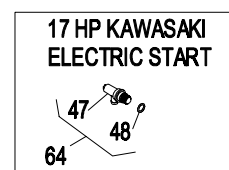
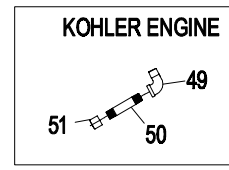
● Manual start only

* Use a Teflon pipe sealant or equivalent on pipe threads.

ENGINE DECK GROUP (con't.)



**17 HP KAWASAKI
ELECTRIC START**



UPPER HANDLES and CONTROLS

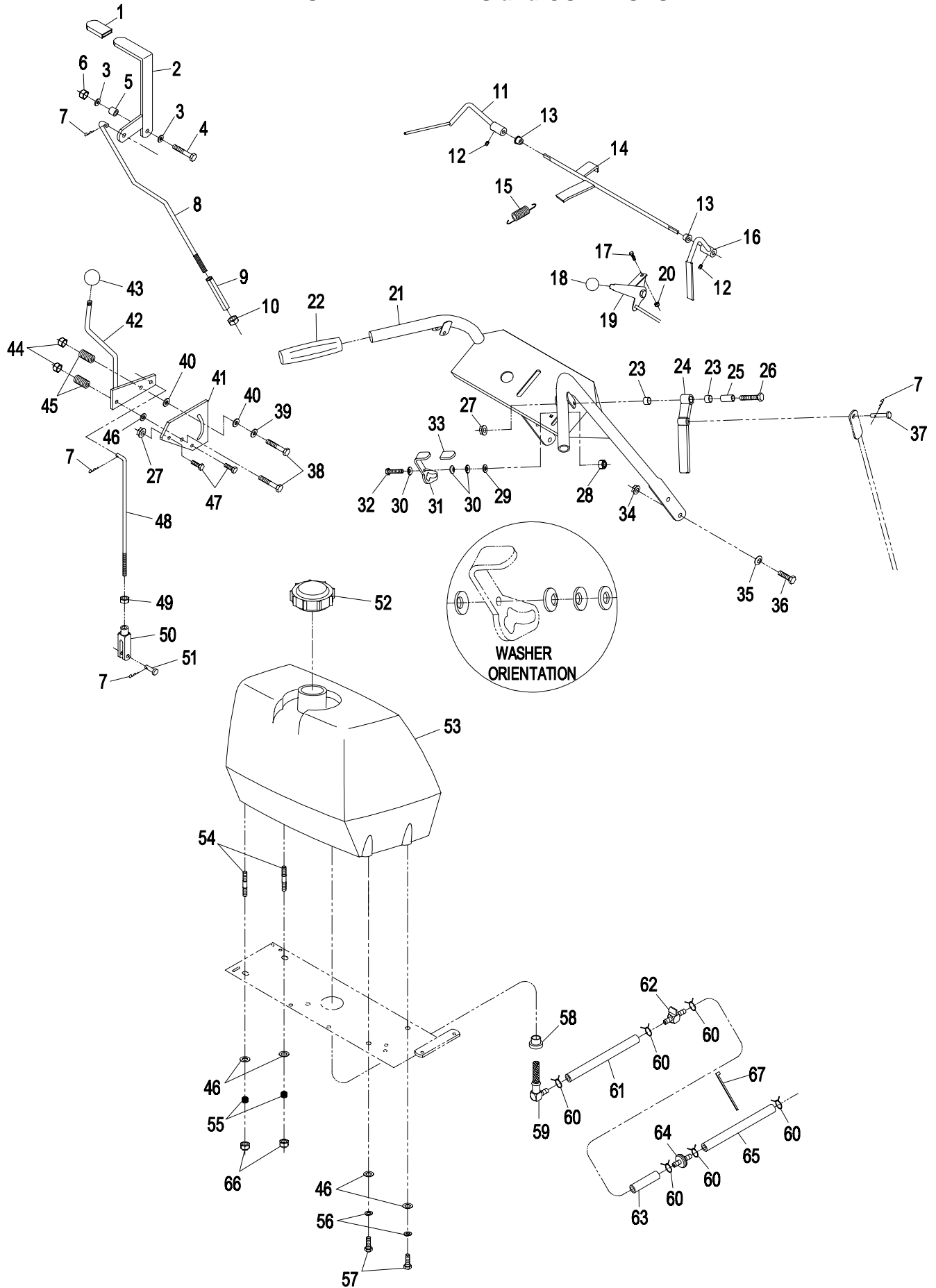
Ref. No.	Part No.	Description	Qty. Req'd.	Ref. No.	Part No.	Description	Qty. Req'd.
1	303020	Grip	1	34	809007	Nut, 3/8-16 whizlock.....	4
2	412295	Lever wldmt, blade engage	1	35	98-5975	Washer, 3/8 disc spring	4
3	805260	Washer, 3/8 std flat	2	36	800292	Screw, 3/8-16 x 1	4
4	800295	Screw, 3/8-16 x 1-3/4	1	37	613055	Pin, clevis.....	2
5	413088	Spacer.....	1	38	800277	Screw, 5/16-18 x 2	2
6	804257	Nut, 3/8-16 nylock	1	39	603716	Washer, friction disc	1
7	806003	Hairpin cotter.....	5	40	323244	Washer, friction.....	2
8	413293	Rod, blade engagement.....	1	41	603730	Plate, shifter lever	1
9	413279	Turnbuckle	1	42	602733	Lever weldmt, shift.....	1
10	804507	Nut, 3/8-16 hex.....	1	43♦	603175	Knob.....	1
11∇	412183	Lever weldmt opc LH	1	44	804256	Nut, 5/16-18 nylock	2
12♦	803322	Setscrew, 5/16-24 x 5/16	2	45	323245	Spring, compression	2
13	303365	Bushing, nylon.....	2	46	805257	Washer 5/16 SAE flat	5
14	322192	Rod weldmt, opc	1	47	800251	Screw, 1/4-20 x 5/8.....	2
15	303363	Spring, actuator.....	1	48	413225	Rod, speed control.....	1
16∇	412185	Lever weldmt, opc RH.....	1	49	804758	Nut, 5/16-24 jam	1
17	807513	Bolt, #10-24 x 1/2 carriage	2	50	303105	Yoke.....	1
18	513592	Knob, red throttle.....	1	51	808280	Clevis pin 5/16 x 1.....	1
19	323129	Throttle control (Koh)	1	52	513508	Cap, fuel.....	1
	413428	Throttle control (17&15 Kaw) ..	1	53	413179	Tank, fuel	1
20	804252	Nut, #10-24 nylock	4	54∇	633023	Stud, fuel tank.....	2
21	412448	Handle weldmt, upper	1	55	633349	Spring, fuel tank.....	2
22	303097	Grip, handle.....	2	56	805005	Washer, 5/16 hvy lock	2
23	413152	Bearing.....	4	57	800271	Screw, 5/16-18 x 3/4.....	2
24	412159	Lever, drive LH.....	1	58	513645	Bushing, fuel valve	1
	412161	Lever, drive RH (shown)	1	59	543277	Elbow, fuel tank.....	1
25	603749	Bushing, drive lever.....	2	60	303077	Clamp, fuel line (17&15 Kaw) .	4
26	800256	Screw, 1/4-20 x 1-1/2	2		303077	Clamp, fuel line (Koh)	6
27	809012	Nut, 1/4-20 whizlock	4	61	603955	Hose, fuel line 6"	1
28	804255	Nut, 1/4-20 Nylock.....	3	62	603770	Valve, fuel	1
29	805256	Washer 1/4 std flat	3	63	603776	Hose, fuel line 2.5" (Koh)	1
30	303435	Washer, 1/4 disc spr (shown) .	6		303022	Hose, fuel line 8.5"(17&15 Kaw)	1
31	612168	Thumb latch w/grip RH.....	1	64	303197	Filter, fuel	1
	612167	Thumb latch w/grip LH	1	65	603954	Hose, fuel line 13.75" (Koh)	1
32	800257	Screw, 1/4-20 x 1-3/4	2	66	804267	Nut, nyloc thin 5/16-18	2
33	303019	Grip, latch.....	2	67	303335	Tie, plastic.....	1

♦ Use Pro-Lock nut type, Part no. 840022 (.5cc tube) on setscrew threads and on shifter knob threads.

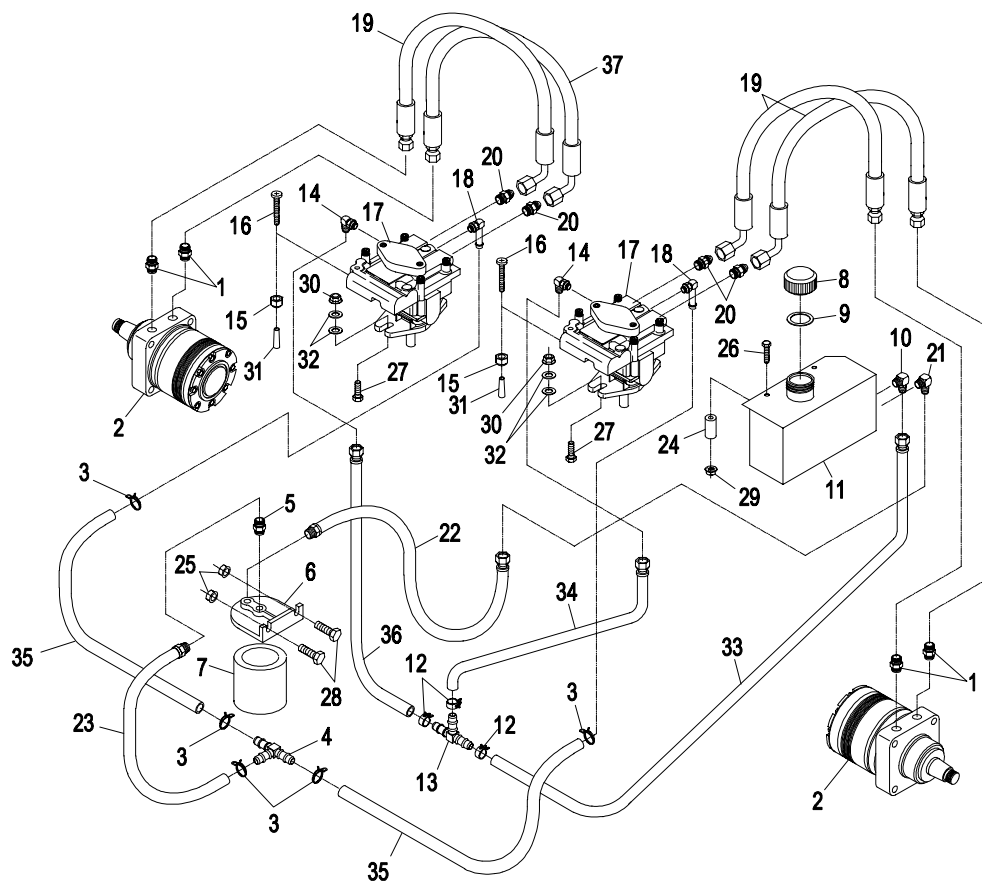
∇ Use Pro-Lock retaining type, Part no. 840023 (.5cc tube) on inside of bore of OPC hub and on fuel tank studs.

Exmark black touch up spray paint - Gloss black

UPPER HANDLES and CONTROLS



HYDRAULICS GROUP



Ref. No.	Part No.	Description	Qty. Req'd.	Ref. No.	Part No.	Description	Qty. Req'd.
1	603991	Fitting, strght connector	4	18	603989	Elbow, 90°	2
	603919	Boss O-Ring	1		603923	O-Ring	1
	603992	Flare O-Ring	1	19	613034	Hose, high pressure	3
2	603718	Wheel motor	2	20	603990	Adapter, straight thread.....	4
	000138	Kit, Bearing	1		603920	Boss O-Ring.....	1
	000119	Kit, seal.....	1		603992	Flare O-Ring.....	1
3	603827	Clamp, hose (5/8).....	5	21	603988	Elbow, 90°	1
4	603721	Fitting, Hose Tee (3/8 I.D hose)	1	22	602985	Hose, supply	1
5	513510	Connector, male	1	23	602754	Hose, charge line	1
6*	603720	Head, filter	1	24	323218	Spacer, hydraulic tank.....	2
7	513211	Element, oil filter	1	25	809001	Nut, whizlock 5/16-18.....	2
∇	523541	Element, oil filter(winter).....	1	26	800258	Screw, 1/4-20 x 2	2
8	513167	Cap, hydraulic reservoir.....	1	27	800293	Screw, 3/8-16 x 1-1/4.....	4
9	523103	Gasket, tank cap	1	28	800273	Screw, 5/16-18 x 1	2
10	603987	Elbow, 90°	1	29	809012	Nut, whizlock 1/4-20.....	2
11*	512166	Reservoir, hydraulic fluid	1	30	809007	Nut, whizlock 3/8-16.....	4
12	603826	Hose Clamp 1/2.....	3	31	613073	Grip, dump valve	2
13	603722	Fitting - Hose Tee(1/4 I.D hose)	1	32	805258	Washer, 5/16 std.....	8
14	513840	Elbow - 90°	2	33	602750	Hose, case drain	1
	603921	O-Ring	1	34	632286	Hose assy, lo pressure.....	1
15	804255	Nut, nylock 1/4-20.....	2	35	413273	Hose, lo pressure	2
16	801063	Screw, 1/4-20 x 2 pan head....	2	36	632285	Hose assy, lo pressure.....	1
17	613042	Pump, hydro	2	37	323241	Hose, high pressure	1

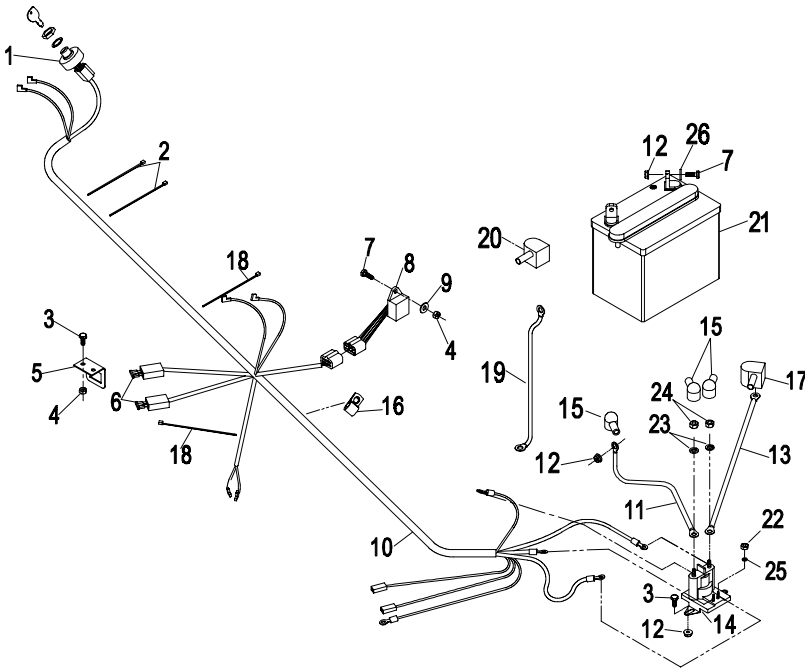
* Use Teflon Pipe Sealant or equivalent on hydraulic reservoir and filter head fittings.

∇ Use only for operation below 32°F(0°C)

Exmark black touch up spray paint - gloss black

ELECTRICAL GROUP

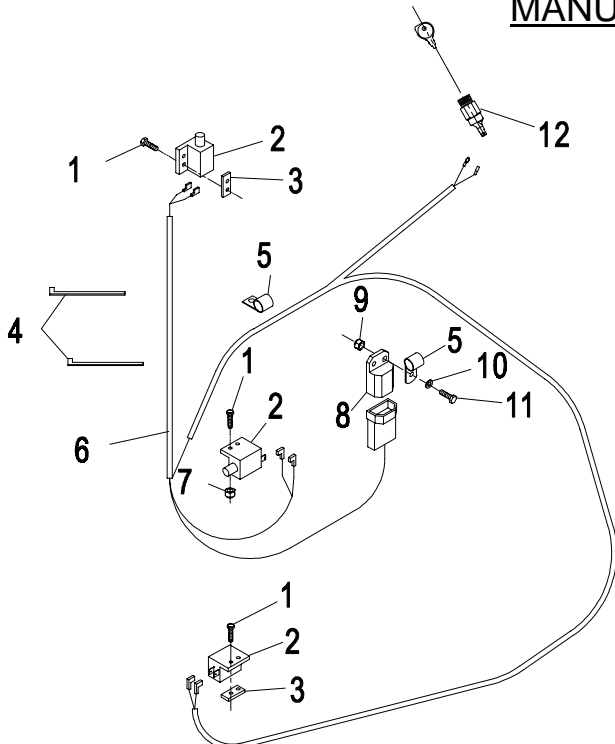
ELECTRIC START



Ref. No.	Part No.	Description	Qty. Req'd.
1	543070	Switch, ignition.....	1
	603511	Keys, ignition	1
2	303335	Tie, plastic	2
3	800251	Screw, ¼-20 x 5/8	4
4	804255	Nut, ¼-20 nylock.....	3
5	323442	Bracket, fuse	1
6	816001	Fuse, 20A	2
7	800252	Screw, ¼-2 x 3/4	3
8	613198	Module.....	1
9	805257	Washer, 5/16 sae flat	1
10●	413538	Harness, wiring.....	1
11	633306	Cable, Solenoid/Starter +	1
12	809012	Nut, ¼-20 whizlock	6
13	603490	Cable, battery +	1
14	513075	Switch, 12V solenoid	1
15	543393	Insulator, solenoid +	3
16	603727	Clip, loom	1
17	543391	Insulator, battery +	1
18	303287	Tie, plastic	2
19	413540	Battery cable.....	1
20	543390	Insulator, battery -.....	1
21	603479	Battery, 12V MNFLD	1
22	3219-14	Nut, hex #10-32 GR2,YZ.....	2
23	3253-4	Washer-lok .313	2
24	804758	Nut, jam 5/16 - 24.....	2
25	3253-17	Washer,lok .190	2
26	805256	Washer,1/4 flat.....	2

● Use dielectric grease on all electrical connectors.

MANUAL START



Ref. No.	Part No.	Description	Qty. Req'd.
1	803028	Screw, #10-24 x 5/8	6
2	513051	Switch.....	3
3	633181	Plate, tapped	2
4	303287	Tie, plastic	3
5	323229	Clip, loom	2
6●	413208	Harness, wiring (Koh).....	1
	413453	Harness, wiring (17&15 Kaw)	1
7	804002	Nut, square #10-24.....	2
8	323430	Module, interlock	1
9	804255	Nut, nulock ¼-20	1
10	805256	Washer, ¼ std flat	1
11	800252	Screw, ¼-20 x 3/4	1
12	403121	Switch, on/off (17&15 Kaw)	1
	603511	Keys, ignition	1

● Use dielectric grease on all electrical connectors.

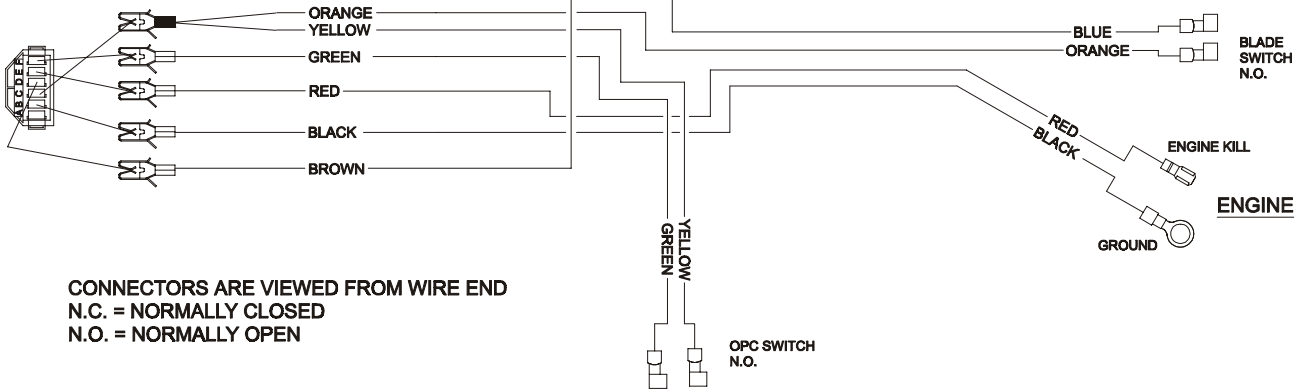
DECALS

Ref. No.	Part No.	Description	Qty. Req'd.	Ref. No.	Part No.	Description	Qty. Req'd.
1	413440	Decal, console(Koh)	1	16	303102	Decal, neutral lock	2
2	553049	Decal, mower deck	1	17	523552	Decal, hyd tank	1
3	413206	Decal, belt routing (36")	1	18	323689	Decal, throttle (Koh)	1
4	413446	Decal, console (17&15 Kaw)	1	19	413342	Decal, swash	1
5	413536	Decal, console (electric start)	1	20	323691	Decal, throttle (17&15 Kaw)	1
6	413214	Decal, tracking	1	21	323540	Decal, roller mounting	1
7	643289	Decal, patent	1	22	303508	Decal, discharge warning	1
8	413421	Decal, indicator	1	23	303520	Decal, trivantage	1
9	603845	Decal, hyd drive release	1	24	513747	Decal, battery (electric start)	1
10	513746	Decal, muffler	2	25	303517	Decal, belt drive	1
11	373066	Decal, patent pending	1	26	323411	Decal, commercial 36	1
12	303293	Decal, 2 min cool	1	27	403131	Decal, commercial 48	1
13	613049	Decal, console	1	28	403132	Decal, commercial 52	1
14	413327	Decal, belt routing (48"&52")	1	29	403143	Decal, sulky warning	1
15	403005	Decal, danger (36")	1		414422	Decal kit	1
	403005	Decal, danger (48"&52")	2				

WIRING DIAGRAMS

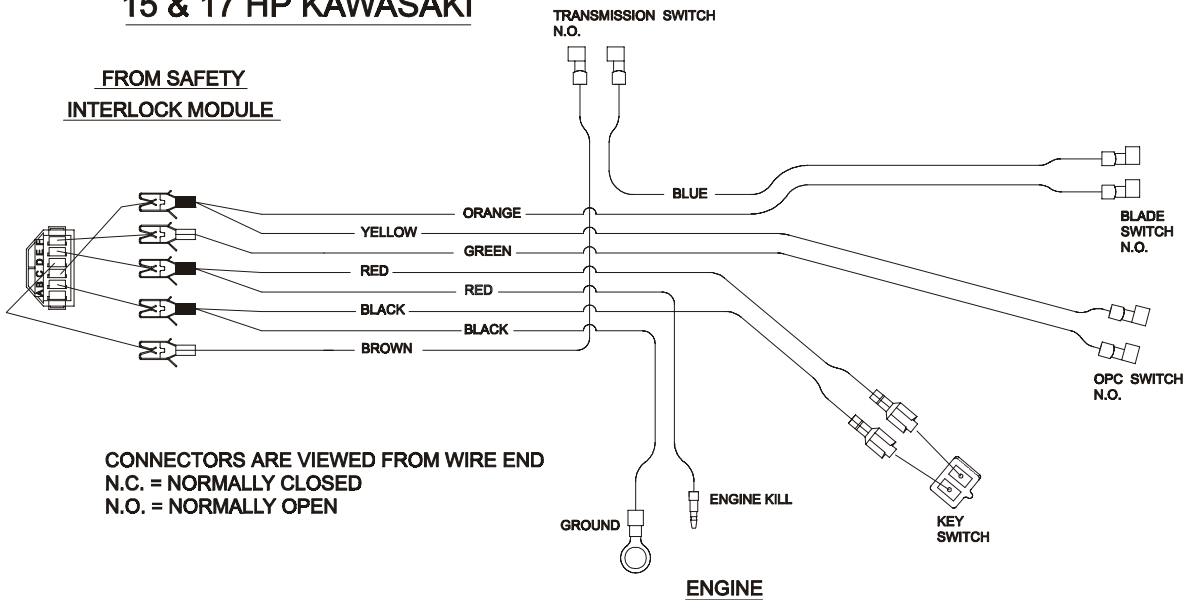
KOHLER

FROM SAFETY INTERLOCK MODULE



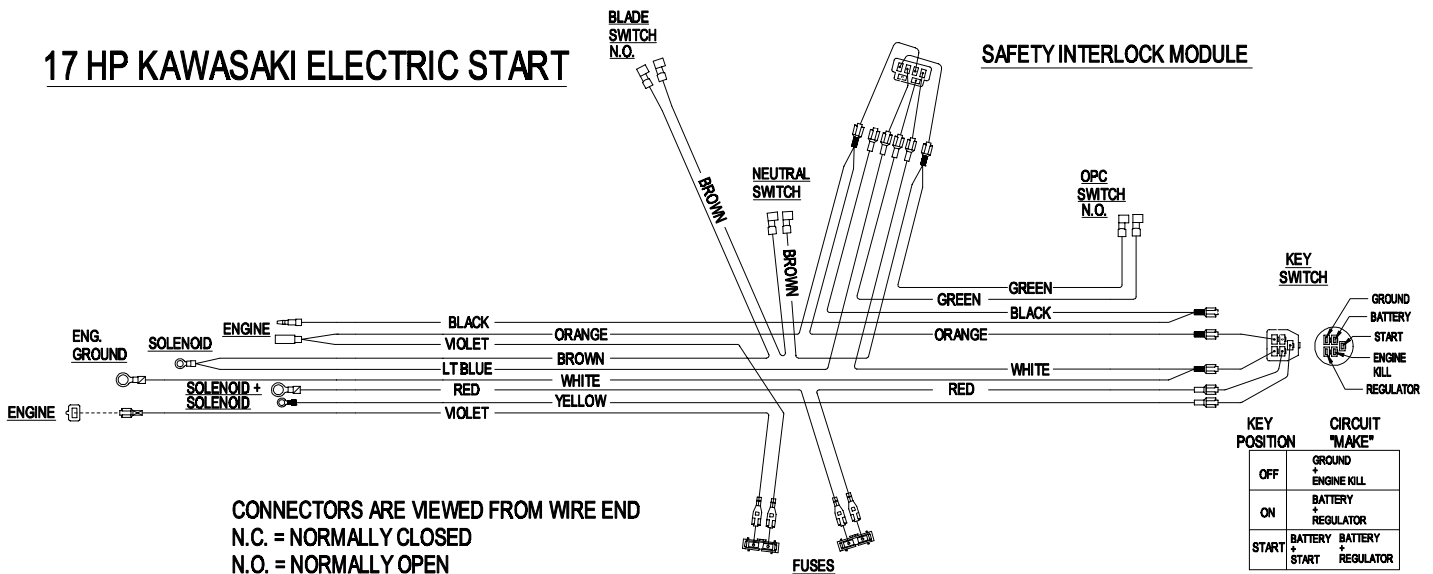
15 & 17 HP KAWASAKI

FROM SAFETY INTERLOCK MODULE



17 HP KAWASAKI ELECTRIC START

SAFETY INTERLOCK MODULE



**SEE EXMARK'S COMPLETE
LINE OF PRODUCTS FOR TURF CARE**

LAZER Z™

LAZER Z™ HP

TURF RANGER®

TURF TRACER®

TURF TRACER® HP

VIKING HYDRO

METRO™

METRO™ HP

SELF STEERING SULKY

ULTRA VAC™

GRASS CATCHER

MICRO-MULCH™ ACCESSORY

©1997,1998, 1999
EXMARK MFG. CO. INC.
INDUSTRIAL PARK BOX 808
BEATRICE, NE 68310
ALL RIGHTS RESERVED

PART NO. 850661 Rev B
(402) 223-6300
FAX (402) 223-5489
PRINTED IN U.S.A.

