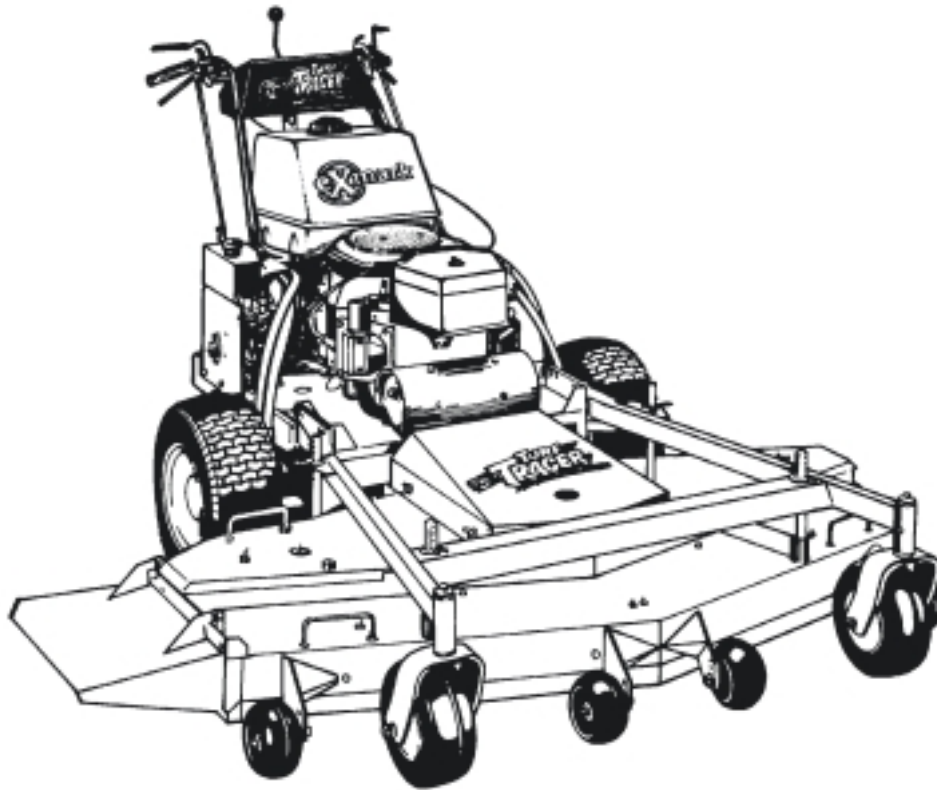


For Serial Nos.
190,000 & Higher



PARTS MANUAL

TURF TRACER®

CONGRATULATIONS on the purchase of your new Exmark mower. This product has been carefully designed and manufactured to give you a maximum amount of dependability and years of trouble-free operation.

If additional information is needed, or should you require trained mechanic service, contact your authorized Exmark equipment dealer or distributor.

If you need to order replacement parts from your dealer, always give the model number and serial number of your mower as well as the part number, description and quantity of the part needed.

The Serial No. plate of the tractor is located on top of the engine frame on the right hand side of the machine. The Serial no. plate for the mower deck is located on the front support pin gusset on the right hand side of the deck.

For ease of ordering and reference, we suggest that you record the information requested in the following identification table.

Tractor Model No. _____

Tractor Serial No. _____

Deck Model No. _____

Deck Serial No. _____

Engine Model No. _____

Engine Serial No. _____

Date Purchased _____

Paste Label From
Literature Packet Here

Two empty rectangular boxes for pasting labels.

EXMARK PARTS PLUS® PROGRAM

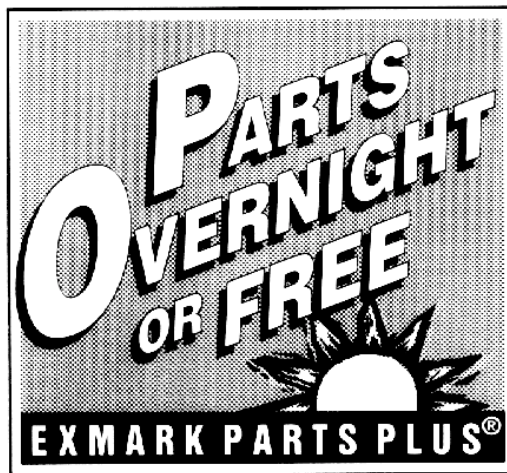
EFFECTIVE DATE: September 1, 1995

Program

If your Exmark dealer does not have the Exmark part in stock, Exmark will get the parts to the dealer the next business day or the part will be FREE* Guaranteed!!

How the Program Works

1. If dealer does not have part in stock for a "down" unit at the time of request by customer, the dealer contacts his distributor by 1:00 p.m., local time, and requests Exmark Parts Plus® shipment of six (6) line items or less.
2. Distributor ships part(s) to dealer or customer, as requested by dealer, same day, overnight UPS. Distributor bills dealer for part and freight charges where applicable.
3. If distributor does not have the part(s) in stock to satisfy Exmark Parts Plus® order, he contacts Exmark by 3:00 p.m., central time, with an Exmark Parts Plus® order of six (6) line items or less.
4. If order is received by 3:00 p.m. central time, Exmark ships part(s) direct to dealer or customer, as requested by distributor, same day, overnight UPS. Exmark bills the distributor for parts and shipping charges, where applicable.
5. The customer pays for the part and freight if it is shipped under the Exmark Parts Plus® and if it arrives in accordance to the program.
6. Who pays for the part and freight if it fails to arrive overnight in accordance to the program?
 - A. Under any circumstance the customer does not pay.
 - B. If the part does not arrive overnight due to:
 1. The dealer not submitting the Exmark Parts Plus® order to his Exmark distributor by 1:00 p.m., the dealer pays for the part and freight.
 2. The Distributor being unable to ship the part the same day or not submitting the Exmark Parts Plus® order to Exmark by 3:00 p.m., central time, the Distributor pays for the part and freight.
 3. Exmark being unable to ship the part and the Exmark parts order is received by 3:00 p.m., central time, Exmark pays for the part and freight.
 4. If the part does not arrive overnight due to the shipper (UPS), the shipper pays for the freight and Exmark pays for the part.



The following restrictions apply -- The Exmark Parts Plus® Program is available only through participating Exmark Dealers and applies only to orders submitted on this program Monday through Thursday. UPS has initiated a Saturday delivery program to many areas of the continental United States and can be requested for an overnight shipment on Friday to be delivered Saturday. The next day air charge, plus the Saturday delivery fee will be the responsibility of the purchaser. Exmark Mfg. will assume no responsibility for Saturday delivery shipments. To qualify, all Exmark Parts Plus® orders must be received by Exmark by 3:00 p.m., central time. Orders must be six (6) line items or less. Exclusions from the Exmark Parts Plus® Program are: Any wholegood or accessory in its entirety, engines and engine replacement parts, 5-speed Peerless transmissions and 5-speed transaxles, hydraulic or hydrostatic wheel motors, cutter decks and engine decks or any item exceeding United Parcel Service size and weight restrictions.

Due to UPS restrictions, aerosol spray paint is considered a hazardous material and cannot be shipped via UPS next day or Second Day Air.

Exmark Manufacturing stocks a limited supply of parts for transaxles, pumps and wheel motors. These parts can be ordered for Next Day Air shipment but will not be guaranteed per the Parts Plus Program.

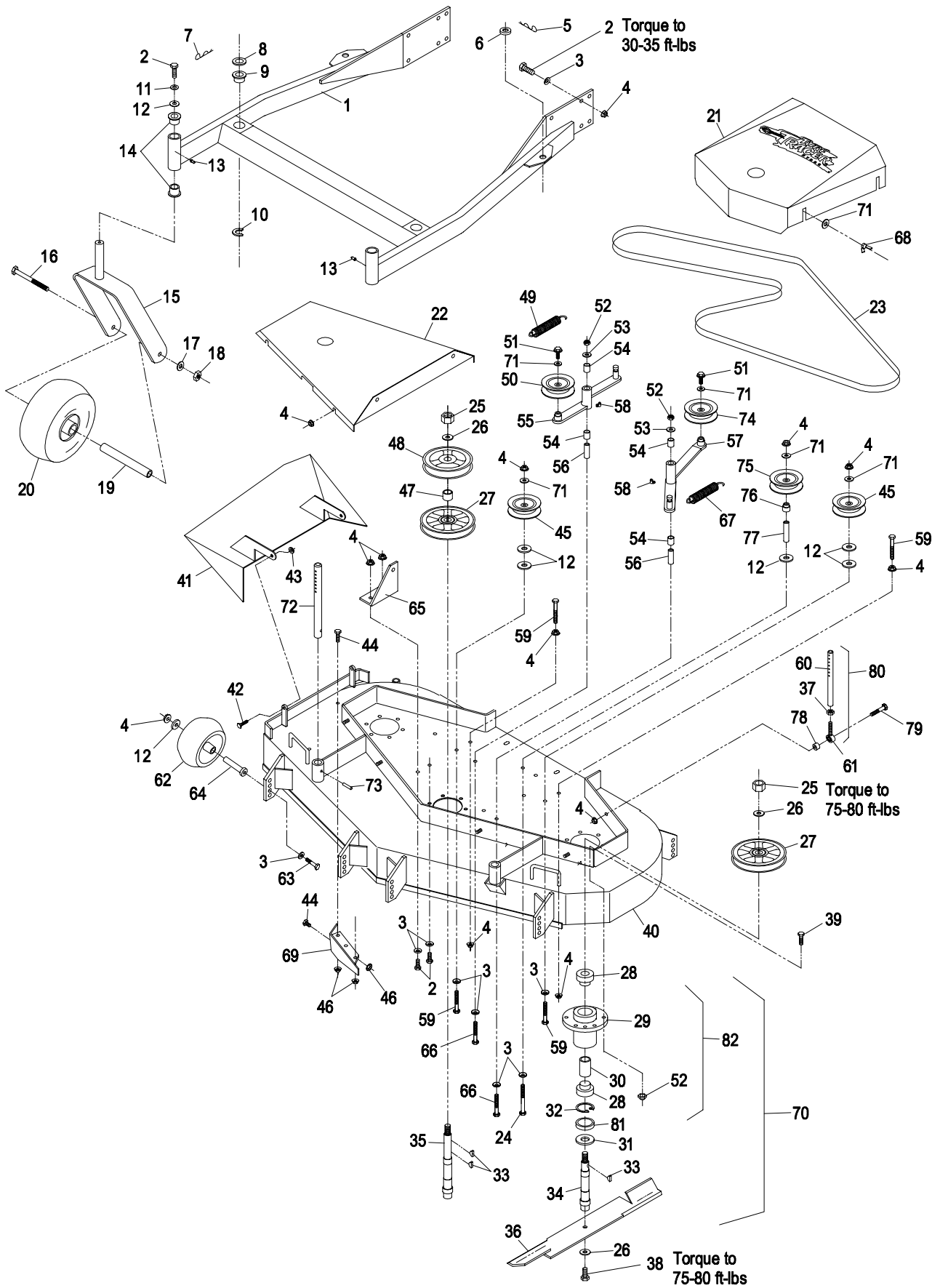


**READ OPERATOR'S MANUAL BEFORE
OPERATING OR SERVICING EXMARK EQUIPMENT.**

TABLE OF CONTENTS

<u>Description</u>	<u>Page</u>
Decals.....	9
Electrical Diagrams	13
Electrical Group	12
Engine Deck Group.....	6 - 7
52" Mower Deck.....	2 - 3
Fuel Group.....	10
Handles & Controls	8
Hydraulics Group	11
60" Mower Deck	4 - 5

52" MOWER DECK



52" MOWER DECK

Ref. No.	Part No.	Description	Qty. Req'd.	Ref. No.	Part No.	Description	Qty. Req'd.
1	604960	Support, deck 612092 w/ bushings & decals	1	41	602571	Chute, discharge.....	1
2	800292	Capscrew, 3/8-16 x 1	12	42	800273	Capscrew, 5/16-18 x 1	2
3↕	303327	Washer, disc spring 3/8	21	43	804256	Nut, nylock 5/16-18	2
4↕	809007	Nut, whizlock 3/8-16	33	44	800270	Capscrew, 5/16-18 x 5/8	3
5	806006	Hairpin, 5/8	2	45	303516	Pulley, V-Idler	2
6	303164	Spacer, blade driver	2	46	809001	Nut, whizlock 5/16-18	3
7	806007	Hairpin, 7/8	2	47	603504	Spacer, tube	1
8	413425	Washer	2	48	603581	Sheave, mower drive.....	1
9	513336	Bushing, deck support.....	2	49	603413	Spring, extension.....	1
10	808507	Ring, retaining (external).....	2	50	603497	Pulley, idler	1
11	805006	Washer, lock 3/8 hvy spring....	2	51	803016	Screw, whizlock 3/8-16 x 1.....	2
12↕	373034	Washer, pivot	13	52	804257	Nut, nylock 3/8-16	20
13	811001	Zerk, 1/8 NPT (straight)	2	53	805260	Washer, 3/8.....	2
14	303514	Bearing, flange thrust	4	54	513034	Bearing, pivot	4
15	522143	Fork, caster	2	55	602604	Idler arm assy w/bearings	1
16	800334	Capscrew, 1/2-13 x 6	2	602591	Arm, deck idler	1	
17	805008	Washer, lock 1/2	2	56	603384	Bushing, idler pivot	2
18	804509	Nut, 1/2-13	2	57	602865	Idler arm, w/bearings deck drive	1
19	513547	Spacer, front caster.....	2	602867	Arm, deck drive idler	1	
20	513648	Tire/wheel assy, 9 x 3.50-4	2	58	811008	Zerk, 1/4-28 (90°).....	2
	513807	Wheel	2	59	800297	Capscrew, 3/8-16 x 2-1/4	4
	513808	Tire 9 x 3.50-4	2	60	613203	Link, rear deck support.....	2
	513809	Bearing	2	61	613204	Balljoint.....	2
	513810	Bushing	4	62	603299	Roller, anti scalp.....	6
21	614041	Cover w/decals.....	1	63	800807	Capscrew, 3/8-16 x 4 Gr8	6
22	602545	Cover, deck	2	64	603602	Bushing, roller	6
23	603576	Belt, blade drive.....	1	65	603620	Bracket, spring anchor	1
24↕	800302	Capscrew, 3/8-16 x 4	1	66	800805	Capscrew, 3/8-16 x 3 1/2	2
25	804510	Nut, 5/8-18 UNF	3	67	603414	Spring, extension.....	1
26	513208	Spring, disk	6	68	543678	Wingnut, nylock.....	4
27	553039	Sheave, blade drive.....	3	69	602913	Baffle	1
28	513016	Bearing, ball	6	70▲	554033	Housing, cutter complete (center)	1
29	323532	Housing, bearing	3	554019	Housing, cutter complete (outer)	2	
30	323528	Spacer, bearing.....	3	71↕	805259	Washer, 3/8 SAE Flat.....	5
31	633573	Guard, dust	3	72	603001	Rod, deck support.....	2
32	808502	Snap ring	3	73	806332	Roll pin, 1/4 x 1-1/2	2
33	807006	Key, woodruff #61	4	74	613098	Idler	1
34	633574	Spindle, outer blade	2	75↕	603805	Idler	1
35	553038	Spindle, center blade.....	1	76↕	513791	Bushing	1
36	633482	Blade, notched air foil.....	3	77↕	603494	Spacer.....	1
	613251	Blade, solid air foil	3	78	603050	Spacer.....	2
	633485	Blade, low lift	3	79	800295	Capscrew, 3/8-16 x 1 3/4	2
•	633484	Blade, mulching.....	3	80	614213	Link Assy	2
37	804525	Nut, hex 3/8-24.....	2	81	323533	Spacer, Shv/Brg	3
38	800340	Capscrew, 5/8-11 x 1 (RH).....	3	82	634619	Housingw/Brg,Spacer &Ring...	3
39	800293	Capscrew, 3/8-16 x 1 1/4	18				
40◆	612155	Deck, 612153 with support rods & baffle.....	1				

↕ These parts are available in an Idler Pulley Kit (Part No. 601806). Each kit contains one item each of the referenced item number.

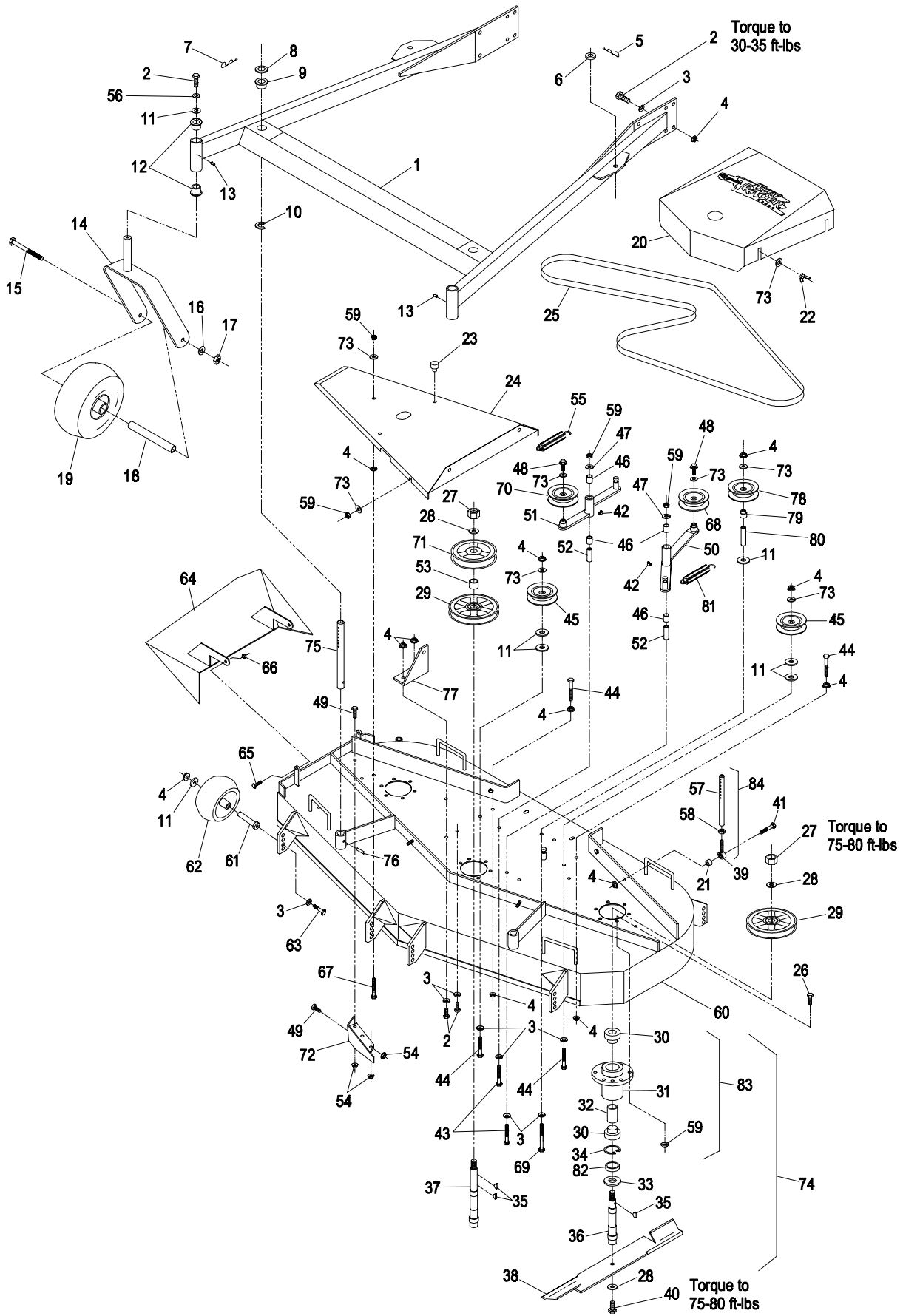
• Requires installation of Micro-Mulch accessory for proper mulching. Mulch kit P/N MK523.

◆ Deck weldmt does include welded in flow control baffles.

▲ **Outer** cutter housing complete includes sheave, washer and nut. **Center** cutter housing complete includes sheaves, washer, spacer and nut.

Exmark red touch up spray paint - P/N 850337

60" MOWER DECK



60" MOWER DECK

Ref. No.	Part No.	Description	Qty. Req'd.	Ref. No.	Part No.	Description	Qty. Req'd.
1	604847	Support, deck 612094 w/ bushings & decals	1	42	811008	Zerk, 1/4-28 (90°)	2
2	800292	Capscrew, 3/8-16 x 1	12	43	800805	Capscrew, 3/8-16 x 3.5	2
3◇	303327	Washer, disc spring 3/8	21	44	800297	Capscrew, 3/8-16 x 2-1/4	4
4◇	809007	Nut, whizlock 3/8-16	27	45	303516	Pulley, V-idler	2
5	806006	Hairpin, 5/8	2	46	513034	Bearing, pivot	4
6	303164	Spacer, blade driver	2	47	805260	Washer, 3/8 stdn flat	2
7	806007	Hairpin, 7/8	2	48	803016	Bolt, whizlock 3/8-16 x 1	2
8	413425	Washer	2	49	800270	Capscrew, 5/16-18 x 5/8	3
9	513336	Bushing, deck support	2	50	602867	Arm, deck drive idler	1
10	808507	Ring, retaining (external)	2		602865	Idler arm assy, deck drive (with bearings)	1
11◇	373034	Washer, pivot	13	51	602591	Arm, deck idler	1
12	303514	Bearing, flange thrust	4		602604	Idler arm, w/bearings	1
13	811001	Zerk, 1/8 NPT (straight)	2	52	603384	Bushing, idler pivot	2
14	522143	Fork, caster	2	53	603504	Spacer, tube	1
15	800334	Capscrew, 1/2-13 x 6	2	54	809001	Nut, whizlock 5/16-18	3
16	805008	Washer, lock 1/2	2	55	603413	Spring, extension	1
17	804509	Nut, 1/2-13	2	56	805006	Washer, lock 3/8 (hvy spring) .	2
18	513547	Spacer, front caster	2	57	613203	Link, rear deck support	2
19	513648	Tire/whl assy, 9 x 3.50-4	2	58	804525	Nut, hex 3/8-24	2
	513807	Wheel	2	59	804257	Nut, nylock 3/8-16	26
	513808	Tire 9 x 3.50-4	2	60◆	612149	Deck, 612120 with support rods & baffle	1
	513809	Bearing	2	61	603602	Bushing, roller	6
	513810	Bushing	4	62	603299	Roller, anti scalp	6
20	614110	Cover w/decals	1	63	800807	Capscrew, 3/8-16 x 4 (Gr 8)....	6
21	603050	Spacer	2	64	542606	Chute, discharge	1
22	543678	Wingnut, nylon insert	10	65	800273	Capscrew, 5/16-18 x 1	2
23	513291	Bumper, seat	2	66	804256	Nut, nylock 5/16-18	2
24	542588	Cover, deck	2	67	800031	Tapbolt, 3/8-16 x 2 3/4	2
25	603045	Belt, blade drive	1	68	613098	Pulley, flat idler	1
26	800293	Capscrew, 3/8-16 x 1 1/4	18	69◇	800302	Capscrew, 3/8-16 x 4 (Gr 5)....	1
27	804510	Nut, 5/8-18 UNF	3	70	603497	Pulley, idler	1
28	513208	Washer, disc spring	6	71	613024	Sheave, mower drive	1
29	553039	Sheave, blade drive	3	72	602913	Baffle	1
30	513016	Bearing, ball	6	73◇	805259	Washer, 3/8 SAE	13
31	323532	Bearing, housing	3	74▲	554019	Cutter hsg, outer complete	2
32	323528	Spacer, bearing	3		554018	Cutter hsg, center complete	1
33	633573	Guard	3	75	603001	Rod, deck support	2
34	808502	Snap ring	3	76	806332	Rollpin	2
35	807006	Key, woodruff 5/8 x 3/16	4	77	603620	Bracket, spring anchor	1
36	633574	Spindle, outer blade	2	78◇	603805	Idler	1
37	553038	Spindle, center blade	1	79◇	513791	Bushing	1
38	633483	Blade, notched air foil	3	80◇	603494	Spacer	1
	603283	Blade, solid air foil	3	81	603414	Spring, extension	1
	613111	Blade, low lift	3	82	323533	Spacer w/bearing	3
•	613112	Blade, mulching	3	83	634619	Housing w/brg, spacer, & ring .	3
39	613204	Balljoint	2	84	614213	Link assy	2
40	800340	Capscrew, 5/8-11 x 1 (RH)	3				
41	800295	Capscrew, 3/8-16 x 1 3/4	2				

◇ These parts are available in an Idler Pulley Kit (Part No. 601806). Each kit contains one item each of the referenced item number.

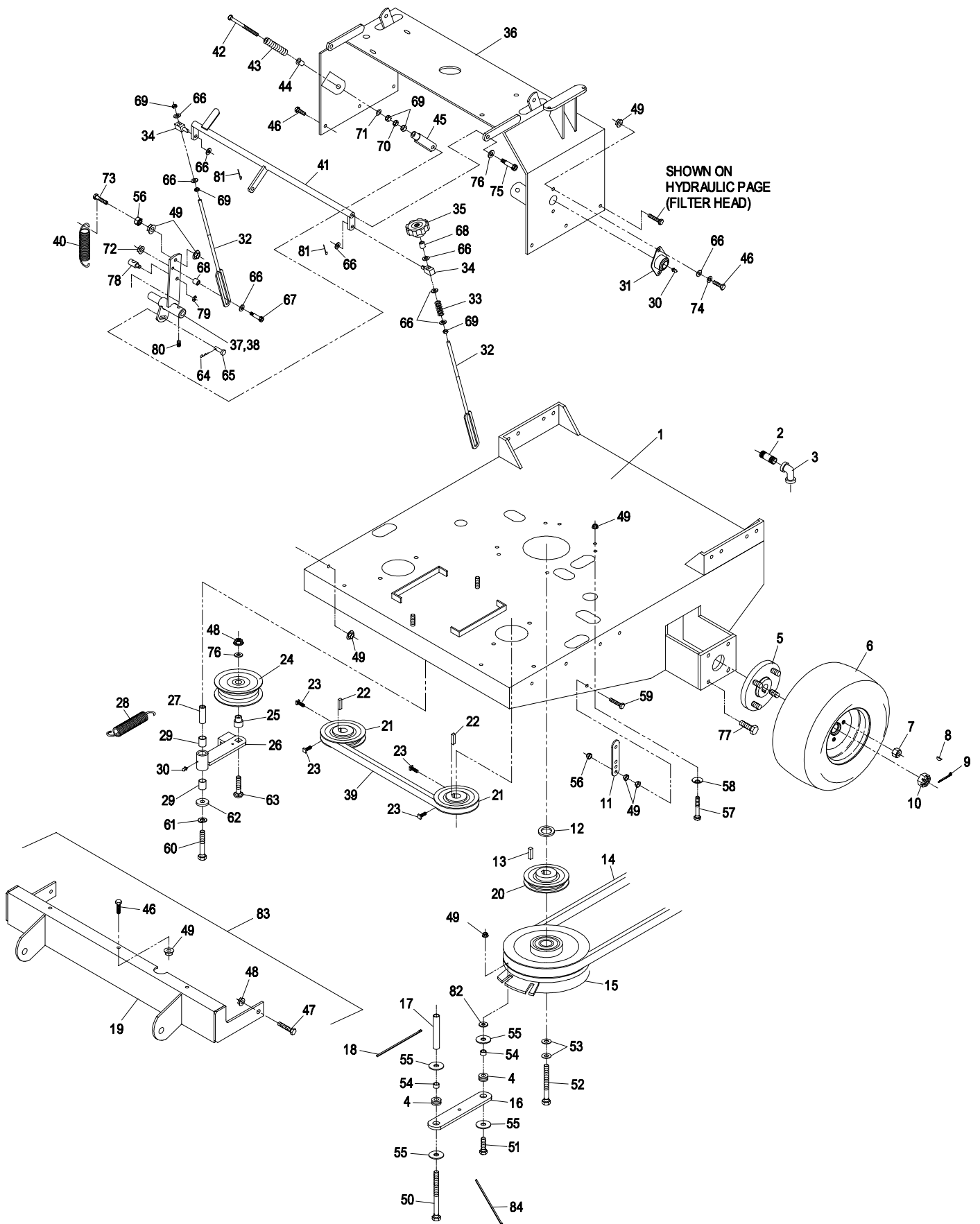
• Requires installation of Micro-Mulch accessory for proper mulching. Mulch kit P/N MK603.

◆ Deck weldmt does include welded in flow control baffles.

▲ **Outer** cutter housing complete includes sheave, washer and nut. **Center** cutter housing complete includes sheaves, washer, spacer and nut.

Exmark red touch up spray paint - P/N 850337

ENGINE DECK GROUP



ENGINE DECK GROUP

Ref. No.	Part No.	Description	Qty. Req'd.	Ref. No.	Part No.	Description	Qty. Req'd.
1	612276	Engine Deck Weldment.....	1	40	603693	Spring, extension.....	2
2*	543064	Pipe nipple (Koh Only).....	1	41	612173	Crank weldmt	1
3*	303428	Elbow, 90 (Koh Only).....	1	42	603737	Bolt, neutral return.....	2
4	633630	Grommet	2	43	603807	Spring, neutral return.....	2
5◇	602997	Hub, 4 bolt	2	44	603735	Bushing, flanged.....	2
	613150	Stud	8	45	303105	Yoke, adjustable.....	2
6	613263	Tire and wheel assy.....	2	46	800271	Screw, 5/16-18 x 3/4	12
	613264	Tire only	2	47	800292	Screw, 3/8-16 x 1	2
	603715	Rim only.....	2	48	809007	Nut, 3/8-16 whizlock	3
7	513011	Nut, wheel.....	8	49	809001	Nut, 5/16-18 whizlock	24
8	807019	Key, woodruff 1" x 1/4"	2	50	800385	Screw, 5/16-18 x 4 1/2	1
9	806800	Pin, cotter 9/64 X 1 1/2	2	51	800274	Screw, 5/16-18 x 1 1/4	1
10	803040	Nut, 3/4-16-2B slotted hex.....	2	52∇	800819	Screw, 7/16-20 x 2 1/2 (Koh) ..	1
11	613089	Anchor, spring	2		800820	Screw, 7/16-20 x 3 (Kaw)	1
12◆	543214	Spacer, crankshaft ("B" Belt only)	1	53	603610	Washer, spring disc.	2
13	807259	Key, 1/4 x 1/4 x 1	1	54	633545	Spacer, clutch anchor	2
14	603306	Belt,deck drive(60")	1	55	613235	Washer.....	4
	603306	Belt,deck drive(52")	1	56	804256	Nut, nylock 5/16-18	4
15	611223	Clutch w/strap assembled	1	57	800275	Screw, 5/16-18 x 1 1/2	4
	631731	Clutch w/plastic tie	1	58	303334	Washer, 5/16 disc spring	4
16	633543	Strap, clutch.....	1	59	800016	Bolt, tap 5/16-18 x 1 1/4	2
17	323195	Standoff, clutch.....	1	60∇	800298	Screw, 3/8-16 x 2 1/2	1
18	303287	Plastic tie, small.....	1	61	805006	Washer, lock 3/8 heavy.....	1
19	602438	Hitch weldmt.....	1	62	373034	Washer, pivot	1
20◆	653035	Sheave, 4 1/4 O.D ("A" Belt)..	1	63	807517	Screw, 3/8-16 x 1 3/4	1
	603589	Sheave, 4 1/4 O.D ("B" Belt)...	1	64	806003	Hairpin, cotter	2
21◆	413010	Sheave, Pump ("A" Belt).....	2	65	808280	Clevis pin.....	2
	603778	Sheave, Pump ("B" Belt).....	2	66	805257	Washer, 5/16.....	13
22	807272	Key, 5mm sq x 25mm.....	2	67∇	809057	Screw, 5/16 x 3/4sckt hd shldr	2
23∇	803050	Setscrew, 5/16-18 x 3/4.....	4	68	603903	Spacer	3
24	603843	Pulley, idler	1	69	804521	Nut 5/16-24 regular	7
25	603496	Bushing, idler	1	70	804758	Nut, 5/16-24 jam.....	2
26	602521	Idler arm w/bushings	1	71	805256	Washer, 1/4.....	2
	602458	Idler arm weldmt	1	72	809012	Nut, whizlock 1/4-20	2
27	603044	Bushing, idler pivot	1	73	800274	Screw, 5/16-18 x 1-1/4	2
28	603402	Spring, extension.....	1	74	805005	Washer, lock 5/16 heavy.....	4
29	513034	Bearing, pivot.....	2	75∇	809056	Screw,3/8 x 3/8 sckt hd shld ...	2
30	811006	Zerk, grease 1/4-20	3	76	805259	Washer, 3/8 SAE flat.....	3
31	633102	Bearing, flanged	2	77	803045	Screw, whizlock 3/8-16 x3/4....	8
32	613206	Rod, control arm	2	78	413227	Swivel, drive lever	2
33	323245	Spring	1	79	808520	Klipring	2
34	603676	Swivel	2	80∇	803022	Setscrew, 5/16-18 x 5/8	2
35	413151	Knob, tracking.....	1	81	806753	Cotter pin.....	2
36	612165	Support, tank/handle	1	82	805258	Washer, 5/16.....	1
37	612160	Arm, control LH.....	1	83	601000	Hitch Kit, sulky.....	1
38	612162	Arm, control RH (not shown) ..	1	84	303335	Plastic tie (large).....	1
39◆	613271	Belt, hydro trans drive ("A" Belt)	1				
	603809	Belt, hydro trans drive ("B" Belt)	1				

* Use Teflon Pipe Sealant or equivalent on threads.

∇ Use (Part No. 840022) Pro-lock, nut type (.5 ml tube) on threads.

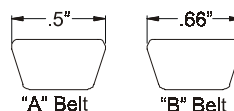
◇ Use anti-seize on hub bore

• Install sheave with long end of hub up

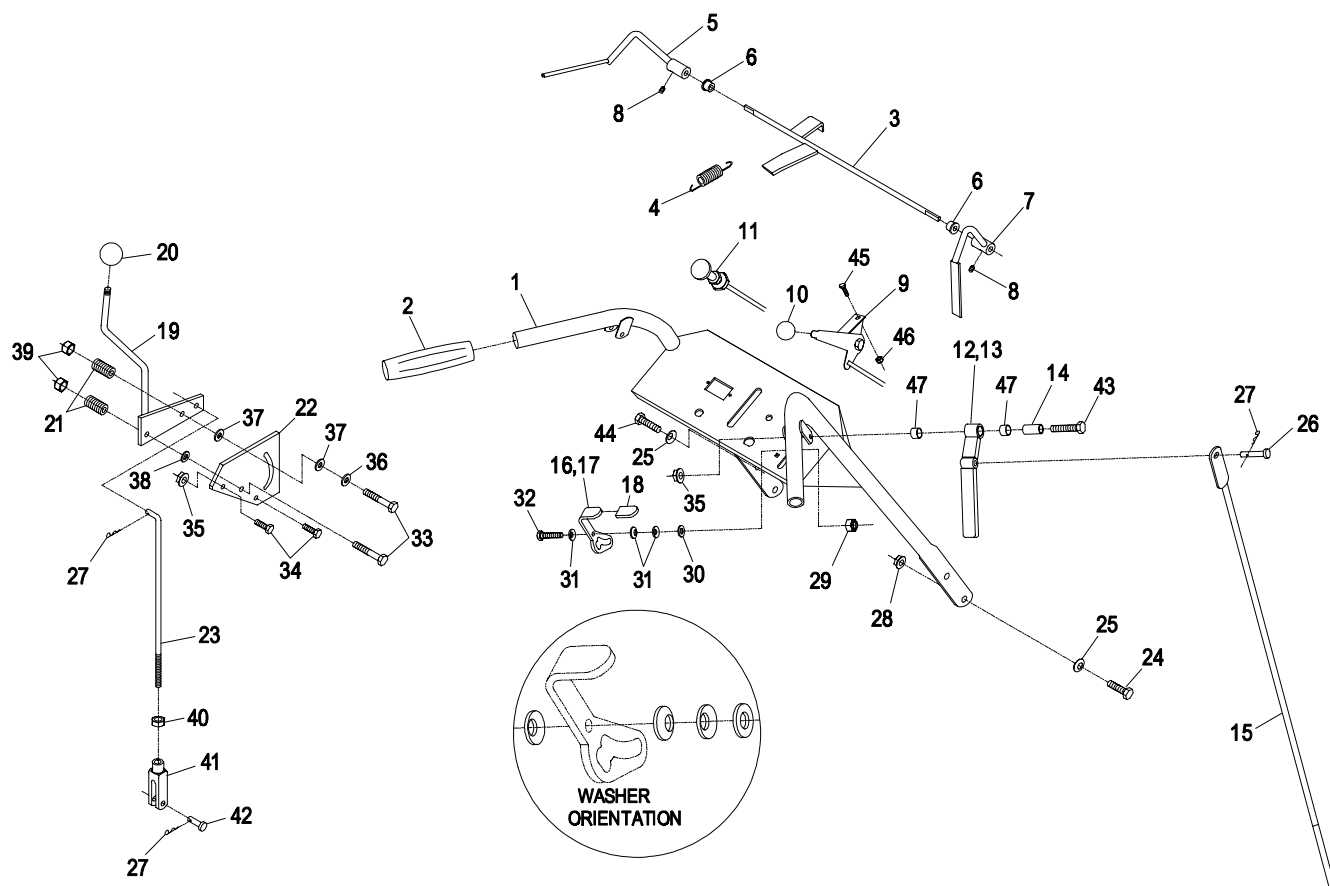
◆ Measure width of hydro trans drive belt as shown to determine which component is required.

Exmark red touch up spray paint - P/N 850337

Exmark black touch up spray paint - Gloss black



HANDLE AND CONTROLS



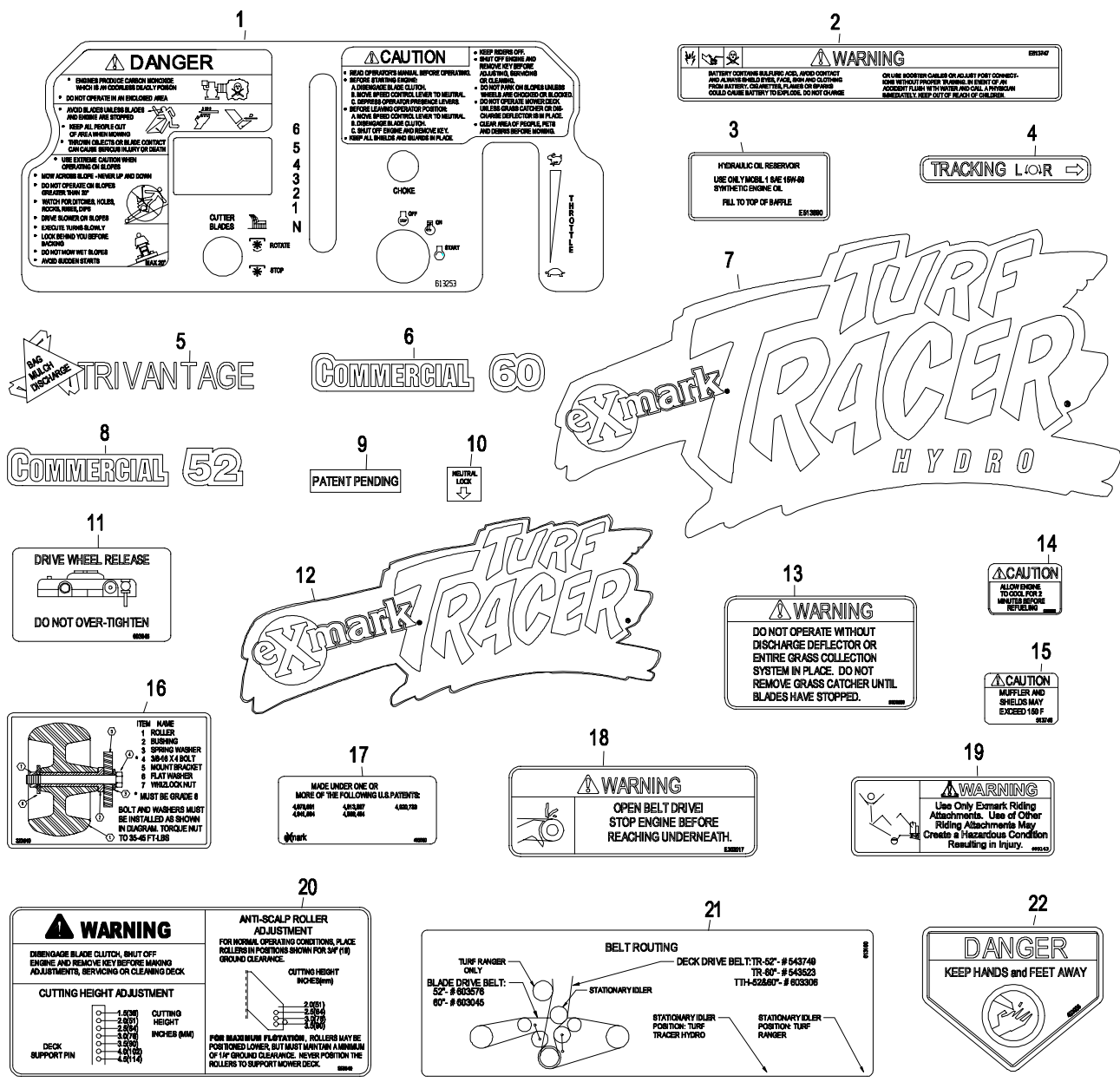
Ref. No.	Part No.	Description	Qty. Req'd.	Ref. No.	Part No.	Description	Qty. Req'd.
1	612182	Handle wldmnt, hydro	1	24	800292	Screw, 3/8-16 x 1	3
2	303097	Grip, handle	2	25	303327	Washer, spring disk	4
3	612187	Rod wldmnt, OPC	1	26	613055	Pin, clevis	2
4	303363	Spring	1	27	806003	Hairpin cotter	4
5∇	412183	Lever wldmt, OPC Lh.....	1	28	809007	Nut, whizlock 3/8-16	4
6	303365	Bushing, nylon	2	29	804255	Nut, nylock 1/4-20	2
7∇	412185	Lever weldmt, OPC Rh.....	1	30	805256	Washer, 1/4 std flat	2
8◇	803322	Setscrew	2	31	303435	Washer, 1/4 disc spring.....	6
9	633696	Throttle control (19hp Kaw) ...	1	32	800257	Screw, 1/4-20 x 1-3/4	2
	613247	Throttle control (Koh).....	1	33	800277	Screw, 5/16-18 x 2	2
10	513592	Knob, red ball.....	1	34	800251	Screw, 1/4-20 x 5/8	2
11	603336	Choke control push/pull	1	35	809012	Nut, whizlock 1/4-20	4
12	412161	Drive lever RH (shown).....	1	36	603716	Washer, friction	1
13	412159	Drive lever LH (not shown)	1	37	323244	Washer, friction	2
14	603749	Bushing, drive lever	2	38	805257	Washer, 5/16 flat	1
15	613189	Rod, drive lever.....	2	39	804256	Nut, nylock 5/16-18	2
16	612168	Latch,thumb RH (shown)w/grip	1	40	804758	Nut, jam 5/16.....	1
17	612167	Latch, thumb LH w/grip.....	1	41	303105	Yoke, adjustable.....	1
18	303019	Grip, vinyl latch	2	42	808280	Pin, clevis	1
19	602733	Lever, shifter	1	43	800256	Screw, 1/4-20 x 1-1/2	2
20◇	603175	Knob, 1-3/8	1	44	800293	Screw, 3/8-16 x 1-1/4	1
21	323245	Spring, compression.....	2	45	807513	Screw, 10-24 x 1/2	2
22	603730	Plate, shifter lever.....	1	46	804252	Nut, nylock 10-24	2
23	603700	Rod, speed control.....	1	47	413152	Bearing	4

◇ Use Pro-Lock Nut Type (P/N 840022 .5 ml. Tube) on setscrews and on shifter knob threads

∇ Use Pro-Lock Retaining 1 (P/N 840023 .5cc Tube) on inside bore of OPC Hub

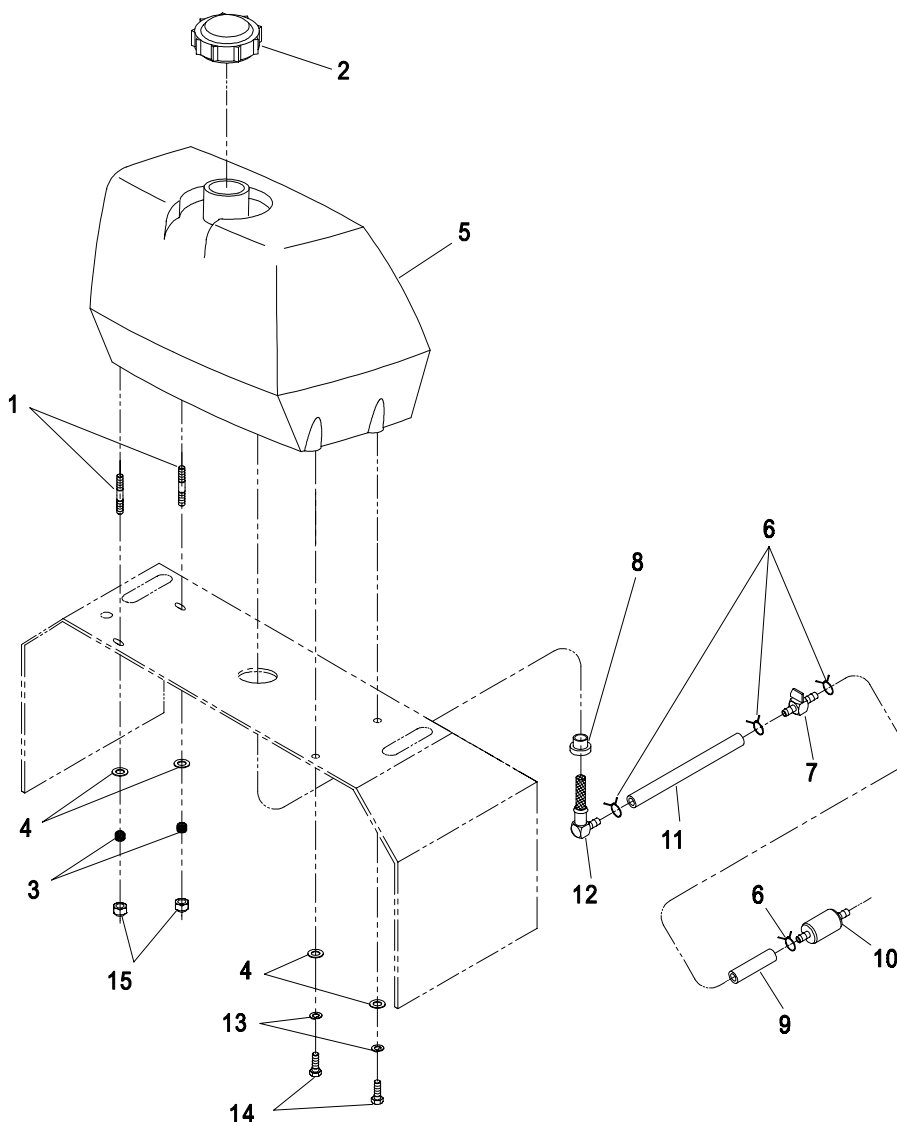
Exmark black touch up spray paint - Gloss black

DECALS



Ref. No.	Part No.	Description	Qty. Req'd.	Ref. No.	Part No.	Description	Qty. Req'd.
1	613253	Decal, Console	1	13	303508	Decal, Discharge Warning	1
2	513747	Decal, Battery	1	14	303293	Decal, 2 Minute Cool.....	1
3	513890	Decal, Hydraulic Tank	1	15	513746	Decal, Muffer	1
4	413214	Decal, Tracking.	1	16	323540	Decal, Roller Mounting.....	1
5	303520	Decal, Tri-vantage	1	17	643171	Decal, Patent No.	1
6	613050	Decal, Commercial 60.....	1	18	303517	Decal, Belt Drive	1
7	613044	Decal, "Swash" (large) TTH ...	1	19	403143	Decal, Sulky Warning.....	1
8	403132	Decal, Commercial 52.....	1	20	553049	Decal, Mower Deck	1
9	373066	Decal, Patent Pending.....	1	21	613100	Decal, Belt Route	1
10	303102	Decal, Neutral Lock	2	22	403005	Danger Label.....	2
11	603845	Decal, Drive Wheel Release ..	1		611117	Kit, Decal Complete	
12	613049	Decal, "Swash" (small) TTH...	1				

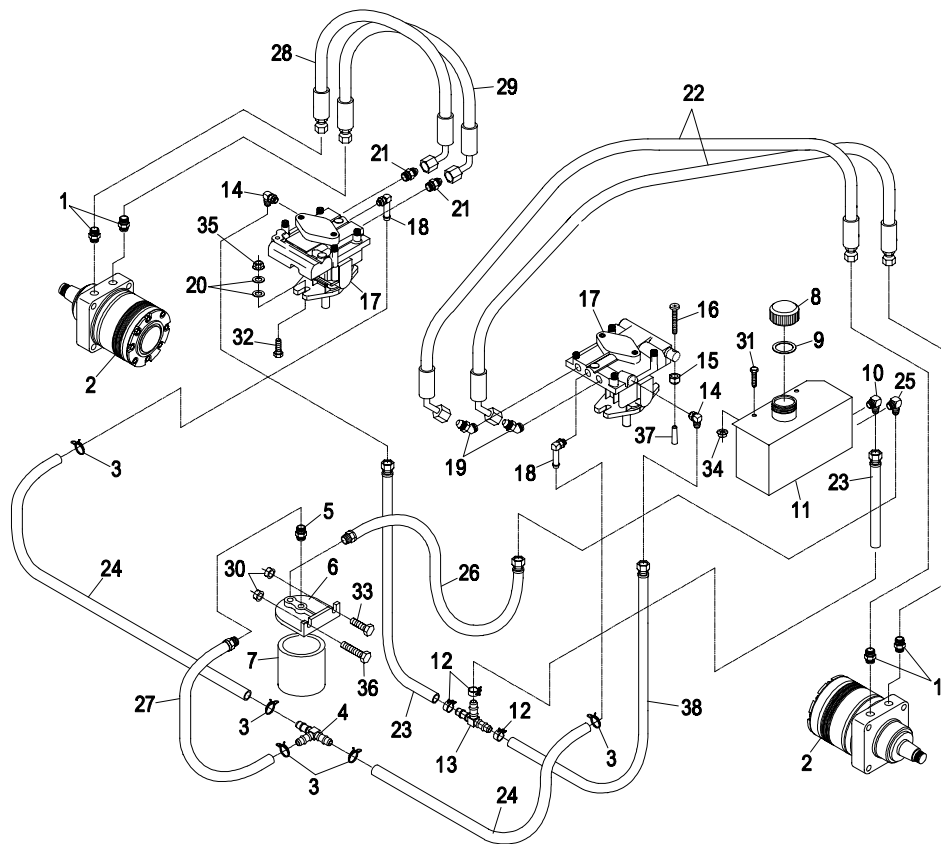
FUEL GROUP



Ref. No.	Part No.	Description	Qty. Req'd.	Ref. No.	Part No.	Description	Qty. Req'd.
1•	633023	Stud, fuel tank.....	2	9	603776	Hose, fuel 2.5 (Koh)	1
2	513508	Cap, gas	1		303022	Hose, fuel 8.5 (Kaw).....	1
3	633349	Spring, fuel tank.....	2	10	Kohler Part No. 2405002 fuel filter	1	
4	805257	Washer, flat 5/16 std	4		Kawasaki Part No. 49019-2075 fuel filter	1	
5	413179	Gas tank	1	11	543649	Hose, fuel 7.0 (Koh, Kaw)	1
6	303077	Clamp, fuel line.....	4	12	543277	Elbow, fuel tank	1
7	603770	Valve, fuel.....	1	13	805005	Washer, 5/16 lock	2
8	513645	Bushing, fuel.....	1	14	800271	Screw, 5/16-18 x 3/4	2
				15	804256	Nut, nylock 5/16-18	2

• Use Prolock, Retaining type (P/N 840023) .5cc tube on studs going into tank

HYDRAULICS GROUP



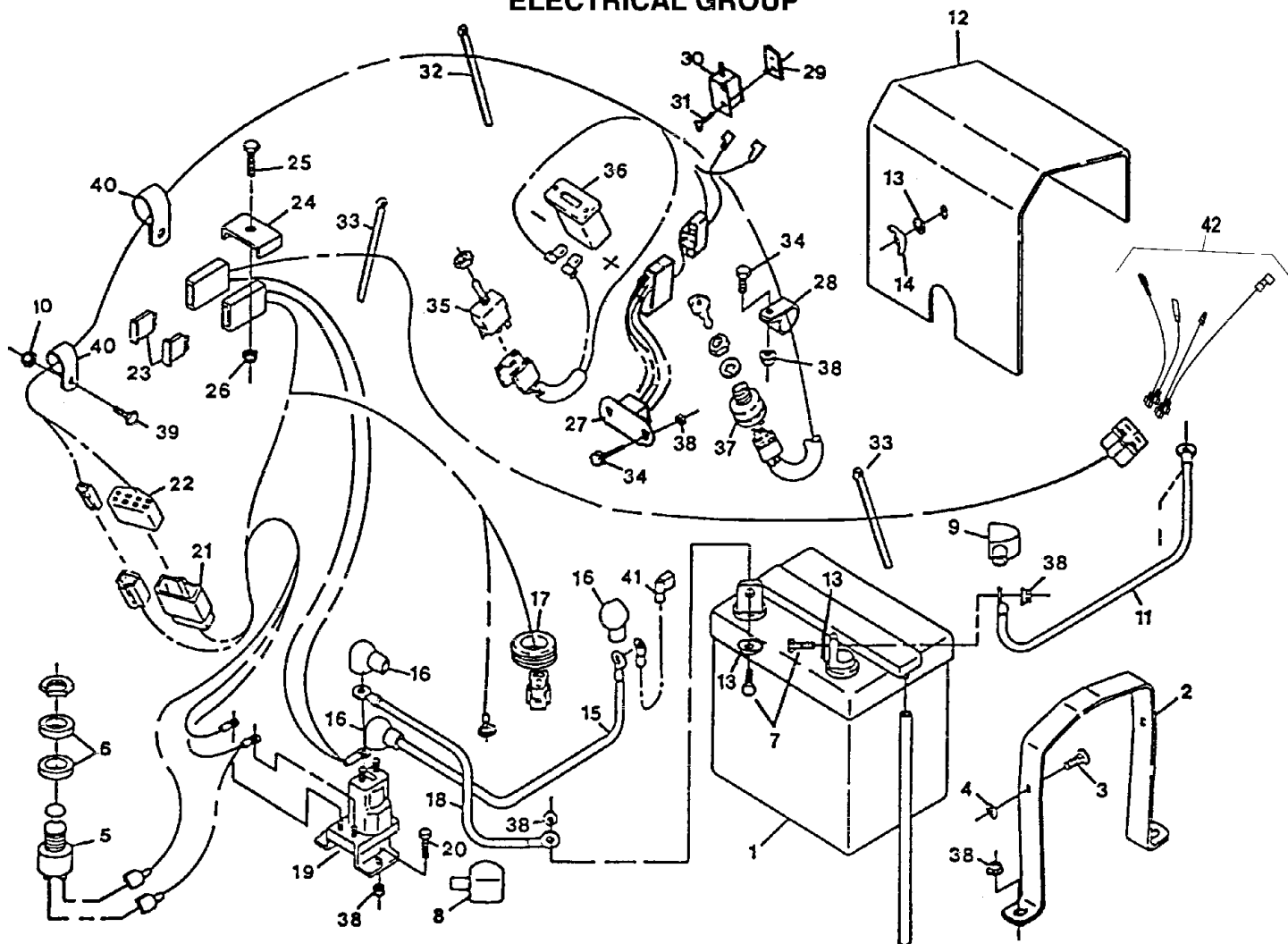
Ref. No.	Part No.	Description	Qty. Req'd.	Ref. No.	Part No.	Description	Qty. Req'd.
1	603991	Fitting, straight connector	4	18	603989	Elbow, 90°	2
	603919	Boss O-Ring	1		603923	O-Ring	1
	603992	Flare O-Ring	1	19	523221	Elbow, 45°	2
2	603718	Motor, wheel	2		603992	Flare O-Ring	1
	000119	Kit, seal	1		603920	Boss O-Ring	1
	000138	Kit, bearing	1	20	805258	Washer, 5/16 std	8
3	603827	Clamp, hose 5/8"	5	21	603990	Adapter, straight thread	2
4	603721	Fitting, hose tee (3/8 hose)	1		603920	Boss O-Ring	1
5	513510	Connector, male	1		603992	Flare O-Ring	1
6*	603720	Head, filter	1	22	603981	Hose, hydro (RH)	2
7	513211	Element, oil filter	1	23	602750	Hose assy, case drain	2
Δ	523541	Element, oil filter(winter)	1	24	603986	Hose assy, charge pump	2
8	513167	Cap, hydraulic reservoir	1	25	603988	Elbow, 90°	1
9	523103	Gasket, hydr. tank cap	1	26	602985	Hose assy, supply	1
10	603987	Elbow, 90°	1	27	602754	Hose assy, charge line	1
11*	512166	Reservoir, hydraulic fluid	1	28	613034	Hose, hydro (LH)	1
12	603826	Clamp, hose 1/2"	3	29	323241	Hose, hydro (LH)	1
13	603722	Fitting, hose tee(1/4 I.D hose)	1	30	809001	Nut, whizlock 5/16-18	2
14	513840	Elbow, 90°	2	31	800252	Screw, 1/4-20 x 3/4	2
	603921	O-Ring	1	32	800293	Screw, 3/8-16 x 1-1/4	4
15	804255	Nut, nylock 1/4-20	2	33	800271	Screw, 5/16-18 x 3/4	1
16	801063	Screw, 1/4-20 x 2 pan hd	2	34	809012	Nut, whizlock 1/4-20	2
17	613042	Pump, hydro	2	35	809007	Nut, whizlock 3/8-16	4
	2513018	Kit, overhaul seal	1	36	800273	Screw, 5/16-18 x 1	1
				37	613073	Grip, Dump Valve	2
				38	632285	Hose assy	1

* Use Teflon Pipe Sealant or equivalent on hydraulic reservoir fittings and filter head fittings.

Δ Use only for operation below 32°F(0°C)

Exmark black touch up spray paint - Gloss black

ELECTRICAL GROUP

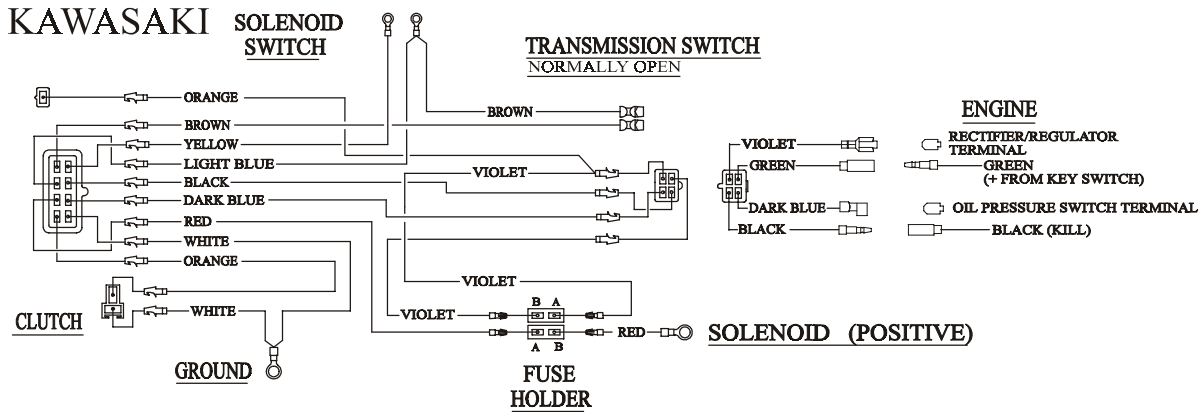
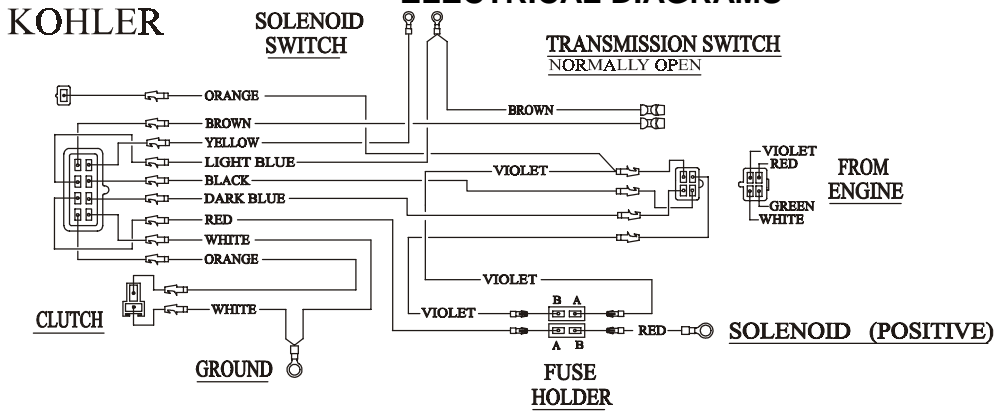


Ref. No.	Part No.	Description	Qty. Req'd.	Ref. No.	Part No.	Description	Qty. Req'd.
1	603479	Battery, 12V manifold.....	1	23	816001	Fuse, blade 20 amp.....	2
2	603814	Strap, battery holddown	1	24	603434	Clip, fuse block	1
3	807512	Bolt, carriage 1/4-20 x 3/4.....	2	25	800256	Screw, 1/4-20 x 1-1/2	1
4	803037	Nut, retaining 1/4-20	2	26	804255	Nut, nylock 1/4-20.....	1
5	603760	Switch, push button.....	1	27	613198	Module, Safety Interlock	1
6	303164	Spacer.....	2	28	513762	Clip, 1/2" Loom	1
7	800252	Screw, 1/4-20 x 3/4.....	2	29	633181	Plate, tapped.....	1
8	543391	Insulator, Battery +.....	1	30	513051	Switch.....	1
9	543390	Insulator, Battery -.....	1	31	803028	Screw, #10-24x5/8.....	2
10	809007	Nut, whizlock 3/8-16.....	1	32	303335	Plastic tie, (large).....	1
11	543767	Wire, ground	1	33	303287	Plastic tie	2
12	603105	Cover, battery debris.....	1	34	800251	Screw, 1/4-20 x 5/8.....	3
13	805256	Washer, 1/4 Flat	3	35	543018	Switch, toggle	1
14	803038	Wingnut, 1/4-20	2	36	513374	Meter, engine hour	1
15	603488	Wire, battery to starter (+).....	1	37	543070	Switch, ignition.....	1
16	543393	Insulator, solenoid.....	3		603511	Keys, ignition	1
17	543286	Grommet.....	1	38	809012	Nut, whizlock 1/4-20	9
18	513053	Wire, battery to solenoid (+)....	1	39	800292	Screw, 3/8-16 x 1.....	1
19	513075	Switch, 12V solenoid.....	1	40	603727	Clip, 9/16" loom	2
20	800250	Screw, 1/4-20 x 1/2	2	41	543084	Wire, starter solenoid (Koh only)	1
21	613010	Harness, engine deck.....	1	42	613262	Harness, wire (19 hp Kaw only)	1
22	613197	Harness, wire console.....	1				

Exmark black touch up spray paint - Gloss black

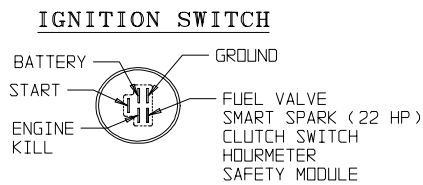
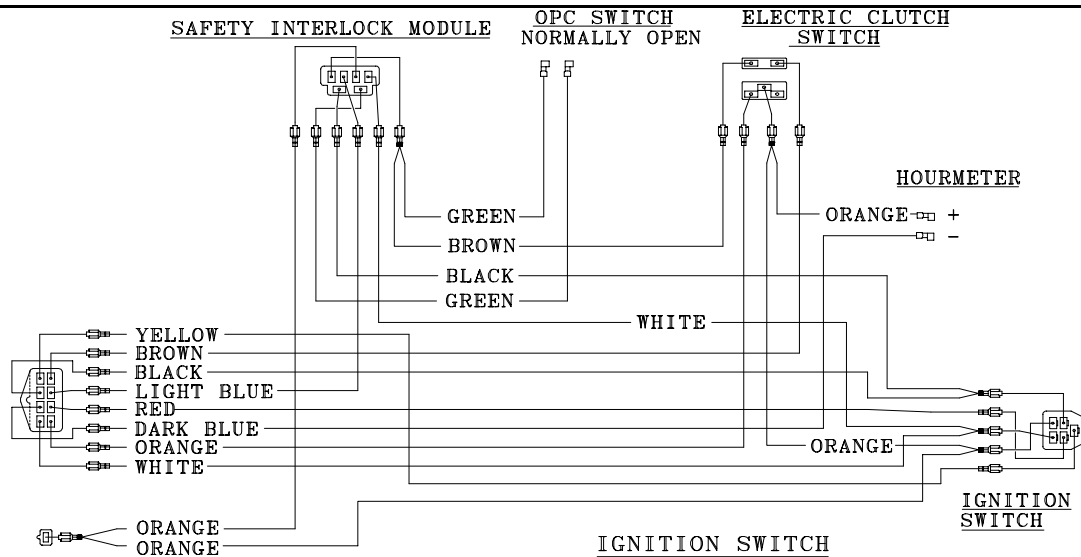
Apply dielectric grease to all electrical connectors

ELECTRICAL DIAGRAMS



Engine Deck Wiring Diagram

NOTE: All connectors are viewed from the *wire input* side of the connector.



POSITION	CIRCUIT "MAKE"
OFF	GROUND + ENGINE KILL
ON	BATTERY + FUEL VALVE + SMART SPARK (22HP) + CLUTCH SWITCH + HOURMETER + SAFETY MODULE
START	BATTERY + START + BATTERY + FUEL VALVE + SMART SPART (22 HP) + CLUTCH SWITCH + HOURMETER + SAFETY MODULE

Console Wiring Diagram

NOTE: All connectors are viewed from the *wire input* side of the connector.

**SEE EXMARK'S COMPLETE
LINE OF PRODUCTS FOR TURF CARE**

LAZER Z™

LAZER Z™ HP

EXPLORER®

TURF RANGER®

TURF TRACER®

TURF TRACER® HP

VIKING HYDRO

METRO™

METRO™ HP

SELF STEERING SULKY

GRASS CATCHER

MICRO-MULCH™ ACCESSORY

©1997,1998 EXMARK MFG. CO. INC.
INDUSTRIAL PARK BOX 808
BEATRICE, NE 68310

PART NO. 850621
(402) 223-6300
FAX (402) 223-5489

ALL RIGHTS RESERVED

PRINTED IN U.S.A.

