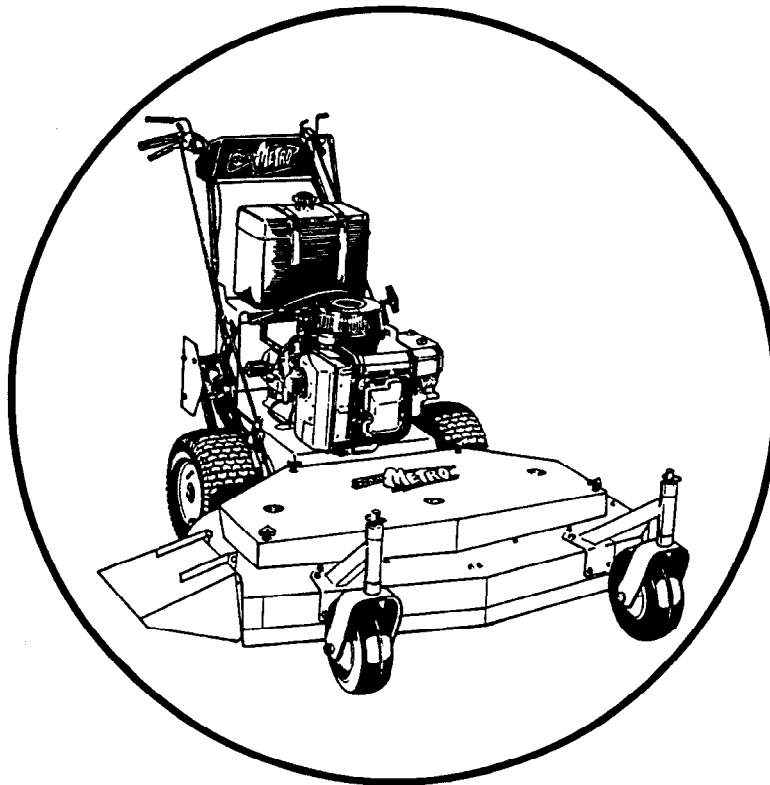




For Serial Nos.
130,000 and Higher

METRO



Parts Manual

CONGRATULATIONS on the purchase of your new Exmark mower. This product has been carefully designed and manufactured to give you a maximum amount of dependability and years of trouble-free operation.

If additional information is needed, or should you require trained mechanic service, contact your authorized Exmark equipment dealer or distributor.

If you need to order replacement parts from your dealer, always give the model number and serial number of your mower as well as the part number, description and quantity of the part needed.

The Serial No. plate is located on the top front engine frame on the right hand side of the machine.

For ease of ordering and reference, we suggest that you record the information requested in the following identification table.

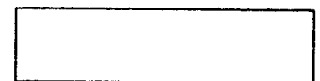
Model No. _____

Serial No. _____

Date Purchased _____

Purchased From _____

Paste Label From
Literature Packet Here



EXMARK PARTS PLUS® PROGRAM

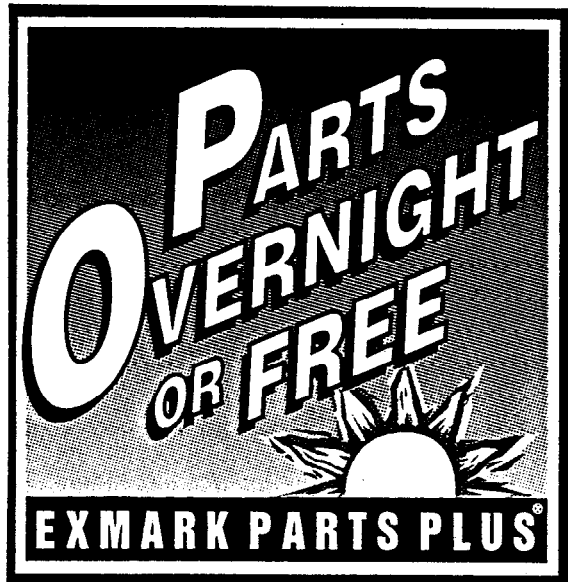
EFFECTIVE DATE: September 1, 1995

Program

If your Exmark dealer does not have the Exmark part in stock, Exmark will get the parts to the dealer the next business day or the part will be FREE* Guaranteed!!

How the Program Works

1. If dealer does not have part in stock for a "down" unit at the time of request by customer, the dealer contacts his distributor by 1:00 p.m., local time, and requests Exmark Parts Plus® shipment of six (6) line items or less.
2. Distributor ships part(s) to dealer or customer, as requested by dealer, same day, overnight UPS. Distributor bills dealer for part and freight charges where applicable.
3. If distributor does not have the part(s) in stock to satisfy Exmark Parts Plus® order, he contacts Exmark by 3:00 p.m., central time, with an Exmark Parts Plus® order of six (6) line items or less.
4. If order is received by 3:00 p.m. central time, Exmark ships part(s) direct to dealer or customer, as requested by distributor, same day, overnight UPS. Exmark bills the distributor for parts and shipping charges, where applicable.
5. The customer pays for the part and freight if it is shipped under the Exmark Parts Plus® and if it arrive in accordance to the program.
6. Who pays for the part and freight if it fails to arrive overnight in accordance to the program?
 - A. Under any circumstance the customer does not pay.
 - B. If the part does not arrive overnight due to:
 1. The dealer not submitting the Exmark Parts Plus® order to his Exmark distributor by 1:00 p.m., the dealer pays for the part and freight.
 2. The Distributor being unable to ship the part the same day or not submitting the Exmark Parts Plus® order to Exmark by 3:00 p.m., central time, the Distributor pays for the part and freight.
 3. Exmark being unable to ship the part and the Exmark parts order is received by 3:00 p.m., central time, Exmark pays for the part and freight.
 4. If the part does not arrive overnight due to the shipper (UPS), the shipper pays for the freight and Exmark pays for the part.



The following restrictions apply -- The Exmark Parts Plus® Program is available only through participating Exmark Dealers and applies only to orders submitted on this program Monday through Thursday. UPS has initiated a Saturday delivery program to many areas of the continental United States and can be requested for an overnight shipment on Friday to be delivered Saturday. The next day air charge, plus the Saturday delivery fee will be the responsibility of the purchaser. Exmark Mfg. will assume no responsibility for Saturday delivery shipments. To qualify, all Exmark Parts Plus® orders must be received by Exmark by 3:00 p.m., central time. Orders must be six (6) line items or less. Exclusions from the Exmark Parts Plus® Program are: Any wholegood or accessory in its entirety, engines and engine replacement parts, 5-speed Peerless transmissions and 5-speed transaxles, hydraulic or hydrostatic wheel motors, cutter decks and engine decks or any item exceeding United Parcel Service size and weight restrictions.

Due to UPS restrictions, aerosol spray paint is considered a hazardous material and cannot be shipped via UPS next day or Second Day Air.

Exmark Manufacturing stocks a limited supply of parts for transaxles, pumps and wheel motors. These parts can be ordered for Next Day Air shipment but will not be guaranteed per the Parts Plus Program.

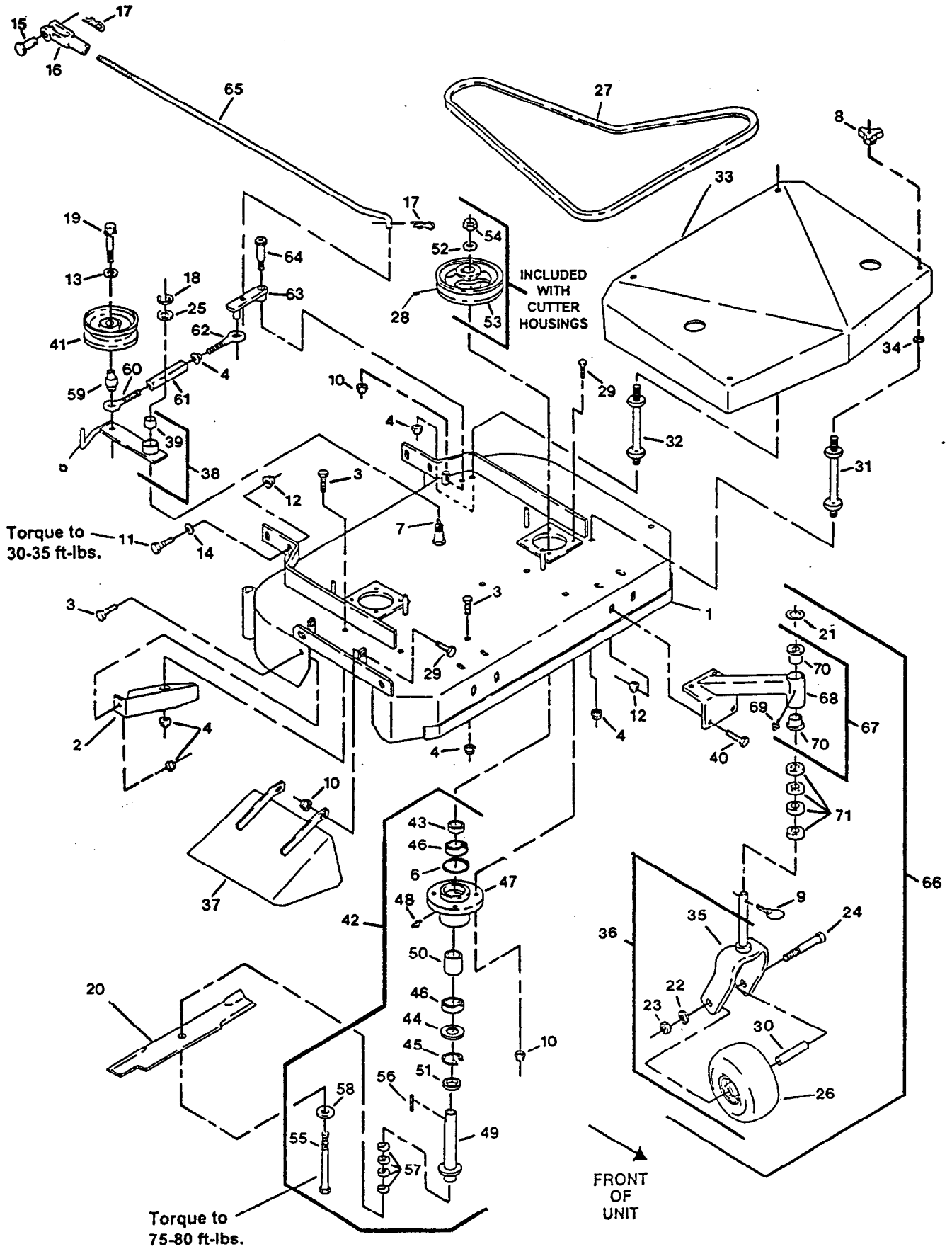


**READ OPERATOR'S MANUAL BEFORE
OPERATING OR SERVICING EXMARK EQUIPMENT.**

TABLE OF CONTENTS

<u>Description</u>	<u>Page</u>
Decals	16 - 17
Engine Deck Group	10 - 13
52" Mower Deck	7 - 9
48" Mower Deck	4 - 6
32" and 36" Mower Deck	2 - 3
Wiring Diagrams.....	18
Upper Handles & Controls.....	14 - 15

32" and 36" MOWER DECK



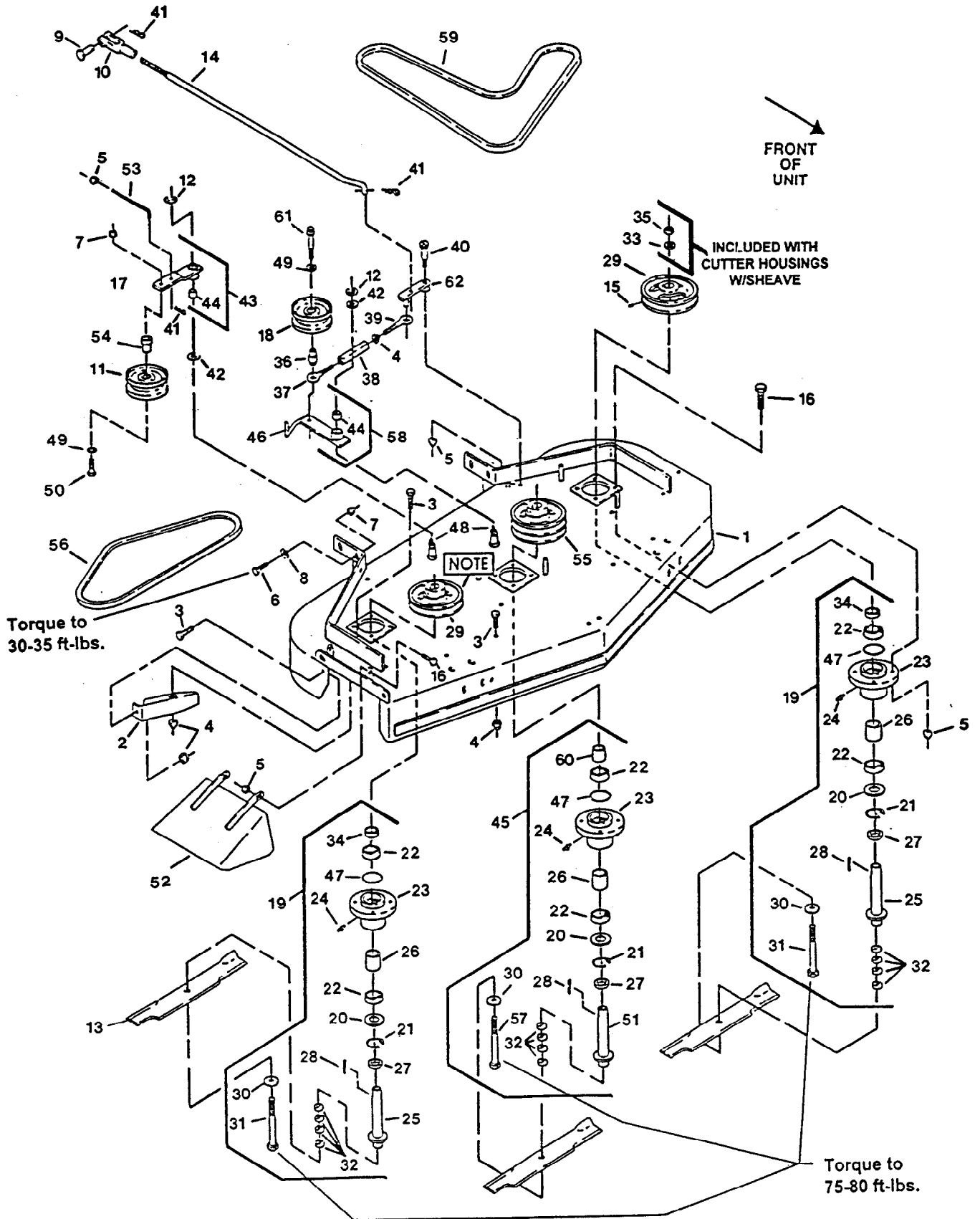
32" and 36" MOWER DECK

Ref. No.	Part No.	Description	Qty. Req'd.	Ref. No.	Part No.	Description	Qty. Req'd.
1	302227	Front Deck w/decals & dogleg (36")...	1	32	303536	Stud, belt shield (long).....	1
	302224	Deck weldmt (36").....	1	33	324208	Shield w/decals, 36" Metro.....	1
	302211	Front Deck w/decals & dogleg (32")...	1		302213	Shield weldmt, 36" Metro.....	1
	322143	Deck weldmt (32").....	1		324194	Shield w/decals, 32" Model.....	1
2	302189	Baffle wldmnt, dogleg.....	1		322149	Shield weldmt, 32" Model.....	1
3	800270	5/16-18 x 5/8 HHCS.....	8	34	323417	Washer, belt cover mount.....	4
4	809001	5/16-18 Whizlock nut.....	13	35	322145	Fork wldmnt, caster.....	2
5	302128	Arm weldmt.....	1	36	322154	Caster wheel assembly.....	2
6	303542	O-Ring.....	2	37	302054	Chute.....	1
7	811006	Zerk, 1/4-28 STRT.....	1	38	302129	Engagement arm w/bushing.....	1
8	323385	Knob, belt cover.....	4	39	303144	Powder metal bearing.....	1
9	809020	Quick pin, 10" caster.....	2	40	800290	3/8-16 x 3/4 HH capscrew.....	8
10	804256	5/16-18 Nylock hex nut.....	11	41	603843	Idler pulley (heavy duty).....	1
11	800293	3/8-16 x 1 1/4 HH capscrew.....	6	42	322166	Cutter housing w/sheave.....	2
12	809007	3/8-16 whizlock nut.....	8	43	323402	Spacer, bearing sheave.....	2
13	805259	3/8 Flatwasher.....	1	44	323408	Dust shield.....	2
14	303327	3/8 Disc spring washer.....	6	45	808506	Retaining ring.....	2
15	808280	5/16 x 1 Clevis pin.....	1	46	303543	Cutter housing bearing.....	4
16	303105	Yoke.....	1	47	323315	Cutter housing.....	2
17	806003	Cotter hairpin.....	2	48	811001	1/8 N.P.T. Straight zerk.....	2
18	808505	E-Ring for .875 rd.....	1	49	322164	Cutter spindle wldmnt.....	2
19	803003	3/8-16 x 1 3/4 Whizlock bolt.....	1	50	323400	Spacer (long).....	2
20	633482	Blade, 18" High Lift (36")(Std.).....	2	51	323399	Spacer (short).....	2
•	633484	Blade, Mulching (36").....	2	52	323339	Retaining washer, sheave.....	2
	633485	Blade, Low Lift (36") optional.....	2	53	303535	Pulley, cast iron.....	2
	323515	Blade, 16 1/4" High Lift (32")(Std.).....	2	54	804510	5/8-18 UNF hex nut.....	2
•	403148	Blade, Mulching (32").....	2	55	800861	5/8-18 x 8 HH Capscrew (Gr 5).....	2
	403149	Blade, Low Lift (32") optional.....	2	56	807267	Key, 1/4 x 3/16 x 1 1/4.....	2
21	513338	Washer, special.....	2	57	303164	Spacer, blade drive.....	8
22	805008	1/2 spring lockwasher.....	2	58	513208	5/8 Spring disc washer.....	2
23	804509	1/2-13 Hex nut.....	2	59	303434	Engagement bushing.....	1
24	800334	1/2-13 x 6 HH capscrew.....	2	60	303348	Eye bolt (left hand thread).....	1
25	303352	Washer, spindle.....	1	61	303236	Turnbuckle body.....	1
26	513648	Wheel & tire, complete.....	2	62	303238	Eye bolt (right hand thread).....	1
	513807	Wheel & hub.....	1	63	302198	Assist arm.....	1
	513808	Tire, 9 x 3.50-4 4-ply.....	1	64	809011	3/8 x 3/4 Shoulder bolt.....	1
	513809	Roller bearing.....	1	65	323303	Assist arm linkage.....	1
	513810	Bushing.....	2	66	322153	Caster/mount, complete.....	1
27	323299	Drive belt (to blades) 36" Model.....	1	67	302203	Caster wheel support w/bearings.....	2
	323345	Drive belt, (to blades) 32" Model.....	1	68	302194	Caster wheel support wldmnt.....	2
♦28	803310	Setscrew, 5/16-18 x 3/8.....	2	69	811001	Grease zerk, 1/8 N.P.T.....	2
29	800273	5/16-18 x 1 HH capscrew.....	10	70	303514	Flange, thrust bearing.....	4
30	513547	Spacer, front caster.....	2	71	303314	Spacer, 10" caster.....	8
31	303537	Stud, belt shield (short).....	2				

♦ Use Pro-lock Nut Type (p/n 840022 .5 ml tube) on setscrews

- Requires installation of Micro-Mulch accessory for proper mulching. Mulch kit P/N's MK322(32") or MK362(36")
- Exmark red touch up spray paint - P/N 850337

48" MOWER DECK



48" MOWER DECK

Ref. No.	Part No.	Description	Qty. Req'd.	Ref. No.	Part No.	Description	Qty. Req'd.
*1	402096	Front Deck w/decals & dogleg (48")...	1	31	800861	5/8-18x8 HH Capscrew(Gr5)	2
*	402091	Deck Weldmt, (48")	1	32	303164	Spacer, blade drive	12
2	302189	Baffle, dogleg	1	33	323339	Washer,retainer (sheave)	2
3	800270	5/16-18 x 5/8 HH capscrew	10	34	323402	Spacer, bearing (sheave)	2
4	809001	5/16-18 Whizlock nut	11	35	804510	5/8-18 UNF hex nut	3
5	804256	5/16-18 Nylock hex nut	16	36	303434	Engagement bushing	1
6	800293	3/8-16 x 1 1/4 HH capscrew	6	37	303348	Eye bolt (left hand thread)	1
7	809007	3/8-16 whizlock nut	7	38	303236	Turnbuckle body	1
8	303327	3/8 disc spring washer	6	39	303238	Eye bolt (right hand thread)	1
9	808280	5/16 x 1 Clevis pin	1	40	809011	3/8 x 3/4 Shoulder bolt	1
10	303105	Yoke	1	41	806003	Cotter hairpin	3
11	403119	Idler pulley "V"	1	42	303352	Washer, spindle	2
12	808505	E-Ring for .875 rd.	2	43	402053	Idler arm, complete (w/bushing)	1
13	323515	Blade, Ultra High Lift 16" (48")	3	44	303144	Powder metal bearing	2
•	403148	Blade, mulching (48")	3	45	402077	Cutter housing w/sheave (center)	1
	403149	Blade, Low Lift (48") optional	3	46	302128	Arm weldmt	1
14	323303	Assist arm linkage	1	47	303542	O-Ring	3
◆15	803310	Setscrew, 5/16-18 x 3/8	3	48	811006	Zerk 1/4-28 STRT	2
16	800273	5/16-18 x 1 HH capscrew	14	49	805259	3/8 Flatwasher	3
17	402052	Arm weldmt, RH	1	50	800295	3/8-16 X 1 3/4 HH capscrew	1
18	603843	Idler pulley	1	51	402075	Cutter spindle wldmnt, center (long)	1
19	322166	Cutter Housing w/sheave (LH)	2	52	302054	Chute	1
20	323408	Dust shield	3	53	403107	Belt tension rod	1
21	808506	Retaining ring	3	54	603496	Bushing, idler bearing	1
22	303543	Cutter housing bearing	6	55	403133	Double pulley	1
23	323315	Cutter housing	3	56	403025	V-Belt, front deck	1
24	811001	1/8 N.P.T. Straight zerk	3	57	800862	5/8-18 x 8 1/2 HH capscrew, Gr5	1
25	322164	Cutter spindle wldmnt (LH)	2	58	302129	Engagement arm w/bushing	1
26	323400	Spacer (long)	3	59	323300	Drive belt (main deck) 48"	1
27	323399	Spacer (short)	3	60	323404	Spacer, bearing (center sheave)	1
28	807267	Key, 1/4 x 3/16 x 1 1/4	3	61	803003	3/8-16 x 1 3/4 Whizlock bolt	1
29	303535	Pulley, cast iron	2	62	302198	Assist arm.	1
30	513208	5/8 Spring disc washer	3				

◆ Use Pro-lock Nut Type (p/n 840022 .5 ml tube) on setscrews

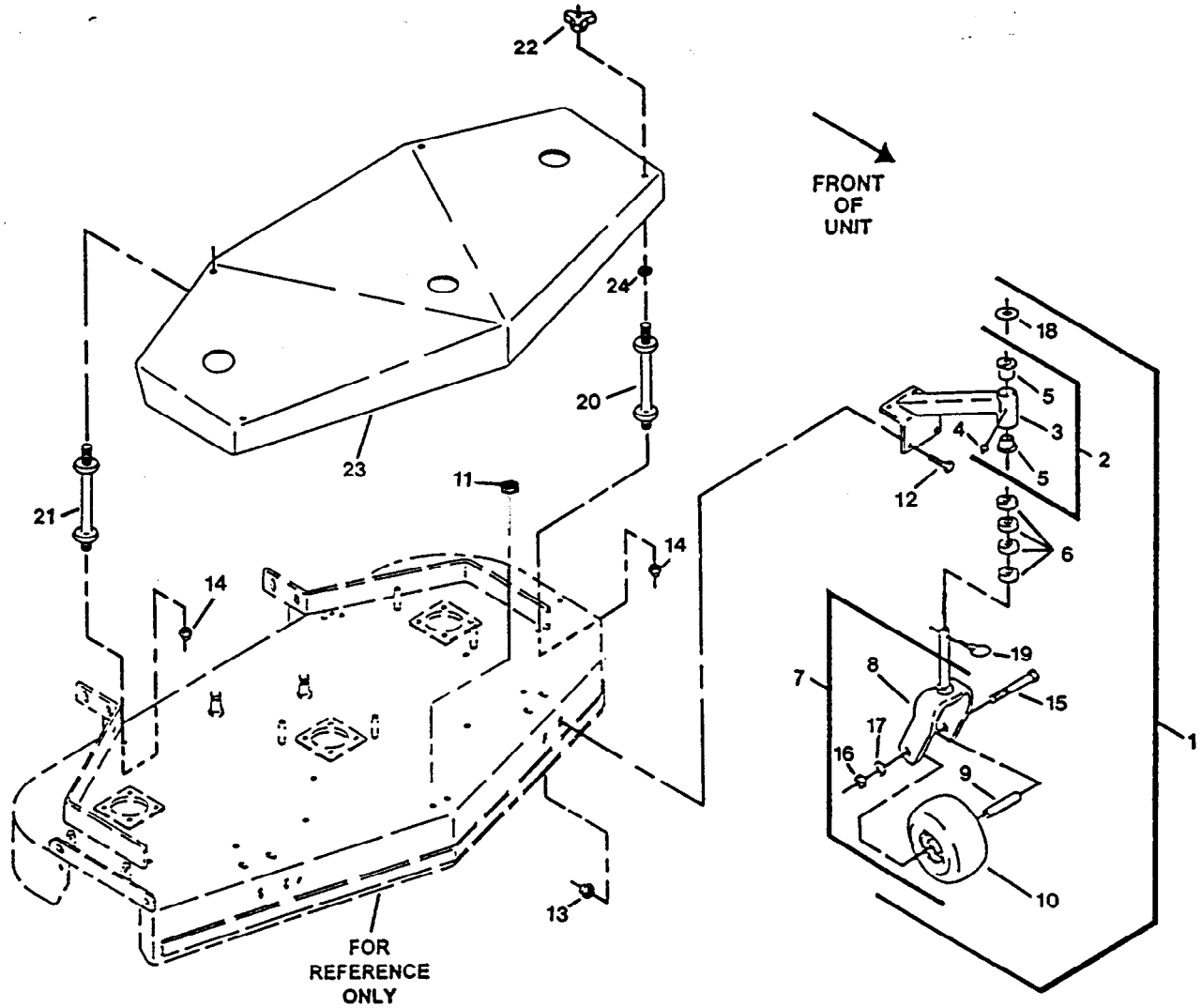
• Requires installation of Micro-Mulch accessory for proper mulching. Mulch kit P/N's MK482

NOTE: Pulley (Part No. 303535) on the *right hand* side (from operators position) is turned upside down with the long side of the hub facing up.

Exmark red touch up spray paint - P/N 850337

* Deck weldmt does not include flow control baffles - Flow control baffle kit is available P/N 401002

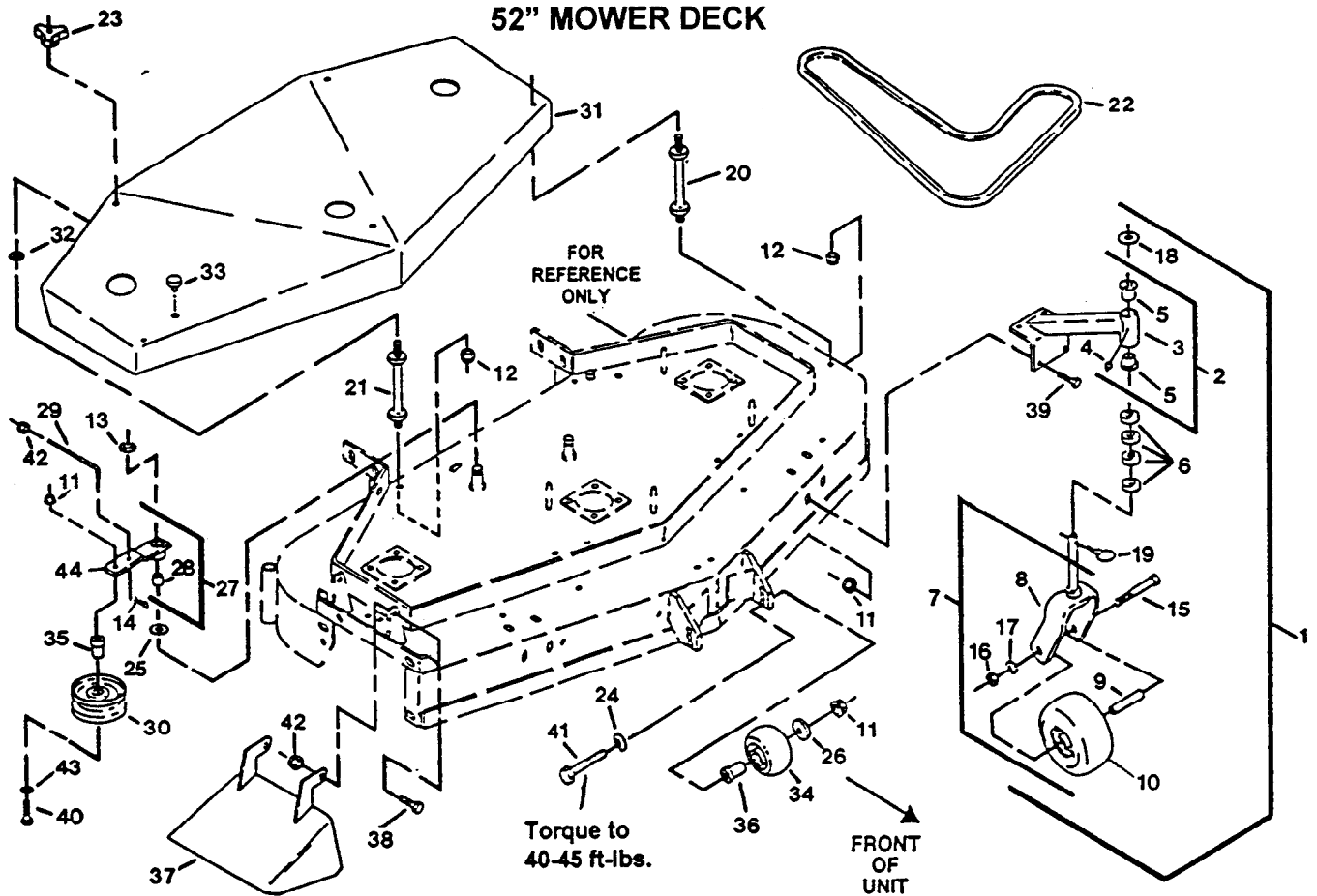
48" MOWER DECK (con't)



Ref. No.	Part No.	Description	Qty. Req'd.	Ref. No.	Part No.	Description	Qty. Req'd.
1	322153	Caster/mount, complete	2	11	403145	Rubber bumper	1
2	302203	Caster wheel support w/bearings.....	2	12	800290	3/8-16 x 3/4 HH capscrew	8
3	302194	Caster wheel support wldmnt.....	2	13	809007	3/8-16 Whizlock nut.....	8
4	811001	Grease zerk, 1/8 N.P.T.	2	14	809001	5/16-18 Whizlock nut.....	4
5	303514	Flange, thrust bearing	4	15	800334	1/2-13 x 6 HH capscrw	2
6	303314	Spacer, 10" caster.....	8	16	804509	1/2-13 Hex nut.....	2
7	322154	Caster wheel assembly	2	17	805008	1/2 spring lockwasher.....	2
8	322145	Fork wldmnt, caster.....	2	18	513338	Washer, special.....	2
9	513547	Spacer, front caster.....	2	19	809020	Quick pin, 10" caster	2
10	513648	Wheel & tire, complete	2	20	303537	Stud, belt shield (short)	2
	513807	Wheel & hub.....	2	21	303536	Stud, belt shield (long).....	2
	513808	Tire, 9 x 3.50-4 4-ply	2	22	323385	Knob, belt cover	4
	513809	Roller bearing.....	2	23	404172	Shield w/decals 48" Metro.....	1
	513810	Bushing	4	24	402064	Shield weldmt, 48" Metro.....	1
					323417	Washer, belt cover mount	4

Exmark red touch up spray paint - P/N 850337

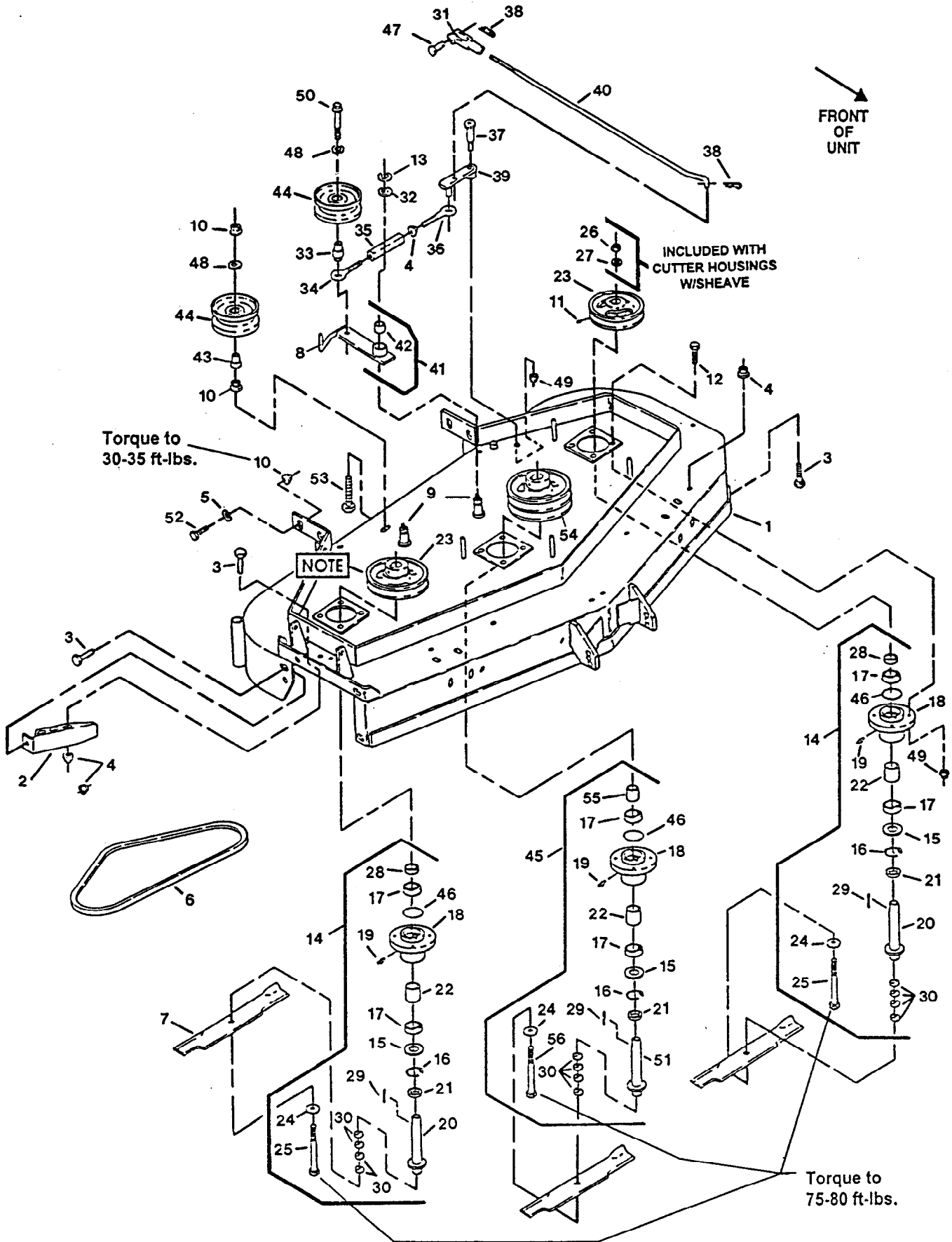
52" MOWER DECK



Ref. No.	Part No.	Description	Qty. Req'd.	Ref. No.	Part No.	Description	Qty. Req'd.
1	322153	Caster/mount, complete.....	2	21	303536	Stud, belt shield (long).....	3
2	302203	Caster wheel support w/bearings.....	2	22	323301	Drive belt	1
3	302194	Caster wheel support wldmnt.....	2	23	323385	Knob, belt cover	5
4	811001	Grease zerk, 1/8 N.P.T.	2	24	303327	3/8 Disc washer.....	2
5	303514	Flange, thrust bearing	4	25	303352	Washer, spindle.....	1
6	303314	Spacer, 10" caster.....	8	26	373034	Washer, pivot	2
7	322154	Caster wheel assembly	2	27	402053	Idler arm, complete (right).....	1
8	322145	Fork wldmnt, caster.....	2	28	303144	Bushing, powdered metal.....	1
9	513547	Spacer, front caster.....	2	29	403107	Belt tension rod	1
10	513648	Wheel & tire, complete	2	30	403119	Pulley, idler "V".....	1
	513807	Wheel & hub.....	2	31	404163	Shield w/decals 52" Metro.....	1
	513808	Tire, 9 x 3.50-4 4-ply	2		402069	Shield weldmt, 52" Metro.....	1
	513809	Roller bearing.....	2	32	323417	Washer, belt cover mount	5
	513810	Bushing	4	33	513291	Bumper, rubber	1
11	809007	3/8-16 Whizlock nut.....	11	34	603299	Roller, anti-scalp.....	2
12	809001	5/16-18 Whizlock nut.....	4	35	603496	Bushing, idler bearing.....	1
13	808505	E-Ring for .875 rd.....	1	36	603602	Bushing, roller	2
14	806003	Cotter hairpin.....	1	37	602571	Chute.....	1
15	800334	1/2-13 x 6 HH capscrew.....	1	38	800273	5/16-18 x 1 HH capscrew	2
16	804509	1/2-13 Hex nut.....	1	39	800290	3/8-16 x 3/4 HH capscrew	8
17	805008	1/2 spring lockwasher	1	40	800295	3/8-16 x 1 3/4 HH capscrew	1
18	513338	Washer, special.....	1	41	800807	3/8-16 x 4 HH capscrew Gr. 8.....	2
19	809020	Quick pin, 10" caster	1	42	804256	5/16-18 Nylock hex nut.....	3
20	303537	Stud, belt shield (short).....	2	43	805259	3/8 Flat washer.....	1
				44	402052	Arm weldmt	1

Exmark red touch up spray paint - P/N 850337

52" MOWER DECK (con't)



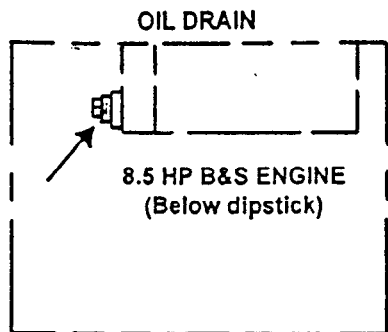
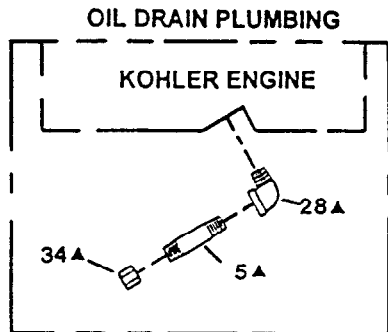
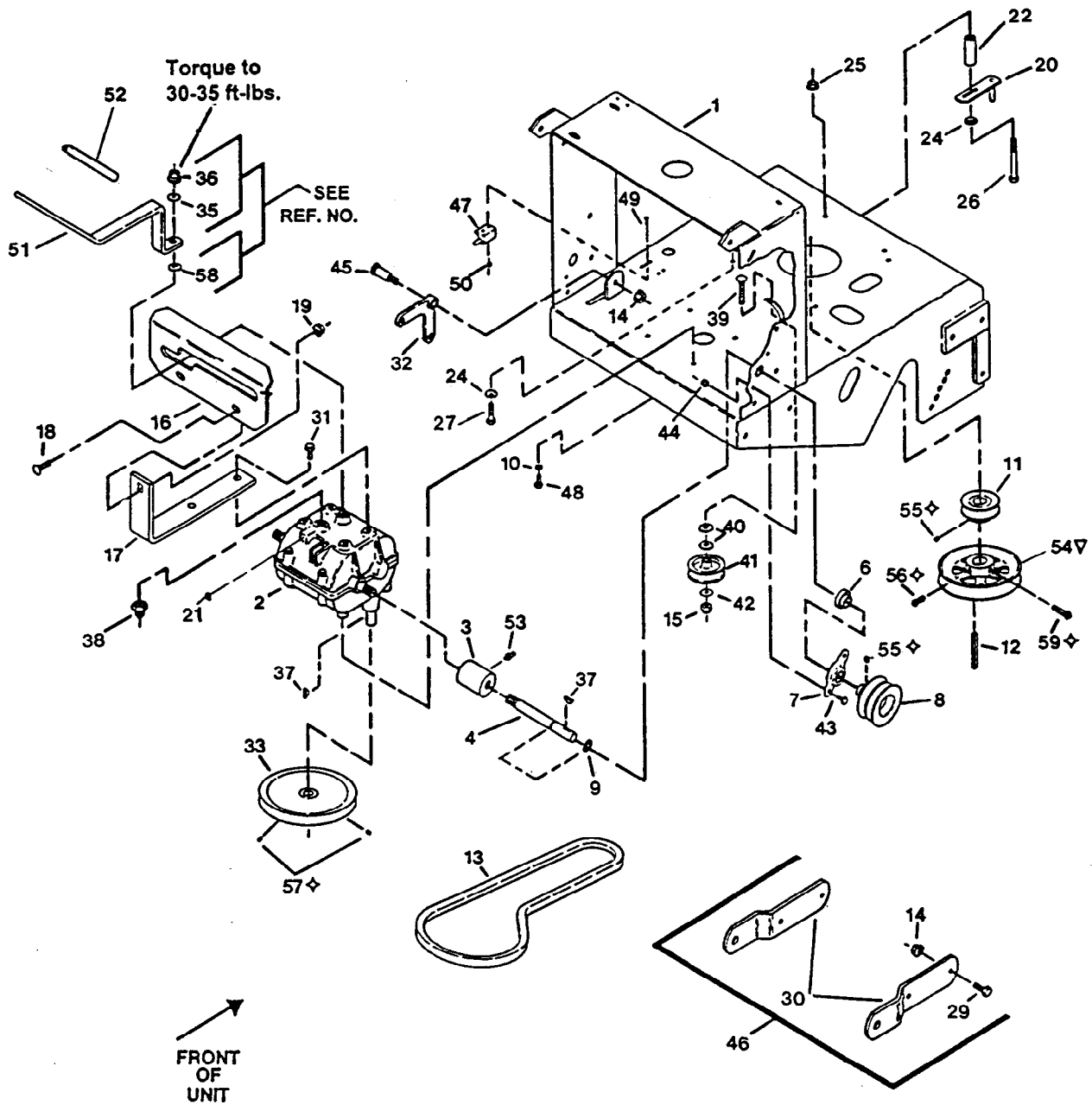
52" MOWER DECK

Ref. No.	Part No.	Description	Qty. Req'd.	Ref. No.	Part No.	Description	Qty. Req'd.
**1	402060	Deck weldmt w/decals & dogleg	1	27	323339	Washer, retainer (sheave)	3
**	402079	Deck weldmt.....	1	28	323402	Spacer, bearing	2
*	402101	Deck weldmt w/decals & dogleg	1	29	807267	Key, 1/4 x 3/16 x 1 1/4.....	3
*	402098	Deck weldmt.....	1	30	303164	Spacer, blade drive.....	12
2	402057	Baffle widmnt, discharge	1	31	303105	Yoke	1
3	800270	5/16-18 x 5/8 HHCS.....	11	32	303352	Washer, spindle.....	1
4	809001	5/16-18 Whizlock nut.....	11	33	303434	Engagement bushing.....	1
5	303327	3/8 Disc spring washer.....	7	34	303348	Eye bolt (left hand thread)	1
6	403105	V-Belt, front deck.....	1	35	303236	Turnbuckle body.....	1
7	633482	Blade, High Lift 18" (52")	3	36	303238	Eye bolt (right hand thread).....	1
	633485	Blade, Low Lift.....	3	37	809011	3/8 x 3/4 Shoulder bolt.....	1
•	633484	Blade, mulching.....	3	38	806003	Cotter hairpin.....	2
8	302128	Arm weldmt	1	39	302198	Assist arm.....	1
9	811006	Zerk, 1/4-28 STRT	2	40	323305	Assist arm linkage	1
10	809007	3/8-16 Whizlock nut.....	8	41	302129	Engagement arm w/bushing.....	1
♦11	803310	Setscrew, 5/16-18 x 3/8	3	42	303144	Bushing, powdered metal	1
12	800273	5/16-18 x 1 HH capscrew.....	12	43	543879	Bushing, idler.....	1
13	808505	E-Ring for .875 rd.....	1	44	603843	Idler pulley (heavy duty)	2
14	322166	Cutter housing w/sheave (LH).....	2	45	402077	Cutter housing w/sheave (center)	1
15	323408	Dust shield.....	3	46	303542	O-Ring	3
16	808506	Retaining ring	3	47	808280	5/16 x 1 Clevis pin	1
17	303543	Cutter housing bearing	6	48	805259	3/8 Flatwasher.....	3
18	323315	Cutter housing	3	49	804256	5/16-18 Nylock hex nut.....	13
19	811001	1/8 N.P.T. Straight zerk.....	3	50	803003	3/8-16 x 1 3/4 Whizlock bolt	1
20	322164	Cutter spindle widmnt.....	2	51	402075	Cutter spindle widmnt (long)	1
21	323399	Spacer (short)	3	52	800293	3/8-16 x 1 1/4 HH capscrew.....	6
22	323400	Spacer (long).....	3	53	800029	3/8-16 x 2 1/4 HH tap bolt.....	1
23	303535	Pulley, cast iron.....	2	54	403133	Double pulley.....	1
24	513208	5/8 Spring disc washer.....	3	55	323404	Spacer, bearing (center sheave).....	1
25	800861	5/8-18 x 8 HH Capscrew (Gr 5).....	2	56	800862	5/8-18 x 8 1/2 HH capscrew, Gr5.....	1
26	804510	5/8-18 UNF hex nut.....	3				

NOTE: Pulley (Part No. 303535) on the *right hand* side (from operators position) is turned upside down with the long part of the hub facing upward.

- ♦ Use Pro-lock Nut Type (p/n 840022 .5 ml tube) on setscrews
- Requires installation of Micro-Mulch accessory for proper mulching. Mulch kit P/N's MK522 (units without flow control baffles welded in deck) or MK523 (units with flow control baffles welded in deck)
Exmark red touch up spray paint - P/N 850337
- * Deck weldmt does include welded in flow control baffles
- ** Deck weldmt does not include flow control baffles - Flow control baffle kit is available P/N 611104

ENGINE DECK GROUP



ENGINE DECK GROUP

Ref. No.	Part No.	Description	Qty. Req'd.	Ref. No.	Part No.	Description	Qty. Req'd.
1	322201	Rear deck	1	28▲	303431	St. Elbow (brass) 3/8 NPT	1
2	323500	Transmission	1	29	800292	3/8-16 x 1 HH capscrew	4
3	323501	Coupling, transmission shaft	2	30	323318	Hitch bracket.....	2
4	323502	Output shaft, transmission.....	2	31	809013	5/16-18 x 3/4 Tapping screw	4
5▲	323326	Nipple (galvanized) 3/8 NPT x 3.0.....	1	32	303186	Bell crank.....	1
6	323252	Shaft bearing, transmission.....	2	33	323278	Sheave, transmission drive	1
7	323254	Bearing flange, transmission shaft	2	34▲	543233	Cap (hex) 3/8 NPT.....	1
8	323257	Sheave, wheel drive, 3 1/4".....	2	35	303327	3/8 Spring disc washer	1
	323363	Sheave, wheel drive, 3 1/4" (32")	2	36	804264	3/8-24 Hex nylock nut.....	1
9	808523	Retaining ring.....	2	37	807009	3/16 x 3/4 Woodruff key.....	3
10	805005	5/16 spring lockwasher.....	4	38	303282	Neutral start switch	1
11	323256	Sheave, transmission drive, 2 3/4"	1	39	807511	3/8-16 x 2 Carriage bolt, SSN.....	1
12	807264	1/4 sq. x 2 5/8 Key	1	40	805262	7/16 Std. Flatwasher.....	2
13	323280	Belt, transmission	1	41	323285	Idler pulley, transmission drive	1
14	809007	3/8-16 Whizlock nut.....	5	42	805259	3/8 SAE flatwasher	1
15	804257	3/8-16 Nylock nut.....	1	43	800251	1/4-20 x 5/8 HH capscrew	4
16	323387	Shifter plate	1	44	804255	1/4-20 Nylock nut.....	4
17	323389	Leg, shifter lever	2	45	603403	1/2 x 1 Shoulder bolt.....	1
18	807503	5/16-18 x 3/4 Carriage bolt.....	2	46	301023	Sulky Hitch Kit, Metro	1
19	809001	5/16-18 Whizlock nut	2	47	513051	Blade engagement switch.....	1
20	322110	Belt guide wldmnt (32" and 36")	2	48	800271	5/16-18 x 3/4 HH capscrew	4
	322110	Belt guide wldmnt (48" and 52")	3	49	803028	10-24 x 5/8 Pan Hd.....	2
21	323526	Ball S.S detent.....	1	50	804252	10-24 Nylock nut.....	2
22	323228	Spacer, belt guide (32" and 36").....	2	51	323376	Shift lever... ..	1
	323228	Spacer, belt guide (48" and 52").....	3	52	303020	Foam grip... ..	1
23	301024	Kit, Metro transmission.....	1	53	811006	1/4-28 Grease zerk (straight).....	2
24	303334	5/16 disc spring washer.....	4	54▽	303498	Pulley, blade drive (6 1/8").....	1
25	809001	5/16-18 Whizlock nut.....	4			(For 36" and 52" Models)	
		(Only with B/S engine)			403087	Pulley, blade drive (6 3/4").....	1
26*	800283	5/16-18 x 3 1/2 HH capscrew	2			(For 32" and 48" Models)	
		(With 32" Model 8.5 HP B&S Engine)		55◇	803310	5/16-18 x 3/8 Cuppoint setscrew	3
	809065	M8-1.25 x 75mm HH capscrew	2	56◇	803050	5/16-18 x 3/4 Sq. setscrew	1
		(32" and 36" Kawasaki & Kohler)		57◇	803293	1/4-20 x 3/8 Cuppoint setscrew	2
	809065	M8-1.25 x 75mm HH capscrew	3	58	323379	Washer, shifter lever.....	1
		(48" and 52" Kawasaki & Kohler)		59◇	803046	5/16-18 x 1 Sq. setscrew	1
27*	800275	5/16-18 x 1 1/2 HH capscrew	2				
		(With 32" Model 8.5 HP B&S Engine)					
	809072	M8-1.25 x 25mm HH capscrew	2				
		(32" & 36" Kawasaki & Kohler)					
	809072	M8-1.25 x 25mm HH capscrew	1				
		(48" and 52" Kawasaki & Kohler)					

◇ Use Pro-lock (Nut type) Part No. 840022 (.5mm tube) on setscrew threads

▽ Apply anti-seize compound to pulley bore(blade drive pulley)

▲ Use Teflon Pipe Sealant (or equivalent) on all threaded areas.

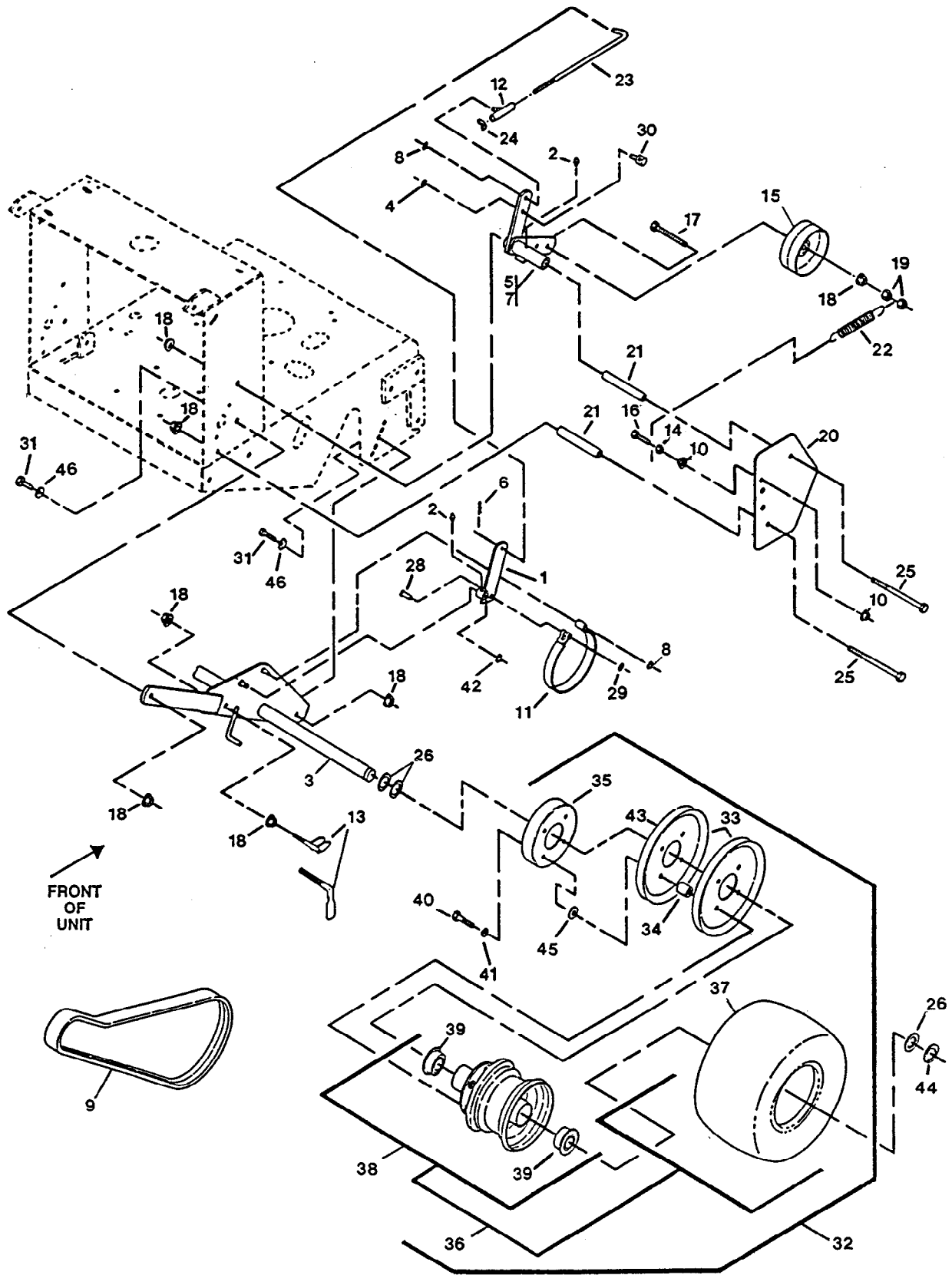
* Torque Engine Mounting Bolts: Briggs & Stratton to 15-20 ft-lbs / Kohler & Kawasaki to 25-30 ft-lbs.

• Apply loctite RC609 to pulley bore (transmission pulley)

Exmark red touch up spray paint - P/N 850337

Exmark black touch up spray paint - Gloss black

ENGINE DECK GROUP (con't)

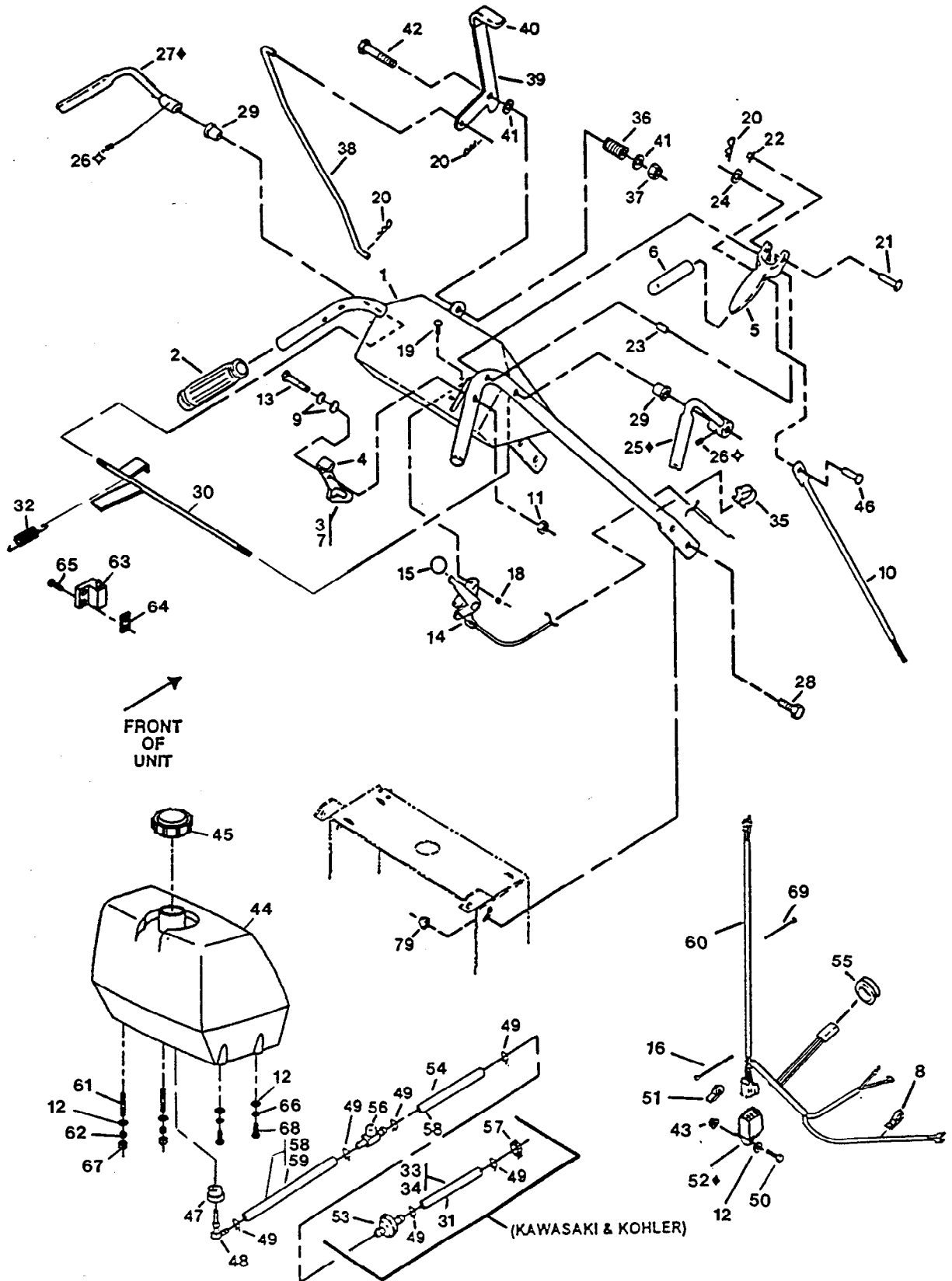


ENGINE DECK GROUP (con't)

Ref. No.	Part No.	Description	Qty. Req'd.	Ref. No.	Part No.	Description	Qty. Req'd.
1	322113	Brake arm wldmnt	2	25	800306	3/8-16 x 5 HH capscrew	4
2	811006	1/4-28 Grease zerk (straight)	4	26	523157	Spacer, wheel (14 Ga.)	As Req'd.
3	322117	Axle wldmnt	1		543436	Spacer, wheel (18 Ga.)	As Req'd.
	322141	Axle wldmnt (32" Model)	1	27	303327	3/8 Disc spring washer	4
4	808520	Klipring (for .31 shaft)	2	28	323307	3/8 Clevis pin	2
5	322119	Idler arm wldmnt (LH)	1	29	803051	3/8 Pushnut	2
6	806003	Cotter hairpin, #2	2	30	323368	Swivel, short adjust	2
7	322121	Idler arm wldmnt (RH)	1	31	800292	3/8-16 x 1 HH capscrew	2
8	808522	Klipring (for 3/8 shaft)	4	32	324146	Drive wheel, complete	2
9	323288	Belt, wheel drive	2		324193	Drive wheel, complete (32" Model)	2
	323344	Belt, wheel drive (32" Model)	2	33	323253	Sheave, wheel drive (8" A)	4
10	809001	5/16-18 Whizlock nut	4	34	323260	Spacer, wheel sheave	8
11	323262	Brake band	2	35	323261	Brake drum	2
12	322125	Swivel wldmnt, brake linkage	2	36	323276	Wheel and tire, complete	2
13	322123	Scraper wldmnt	2		323346	Wheel & Tire, complete(32"Model)	2
	603430	Scraper (32" Model)	2	37	303125	Tire, 13 x 6.50 - 6 (4-ply)	1
14	804256	5/16-18 Nylock nut	2		323361	Tire, 13 x 5.00 - 6 (4-ply)(32"Model)	1
15	323277	Idler pulley, wheel drive	2	38	323328	Wheel & hub w/bearings(32" Model)	1
	323352	Idler pulley, wheel drive (32" Model)	2		323360	Wheel & hub w/bearings	1
16	800274	5/16-18 x 1 1/4 HH capscrew	2	39	323329	Bearing, flanged	4
17	800032	3/8-16 x 3 HH Tap bolt	2	40	800273	5/16-18 x 1 HH capscrew (32")	4
18	809007	3/8-16 Whizlock nut	14		800274	5/16-18 x 1 1/4 HH capscrew	4
19	804257	3/8-16 Nylock nut	4	41	805005	5/16 Spring washer	8
20	323287	Shield, wheel drive	2	42	808501	E-Ring (for 1/2" shaft)	2
21	323283	Spacer	4	43	323349	Sheave, wheel drive (32"Model)	1
22	603402	Drive spring	2	44	808519	E-Ring (for 1" shaft)	2
23	323296	Brake rod	2	45	373034	Swivel washer (32" Model only)	4
24	513959	5/16-18 Nylock wingnut	2				

Exmark black touch up spray paint - Gloss black

UPPER HANDLES & CONTROLS



UPPER HANDLES & CONTROLS

Ref. No.	Part No.	Description	Qty. Req'd.	Ref. No.	Part No.	Description	Qty. Req'd.
1	322190	Handle wldmnt, 5-Speed.....	1	35	303088	Cable clip	1
2	303097	Handle grip.....	2	36	303160	Compression spring	1
3	302005	Latch w/grip (left)	1	37	804257	3/8-16 Nylock nut	1
4	303019	Grip, latch.....	2	38	323298	Linkage, blade drive	1
5	302006	Drive lever w/grip	2	39	322157	Engagement lever, blade	1
6	303021	Grip, drive lever.....	2	40	303020	Grip, lever.....	1
7	302007	Latch w/grip (right)	1	41	805260	3/8 Std. flatwasher	2
8	323229	Clip, 3/8 Loom (Kaw)	2	42	800296	3/8-16 x 2 HH capscrew.....	1
9	303435	Washer, 1/4 disc spring	4	43	804255	1/4-20 Nylock nut	1
10	323359	Linkage, wheel drive	2	44	413179	Tank, gas	1
11	804255	1/4-20 Nylock nut	2	45	513508	Cap, fuel tank	1
12	805256	1/4 STD. Flatwasher	5	46	323370	Clevis pin.....	2
13	800257	1/4-20 x 1 3/4 HH capscrew	2	47	513645	Bushing, fuel tank.....	1
14	323322	Throttle cable (Kaw. & Kohler).....	1	48	543277	Elbow, 90°	1
	323377	Throttle cable (8.5 HP, B&S).....	1	49	303077	Clamp, fuel line (8.5 HP, B&S).....	4
15	513592	Knob, (red ball)	1		303077	Clamp, fuel line (Kawasaki).....	5
16	303287	Plastic tie, 5 1/2" (Kaw).....	5		303077	Clamp, fuel line (Kohler).....	6
	303287	Plastic tie, 5 1/2" (Kohler & B&S).....	3	50	800252	1/4-20 x 3/4 HH capscrew.....	1
17	804257	3/8-16 Nylock nut	4	51	323229	Clip, 3/8 Loom (Kohler & B&S).....	1
18	804252	10-24 Nylock hex nut	2	52♦	323430	Interlock, OPC.....	1
19	807513	10-24 x 1/2 Carriage bolt	2	53	303197	Gas filter (Kawasaki & Kohler).....	1
20	806003	Hairpin cotter.....	4	54	603776	Fuel line, 2.5" (Kaw. & Kohler).....	1
21	808250	3/16 x 1 3/4 Clevis pin.....	2	55	543296	Grommet, fuel tank.....	1
22	803001	3/16 Palnut.....	2	56	603770	Fuel valve.....	1
23	806340	5/16 x 1 Rollpin	2	57	303308	Clamp, fuel line (Kawasaki).....	1
24	805258	5/16 Std. flat washer	2	58	603955	Fuel line, 6" (8.5 HP, B&S).....	2
25♦	302138	Lever, OPC (RH).....	1	59	603955	Fuel line, 6" (Kaw. & Kohler).....	1
26♦	803322	5/16-24 Setscrew	2	60	323511	Wiring harness (Kawasaki)	1
27♦	322188	Lever, OPC (LH)	1		323512	Wiring harness (Kohler)	1
28	800292	3/8-16 x 1 HH capscrew	4		323510	Wiring harness (8.5 HP, B&S).....	1
29	303365	Nylon bushing	2	61•	633023	Stud, gas tank	2
30	322192	Connecting rod.....	1	62	633349	Spring, gas tank	2
31	303471	Fuel line, 12" (14 HP Kawasaki)	1	63	513051	Switch	1
32	303363	Actuator spring.....	1	64	633181	Plate, tapped	1
33	303022	Fuel line, 8.5" (12.5 HP Kawasaki)	1	65	803028	Screw	1
34	603954	Fuel line, 13.75" (Kohler)	1	66	805005	Washer Lock 5/16	2
				67	804256	Nut, Nylock 5/16-18.....	2
				68	800271	Screw, 5/16-18X3/4.....	2
				69	303335	Plastic tie, large.....	2

♦ Use Pro-lock (Nut type) Part No. 840022 (.5 mm tube) on setscrew threads.

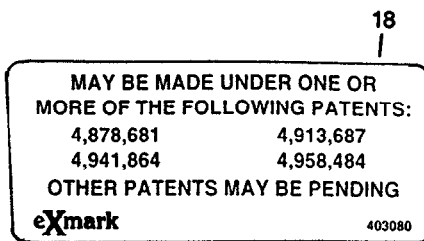
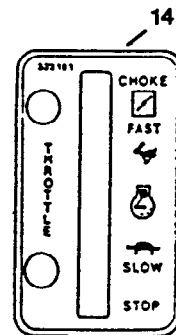
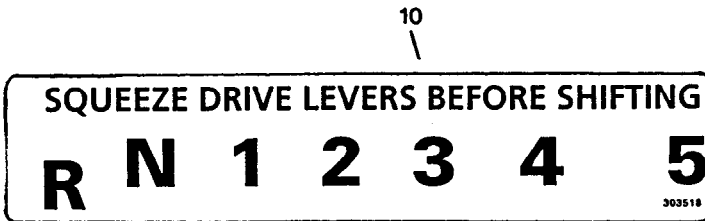
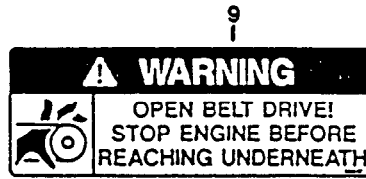
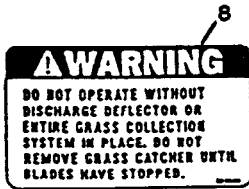
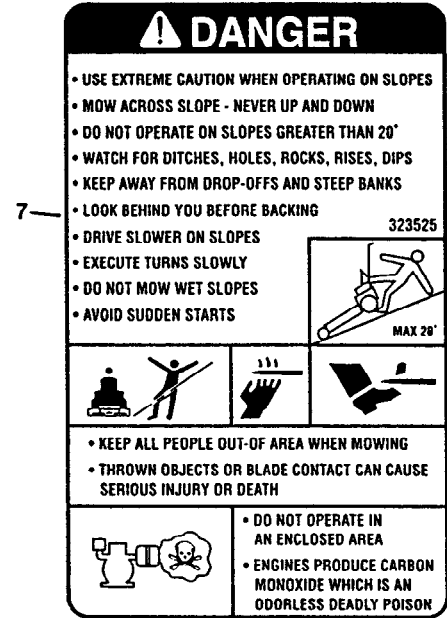
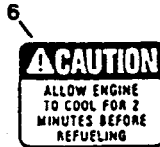
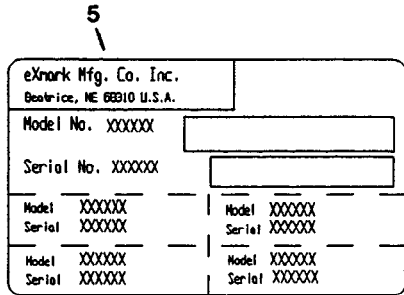
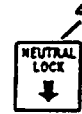
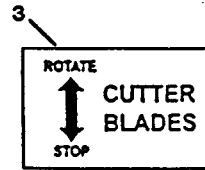
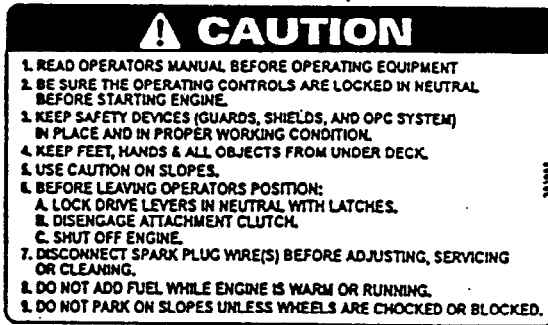
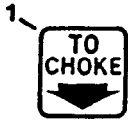
• Not illustrated. Use Pro-lock (Retaining) on inside of OPC hub (See Operator's Manual) & on fuel tank studs

♦ OPC refers to Operator Presence Control.

NOTE: Use dielectric grease on all electrical connections.

Exmark black touch up spray paint - Gloss black

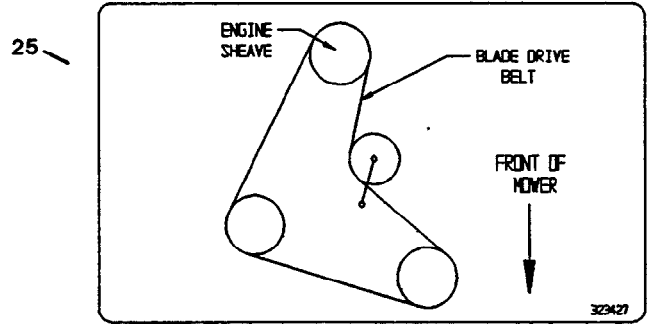
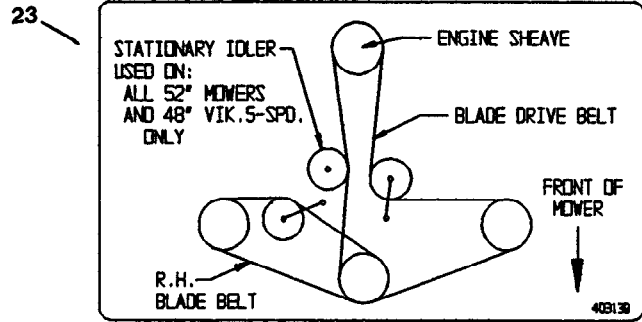
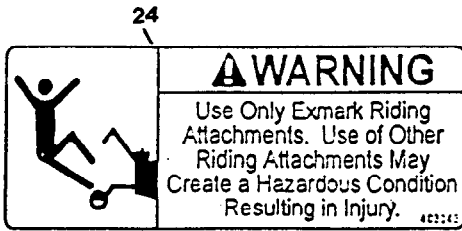
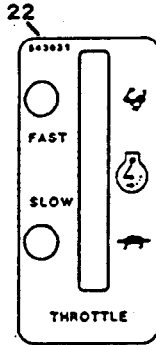
DECALS



DECALS

19
COMMERCIAL 48

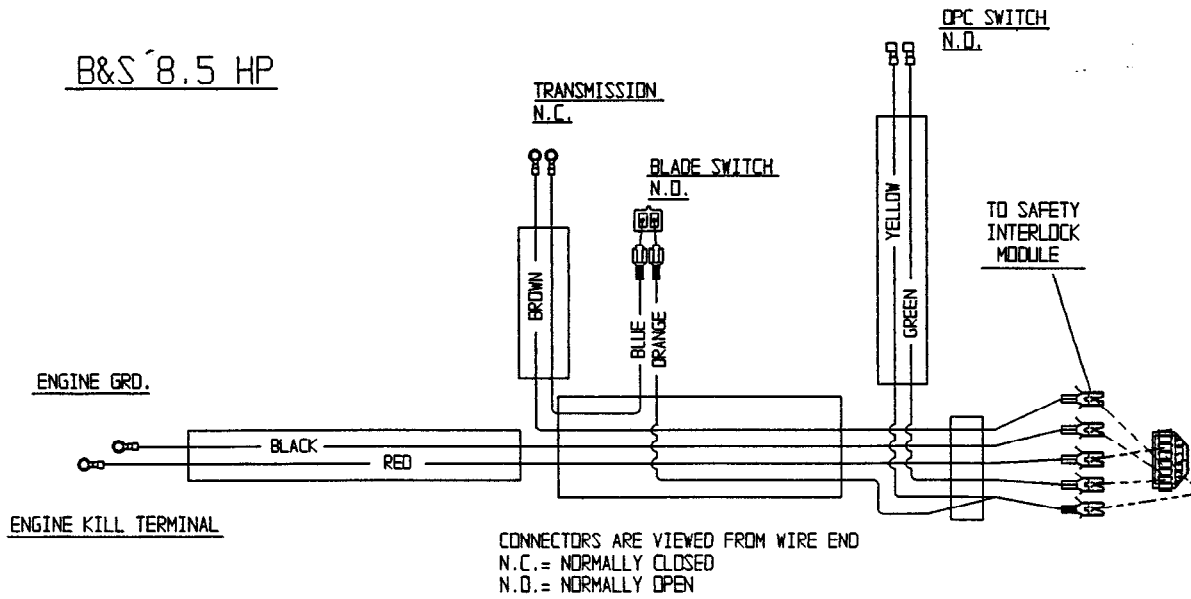
20
COMMERCIAL 52



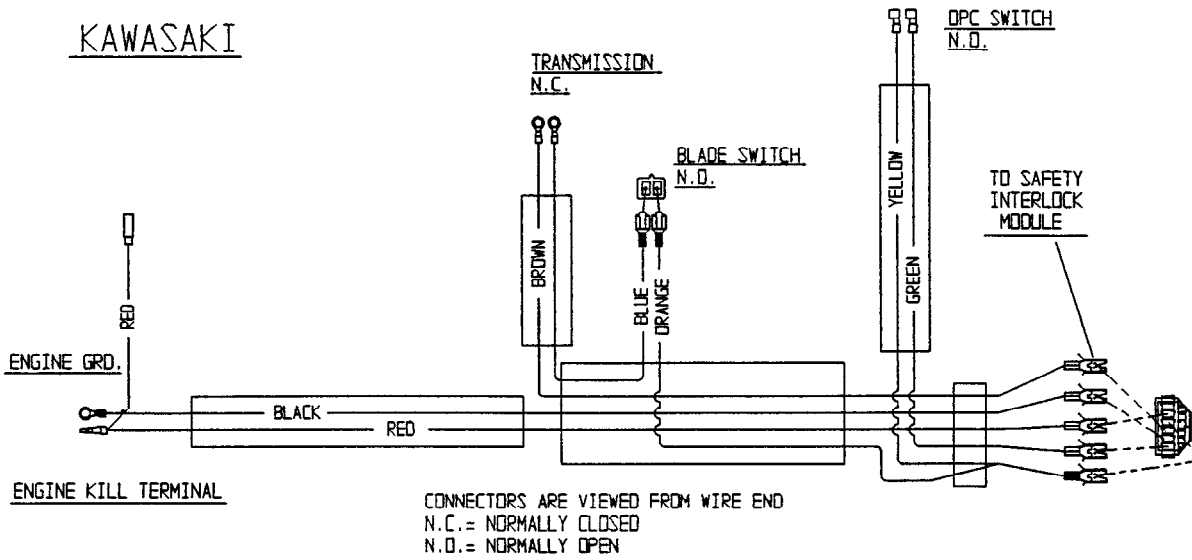
Ref. No.	Part No.	Description	Qty. Req'd.	Ref. No.	Part No.	Description	Qty. Req'd.
1	303001	Decal, Choke (B&S 8.5 hp)	1	15	323411	Danger, Commercial 36"	1
2	303085	Instruction Label	1	16	323412	Decal, Large Metro	1
3	303100	Decal, Cutter Blade	1	17	403005	Danger, Label(48" & 52")	2
4	303102	Neutral Lock Label	2		403005	Danger Label(32" & 36")	1
5	303161	Serial No. Plate	1	18	403080	Decal, Patent(32")	1
6	303293	Decal, 2 Minute Cool	1	19	403131	Decal, Commercial 48"	1
7	323525	Decal, Danger	1	20	403132	Decal, Commercial 52"	1
8	303508	Decal, Discharge Warning	1	21	513746	Decal, Muffler	1
9	303517	Decal, Belt Drive	1		513746	Decal, Muffler(32")	2
10	303518	Decal, Shifter	1	22	543631	Decal, Throttle(B&S 8.5 HP)	1
11	303520	Decal, TriVantage	1	23	403139	Decal, Belt Routing (48" & 52")	1
12	323410	Decal, Commercial 32"	1	24	403143	Decal, Sulky Warning	1
13	323312	Decal, Small Metro	1	25	323427	Decal, Belt Routing (32" & 36")	1
14	323151	Decal, Throttle/Choke (Kawasaki & Kohler)	1				

WIRING DIAGRAMS

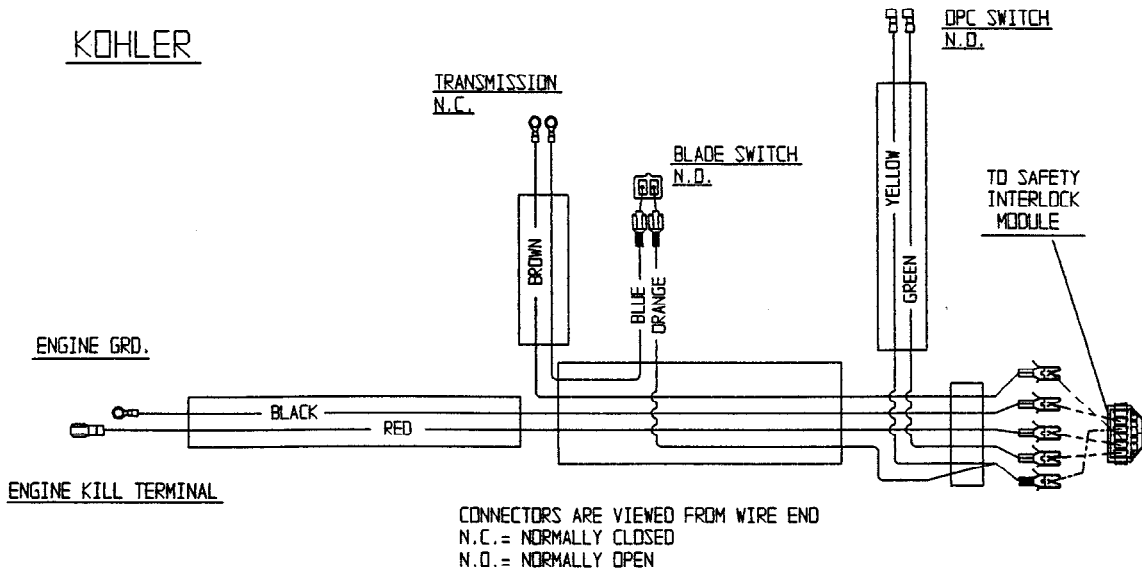
B&S 8.5 HP



KAWASAKI



KOHLER



**SEE EXMARK'S COMPLETE
LINE OF PRODUCTS FOR TURF CARE**

LAZER Z

EXPLORER

TURF RANGER

TURF TRACER HYDR0

TURF TRACER HP

VIKING 5-SPEED

VIKING HYDRO

METRO

SELF STEERING SULKY

GRASS CATCHER

MICRO-MULCHING ACCESSORY

**EXMARK MFG. CO. INC.
INDUSTRIAL PARK BOX 808
BEATRICE, NE. 68310**

ALL RIGHTS RESERVED

**PART NO. 850420
(402) 223-4010
FAX (402) 223-4154**

PRINTED IN U.S.A.

