



M216KASPC

For Serial Nos.  
220,000 & Higher



PARTS MANUAL

# METRO<sup>TM</sup> 21

## BLADE BRAKE CLUTCH MODEL

**CONGRATULATIONS** on the purchase of your new Exmark mower. This product has been carefully designed and manufactured to give you a maximum amount of dependability and years of trouble-free operation.

If additional information is needed, or should you require trained mechanic service, contact your authorized Exmark equipment dealer or distributor.

If you need to order replacement parts from your dealer, always give the model number and serial number of your mower as well as the part number, description and quantity of the part needed.

The Serial No. plate is located on the top of the mower deck on the right hand rear corner.

For ease of ordering and reference, we suggest that you record the information requested in the following identification table.

Model No. \_\_\_\_\_

Serial No. \_\_\_\_\_

Engine Model No. \_\_\_\_\_

Engine Serial No. \_\_\_\_\_

Date Purchased \_\_\_\_\_

Paste Label From  
Literature Packet Here

# EXMARK PARTS PLUS® PROGRAM

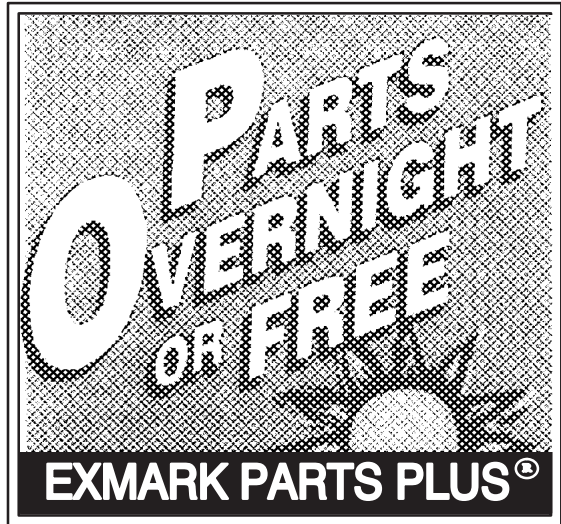
**EFFECTIVE DATE: September 1, 1995**

## Program

If your Exmark dealer does not have the Exmark part in stock, Exmark will get the parts to the dealer the next business day or the part will be FREE\* Guaranteed!!

## **How the Program Works**

1. If dealer does not have part in stock for a "down" unit at the time of request by customer, the dealer contacts his distributor by 1:00 p.m., local time, and requests Exmark Parts Plus® shipment of six (6) line items or less.
2. Distributor ships part(s) to dealer or customer, as requested by dealer, same day, overnight UPS. Distributor bills dealer for part and freight charges where applicable.
3. If distributor does not have the part(s) in stock to satisfy Exmark Parts Plus® order, he contacts Exmark by 3:00 p.m., central time, with an Exmark Parts Plus® order of six (6) line items or less.
4. If order is received by 3:00 p.m. central time, Exmark ships part(s) direct to dealer or customer, as requested by distributor, same day, overnight UPS, Exmark bills the distributor for parts and shipping charges, where applicable.
5. The customer pays for the Part and freight if it is shipped under the Exmark Parts Plus® and if it arrive in accordance to the program.
6. Who pays for the part and freight if it fails to arrive overnight in accordance to the program?
  - A. Under any circumstance the customer does not pay.
  - B. If the part does not arrive overnight due to:
    1. The dealer not submitting the Exmark Parts Plus® order to his Exmark distributor by 1:00 p.m., the dealer pays for the part and freight
    2. The Distributor being unable to ship the part the same day or not submitting the Exmark Parts Plus® order to Exmark by 3:00 p.m., central time, the Distributor pays for the part and freight.
    3. Exmark being unable to ship the part and the Exmark parts order is received by 3:00 p.m., central time, Exmark pays for the part and freight.
    4. If the part does not arrive overnight due to the shipper (UPS), the shipper pays for the freight and Exmark pays for the part.



**The following restrictions apply** — The Exmark Parts Plus® Program is available only through participating Exmark Dealers and applies only to orders submitted on this program Monday through Thursday. Parts Plus service is available only in the 48 contiguous United States. UPS has initiated a Saturday delivery program to many areas of the continental United States and can be requested for an overnight shipment on Friday to be delivered Saturday. The next day air charge, plus the Saturday delivery fee will be the responsibility of the purchaser. Exmark Mfg. will assume no responsibility for Saturday delivery shipments. To qualify, all Exmark Parts Plus® orders must be received by Exmark by 3:00 p.m., central time. Orders must be six (6) line items or less. Exclusions from the Exmark Parts Plus® Program are: Any wholegood or accessory in its entirety, engines and engine replacement parts, 5-speed Peerless transmissions and 5-speed transaxles, hydraulic or hydrostatic wheel motors, cutter decks and engine decks or any item exceeding United Parcel Service size and weight restrictions.

Due to UPS restrictions, aerosol spray paint is considered a hazardous material and cannot be shipped via UPS next day or Second Day Air.

Exmark Manufacturing stocks a limited supply of parts for transaxles, pumps and wheel motors. These parts can be ordered for Next Day Air shipment but will not be guaranteed per the Parts Plus Program.



# WARNING

READ OPERATOR'S MANUAL BEFORE  
OPERATING OR SERVICING EXMARK EQUIPMENT.

## TABLE OF CONTENTS

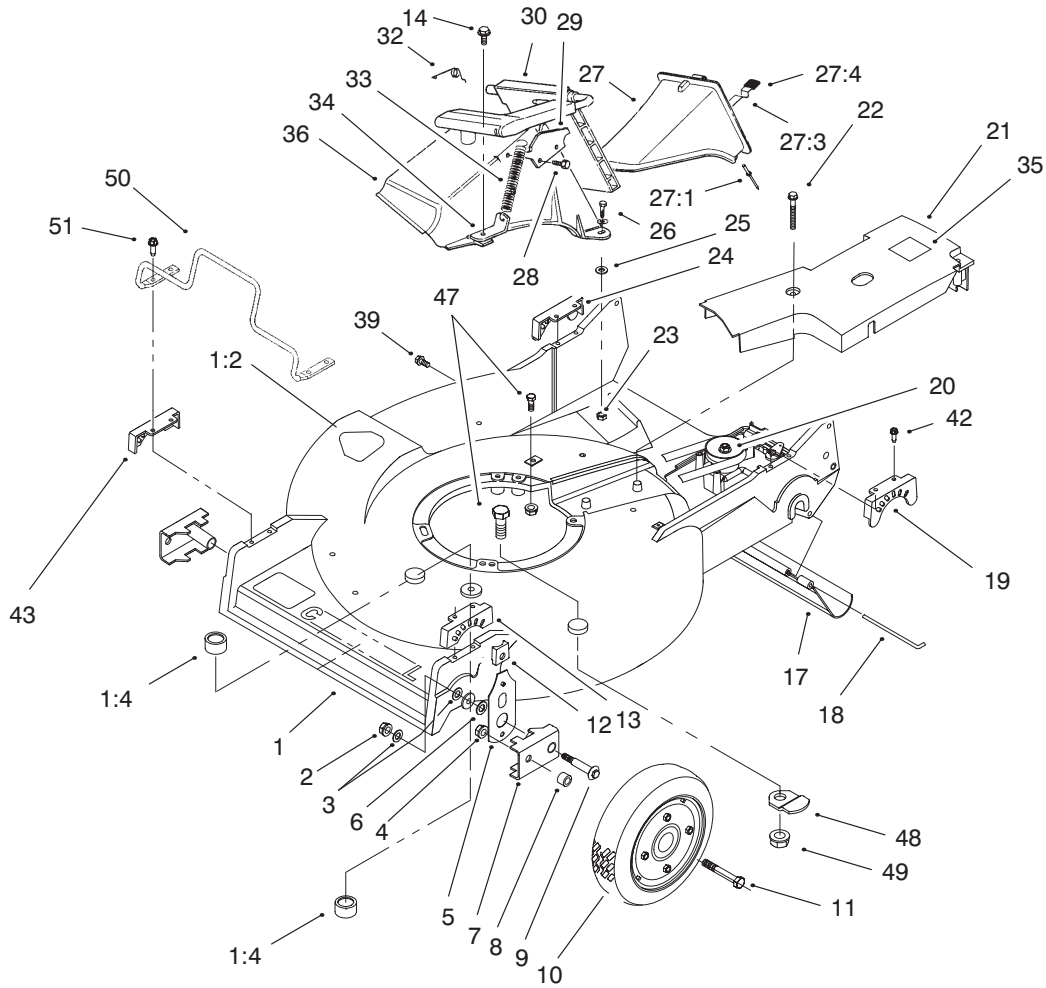
<u>Description</u> .....	<u>Page</u>
Housing Assembly .....	3
Wheel & Tire Assembly No. 53–7720 .....	4
Gear Case Assembly No. 74–1861 .....	5
Engine & BBC Assembly .....	6
Handle Assembly .....	7
Panel and Controls Assembly .....	8
Rear Axle Assembly .....	9
Wheel & Tire Assembly No. 74–1720 .....	10
Grass Bag Assembly No. 77–5204 .....	11

### **Service Assemblies**

Parts within service assemblies have reference numbers in the form X:Y. X is the reference number of the service assembly and Y is a sequential number unique to each part within the service assembly.

For example, a wheel assembly might be identified by reference number 6, the tire by 6:1, the valve by 6:2, and the wheel by 6:3. When you order the assembly identified by reference number 6, you receive all parts identified by reference numbers 6:1, 6:2, and 6:3. However, you may also order any part individually.

Reference numbers of this type appear in part lists and as callouts in illustrations.

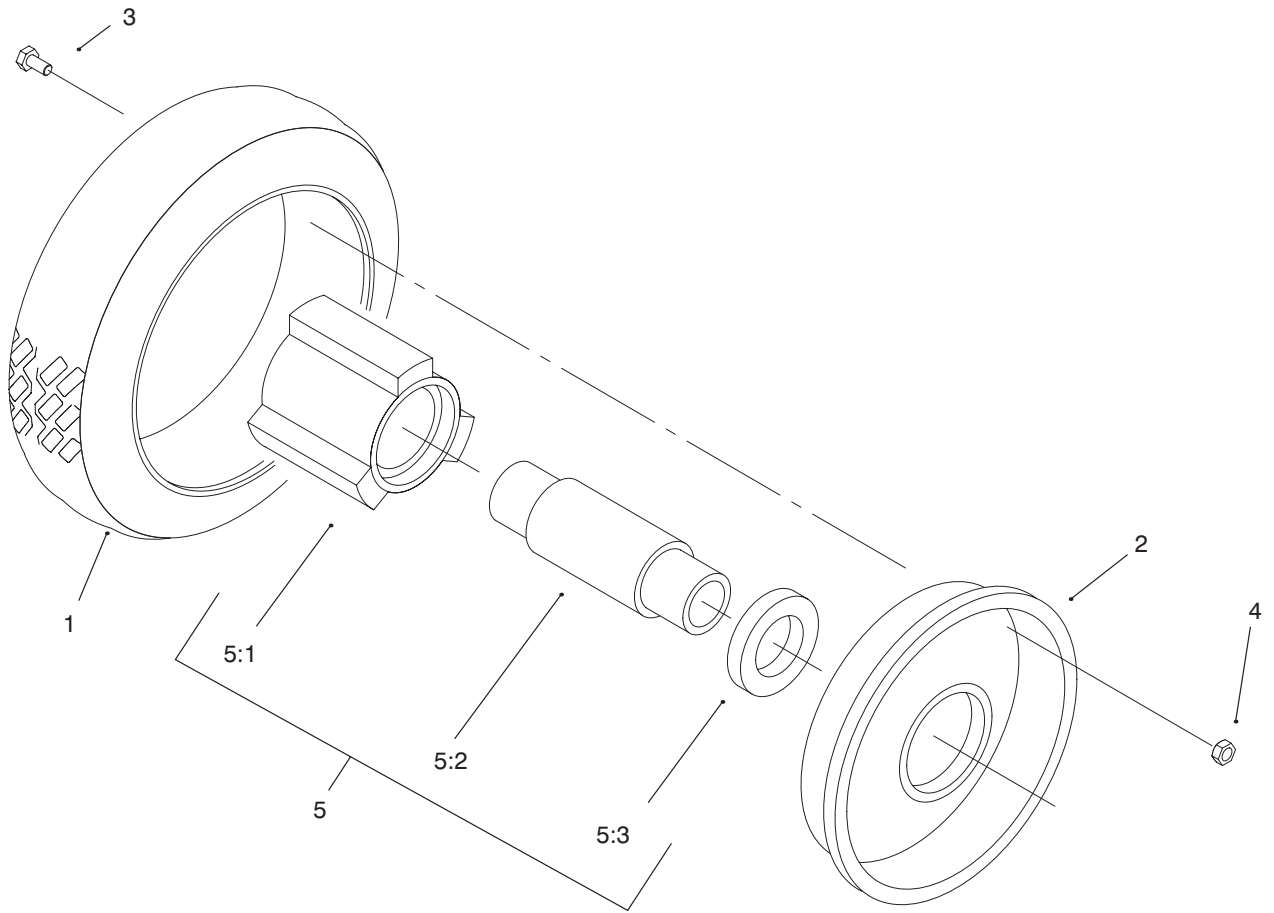


Sheet No.:2  
C-2932

## Housing Assembly

Ref. No.	Part No.	Qty.	Description
1	100-3288	1	Housing ASM
1:2	43-8480	1	Decal-Danger
1:4	68-9780	2	Bearing
2	3296-6	2	Nut-Lock, NI
3	40-1940	4	Washer-Bolt, Wheel
4	32152-2	2	Nut-Conelock
5	66-7560	2	Front Spring Arm ASM
6	257-3	2	Washer-Thrust
7	61-8300	2	Arm-Pivot, Front
8	52-2480	2	Spacer-Wheel
9	27-6232	2	Bolt-Wheel
10	53-7720	2	Wheel & Tire ASM
11	323-12	2	Screw-HH
12	25-7740	2	Knob-Arm
13	49-8760	1	Quadrant-Front, LH
14	46-6811	1	Screw & Washer ASM
17	44-0580	1	Shield-Trailing
18	33-3208	1	Rod-Shield
19	49-8740	1	Quadrant-Rear, LH
20	74-1861	1	Gear Case ASM
21	99-6298	1	Cover-Belt
22	37-7260	2	Screw-HH
23	3296-42	2	Nut-Lock
24	49-8750	1	Quadrant-Rear, RH
25	3256-22	2	Washer-Flat
26	321-7	2	Screw-HH

Ref. No.	Part No.	Qty.	Description
27	77-0500	1	Discharge Plug ASM
27:1	3295-35	1	Rivet-Head, Flat
27:3	76-4640	1	Latch-Plug, Discharge
27:4	76-4650	1	Grip-Latch
28	46-8090	2	Screw-Plastite
29	93-3154	1	Latch-Plate
30	93-7351	1	Discharge Door ASM
32	80-3770	1	Retainer-Door
33	76-4660	1	Spring-Door
34	71-9350	1	Bracket-Spring
35	52-2620	1	Label-Grease
36	82-9152	1	Tunnel-Discharge
39	46-6810	1	Screw & Washer ASM
42	49-2040	4	Screw-Taptite
43	49-8770	1	Quadrant-Front, RH
47	323-6	3	Screw-HH
48	84-8930	2	Shield-Retainer
49	3296-39	3	Nut-Lock, NI
50	99-6722	1	Guard-Engine
51	32144-86	4	Screw-HH

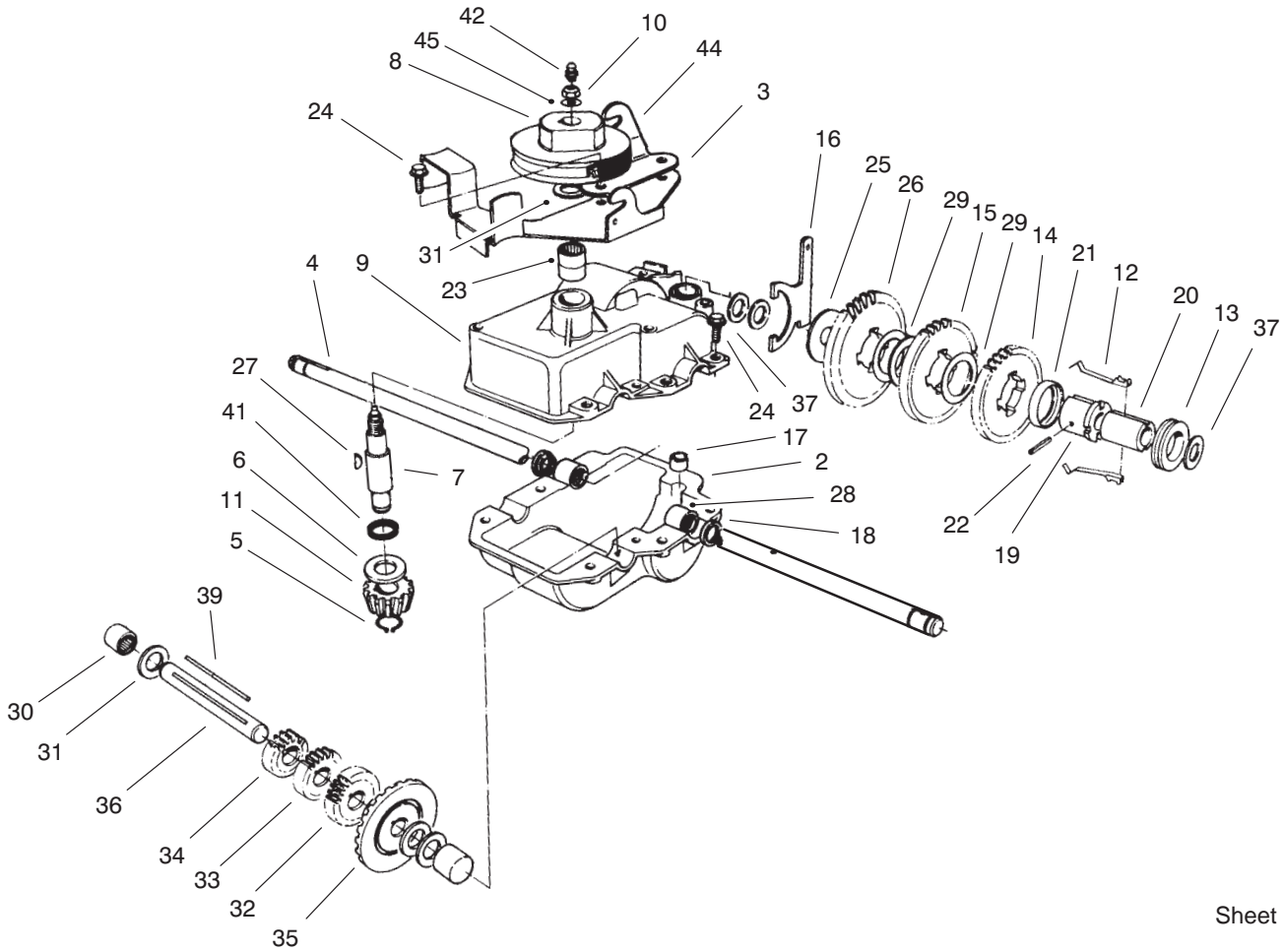


Sheet No.:A1

## Wheel and Tire Assembly No. 53-7720

Ref. No.	Part No.	Qty.	Description
1	53-7740	1	Tire
2	53-7780-06	2	Plate-Wheel, Half
3	321-2	4	Screw-HH
4	3296-42	4	Nut-Lock
5		1	Hub & Bearing ASM
5:1	52-2410	1	Hub-Bearing
5:2	52-2440	1	Spacer-Bearing
5:3	52-2450	2	Bearing-Wheel

Ref. No.	Part No.	Qty.	Description



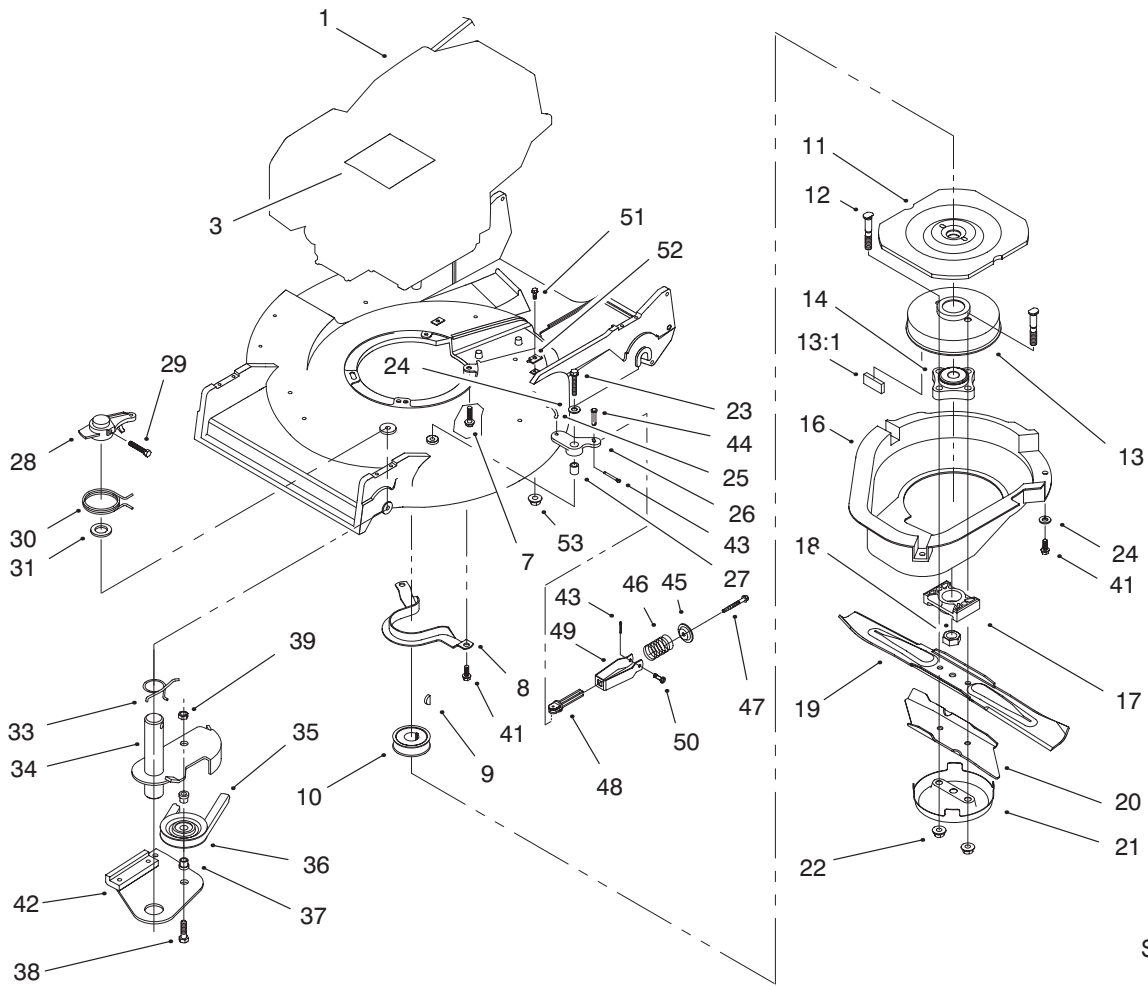
Sheet No.:A2

## Gearcase Assembly No. 74-1861

Ref. No.	Part No.	Qty.	Description
2	74-1920	1	Case-Gear, Lower
3	49-8461-03	1	Bracket-Guide, Belt
4	74-1890	1	Shaft-Output
5	32151-57	1	Ring-Retaining
6	47-2910	1	Washer-Thrust
7	68-8190	1	Shaft-Input
8	39-6740	1	Pulley
9	74-1880	1	Case-Gear, Upper
10	3296-5	1	Nut-Lock, NI
11	39-6660	1	Pinion-Bevel
12	29-9330	2	Key
13	29-9340	1	Collar-Shift
14	42-4740	1	Gear-38 Tooth
15	29-9271	1	Gear-42 Tooth
16	60-8870	1	Yoke-Shift
17	29-9570	1	Bushing-Yoke
18	47-6730	2	Seal-Oil
19	55-8010	1	Sleeve-Gear
20	39-6720	1	Sleeve
21	55-8020	1	Retainer-Key
22	3285-19	1	Pin-Groove
23	47-7270	2	Bearing
24	49-2040	6	Screw-Taptite
25	29-9690	1	Washer
26	46-3560	1	Gear
27	3257-1	2	Key-Woodruff

Ref. No.	Part No.	Qty.	Description
28	48-2060	2	Bearing-Roller
29	36-4770	3	Washer
30	252-103	2	Bearing-Closed
31	36-4792	4	Washer-Thrust
32	39-6650	1	Gear-18t
33	46-3550	1	Gear-14 Tooth
34	46-3540	1	Gear-12 Tooth
35	74-1760	1	Gear-Bevel
36	53-7950	1	Shaft-Intermediate
37	36-4780	3	Washer
39	39-7842	1	Key
41	47-7260	1	Seal
42	302-63	1	Zerk
44	74-1750-03	1	Brake-Engage, Traction
45	3256-45	1	Washer-Flat





Sheet No.:3  
C-2933

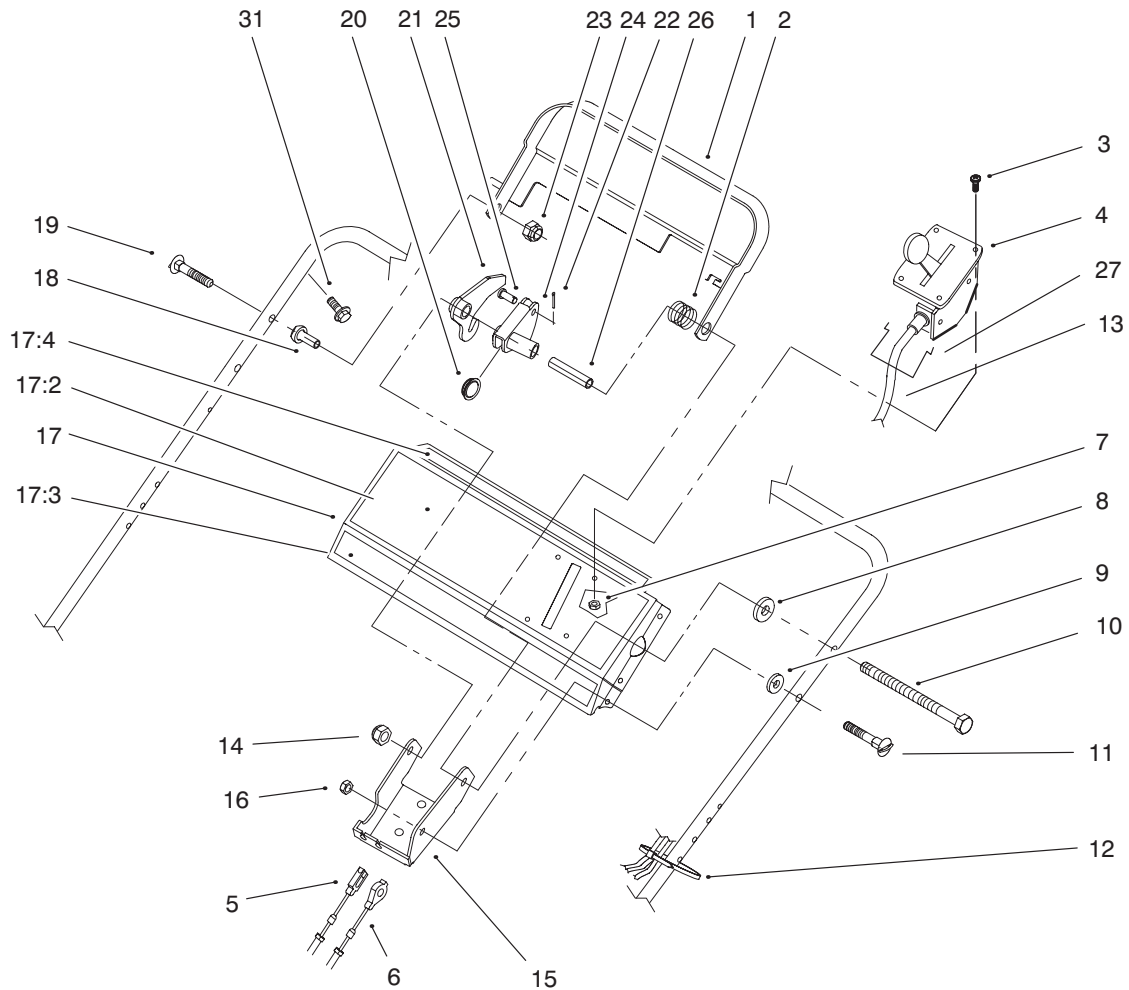
## Engine and BBC Assembly

Ref. No.	Part No.	Qty.	Description
1		1	Engine-Kawasaki FC150V ES-33
3	213387	1	Decal-Recoil
7	100-2835	3	Screw-Mount, Engine
8	66-0570-03	1	Bracket-Guide, Belt
9	3257-17	1	Key-Hi-Pro
10	56-6180	1	Driver-Pulley
11	56-6160	1	Flywheel
12	42-3190	2	Bolt-Blade
13	94-9431	1	Brake Drum ASM
13:1	52-3480	2	Dampner-Vibration
14	42-6890	1	Hub ASM
16	46-5693	1	Shield
17	62-4280	1	Spacer-Blade
18	3296-33	1	Nut-Lock NI
19	42-1000-03	1	Blade
20	91-2255-03	1	Stiffener-Blade
21	80-2770	1	Cup-Anti-Scalp
22	54-9190	2	Nut-Lock
23	32104-107	1	Screw-HH
24	3256-23	2	Washer- Flat
25	49-2810	1	Link - Control
26	49-7960	1	Bellcrank
27	49-7950	1	Sleeve-Bellcrank
28	49-2820	1	Lever
29	32104-96	1	Screw-HH

Ref. No.	Part No.	Qty.	Description
30	49-7970	1	Spring-Torsion
31	70-1160	1	Washer
33	85-6880	1	Spring-Torsion
34	84-9130	1	Plate-Brake
35	100-6486	1	V-Belt
36	46-5650	1	Pulley-Idler
37	46-5631	2	Hub-Pulley, Idler
38	322-6	1	Screw-HH
39	3296-47	1	Nut-Lock, NI
41	32144-70	3	Screw-HH
42	84-9180	1	Brake Plate ASM
43	3272-1	2	Pin-Cotter
44	84-9050	1	Pin-Spring
45	65-5280	1	Retainer-Spring
46	84-9100	1	Spring
47	46-7040	1	Screw-Forming, Thread
48	84-8870	1	Guide-Spring
49	84-8880-03	1	Bracket-Spring
50	84-9040	1	Pin-Cable
51	322-6	1	Screw-HH
52	62-3720	1	Cable Clamp
53	3296-58	1	Nut-Lock NI







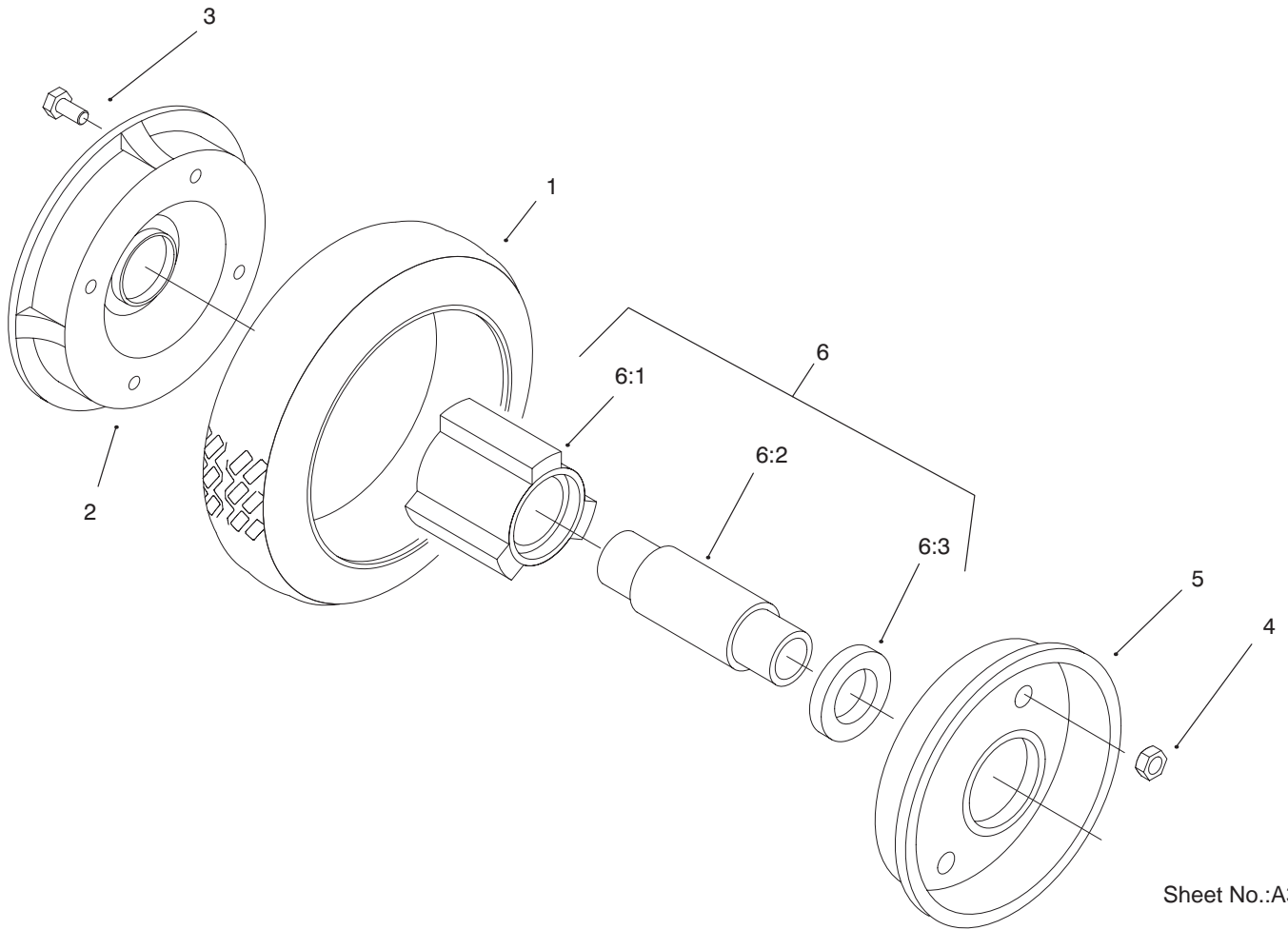
Sheet No.:5  
C-2934

## Panel and Controls Assembly

Ref. No.	Part No.	Qty.	Description
1	84-8940-03	1	Bar-Control
2	85-6750	1	Spring-Control
3	3250-12	4	Screw-PPH
4	85-6770	1	Control-Throttle
5	84-9120	1	Cable-Traction
6	84-9110	1	Cable-Clutch
7	3296-2	4	Nut-Lock
8	71-9310	1	Spacer
9	71-9320	1	Spacer
10	322-19	1	Screw-HH
11	46-6430	1	Screw-Handle
12	3290-378	1	Tie-Cable
13	100-2839	1	Cable-Throttle
14	3296-29	1	Nut-Lock, NI
15	92-1778-03	1	Bracket-Control
16	3296-42	1	Nut-Lock
17	100-6481	1	Control Panel ASM
17:2	100-3282	1	Decal-Control Panel
17:3	213400	1	Decal-Console
17:4	63-9060	1	Decal-Danger
18	49-1631	1	Spacer-Support
19	17-9427	1	Screw
20	86-9320	1	Bushing-Flange
21	84-9000	1	Traction Lever
22	3272-1	1	Pin-Cotter
23	3296-58	1	Nut-Lock NI

Ref. No.	Part No.	Qty.	Description
24	84-8990	1	Lever-BBC
25	84-9040	1	Pin-Cable
26	84-9030	1	Spacer-Bracket, Control
27	85-6780	1	Retainer-Cable, Throttle
31	32104-76	6	Screw-Slot, Acorn



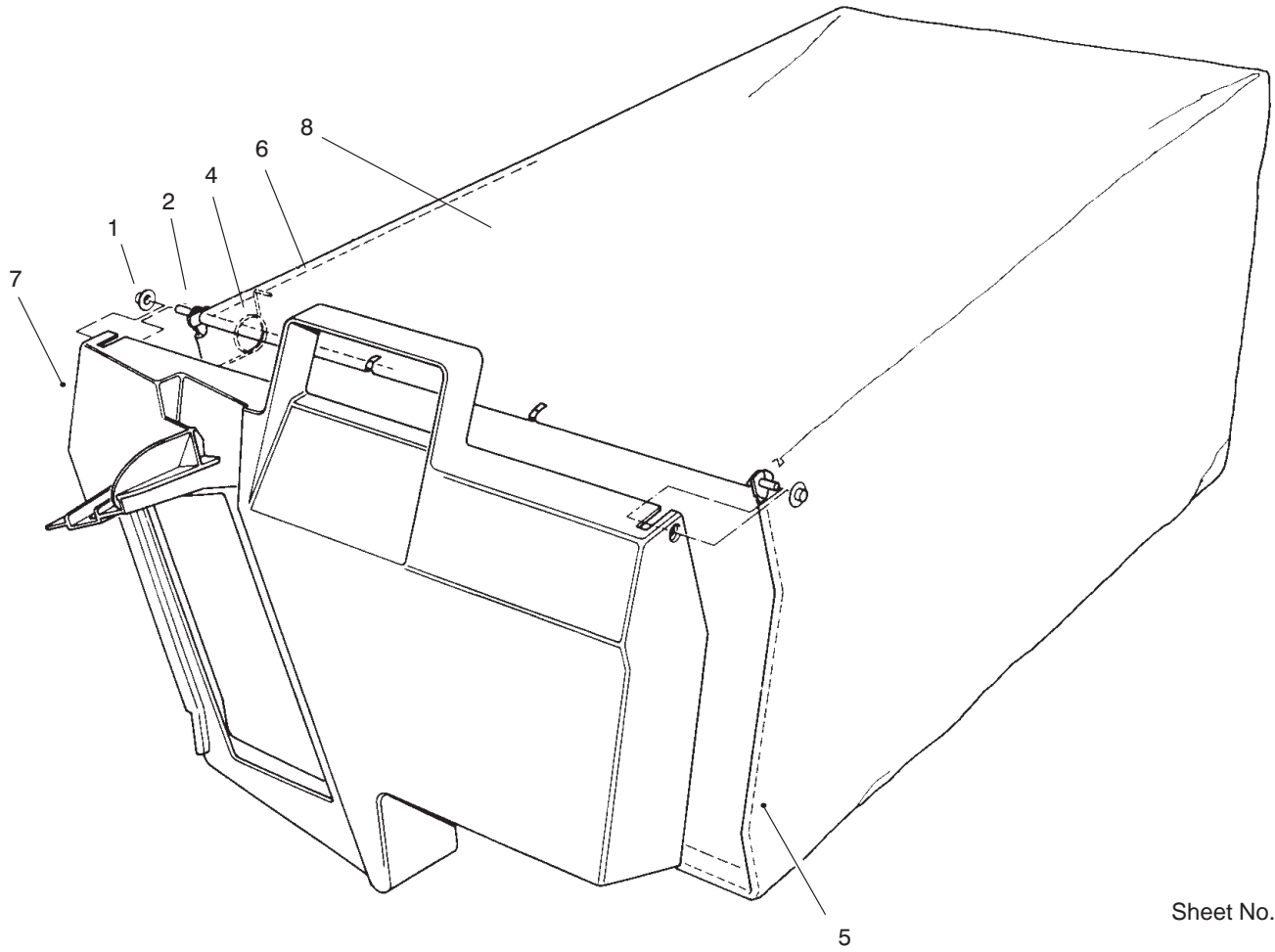


Sheet No.:A3

## Wheel and Tire Assembly No. 74-1720

Ref. No.	Part No.	Qty.	Description
1	53-7740	1	Tire
2	53-7780-06	1	Plate-Wheel, Half
3	321-2	4	Screw-HH
4	3296-42	4	Nut-Lock
5	92-4957-06	1	Wheel Half/Gear ASM
6		1	Hub & Bearing ASM
6:1	52-2410	1	Hub-Bearing
6:2	52-2440	1	Spacer-Bearing
6:3	52-2450	2	Bearing-Wheel

Ref. No.	Part No.	Qty.	Description



Sheet No.:A4

### Grass Bag Assembly No. 100-2886

Ref. No.	Part No.	Qty.	Description
1	3290-422	2	Nut-Push
2	33-4820	1	Hinge-Door, Bag
4	36-6910	2	Spring
5	42-4020	1	Frame-Bag
6	42-4030	1	Frame-Bag, Upper
7	48-2840	1	Door-Bag, Grass
8	98-8017	1	Bag-Grass

Ref. No.	Part No.	Qty.	Description









**SEE EXMARK'S COMPLETE  
LINE OF PRODUCTS FOR TURF CARE**

**LAZER Z™**

**LAZER Z™ HP**

**TURF RANGER®**

**TURF TRACER®**

**TURF TRACER® HP**

**VIKING HYDRO**

**METRO™**

**METRO™ HP**

**SELF STEERING SULKY**

**GRASS CATCHER**

**MICRO MULCH™ ACCESSORY**

©1997, 1998, 1999  
EXMARK MFG. CO. INC  
INDUSTRIAL PARK BOX 808  
BEATRICE NE. 68310

FORM NO. 3323-454  
(402) 223-6300  
FAX (402)223-6384

PRINTED IN U. S. A.

ALL RIGHTS RESERVED

