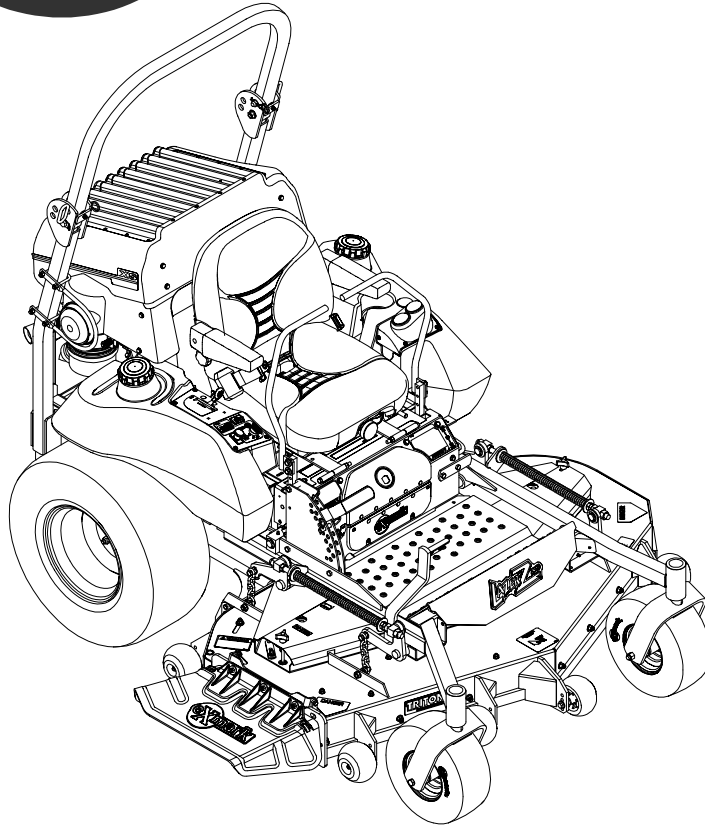


For Serial Nos.
670,000 & Higher



PARTS MANUAL

LAZER Z[®] XS

DIESEL MODELS

CONGRATULATIONS on the purchase of your new Exmark mower. This product has been carefully designed and manufactured to give you a maximum amount of dependability and years of trouble-free operation. If additional information is needed, or should you require trained mechanic service, contact your authorized Exmark equipment dealer or distributor. If you need to order replacement parts from your dealer, always give the model number and serial number of your mower as well as the part number, description and quantity of the part needed.

The Serial No. plate is located on the right side of the console. For ease of ordering and reference, we suggest that you record the information requested in the following identification table.

Place Model No. and Serial No. Label Here (Included in Literature Pack) or Fill in Below
Model No. _____
Serial No. _____

Engine Model No. and Spec. No. (Code) _____

Engine Serial No. (E/No) _____

Date Purchased _____

EXMARK PARTS PLUS® PROGRAM

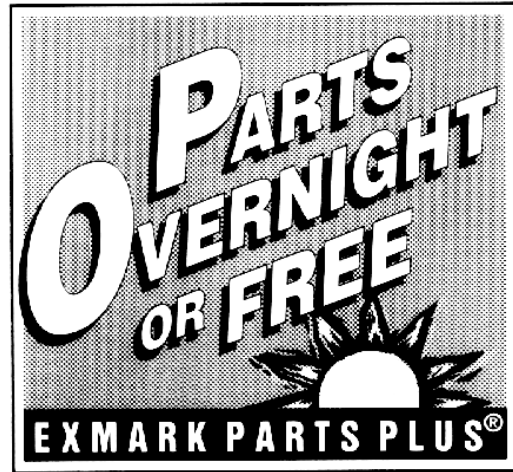
EFFECTIVE DATE: September 1, 1995

Program

If your Exmark dealer does not have the Exmark part in stock, Exmark will get the parts to the dealer the next business day or the part will be FREE* Guaranteed!!

How the Program Works

1. If dealer does not have part in stock for a "down" unit at the time of request by customer, the dealer contacts his distributor by 1:00 p.m., local time, and requests Exmark Parts Plus® shipment of six (6) line items or less.
2. Distributor ships part(s) to dealer or customer, as requested by dealer, same day, overnight UPS. Distributor bills dealer for part and freight charges where applicable.
3. If distributor does not have the part(s) in stock to satisfy Exmark Parts Plus® order, he contacts Exmark by 3:00p.m., central time, with an Exmark Parts Plus® order of six (6) line items or less.
4. If order is received by 3:00 p.m. central time, Exmark ships part(s) direct to dealer or customer, as requested by distributor, same day, overnight UPS, Exmark bills the distributor for parts and shipping charges, where applicable.
5. The customer pays for the part and freight if it is shipped under the Exmark Parts Plus® and if it arrives in accordance to the program.
6. Who pays for the part and freight if it fails to arrive overnight in accordance to the program?
 - A. Under any circumstance the customer does not pay.
 - B. If the part does not arrive overnight due to:
 1. The dealer not submitting the Exmark Parts Plus® order to his Exmark distributor by 1:00 p.m., the dealer pays for the part and freight.
 2. The Distributor being unable to ship the part the same day or not submitting the Exmark Parts Plus® order to Exmark by 3:00 p.m., central time, the Distributor pays for the part and freight.
 3. Exmark being unable to ship the part and the Exmark parts order is received by 3:00 p.m., central time, Exmark pays for the part and freight.
 4. If the part does not arrive overnight due to the shipper (UPS), the shipper pays for the freight and Exmark pays for the part.



The following restrictions apply -- The Exmark Parts Plus® Program is available only through participating Exmark Dealers and applies only to orders submitted on this program Monday through Thursday. Parts Plus service is available only in the 48 contiguous United States. UPS has initiated a Saturday delivery program to many areas of the continental United States and can be requested for an overnight shipment on Friday to be delivered Saturday. The next day air charge, plus the Saturday delivery fee will be the responsibility of the purchaser. Exmark Mfg. will assume no responsibility for Saturday delivery shipments. To qualify, all Exmark Parts Plus® orders must be received by Exmark by 3:00 p.m., central time. Orders must be six (6) line items or less. Exclusions from the Exmark Parts Plus® Program are: Any wholegood or accessory in its entirety, engines and engine replacement parts, 5-speed Peerless transmissions and 5-speed transaxles, hydraulic or hydrostatic wheel motors, cutter decks and engine decks or any item exceeding United Parcel Service size and weight restrictions.

Due to UPS restrictions, aerosol spray paint is considered a hazardous material and cannot be shipped via UPS next day or Second Day Air.

Exmark Manufacturing stocks a limited supply of parts for transaxles, pumps and wheel motors. These parts can be ordered for Next Day Air shipment but will not be guaranteed per the Parts Plus Program



**READ OPERATOR'S MANUAL BEFORE
OPERATING OR SERVICING EXMARK EQUIPMENT.**

TABLE OF CONTENTS

<u>Description</u>	<u>Page</u>
Cooling Group	19-20
Deck Group	3-5
Decal Group	23-24
Electrical Diagram	26
Electrical Group	25
Electrical Logic Schematic.....	27
Engine Group	15-16
Engine Deck Group	17
Front Frame Group	7-8
Fuel Group.....	11-12
Hood and Panel Group	18
Hydraulic Group.....	21-22
Main Frame Group.....	9-10
Motion Control Group	14
Park Brake Group.....	13
Spindle Assembly	6

DECK GROUP

Item	Part No.	Description	Qty.
1	1-303334	Washer, Spring Disk 5/16	1
2	1-303537	Stud, Belt Shield	2
3	1-322110	Wld, Belt Guide.....	1
4	1-323385	Knob	2
5	1-323417	Washer, Belt Shield	2
6	1-603805	Sheave, Idler.....	1
7	1-633109	Sheave, Flat Idler.....	2
8	1-633456	Bushing, Idler.....	2
9	98-5961	Screw, HH 3/8-16 x 4 Gr8	1
10	98-5975	Washer, Spring Disk 3/8	3
11	103-2916	Guard, Top.....	1
12	103-3330	Spring	1
13	103-3504	Bearing, Spherical.....	2
14	103-3505	Seal, Double Lip.....	1
15	103-3506	Seal, Single Lip.....	1
16	103-5677	Spacer	1
17	103-8103-01	Latch, Belt Shield.....	2
18	109-2097	Asm, Shield W/Decal 60" RH.....	1
	109-2133	Asm, Shield W/Decal 66" RH.....	1
	109-2135	Asm, Shield W/Decal 72" RH.....	1
19	109-2096	Asm, Shield W/Decal 60" LH	1
	109-2132	Asm, Shield W/Decal 66" LH	1
	109-2134	Asm, Shield W/Decal 72" LH	1
20	105-7699	Strip-Seal, 3"	4
21	106-7159	O-Ring	2

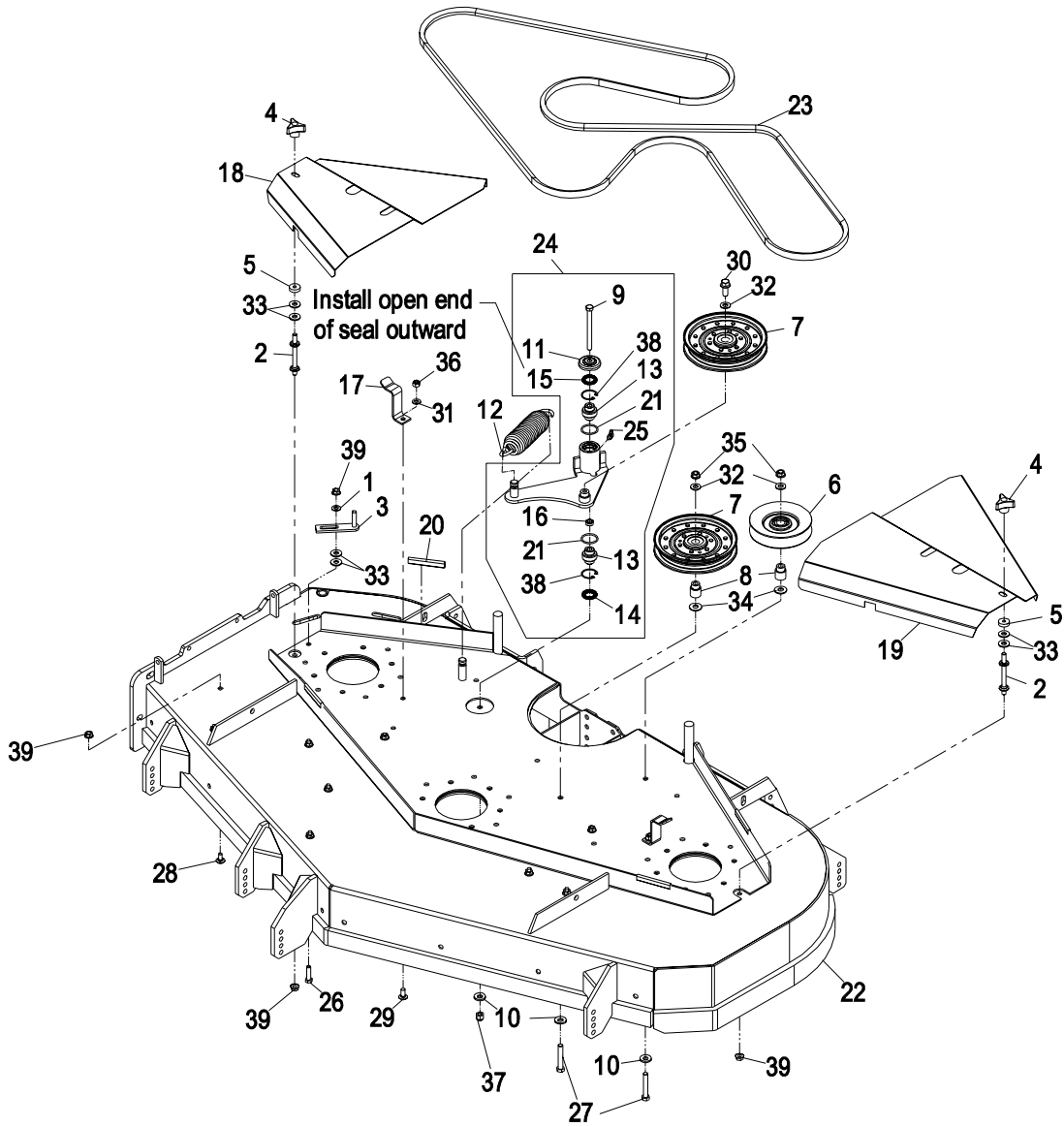
Item	Part No.	Description	Qty.
22	109-2100	Asm, Deck W/Decals 60"	1
	109-2103	Asm, Deck W/Decals 66"	1
	109-2105	Asm, Deck W/Decals 72"	1
23	1-633127	Belt 60"	1
	109-5018	Belt 66"	1
	1-643052	Belt 72"	1
24*	109-2095	Kit, Idler Arm W/Bearings	1
25	302-40	Zerk, 90° 1/4-28.....	1
26	322-6	Screw, HH 5/16-18 x 1 1/4.....	1
27	323-11	Screw, HH 3/8-16 x 2 1/4.....	2
28	3230-18	Bolt, Carriage 5/16-18 x 5/8	9
29	3230-22	Bolt, Carriage 5/16-18 x 1 Sp.....	2
30	3234-11	Screw, HH FLG 3/8-16 x 1	1
31	3256-23	Washer, 5/16 SAE	2
32	3256-24	Washer, 3/8 SAE	3
33	3256-3	Washer, 5/16 Std.....	6
34	3256-4	Washer, 3/8 Std.....	2
35	3290-357	Nut, Whizlock 3/8-16	2
36	3296-29	Nut, Nyloc 5/16-18	2
37	3296-39	Nut, Nyloc 3/8-16	1
38	32120-10	Ring, Retaining	2
39	32128-20	Nut, Whizlock 5/16-18	12
40▲	109-2380	Asm, Deck Complete 60"	1
	109-2381	Asm, Deck Complete 66"	1
	109-2382	Asm, Deck Complete 72"	1

Exmark red touch up paint (spray paint - P/N 1-850337 - .6 oz liquid bottle - P/N 103-9140).

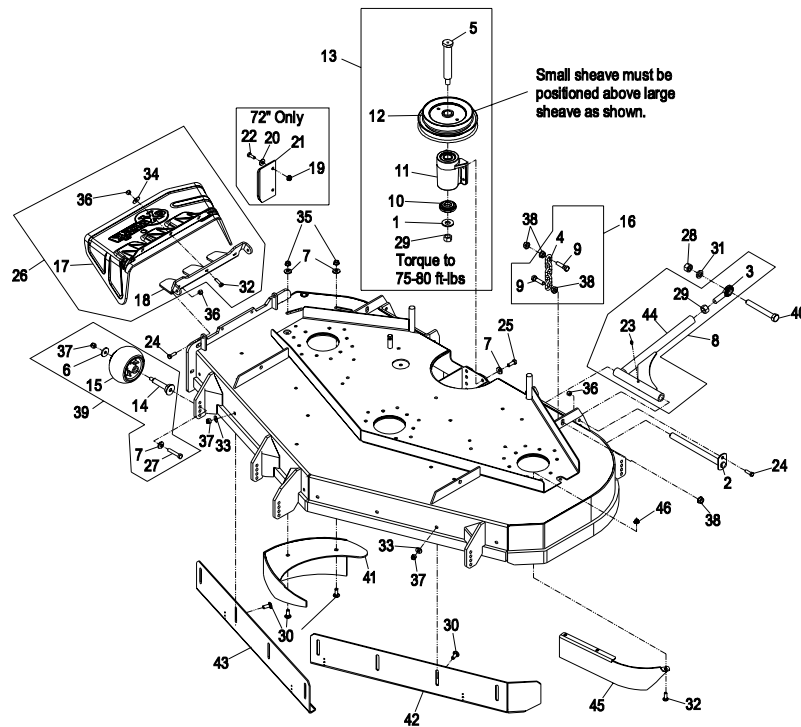
▲ Complete deck assembly includes all items from pages 3 – 6 except items (#8, #16, #28, #31,#38, and #40 from page 5) and includes mule drive belt from page 15.

* Kit also includes items #10 & #37.

DECK GROUP



DECK GROUP (cont.)



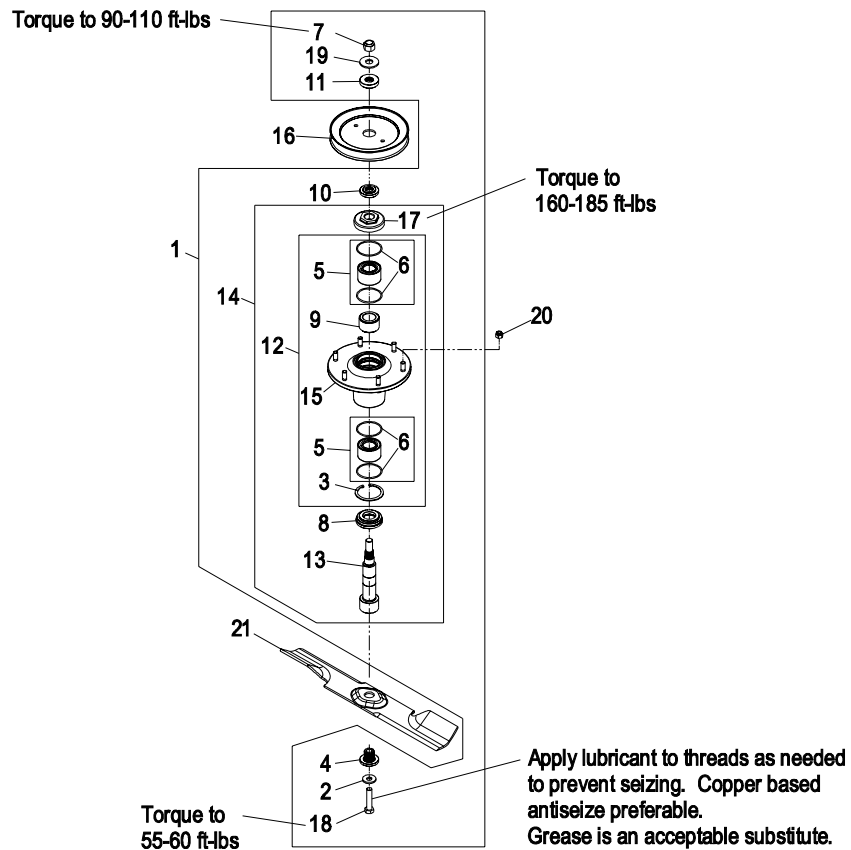
Item	Part No.	Description	Qty.
1	1-513208	Washer, Spring Disk 5/8	1
2	1-632199-01	Wld, Pin Deck Strut	2
3	1-633029	Balljoint	2
4	1-633447	Chain, Deck Lift	4
5●	1-643393	Jackshaft, Lazer	1
6	63-8410	Washer	6
7	98-5975	Washer, Spring Disk 3/8	12
8	103-8543	Asm, Strut 60"	2
	103-8544	Asm, Strut 66" & 72"	2
9	103-1898	Screw, HH 7/16-20 x 1-5/8 Sp	8
10	103-2535	Spacer, Guard Bottom	1
11●	103-9746	Asm, Jackshaft Housing	1
12●	103-3046	Sheave, Jack Shaft- Double	1
13	103-3249	Asm, Jackshaft	1
14	103-5364	Axle, Anti-Scalp Roller	6
15	103-8415	Roller, Anti-Scalp	6
16	103-9792	Asm, Chain Deck	4
17	109-2739	Chute, Discharge LZ	1
18	109-0498-01	Hinge, Grass Discharge	1
19	32128-20	Nut, Whizlock 5/16-18 72"	2
20	3256-3	Washer, 5/16 Std 72"	2
21	103-9423-01	Deflector, Discharge 72"	1
22	322-4	Screw, HH 5/16-18 x 7/8 72"	2
23	302-19	Zerk, 1/4-28 Str	4
24	322-5	Screw, HH 5/16-18 x 1	4
25	323-6	Screw, HH 3/8-16 x 1	4
26	109-2099	Asm, Discharge Chute	1
27	3211-46	Screw, HH 3/8-24 x 2 Gr8	6

Item	Part No.	Description	Qty.
28	3217-11	Nut, Hex 5/8-11	2
29	3219-6	Nut, Hex 5/8-18	3
30	3231-22	Bolt, Carriage 3/8-16 x 1	10
31	3253-8	Washer, Lock 5/8	2
32	3230-22	Bolt, Carriage 5/16-18 x 1	6
33	3256-24	Washer, 3/8 SAE	8
34	3256-82	Washer	3
35	3290-357	Nut, Whizlock 3/8-16	2
36	3296-29	Nut, Nyloc 5/16-18	7
37	3296-39	Nut, Nyloc 3/8-16	14
38	32128-37	Nut, Whizlock 7/16-14	16
39	109-2098	Kit, Anti-Scalp Roller	6
40	327-28	Screw, HH 5/8-11 x 5 1/2	2
41	109-0694-01	Wld, Dogleg 60"	1
	109-0821-01	Wld, Dogleg 66"	1
	109-1039-01	Wld, Dogleg 72"	1
42	109-0701-01	Wld, Baffle Front Adj LH 60"	1
	109-0822-01	Wld, Baffle Front Adj LH 66"	1
	109-1044-01	Wld, Baffle Front Adj LH 72"	1
43	109-0704-01	Wld, Baffle Front Adj RH 60"	1
	109-0823-01	Wld, Baffle Front Adj RH 66"	1
	109-1047-01	Wld, Baffle Front Adj RH 72"	1
44	103-1355-01	Wld, Deck Strut-Std 60"	2
	103-0100-01	Wld, Deck Strut-Std 66" & 72"	2
45	109-5424-01	Baffle, Scroll 60"	1
	109-5531-01	Baffle, Scroll 66"	1
	109-5532-01	Baffle, Scroll 72"	1
46	104-8300	Nut, Nyloc 5/16-18 Flg	3

Exmark red touch up paint (spray paint - P/N 1-850337 - .6 oz liquid bottle - P/N 103-9140).

- Apply Mobil HTS grease (P/N 103-5217 1.5 oz packet) (or a food-grade antisieze) between the jackshaft and bearings and jackshaft and sheaves. DO NOT use a copper or nickel based antisieze.

SPINDLE ASSEMBLY



Item	Part No.	Description	Qty.
1	109-2102	Asm, Cutter Housing Complete.....	3
2	1-513435	Washer, Spring Disk 1/2	3
3	92-5581	Retaining Ring, Internal.....	3
4	103-3037	Bushing, Splined	3
5	109-2064	Asm, Bearing W/O-Rings.....	6
6	103-5895	O-Ring	12
7	3296-41	Nut, Nyloc 5/16-18	3
8	103-9504	Guard, Bottom	3
9	103-9506	Spacer, Bearing	3
10	103-9522	Spacer, Splined Stepped	3
11	103-9523	Spacer, Splined	3
12	103-9539	Asm, Cutter Housing.....	3
13●	103-9540	Spindle, Double Spline.....	3
14	103-9541	Asm, Spindle Housing.....	3
15	109-0764	Asm, Housing W/Studs.....	3
16	109-1023	Sheave, Blade Drive 60"	3
	109-0914	Sheave, Blade Drive 66"	3
	109-0929	Sheave, Blade Drive 72"	3
17	109-1058	Nut, Spindle 7/8-14	3
18	3213-6	Screw, HH 1/2-20 x 2 1/4	3
19	3256-7	Washer, 5/8 Std.....	3
20	3296-39	Nut, Nyloc 3/8-16	18

Item	Part No.	Description	Qty.
21	103-8240	Blade, Low Lift 60"	3
	103-8396	Blade, Medium Lift 60"	3
	103-8239	Blade, High Lift Solid 60"	3
	103-8244	Blade, High Lift Notched 60"	3
	103-8432	Blade, High Lift Ls 60"	3
	103-8431	Blade, High Lift Ls Solid 60"	3
■	103-8107	Blade, Mulch 60"	3
	103-9616	Blade, Low Lift 66"	3
	103-9619	Blade, Medium Lift 66"	3
	103-9617	Blade, High Lift Solid 66"	3
	103-9618	Blade, High Lift Notched 66"	3
	103-9620	Blade, High Lift Ls 66"	3
	103-9621	Blade, High Lift Ls Solid 66"	3
■	103-9612	Blade, Mulch 66"	3
	103-9622	Blade, Low Lift 72"	3
	103-9625	Blade, Medium Lift 72"	3
	103-9623	Blade, High Lift Solid 72"	3
	103-9624	Blade, High Lift Notched 72"	3
	103-9626	Blade, High Lift Ls 72"	3
	103-9627	Blade, High Lift Ls Solid 72"	3
■	103-9613	Blade, Mulch 72"	3

Exmark red touch up paint (spray paint - P/N 1-850337 - .6 oz liquid bottle - P/N 103-9140).

- Requires installation of Micro-Mulch accessory for proper mulching. Mulch kit P/N MK605 (60"), MK665 (66"), and MK725 (72").
- Apply Mobil HTS grease (P/N 103-5217 1.5 oz packet) (or a food-grade anti-seize) between the spindles and bearings. DO NOT use a copper or nickel based anti-seize.

FRONT FRAME GROUP

Item	Part No.	Description	Qty.
1▲	109-2072	Asm, Front Frame (60")	1
▲	109-2073	Asm, Front Frame (66")	1
▲	109-2074	Asm, Front Frame (72")	1
2	302-19	Zerk, 1/4-28 Straight	5
3	109-1903	Asm, Floorpan (103-8274-01) W/Decals	1
4	1-543509	Bearing Cone, Tapered Roller.....	4
5	103-2084	Asm, Lever (103-2083-03)W/Grip	1
6	1-633295	Grip, Lift Lever	1
7	103-9529-03	Arm Wldmt, Deck Lift	1
8	1-633325	Spring, Compression	1
9	3256-24	Washer, 3/8 SAE Flat	1
10	3296-39	Nut, Nyloc 3/8-16	4
11	32151-103	E-Ring.....	5
12	1-633068	Arm, Deck Lift	2
13	1-633889-01	Plate, Deck Lift.....	1
14	1-632899-01	Wld, Deck Lift Plate	1
15	1-633082	Bushing, Lift Lever	1
16	109-3193	Stop, Deck Height	1
17	323-13	Screw, 3/8-16 x 2 3/4	1
18	1-633097	Hitch Pin W/Lanyard	1
19	1-806005	Hairpin Cotter.....	1
20	323-9	Screw, 3/8-16 x 1 3/4	2
21	98-5975	Washer, 3/8 Disc Spring	12
22	3290-357	Nut, Whizlock 3/8-16.....	15
23	323-6	Screw, 3/8-16 x 1	1
24	323-7	Screw, 3/8-16x1 1/4	12
25	3256-29	Washer, 7/8 SAE Flat	4
26	1-633096	Rod, Deck Lift	2
27	3217-11	Nut, 5/8-11 Regular.....	6
28	1-633441	Swivel, Deck Mount	4

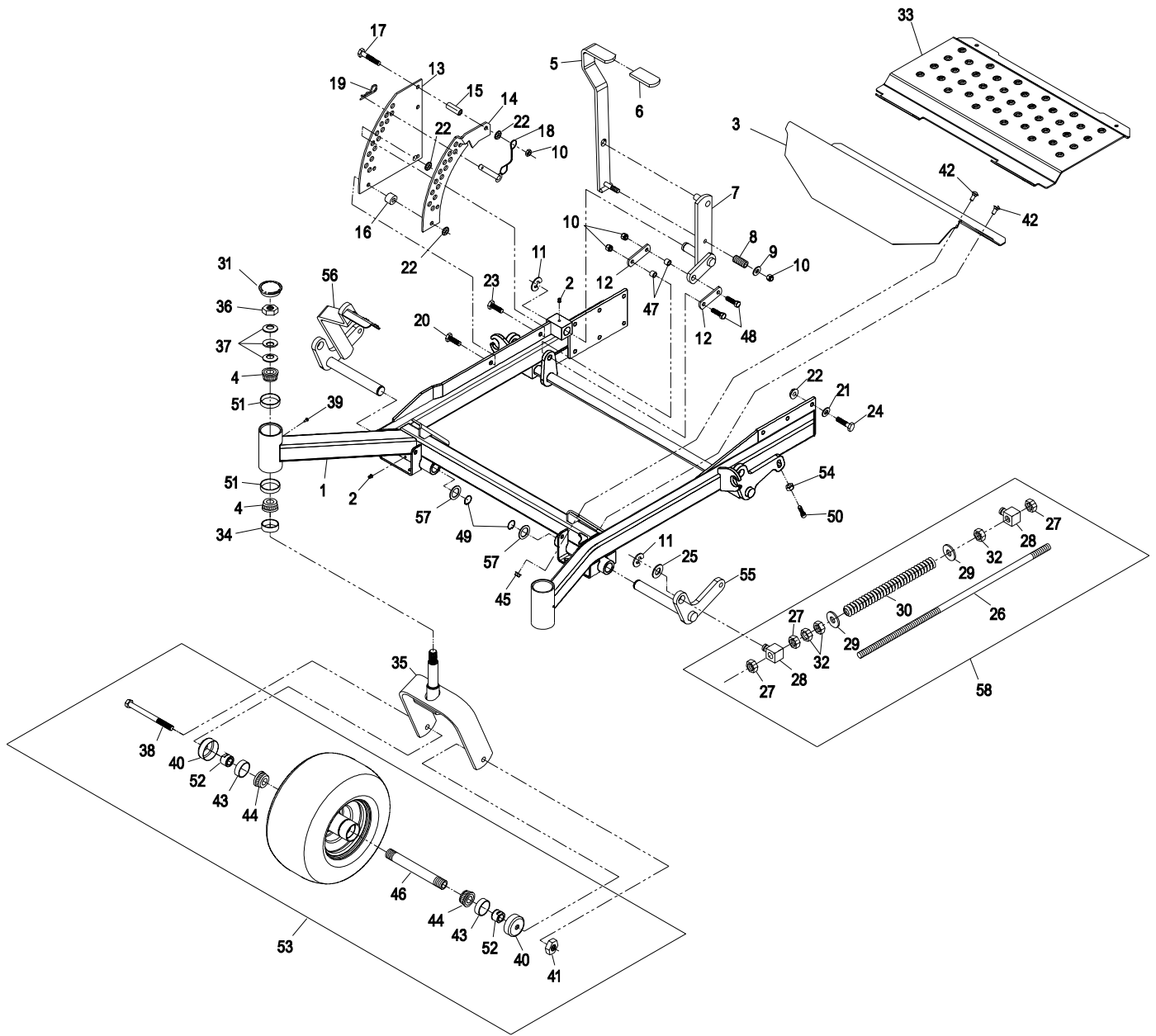
Item	Part No.	Description	Qty.
29	3256-7	Washer, 5/8 Std Flat.....	4
30	109-4963	Spring, Deck Support.....	2
31	103-4882	Cap, Grease	2
32	3218-6	Jam Nut, 5/8-11	6
33	109-1902	Asm, Floorpan, Liftout (103-8276-01) W/Decal.....	1
34	1-543511	Seal, Grease.....	2
35	103-1474-01	Caster Wldmt.....	2
36	3296-51	Nut, 3/4-10 Nyloc.....	2
37	1-633508	Washer, Spring Disk.....	6
38	325-39	Screw, 1/2-13 x 9 1/2.....	2
39	1-811010	Plug.....	2
40	103-2768	Guard, Seal	4
41	3296-23	Nut, 1/2-13 Nyloc.....	2
42	3230-1	Bolt, Carriage 5/16-18 x 3/4	4
43	103-0063	Seal, Bearing	4
44	1-633585	Bearing Cone.....	4
45	32128-20	Nut, Whizlock 5/16-18	4
46	103-5156	Axle, Caster	2
47	103-1918	Bushing	2
48	323-29	Screw, 3/8-16 x 1 3/8.....	2
49	32151-29	Ring, Retaining	2
50	3274-18	Screw, Socket HD5/16-18x1 1/4	2
51	1-543508	Bearing Cup, Tapered Roller	4
52+	103-3051	Spacer, Nut	4
53	103-3799	Asm, Caster Wheel (Semi-Pneumatic) ..	2
54	3218-2	Jam Nut, 5/16-18	2
55	103-9741-01	Weldmt, Front Lift Shaft (LH).....	1
56	103-9740-01	Weldmt, Front Lift W/Lever(RH)	1
57	1-523157	Washer, Spacer.....	2
58	109-4995	Asm, Front Frame Spring	2

Exmark red touch up paint (spray paint - P/N 1-850337 - .6 oz liquid bottle - P/N 103-9140).

✚ Use Pro-Lock, Nut Type (P/N 1-840022, .5ml tube) on spacer nut, Item #52.

▲ Includes frame weldment plus items #2, #31, #34, #39, #49, #51, #55, #56 and #57.

FRONT FRAME GROUP



MAIN FRAME GROUP

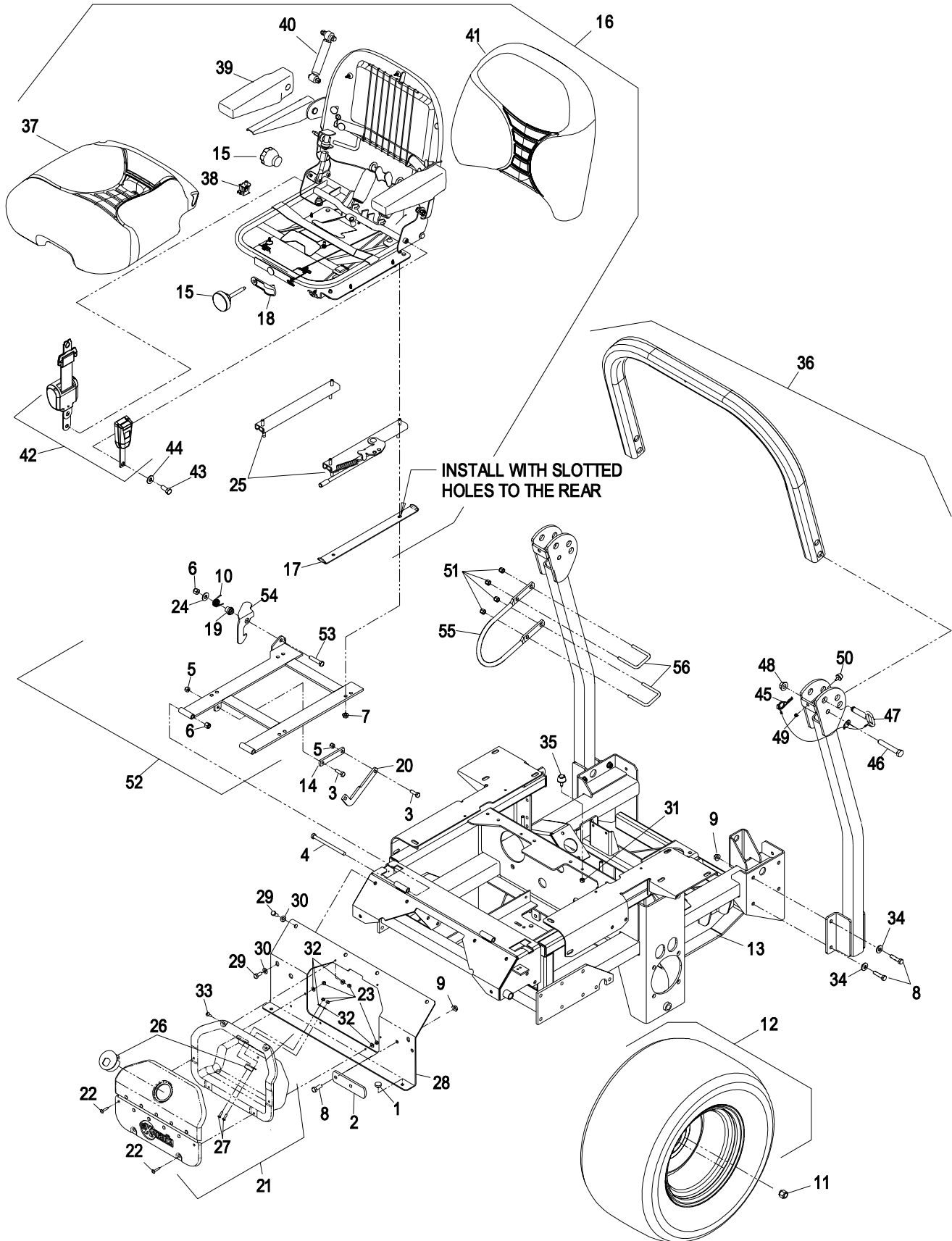
Item	Part No.	Description	Qty.
1	1-513658	Bumper.....	2
2	1-633964-03	Stop, Park Brake.....	1
3	322-5	Screw, HH 5/16-18 x 1.....	6
4	323-39	Screw, HH 3/8-16 x 5.....	2
5	3296-29	Nut, Nyloc 5/16-18.....	6
6	3296-39	Nut, Nyloc 3/8-16.....	3
7	32128-20	Nut, Whizlock 5/16-18.....	4
8	323-6	Screw, HH 3/8-16 x 1.....	10
9	3290-357	Nut, Whizlock 3/8-16.....	10
10	103-5519	Spring.....	1
11	242-50	Nut, Lug 1/2-20.....	8
12	109-3157	Asm, Wheel & Tire.....	2
	103-4963	Tire, 26x12-12 4 Ply.....	2
	103-3156	Wheel.....	2
13	109-3984	Asm, Engine Deck (109-3985-03) W/Decals.....	1
14	103-5161	Link, XP Seat Stop.....	2
15	107-1881	Kit, Knob.....	1
16▲	LSSEAT	Seat, Suspension.....	1
	109-3343	Kit, Spring and Saddle.....	1
	109-3344	Kit, Back Panel.....	1
	109-3345	Kit, Weight Adjust.....	1
17	1-633872-03	Stop, Seat.....	2
18	107-1885	Kit, Weight Indicator.....	1
19	107-0075	Bushing.....	1
20	109-2759	Link, XP Lower Seat Stop.....	2
21	103-3666	Asm, Cubby.....	1
22	32122-28	Screw, Truss HD #10-24 x 1.....	4
23	3296-2	Nut, Nyloc #10-24.....	8
24	3256-4	Washer, 3/8 Std.....	1
25	107-1880	Kit, Seat Track.....	1

Item	Part No.	Description	Qty.
26	103-3790	Latch, Cubby Door.....	1
27	3290-500	Screw, PPH #10-24 x 5/8.....	2
28	109-2075	Asm, Console(103-8273-03) W/Decals..	1
29	322-3	Screw, HH 5/16-18 x 3/4.....	6
30	3256-23	Washer, 5/16 SAE.....	6
31	3296-42	Nut, Nyloc 1/4-20.....	2
32	3256-14	Washer, #10 Std.....	8
33	1-803075	Screw, Truss Head #10-24 x 3/4.....	2
34	98-5975	Washer, Spring Disk 3/8.....	8
35	1-523420	Bumper.....	2
36◆	109-0060	Kit, XP ROPS.....	1
37	107-1883	Kit, Bottom Cushion.....	1
38	82-2190	Kit, Switch.....	1
39	107-1887	Kit, Armrest.....	1
40	107-1884	Kit, Shock Absorber.....	1
41	107-1882	Kit, Back Cushion.....	1
42	110-0883	Kit, Seat Belt.....	1
43	3212-4	Screw, HH 7/16-20 x 1.0.....	2
44	1-603610	Washer, Spring Disk 7/16.....	2
45	107-3155	Cotter, Hair Pin Double Loop.....	2
46	325-13	Screw, HH 1/2-13 x 3 1/4.....	2
47■	103-4553	Asm, Rops Fold Pin.....	2
48	32128-23	Nut, Hex Flange Side Lock 1/2-13.....	2
49	3296-73	Nut, Nyloc 1/4-20.....	2
50	109-2365	Bumper.....	2
51	3296-69	Nut, Nyloc 5/16-18.....	4
52	109-1813	Asm, Seat Frame.....	1
53	323-9	Screw, HH 3/8-16 x 2.....	1
54	103-5520	Latch, Seat.....	1
55	103-7599-03	Guard.....	1
56	109-2394	U-bolt.....	2

Exmark black touch up spray paint – Gloss black

- Includes ROPS fold pin plus hairpin, item #45.
- ◆ Rollover protection frame is serviced as a complete assembly only. Includes complete ROPS frame, mounting hardware, fold pivot and locking hardware, seat frame assembly item #52, and seat belt assembly item #42. Items #51, #55, & #56 are not included.
- ▲ Includes seat assembly plus tracks item #25, seat stops item #17, and seat wiring harness (item #45 pg. 25). Does not include seat belt assembly item #42.

MAIN FRAME GROUP



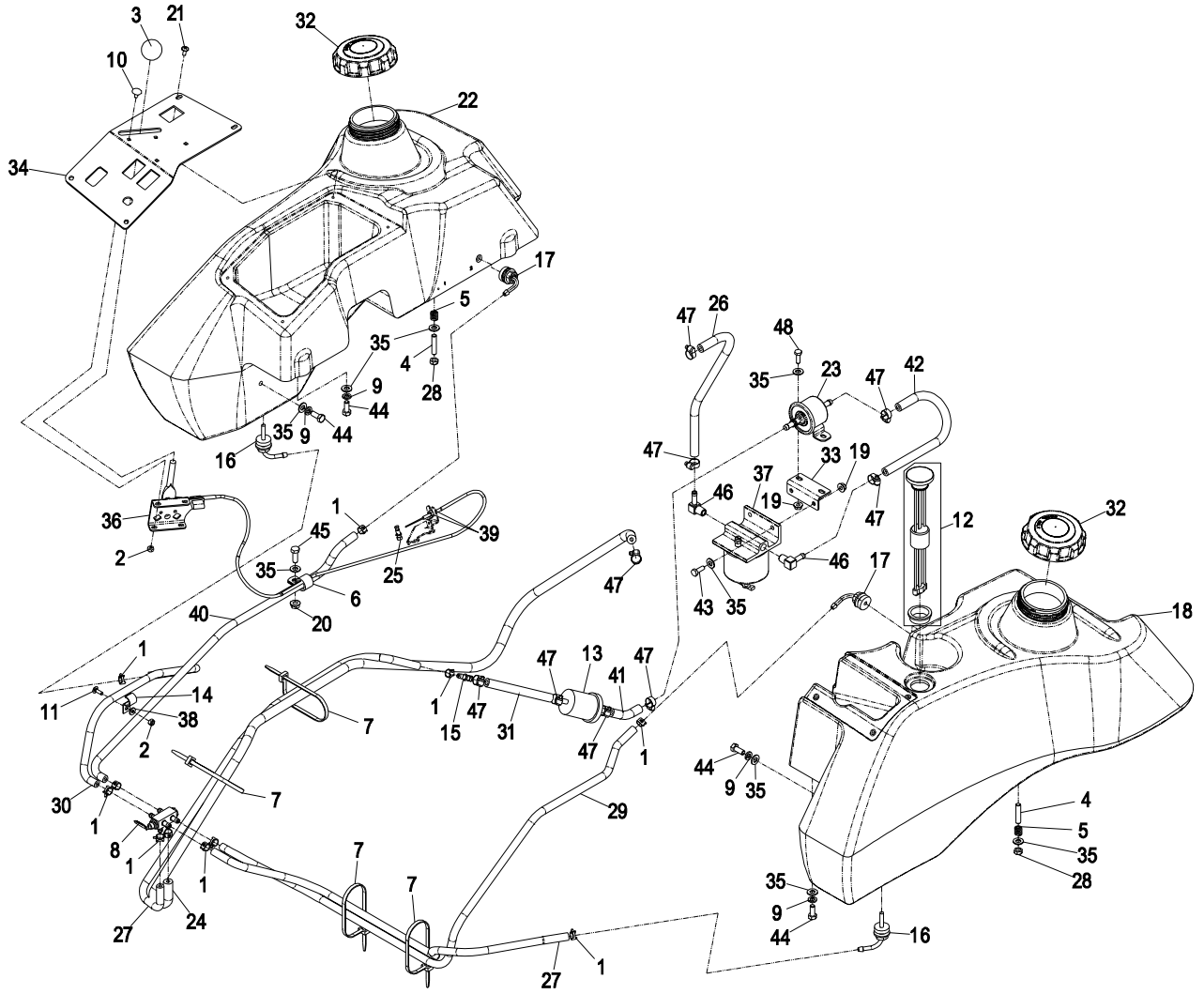
FUEL GROUP

Item	Part No.	Description	Qty.
1	1-303077	Clamp, Fuel Line.....	11
2	3296-2	Nut, Nyloc #10-24	3
3	1-603175	Knob, Ball	1
4◆	1-633023	Stud, Fuel Tank	6
5	1-633349	Spring, Compression	6
6	1-643312	Clip, Loom	1
7	1-643115	Tie, Cable 11.4	4
8	1-643234	Valve, Fuel Dual Flow	1
9	1-805005	Washer, Lock 5/16 Heavy.....	4
10	1-807513	Bolt, Carriage #10-24 x 1/2	2
11	1-807533	Bolt, Carriage #10-24 x 5/8	1
12	103-6564	Kit, Fuel Gauge.....	1
13◇	Kubota	P/N 12581-43012 Fuel, Filter	1
14	103-1193	Clip, Loom Half	1
15	103-2595	Connector, Fuel 1/4 X 5/16	1
16★	103-2605	Fitting, Fuel Bulkhead W/Strainer	2
	103-2784	O-ring.....	1
17★	103-2615	Fitting, Fuel Bulkhead	2
	103-2785	O-ring.....	1
18*	109-3611	Asm, Fuel Tank (LH).....	1
19	32128-33	Nut, Whizlock 1/4-20.....	4
20	32128-20	Nut, Whizlock 5/16-18.....	1
21▽	109-2661	Screw, PPH #10-24 x 1/2	4
22*	109-3612	Asm, Fuel Tank (RH)	1
23◇	Kubota	P/N 1G639-5203-0 Pump, Fuel.....	1

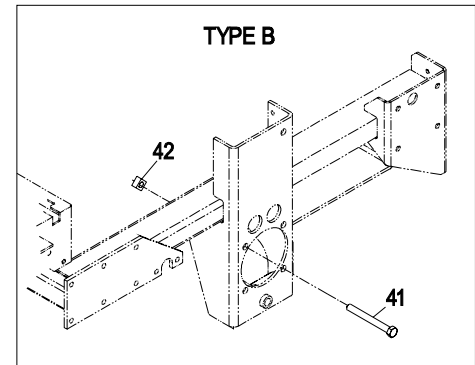
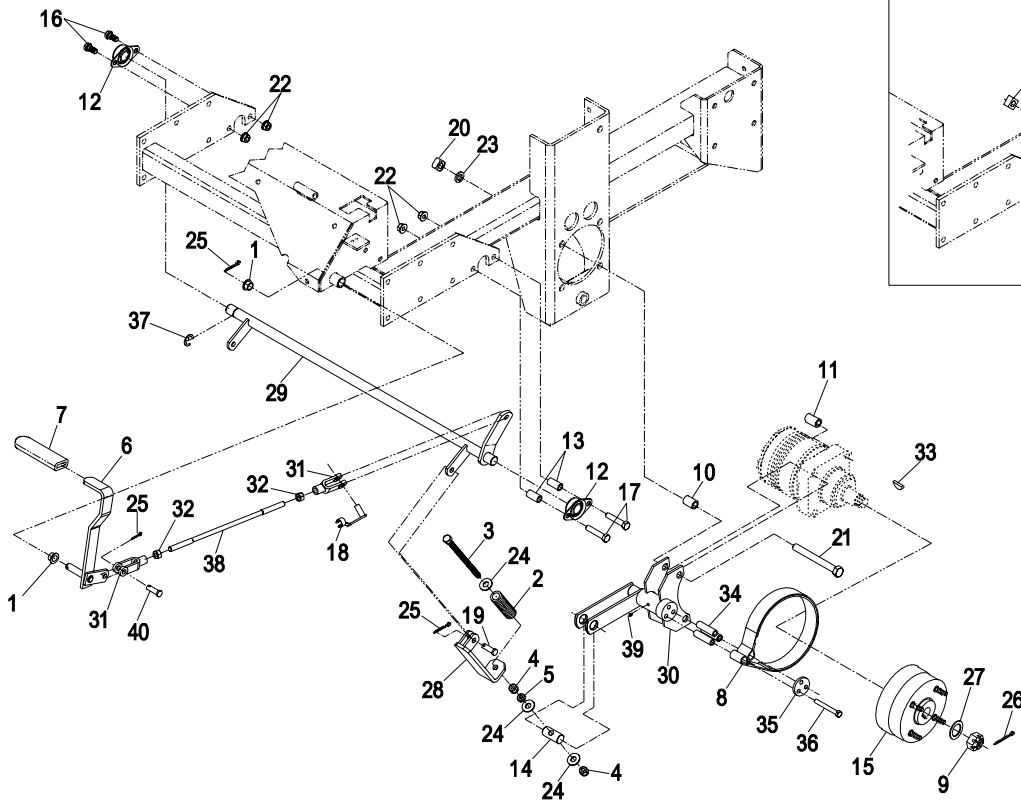
Item	Part No.	Description	Qty.
24	108-3682	Hose, Fuel Line 61"	1
25	108-5928	Swivel, Cable Stop.....	1
26	109-0274	Hose, Fuel Line 16"	1
27	109-0275	Hose, Fuel Line 32"	2
28	3296-47	Nut, Nyloc 5/16-18 Thin	6
29	109-0289	Hose, Fuel Line 42"	1
30	109-0302	Hose, Fuel Line 24"	1
31	109-0310	Hose, Fuel Line 5 1/2"	1
32	109-0347	Cap, Fuel (Diesel).....	2
33	109-0792-03	Bracket, Fuel Pump Mounting.....	1
34	109-3567	Asm, Control Panel W/Decals	1
35	3256-23	Washer, 5/16 SAE	15
36	109-2660	Cable, Throttle	1
37	109-2678	Element, Fuel Filter	1
38	3256-14	Washer, #10 Std.....	1
39	3220-1	Nut, Jam 1/4-28.....	2
40	109-3491	Hose, Fuel Line 30"	1
41	110-0047	Hose, Fuel Line 2 3/8"	1
42	110-4104	Hose, Fuel Line 11"	1
43	321-5	Screw, HH 1/4-20 x 7/8	2
44	322-3	Screw, HH 5/16-18 x 3/4.....	4
45	322-4	Screw, HH 5/16-18 x 7/8.....	1
46	353-707	Adapter, 90°	2
47	2412-108	Clamp, Hose.....	9
48	321-3	Screw, HH 1/4-20 x 5/8.....	2

- ◆ Use Pro-Lock, Retaining type (Part No. 1-840023), .5cc tube on stud threads going into the tank.
- ◇ Refer to Engine Owner's Manual.
- ▽ Snug fit only on slotted holes, **Do Not Overtighten**, tank must be able to expand.
- ★ Use Prolock, Nut type (Part No. 1-840022), .5ml tube on fuel fitting.
- * Includes tank, cap, fittings, and studs. LH tank also includes fuel gauge.

FUEL GROUP



PARK BRAKE GROUP



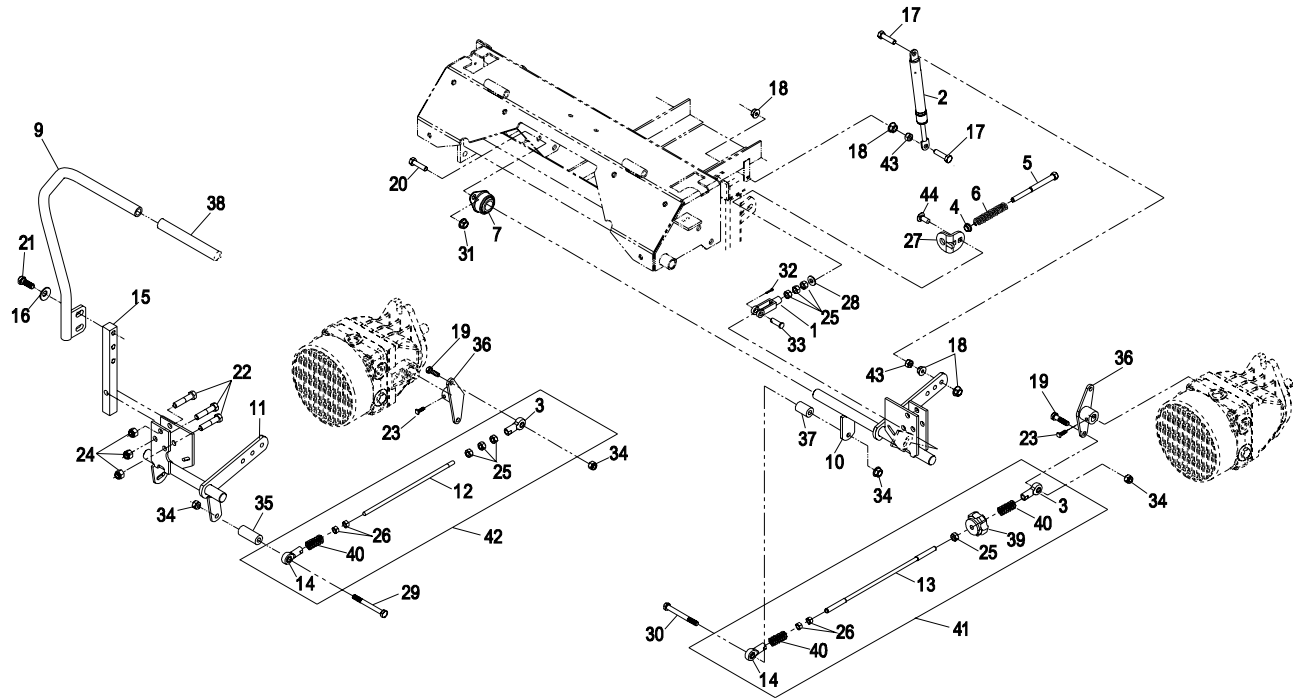
Item	Part No.	Description	Qty.
1	1-513140	Bushing.....	2
2	109-2230	Spring, Brake Rod.....	2
3	323-58	Bolt, HH 3/8-16 x 6 Tap.....	2
4	3296-39	Nut, Nyloc 3/8-16.....	4
5	3218-3	Nut, Jam 3/8-16.....	2
6	103-0197	Asm, Lever (103-0201-03) W/Grip.....	1
7	1-633268	Grip, Brake Lever.....	1
8	103-9761	Band, Brake.....	2
9	1-809036	Nut, Slotted 1-20.....	2
10	1-633380	Spacer (Short)(60").....	4
	109-5011	Spacer (Short)(66" & 72").....	4
11	1-633382	Spacer (Long)(60").....	4
	109-5012	Spacer (Long)(66" & 72").....	4
12	1-633102	Bearing, Flange.....	2
13	103-0051	Spacer, Brake Retainer.....	2
14	1-633144	Pin, Trunion.....	2
15	103-0590	Asm, Wheel Hub W/Studs & Drum.....	2
◆	1-633926	Studs, Wheel.....	8
16	323-4	Screw, HH 3/8-16 x 3/4.....	2
17	323-10	Screw, HH 3/8-16 x 2.....	2
18	103-2399	Pin, Clevis Spring 3/8.....	1
19	1-808284	Pin, Clevis 3/8 x 1.....	2
20	103-0131	Nut, Square 1/2-13.....	8
21	325-17	Screw, HH 1/2-13 x 4 (60").....	8
	325-20	Screw, HH 1/2-13 x 6 (66" & 72").....	8

Item	Part No.	Description	Qty.
22	3290-357	Nut, Whizlock 3/8-16.....	4
23	3253-7	Washer, Lock 1/2.....	8
24	3256-4	Washer, 3/8 Std.....	6
25	3272-10	Pin, Cotter 1/8 x 3/4.....	4
26	1-806800	Pin, Cotter 9/64 x 1 1/2.....	2
27	1-523157	Washer, Spacer.....	2
28	103-1117-03	Lower Brake Linkage.....	2
29	103-5243-03	Brake Shaft.....	1
30	103-0844-03	Bracket, Brake (60").....	2
	103-0810-03	Bracket, Brake (66" & 72").....	2
31	1-633131	Yoke.....	2
32	3219-3	Nut, Hex 3/8-24.....	2
33	3257-42	Key, Woodruff 5/16 x 1.....	2
34	103-0384	Spacer.....	6
35	103-0374	Retainer, Brake Band.....	2
36	322-9	Screw, HH .312-18 x 1.75.....	6
37	32151-48	E-Ring.....	1
38	103-1708	Rod, Brake.....	1
39	1481	Zerk, 45° 1/4-28.....	2
40	1-808285	Pin, Clevis 3/8 x 1 1/8.....	1
41	325-17	Screw, HH 1/2-13 x 4 (60").....	8
	325-22	Screw, HH 1/2-13 x 5 1/2 (66" & 72").....	8
42	109-5618	Nut, Square Special 1/2-13.....	8

Exmark black touch up spray paint – Gloss black

◆ Not Illustrated.

MOTION CONTROL GROUP



Item	Part No.	Description	Qty.
1	1-303105	Yoke	2
2	109-2339	Damper.....	2
3	1-543017	Balljoint (RH).....	2
4	109-3769	Bushing, Nylon.....	2
5	1-603737	Bolt, Neutral Return	2
6	1-603807	Spring	2
7	1-633102	Bearing, Flanged.....	4
8*	103-3457	Asm, Lever W/Grip (LH).....	1
9	103-3458	Asm, Lever W/Grip (RH)	1
10	109-3983	Wld, Motion Control Bracket (LH).....	1
11	109-3980	Wld, Motion Control Bracket (RH).....	1
12	103-5182	Link, Hydro Connecting (RH)	1
13	103-3065	Link, Hydro Connecting (LH)	1
14	1-633152	Balljoint (LH)	2
15	103-0407	Arm, Control Shaft	2
16	98-5975	Washer, Spring Disk 3/8	4
17	1-403180	Screw, HH 5/16-18 x 1 1/4 Sp.....	4
18	32128-20	Nut, Whizlock 5/16-18.....	10
19	322-6	Screw, HH 5/16-18 x 1 1/4	2
20	323-4	Screw, HH 3/8-16 x 3/4	8
21	323-6	Screw, HH 3/8-16 x 1	4
22	323-9	Screw, HH 3/8-16 x 1 3/4	6

Item	Part No.	Description	Qty.
23◇	1-803022	Setscrew, 5/16-18 x 5/8	2
24	3296-39	Nut, Nyloc 3/8-16.....	6
25	3219-2	Nut, Hex 5/16-24.....	10
26	1-804524	Nut, Hex 5/16-24 (LH).....	4
27	109-3908	Tab, Adjustment	2
28	3256-2	Washer, 1/4 Std.....	2
29	322-14	Screw, HH 5/16-18 x 3.....	1
30	322-12	Screw, HH 5/16-18 x 2 1/2.....	1
31	3290-357	Nut, Whizlock 3/8-16	8
32	3272-5	Pin, Cotter 3/32 x 1/2	2
33	1-808280	Pin, Clevis 5/16 x 1	2
34	3296-29	Nut, Nyloc 5/16-18	4
35	103-5192	Spacer, Hyd Control (RH)	1
36	103-0194-03	Wld, Pump Control Arm	2
37	103-1361	Spacer, Hyd Control (LH).....	1
38	103-3456	Grip, Motion Control Handle.....	2
39	103-3060	Knob, Tracking	1
40	1-323245	Spring, Compression	3
41	103-3062	Asm, Tracking Rod Linkage (LH).....	1
42	103-5190	Asm, Tracking Rod Linkage (RH)	1
43	3217-6	Nut, Hex 5/16-18.....	4
44	3230-23	Bolt, Carriage 5/16-18 x 3/4, short neck 2	2

Exmark black touch up spray paint – Gloss black.

* Not illustrated.

◇ Use Pro-Lock, Nut Type (P/N 1-840022, .5ml tube) on setscrews.

ENGINE GROUP

Item	Part No.	Description	Qty.
1	1-303334	Washer, Spring Disk 5/16	3
2	1-543610	Washer	2
3	1-603610	Washer, Spring Disk 7/16	2
4	1-805005	Washer, Lock 5/16 Heavy	3
5	1-807014	Key, Woodruff 1/4 x 7/8	1
6	66-6480	Washer	1
7	42-9600	Washer, Lock M10	12
8	63-7790	Screw, HH M10-1.25 x 1.25mm	12
9	83-1040	Washer	2
10	86-1990	Washer	1
11	93-6099	Washer	4
12	98-5975	Washer, Spring Disk 3/8	1
13	100-2436	Asm, Hood Air Intake W/Clamp	1
14	103-0608	Balljoint	2
15	103-1022	Isolator, Rear	2
16	103-1058	Bracket, Air Filter	1
17	103-1060	Cover, Air Filter W/Latch	1
18	103-1326	Filter, Safety Air	1
19	103-1327	Filter, Air	1
20	103-2613	Isolator, Side	2
21	103-3567	Link, Rear A-T Axial	1
22	103-3568	Isolator, A-T	2
23	103-3745	Asm, RR A-T	1
24	103-4718	Sheave	1
25	103-5178	Asm, Canister Air Filter W/Hood	1
26	33114-090	Screw, HH M8-1.25 x 90mm	1
27	103-7530-03	Wld, Engine Mount (LH)	1
28	103-7531-03	Wld, Engine Mount (RH)	1
29	103-7541-03	Bracket, Engine Mount	1
30	103-7542-03	Bracket, Clutch Reaction	1
31	103-7543	Asm, RR A-T	1
32	103-7544	Link, Rear A-T Axial	1
33	103-7555	Shaft, Kubota 902 Stub	1
34	103-7556	Hub, Pump Drive	1
35	103-7567-03	Wld, Flywheel Cover	1
36	103-7597	Hose, Air Intake	1

Item	Part No.	Description	Qty.
37●	109-2855	Kit, Muffler	1
38	103-9891	Spacer	1
39	104-3082	Nut, Nyloc M8-1.25 Flg	1
40	108-5922	Bracket, Throttle Support	1
41	109-0787-03	Bracket, Muffler Mounting	1
42	109-0789	Fan	1
43	109-1211	Solenoid, Fuel	1
44	109-2783	Gasket, Exhaust	1
45	109-2819	Latch, Air Cleaner	2
46	109-2820	Ejector, Air Cleaner	1
47	109-2901	Belt	1
48	109-2974	Clutch	1
49	322-3	Screw, HH 5/16-18 x 3/4	8
50	322-5	Screw, HH 5/16-18 x 1	2
51	323-12	Screw, HH 3/8-16 x 2 1/2	2
52	323-8	Screw, HH 3/8-16 x 1 1/2	1
53	323-7	Screw, HH 3/8-16 x 1 3/4	1
54	325-11	Screw, HH 1/2-13 x 2 3/4	1
55	2412-42	Clamp, Hose	3
56	3212-6	Screw, HH 7/16-20 x 1 1/2	1
57	3220-3	Nut, Jam 3/8-24	2
58	3253-4	Washer, Lock 5/16	6
59	3256-2	Washer, 1/4 Std	2
60	3256-23	Washer, 5/16 SAE	5
61	3256-24	Washer, 3/8 SAE	4
62	3256-4	Washer, 3/8 Std	2
63	3296-23	Nut, Nyloc 1/2-13	1
64	3296-39	Nut, Nyloc 3/8-16	4
65	3296-6	Nut, Nyloc 3/8-24	2
66	32128-20	Nut, Whizlock 5/16-18	10
67	33014-00	Nut, Hex M8-1.25	4
68	33113-012	Screw, HH M6-1 x 12mm	2
69	33113-020	Screw, HH M6-1 x 12mm	2
70◆	33114-020	Screw, HH M8-1.25 x 20mm	10
71	33114-080	Screw, HH M8-1.25 x 80mm	3
72	109-1245	Washer	1

Exmark black touch up spray paint – gloss black.

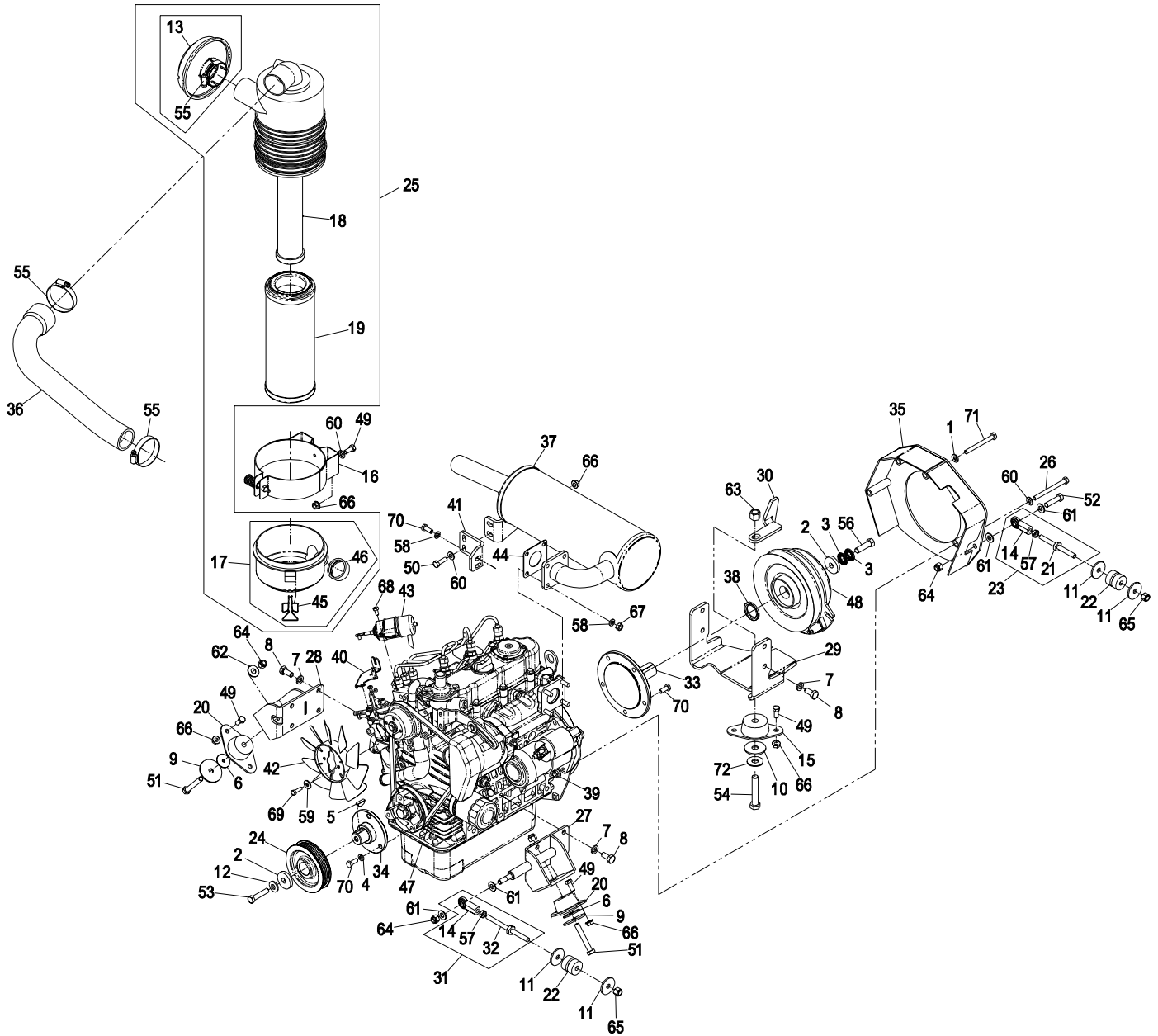
- ◆ Use Pro-Lock, Nut Type (P/N 1-840022, .5ml tube) on (5) screws, item #70 securing shaft, item #33 to engine.
- Includes item #44.

Kubota Replacement Parts List

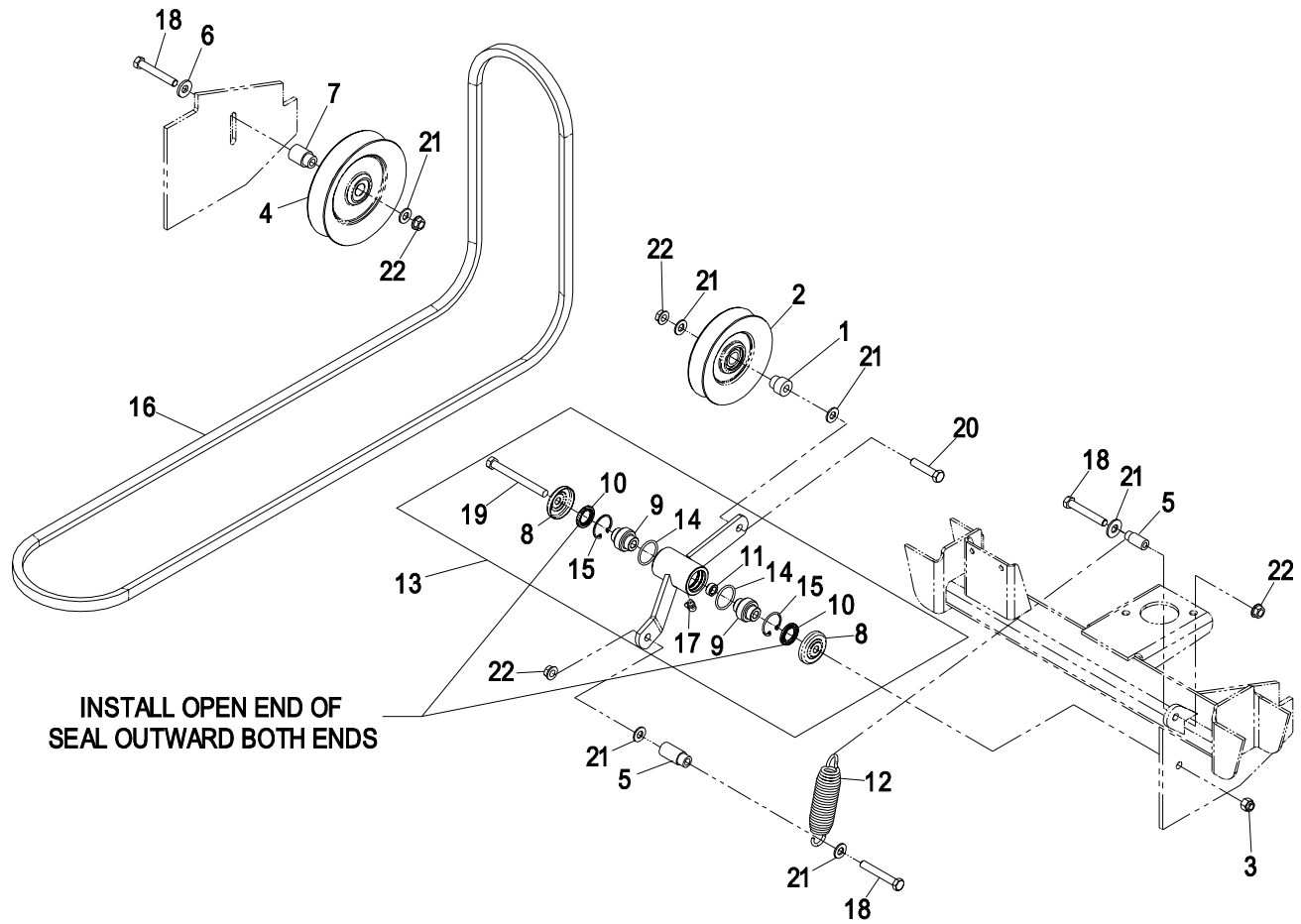
(Refer to Engine Owner's Manual)

<u>Description</u>	<u>Kubota Part No.</u>
Engine Oil Filter	15853-3243

ENGINE GROUP



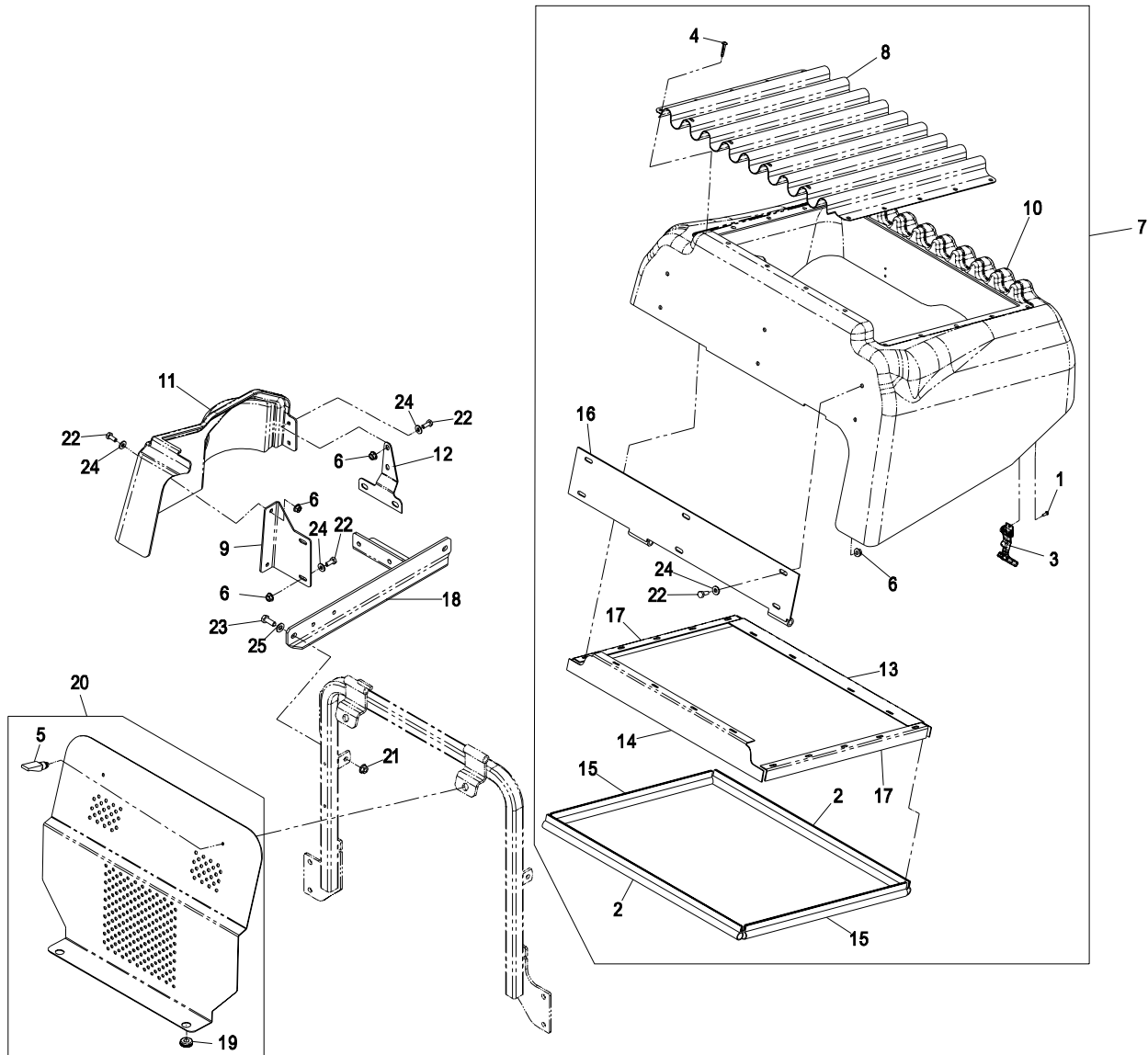
ENGINE DECK GROUP



Item	Part No.	Description	Qty.
1	1-603496	Bushing, Idler.....	1
2	1-603805	Pulley, Idler.....	1
3	3296-39	Nut, Nyloc 3/8-16.....	1
4	1-633166	Pulley, Idler.....	1
5	1-653366	Spacer.....	2
6	98-5975	Washer, Spring Disk 3/8.....	1
7	103-2627	Bushing, Idler.....	1
8	103-2916	Guard, Top.....	2
9	103-3504	Bearing, Spherical.....	2
10	103-3506	Seal, Single Lip.....	2
11	103-5677	Spacer.....	1

Item	Part No.	Description	Qty.
12	103-8599	Spring.....	1
13	103-9250	Kit, Idler Arm (109-3194-03) W/Brgs.....	1
14	106-7159	O-Ring.....	2
15	32120-10	Ring, Retaining.....	2
16	109-4199	Belt, Mule Drive.....	1
17	302-40	Zerk, 90° 1/4-28.....	1
18	323-12	Screw, HH 3/8-16 x 2 1/2.....	3
19	323-42	Screw, HH 3/8-16 x 3 3/4.....	1
20	323-9	Screw, HH 3/8-16 x 1 3/4.....	1
21	3256-24	Washer, 3/8 SAE.....	6
22	3290-357	Nut, Whizlock 3/8-16.....	4

HOOD AND PANEL GROUP



Item	Part No.	Description	Qty.
1	923786	Rivet	4
2	1-643187	Seal, Trim 20"	2
3	1-643188	Latch, Rubber	2
4	1-803072	Rivet	18
5	74-5950	Latch.....	2
6	32128-33	Nut, Whizlock 1/4-20.....	12
7◆	103-9200	Asm, Hood.....	1
8	103-9201-03	Screen, Radiator.....	1
9	103-9206-03	Bracket, Front Cover.....	1
10	103-9220	Cover, Radiator.....	1
11	103-9221	Panel, Side	1
12	103-9222-03	Bracket, Rear Cover	1
13	103-9223-03	Mount, Seal Rear.....	1

Item	Part No.	Description	Qty.
14	103-9224-03	Mount, Seal Front.....	1
15	103-9225	Seal, Trim 17.1".....	2
16	103-9226-03	Wld, Hinge.....	1
17	103-9228-03	Mount, Seal Side	2
18	109-3257	Asm, Air Cleaner Brkt W/Decals.....	1
19	109-0023	Grommet	2
20	109-3201	Asm, Air Deflector W/Decal	1
21	32128-33	Nut, Whizlock 1/4-20	12
22	321-3	Screw, HH 1/4-20 x 5/8.....	12
23	322-4	Screw, HH 5/16-18 x 7/8.....	2
24	3256-22	Washer, 1/4 SAE.....	12
25	3256-23	Washer, 5/16 SAE.....	2
26	32128-20	Nut, Whizlock 5/16-18	2

Exmark black touch up spray paint – gloss black.

◆ Hood assembly comes with back logo decal, side decals need to be ordered separately.

COOLING GROUP

Item	Part No.	Description	Qty.
1	1-303287	Tie, Cable 5 1/2 (Small)	3
2	1-513645	Bushing.....	1
3	1-513658	Bumper.....	2
4	1-633989	Clamp	4
5	1-643161	Cap, Radiator.....	1
6	1-643163	Tank, Overflow.....	1
7	1-643164	Cap, Overflow Tank	1
8	1-643189	Keeper, Rubber Latch	2
9	1-643259	Fitting, Elbow	1
10	69-3020	Latch, Draw.....	1
11	923786	Rivet	4
12	103-1479-03	Wld, Rear Bumper	1
13	103-6643	Spring	1
14	103-7532	Hose, Radiator	1
15	103-7558-03	Rib, Top	1
16	103-7579-03	Rib, Bottom	1
17	103-7581-03	Wld, Rear Radiator Mount.....	1
18	109-2804	Asm, Front Radiator Mount W/Decal.....	1
19◆	103-7715	Asm, Radiator	1
20	103-9207	Rod, Prop.....	1
21	109-3312	Asm, Latch Plate W/Decals	1
22	103-9214-03	Bracket	1
23	103-9218	Pin, Cover Pivot	2
24	109-0089-03	Bracket, Hydraulic Tank.....	1

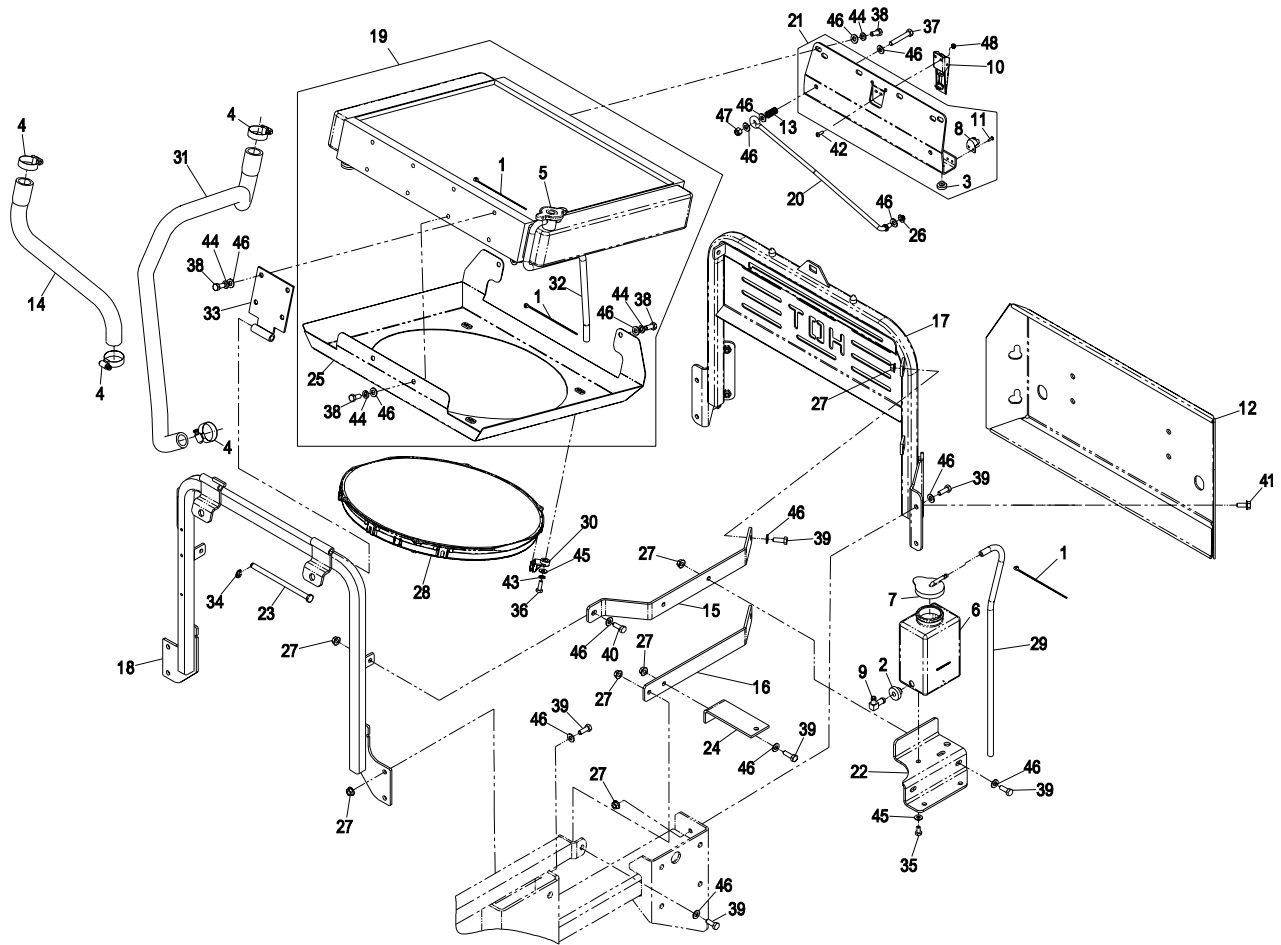
Item	Part No.	Description	Qty.
25	109-0796-03	Wld, Fan Shroud.....	1
26	109-0917	Nut, Push 5/16.....	1
27	32128-20	Nut, Whizlock 5/16-18	15
28●	109-2479	Asm, Radiator Fan W/Mounts.....	1
29	109-2669	Hose	1
30	109-2950	Mount, Fan	4
31	109-3142	Hose, Radiator.....	1
32	109-3143	Hose, Overflow	1
33	109-3179-03	Wld, Hinge Plate.....	2
34	32120-18	E-Ring	2
35	321-2	Screw, HH 1/4-20 x 1/2.....	2
36	321-4	Screw, HH 1/4-20 x 3/4.....	4
37	322-10	Screw, HH 5/16-18 x 2.....	1
38	322-3	Screw, HH 5/16-18 x 3/4.....	12
39	322-4	Screw, HH 5/16-18 x 7/8.....	14
40	322-5	Screw, HH 5/16-18 x 1.....	1
41	3234-47	Screw, HH FLG 5/16-18 x 3/4.....	4
42	3250-26	Screw, PPH #8-32 x 1/2.....	2
43	3253-3	Washer, Lock 1/4	4
44	3253-4	Washer, Lock 5/16.....	12
45	3256-22	Washer, 1/4 SAE.....	6
46	3256-23	Washer, 5/16 SAE	31
47	3296-29	Nut, Nyloc 5/16-18.....	1
48	3296-54	Nut, Nyloc #8-32 Thin.....	2

Exmark black touch up spray paint – gloss black.

◆ Radiator assembly does not include items, #1 or #32.

● Includes item, #30.

COOLING GROUP



HYDRAULIC GROUP

Item	Part No.	Description	Qty.
1	1-303335	Tie, Cable 7 15/16 (Large)	2
2	1-373034	Washer	2
3	1-603401	Spacer	1
4	9000784	Bolt, Carriage 3/8-16 x 5	1
5	32128-49	Nut, Whizlock 1/2-13.....	4
6▽	1-603990	Adapter, Straight.....	4
	1-603992	O-Ring, 37 Flare #8	1
	1-603920	O-Ring, SAE #8	1
7	1-603991	Adapter, Straight.....	4
	1-603992	O-Ring, 37 Flare #8	1
	1-603919	O-Ring, SAE #10	1
8	32128-20	Nut, Whizlock 5/16-18.....	2
9◇	1-803050	Setscrew, 5/16-18 x 3/4	4
10	1-805004	Washer, Lock 1/4 Heavy.....	2
11	1-805005	Washer, Lock 5/16 Heavy.....	6
12	98-5975	Washer, Spring Disk 3/8	3
13	103-1014	Elbow, 90°.....	2
	1-603920	O-Ring, SAE #8	1
14	103-1471	Hub, Pump Drive.....	2
15	103-1575	Spacer	1
16	103-1940	Adapter, Straight.....	2
	1-603992	O-Ring, 37 Flare #8	1
	1-603920	O-Ring, SAE #8	1
17	103-7615	Asm, Cap W/Gasket.....	1
18	103-1949	Gasket, Reservoir Cap.....	1
19	103-2146	Element, Hydraulic Oil Filter.....	1
20	103-2153	Elbow, 90°.....	2
	1-603992	O-Ring, 37 Flare #8	1
	1-603920	O-Ring, SAE #8	1
21▽	103-2156	Adapter, Straight.....	1
	103-1020	O-Ring, 37 Flare #6	1
	1-603921	O-Ring, SAE #6	1
22	103-2259	Filter Head	1
23	103-2315	Elbow, 90°.....	2
	1-603992	O-Ring, 37 Flare #8	1
24●	103-2489	Motor, Wheel Drive	2
25	103-2739	Key, 5mm x 5mm x 32mm	2

Item	Part No.	Description	Qty.
26	103-2916	Guard, Top	1
27	103-3186	Spacer	1
28	103-3330	Spring, Extension.....	1
29	103-3504	Bearing, Spherical	2
30	103-3506	Seal, Single Lip.....	2
31	103-4566	Spacer	1
32	103-4567	Pulley, Hydro Pump Idler	1
33	103-4569	Belt	1
34	103-4680	Hose, Wheel Motor (60")	4
	103-4679	Hose, Wheel Motor (66" & 72").....	4
35	32120-10	Ring, Retaining	2
36	3296-39	Nut, Nyloc 3/8-16.....	1
37	3290-357	Nut, Whizlock 3/8-16	6
38	103-4712	Sheave , Hydro Pump.....	2
39	103-4728	Asm, Lower Frame Idler	1
40	103-6498	Hose, Pump Inlet.....	1
41+	103-6565	Pump, Hydro (LH).....	1
42+	103-6566	Pump, Hydro (RH)	1
43	109-3250	Asm, Pump Idler W/Bearings	1
44	103-7569-03	Arm, Pump Idler	1
45	103-7693	Spacer	1
46	106-7159	O-Ring	2
47	109-0087	Asm, Case Drain Hose	1
48*	109-0088	Asm, Charge Hose	1
49	109-0091	Asm, Filter Inlet Hose	1
50	109-0582	Asm Hydraulic Reservoir W/Decals.....	1
51	3256-4	Washer, 3/8 Std.....	3
52	321-3	Screw, HH 1/4-20 x 5/8.....	2
53	322-3	Screw, HH 5/16-18 x 3/4.....	7
54	322-4	Screw, HH 5/16-18 x 7/8.....	2
55	323-11	Screw, HH 3/8-16 x 2 1/4.....	1
56	323-7	Screw, HH 3/8-16 x 1 1/4.....	3
57	323-8	Screw, HH 3/8-16 x 1 1/2.....	1
58	325-5	Screw, HH 1/2-13 x 1 1/4.....	4
59	3231-7	Bolt, Carriage 3/8-16 x 2 1/4	1
60	3231-5	Bolt, Carriage 3/8-16 x 1 3/4	1
61	3256-23	Washer, 5/16 SAE	3

Exmark black touch up spray paint – gloss black.

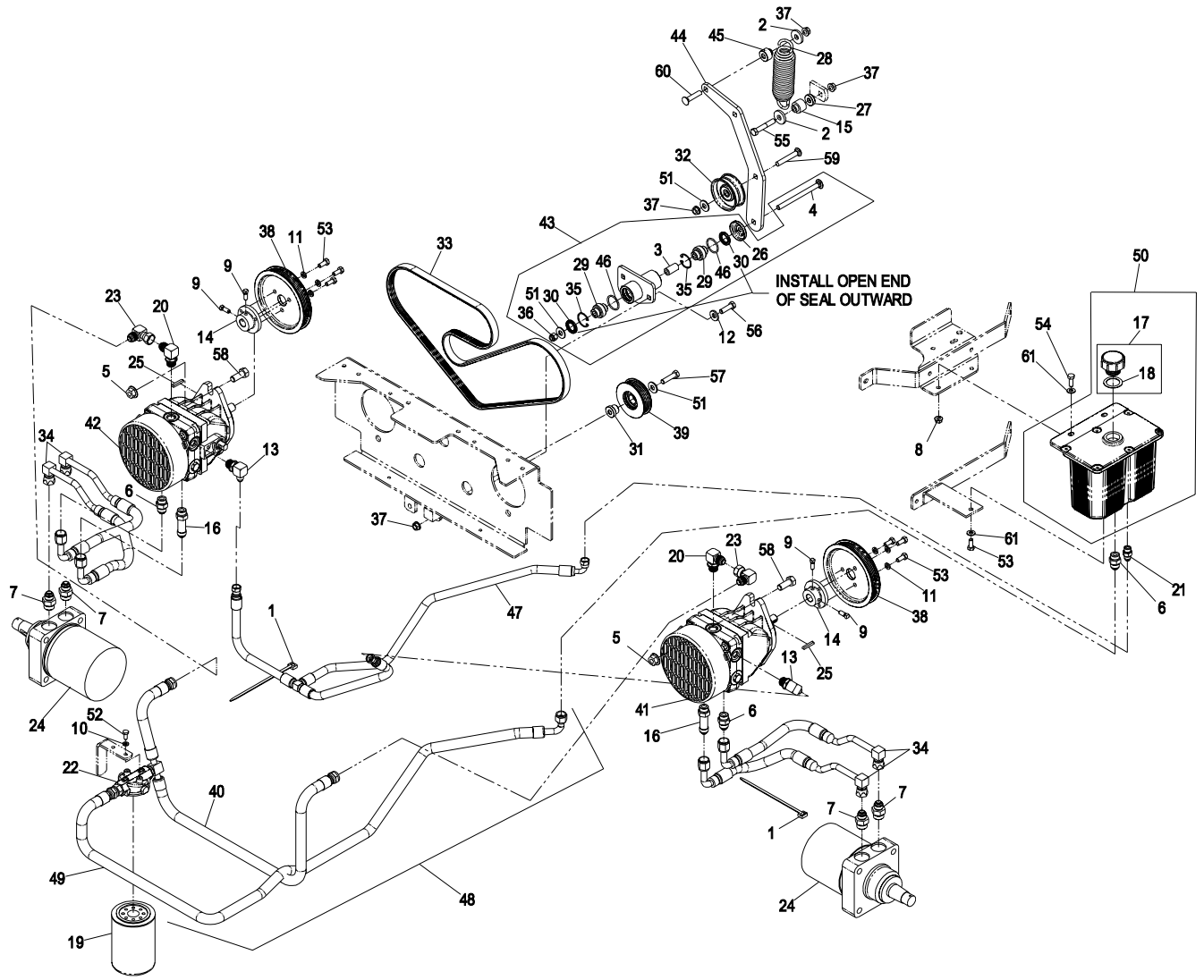
- ▽ Use Teflon pipe sealant on pipe threads in reservoir.
- ◇ Use Prolock, Nut Type (P/N 1-840022, .5ml tube) on setscrews.
- * Charge hose assembly includes items #22, #40 & 49 only.

● Wheel Motor Service Kits		
Part No.	Description	Qty.
103-6994	Kit, Seal	1

+ Hydro Pump Service Kits		
Part No.	Description	Qty.
100-6110	Kit, Seal Service 21L.....	1
103-2669	Kit, Input Shaft 21L	1
103-2670	Kit, Thrust Bearing 21L	1
103-2668	Kit, Cylinder Block 21L.....	1

+ Hydro Pump Service Kits		
Part No.	Description	Qty.
103-2667	Kit, Valve Plate 21L	1
103-7488	Fan, PW Pump Cooling.....	1
103-7489	Guard, PW Pump Fan	1

HYDRAULIC GROUP



DECAL GROUP

Item	Part No.	Description	Qty.
1	109-3148	Decal, Bolt Torque	1
2	109-2113	Decal, Triton	1
3	98-5954	Decal, Missing Cover	3
4	1-513742	Decal, No Step.....	2
5	110-3842	Decal, Antifreeze.....	1
6	103-0261	Decal, Fuel Valve.....	1
7	109-2219	Decal, Belt Routing	1
8	109-0872	Decal, Baffle Adjustment.....	1
9	1-523552	Decal, Hyd Tank / Hot Surface.....	1
10	1-513746	Decal, Muffler.....	1
11	1-513748	Decal, Guard.....	1
12	109-2478	Decal, 3850 RPM.....	1
13	110-0806	Decal, No Starting Fluid	1
14	107-2102	Decal, Folding ROPS.....	1
15	1-633706	Decal, Deck Height	1
16	109-2264	Decal, Warning	1
17	1-303508	Decal, Discharge Warning	1
18	103-6936	Decal, Belt Routing	1
19	109-2951	Decal, Relay	1

Item	Part No.	Description	Qty.
20	109-3067	Decal, Console Throttle	1
21	109-1399	Decal, Anti-Scalp	1
22	107-2112	Decal, Danger Slope.....	1
23	103-7474	Decal, Lazer XS Model	1
24	109-2263	Decal, Pump Fan Warning.....	1
25	109-1921	Decal, Check Service	1
26	109-1214	Decal, Park Brake.....	1
27	1-403005	Decal, Danger.....	2
28	109-1215	Decal, Cutting Height.....	1
29	109-1803	Decal, Triton 60"	1
30	109-1804	Decal, Triton 66"	1
31	109-1805	Decal, Triton 72"	1
32	107-9866	Decal, Top Console	1
33	109-1801	Decal, Exmark Logo	1
34	109-2358	Decal, Ignition.....	1
35	109-3066	Decal, PTO / Glow Plug.....	1
36	109-2586	Decal, Hood RH.....	1
37	109-2585	Decal, Hood LH	1
	109-5609	Kit, Decal XS	1

DECAL GROUP

1. Lubricate Blade Bolt threads with copper based anti-seize or grease and torque to 55-60 lbf-ft (75-81 N·m).

2. **TRITON**
High Capacity Cutting Platform

3. **⚠ DANGER**
COVER IS MISSING. DO NOT OPERATE THIS MOWER UNLESS COVER IS IN PLACE.

4. **NO STEP**

5. **CAUTION**
A solution of 50% anti-freeze and 50% water must be used in this engine. (Freezing point about -3°F). Do not use 100% anti-freeze, or severe damage will occur.

6. OFF, LH, RH

7. **BELT ROUTING**
BELT:
1-633127 - 60
103-0712 - 66
1-643052 - 72

8. **RAFFLE ADJUSTMENT**
CUTTING HEIGHT (INCHES (MM))
4.5 (114) - 6.0 (152) - 7.5 (190) - 9.0 (229)
10.5 (267) - 12.0 (305) - 13.5 (343) - 15.0 (381)

9. **⚠ CAUTION**
HOT SURFACE
DO NOT OPERATE WITHOUT GUARD IN PLACE.

10. **⚠ CAUTION**
HOT SURFACE
DO NOT OPERATE WITHOUT GUARD IN PLACE.

11. **⚠ CAUTION**
DO NOT OPERATE WITHOUT GUARD IN PLACE.

12. Engine RPM
2650 ± 50 (No Load)

13. **CAUTION**
Do not use ether or starting fluids. Starting fluid will reduce engine life.

14. **⚠ WARNING**
TO AVOID HEIGHT RELATED ROLL-OVER, NEVER LOWER THE MOWER TO THE POSITION IN WHICH IT IS USED. Lower the roll bar only when stationary. Do not use seat belt when the roll bar is lowered. Drive slowly and carefully. Raise the roll bar as soon as the operator permits. Read and follow roll-over protection instructions and warnings.

15. 2.0, 2.5, 3.0, 3.5, 4.0, 4.5

16. **⚠ WARNING**
ROTATING MECHANICAL DEVICES Can cause serious injury. • DO NOT operate without guards in place. • Stop engine before opening cover or removing guards.

17. **⚠ WARNING**
DO NOT OPERATE WITHOUT DISCHARGE DEFLECTOR, ENTIRE GRASS COLLECTION SYSTEM, OR MULCH KIT IN PLACE. DO NOT REMOVE GRASS CATCHER UNTIL BLADES HAVE STOPPED.

18. **PUMP BELT ROUTING**
BELT: 103-4569

19. START RELAY, FAN RELAY, GLOW RELAY, OIL PRESSURE RELAY, CHARGE RELAY

20. **ANTI-SKID PULLER ADJUSTMENT**
For normal operating conditions, place rollers in positions shown for proper ground clearance.

21. **⚠ WARNING**
Operating on wet grass or steep slopes can cause sliding and loss of control. • Wheels dropping over edges can cause rollovers, which may result in serious injury, death or drowning. • To avoid loss of control and possibility of rollover: • Do NOT operate near drop-offs or near water. • Do NOT operate on slopes greater than 15°. • Reduce speed and use extreme caution on slopes. • Avoid sudden turns or rapid speed changes. • There is no roll-over protection when the roll bar is down. • Always keep roll bar in the raised and locked position and use seat belt. • Read and follow roll-over protection instructions and warnings.

22. **⚠ WARNING**
Operating on wet grass or steep slopes can cause sliding and loss of control. • Wheels dropping over edges can cause rollovers, which may result in serious injury, death or drowning. • To avoid loss of control and possibility of rollover: • Do NOT operate near drop-offs or near water. • Do NOT operate on slopes greater than 15°. • Reduce speed and use extreme caution on slopes. • Avoid sudden turns or rapid speed changes. • There is no roll-over protection when the roll bar is down. • Always keep roll bar in the raised and locked position and use seat belt. • Read and follow roll-over protection instructions and warnings.

23. **LAZER^{XS}**

24. **⚠ CAUTION**
PINCH POINT May cause serious injury. • Place outdoor pump securely.

25. **SERVICE AID**
1. Check engine oil. 2. Check hydraulic oil. 3. Check the pressure in all tires. 4. Check the pressure in all tires. 5. Check the pressure in all tires. 6. Check the pressure in all tires. 7. Check the pressure in all tires. 8. Check the pressure in all tires. 9. Check the pressure in all tires. 10. Check the pressure in all tires. 11. Check the pressure in all tires. 12. Check the pressure in all tires.

26. **⚠ WARNING**
To avoid serious injury or death: • Read and understand the operator's manual before using this machine. • Do NOT operate unless trained to safely use this machine. • Do NOT operate under the influence of alcohol or drugs. • Do NOT operate without sabotas, guards, and safety devices in place and working. • Check the function of the operator assistance controls (OAC) safety system daily. Do NOT disable the OAC system. • Stop engine and remove key before adjusting, servicing or cleaning machine and attachments. • Hearing protection is recommended.

27. **⚠ DANGER**
KEEP HANDS AND FEET AWAY

28. **⚠ DANGER**
To avoid serious injury or death: • Read and understand the operator's manual before using this machine. • Do NOT operate unless trained to safely use this machine. • Do NOT operate under the influence of alcohol or drugs. • Do NOT operate without sabotas, guards, and safety devices in place and working. • Check the function of the operator assistance controls (OAC) safety system daily. Do NOT disable the OAC system. • Stop engine and remove key before adjusting, servicing or cleaning machine and attachments. • Hearing protection is recommended.

29. **TRITON 60**
High Capacity Cutting Platform

30. **TRITON 66**
High Capacity Cutting Platform

31. **TRITON 72**
High Capacity Cutting Platform

32. **⚠ WARNING**
Battery contains sulfuric acid. Avoid contact and always shield eyes, face, skin and clothing from battery. Cigarettes, flames or sparks could cause battery to rupture. Do not charge or use booster cables on actual good connections without proper training. In event of an accident flush with water immediately. Keep out of reach of children.

33. **eXmark**

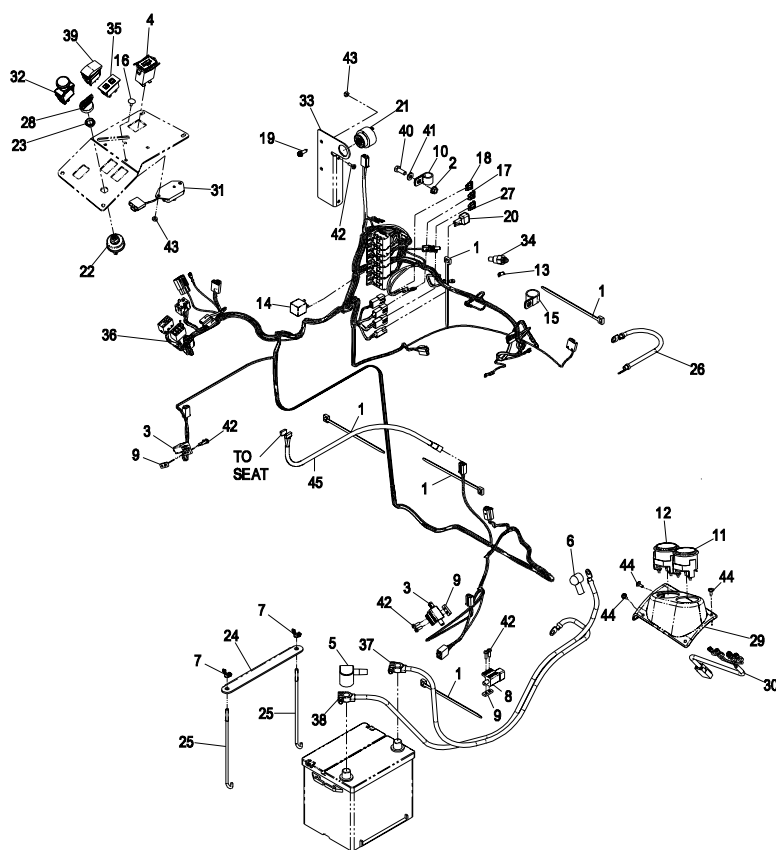
34. **PTO**
High 15 seconds

35. **PTO**
High 15 seconds

36. **XS DIESEL**

37. **XS DIESEL**

ELECTRICAL GROUP



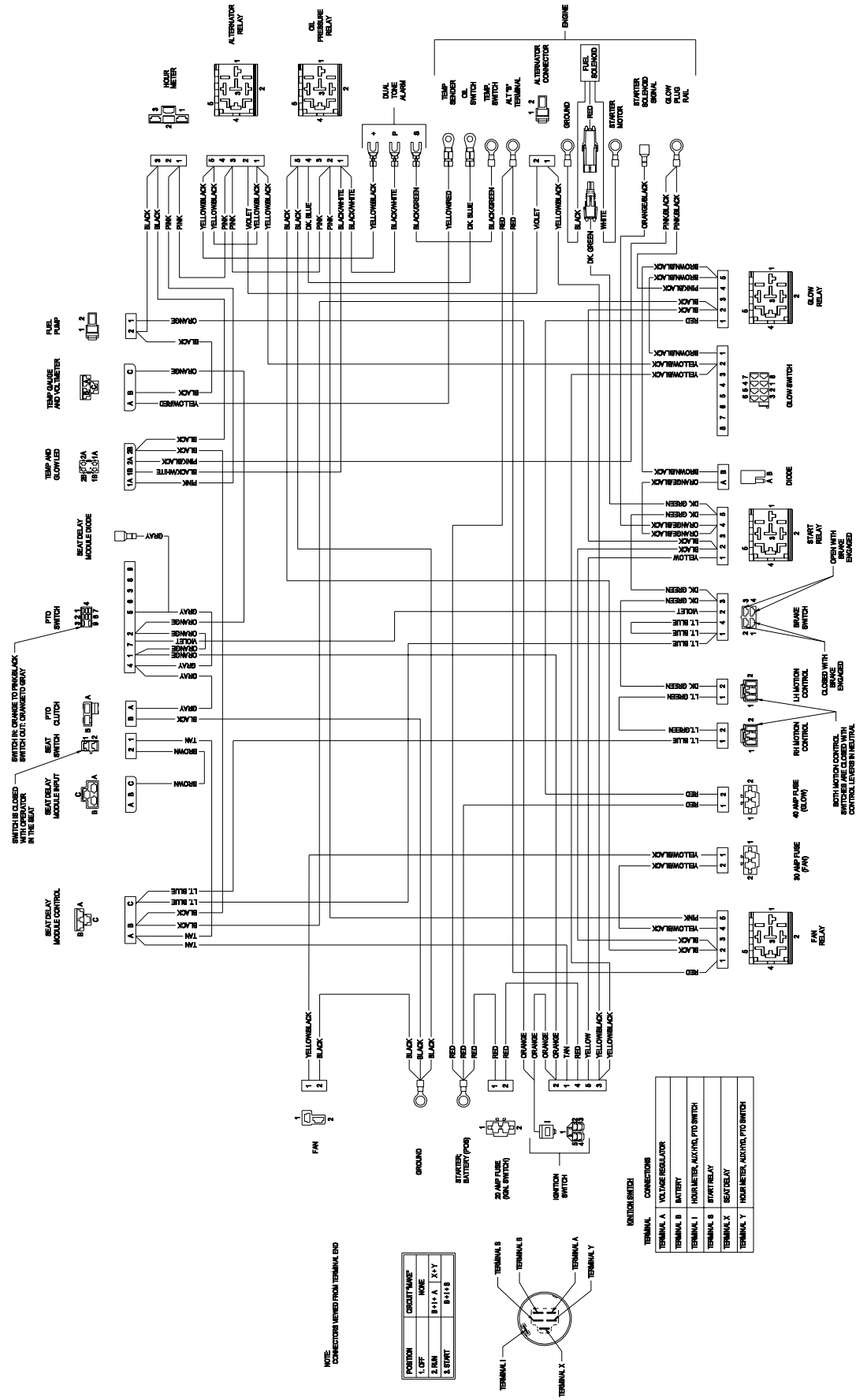
Item	Part No.	Description	Qty.
1	1-303335	Tie, Cable 7 15/16 (Large)	5
2	32128-20	Nut, Whizlock 5/16-18	1
3	1-513051	Switch, N.O.	2
4	1-513374	Meter, Engine Hours	1
5	1-543391	Insulator, Battery	1
6	1-543393	Insulator, Solenoid	1
7	1-543792	Wingnut, Nyloc 1/4-20	2
8	1-633111	Switch	1
9	1-633181	Plate, Tapped	3
10	1-633396	Clip, Loom 5/8	1
11	1-643021	Gauge, Temperature	1
12	1-643037	Gauge, Voltmeter	1
13	1-643145	Tab, #10 Stud X .25 Spade	1
14	1-643275	Relay, 12VDC 40 Amp	5
15	1-643312	Clip, Loom	1
16	1-807513	Bolt, Carriage #10-24 X 1/2	2
17	1-816001	Fuse, 20 Amp	1
18	1-816003	Fuse, 30 Amp	1
19	49-2040	Screw, HWH 1/4-20 X 3/4 TF	2
20	100-4918	Diode	1
21	103-0205	Alarm, Dual Tone 12VDC	1
22+	109-4736	Switch, Ignition W/Keys	1
23	103-0498	Nut, Ignition	1

Item	Part No.	Description	Qty.
24	103-1311-03	Holddown, Battery	1
25	103-1312	Bolt, Battery Hold Down	2
26	103-1349	Cable, Engine Ground	1
27	103-1368	Fuse, 40 Amp	1
28	103-2106	Key, Exmark Logo	1
29	103-3684	Bezel, Gauge	1
30◆	103-4339	Harness, Gauge	1
31	103-5218	Module, Seat Delay	1
32	103-5221	Switch, PTO	1
33	109-3495	Asm, Relay Mount Bracket	1
34■	103-7886	Sender, Temperature	1
35	109-2488	Cluster, Lights	1
36◆	109-3073	Harness, Wiring	1
37	109-3074	Cable, Ground (-)	1
38	109-3075	Cable, Battery (+)	1
39	110-0811	Switch	1
40	322-4	Screw, HH 5/16-18 X 7/8	1
41	3256-23	Washer, 5/16 SAE	1
42	3290-500	Screw, PPH #10-24 X 5/8	8
43	3296-2	Nut, Nyloc #10-24	4
44	109-2661	Screw, PPH #10-24 x 1/2	4
45	103-1227	Harness, Seat	1

Exmark black touch up spray paint – gloss black.

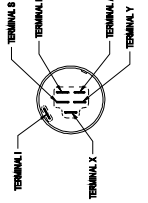
- ◆ Use dielectric grease on all wiring harness connectors.
- Use Teflon pipe sealant on pipe threads on temperature sending unit.
- + Includes item 23

ELECTRICAL DIAGRAM



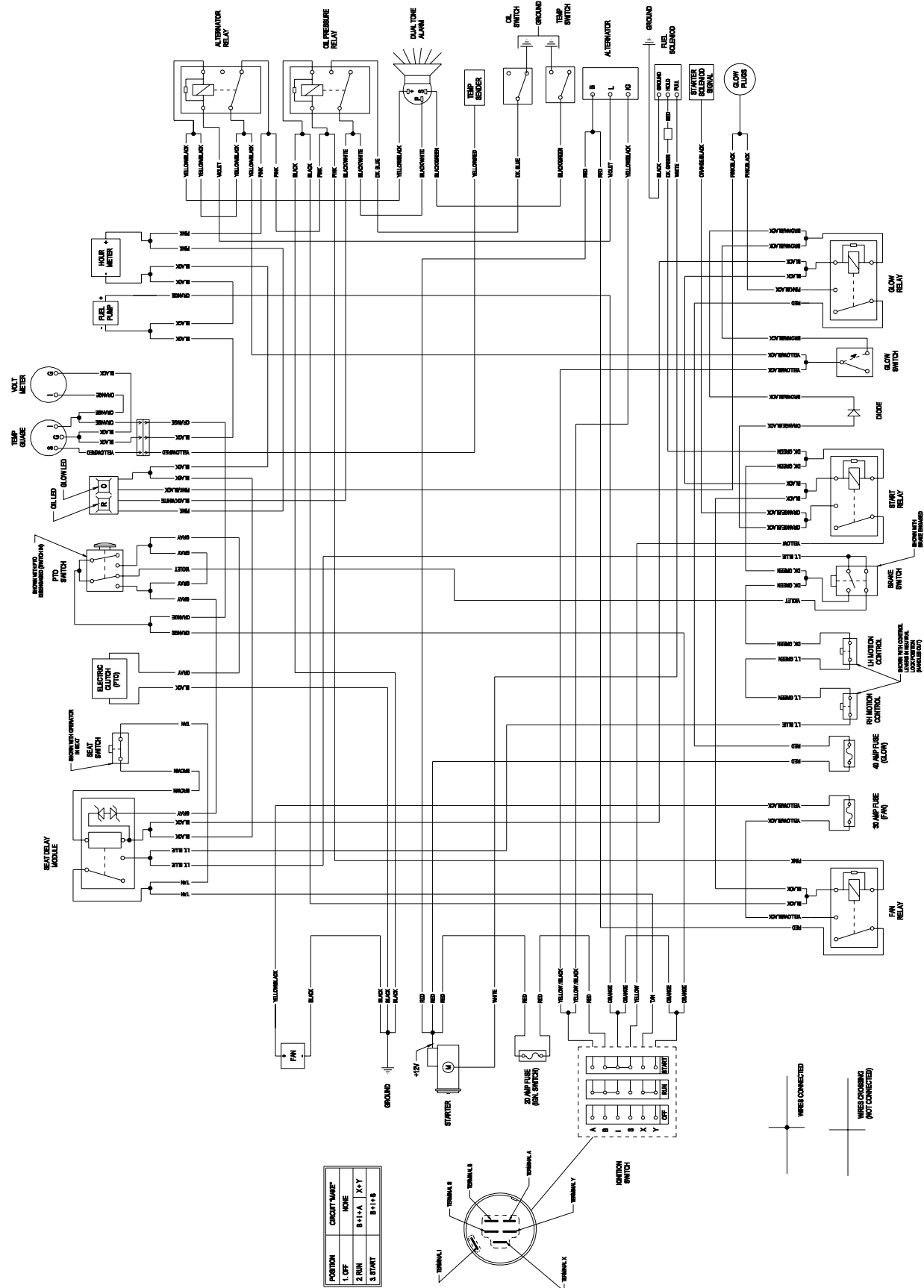
NOTE: CONNECTORS WIRING FROM TERMINAL END

POSITION	CIRCUIT/NAME	WIRE
1. LEFT		8+1-A X-Y
2. RIGHT		8+1-B



TERMINAL	CONNECTIONS
TERMINAL A	VOLTAGE REGULATOR
TERMINAL B	BATTERY
TERMINAL C	HOURMETER, ALTERNATOR PTO SWITCH
TERMINAL D	START RELAY
TERMINAL E	SEAT DELAY
TERMINAL F	HOURMETER, ALTERNATOR PTO SWITCH

ELECTRICAL LOGIC SCHEMATIC



NOTES

NOTES

SEE EXMARK'S COMPLETE LINE OF ACCESSORIES

RIDING ACCESSORIES

CUSTOM RIDE SEAT SUSPENSION SYSTEM
DECK LIFT ASSIST KIT
HITCH KIT
LIGHT KIT
MICRO-MULCH SYSTEM
ROLL OVER PROTECTION SYSTEM (ROPS)
SNOW BLADE
SUN SHADE
TRASH CONTAINER
TURF STRIPER
ULTRA VAC COLLECTION SYSTEM
ULTRA VAC QUICK DISPOSAL SYSTEM

WALK BEHIND ACCESSORIES

GRASS CATCHER
MICRO-MULCH SYSTEM
STEERABLE SULKY
SULKY HITCH KIT
TURF STRIPER
STANDON

Check us out on the Web:
www.exmark.com

© 2006
EXMARK MFG. CO. INC.
INDUSTRIAL PARK BOX 808
BEATRICE, NE 68310
ALL RIGHTS RESERVED

PART NO. 109-5953 Rev. A
(402) 223-6300
FAX (402) 223-5489
PRINTED IN U.S.A.

