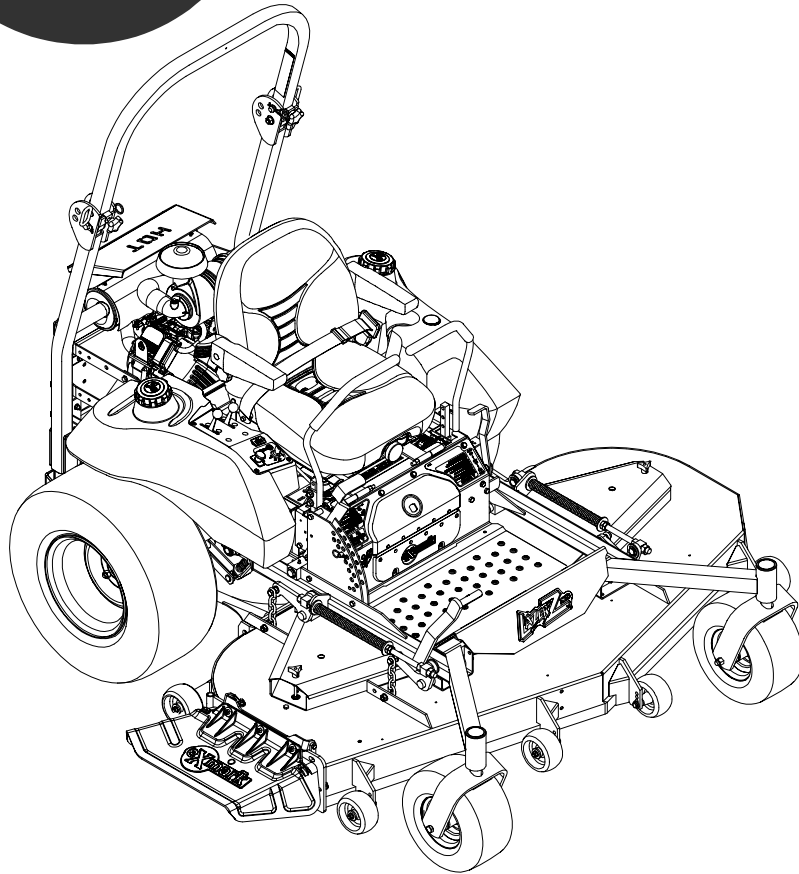


For Serial Nos.
600,000 & Higher



PARTS MANUAL

LAZER Z[®] XS

AIR-COOLED MODELS

CONGRATULATIONS on the purchase of your new Exmark mower. This product has been carefully designed and manufactured to give you a maximum amount of dependability and years of trouble-free operation. If additional information is needed, or should you require trained mechanic service, contact your authorized Exmark equipment dealer or distributor. If you need to order replacement parts from your dealer, always give the model number and serial number of your mower as well as the part number, description and quantity of the part needed.

The Serial No. plate is located on the right side of the console. For ease of ordering and reference, we suggest that you record the information requested in the following identification table.

Place Model No. and Serial No. Label Here (Included in Literature Pack) or Fill in Below
Model No. _____
Serial No. _____

Engine Model No. and Spec. No. (Code) _____

Engine Serial No. (E/No) _____

Date Purchased _____

EXMARK PARTS PLUS® PROGRAM

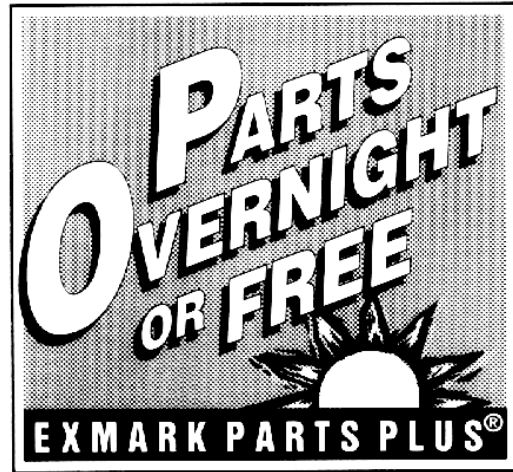
EFFECTIVE DATE: September 1, 1995

Program

If your Exmark dealer does not have the Exmark part in stock, Exmark will get the parts to the dealer the next business day or the part will be FREE* Guaranteed!!

How the Program Works

1. If dealer does not have part in stock for a "down" unit at the time of request by customer, the dealer contacts his distributor by 1:00 p.m., local time, and requests Exmark Parts Plus® shipment of six (6) line items or less.
2. Distributor ships part(s) to dealer or customer, as requested by dealer, same day, overnight UPS. Distributor bills dealer for part and freight charges where applicable.
3. If distributor does not have the part(s) in stock to satisfy Exmark Parts Plus® order, he contacts Exmark by 3:00p.m., central time, with an Exmark Parts Plus® order of six (6) line items or less.
4. If order is received by 3:00 p.m. central time, Exmark ships part(s) direct to dealer or customer, as requested by distributor, same day, overnight UPS, Exmark bills the distributor for parts and shipping charges, where applicable.
5. The customer pays for the part and freight if it is shipped under the Exmark Parts Plus® and if it arrives in accordance to the program.
6. Who pays for the part and freight if it fails to arrive overnight in accordance to the program?
 - A. Under any circumstance the customer does not pay.
 - B. If the part does not arrive overnight due to:
 1. The dealer not submitting the Exmark Parts Plus® order to his Exmark distributor by 1:00 p.m., the dealer pays for the part and freight.
 2. The Distributor being unable to ship the part the same day or not submitting the Exmark Parts Plus® order to Exmark by 3:00 p.m., central time, the Distributor pays for the part and freight.
 3. Exmark being unable to ship the part and the Exmark parts order is received by 3:00 p.m., central time, Exmark pays for the part and freight.
 4. If the part does not arrive overnight due to the shipper (UPS), the shipper pays for the freight and Exmark pays for the part.



The following restrictions apply -- The Exmark Parts Plus® Program is available only through participating Exmark Dealers and applies only to orders submitted on this program Monday through Thursday. Parts Plus service is available only in the 48 contiguous United States. UPS has initiated a Saturday delivery program to many areas of the continental United States and can be requested for an overnight shipment on Friday to be delivered Saturday. The next day air charge, plus the Saturday delivery fee will be the responsibility of the purchaser. Exmark Mfg. will assume no responsibility for Saturday delivery shipments. To qualify, all Exmark Parts Plus® orders must be received by Exmark by 3:00 p.m., central time. Orders must be six (6) line items or less. Exclusions from the Exmark Parts Plus® Program are: Any wholegood or accessory in its entirety, engines and engine replacement parts, 5-speed Peerless transmissions and 5-speed transaxles, hydraulic or hydrostatic wheel motors, cutter decks and engine decks or any item exceeding United Parcel Service size and weight restrictions.

Due to UPS restrictions, aerosol spray paint is considered a hazardous material and cannot be shipped via UPS next day or Second Day Air.

Exmark Manufacturing stocks a limited supply of parts for transaxles, pumps and wheel motors. These parts can be ordered for Next Day Air shipment but will not be guaranteed per the Parts Plus Program

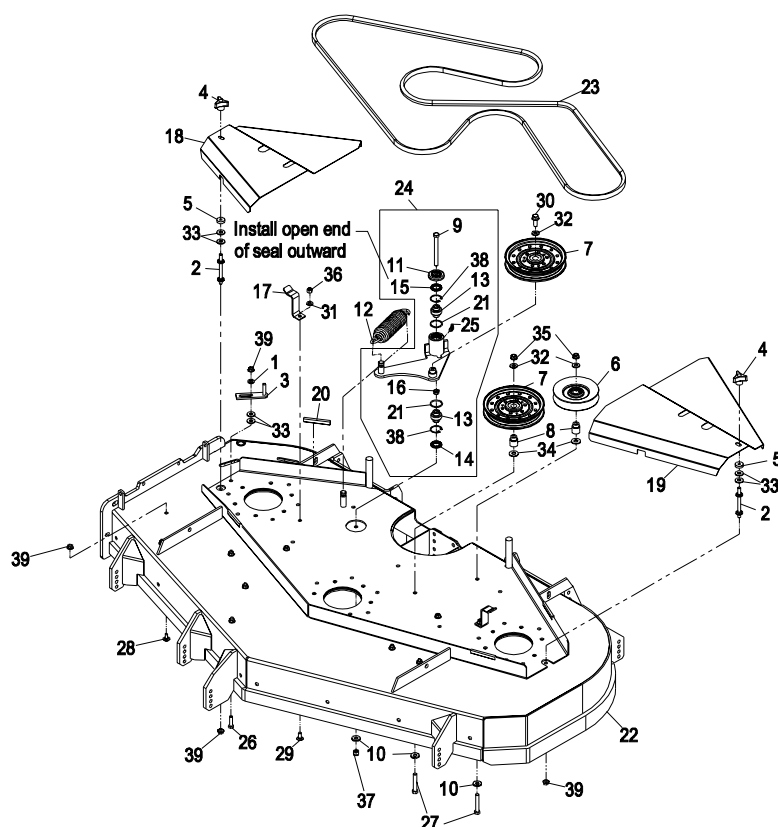


**READ OPERATOR'S MANUAL BEFORE
OPERATING OR SERVICING EXMARK EQUIPMENT.**

TABLE OF CONTENTS

<u>Description</u>	<u>Page</u>
Deck Group	3-4
Decal Group	17-18
Electrical Diagram	20
Electrical Group	19
Electrical Logic Schematic.....	21
Engine Deck Group	14
Front Frame Group	7-8
Fuel Group.....	11
Hydraulic Group.....	15-16
Main Frame Group.....	9-10
Motion Control Group	13
Park Brake Group.....	12
Spindle Assembly	5
Upper Frame Group.....	6

DECK GROUP



Item	Part No.	Description	Qty.
1	1-303334	Washer, Spring Disk 5/16	1
2	1-303537	Stud, Belt Shield	2
3	1-322110	Wld, Belt Guide.....	1
4	1-323385	Knob	2
5	1-323417	Washer, Belt Shield	2
6	1-603805	Sheave, Idler.....	1
7	1-633109	Sheave, Flat Idler.....	2
8	1-633456	Bushing, Idler.....	2
9	98-5961	Screw, HH 3/8-16 x 4 Gr8	1
10	98-5975	Washer, Spring Disk 3/8	3
11	103-2916	Guard, Top.....	1
12	103-3330	Spring	1
13	103-3504	Bearing, Spherical.....	2
14	103-3505	Seal, Double Lip.....	1
15	103-3506	Seal, Single Lip.....	1
16	103-5677	Spacer	1
17	103-8103-01	Latch, Belt Shield.....	2
18	109-2097	Asm, Shield W/Decal 60" RH.....	1
	109-2133	Asm, Shield W/Decal 66" RH.....	1
	109-2135	Asm, Shield W/Decal 72" RH.....	1
19	109-2096	Asm, Shield W/Decal 60" LH	1
	109-2132	Asm, Shield W/Decal 66" LH	1
	109-2134	Asm, Shield W/Decal 72" LH	1
20	105-7699	Strip-Seal, 3".....	4
21	106-7159	O-Ring	2

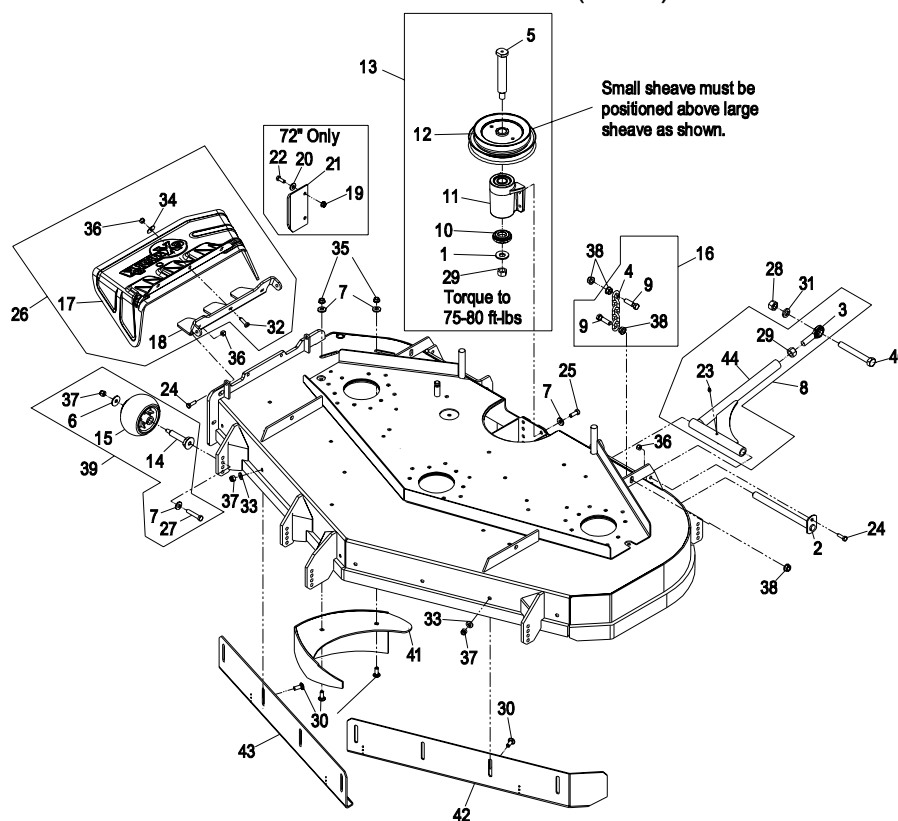
Item	Part No.	Description	Qty.
22	109-2100	Asm, Deck W/Decals 60"	1
	109-2103	Asm, Deck W/Decals 66"	1
	109-2105	Asm, Deck W/Decals 72"	1
23	1-633127	Belt 60".....	1
	109-5018	Belt 66".....	1
	1-643052	Belt 72".....	1
24*	109-2095	Kit, Idler Arm W/Bearings	1
25	302-40	Zerk, 90° 1/4-28.....	1
26	322-6	Screw, HH 5/16-18 x 1 1/4.....	1
27	323-11	Screw, HH 3/8-16 x 2 1/4.....	2
28	3230-18	Bolt, Carriage 5/16-18 x 5/8	9
29	3230-22	Bolt, Carriage 5/16-18 x 7/8	2
30	3234-11	Screw, HH FLG 3/8-16 x 1	1
31	3256-23	Washer, 5/16 SAE	2
32	3256-24	Washer, 3/8 SAE	3
33	3256-3	Washer, 5/16 Std.....	6
34	3256-4	Washer, 3/8 Std.....	2
35	3290-357	Nut, Whizlock 3/8-16	2
36	3296-29	Nut, Nyloc 5/16-18	2
37	3296-39	Nut, Nyloc 3/8-16	1
38	32120-10	Ring, Retaining	2
39	32128-20	Nut, Whizlock 5/16-18	12
40▲	109-2380	Asm, Deck Complete 60".....	1
	109-2381	Asm, Deck Complete 66".....	1
	109-2382	Asm, Deck Complete 72".....	1

Exmark red touch up paint (spray paint - P/N 1-850337 - .6 oz liquid bottle - P/N 103-9140).

▲ Complete deck assembly includes all items from pages 3 – 6 except items (#8, #16, #28, #31,#38, and #40 from page 5) and includes mule drive belt from page 15.

* Kit also includes items #10 & #37.

DECK GROUP (cont.)



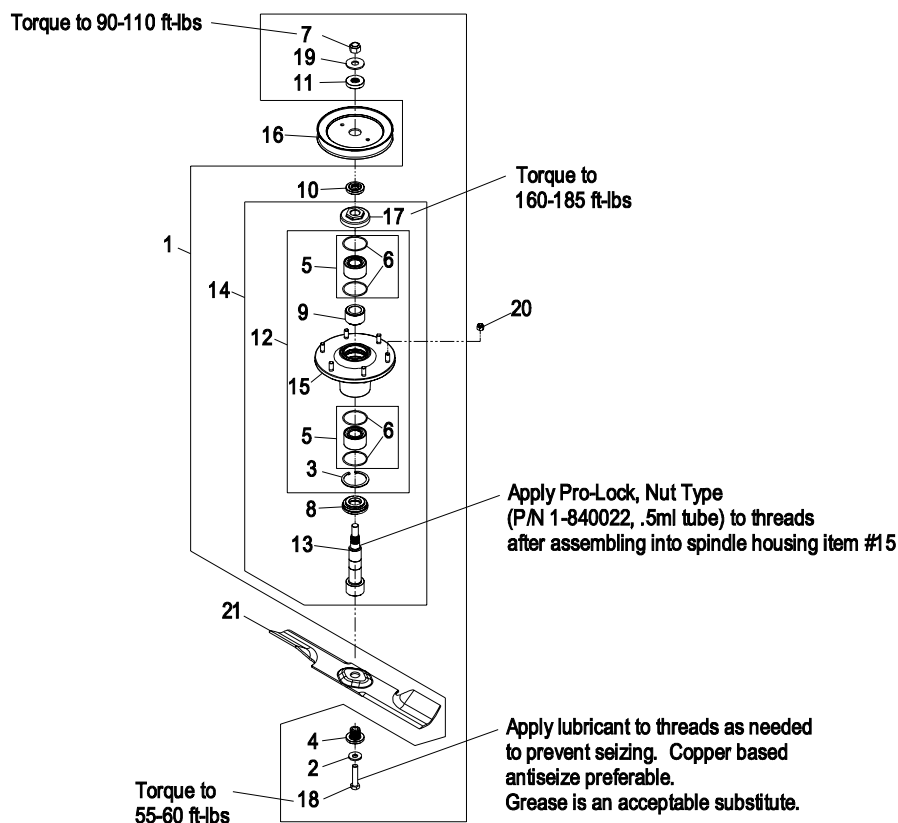
Item	Part No.	Description	Qty.
1	1-513208	Washer, Spring Disk 5/8	1
2	1-632199-01	Wld, Pin Deck Strut.....	2
3	1-633029	Balljoint.....	2
4	1-633447	Chain, Deck Lift	4
5●	1-643393	Jackshaft, Lazer.....	1
6	63-8410	Washer	6
7	98-5975	Washer, Spring Disk 3/8	12
8	103-8543	Asm, Strut 60".....	2
	103-8544	Asm, Strut 66" & 72"	2
9	103-1898	Screw, HH 7/16-20 x 1-5/8 Sp.....	8
10	103-2535	Spacer, Guard Bottom	1
11●	103-2544	Asm, Jackshaft Housing	1
12●	103-3046	Sheave, Jack Shaft- Double.....	1
13	103-3249	Asm, Jackshaft	1
14	103-5364	Axle, Anti-Scalp Roller	6
15	103-8415	Roller, Anti-Scalp	6
16	103-9792	Asm, Chain Deck	4
17	109-2739	Chute, Discharge LZ	1
18	109-0498-03	Hinge, Grass Discharge	1
19	32128-20	Nut, Whizlock 5/16-18 72".....	2
20	3256-3	Washer, 5/16 Std 72"	2
21	103-9423-01	Deflector, Discharge 72"	1
22	322-4	Screw, HH 5/16-18 x 7/8 72"	2
23	302-19	Zerk, 1/4-28 Str.....	4
24	322-5	Screw, HH 5/16-18 x 1	4
25	323-6	Screw, HH 3/8-16 x 1	4

Item	Part No.	Description	Qty.
26	109-2099	Asm, Discharge Chute.....	1
27	3211-46	Screw, HH 3/8-24 x 2 Gr8	6
28	3217-11	Nut, Hex 5/8-11.....	2
29	3219-6	Nut, Hex 5/8-18.....	3
30	3231-22	Bolt, Carriage 3/8-16 x 1	10
31	3253-8	Washer, Lock 5/8	2
32	3230-16	Bolt, Carriage 5/16-18 x 7/8	3
33	3256-24	Washer, 3/8 SAE	8
34	3256-82	Washer.....	3
35	3290-357	Nut, Whizlock 3/8-16	2
36	3296-29	Nut, Nyloc 5/16-18.....	7
37	3296-39	Nut, Nyloc 3/8-16.....	14
38	32128-37	Nut, Whizlock 7/16-14	16
39	109-2098	Kit, Anti-Scalp Roller.....	6
40	327-28	Screw, HH 5/8-11 x 5 1/2.....	2
41	109-0694-01	Wld, Dogleg 60".....	1
	109-0821-01	Wld, Dogleg 66".....	1
	109-1039-01	Wld, Dogleg 72".....	1
42	109-0701-01	Wld, Baffle Front Adj LH 60"	1
	109-0822-01	Wld, Baffle Front Adj LH 66"	1
	109-1044-01	Wld, Baffle Front Adj LH 72"	1
43	109-0704-01	Wld, Baffle Front Adj RH 60"	1
	109-0823-01	Wld, Baffle Front Adj RH 66"	1
	109-1047-01	Wld, Baffle Front Adj RH 72"	1
44	103-1355-01	Wld, Deck Strut-Std 60".....	2
	103-0100-01	Wld, Deck Strut-Std 66" & 72"	2

Exmark red touch up paint (spray paint - P/N 1-850337 - .6 oz liquid bottle - P/N 103-9140).

- Apply Mobil HTS grease (P/N 103-5217 1.5 oz packet) (or a food-grade antisieze) between the jackshaft and bearings and jackshaft and sheaves. DO NOT use a copper or nickel based antisieze.

SPINDLE ASSEMBLY



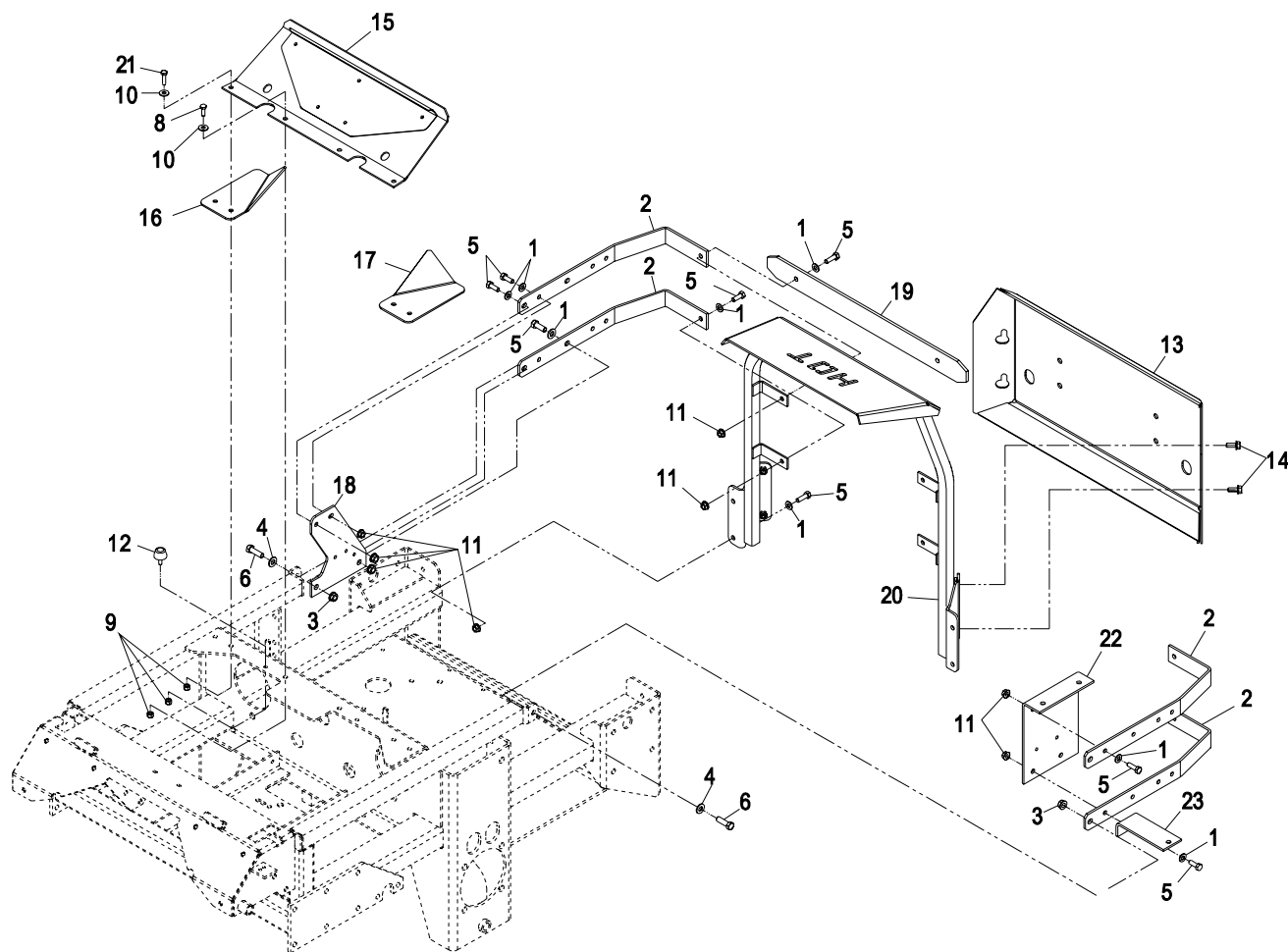
Item	Part No.	Description	Qty.
1	109-2102	Asm, Cutter Housing Complete.....	3
2	1-513435	Washer, Spring Disk 1/2	3
3	92-5581	Retaining Ring, Internal.....	3
4	103-3037	Bushing, Splined	3
5	109-2064	Asm, Bearing W/O-Rings.....	6
6	103-5895	O-Ring	12
7	3296-41	Nut, Nyloc 5/16-18	3
8	103-9504	Guard, Bottom	3
9	103-9506	Spacer, Bearing	3
10	103-9522	Spacer, Splined Stepped	3
11	103-9523	Spacer, Splined	3
12	103-9539	Asm, Cutter Housing.....	3
13●	103-9540	Spindle, Double Spline.....	3
14	103-9541	Asm, Spindle Housing.....	3
15	109-0764	Asm, Housing W/Studs.....	3
16	109-0914	Sheave, Blade Drive 60"	3
	109-0929	Sheave, Blade Drive 66"	3
	109-1005	Sheave, Blade Drive 72"	3
17	109-1058	Nut, Spindle 7/8-14	3
18	3213-6	Screw, HH 1/2-20 x 2 1/4	3
19	3256-7	Washer, 5/8 Std.....	3
20	3296-39	Nut, Nyloc 3/8-16	18

Item	Part No.	Description	Qty.
21	103-8240	Blade, Low Lift 60"	3
	103-8396	Blade, Medium Lift 60"	3
	103-8239	Blade, High Lift Solid 60"	3
	103-8244	Blade, High Lift Notched 60"	3
	103-8432	Blade, High Lift Ls 60"	3
	103-8431	Blade, High Lift Ls Solid 60"	3
■	103-8107	Blade, Mulch 60"	3
	103-9616	Blade, Low Lift 66"	3
	103-9619	Blade, Medium Lift 66"	3
	103-9617	Blade, High Lift Solid 66"	3
	103-9618	Blade, High Lift Notched 66"	3
	103-9620	Blade, High Lift Ls 66"	3
	103-9621	Blade, High Lift Ls Solid 66"	3
■	103-9612	Blade, Mulch 66"	3
	103-9622	Blade, Low Lift 72"	3
	103-9625	Blade, Medium Lift 72"	3
	103-9623	Blade, High Lift Solid 72"	3
	103-9624	Blade, High Lift Notched 72"	3
	103-9626	Blade, High Lift Ls 72"	3
	103-9627	Blade, High Lift Ls Solid 72"	3
■	103-9613	Blade, Mulch 72"	3

Exmark red touch up paint (spray paint - P/N 1-850337 - .6 oz liquid bottle - P/N 103-9140).

- Requires installation of Micro-Mulch accessory for proper mulching. Mulch kit P/N MK605 (60"), MK665 (66"), and MK725 (72").
- Apply Mobil HTS grease (P/N 103-5217 1.5 oz packet) (or a food-grade antiseize) between the spindles and bearings. DO NOT use a copper or nickel based antiseize.

UPPER FRAME GROUP



Item	Part No.	Description	Qty.
1	3256-23	Washer, 5/16 SAE	15
2	103-4906-03	Bar, Frame	4
3	3290-357	Nut, Whizlock 3/8-16.....	2
4	3256-24	Washer, 3/8 SAE	2
5	322-5	Screw, HH 5/16-18 x 1	15
6	323-7	Screw, HH 3/8-16 x 1 1/4	2
7	109-0471-03	Bracket, Hyd Tank	1
8	321-4	Screw, HH 1/4-20 x 3/4	2
9	3296-42	Nut, Nyloc 1/4-20	6
10	3256-2	Washer, 1/4 Std.....	4
11	32128-20	Nut, Whizlock 5/16-18.....	15
12	109-2365	Bumper.....	2

Item	Part No.	Description	Qty.
13	103-1479-03	Wld, Rear Bumper.....	1
14	3234-47	Screw, HH FLG 5/16-18 x 3/4.....	4
15	103-7627	Asm, Front Eng Cover W/Decals.....	1
16	103-6619-03	Support, Front Cover (RH).....	1
17	103-6620-03	Support, Front Cover (LH)	1
18	103-6624-03	Support, Rib Side	1
19	103-5686-03	Guard, Rear Muffler	1
20	109-0470-03	Wld, Air Deflector	1
21	321-6	Screw, HH 1/4-20 x 1.....	2
22	109-0471-03	Bracket, Hydraulic Tank	1
23	109-0089-03	Bracket, Hydraulic Tank	1

Exmark black touch up spray paint – gloss black.

FRONT FRAME GROUP

Item	Part No.	Description	Qty.
1▲	109-2072	Asm, Front Frame (60")	1
▲	109-2073	Asm, Front Frame (66")	1
▲	109-2074	Asm, Front Frame (72")	1
2	302-19	Zerk, 1/4-28 Straight	5
3	109-1903	Asm, Floorpan (103-8274-01) W/Decals	1
4	1-543509	Bearing Cone, Tapered Roller.....	4
5	103-2084	Asm, Lever (103-2083-03)W/Grip	1
6	1-633295	Grip, Lift Lever	1
7	103-9529-03	Arm Wldmt, Deck Lift	1
8	1-633325	Spring, Compression	1
9	3256-24	Washer, 3/8 SAE Flat	1
10	3296-39	Nut, Nyloc 3/8-16	4
11	32151-103	E-Ring.....	5
12	1-633068	Arm, Deck Lift	2
13	1-633889-01	Plate, Deck Lift.....	1
14	1-632899-01	Wld, Deck Lift Plate	1
15	1-633082	Bushing, Lift Lever	1
16	109-3193	Stop, Deck Height.....	1
17	323-13	Screw, 3/8-16 x 2 3/4	1
18	1-633097	Hitch Pin W/Lanyard.....	1
19	1-806005	Hairpin Cotter.....	1
20	323-9	Screw, 3/8-16 x 1 3/4	2
21	98-5975	Washer, 3/8 Disc Spring	12
22	3290-357	Nut, Whizlock 3/8-16.....	15
23	323-6	Screw, 3/8-16 x 1	1
24	323-7	Screw, 3/8-16x1 1/4	12
25	3256-29	Washer, 7/8 SAE Flat	4
26	1-633096	Rod, Deck Lift	2
27	3217-11	Nut, 5/8-11 Regular.....	6
28	1-633441	Swivel, Deck Mount	4

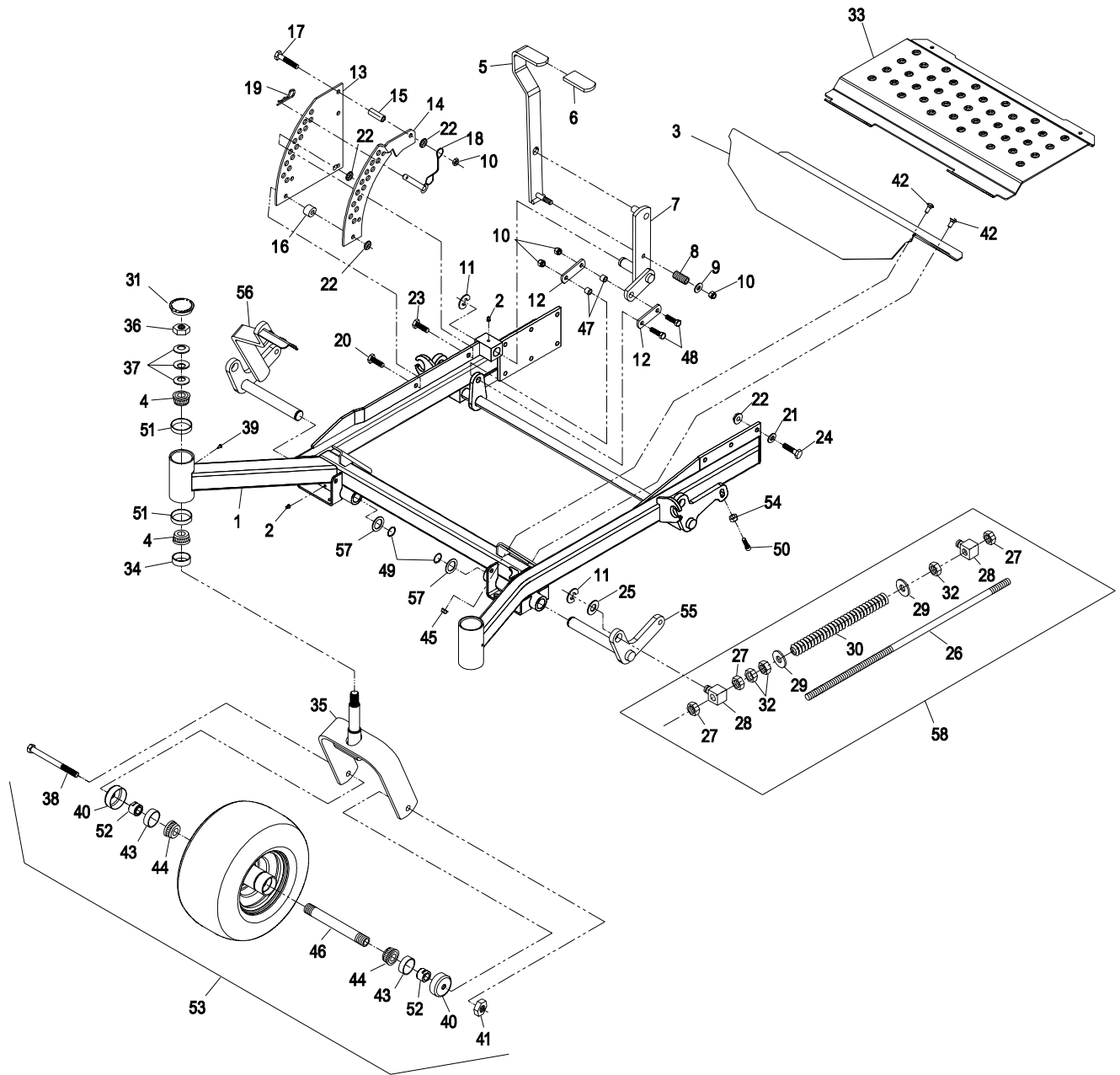
Item	Part No.	Description	Qty.
29	3256-7	Washer, 5/8 Std Flat	4
30	1-643015	Spring, Deck Support.....	2
31	103-4882	Cap, Grease	2
32	3218-6	Jam Nut, 5/8-11	6
33	109-1902	Asm, Floorpan, Liftout (103-8276-01) W/Decal.....	1
34	1-543511	Seal, Grease.....	2
35	103-1474-01	Caster Wldmt.....	2
36	3296-51	Nut, 3/4-10 Nyloc.....	2
37	1-633508	Washer, Spring Disk	6
38	325-39	Screw, 1/2-13 x 9 1/2.....	2
39	1-811010	Plug	2
40	103-2768	Guard, Seal	4
41	3296-23	Nut, 1/2-13 Nyloc.....	2
42	3230-1	Bolt, Carriage 5/16-18 x 3/4	4
43	103-0063	Seal, Bearing.....	4
44	1-633585	Bearing Cone.....	4
45	32128-20	Nut, Whizlock 5/16-18	4
46	103-5156	Axle, Caster	2
47	103-1918	Bushing	2
48	323-29	Screw, 3/8-16 x 1 3/8.....	2
49	32151-29	Ring, Retaining	2
50	3274-18	Screw, Socket HD5/16-18x1 1/4	2
51	1-543508	Bearing Cup, Tapered Roller	4
52+	103-3051	Spacer, Nut	4
53	103-3799	Asm, Caster Wheel (Semi-Pneumatic) ..	2
54	3218-2	Jam Nut, 5/16-18	2
55	103-9741-01	Weldmt, Front Lift Shaft (LH).....	1
56	103-9740-01	Weldmt, Front Lift W/Lever(RH)	1
57	1-523157	Washer, Spacer.....	2
58	103-2047	Asm, Deck Lift Spring.....	2

Exmark red touch up paint (spray paint - P/N 1-850337 - .6 oz liquid bottle - P/N 103-9140).

✚ Use Pro-Lock, Nut Type (P/N 1-840022, .5ml tube) on spacer nut, Item #52.

▲ Includes frame weldment plus items #2, #31, #34, #39, #49, #51, #55, #56 and #57.

FRONT FRAME GROUP



MAIN FRAME GROUP

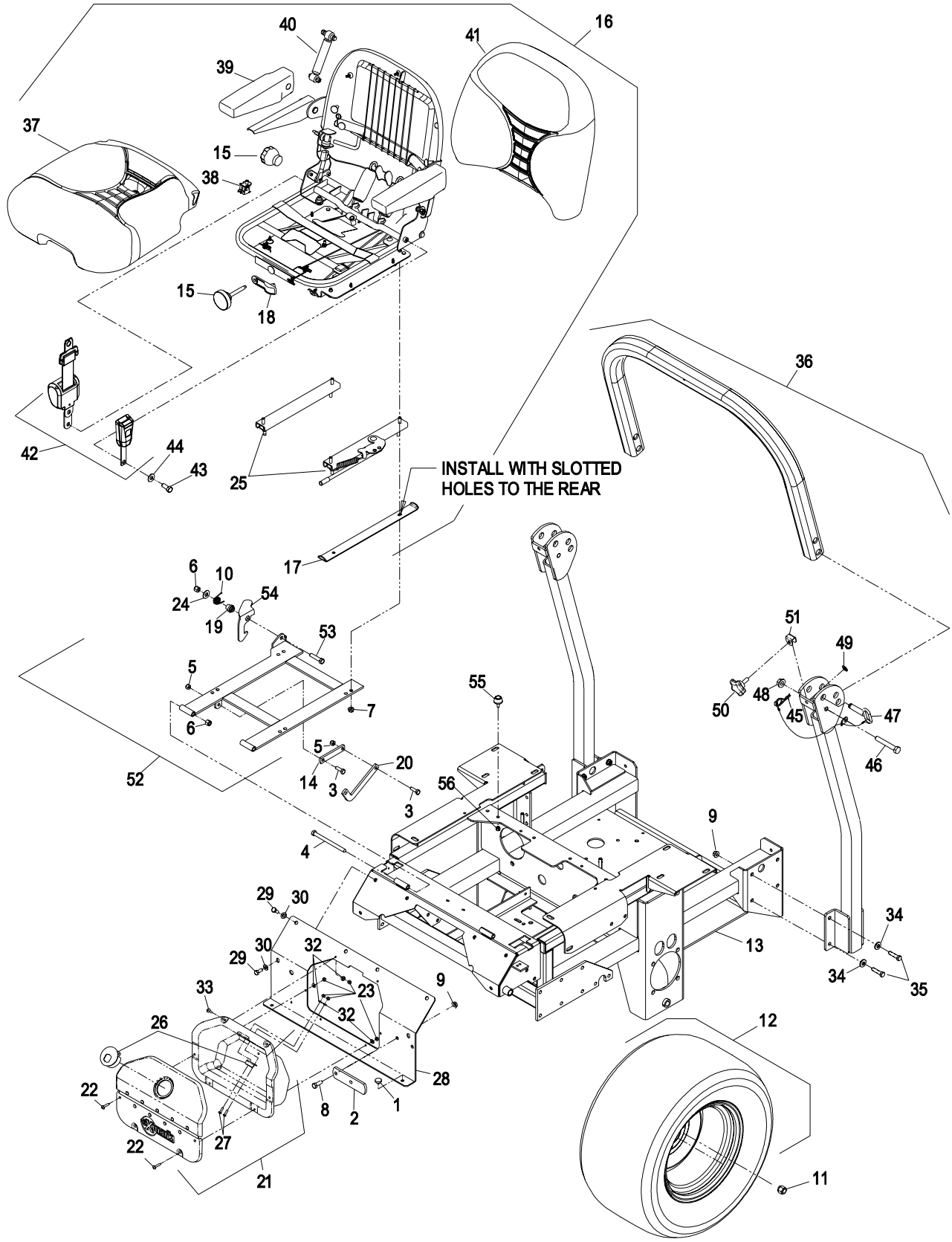
Item	Part No.	Description	Qty.
1	1-513658	Bumper.....	2
2	1-633964-03	Stop, Park Brake.....	1
3	322-5	Screw, HH 5/16-18 x 1.....	4
4	323-39	Screw, HH 3/8-16 x 5.....	2
5	3296-29	Nut, Nyloc 5/16-18.....	4
6	3296-39	Nut, Nyloc 3/8-16.....	3
7	32128-20	Nut, Whizlock 5/16-18.....	4
8	323-6	Screw, HH 3/8-16 x 1.....	2
9	3290-357	Nut, Whizlock 3/8-16.....	10
10	103-5519	Spring.....	1
11	242-50	Nut, Lug 1/2-20.....	8
12	109-3157	Asm, Wheel & Tire.....	2
	103-4963	Tire, 26x12-12 4 Ply.....	2
	109-3156	Wheel.....	2
13	109-0061	Asm, Engine Deck (103-9152-03) W/Decals.....	1
14	103-5161	Link, XP Seat Stop.....	2
15	107-1881	Kit, Knob.....	1
16▲	LSSEAT	Seat, Suspension.....	1
	109-3343	Kit, Spring and Saddle.....	1
	109-3344	Kit, Back Panel.....	1
	109-3345	Kit, Weight Adjust.....	1
17	1-633872-03	Stop, Seat.....	2
18	107-1885	Kit, Weight Indicator.....	1
19	107-0075	Bushing.....	1
20	109-1357	Link, XP Lower Seat Stop.....	2
21	103-3666	Asm, Cubby.....	1
22	32122-28	Screw, Truss HD #10-24 x 1.....	4
23	3296-2	Nut, Nyloc #10-24.....	8
24	3256-4	Washer, 3/8 Std.....	1
25	107-1880	Kit, Seat Track.....	1
26	103-3790	Latch, Cubby Door.....	1

Item	Part No.	Description	Qty.
27	3290-500	Screw, PPH #10-24 x 5/8.....	2
28	109-2075	Asm, Console(103-8273-03) W/Decals..	1
29	322-3	Screw, HH 5/16-18 x 3/4.....	6
30	3256-23	Washer, 5/16 SAE.....	6
31+	Briggs & Stratton	P/N 492932 Oil Filter (not shown).....	1
32	3256-14	Washer, #10 Std.....	8
33	1-803075	Screw, Truss Head #10-24 x 3/4.....	2
34	98-5975	Washer, Spring Disk 3/8.....	8
35	323-6	Screw, HH 3/8-16 x 1.....	8
36◆	109-0060	Kit, XP Rops.....	1
37	107-1883	Kit, Bottom Cushion.....	1
38	107-1886	Kit, Switch.....	1
39	107-1887	Kit, Armrest.....	1
40	107-1884	Kit, Shock Absorber.....	1
41	107-1882	Kit, Back Cushion.....	1
42	110-0883	Kit, Seat Belt.....	1
43	3212-4	Screw, HH 7/16-20 x 1.0.....	2
44	1-603610	Washer, Spring Disk 7/16.....	2
45	107-3155	Cotter, Hair Pin Double Loop.....	2
46	325-13	Screw, HH 1/2-13 x 3 1/4.....	2
47■	103-4553	Asm, Rops Fold Pin.....	2
48	32128-23	Nut, Hex Flange Side Lock 1/2-13.....	2
49	107-3154	Nut, Push 3/8-16.....	2
50	106-0887	Knob.....	2
51	107-3124	Clip.....	2
52	109-1813	Asm, Seat Frame.....	1
53	323-9	Screw, HH 3/8-16 x 2.....	1
54	103-5520	Latch, Seat.....	1
55	109-2365	Bumper.....	2
56	3296-42	Nut, Nyloc 1/4-20.....	2

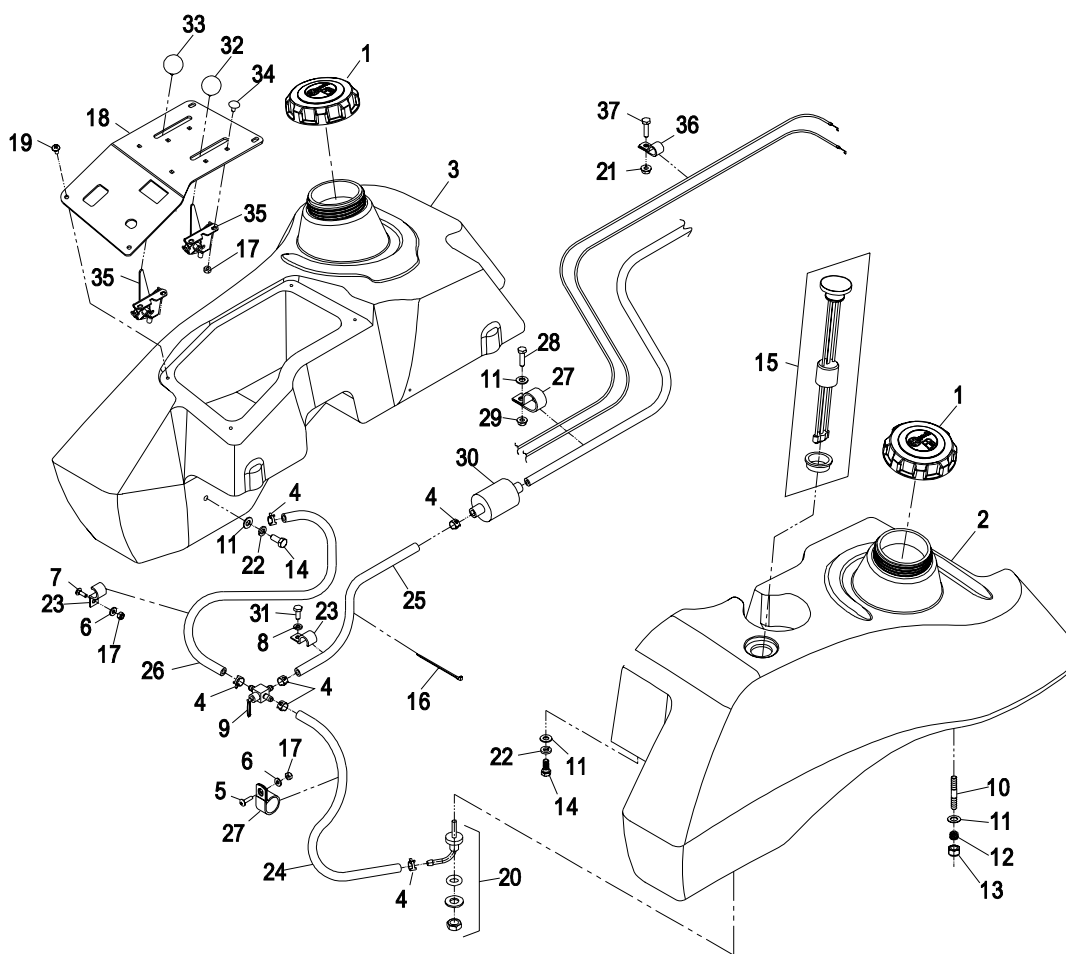
Exmark black touch up spray paint – Gloss black

- Includes ROPS fold pin plus hairpin, item #45.
- ◆ Rollover protection frame is serviced as a complete assembly only. Includes complete ROPS frame, mounting hardware, fold pivot and locking hardware, seat frame assembly item #52, and seat belt assembly item #42.
- + Refer to Engine Owner's Manual.
- ▲ Includes seat assembly plus tracks item #25, seat stops item #17, and seat wiring harness (item #17 pg. 19). Does not include seat belt assembly item #42.

MAIN FRAME GROUP



FUEL GROUP



Item	Part No.	Description	Qty.
1	109-0346	Cap, Fuel Tank	2
2*	103-7510	Asm, Fuel Tank (LH).....	1
3*	103-7511	Asm, Fuel Tank (RH)	1
4	1-303077	Clamp, Fuel Line.....	6
5	1-803075	Screw, Truss HD #10-24 x 3/4	1
6	3256-14	Washer, #10 Std	2
7	1-807533	Bolt, Carriage #10-24 x 5/8	1
8	1-805004	Washer, Lock 1/4 Heavy	1
9	1-633347	Valve, Fuel.....	1
10◆	1-633023	Stud, Fuel Tank	6
11	3256-23	Washer, Flat SAE 5/16	11
12	1-633349	Spring, Fuel Tank.....	6
13	3296-47	Nut, Nyloc 5/16-18 Thin	6
14	322-3	Screw, 5/16-18 x 3/4	4
15	103-6564	Kit, Fuel Gauge.....	1
16	1-303335	Tie, Cable 7 15/16 (Large)	1
17	3296-2	Nut, Nyloc #10-24	6
18	103-7512	Asm, Control Panel (103-6945-03) W/Decals	1
19▽	109-2661	Screw, PPH #10-24 x 1/2.....	4

Item	Part No.	Description	Qty.
20★	103-2605	Fitting, Fuel Bulkhead.....	2
	103-2784	O-Ring	1
21	32128-33	Nut, Whizlock 1/4-20	1
22	1-805005	Washer, Lock 5/16.....	4
23	103-1193	Clip, Loom Half	2
24	109-0275	Hose, Fuel Line 32"	1
25	109-0305	Hose, Fuel Line 13 3/4"	1
26	109-0302	Hose, Fuel Line 24"	1
27	1-643312	Clip, Loom	2
28	322-4	Screw, HH 5/16-18 x 7/8.....	1
29	32128-20	Nut, Whizlock 5/16-18	1
30◇	Briggs & Stratton	P/N 695327 Fuel Filter.....	1
31	321-3	Screw, HH 1/4-20 x 5/8.....	1
32	1-513592	Knob, Red (Throttle)	1
33	1-513593	Knob, Black (Choke).....	1
34	1-807513	Bolt, Carriage #10-24 x 1/2	4
35	103-4091	Cable, Throttle	2
36	1-513762	Clip, Loom .50	1
37	321-6	Screw, HH 1/4-20 x 1.....	1

◆ Use Pro-Lock, Retaining type (Part No. 1-840023), .5cc tube on stud threads going into the tank.

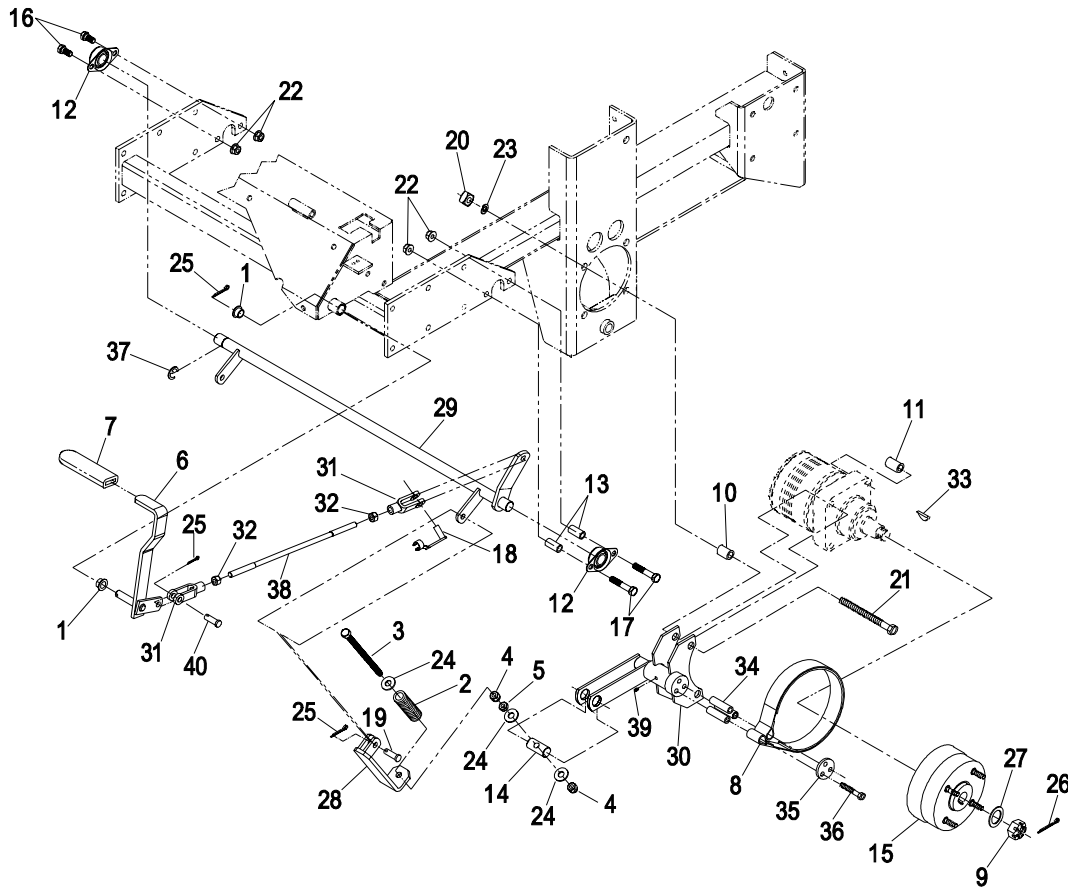
◇ Refer to Engine Owner's Manual.

▽ Snug fit only on slotted holes, **Do Not Overtighten**, tank must be able to expand.

★ Use Prolock, Nut type (Part No. 1-840022), .5ml tube on fuel fitting.

* Includes tank, cap, fittings, and studs. LH tank also includes fuel gauge.

PARK BRAKE GROUP



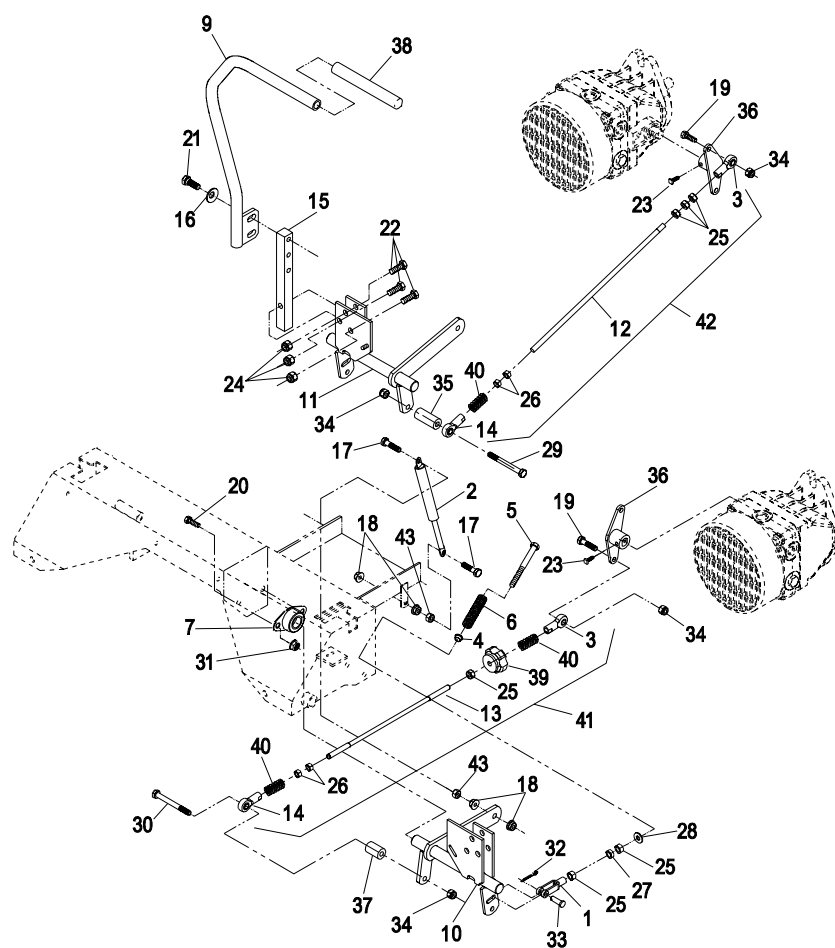
Item	Part No.	Description	Qty.
1	1-513140	Bushing.....	2
2●	1-633454	Spring, Brake Rod.....	2
■	109-2230	Spring, Brake Rod.....	2
3	323-58	Bolt, HH 3/8-16 x 6 Tap.....	2
4	3296-39	Nut, Nyloc 3/8-16.....	4
5	3218-3	Nut, Jam 3/8-16.....	2
6	103-0197	Asm, Lever (103-0201-03) W/Grip.....	1
7	1-633268	Grip, Brake Lever.....	1
8	103-9761	Band, Brake.....	2
9	1-809036	Nut, Slotted 1-20.....	2
10	1-633380	Spacer (Short)(60").....	4
	1-633060	Spacer (Short)(66" & 72").....	4
11	1-633382	Spacer (Long)(60").....	4
	1-633062	Spacer (Long)(66" & 72").....	4
12	1-633102	Bearing, Flange.....	2
13	103-0051	Spacer, Brake Retainer.....	2
14	1-633144	Pin, Trunion.....	2
15	103-0590	Asm, Wheel Hub W/Studs & Drum.....	2
◆	1-633926	Studs, Wheel.....	8
16	323-4	Screw, HH 3/8-16 x 3/4.....	2
17	323-10	Screw, HH 3/8-16 x 2.....	2
18	103-2399	Pin, Clevis Spring 3/8.....	1
19	1-808284	Pin, Clevis 3/8 x 1.....	2

Item	Part No.	Description	Qty.
20	103-0131	Nut, Square 1/2-13.....	8
21	325-17	Screw, HH 1/2-13 x 4 (60").....	8
	325-20	Screw, HH 1/2-13 x 6 (66" & 72").....	8
22	3290-357	Nut, Whizlock 3/8-16.....	4
23	3253-7	Washer, Lock 1/2.....	8
24	3256-4	Washer, 3/8 Std.....	6
25	3272-10	Pin, Cotter 1/8 x 3/4.....	4
26	1-806800	Pin, Cotter 9/64 x 1 1/2.....	2
27	1-523157	Washer, Spacer.....	2
28	103-1117-03	Lower Brake Linkage.....	2
29	103-5243-03	Brake Shaft.....	1
30	103-0844-03	Bracket, Brake (60").....	2
	103-0810-03	Bracket, Brake (66" & 72").....	2
31	1-633131	Yoke.....	2
32	3219-3	Nut, Hex 3/8-24.....	2
33	3257-42	Key, Woodruff 5/16 x 1.....	2
34	103-0384	Spacer.....	6
35	103-0374	Retainer, Brake Band.....	2
36	322-9	Screw, HH .312-18 x 1.75.....	6
37	32151-48	E-Ring.....	1
38	103-1708	Rod, Brake.....	1
39	1481	Zerk, 45° 1/4-28.....	2
40	1-808285	Pin, Clevis 3/8 x 1 1/8.....	1

Exmark black touch up spray paint – Gloss black

- ◆ Not Illustrated
- This component is required for units with S/N 603,518 and lower.
- This component is required for units with S/N 603,519 and higher.

MOTION CONTROL GROUP



Item	Part No.	Description	Qty.
1	1-303105	Yoke	2
2	103-4079	Damper	2
3	1-543017	Balljoint (RH).....	2
4	1-603735	Bushing, Nylon.....	2
5	1-603737	Bolt, Neutral Return	2
6	1-603807	Spring	2
7	1-633102	Bearing, Flanged.....	4
8*	103-3457	Asm, Lever W/Grip (LH).....	1
9	103-3458	Asm, Lever W/Grip (RH)	1
10	103-4787	Wld, Motion Control Bracket (LH).....	1
11	103-4788	Wld, Motion Control Bracket (RH).....	1
12	103-5182	Link, Hydro Connecting (RH)	1
13	103-3065	Link, Hydro Connecting (LH)	1
14	1-633152	Balljoint (LH)	2
15	103-0407	Arm, Control Shaft	2
16	98-5975	Washer, Spring Disk 3/8	4
17	1-403180	Screw, HH 5/16-18 x 1 1/4 Sp.....	4
18	32128-20	Nut, Whizlock 5/16-18.....	8
19	322-6	Screw, HH 5/16-18 x 1 1/4	2
20	323-4	Screw, HH 3/8-16 x 3/4	8
21	323-6	Screw, HH 3/8-16 x 1	4
22	323-9	Screw, HH 3/8-16 x 1 3/4	6

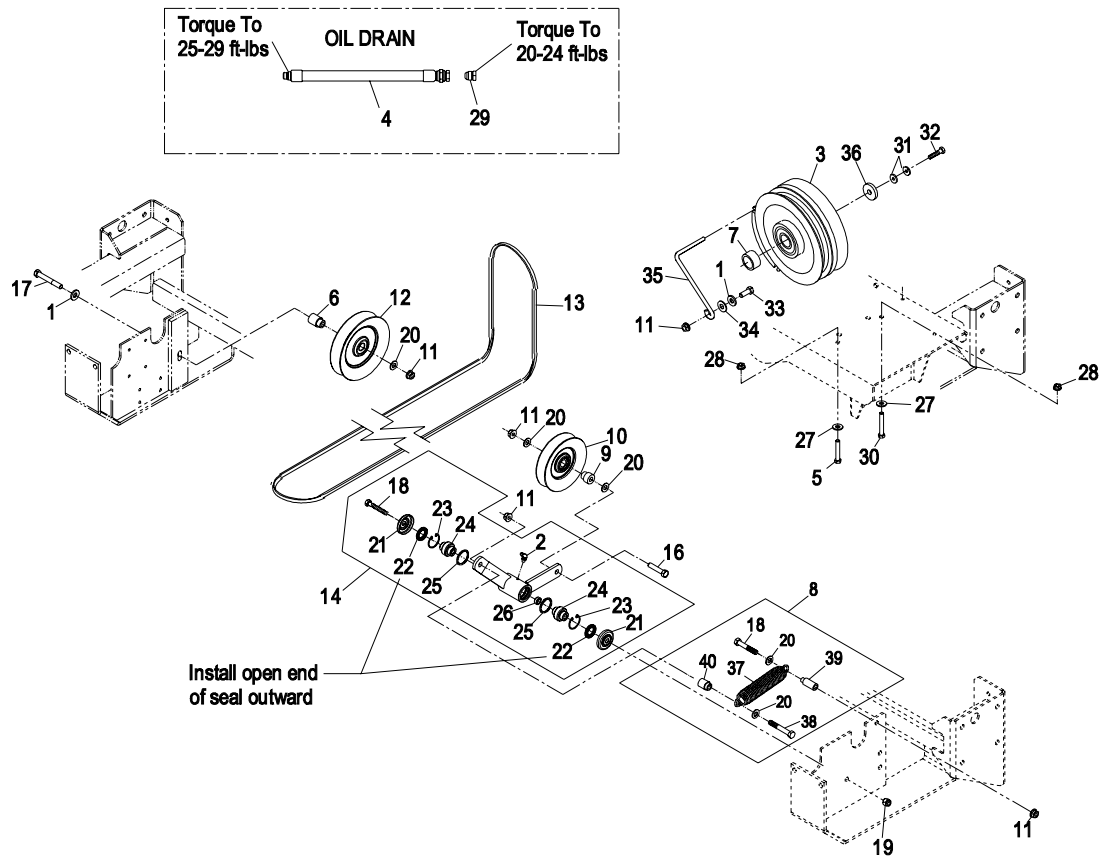
Item	Part No.	Description	Qty.
23◇	1-803022	Setscrew, 5/16-18 x 5/8	2
24	3296-39	Nut, Nyloc 3/8-16.....	6
25	3219-2	Nut, Hex 5/16-24.....	8
26	1-804524	Nut, Hex 5/16-24 (LH).....	4
27	3220-2	Nut, Jam 5/16-24	2
28	3256-2	Washer, 1/4 Std.....	2
29	322-14	Screw, HH 5/16-18 x 3.....	1
30	322-12	Screw, HH 5/16-18 x 2 1/2.....	1
31	3290-357	Nut, Whizlock 3/8-16	8
32	3272-5	Pin, Cotter 3/32 x 1/2	2
33	1-808280	Pin, Clevis 5/16 x 1	2
34	3296-29	Nut, Nyloc 5/16-18	4
35	103-5192	Spacer, Hyd Control (RH)	1
36	103-0194-03	Wld, Pump Control Arm	2
37	103-1361	Spacer, Hyd Control (LH).....	1
38	103-3456	Grip, Motion Control Handle.....	2
39	103-3060	Knob, Tracking	1
40	1-323245	Spring, Compression	3
41	103-3062	Asm, Tracking Rod Linkage (LH).....	1
42	103-5190	Asm, Tracking Rod Linkage (RH)	1
43	3217-6	Nut, Hex 5/16-18.....	4

Exmark black touch up spray paint – Gloss black.

* Not illustrated.

◇ Use Pro-Lock, Nut Type (P/N 1-840022, .5ml tube) on setscrews.

ENGINE DECK GROUP



Item	Part No.	Description	Qty.
1	98-5975	Washer, Spring Disc 3/8	2
2	302-40	Zerk, 90° 1/4-28	1
3	103-3244	Kit, Clutch	1
	103-3012	Kit, Brake Pole Module	1
4	109-4324	Hose, Oil Drain W/Plug	1
5	322-10	Screw, HH 5/16-18 x 2	3
6	103-2627	Bushing, Idler	1
7	103-4579	Spacer	1
8●	109-3766	Kit, Mule Idler Spring	1
9	1-603496	Bushing, Idler	1
10	1-603805	Pulley, Idler	1
11	3290-357	Nut, Whizlock 3/8-16	5
12	1-633166	Pulley, Idler	1
13	103-6506	Belt, Mule Drive	1
14★	103-5695	Kit, Idler Arm (103-4593-03) W/Bearings	1
15	323-11	Screw, HH 3/8-16 x 2 1/4	1
16	323-9	Screw, HH 3/8-16 x 1 3/4	1
17	323-13	Screw, HH 3/8-16 x 2 3/4	1
18	1-800805	Screw, HH 3/8-16 x 3 1/2 Gr8	2
19	3296-39	Nut, Nyloc 3/8	1

Item	Part No.	Description	Qty.
20	3256-24	Washer, 3/8 SAE	5
21	103-2916	Guard, Top	2
22	103-3506	Seal, Single Lip	2
23	32120-10	Ring, Retaining	2
24	103-3504	Bearing, Spherical	2
25	106-7159	O-ring	2
26	103-5677	Spacer	1
27	1-303334	Washer, Spring Disk 5/16	4
28	32128-20	Nut, Whizlock 5/16-18	4
29	109-1012	Plug	1
30	322-11	Screw, HH 5/16-18 x 2 1/4	1
31	1-603610	Washer, Spring Disk 7/16	2
32▲	3212-6	Screw, HH 7/16-20 x 1 1/2	1
33	323-6	Screw, 3/8-16 x 1	1
34	3256-4	Washer, 3/8 Std	1
35	109-0722	Rod, Belt	1
36	1-543610	Washer	1
37	103-8599	Spring	1
38	323-10	Screw, HH 3/8-16 x 2	1
39	109-3141	Spacer, Spring Mount	1
40	1-633456	Bushing, Idler	1

Exmark black touch up spray paint - gloss black.

★ 103-5695 kit includes components shown and nyloc nut item #19.

▲ Use Pro-Lock, Nut Type (P/N 1-840022, .5ml tube) on clutch bolt.

● Kit includes items #11(2), #15, #20, #37, #38, #39 & #40.

HYDRAULIC GROUP

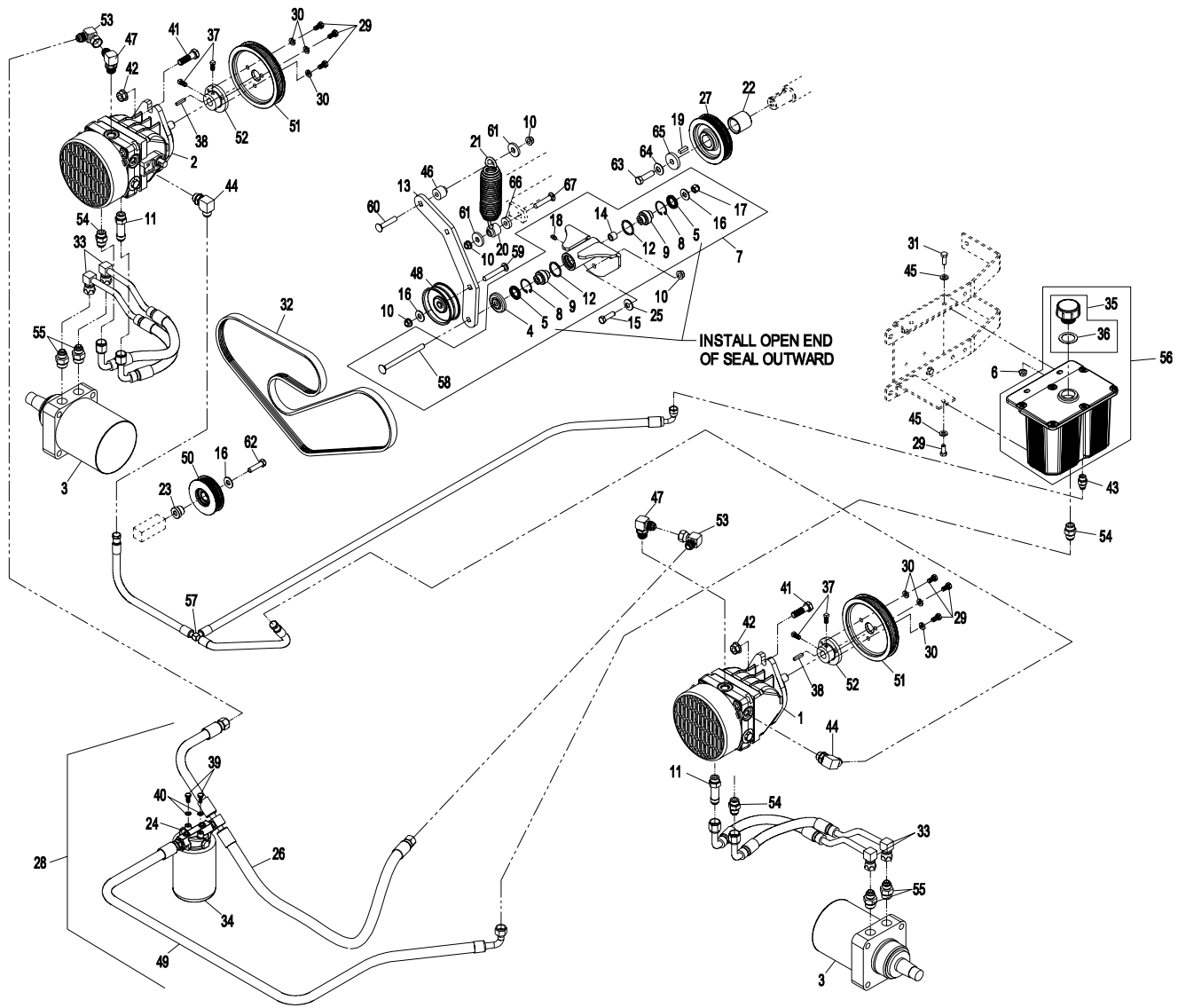
Item	Part No.	Description	Qty.
1	103-6565	Pump, Hydro (LH)	1
2	103-6566	Pump, Hydro (RH)	1
	100-6110	Kit, Seal Service 21L.....	1
	103-2669	Kit, Input Shaft 21L	1
	103-2670	Kit, Thrust Bearing 21L	1
	103-2668	Kit, Cylinder Block 21L.....	1
	103-2667	Kit, Valve Plate 21L.....	1
	103-7488	Fan, PW Pump Cooling	1
	103-7489	Guard, PW Pump Fan	1
3	103-2489	Motor, Wheel Drive	2
	103-6994	Kit, Seal	1
4	103-2916	Guard, Top.....	1
5	103-3506	Seal, Single Lip.....	2
6	32128-20	Nut, Whizlock 5/16-18.....	2
7	103-7613	Kit, Pump Idler (103-6248-03) W/Bearings	1
8	32120-10	Ring, Retaining	2
9	103-3504	Bearing, Spherical.....	2
10	3290-357	Nut, Whizlock 3/8-16.....	6
11	103-1940	Adaptor, Straight Long	2
	1-603992	O-Ring (37° Flare #8).....	1
	1-603920	O-Ring (SAE #8).....	1
12	106-7159	O-ring.....	2
13	103-4573-03	Tightener.....	1
14	1-603401	Spacer	1
15	323-7	Screw, HH 3/8-16 x 1 1/4	3
16	3256-4	Washer, 3/8 Std.....	3
17	3296-39	Nut, Nyloc 3/8-16	1
18	302-19	Zerk, 1/4-28 Str.....	1
19	10-7070	Key, Machine 1/4 x 1/4 x 7/8.....	1
20	103-1575	Spacer, Fan Pump Spring.....	1
21	103-3330	Spring	1
22	103-6226	Spacer, Engine Sheave	1
23	103-4566	Spacer, Lower Frame Idler.....	1
24	103-2259	Filter Head	1
25	98-5975	Washer, Spring Disk 3/8	3
26	103-6498	Hose, Pump Inlet	1
27	103-4718	Sheave, Engine.....	1
28*	109-0088	Asm, Charge Hose.....	1
29	322-3	Screw, HH 5/16-18 x 3/4	7
30	1-805005	Washer, Lock 5/16 Heavy	6
31	322-4	Screw, HH 5/16-18 x 7/8	2
32	103-4569	Belt, Hydro Pump Drive.....	1
33	103-4680	Hose, Wheel Motor (60").....	4
	103-4679	Hose, Wheel Motor (66" & 72")	4

Item	Part No.	Description	Qty.
34	103-2146	Element, Hydraulic Oil Filter	1
35	103-7615	Cap, W/Gasket	1
36	103-1949	Gasket, Tank Cap.....	1
37◇	1-803050	Setscrew, 5/16-18 x 3/4	4
38	103-2739	Key, 5mm X 5mm x 32mm	2
39	321-3	Screw, HH 1/4-20 x 5/8.....	2
40	1-805004	Washer, Lock 1/4 Heavy.....	2
41	325-5	Screw, HH 1/2-13 x 1 1/4.....	4
42	32128-49	Nut, Whizlock 1/2-13	4
43▽	103-2156	Adaptor, Straight.....	1
	103-1020	O-Ring (37° Flare #6)	1
	1-603921	O-Ring (SAE #6).....	1
44	103-1014	Elbow, 90°	2
	1-603920	O-Ring (SAE #8).....	1
45	3256-23	Washer, 5/16 SAE	3
46	103-7693	Spacer	1
47	103-2153	Elbow,90°	2
	1-603992	O-Ring (37° Flare #8)	1
	1-603920	O-Ring (SAE #8).....	1
48	103-4567	Sheave, Hydro Pump Idler.....	1
49	109-0091	Asm, Filter Inlet Hose	1
50	103-4728	Asm, Lower Frame Idler	1
51	103-4712	Sheave, Hydro Pump.....	2
52	103-1471	Hub, Hydro Pump Sheave	2
53	103-2315	Elbow, 90°	2
	1-603992	O-Ring (37° Flare #8)	1
54▽	1-603990	Adaptor, Straight.....	3
	1-603992	O-Ring (37° Flare #8)	1
	1-603920	O-Ring (SAE #8).....	1
55	1-603991	Adaptor, Straight.....	4
	1-603992	O-Ring (37° Flare #8)	1
	1-603919	O-Ring (SAE #10).....	1
56	109-0582	Asm, Hydraulic Reservoir W/Decals	1
57	109-0087	Asm, Case Drain Hose	1
58	9000784	Bolt, Carriage 3/8-16 x 5	1
59	3231-31	Bolt, Carriage 3/8-16 x 2 1/2	1
60	3231-5	Bolt, Carriage 3/8-16 x 1 3/4	1
61	1-373034	Washer.....	2
62◇	323-8	Screw, HH 3/8-16 x 1 1/2.....	1
63	3212-6	Screw, HH 7/16-20 x 1 1/2.....	1
64	1-603610	Washer, Spring Disk 7/16	1
65	1-543610	Washer.....	1
66	103-3186	Spacer	1
67	3231-40	Bolt, Carriage 3/8-16 x 2 1/4	1
68	103-7615	Kit, Hydraulic Res. Cap W/Gasket	1

Exmark black touch up spray paint – gloss black.

- ▽ Use Teflon pipe sealant on pipe threads in reservoir.
- ◇ Use Prolock, Nut Type (P/N 1-840022, .5ml tube) on setscrews.
- * Charge hose assembly includes items 49, 26, & 24 only.

HYDRAULIC GROUP



DECAL GROUP

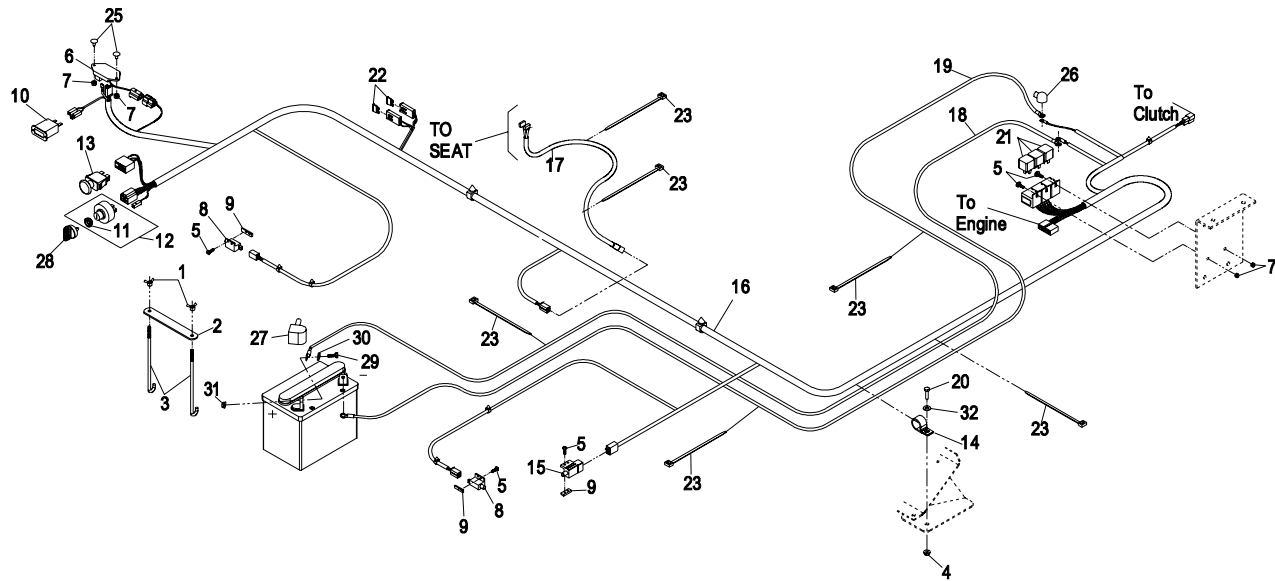
Item	Part No.	Description	Qty.
1	109-3148	Decal, Bolt Torque	1
2	109-2113	Decal, Triton	1
3	98-5954	Decal, Missing Cover	2
4	1-513742	Decal, No Step.....	2
5	103-6700	Decal, Relay	1
6	103-0262	Decal, Fuel Valve.....	1
7	109-2219	Decal, Belt Routing	1
8	109-0872	Decal, Baffle Adjustment.....	1
9	1-523552	Decal, Hyd Tank / Hot Surface.....	1
10	1-513746	Decal, Muffler.....	1
11	1-513748	Decal, Guard.....	1
12	103-1798	Decal, Throttle	1
13	103-4930	Decal, Choke	1
14	107-2102	Decal, Folding ROPS.....	1
15	1-633706	Decal, Deck Height	1
16	103-5881	Decal, Rotating Devices.....	1
17	1-303508	Decal, Discharge Warning	1

Item	Part No.	Description	Qty.
18	103-6936	Decal, Belt Routing	1
19	103-7616	Decal, Ignition / PTO	1
20	103-4574	Decal, Exmark Logo	1
21	109-1399	Decal, Anti-Scalp	1
22	107-2112	Decal, Danger Slope.....	1
23	103-7474	Decal, Lazer XS Model	1
24	103-7218	Decal, Pump Fan Warning.....	1
25	109-1921	Decal, Check Service	1
26	109-1214	Decal, Park Brake.....	1
27	1-403005	Decal, Danger.....	2
28	109-1215	Decal, Cutting Height.....	1
29	109-1803	Decal, Triton 60"	1
30	109-1804	Decal, Triton 66"	1
31	109-1805	Decal, Triton 72"	1
32	107-9866	Decal, Top Console	1
	103-7490	Kit, Decal XS	1

DECAL GROUP



ELECTRICAL GROUP

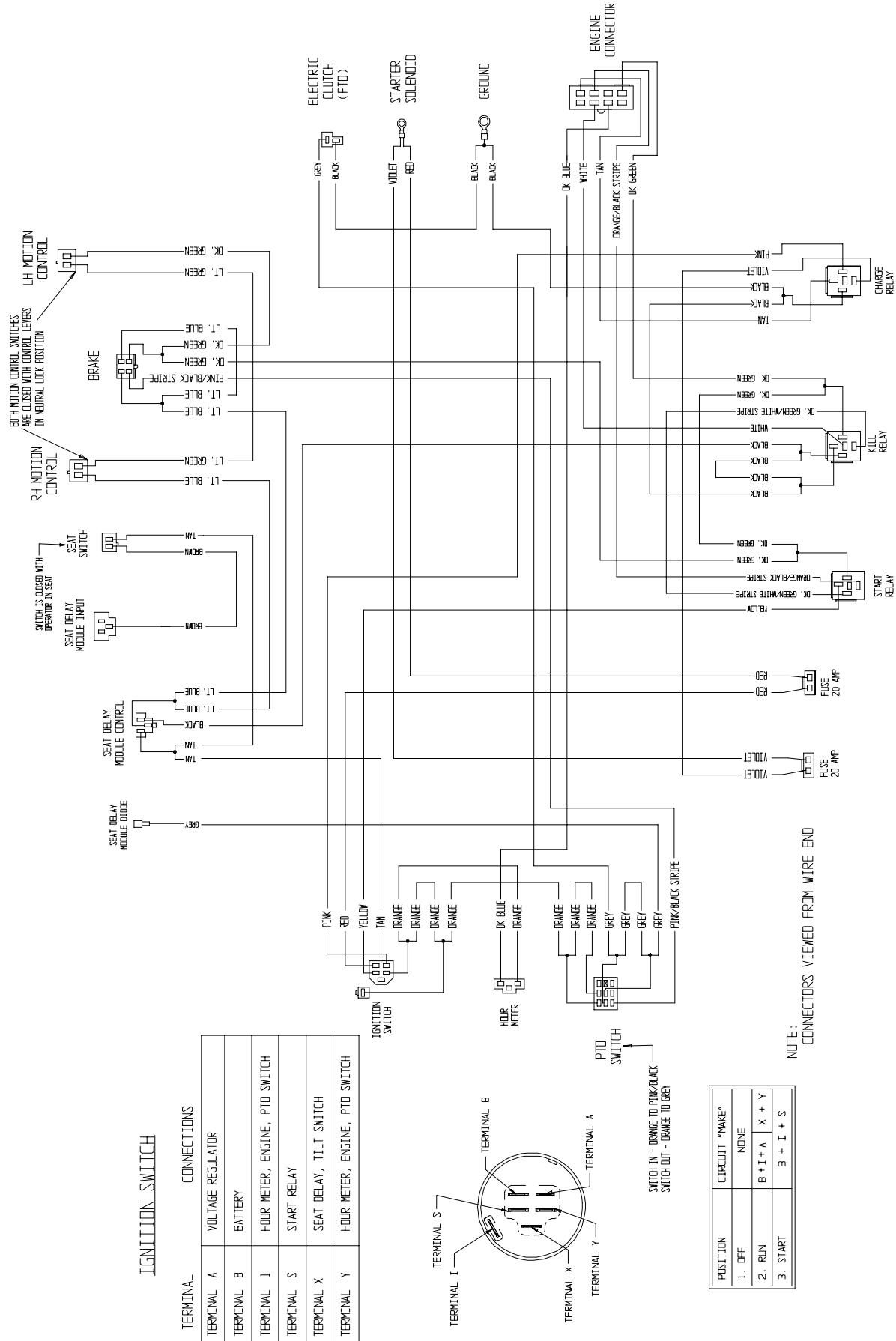


Item	Part No.	Description	Qty.
1	1-543792	Wingnut, Nyloc 1/4-20.....	2
2	107-9277-03	Strap, Holddown	1
3	1-633651	Bolt, Holddown.....	2
4	32128-20	Nut, Whizlock 5/16-18.....	1
5	3290-500	Screw, PPH #10-24 x 5/8.....	8
6	103-5218	Module, Seat Delay.....	1
7	3296-2	Nut, Nyloc #10-24	4
8	1-513051	Switch, Drive Lever N.O.....	2
9	1-633181	Plate, Tapped	3
10	1-513374	Meter, Hour.....	1
11	103-0498	Nut, Ignition Switch	1
12	109-4736	Asm, Switch W/Nut.....	1
13	103-5221	Switch, PTO.....	1
14	1-643312	Clip, Loom	1
15	1-633111	Switch, Brake N.O./N.C.	1
16◆	109-0561	Harness, Wiring.....	1

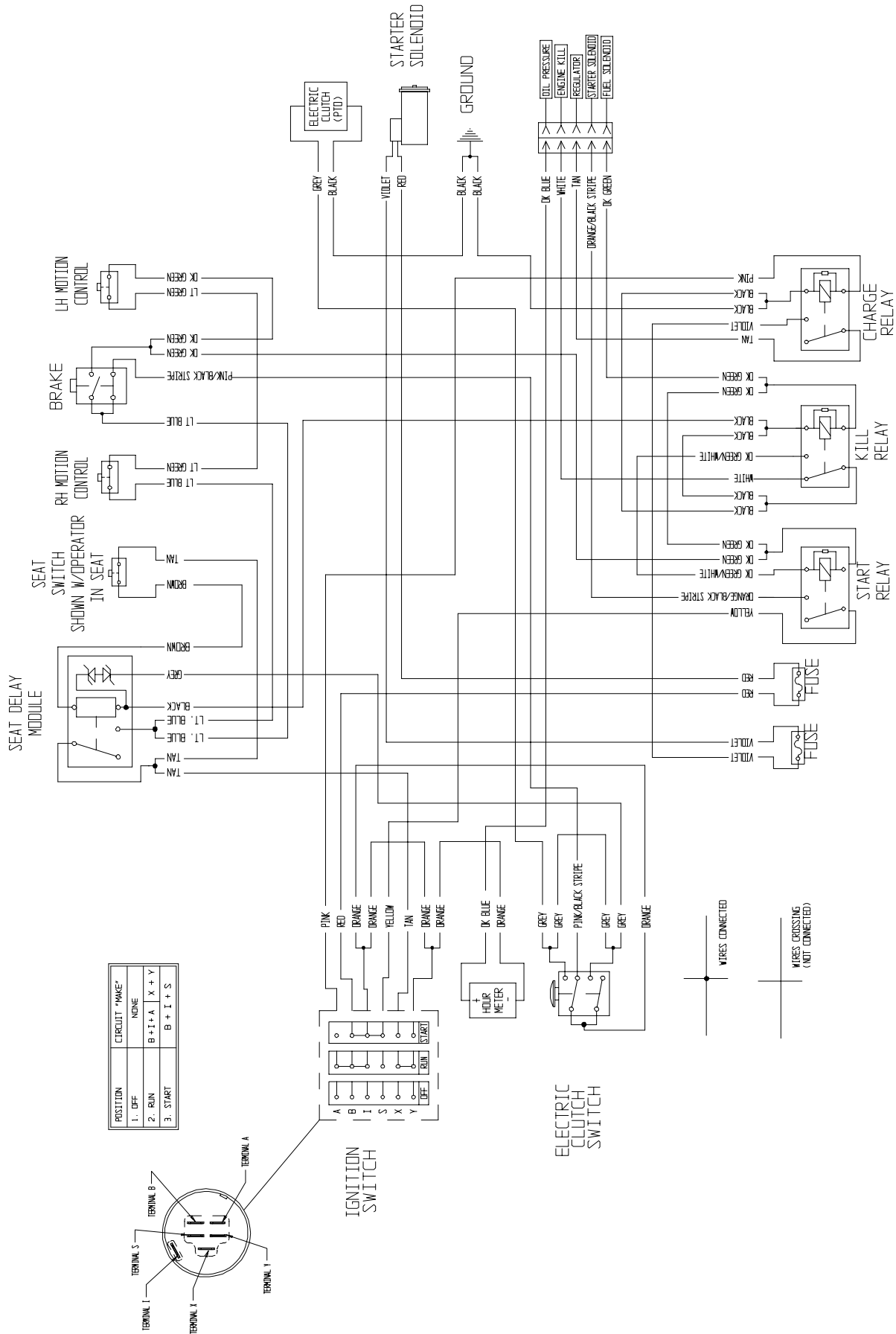
Item	Part No.	Description	Qty.
17◆	103-1227	Harness, Seat.....	1
18	1-633307	Cable, Ground (-).....	1
19	1-523279	Cable, Battery (+)	1
20	322-4	Screw, HH 5/16-18 x 7/8.....	1
21	1-643275	Relay 12V	3
22	1-816001	Fuse, 20 Amp	2
23	1-303335	Tie, Cable 7 15/16 (Large)	6
25	1-807513	Bolt, Carriage #10-24 x 1/2.....	2
26	1-543393	Insulator, Solenoid (+).....	1
27	1-543391	Insulator, Battery	1
28	103-2106	Key, Exmark Logo	1
	1-603511	Key, Ignition.....	1
29	321-4	Screw, HH 1/4-20 x 3/4.....	2
30	3256-2	Washer, 1/4 Std.....	2
31	32128-33	Nut, Whizlock 1/4-20	2
32	3256-23	Washer, 5/16 SAE.....	1

◆ Use dielectric grease on all wiring harness connectors.

ELECTRICAL DIAGRAM



ELECTRICAL LOGIC SCHEMATIC



SERVICE RECORD

Date	Description of Work Done	Service Done By

SEE EXMARK'S COMPLETE LINE OF ACCESSORIES

RIDING ACCESSORIES

CUSTOM RIDE SEAT SUSPENSION SYSTEM
DECK LIFT ASSIST KIT
HITCH KIT
LIGHT KIT
MICRO-MULCH SYSTEM
ROLL OVER PROTECTION SYSTEM (ROPS)
SNOW BLADE
SUN SHADE
TRASH CONTAINER
TURF STRIPER
ULTRA VAC COLLECTION SYSTEM
ULTRA VAC QUICK DISPOSAL SYSTEM

WALK BEHIND ACCESSORIES

GRASS CATCHER
MICRO-MULCH SYSTEM
STEERABLE SULKY
SULKY HITCH KIT
TURF STRIPER
STANDON

Check us out on the Web:

www.exmark.com

© 1997-2006 EXMARK MFG. CO. INC.
INDUSTRIAL PARK BOX 808
BEATRICE, NE 68310

PART NO. 109-4570 Rev. A
(402) 223-6300
FAX (402) 223-5489

ALL RIGHTS RESERVED

PRINTED IN U.S.A.

