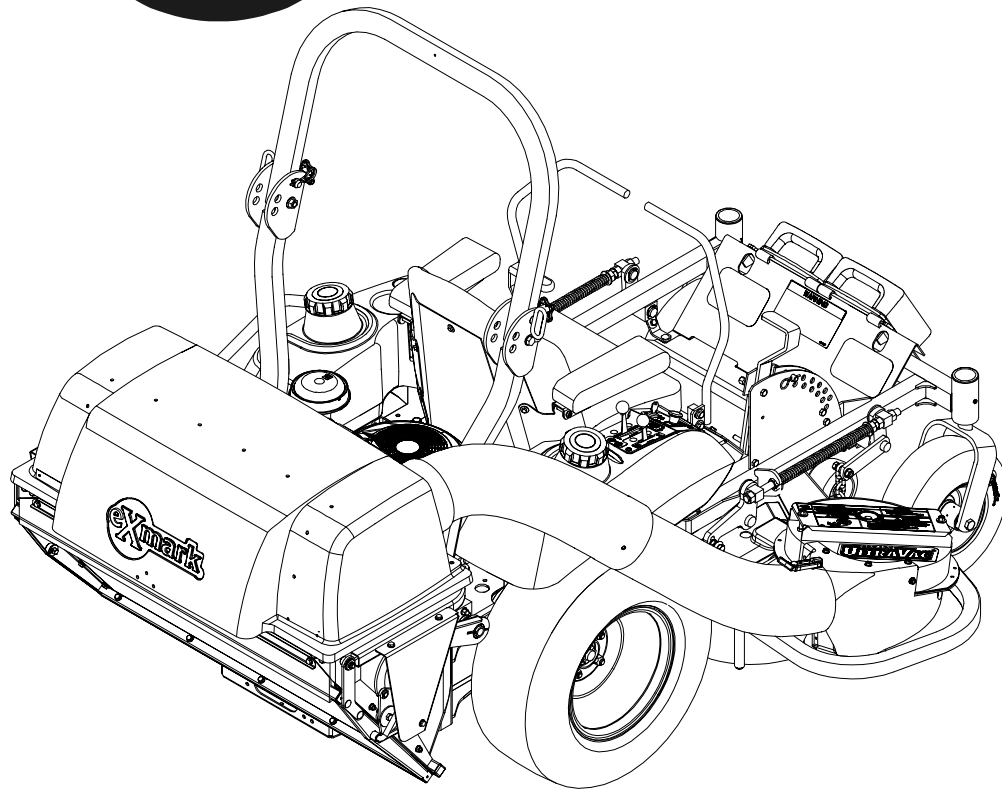


For Serial Nos.
600,000 & Higher



PARTS MANUAL

ULTRA VACTM QDS[®] LAZER Z[®] HP MODELS

CONGRATULATIONS on the purchase of your new Exmark equipment. This product has been carefully designed and manufactured to give you a maximum amount of dependability and years of trouble-free operation. If additional information is needed, or should you require trained mechanic service, contact your authorized Exmark equipment dealer or distributor. If you need to order replacement parts from your dealer, always give the model number and serial number of your equipment as well as the part number, description and quantity of the part needed.

The Serial No. plate is located on the front mount of the hopper assembly. For ease of ordering and reference, we suggest that you record the information requested in the following identification table.

Place Model No. and Serial No. Label Here
(Included in Literature Pack)
or Fill in Below

Model No. _____

Serial No. _____

Date Purchased _____

EXMARK PARTS PLUS® PROGRAM

EFFECTIVE DATE: September 1, 1995

Program

If your Exmark dealer does not have the Exmark part in stock, Exmark will get the parts to the dealer the next business day or the part will be FREE* Guaranteed!!

How the Program Works

1. If dealer does not have part in stock for a "down" unit at the time of request by customer, the dealer contacts his distributor by 1:00 p.m., local time, and requests Exmark Parts Plus® shipment of six (6) line items or less.
2. Distributor ships part(s) to dealer or customer, as requested by dealer, same day, overnight UPS. Distributor bills dealer for part and freight charges where applicable.
3. If distributor does not have the part(s) in stock to satisfy Exmark Parts Plus® order, he contacts Exmark by 3:00 p.m., central time, with an Exmark Parts Plus® order of six (6) line items or less.
4. If order is received by 3:00 p.m. central time, Exmark ships part(s) direct to dealer or customer, as requested by distributor, same day, overnight UPS. Exmark bills the distributor for parts and shipping charges, where applicable.
5. The customer pays for the part and freight if it is shipped under the Exmark Parts Plus® and if it arrives in accordance to the program.
6. Who pays for the part and freight if it fails to arrive overnight in accordance to the program?
 - A. Under any circumstance the customer does not pay.
 - B. If the part does not arrive overnight due to:
 1. The dealer not submitting the Exmark Parts Plus® order to his Exmark distributor by 1:00 p.m., the dealer pays for the part and freight.
 2. The Distributor being unable to ship the part the same day or not submitting the Exmark Parts Plus® order to Exmark by 3:00 p.m., central time, the Distributor pays for the part and freight.
 3. Exmark being unable to ship the part and the Exmark parts order is received by 3:00 p.m., central time, Exmark pays for the part and freight.
 4. If the part does not arrive overnight due to the shipper (UPS), the shipper pays for the freight and Exmark pays for the part.



The following restrictions apply -- The Exmark Parts Plus® Program is available only through participating Exmark Dealers and applies only to orders submitted on this program Monday through Thursday. Parts Plus service is available only in the contiguous 48 United States. UPS has initiated a Saturday delivery program to many areas of the continental United States and can be requested for an overnight shipment on Friday to be delivered Saturday. The next day air charge, plus the Saturday delivery fee will be the responsibility of the purchaser. Exmark Mfg. will assume no responsibility for Saturday delivery shipments. To qualify, all Exmark Parts Plus® orders must be received by Exmark by 3:00 p.m., central time. Orders must be six (6) line items or less. Exclusions from the Exmark Parts Plus® Program are: Any wholegood or accessory in its entirety, engines and engine replacement parts, 5-speed Peerless transmissions and 5-speed transaxles, hydraulic or hydrostatic wheel motors, cutter decks and engine decks or any item exceeding United Parcel Service size and weight restrictions.

Due to UPS restrictions, aerosol spray paint is considered a hazardous material and cannot be shipped via UPS next day or Second Day Air.

Exmark Manufacturing stocks a limited supply of parts for transaxles, pumps and wheel motors. These parts can be ordered for Next Day Air shipment but will not be guaranteed per the Parts Plus Program.



**READ OPERATOR'S MANUAL BEFORE
OPERATING OR SERVICING EXMARK EQUIPMENT**

TABLE OF CONTENTS

<u>Description</u>	<u>Page</u>
Blower Assembly 44" and 48"	3-6
Blower Assembly 46", 50", 52" and 56"	7-10
Decals	16
Deck Components and Front Weights	15
Hood and Screen Assembly	13
Lower Hopper Assembly	11-12
Hopper Assembly	14

BLOWER ASSEMBLY 44" and 48"

Item	Part No.	Description	Qty.
1*	103-2874-03	Wld, Blower Mount	1
2	103-3815	Wld, Impeller	1
3+	1-653346	Bearing, SPH. OD	2
4	1-513013	Housing, Flange	4
5+	103-1047	Sheave, Blower	1
6	103-3589	Wld, Upper Housing (1-652345-03) With Decals	1
7	1-653331	Spring, Idler	1
8	3290-357	Nut, Whizlock 3/8-16	5
9	323-7	Screw, HH 3/8-16 x 1 1/4	1
10	1-653600	Bearing	2
11	323-12	Screw, HH 3/8-16 x 2 1/2	2
12	3256-4	Washer, 3/8 Std	1
13	323-8	Screw, HH 3/8-16 x 1 1/2	1
14	1-353054	Latch, Grass Catcher	1
15	3296-39	Nut, Nyloc 3/8-16	1
16	1-653322	Pulley, Idler	1
17	103-0130	Bushing, Idler Pivot	1
18	103-1103	Pulley, Idler	1
19	103-2876	Asm , Idler W/Bushings Zerk, & Decal	1
20	3230-18	Bolt, Carriage 5/16-18 x 5/8	6
21	1-513208	Washer, Spring Disk	1

Item	Part No.	Description	Qty.
22	3219-6	Nut, Hex 5/8-18	1
23	3220-5	Nut, Jam 1/2-20	1
24	1-513435	Washer, Spring Disk	1
25	1-653365	Spacer	1
26	1-653366	Hub	1
27	32128-20	Nut, Whizlock 5/16-18	6
28	3217-6	Nut, Hex 5/16-18	1
29	321-3	Screw, HH 1/4-20 x 5/8	4
30	32128-33	Nut, Whizlock 1/4-20	4
31	1-303334	Washer, Spring Disk 5/16	1
32	3256-24	Washer, 3/8 SAE	1
33	103-0126	Bushing, Locator	1
34	3257-32	Key, Woodruff #61 5/8 x 3/16	1
35	103-3585	Cover, Bearing (103-3586-03) With Decal	1
36	3296-47	Nut, Nyloc 5/16-18	2
37	3256-3	Washer, 5/16 Std	2
38	3274-18	Screw, Socket HD 5/16-18 x 1 1/4	1
39	302-19	Zerk, 1/8-28 Straight	1
40	1-806323	Roll pin	1
41	1-353050	Pin, Grass Catcher	1
42	3274-107	Screw, Socket But HD 3/8-16 x 1 3/4	1

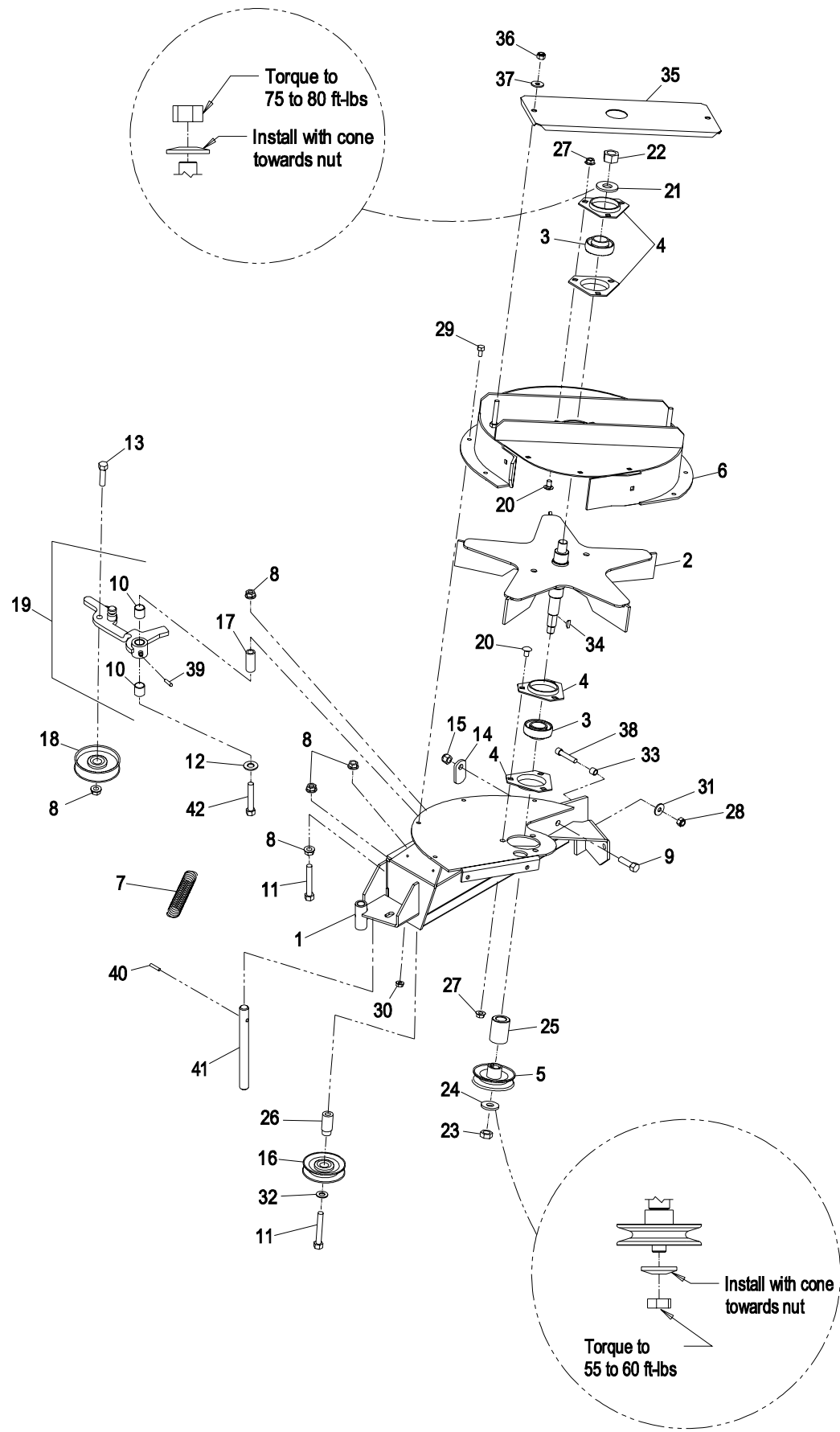
Exmark black touch up spray paint – gloss black.

Kit 103-0583 is available to repair the welded-on accessory mounting tube on all 44"-72" decks.

✚ Apply Mobil HTS grease (P/N 103-5217 1.5 oz packet) (or a food-grade antisieze) on bore of sheave and bearings.

* Includes items 40 and 41.

BLOWER ASSEMBLY 44" and 48"



BLOWER ASSEMBLY 44" and 48" (cont.)

Item	Part No.	Description	Qty.
1	3290-357	Nut, Whizlock 3/8-16.....	3
2	323-11	Screw, HH 3/8-16 x 2 1/4.....	3
3	3256-4	Washer, 3/8 Std.....	3
4	103-4764	Chute, Blower.....	1
5	1-653352-01	Bumper.....	1
6	3290-500	Screw, PPH #10-24 x 5/8.....	4
7	321-3	Screw, HH 1/4-20 x 5/8.....	4
8	32128-33	Nut, Whizlock 1/4-20.....	11
9	3229-11	Bolt, Carriage 1/4-20 x 5/8.....	3
10	1-803075	Screw, CRTH #10-24 x 3/4.....	3
11	3290-148	Nut, Whizlock #10-24.....	3
12	1-803076	Screw, CRTH 1/4-20 x 3/4.....	2
13	1-653596-03	Plate, Blower Backing.....	1

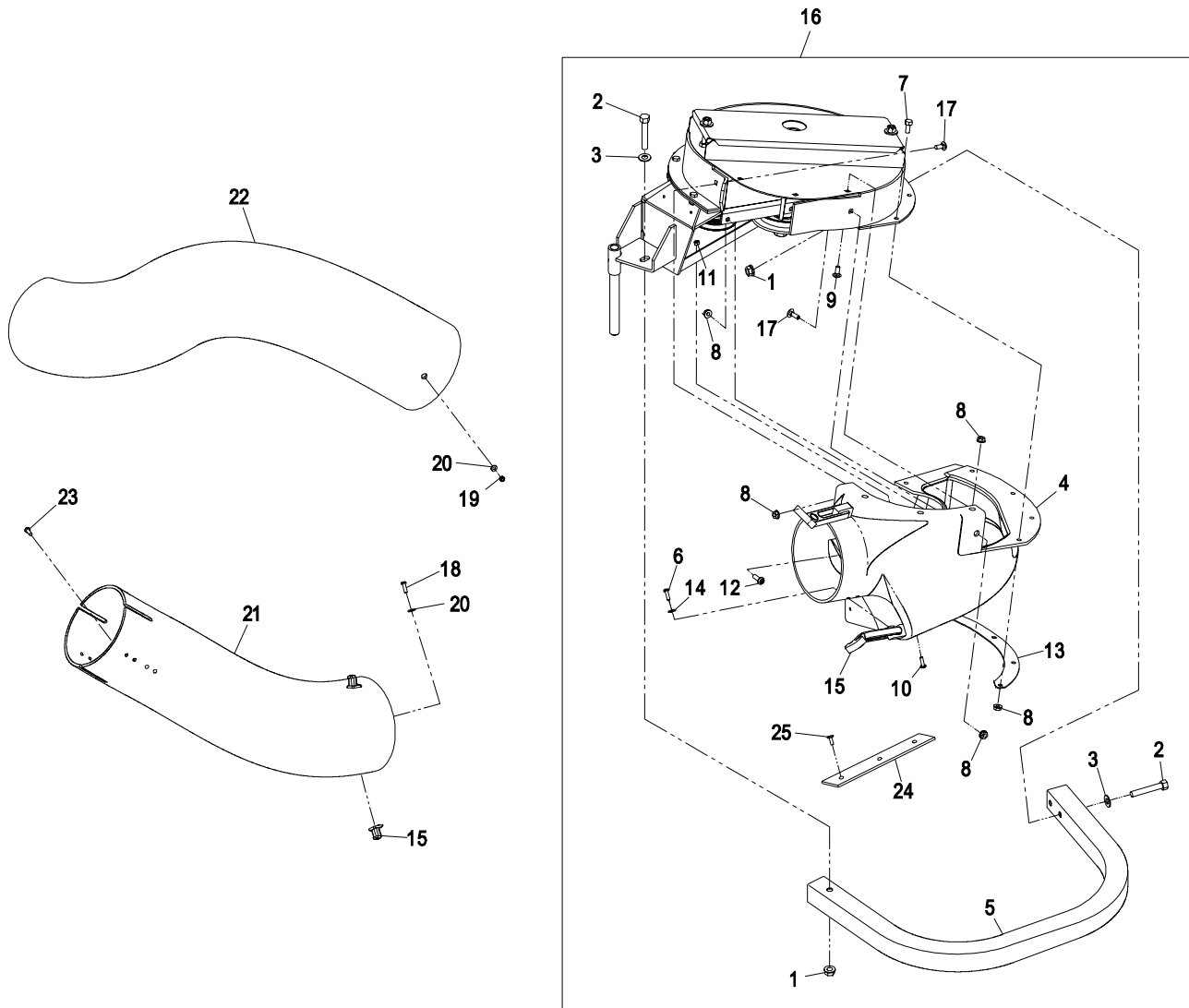
Item	Part No.	Description	Qty.
14	3256-14	Washer, #10 Std.....	4
15	1-653429	Asm, Latch.....	2
16	103-0401	Asm, Blower (44 & 48) (Includes All Items From Pg 3 & Items 1-15 & Decals) ...	1
17	3229-1	Bolt, Carriage 1/4-20 x 3/4.....	2
18	3290-500	Screw, PPH #10-24 x 5/8.....	2
19	3296-2	Nut, Nyloc #10-24.....	3
20	3256-14	Washer, #10 Std.....	5
21	109-2040	Tube, Lower.....	1
22	109-2034	Tube, Upper.....	1
23	32105-13	Screw, Slotted HH #10-24 x 3/4.....	3
24	103-4752-03	Plate, Reinforcement.....	1
25	114439	Rivet.....	3

Exmark red touch up paint (spray paint - P/N 1-850337 - .6 oz liquid bottle - P/N 103-9140).

Exmark black touch up spray paint – gloss black.

Kit 103-0583 is available to repair the welded-on accessory mounting tube on all 44"-72" decks.

BLOWER ASSEMBLY 44" and 48" (cont.)



BLOWER ASSEMBLY 46", 50", 52" and 56"

Item	Part No.	Description	Qty.
1*	109-1119-03	Wld, Blower Mount	1
2	103-3815	Wld, Impeller	1
3+	1-653346	Bearing, SPH. OD	2
4	1-513013	Housing, Flange	4
5+	109-3177	Sheave, Blower	1
6	103-3589	Wld, Upper Housing (1-652345-03) With Decals	1
7	1-653331	Spring, Idler	1
8	3290-357	Nut, Whizlock 3/8-16	5
9	3274-107	Screw, Socket But HD 3/8-16 x 1 3/4	1
10	1-653600	Bearing	2
11	323-12	Screw, HH 3/8-16 x 2 1/2	2
12	3256-4	Washer, 3/8 Std	1
13	323-8	Screw, HH 3/8-16 x 1 1/2	2
14	1-353054	Latch, Grass Catcher	2
15	3296-39	Nut, Nyloc 3/8-16	1
16	1-653322	Pulley, Idler	1
17	103-0130	Bushing, Idler Pivot	1
18	103-1103	Pulley, Idler	1
19	103-2876	Asm , Idler W/Bushings Zerk, & Decal	1
20	3230-18	Bolt, Carriage 5/16-18 x 5/8	6

Item	Part No.	Description	Qty.
21	1-513208	Washer, Spring Disk	1
22	3219-6	Nut, Hex 5/8-18	1
23	3220-5	Nut, Jam 1/2-20	1
24	1-513435	Washer, Spring Disk	1
25	1-653365	Spacer	1
26	1-653366	Hub	1
27	32128-20	Nut, Whizlock 5/16-18	6
28	3217-6	Nut, Hex 5/16-18	1
29	321-3	Screw, HH 1/4-20 x 5/8	4
30	32128-33	Nut, Whizlock 1/4-20	4
31	1-303334	Washer, Spring Disk 5/16	1
32	3256-24	Washer, 3/8 SAE	1
33	103-0126	Bushing, Locator	1
34	3257-32	Key, Woodruff #61 5/8 x 3/16	1
35	103-3585	Cover, Bearing (103-3586-03) With Decal	1
36	3296-47	Nut, Nyloc 5/16-18	2
37	3256-3	Washer, 5/16 Std	2
38	3274-18	Screw, Socket HD 5/16-18 x 1 1/4	1
39	302-19	Zerk, 1/8-28 Straight	1
40	1-806323	Roll pin	1
41	1-353050	Pin, Grass Catcher	1

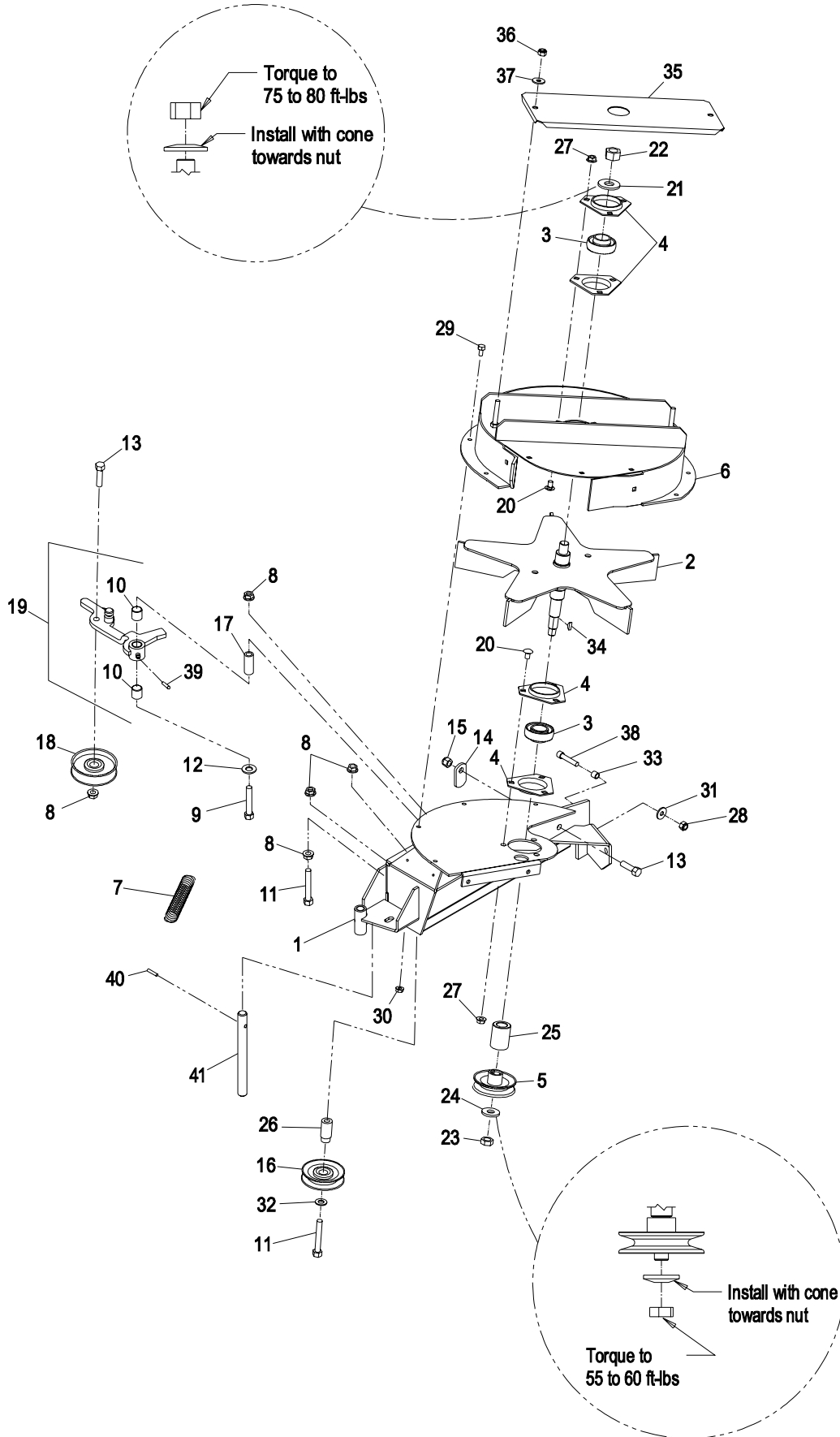
Exmark black touch up spray paint – gloss black.

Kit 103-0583 is available to repair the welded-on accessory mounting tube on all 44"-72" decks.

✚ Apply Mobil HTS grease (P/N 103-5217 1.5 oz packet) (or a food-grade antisieze) on bore of sheave and bearings.

* Includes items 40 and 41.

BLOWER ASSEMBLY 46", 50", 52" and 56"



BLOWER ASSEMBLY 46", 50", 52" and 56" (cont.)

Item	Part No.	Description	Qty.
1	3290-357	Nut, Whizlock 3/8-16.....	3
2	323-11	Screw, HH 3/8-16 x 2 1/4.....	2
3	3256-4	Washer, 3/8 Std.....	3
4	109-1985	Chute, Blower (46, 50 & 56).....	1
	103-4764	Chute, Blower (52).....	1
5	109-1122-01	Bumper.....	1
6	3290-500	Screw, PPH #10-24 x 5/8.....	4
7	321-3	Screw, HH 1/4-20 x 5/8.....	4
8	32128-33	Nut, Whizlock 1/4-20.....	11
9	3229-11	Bolt, Carriage 1/4-20 x 5/8.....	3
10	1-803075	Screw, CRTH #10-24 x 3/4 (46,50&56) ..	3
	1-803075	Screw, CRTH #10-24 x 3/4 (52).....	5
11	3290-148	Nut, Whizlock #10-24 (46, 50 & 56).....	3
	3290-148	Nut, Whizlock #10-24 (52).....	5
12	1-803076	Screw, CRTH 1/4-20 x 3/4.....	2
13	1-653596-03	Plate, Blower Backing.....	1
14	1-653443-03	Plate, Filler (52).....	1

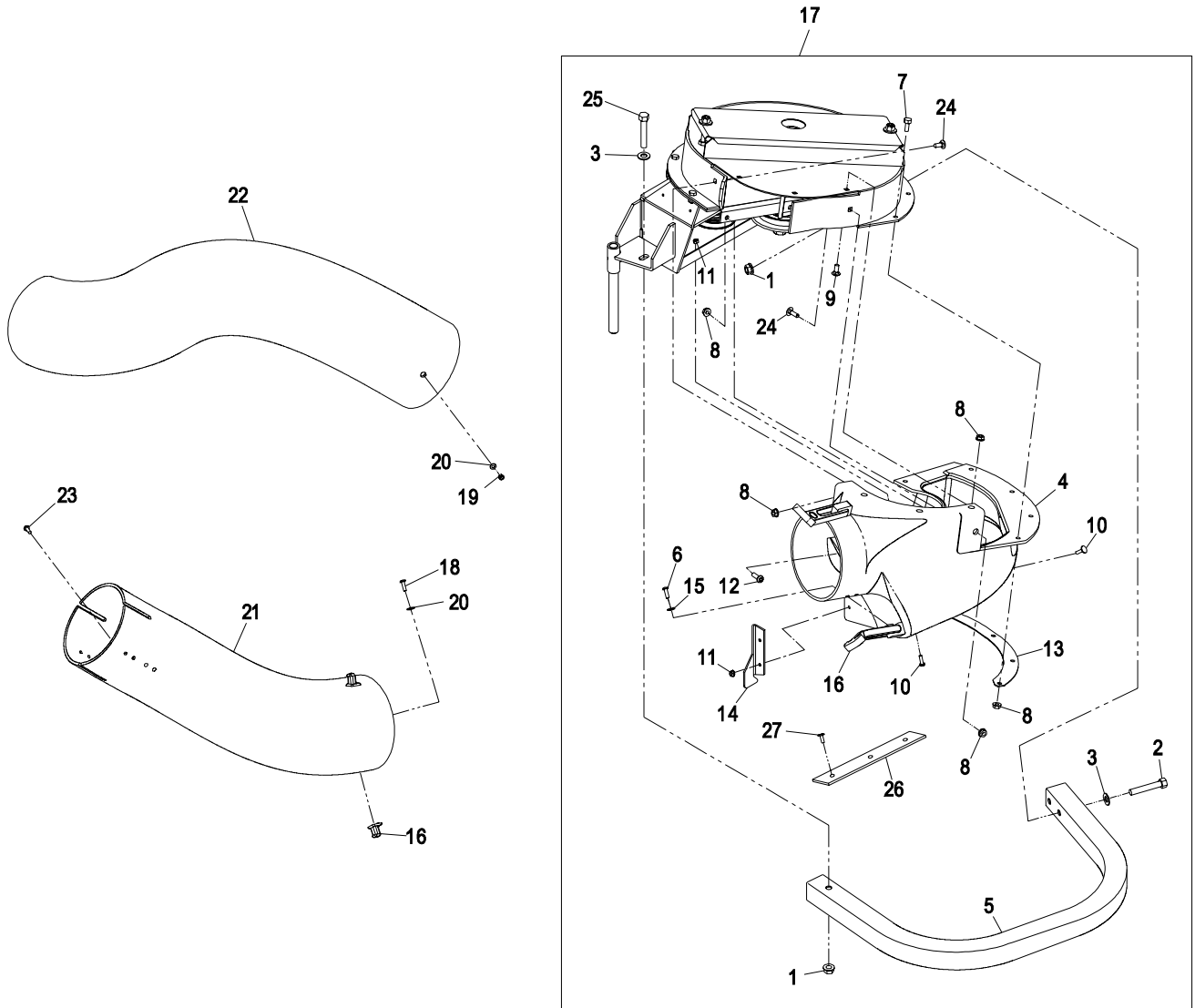
Item	Part No.	Description	Qty.
15	3256-14	Washer, #10 Std.....	4
16	1-653429	Asm, Latch.....	2
17	109-1024	Asm, Blower (46, 50 & 56) (Includes All Items From Pg 7 & Items 1-16 & Decals) ...	1
	103-0400	Asm, Blower (52) (Includes All Items From Pg 7 & Items 1-16 & Decals) ...	1
18	3290-500	Screw, PPH #10-24 x 5/8.....	2
19	3296-2	Nut, Nyloc #10-24.....	3
20	3256-14	Washer, #10 Std.....	5
21	109-2041	Tube, Lower (46 & 50).....	1
	109-2040	Tube, Lower (52 & 56).....	1
22	109-2035	Tube, Upper.....	1
23	32105-13	Screw, Slotted HH #10-24 x 3/4.....	3
24	3229-1	Bolt, Carriage 1/4-20 x 3/4.....	2
25	323-7	Screw, HH 3/8-16 x 1 1/4.....	1
26	103-4752-03	Plate, Reinforcement.....	1
27	114439	Rivet.....	3

Exmark red touch up paint (spray paint - P/N 1-850337 - .6 oz liquid bottle - P/N 103-9140).

Exmark black touch up spray paint – gloss black.

Kit 103-0583 is available to repair the welded-on accessory mounting tube on all 44"-72" decks.

BLOWER ASSEMBLY 46, 50, 52 and 56 (cont.)

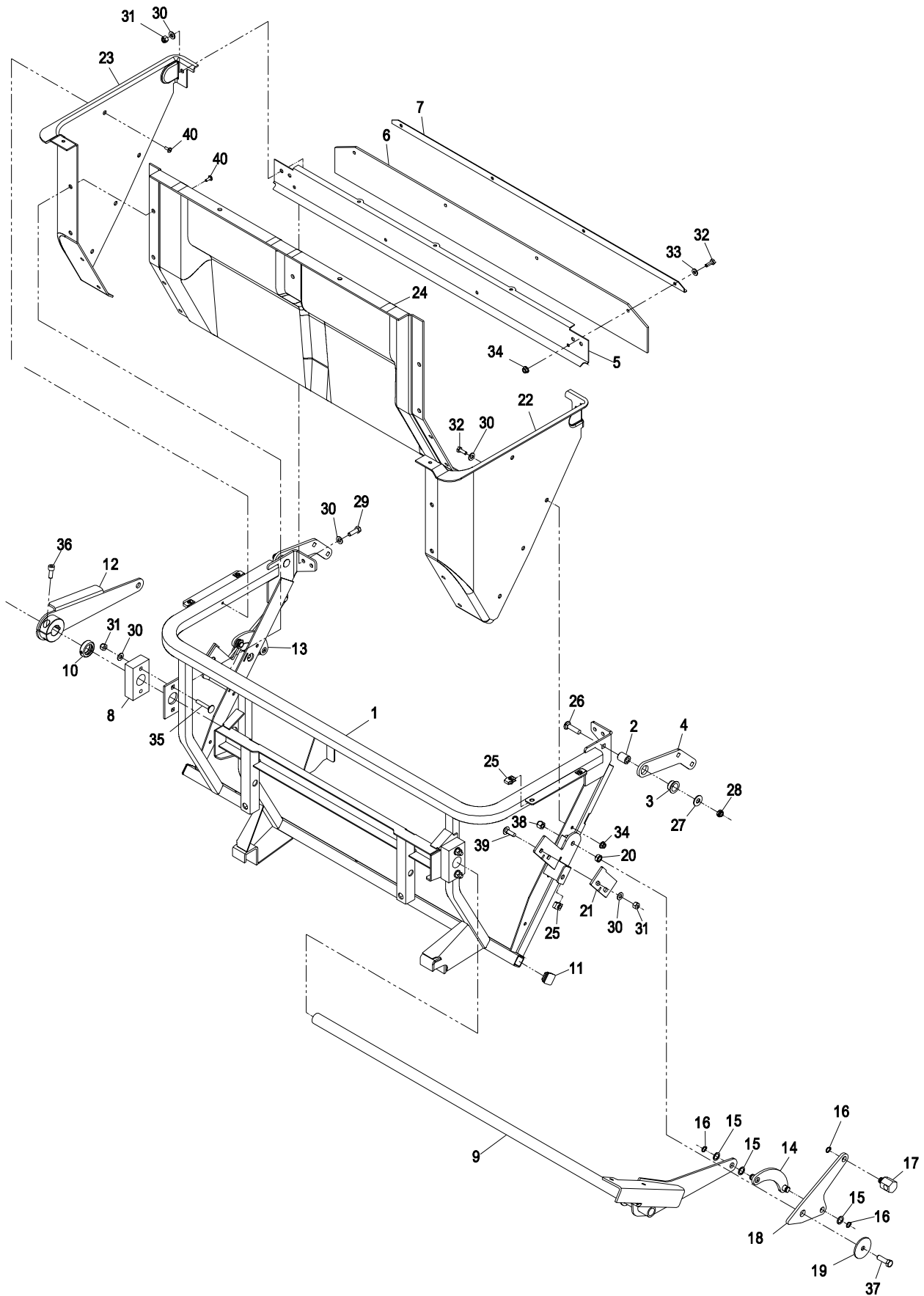


LOWER HOPPER ASSEMBLY

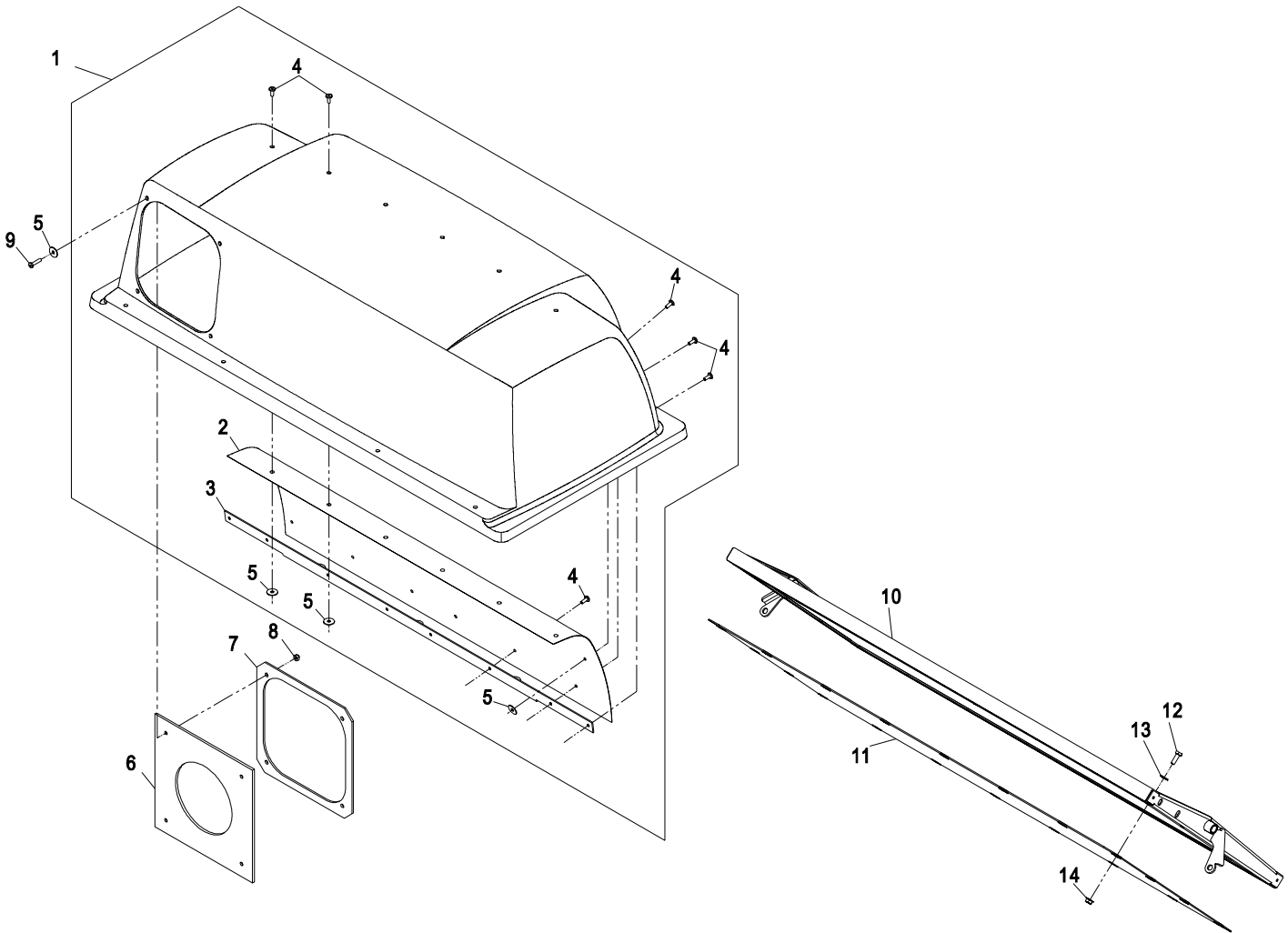
Item	Part No.	Description	Qty.
1	109-0329-03	Wld, QDS Frame.....	1
2	103-6294	Pin, Hinge Pivot	2
3	103-6295	Bearing	2
4	103-4820-03	Plate, Hinge	2
5	103-4412-03	Plate, Rear.....	1
6	103-4832	Seal, Door.....	1
7	103-4834-03	Strap, Hold Down.....	1
8	103-4402	Bearing	2
9	103-5114-03	Wld, Bellcrank.....	1
10	103-4433	Collar, Shaft.....	1
11	103-3202	Cap, Tube.....	2
12	103-8835-03	Wld, Link RH.....	1
13	103-5111	Wld, Link RH.....	1
14	103-5112	Wld, Link LH	1
15	94-8196	Washer, Nylon	6
16	32151-61	Ring, Retaining	6
17	103-4848	Trunnion, Link	2
18	103-4424	Arm, Door Linkage	2
19	103-4431	Washer	2
20	103-4415	Bearing, Linkage Pivot	2

Item	Part No.	Description	Qty.
21	103-4408-03	Stop, Linkage.....	2
22	103-7828	Panel, Bagger LH	1
23	103-7829	Panel, Bagger RH.....	1
24	103-5102	Panel, Bagger.....	1
25	107069	Nut, Retainer 1/4-20.....	6
26	3231-4	Bolt Carriage 3/8-16 x 1 1/2	2
27	3256-4	Washer, 3/8 Std.....	2
28	3296-59	Nut, Nyloc 3/8-16 Thin	2
29	322-5	Screw, HH 5/16-18 x 1	4
30	3256-23	Washer, 5/16 SAE	22
31	3296-29	Nut, Nyloc 5/16-18	12
32	321-4	Screw, HH 1/4-20 x 3/4.....	10
33	3256-22	Washer, 1/4 SAE	4
34	32128-33	Nut, Whizlock 1/4-20.....	10
35	3230-5	Bolt, Carriage 5/16-18 x 1 3/4	4
36	3274-1	Screw, SH 3/8-16 x 1 1/4.....	1
37	323-7	Screw, HH 3/8-16 x 1 1/4.....	2
38	3296-39	Nut, Nyloc 3/8-16	2
39	3230-2	Bolt, Carriage 5/16-18 x 1	4
40	114439	Riviet	14

LOWER HOPPER ASSEMBLY



HOOD and SCREEN ASSEMBLY

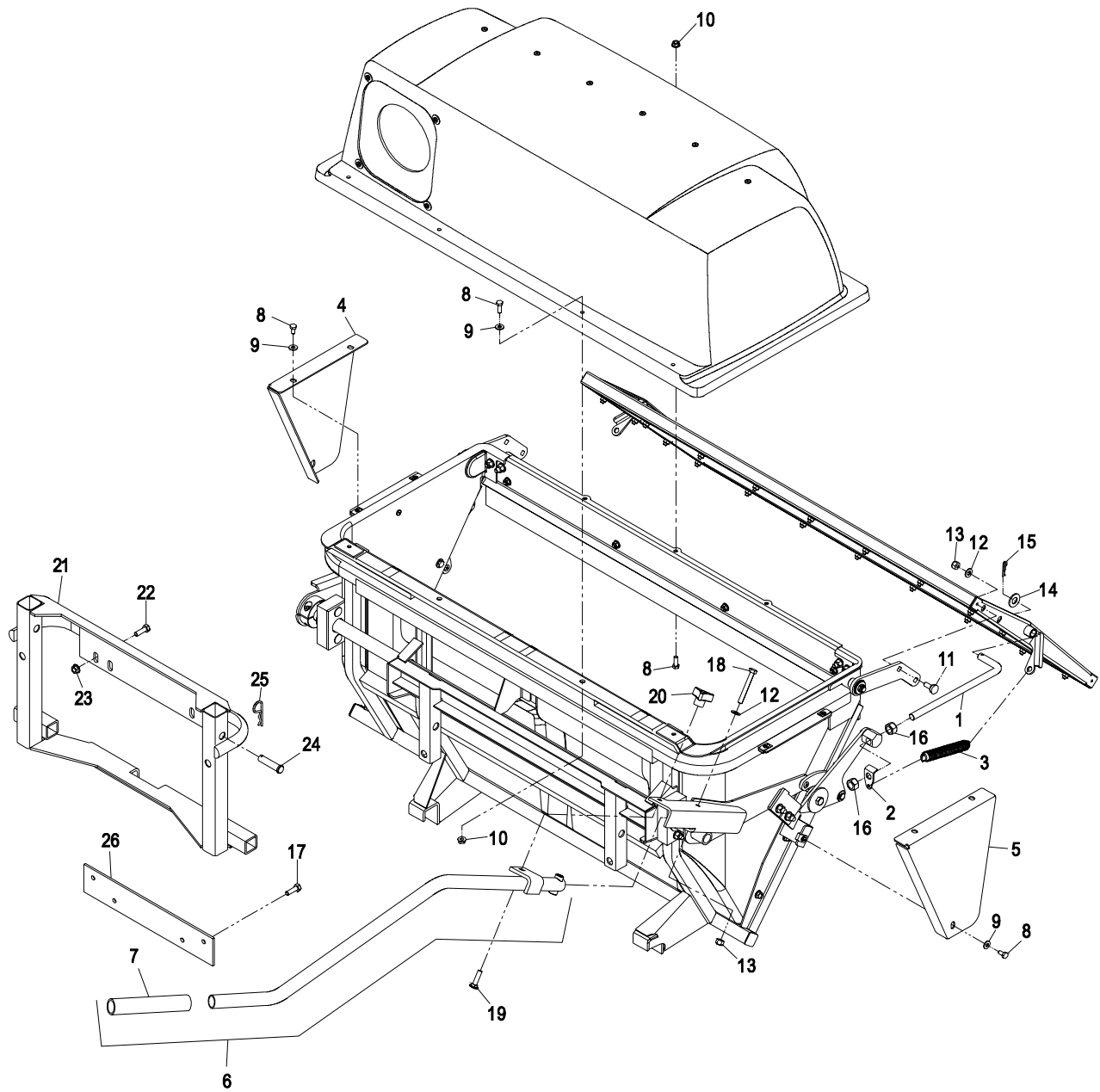


Item	Part No.	Description	Qty.
1◆	103-6232	Asm, Hood.....	1
2	114967	Screen.....	1
3	103-5101-03	Support, Screen.....	1
4	114439	Rivet, Pop 3/16 x 1/2.....	18
5	3256-61	Washer.....	14
6	1-653561	Seal, Chute.....	1
7	1-653598-03	Clamp, Seal.....	1

Item	Part No.	Description	Qty.
8	3296-2	Nut, Nyloc #10-24.....	4
9	3250-27	Screw, PPH #10-24 x 7/8.....	4
10	103-4406-03	Wld, Door Frame.....	1
11	103-4828	Screen, Door.....	1
12	321-4	Screw, HH 1/4-20 x 3/4.....	20
13	3256-2	Washer, 1/4 SAE.....	20
14	32128-33	Nut, Whizlock 1/4-20.....	20

◆ Includes items 2,3,4 and 5 riveted together and Decal.

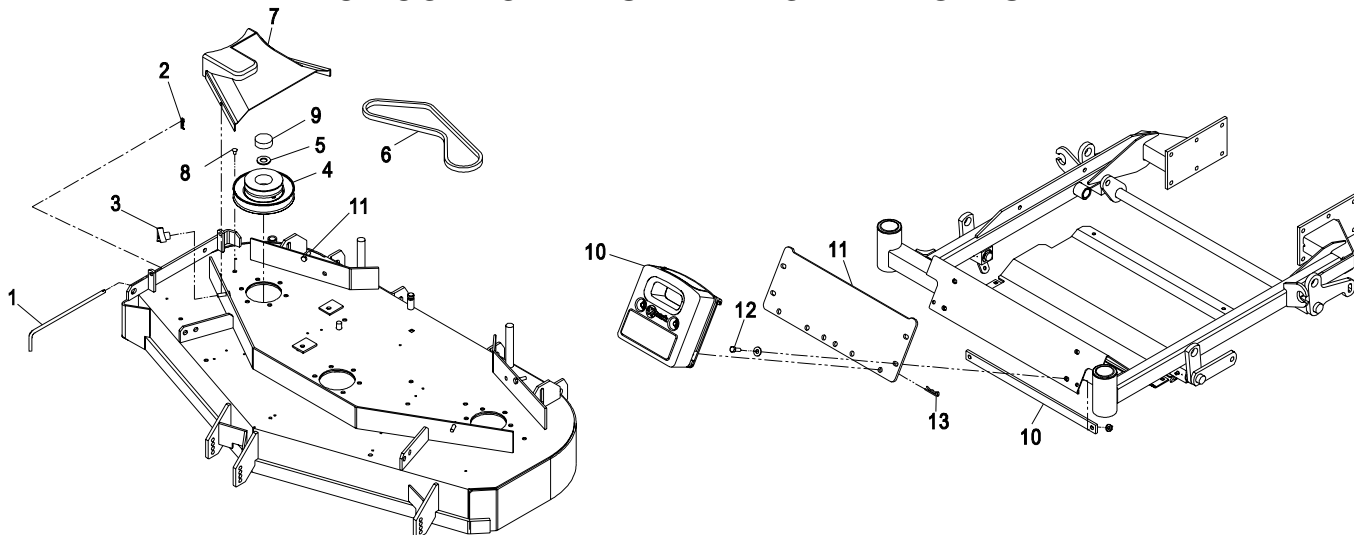
HOPPER ASSEMBLY



Item	Part No.	Description	Qty.
1	103-4822	Link, Door	2
2	103-4835	Anchor, Spring	2
3	103-4813	Spring	2
4	103-4819-03	Guard, RH.....	1
5	103-4437-03	Guard, LH.....	1
6	103-6271	Asm, Handle W/Grip	1
7	103-7115	Grip.....	1
8	321-4	Screw, HH 1/4-20 x 3/4	13
9	3256-22	Washer, 1/4 SAE	10
10	32128-33	Nut, Whizlock 1/4-20.....	7
11	3230-22	Bolt, Carriage 5/16-18 x 1	4
12	3256-23	Washer, 5/16 SAE.....	5
13	3296-29	Nut, Nyloc 5/16-18	5

Item	Part No.	Description	Qty.
14	3256-26	Washer, 1/2 SAE	2
15	1-806003	Hairpin, Cotter	2
16	3219-5	Nut, Hex 1/2-20.....	4
17	322-9	Screw, HH 5/16-18 x 1 3/4 (52).....	4
18	322-12	Screw, HH 5/16-18 x 2 1/2.....	1
19	3230-3	Bolt, Carriage 5/16-18 x 1 1/4	1
20	1-323385	Knob, 3 Prong.....	1
21	103-4807-03	Wld, Bagger Mount	1
22	322-5	Screw, HH 5/16-18 x 1	8
23	32128-20	Nut, Whizlock 5/16-18.....	8
24	1-808289	Pin, Clevis 1/2 x 2	2
25	1-806005	Hairpin, Cotter	2
26	1-653532-03	Spacer, Counterweight (52 & 56).....	1

DECK COMPONENTS AND FRONT WEIGHTS



Deck Components:

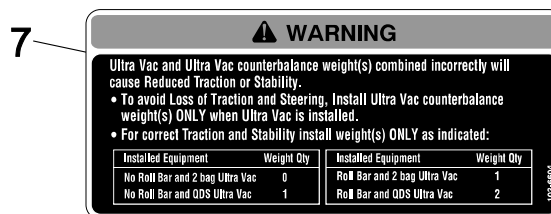
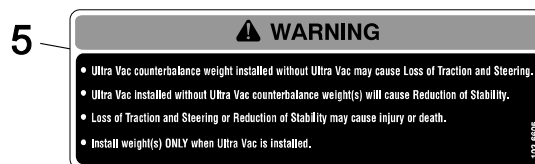
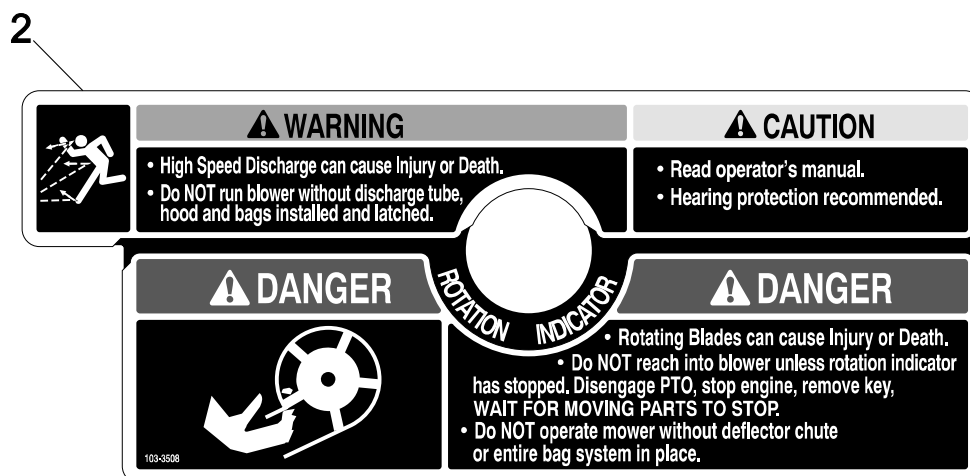
No.	Part No.	Description	Quantity Included in Each Kit					
			44"	48"	52"	46"	50"	56"
			103-1315	103-1314	109-1185	109-1013	109-1014	109-1015
1	1-653363	Pin, Chute Pivot	1	1	1			
	103-0453	Pin, Chute Pivot				1	1	1
2	1-806003	Pin, Hair	1	1	1	1	1	1
3	1-323385	Knob, Belt Shield	2	2	2	1	1	1
4	1-653439	Sheave, Blower Drive (52)			1			
	1-653362	Sheave, Blower Drive (48)		1				
	1-653309	Sheave, Blower Drive (44)	1					
	109-1016	Sheave, Blower Drive (46)				1		
	109-1017	Sheave, Blower Drive (50)					1	
	109-1018	Sheave, Blower Drive (56)						1
5	3256-27	Washer, 5/8 SAE				1	1	1
6	1-653438	Belt, Blower (46 & 52)			1	1		
	1-653333	Belt, Blower (48)		1				
	1-653332	Belt, Blower (44)	1					
	109-1240	Belt, Blower (50)					1	
	109-1241	Belt, Blower (56)						1
7	103-1316	Cover, Belt (44 & 48)	1	1				
	103-1318	Cover, Belt (52)			1			
	109-1019	Cover, Belt (46)				1		
	109-1020	Cover, Belt (50)					1	
	109-1021	Cover, Belt (56)						1
8	322-2	Screw, HH 5/16-18 x 5/8	1	1	1	1	1	1
9	103-1279	Plug	1	1	1	1	1	1
10	109-1022-03	Strap, Weight mount				1	1	1
11	3230-2	Bolt, Carriage 5/16-18 x 1				2	2	2

Front Weight Components: (Used on all units)

12	103-6363	Asm, Weight (103-6364-01) W/Decals	2
13	103-6368-01	Plate, Weight Mounting	1
14	322-5	Screw, HH 5/16-18 x 1	4
*	322-7	Screw, HH 5/16-18 x 1 1/2	4
15	9335124	Hairpin, Cotter	4

* 52" units with standard weight plate bolted to the front of the floor pan only.

DECALS



Item	Part No.	Description	Qty.
1	103-3302	Decal, Ultra Vac QDS	1
2	103-3508	Decal, Warning	1
3	1-653546	Decal, Exmark	1
4	98-5954	Decal, Missing Cover	1

Item	Part No.	Description	Qty.
5	103-6605	Decal, Weight	2
6	1-653558	Decal, Hot Sheave	1
7	103-6604	Decal, Weight Blower.....	1

NOTES

NOTES

SEE EXMARK'S COMPLETE LINE OF ACCESSORIES

RIDING ACCESSORIES

CUSTOM RIDE SEAT SUSPENSION SYSTEM
DECK LIFT ASSIST KIT
HITCH KIT
LIGHT KIT
MICRO-MULCH SYSTEM
ROLL OVER PROTECTION SYSTEM (ROPS)
SNOW BLADE
SUN SHADE
TRASH CONTAINER
TURF STRIPER
ULTRA VAC COLLECTION SYSTEM
ULTRA VAC QUICK DISPOSAL SYSTEM

WALK BEHIND ACCESSORIES

GRASS CATCHER
MICRO-MULCH SYSTEM
STEERABLE SULKY
SULKY HITCH KIT
TURF STRIPER
STANDON

Check us out on the Web:
www.exmark.com

© 1997-2005 EXMARK MFG. CO. INC.
INDUSTRIAL PARK BOX 808
BEATRICE, NE 68310

PART NO. 109-3191 Rev. A
(402) 223-6300
FAX (402) 223-5489

ALL RIGHTS RESERVED

PRINTED IN U.S.A.

