

For Serial Nos.
600,000 & Higher



PARTS MANUAL

METRO[®] 21

CONGRATULATIONS on the purchase of your new Exmark mower. This product has been carefully designed and manufactured to give you a maximum amount of dependability and years of trouble-free operation. If additional information is needed, or should you require trained mechanic service, contact your authorized Exmark equipment dealer or distributor. If you need to order replacement parts from your dealer, always give the model number and serial number of your mower as well as the part number, description and quantity of the part needed.

The Serial No. plate is located on the top of the mower deck on the right hand corner of the machine. For ease of ordering and reference, we suggest that you record the information requested in the following identification table.

Place Model No. and Serial No. Label Here
(Included in Literature Pack)
or Fill in Below

Model No. _____

Serial No. _____

Engine Model No. and Spec. No. (Code) _____

Engine Serial No. (E/No) _____

Date Purchased _____

Part No. 109-3064 Rev. A

EXMARK PARTS PLUS® PROGRAM

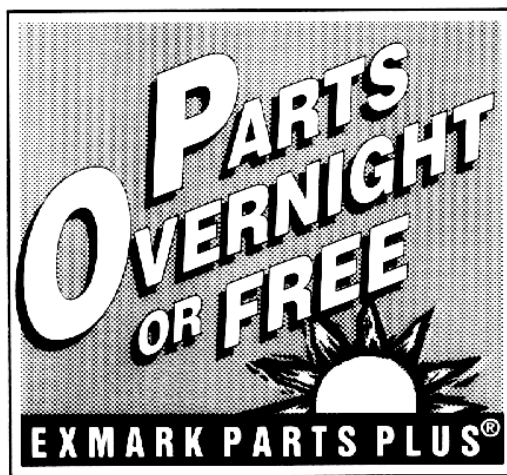
EFFECTIVE DATE: September 1, 1995

Program

If your Exmark dealer does not have the Exmark part in stock, Exmark will get the parts to the dealer the next business day or the part will be FREE* Guaranteed!!

How the Program Works

1. If dealer does not have part in stock for a "down" unit at the time of request by customer, the dealer contacts his distributor by 1:00 p.m., local time, and requests Exmark Parts Plus® shipment of six (6) line items or less.
2. Distributor ships part(s) to dealer or customer, as requested by dealer, same day, overnight UPS. Distributor bills dealer for part and freight charges where applicable.
3. If distributor does not have the part(s) in stock to satisfy Exmark Parts Plus® order, he contacts Exmark by 3:00 p.m., central time, with an Exmark Parts Plus® order of six (6) line items or less.
4. If order is received by 3:00 p.m. central time, Exmark ships part(s) direct to dealer or customer, as requested by distributor, same day, overnight UPS, Exmark bills the distributor for parts and shipping charges, where applicable.
5. The customer pays for the part and freight if it is shipped under the Exmark Parts Plus® and if it arrives in accordance to the program.
6. Who pays for the part and freight if it fails to arrive overnight in accordance to the program?
 - A. Under any circumstance the customer does not pay.
 - B. If the part does not arrive overnight due to:
 1. The dealer not submitting the Exmark Parts Plus® order to his Exmark distributor by 1:00 p.m., the dealer pays for the part and freight.
 2. The Distributor being unable to ship the part the same day or not submitting the Exmark Parts Plus® order to Exmark by 3:00 p.m., central time, the Distributor pays for the part and freight.
 3. Exmark being unable to ship the part and the Exmark parts order is received by 3:00 p.m., central time, Exmark pays for the part and freight.
 4. If the part does not arrive overnight due to the shipper (UPS), the shipper pays for the freight and Exmark pays for the part.



The following restrictions apply -- The Exmark Parts Plus® Program is available only through participating Exmark Dealers and applies only to orders submitted on this program Monday through Thursday. Parts Plus service is available only in the 48 contiguous United States. UPS has initiated a Saturday delivery program to many areas of the continental United States and can be requested for an overnight shipment on Friday to be delivered Saturday. The next day air charge, plus the Saturday delivery fee will be the responsibility of the purchaser. Exmark Mfg. will assume no responsibility for Saturday delivery shipments. To qualify, all Exmark Parts Plus® orders must be received by Exmark by 3:00 p.m., central time. Orders must be six (6) line items or less. Exclusions from the Exmark Parts Plus® Program are: Any wholegood or accessory in its entirety, engines and engine replacement parts, 5-speed Peerless transmissions and 5-speed transaxles, hydraulic or hydrostatic wheel motors, cutter decks and engine decks or any item exceeding United Parcel Service size and weight restrictions.

Due to UPS restrictions, aerosol spray paint is considered a hazardous material and cannot be shipped via UPS next day or Second Day Air.

Exmark Manufacturing stocks a limited supply of parts for transaxles, pumps and wheel motors. These parts can be ordered for Next Day Air shipment but will not be guaranteed per the Parts Plus Program.



**READ OPERATOR'S MANUAL BEFORE
OPERATING OR SERVICING EXMARK EQUIPMENT.**

TABLE OF CONTENTS

<u>Description</u>	<u>Page</u>
Blade Assembly	5-6
Decals	16
Deck and Wheel Assembly	3-4
Discharge Door, Plug and Bag Assembly.....	8
Engine Assembly	7
Gear Case Assembly for Self-Propelled Units.....	15
Handle Assembly for Push Units	9-10
Handle Assembly for Self-Propelled Units With Blade Brake Clutch	13-14
Handle Assembly for Self-Propelled Units Without Blade Brake Clutch....	11-12

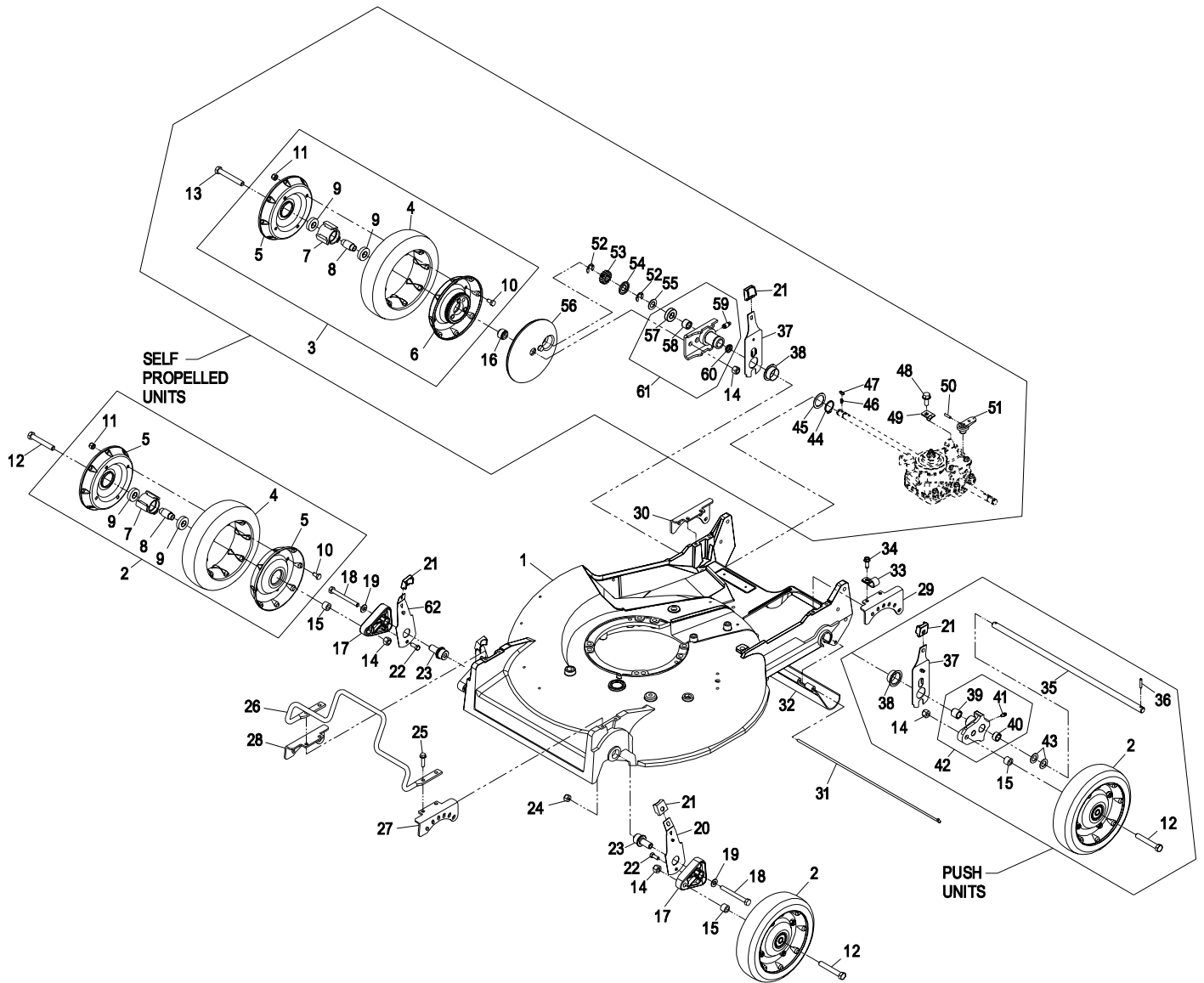
DECK and WHEEL ASSEMBLY

Item	Part No.	Description	Qty.
1●	98-8027	Asm, Deck W/Decals	1
■	100-3288	Asm, Deck W/Decals	1
2+	100-2870	Asm, Wheel & Tire	4
✕	100-2870	Asm, Wheel & Tire	2
3✕	100-2860	Asm, Wheel & Tire	2
4	53-7740	Tire	4
5+	53-7780-06	Plate, Wheel Half	8
✕	53-7780-06	Plate, Wheel Half	6
6✕	92-4957-06	Asm, Wheel Half W/Gear	2
7	52-2410	Hub, Bearing	4
8	52-2440	Spacer, Bearing	4
9	52-2450	Bearing, Wheel	8
10	321-2	Screw, HH 1/4-20 x 1/2	16
11	3296-42	Nut, Nyloc 1/4-20	16
12+	323-12	Screw, HH 3/8-16 x 2 1/2	4
✕	323-12	Screw, HH 3/8-16 x 2 1/2	2
13✕	323-13	Screw, HH 3/8-16 x 2 3/4	2
14	32152-2	Nut, Hex 3/8-16 Lock	4
15+	52-2480	Spacer, Wheel	4
✕	52-2480	Spacer, Wheel	2
16✕	74-1650	Spacer, Wheel	2
17	66-0580	Arm, Pivot Front	2
18	322-14	Screw, HH 5/16-18 x 3	2
19	98-3499	Washer	2
20	103-5847	Asm, Front Spring Arm LH	1
21	25-7740	Knob, Arm	4
22	49-2040	Screw, HWH 1/4-20 x 3/4 TF	2
23	103-5538	Bushing, Wheel Pivot	2
24	3296-29	Nut, Nyloc 5/16-18	2
25	32144-86	Screw, HWH 1/4-20 x 1 TF	4
26	103-5897	Guard, Engine	1
27	103-7683	Bracket, Quadrant Front LH	1
28	103-7684	Bracket, Quadrant Front RH	1
29	103-7685	Bracket, Quadrant Rear LH	1

Item	Part No.	Description	Qty.
30	103-7686	Bracket, Quadrant Rear RH	1
31	33-3208	Rod, Shield	1
32	44-0580	Shield, Trailing	1
33	1-323229	Clip, Loom 3/8	1
34	49-2040	Screw, HWH 1/4-20 x 3/4 TF	4
35+	49-8790	Shaft, Rear Axle	1
36+	32121-108	Pin, Spirol 5/32 x 7/8	2
37	66-7561	Asm, Rear Spring Arm	2
38	48-2170	Cap, End	2
39+	47-2900	Bushing	2
40+	47-2890	Bushing	2
41+	302-56	Zerk, 3/16 Str	2
42+	42-3510	Asm, Pivot Arm	2
43+	36-4780	Washer	4
44✕	32151-36	Ring, Retaining	2
45✕	74-1810	Washer	2
46✕	39-9650	Spring	2
47✕	612066	Key	2
48✕	32144-70	Screw, HH 5/16-18 x 3/4	1
49✕	62-3720	Clamp, Cable	1
50✕	32121-99	Pin, Coil	1
51✕	29-9560	Lever, Shift	1
52✕	32151-68	E-Ring	4
53✕	39-9160	Gear, Pinion	2
54✕	62-3830	Washer, Thrust Outer	2
55✕	49-7700	Washer, Thrust Outer	2
56✕	74-1640	Cover, Wheel	2
57✕	52-2450	Bearing, Wheel	2
58✕	48-2060	Bearing, Roller	2
59✕	92-6316	Zerk	2
60✕	47-6730	Seal	2
61✕	74-1851	Asm, Pivot Arm	2
62	103-5848	Asm, Front Spring Arm RH	1

- For units **without** blade brake clutch.
- For units **with** blade brake clutch.
- + For push units.
- ✕ For self-propelled units.

DECK and WHEEL ASSEMBLY



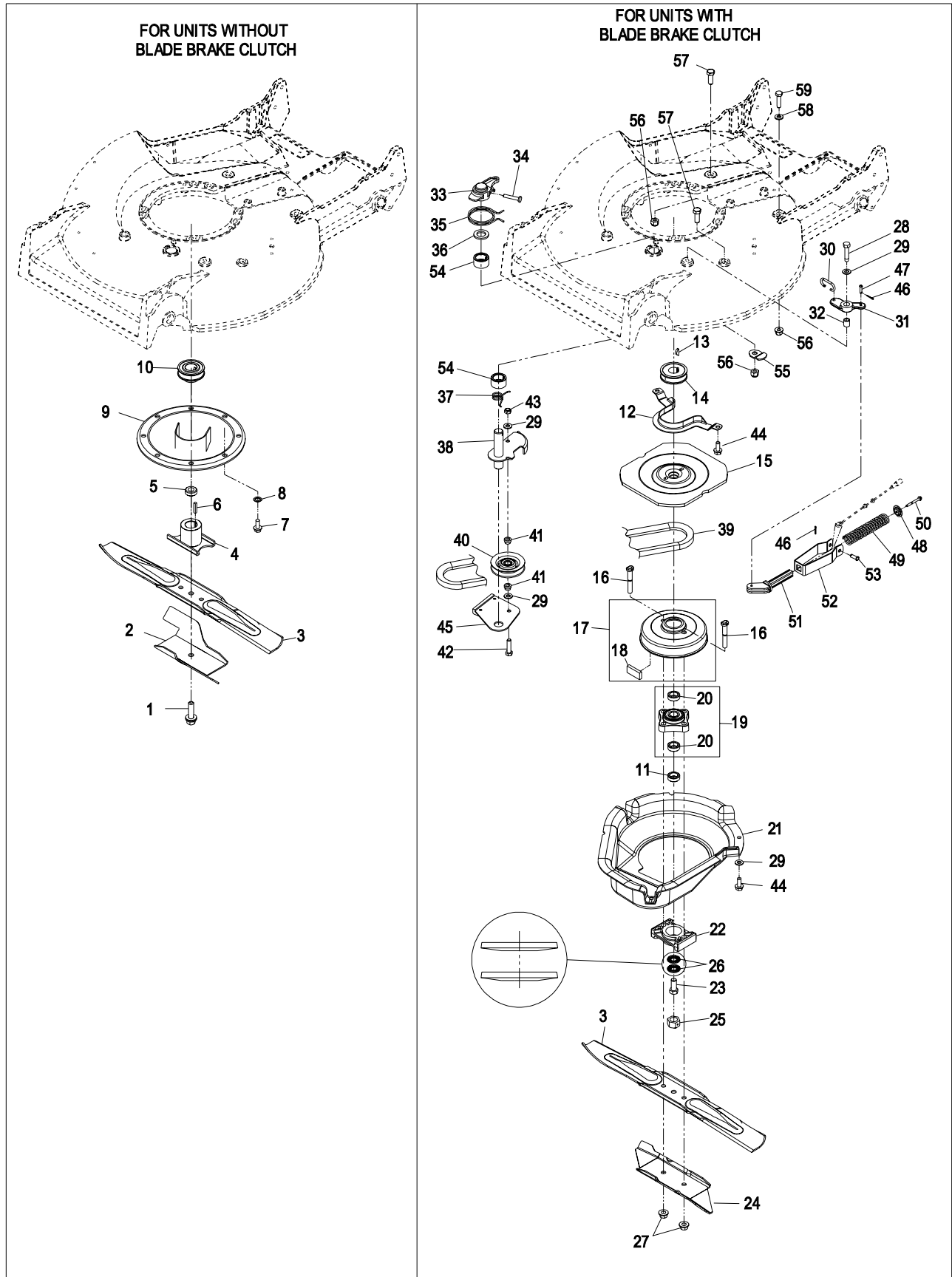
BLADE ASSEMBLY

Item	Part No.	Description	Qty.
1	105-8579	Bolt, Blade 7/16-20 x 1 5/8.....	1
2	92-1599-03	Stiffener, Blade	1
3	107-4276-03	Blade	1
4	52-2170-03	Retainer, Blade	1
5	103-3795	Spacer, Blade Retainer	1
6+	7-0036	Key, Machine 3/16 SQ x 1 5/8.....	1
✘	5-1077	Key, Machine 3/16 SQ x 1.....	1
7	32144-70	Screw, HH 5/16-18 X 3/4.....	3
8	3254-6	Washer, Lock Internal	3
9+	48-2591	Protector, Crankshaft	1
✘	65-5860	Protector, Crankshaft	1
10✘	46-7910	Sheave, Driver	1
11*	107-4058	Spacer, Output Shaft.....	1
12	66-0570-03	Bracket, Belt Guide	1
13	3257-17	Key, Woodruff 5/32 X 21/32	1
14	56-6180	Sheave, Driver	1
15	56-6160-03	Flywheel, BBC	1
16	42-3190	Bolt, Blade 3/8-24 x 2.33.....	2
17	94-9431	Asm, Brake Drum.....	1
18	52-3480	Dampner, Vibration	2
19	42-6890	Asm, Hub.....	1
20	100-1048	Bearing, Ball	2
21	46-5693	Shield.....	1
22	107-4275	Spacer, Blade	1
23*	3212-4	Screw, HH 7/16-20 x 1	1
24	91-2255-03	Stiffener, Blade	1
25◆	603164	Nut, Blade 5/8-18 Nyloc	1
26*	1-603610	Washer, Spring Disk 7/16.....	2
27	54-9190	Nut, Hex 3/8-24 Lock	2
28	32104-107	Screw, HH 5/16-18 x 1 1/2	1
29*	3256-23	Washer, 5/16 SAE.....	3
◆	3256-23	Washer, 5/16 SAE.....	4
30	49-2810	Link, Control.....	1

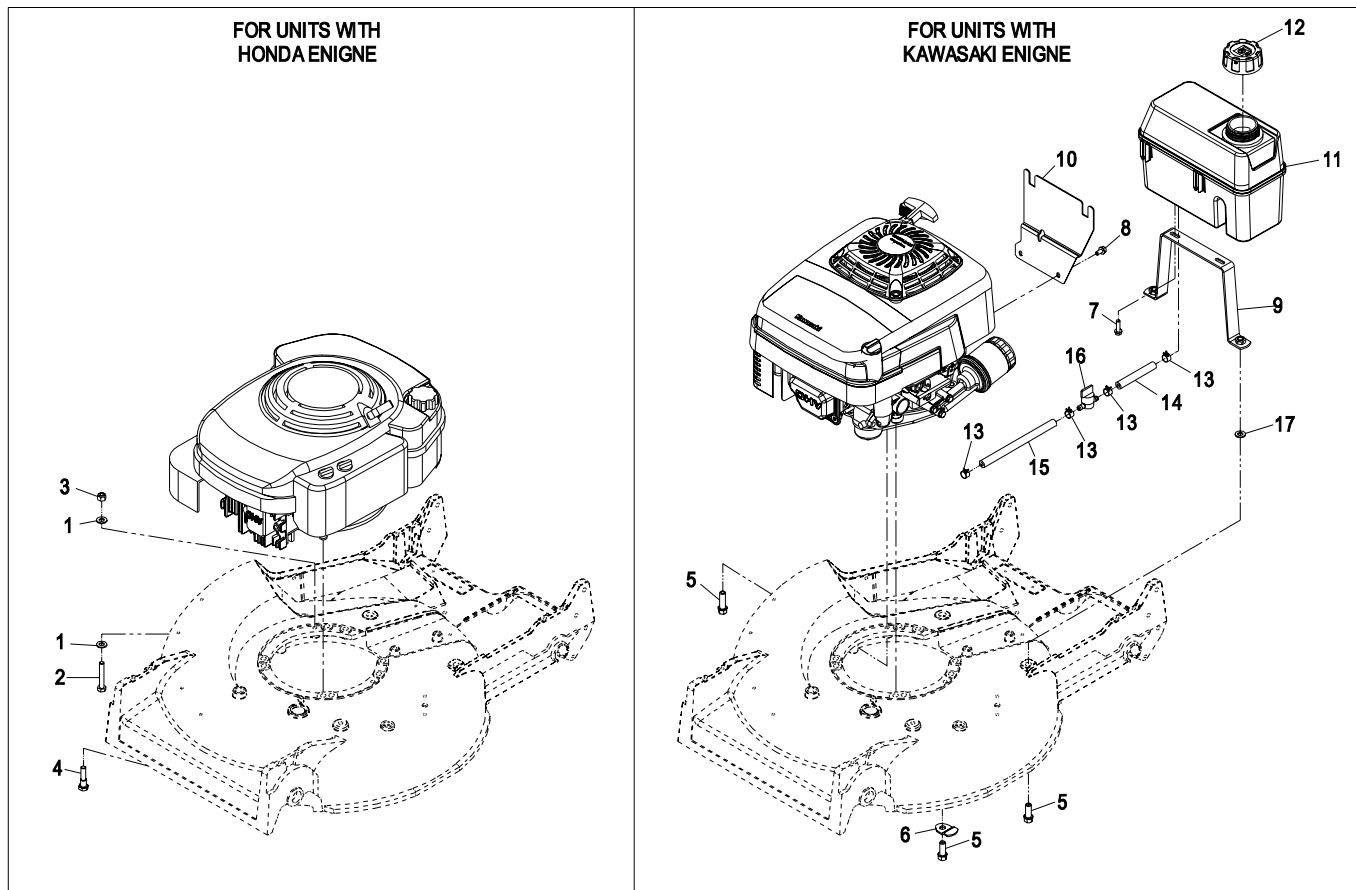
Item	Part No.	Description	Qty.
31	49-7960	Bellcrank.....	1
32	49-7950	Sleeve, Bellcrank.....	1
33	49-2820	Lever	1
34	32104-96	Screw, HH 1/4-20 x 1 3/8 Tap.....	1
35	49-7970	Spring, Torsion	1
36	70-1160	Washer.....	1
37	85-6880	Spring, Torsion	1
38	84-9130	Arm, Idler.....	1
39	100-6486	Belt	1
40	46-5650	Pulley, Idler.....	1
41	46-5631	Hub, Idler Pulley	2
42	322-6	Screw, HH 5/16-18 x 1 1/4.....	1
43	3296-47	Nut, Nyloc 5/16-18	1
44*	32144-70	Screw, HWH 5/16-18 x 3/4 TF	2
◆	32144-70	Screw, HWH 5/16-18 x 3/4 TF	3
45	84-9180	Asm, Brake Plate.....	1
46	3272-1	Pin, Cotter 1/16 x 1/2	2
47	84-9050	Pin, Spring.....	1
48	65-5280	Retainer, Spring.....	1
49	84-9100	Spring.....	1
50	46-7040	Screw, HWH #8-16 x 1 1/2 TF	1
51	106-0842	Guide, Spring.....	1
52	107-4087-03	Bracket, Spring	1
53	84-9040	Pin, Cable.....	1
54□	68-9780	Bearing.....	2
55*	84-8930	Shield, Retainer	2
◆	84-8930	Shield, Retainer	3
56*	3296-39	Nut, Nyloc 3/8-16.....	2
◆	3296-39	Nut, Nyloc 3/8-16.....	4
57*	323-6	Screw, HH 3/8-16 x 1.....	2
◆	323-6	Screw, HH 3/8-16 x 1.....	3
58◆	80-6990	Washer.....	1
59◆	323-7	Screw, HH 3/8-16 x 1 1/4.....	1

- + For push units.
- ✘ For self-propelled units.
- * For units with Kawasaki engine.
- ◆ For units with Honda engine.
- Included with deck assembly P/N 100-3288.

BLADE ASSEMBLY



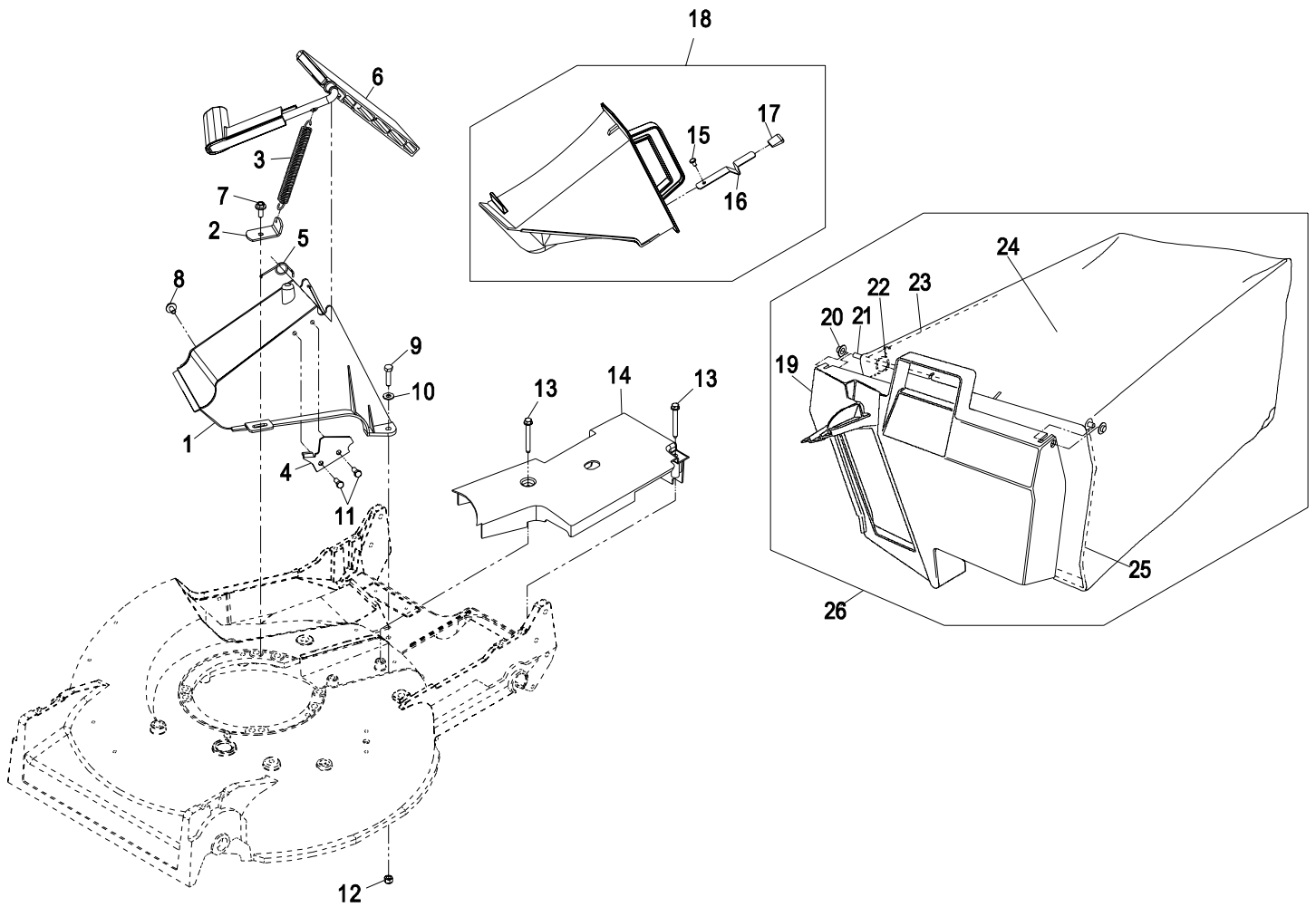
ENGINE ASSEMBLY



Item	Part No.	Description	Qty.
1	3256-23	Washer, 5/16 SAE.....	2
2	322-10	Screw, HH 5/16-18 x 2.....	1
3	3296-29	Nut, Nyloc 5/16-18.....	1
4	103-2678	Screw, HH 5/16-24 x 1 1/5 Sp.....	3
5	95-1727	Screw, HWH 3/8-16 x 1 1/4 Taptite.....	6
6	84-8930	Shield, Retainer.....	1
7	46-8091	Screw, HWH 1/4-10 x .82 Plastite.....	2
8	104-2628	Screw, HWH M6-1 x 12mm TF.....	3
9	107-4131-03	Base, Tank.....	1

Item	Part No.	Description	Qty.
10	106-0908-03	Bracket, Tank.....	1
11	106-0625	Tank, Gas.....	1
12	93-7198	Asm, Gas Cap.....	1
13	2412-98	Clamp.....	4
14	106-0999	Line, Fuel.....	1
15	47-2983	Line, Fuel.....	1
16	1-603770	Valve, Fuel.....	1
17	80-6990	Washer.....	1

DISCHARGE DOOR, PLUG and BAG ASSEMBLY



Item	Part No.	Description	Qty.
1	82-9152	Tunnel, Discharge.....	1
2	71-9350	Bracket, Spring	1
3	76-4660	Spring, Door.....	1
4	93-3154	Latch, Plate.....	1
5	80-3770	Retainer, Door.....	1
6	93-7351	Asm, Discharge Door.....	1
7	46-6811	Screw, HWH 1/4-20 x 3/4 Tapite	1
8	46-6810	Screw, HWH 1/4-20 x 1/2 Tapite	1
9	321-7	Screw, HH 1/4-20 x 1 1/8	2
10	3256-22	Washer, 1/4 SAE	2
11	46-8090	Screw, HH 1/4-10 x .60 Plastite.....	2
12	3296-42	Nut, Nyloc 1/4-20	2
13	37-7260	Screw, HH 1/4-20 x 2 SP	2
14+	63-9441	Cover, Belt.....	1
x	74-1770	Cover, Belt.....	1

Item	Part No.	Description	Qty.
15	3295-35	Rivet	1
16	76-4640	Latch, Discharge Plug.....	1
17	76-4650	Grip, Latch.....	1
18	77-0500	Asm, Discharge Plug	1
19	48-2840	Door, Grass Bag.....	1
20	3290-422	Nut, Push.....	2
21	33-4820	Hinge, Bag Door	1
22	36-6910	Spring.....	2
23	42-4030	Frame, Upper Bag	1
24	98-8017	Bag, Grass.....	1
25	42-4020	Frame, Bag.....	1
26	100-2886	Asm, Grass Bag.....	1

- + For push units.
- x For self-propelled units.

HANDLE ASSEMBLY for PUSH UNITS

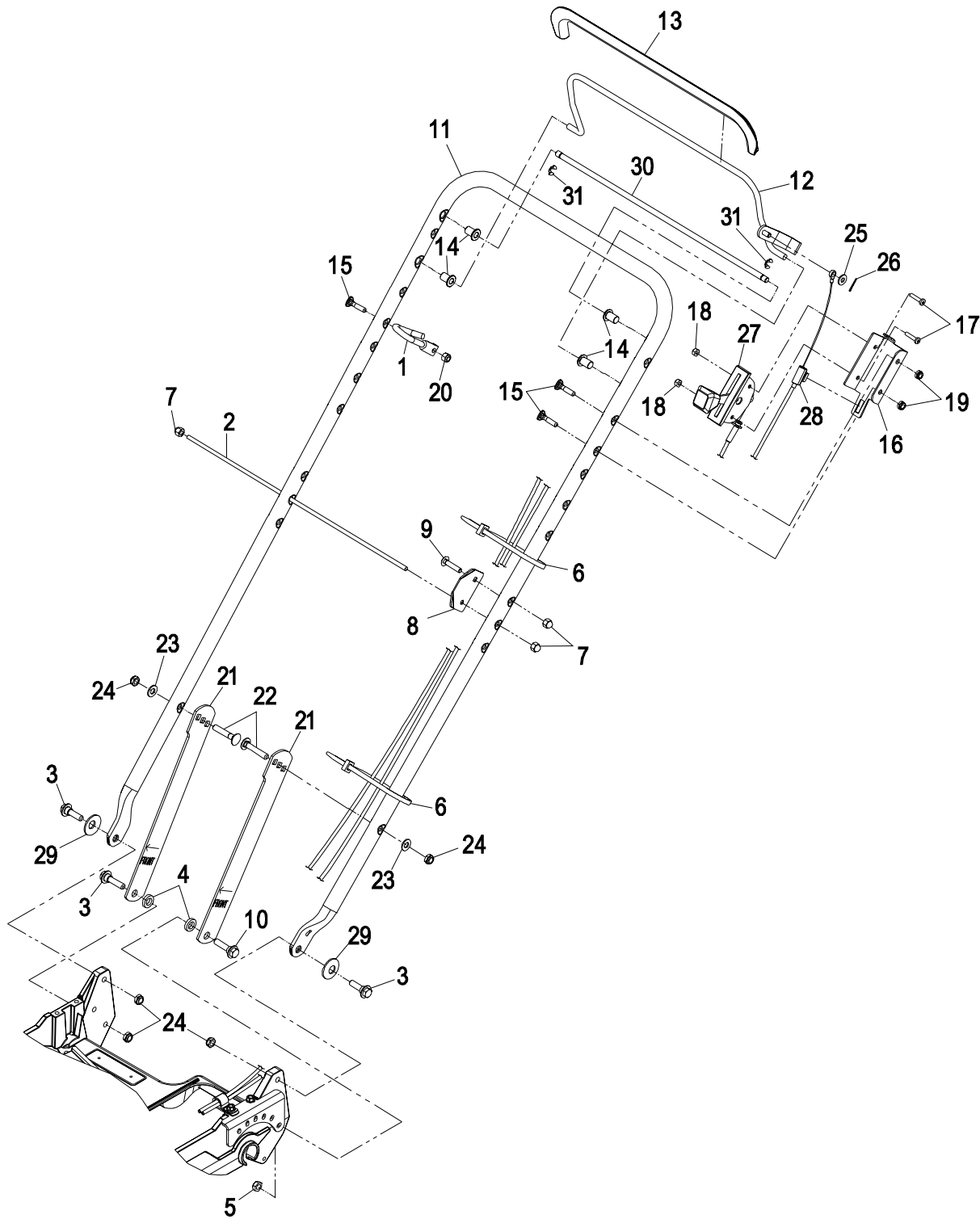
Item	Part No.	Description	Qty.
1	46-8081	Guide, Rope.....	1
2	103-7681	Rod, Bag Support	1
3	27-7210	Screw, Shoulder 5/16-18 x 1 3/8	3
4	3-3287	Spacer, Handle	2
5	3296-47	Nut, Nyloc 5/16-18 Thin.....	1
6	3290-378	Tie, Cable	2
7*	32111-7	Nut, Cap 1/4-20.....	2
◆	32111-7	Nut, Cap 1/4-20.....	3
8◆	104-1326	Plate, Bag Aligning.....	1
9◆	3229-3	Bolt, Carriage 1/4-20 x 1 1/4	1
10	27-7211	Screw, Shoulder 5/16-18 x 1 3/16	1
11	103-5134-03	Handle	1
12	103-7924	Wld, Brake Bail	1
13	103-5137	Pad, Handle	1
14	109-2713	Bushing.....	4
15	92-2268	Screw, Handle 1/4-20 x 1 1/4	3
16	103-5140-03	Bracket, Throttle.....	1

Item	Part No.	Description	Qty.
17	3250-27	Screw, PPH #10-24 x 7/8.....	2
18	3296-2	Nut, Nyloc #10-24	2
19	3296-56	Nut, Nyloc 1/4-20 Thin	2
20	3296-42	Nut, Nyloc 1/4-20	1
21	103-4523-03	Latch, Handle	2
22	3230-4	Bolt, Carriage 5/16-18 x 1 1/2	2
23	3256-23	Washer, 5/16 SAE	2
24	3296-72	Nut, Nyloc 5/16-18	5
25	3256-22	Washer, 1/4 SAE	1
26	3272-1	Pin, Cotter 1/16 x 1/2	1
27*	103-4518	Cable, Throttle Kawasaki	1
◆	103-5141	Cable, Throttle Honda.....	1
28*	103-4519	Cable, Brake Kawasaki	1
◆	103-5152	Cable, Brake Honda.....	1
29	1-603610	Washer, Spring Disk 7/16	2
30	109-2247	Rod, Bail Stop.....	1
31	32151-73	Ring, Clip.....	2

* For units with Kawasaki engine.

◆ For units with Honda engine.

HANDLE ASSEMBLY for PUSH UNITS



HANDLE ASSEMBLY for SELF-PROPELLED UNITS WITHOUT BLADE BRAKE CLUTCH

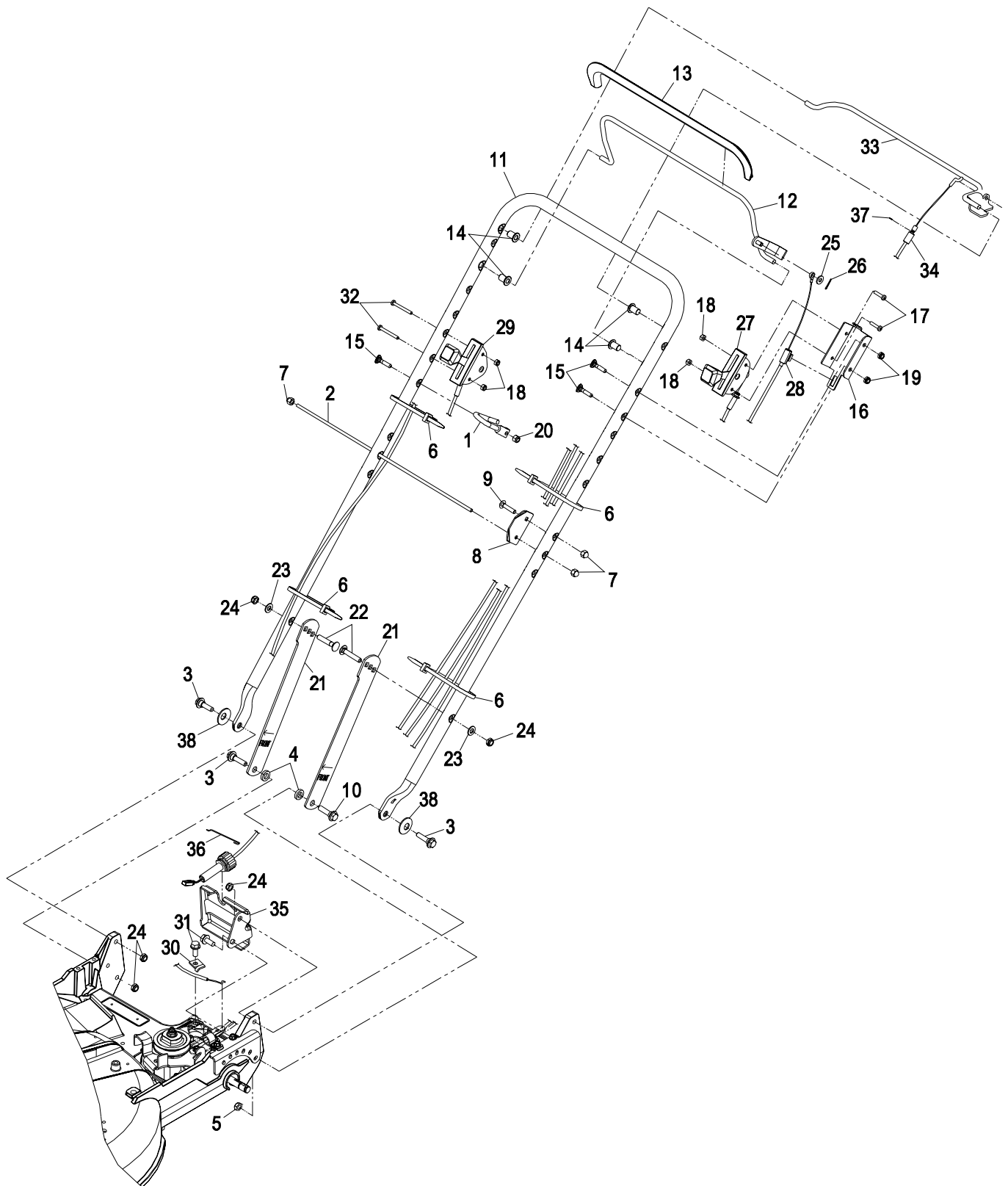
Item	Part No.	Description	Qty.
1	46-8081	Guide, Rope.....	1
2	103-7681	Rod, Bag Support	1
3	27-7210	Screw, Shoulder 5/16-18 x 1 3/8	3
4	3-3287	Spacer, Handle	2
5	3296-47	Nut, Nyloc 5/16-18 Thin.....	1
6	3290-378	Tie, Cable	4
7*	32111-7	Nut, Cap 1/4-20.....	2
◆	32111-7	Nut, Cap 1/4-20.....	3
8◆	104-1326	Plate, Bag Aligning.....	1
9◆	3229-3	Bolt, Carriage 1/4-20 x 1 1/4	1
10	27-7211	Screw, Shoulder 5/16-18 x 1 3/16	1
11	103-5134-03	Handle	1
12	103-7924	Wld, Brake Bail	1
13	103-5137	Pad, Handle	1
14	109-2713	Bushing.....	4
15	92-2268	Screw, Handle 1/4-20 x 1 1/4	3
16	103-5140-03	Bracket, Throttle.....	1
17	3250-27	Screw, PPH #10-24 x 7/8	2
18	3296-2	Nut, Nyloc #10-24	4
19	3296-56	Nut, Nyloc 1/4-20 Thin	2
20	3296-42	Nut, Nyloc 1/4-20	1

* For units with Kawasaki engine.

◆ For units with Honda engine.

Item	Part No.	Description	Qty.
21	103-4523-03	Latch, Handle	2
22	3230-4	Bolt, Carriage 5/16-18 x 1 1/2	2
23	3256-23	Washer, 5/16 SAE	2
24	3296-72	Nut, Nyloc 5/16-18.....	5
25	3256-22	Washer, 1/4 SAE	1
26	3272-1	Pin, Cotter 1/16 x 1/2	1
27*	103-4518	Cable, Throttle Kawasaki	1
◆	103-5141	Cable, Throttle Honda.....	1
28*	103-4519	Cable, Brake Kawasaki.....	1
◆	103-5152	Cable, Brake Honda.....	1
29	103-5148	Cable, Shifter.....	1
30	62-3720	Clamp, Cable.....	1
31	32144-70	Screw, HWH 5/16-18 x 3/4 TF	2
32	3250-48	Screw, PPH #10-24 x 1 3/4.....	2
33	103-7925	Wld, Traction Bail.....	1
34	103-5142	Cable, Traction	1
35	74-1741	Bracket, Traction Adjustment	1
36	46-7030	Retainer, Cable.....	1
37	32151-86	E-ring.....	1
38	1-603610	Washer, Spring Disk 7/16	2

HANDLE ASSEMBLY for SELF-PROPELLED UNITS WITHOUT BLADE BRAKE CLUTCH



HANDLE ASSEMBLY for SELF-PROPELLED UNITS WITH BLADE BRAKE CLUTCH

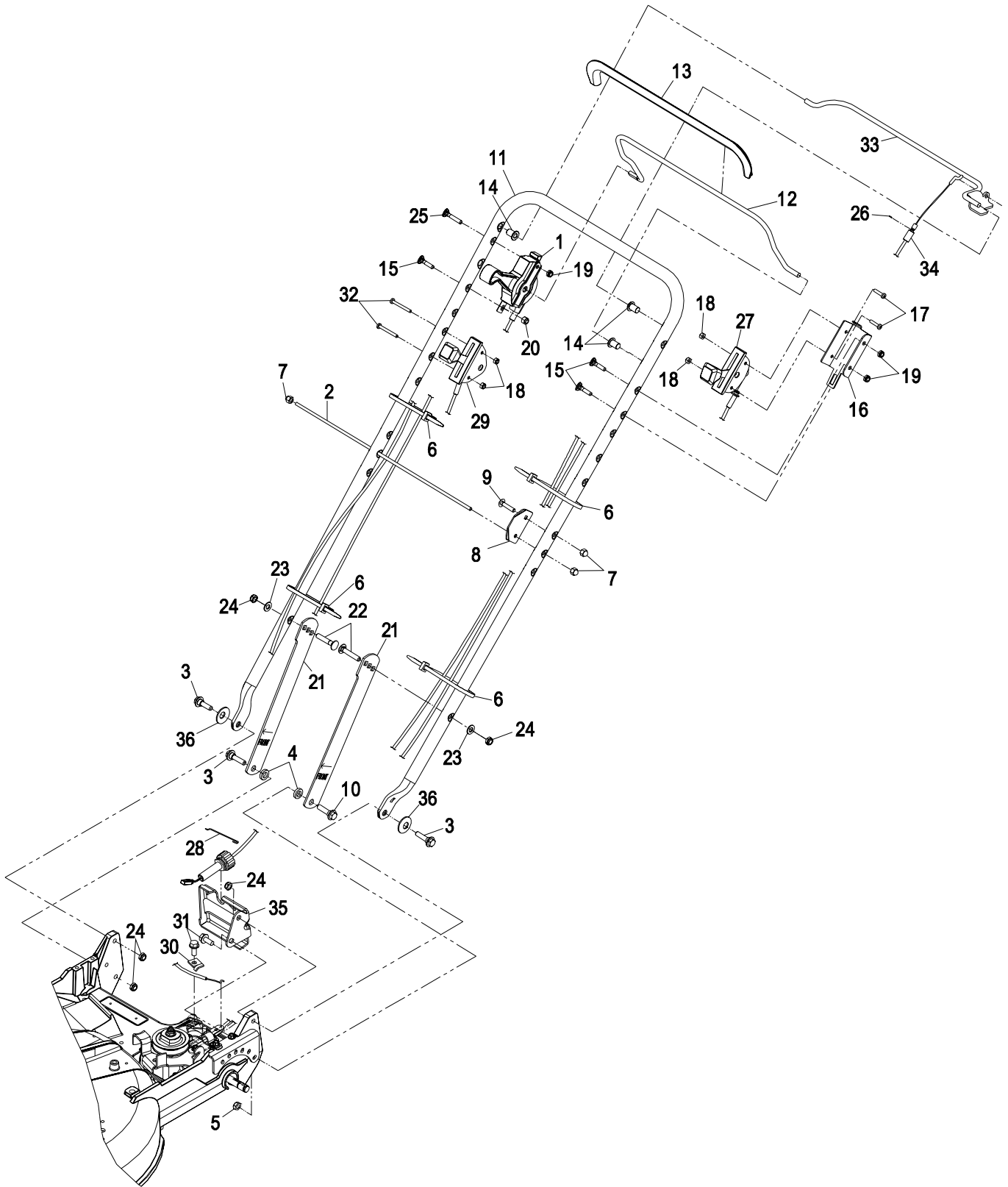
Item	Part No.	Description	Qty.
1	103-5143	Control, BBC.....	1
2	103-7681	Rod, Bag Support	1
3	27-7210	Screw, Shoulder 5/16-18 x 1 3/8	3
4	3-3287	Spacer, Handle	2
5	3296-47	Nut, Nyloc 5/16-18 Thin.....	1
6	3290-378	Tie, Cable	4
7*	32111-7	Nut, Cap 1/4-20.....	2
◆	32111-7	Nut, Cap 1/4-20.....	3
8◆	104-1326	Plate, Bag Aligning.....	1
9◆	3229-3	Bolt, Carriage 1/4-20 x 1 1/4	1
10	27-7211	Screw, Shoulder 5/16-18 x 1 3/16	1
11	103-5134-03	Handle	1
12	109-2746	Bail, Brake	1
13	103-5137	Pad, Handle	1
14	109-2713	Bushing.....	3
15	92-2268	Screw, Handle 1/4-20 x 1 1/4	3
16	103-5140-03	Bracket, Throttle.....	1
17	3250-27	Screw, PPH #10-24 x 7/8	2
18	3296-2	Nut, Nyloc #10-24	4

* For units with Kawasaki engine.

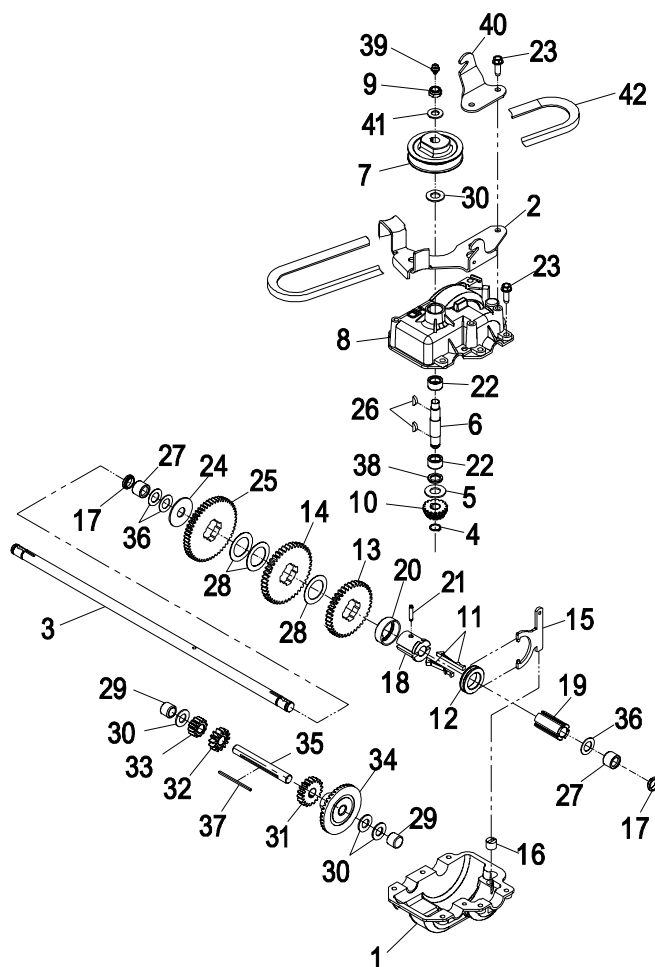
◆ For units with Honda engine.

Item	Part No.	Description	Qty.
19	3296-56	Nut, Nyloc 1/4-20 Thin	3
20	3296-42	Nut, Nyloc 1/4-20	1
21	103-4523-03	Latch, Handle	2
22	3230-4	Bolt, Carriage 5/16-18 x 1 1/2	2
23	3256-23	Washer, 5/16 SAE	2
24	3296-72	Nut, Nyloc 5/16-18	5
25	95-4453	Screw, Handle 1/4-20 x 2.....	1
26	32151-86	E-ring.....	1
27*	103-4518	Cable, Throttle Kawasaki	1
◆	103-5141	Cable, Throttle Honda.....	1
28	46-7030	Retainer, Cable.....	1
29	103-5148	Cable, Shifter.....	1
30	62-3720	Clamp, Cable.....	1
31	32144-70	Screw, HWH 5/16-18 x 3/4 TF	2
32	3250-48	Screw, PPH #10-24 x 1 3/4.....	2
33	103-7925	Wld, Traction Bail.....	1
34	103-5142	Cable, Traction	1
35	74-1741	Bracket, Traction Adjustment	1
36	1-603610	Washer, Spring Disk 7/16	2

HANDLE ASSEMBLY for SELF-PROPELLED UNITS WITH BLADE BRAKE CLUTCH



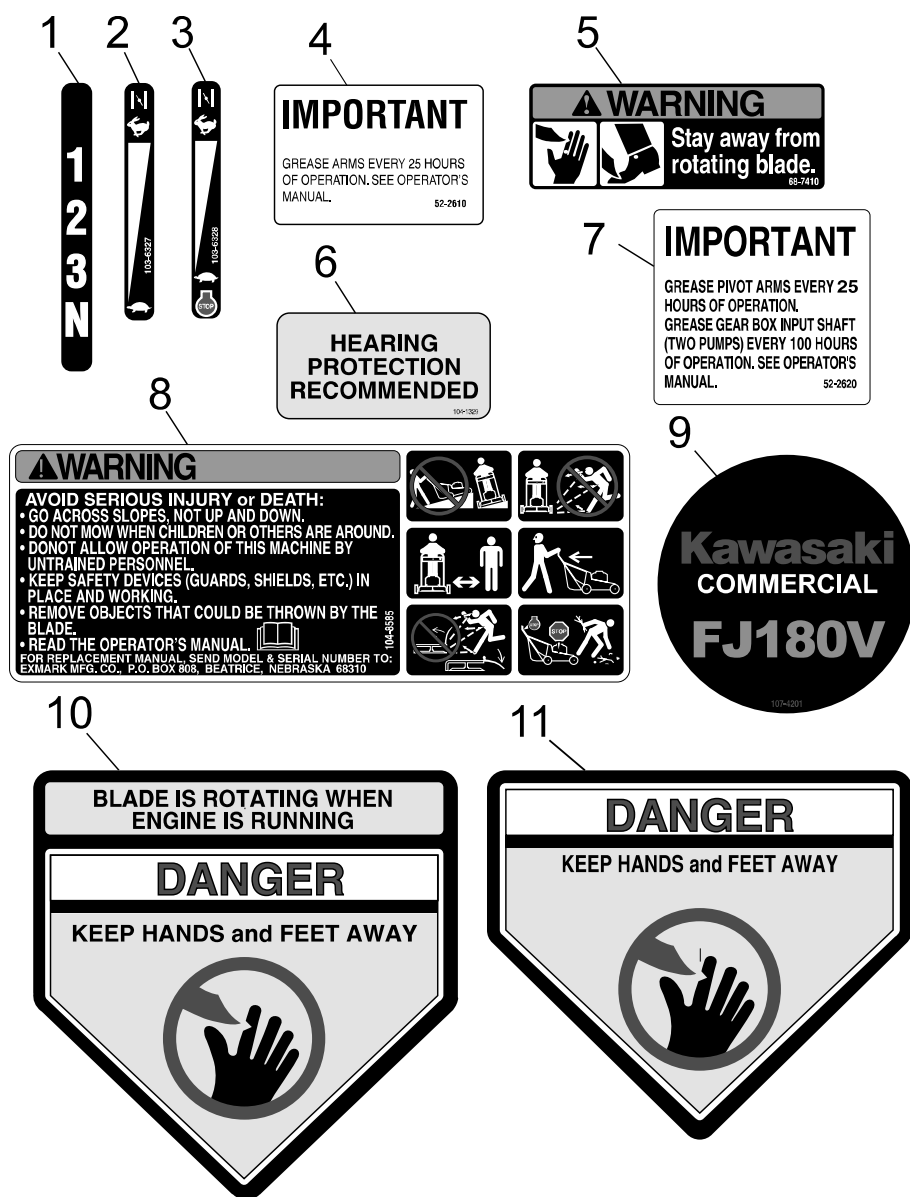
GEAR CASE ASSEMBLY for SELF-PROPELLED UNITS



Item	Part No.	Description	Qty.
1	74-1920	Gear Case, Lower	1
2	49-8461-03	Bracket, Belt Guide	1
3	74-1890	Shaft, Output.....	1
4	32151-57	Ring, Retaining	1
5	47-2910	Washer, Thrust	1
6	68-8190	Shaft, Input	1
7	39-6740	Pulley.....	1
8	74-1880	Gear Case, Upper.....	1
9	3296-5	Nut, Nyloc 3/8-24 Thin	1
10	39-6660	Pinion, Bevel 16T.....	1
11	29-9330	Key, Shift	2
12	29-9340	Collar, Shift	1
13	42-4740	Gear, 38T.....	1
14	29-9271	Gear, 42T.....	1
15	60-8870	Yoke, Shift	1
16	29-9570	Bushing, Yoke.....	1
17	47-6730	Seal, Oil	2
18	55-8010	Sleeve, Gear.....	1
19	39-6720	Sleeve.....	1
20	55-8020	Retainer, Key	1
21	3285-19	Pin, Groove.....	1
22	47-7270	Bearing	2

Item	Part No.	Description	Qty.
23	49-2040	Screw, HWH 1/4-20 x 3/4 TF	8
24	29-9690	Washer	1
25	46-3560	Gear, 52T	1
26	3257-1	Key, Woodruff 1/8 x 1/2	2
27	48-2060	Bearing, Roller.....	2
28	36-4770	Washer	3
29	252-103	Bearing, Closed	2
30	36-4792	Washer, Thrust	4
31	39-6650	Gear, 18T	1
32	46-3550	Gear, 14T	1
33	46-3540	Gear, 12T	1
34	74-1760	Gear, Bevel 40T.....	1
35	53-7950	Shaft, Intermediate	1
36	36-4780	Washer	3
37	39-7842	Key, Machine 3/32 SQ x 2 1/8	1
38	47-7260	Seal	1
39	302-63	Zerk	1
40	74-1750-03	Brake Engage, Traction	1
41	3256-45	Washer, Flat	1
42	1-213237	Belt	1
43	74-1861	Asm, Gear Case Complete Includes Items 1-41	1

DECALS



Item	Part No.	Description	Qty.
1✘	103-6329	Decal, Shifter	1
2●	103-6327	Decal, Throttle/Choke	1
3■	103-6328	Decal, Throttle/Choke	1
4+	52-2610	Label, Grease	1
5	68-7410	Decal, Blade	1
6	104-1329	Decal, Protection, Hearing	1

Item	Part No.	Description	Qty.
7✘	52-2620	Label, Grease	1
8	104-8585	Decal, Warning	1
9*	107-4201	Decal, Recoil	1
10●	39-5770	Decal, Danger.....	1
11■	43-8480	Decal, Danger.....	1

- For units **without** blade brake clutch.
- For units **with** blade brake clutch.
- + For push units.
- ✘ For self-propelled units.
- * For units with Kawasaki engine.

NOTES

SEE EXMARK'S COMPLETE LINE OF ACCESSORIES

RIDING ACCESSORIES

CUSTOM RIDE SEAT SUSPENSION SYSTEM
DECK LIFT ASSIST KIT
HITCH KIT
LIGHT KIT
MICRO-MULCH SYSTEM
ROLL OVER PROTECTION SYSTEM (ROPS)
SNOW BLADE
SUN SHADE
TRASH CONTAINER
TURF STRIPER
ULTRA VAC COLLECTION SYSTEM
ULTRA VAC QUICK DISPOSAL SYSTEM

WALK BEHIND ACCESSORIES

GRASS CATCHER
MICRO-MULCH SYSTEM
STEERABLE SULKY
SULKY HITCH KIT
TURF STRIPER
STANON

Check us out on the Web:
www.exmark.com

© 1997-2005 EXMARK MFG. CO. INC.
INDUSTRIAL PARK BOX 808
BEATRICE, NE 68310

PART NO. 109-3064 Rev. A
(402) 223-6300
FAX (402) 223-5489

ALL RIGHTS RESERVED

PRINTED IN U.S.A.

