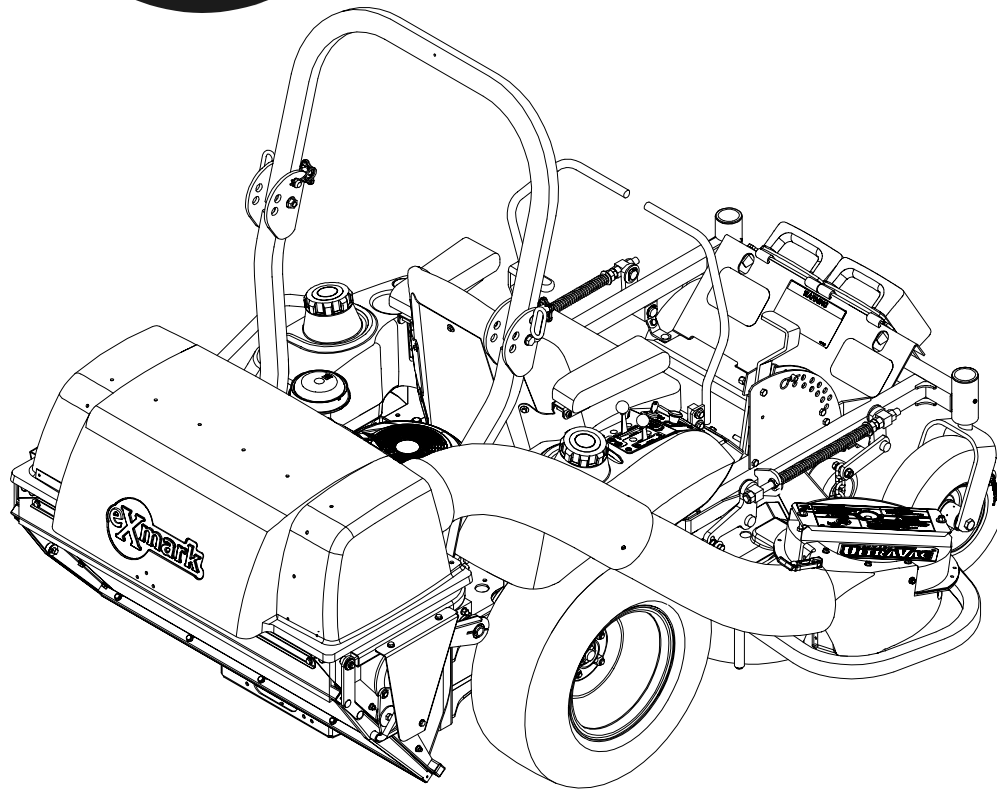


For Serial Nos.
510,000 & Higher



ULTRA VAC™ QDS

LAZER Z® HP MODELS


OPERATOR'S MANUAL

CONGRATULATIONS on the purchase of your new Exmark equipment. This product has been carefully designed and manufactured to give you a maximum amount of dependability and years of trouble-free operation. If additional information is needed, or should you require trained mechanic service, contact your authorized Exmark equipment dealer or distributor. If you need to order replacement parts from your dealer, always give the model number and serial number of your equipment as well as the part number, description and quantity of the part needed.

The Serial No. plate is located on the front mount of the hopper assembly. For ease of ordering and reference, we suggest that you record the information requested in the following identification table.

Place Model No. and Serial No. Label Here (Included in Literature Pack) or Fill in Below
Model No. _____
Serial No. _____

Date Purchased _____

 WARNING	
POTENTIAL HAZARD	◆ This product is a piece of power equipment.
WHAT CAN HAPPEN	◆ Failure to follow safe operating practices can result in serious operator injury or even death.
HOW TO AVOID THE HAZARD	<ul style="list-style-type: none">◆ Keep all shields, guards and safety devices (especially the grass discharge system) in place and in proper working condition.◆ Stop engine and wait for all moving parts to stop. Remove spark plug wire(s) or remove key before adjusting, servicing, or performing maintenance.◆ If mower deck or blower becomes clogged, stop engine and wait for all moving parts to stop. Remove spark plug wire(s) or remove key before cleaning blockage.◆ Keep hands, feet and clothing away from power driven parts.◆ Keep off mower unless seat platform is provided.◆ Keep others off mower.

Exmark reserves the right to make changes or add improvements to its products at any time without incurring any obligation to make such changes to products manufactured previously. Exmark, or its distributors and dealers, accept no responsibility for variations which may be evident in the actual specifications of its products and the statements and descriptions contained in this publication.

EXMARK PARTS PLUS® PROGRAM

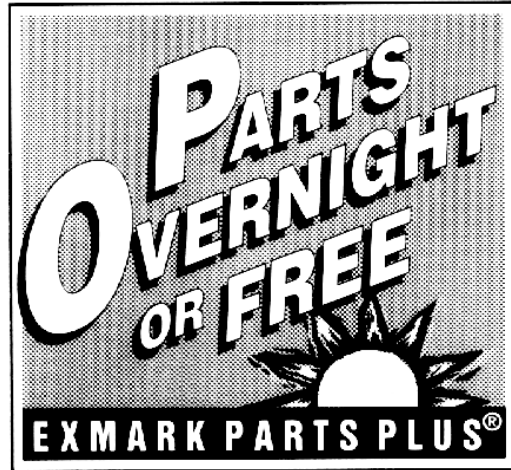
EFFECTIVE DATE: September 1, 1995

Program

If your Exmark dealer does not have the Exmark part in stock, Exmark will get the parts to the dealer the next business day or the part will be FREE* Guaranteed!!

How the Program Works

1. If dealer does not have part in stock for a "down" unit at the time of request by customer, the dealer contacts his distributor by 1:00 p.m., local time, and requests Exmark Parts Plus® shipment of six (6) line items or less.
2. Distributor ships part(s) to dealer or customer, as requested by dealer, same day, overnight UPS Distributor bills dealer for part and freight charges where applicable.
3. If distributor does not have the part(s) in stock to satisfy Exmark Parts Plus® order, he contacts Exmark by 3:00 p.m., central time, with an Exmark Parts Plus® order of six (6) line items or less.
4. If order is received by 3:00 p.m. central time, Exmark ships part(s) direct to dealer or customer, as requested by distributor, same day, overnight UPS Exmark bills the distributor for parts and shipping charges, where applicable.
5. The customer pays for the part and freight if it is shipped under the Exmark Parts Plus® and if it arrives in accordance to the program.
6. Who pays for the part and freight if it fails to arrive overnight in accordance to the program?
 - A. Under any circumstance the customer does not pay.
 - B. If the part does not arrive overnight due to:
 1. The dealer not submitting the Exmark Parts Plus® order to his Exmark distributor by 1:00 p.m., the dealer pays for the part and freight.
 2. The Distributor being unable to ship the part the same day or not submitting the Exmark Parts Plus® order to Exmark by 3:00 p.m., central time, the Distributor pays for the part and freight.
 3. Exmark being unable to ship the part and the Exmark parts order is received by 3:00 p.m., central time, Exmark pays for the part and freight.
 4. If the part does not arrive overnight due to the shipper (UPS), the shipper pays for the freight and Exmark pays for the part.



The following restrictions apply -- The Exmark Parts Plus® Program is available only through participating Exmark Dealers and applies only to orders submitted on this program Monday through Thursday. Parts Plus service is available only in the 48 contiguous United States. UPS has initiated a Saturday delivery program to many areas of the continental United States and can be requested for an overnight shipment on Friday to be delivered Saturday. The next day air charge, plus the Saturday delivery fee will be the responsibility of the purchaser. Exmark Mfg. will assume no responsibility for Saturday delivery shipments. To qualify, all Exmark Parts Plus® orders must be received by Exmark by 3:00 p.m., central time. Orders must be six (6) line items or less. Exclusions from the Exmark Parts Plus® Program are: Any wholegood or accessory in its entirety, engines and engine replacement parts, 5-speed Peerless transmissions and 5-speed transaxles, hydraulic or hydrostatic wheel motors, cutter decks and engine decks or any item exceeding United Parcel Service size and weight restrictions.

Due to UPS restrictions, aerosol spray paint is considered a hazardous material and cannot be shipped via UPS next day or Second Day Air.

Exmark Manufacturing stocks a limited supply of parts for transaxles, pumps and wheel motors. These parts can be ordered for Next Day Air shipment but will not be guaranteed per the Parts Plus Program.

OPERATOR'S MANUAL

This manual contains assembly, operating, maintenance, adjustment and safety instructions for your Exmark Ultra Vac QDS.

BEFORE OPERATING YOUR ULTRA VAC QDS, CAREFULLY READ AND UNDERSTAND THIS MANUAL AND THE OPERATOR'S MANUAL FOR YOUR MOWER IN THEIR ENTIRETY.

By following the operating, maintenance and safety instructions, you will prolong the life of your Ultra Vac QDS, maintain its maximum efficiency and promote safe operation.

If additional information is needed, or should you require trained mechanic service, contact your authorized Exmark equipment dealer or distributor.

All Exmark equipment dealers and distributors are kept informed of the latest methods of servicing and are equipped to provide prompt and efficient service in the field or at their service stations. They carry ample stock of service parts or can secure them promptly for you from the factory.


All Exmark parts are thoroughly tested and inspected before leaving the factory, however, attention is required on your part if you are to obtain the fullest measure of satisfaction and performance.

TABLE OF CONTENTS

<u>Description</u>	<u>Page</u>
1. Safety	
1.1 Safety Alert Symbol	1
1.2 Training	1
1.3 Preparation	1
1.4 Operation.....	2-3
1.5 Safety Signs	3-4
2. Specifications	
2.1 Model Numbers and Required Accessories	4
2.2 Dimensions.....	5
2.3 Bagging System	5
3. Assembly Instructions	
3.1 Assembly Diagram.....	5-6
3.2 Install Drive Kit.....	6-8
3.3 Install Weight Assembly.....	8
3.4 Install Hopper Assembly	8-9
3.5 Assemble Tubes	9
3.6 Install Blower Assembly	9-10
3.7 Adjustments.....	10-11
4. Operation	
4.1 Pre-Start	12
4.2 Mowing	12
4.3 Bagger Removal for Side Discharge.....	12-13
4.4 Transporting	13-14
5. Maintenance	
5.1 Periodic Maintenance	15-16
5.2 Adjustments.....	16
6. Tips and Troubleshooting	17
7. Warranty.....	18

1. SAFETY

1.1 SAFETY ALERT SYMBOL

This SAFETY ALERT SYMBOL  is used both in this manual and on the machine to identify important safety messages which must be followed to avoid accidents. This symbol means:

ATTENTION! BECOME ALERT! YOUR SAFETY IS INVOLVED!

The safety alert symbol appears above information which alerts you to unsafe actions or situations and will be followed by the word **DANGER**, **WARNING**, or **CAUTION**.

DANGER: White lettering / Red background. Indicates an imminently hazardous situation which, if not avoided, **WILL** result in death or serious injury.

WARNING: Black lettering / Orange background. Indicates a potentially hazardous situation which, if not avoided, **COULD** result in death or serious injury.


CAUTION: Black lettering / Yellow background. Indicates a potentially hazardous situation which, if not avoided, **MAY** result in minor or moderate injury.

1.2 TRAINING

- 1.2.1 Regard the Exmark Ultra Vac QDS as a piece of power equipment and teach this regard to all who operate this unit.
- 1.2.2 Before operating your Ultra Vac QDS, carefully read and understand this manual and the operator's manual for your mower in their entirety. Familiarize yourself with the controls and the proper use of the equipment. If the operator(s) or mechanic(s) can not read English, it is the owner's responsibility to explain this material to them.
- 1.2.3 Do not allow operation of this machine by untrained personnel. Never allow children, teenagers, or people unfamiliar with these instructions to use the mower. Local regulations may restrict the age of the operator.
- 1.2.4 Avoid mowing while people, especially children, or pets, are nearby. Keep in mind that the operator or user is responsible for accidents or hazards occurring to other people or their property.

1.3 PREPARATION


- 1.3.1 Evaluate the terrain to determine what accessories and attachments are needed to properly and safely perform the job. Only use accessories and attachments approved by Exmark.
- 1.3.2 The use of personal protective equipment, such as (but not limited to) protection for the eyes, ears, feet, and head is recommended.


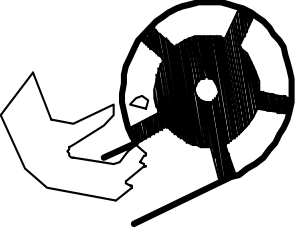

 CAUTION	
POTENTIAL HAZARD	◆ This machine produces sound levels in excess of 85 dBA at the operator's ear when in operation.
WHAT CAN HAPPEN	◆ Exposure to sound levels of 85 dBA or above for extended periods of time can cause hearing loss.
HOW TO AVOID THE HAZARD	◆ Wear hearing protection when operating this machine.

- 1.3.3 While mowing, always wear substantial footwear and long trousers. Do not operate equipment when barefoot or when wearing open sandals.
- 1.3.4 Thoroughly inspect the area where the equipment is to be used and remove all stones, sticks, wires, bones, and other foreign objects which may damage the equipment or cause personal injury to the operator or bystanders.


1.4 OPERATION

Although hazard control and accident prevention are partially dependent upon the design and configuration of the equipment, these factors are also dependent upon the awareness, concern, prudence, and proper training of the personnel involved in the operation, transport, maintenance, and storage of the equipment. It is essential that all Operator Safety Mechanisms be connected and in operating condition prior to use for mowing. Refer to the Operator's Manual for the mower for additional hazard control and accident prevention information.

 WARNING	
POTENTIAL HAZARD	
<ul style="list-style-type: none"> ◆ An uncovered discharge opening will allow objects to be thrown in operator's or bystander's direction. Also, contact with blade could occur. 	
WHAT CAN HAPPEN	
<ul style="list-style-type: none"> ◆ Thrown objects or blade contact can cause serious injury or kill you or bystanders. 	
HOW TO AVOID THE HAZARD	
<ul style="list-style-type: none"> ◆ Never operate mower unless discharge deflector, or entire grass collection system, or mulch kit is installed. 	

 DANGER		
	POTENTIAL HAZARD	
	<ul style="list-style-type: none"> ◆ There are rotating blades in the blower and under the mower deck. 	
	WHAT CAN HAPPEN	
	<ul style="list-style-type: none"> ◆ Blade contact can cause serious operator or bystander injury or even death. 	
	HOW TO AVOID THE HAZARD	
	<ul style="list-style-type: none"> ◆ Do NOT reach into Blower unless Rotation Indicator has Stopped. Disengage PTO, stop engine, remove key, WAIT FOR MOVING PARTS TO STOP ◆ Never operate mower unless discharge deflector, entire grass collection system, or mulch kit is installed. 	

- 1.4.1 Use **EXTREME** caution when mowing and/or turning on slopes as loss of traction and/or tip-over could occur. The operator is responsible for safe operation on slopes.

 DANGER	
POTENTIAL HAZARD	
<ul style="list-style-type: none"> ◆ Mowing on wet grass or steep slopes can cause sliding and loss of control. 	
WHAT CAN HAPPEN	
<ul style="list-style-type: none"> ◆ Wheels dropping over edges, ditches, steep banks, or water can cause rollovers, which may result in serious injury, death or drowning. 	
HOW TO AVOID THE HAZARD	
<ul style="list-style-type: none"> ◆ Do not mow slopes when grass is wet. ◆ Do not mow near drop-offs or near water. ◆ Do not mow slopes greater than 15 degrees. ◆ Reduce speed and use extreme caution on slopes. ◆ Avoid sudden turns or rapid speed changes. 	

- Use a walk behind mower and/or a hand trimmer near drop-offs, ditches, steep banks or water. This area can be dangerous, see Figure 1.

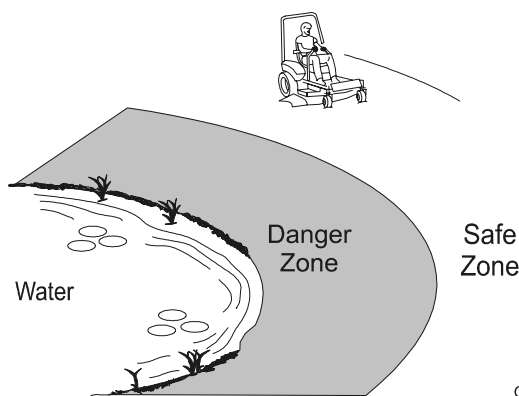


FIGURE 1
SAFE ZONE FOR MOWING

- Progressively greater care is needed as the slope increases.
- Always avoid sudden starting or stopping on a slope. If tires lose traction, disengage the blades and proceed slowly off the slope.
- Avoid sudden starts when mowing uphill. Mower may tip backwards.
- Be aware that loss of traction may occur going downhill. Weight transfer to the front wheels may cause drive wheels to slip and cause loss of braking and steering.
- Watch for ditches, holes, rocks, dips, and rises that change the operating angle, as rough terrain could overturn the machine.
- Remove or mark obstacles such as rocks, tree limbs, etc. from the mowing area. Tall grass can hide obstacles.
- The operating characteristics of the machine will change with the Ultra Vac QDS installed. The stability and traction of the machine will change as the Ultra Vac QDS hopper fills with grass clippings. Use progressively greater care on slopes as the hopper fills.
- Always install and remove the Ultra Vac QDS, including counterweights, as instructed. Failure to do so will cause a reduction in stability or traction. Do not operate the mower with only a portion of the Ultra Vac QDS installed.

1.5 SAFETY SIGNS

- 1.5.1 Keep all safety signs legible. Remove all grease, dirt and debris from safety signs and instructional labels.
- 1.5.2 Safety signs must be replaced if they are missing or illegible.
- 1.5.3 When new components are installed, be sure that current safety signs are affixed to the replaced components.
- 1.5.4 New safety signs may be obtained from your authorized Exmark equipment dealer or distributor or from Exmark Mfg. Co. Inc.
- 1.5.5 Safety signs may be affixed by peeling off the backing to expose the adhesive surface. Apply only to a clean, dry surface. Smooth to remove any air bubbles.
- 1.5.6 Familiarize yourself with the following safety signs and instruction labels. They are critical to the safe operation of your Exmark Ultra Vac QDS.

WARNING



- UNDER NORMAL USE, THIS BAG WILL DETERIORATE AND WEAR. OBJECTS MAY EXIT A WORN BAG AT HIGH SPEEDS CAUSING INJURY OR DEATH.
- CHECK BAG FREQUENTLY FOR TEARS AND HOLES.
- REPLACE BAG WITH AN ORIGINAL EQUIPMENT BAG THAT BEARS THIS WARNING.

1-653554

PART NO. 1-653554
LOCATION: Rear of Bags

WARNING

Ultra Vac and Ultra Vac counterbalance weight(s) combined incorrectly will cause Reduced Traction or Stability.

- To avoid Loss of Traction and Steering, Install Ultra Vac counterbalance weight(s) ONLY when Ultra Vac is installed.
- For correct Traction and Stability install weight(s) ONLY as indicated:

Installed Equipment	Weight Qty	Installed Equipment	Weight Qty
No Roll Bar and 2 bag Ultra Vac	0	Roll Bar and 2 bag Ultra Vac	1
No Roll Bar and QDS Ultra Vac	1	Roll Bar and QDS Ultra Vac	2

103-6604

For Units with a 2 Post ROPS only
PART NO. 103-6604
LOCATION: Top of Blower

WARNING

- Ultra Vac counterbalance weight installed without Ultra Vac may cause Loss of Traction and Steering.
- Ultra Vac installed without Ultra Vac counterbalance weight(s) will cause Reduction of Stability.
- Loss of Traction and Steering or Reduction of Stability may cause injury or death.
- Install weight(s) ONLY when Ultra Vac is installed.

103-6605

For Units with a 2 Post ROPS only
PART NO. 103-6605
LOCATION: Top of Front Weight

DANGER

COVER IS MISSING. DO NOT OPERATE THIS UNIT WHEN COVER IS NOT IN PLACE.

PART NO. 98-5954
LOCATION: Under Blower Cover

WARNING HOT SHEAVE
1-653558 ALLOW TO COOL →

PART NO. 1-653558
LOCATION: Top of Idler Arm


WARNING

- High Speed Discharge can cause Injury or Death.
- Do NOT run blower without discharge tube, hood and bags installed and latched.

CAUTION

- Read operator's manual.
- Hearing protection recommended.

DANGER



103-3508

DANGER

- Rotating Blades can cause Injury or Death.
- Do NOT reach into blower unless rotation indicator has stopped. Disengage PTO, stop engine, remove key, WAIT FOR MOVING PARTS TO STOP.
- Do NOT operate mower without deflector chute or entire bag system in place.

PART NO. 103-3508
LOCATION: Top of Blower

2. SPECIFICATIONS

2.1 MODEL NUMBERS AND REQUIRED ACCESSORIES

LHPUVD4448

44" Deck	Drive Kit
SN 220,000 & Higher	103-1315

48" Deck	Drive Kit
SN 220,000 & Higher	103-1314

LHPUVD52

52" Deck	Drive Kit
SN 220,000 & Higher	103-1317

2.2 DIMENSIONS

2.2.1 Overall unit length w/ Ultra Vac QDS:

44" Deck	94.58" (240.2 cm)
48" Deck	94.58" (240.2 cm)
52" Deck	93.00" (236.2 cm)

2.2.2 Overall unit width w/ Ultra Vac QDS:

44" Deck	58.47"(148.5 cm)
48" Deck	61.73"(159.8 cm)
52" Deck	66.47"(168.8 cm)

2.3 BAGGING SYSTEM

2.3.1 Weight: Lazer Z HP -220 lbs. (100 kg), including the front weight.

2.3.2 Collections bin: Commercial grade, steel & polyethylene hopper with rear discharge door, commercial grade cloth mesh door panel.

Capacity: 6.7 bushels

2.3.3 Dump Mechanism: Single motion actuation from operator's seat.

2.3.4 Blower tube: fixed, abrasion resistant molded polyethylene

2.3.5 Impeller: 5-bladed, 0.25" thick abrasion resistant steel, with vertical axis.

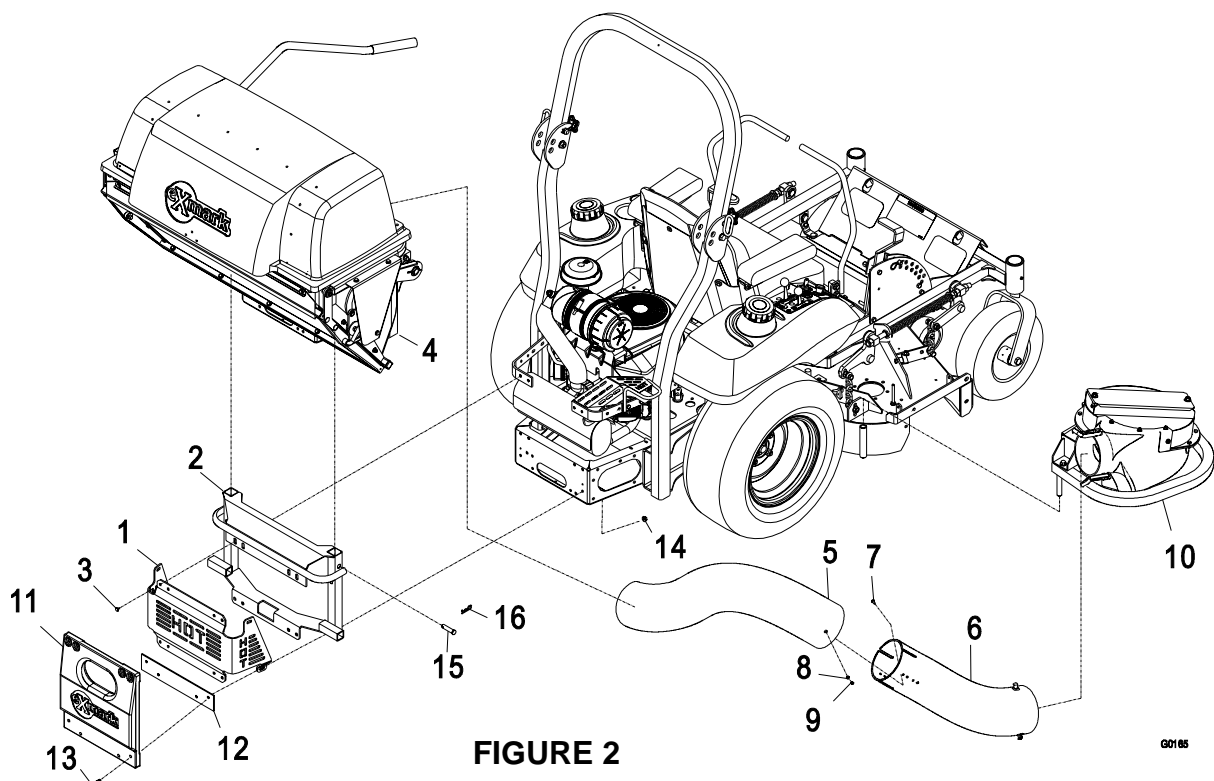
2.3.6 Impeller bearings: 1" (2.54 cm) sealed "non-greaseable bearings"

3. ASSEMBLY INSTRUCTIONS

3.1 ASSEMBLY DIAGRAMS

Key	Qty	Description
1	Ref	Engine Guard 44,48 only
2	1	Bagger Mount Weldment
3	8	5/16 – 18 X 1.00 Hex Head Screw
4	1	Hood Assembly
5	1	Upper Tube
6	1	Lower Tube Assembly
7	3	#10 – 24 X .75 Hex Head Screw
8	3	#10 Flat Washer

Key	Qty	Description
9	3	#10 – 24 Nyloc Nut
10	1	Blower Assembly
11	Ref	Rear Weight (52 only)
12	Ref	Spacer (52 only)
13	8	5/16 – 18 X 1.75 Hex Head Screw
14	4	5/16-18 x 18 Whizlock Nut
15	2	Clevis Pin
16	2	Hair Pin



ULTRA VAC QDS DRIVE KIT

Key	Qty	Description
13	1	Spacer, Counterweight (52" decks)(See Figure 2)
18	1	Pin, Chute Pivot
19	1	Pin, Hair
20	2	Knob, Belt Shield
21	1	Sheave, Blower Drive
22	1	Belt, Blower
23	1	Cover, Belt
24	1	5/16 – 18 X .62 Hex Head Screw
25	1	Plug
26	2	Asm, Weight with Decals

FRONT WEIGHTS (Included with Ultra Vac QDS)

Key	Qty	Description
27	1	Plate, Weight Mounting
28	4	5/16-18 x 1 Hex Head Screw
*	4	5/16-18 x 1 ½ Hex Head Screw
29	4	Hairpin, Cotter

* 52" units with standard weight plate bolted to the front of the floor pan only.

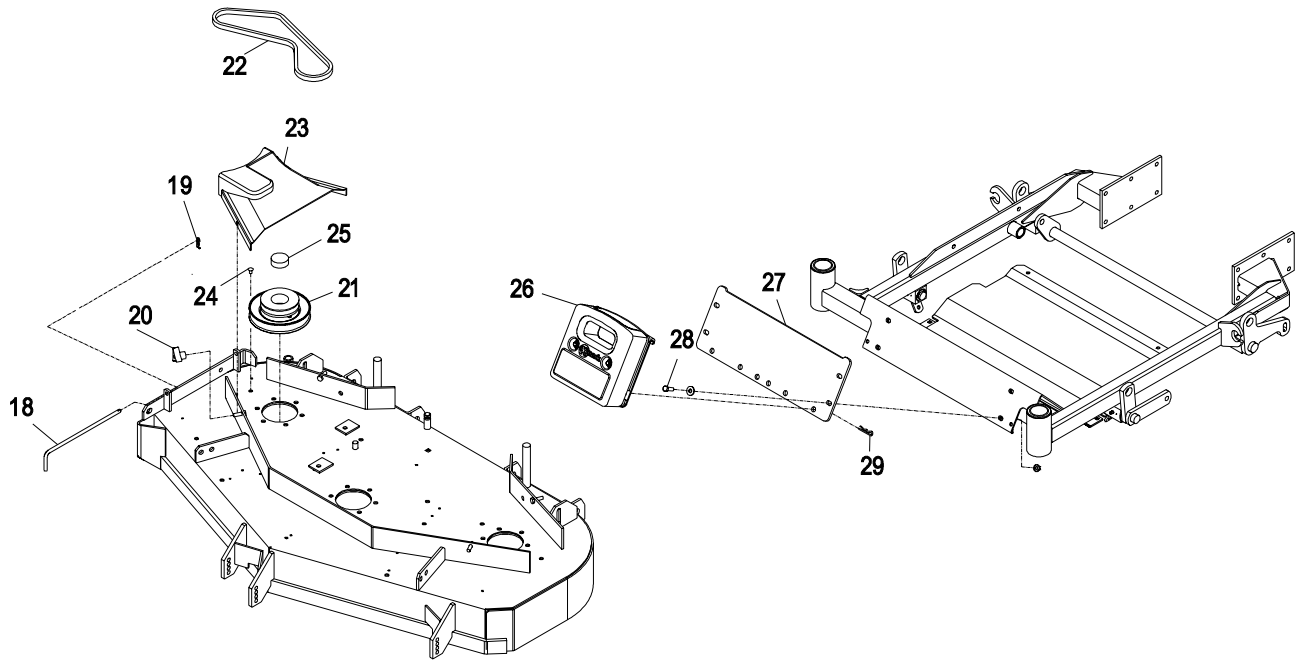


FIGURE 3

3.2 INSTALL DRIVE KIT

Install drive kit (PN 103-1314, 103-1315, or 103-1317 depending on deck size) per the following instructions. See section 3.3 for instructions regarding installation of weight kit 103-5629.

NOTE: The original belt shield stud must be removed for belt clearance.

3.2.1 Discharge Chute Replacement:

- a) Position mower on a flat surface.
- b) Stop engine, remove key, and wait for all moving parts to stop.
- c) Remove two (2) capscrews connecting the discharge chute to the deck. Remove the discharge chute.
- d) Re-Install the discharge chute using the chute pivot pin (Item 18) and hairpin (Item 19) provided as shown in Figure 4.

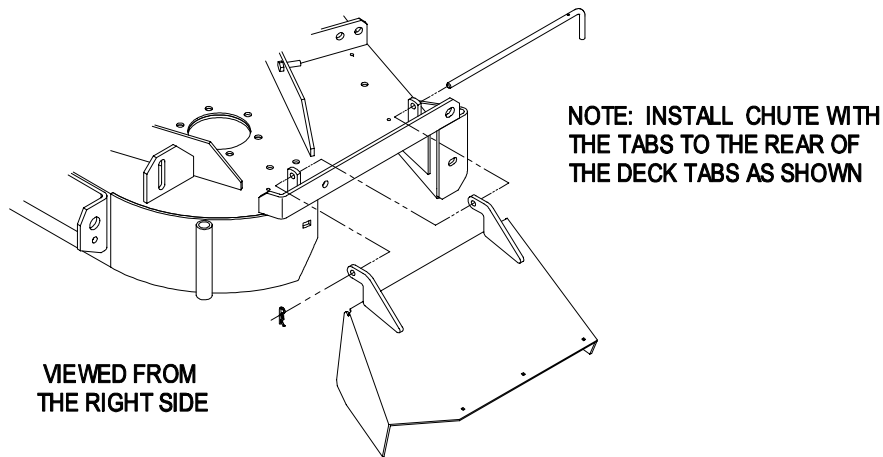


FIGURE 4

3.2.2 Blower Drive Sheave Installation:

- a) Remove the right side belt shield and the 5/16 x 3 1/4 bolt that secures the shield to the deck.
- b) Remove the deck drive belt from around the right sheave.
- c) Support the right mower blade so that it will not fall off when the right sheave nut is removed.
- d) Remove the right sheave nut, spring disk washer, and drive sheave from the spindle shaft.

NOTE: Block the blade rotation with a block of wood between the blade and baffles as indicated in the blade service section of the Lazer Z HP operator's manual. Do not use the blade bolt to prevent rotation.

- e) Apply a light coat of Mobil HTS grease (or a food grade antisieze) to the top portion of the spindle where the sheave mounts.
- f) Install the double sheave (Item 21) onto the right spindle shaft. Install the spring disk washer and nut removed in Step e). Make sure that the spring disk washer cone is installed towards nut (See Figure 5). Torque the sheave nut to:

3/4 -16 nut (1 1/4 Hex) – 140-145 ft. lbs.

NOTE: Block the blade rotation with a block of wood between the blade and baffles as indicated in the blade service section of the Lazer Z HP operator's manual. Do not use the blade bolt to prevent rotation.

TORQUE TO:
3/4-16 NUT (1 1/4 HEX) – 140-145 FT-LBS

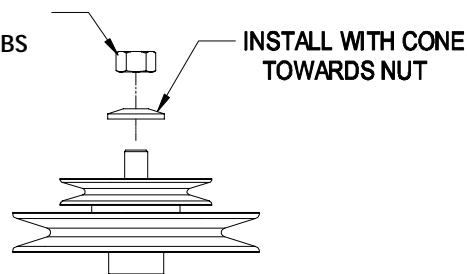


FIGURE 5

Check blade bolt torque after completing this installation:

For units with a 5/8-18 x 2 3/4 blade bolt, torque to 115-120 ft-lbs (156-163 N-m)

For units with a 1/2-20 x 2 blade bolt, torque to 55-60 ft. lbs (75-81N-m)

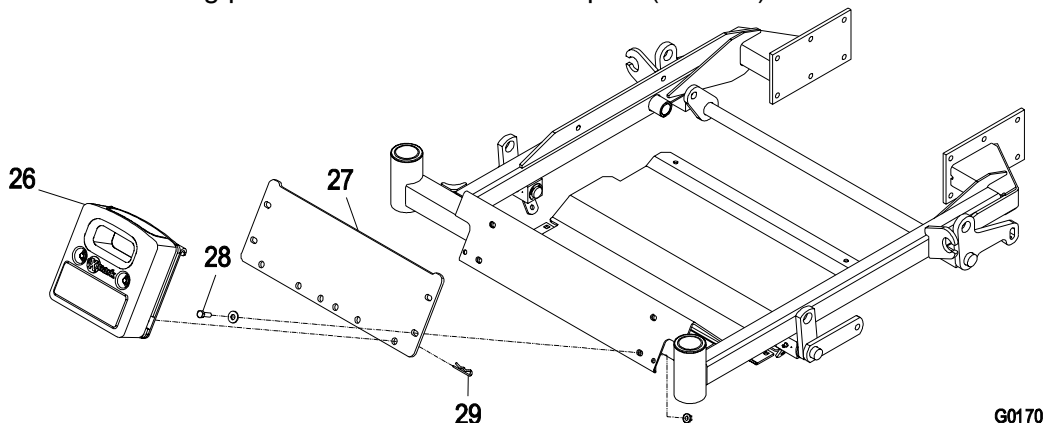
- g) Re-install the deck drive belt in the lower groove of the double sheave. Install plug (Item 25) into bore of double sheave.

- h) Install 5/16-18 x .62 screw (Item 24) into hole that 5/16 – 18 x 3 ¼ bolt was removed from on the deck. Use the whizlock nut removed in step 3.2.2 a). Install bolt with head to inside of deck.
- i) Install the new belt cover (Item 23) secure with the two belt shield knobs (Item 20) as shown in Figure 3.

NOTE: Do not re-install the 5/16 x 3 1/4 bolt that was removed in step 3.2.2 a).

3.3 INSTALL WEIGHT ASSEMBLY

- 3.3.1. Remove the hardware from the front of the floor pan. Discard the screws and retain the washer and whizlock nuts.
- 3.3.2. Assemble the weight mounting plate (Item 27) to the floor pan using (4) 5/16-18 x 1 Hex Head Screws (Item 28) and the (4) washers and (4) whizlock nuts removed in step 3.3.1.
Note: Some 52" units have a standard weight plate bolted to the front of the floorpan. Use the (4) 5/16-18 x 1 1/2 Hex Head Screws (Item 28) for this application and the (4) washers and (4) whizlock nuts removed in step 3.3.1.
- 3.3.3 *For units with SN 439,999 and lower without a 2 post ROPS installed:* Align one weight plate assembly (Item 26) with the two center mounting holes and hook over the top of the weight mounting plate. Secure with two hairpins (Item 29).
For units with SN 440,000 and higher (also required for units with SN 439,999 and lower with a 2 post ROPS installed): Align two weight plate assemblies (Item 26) with the outer mounting holes and hook over the top of the weight mounting plate. Secure with four hairpins (Item 29).



**FIGURE 6
WIEGHT ASSEMBLY INSTALLATION**

3.4 INSTALL HOPPER ASSEMBLY

44 and 48 inch units (52 inch units skip to step 3.4.4)

Remove the (12) bolts that retain the "HOT" engine guard shield (Item 1). Discard (8) of the bolts and retain (4). Keep all (12) nuts for reuse in step 3.4.3.

- 3.4.1. Working from the front side of the bagger mount, slide the top end of the engine guard up and into the mount. Pivot the lower end through the bagger mount and slide it down into place until the holes align with the holes in the bagger mount (See Figure 7).

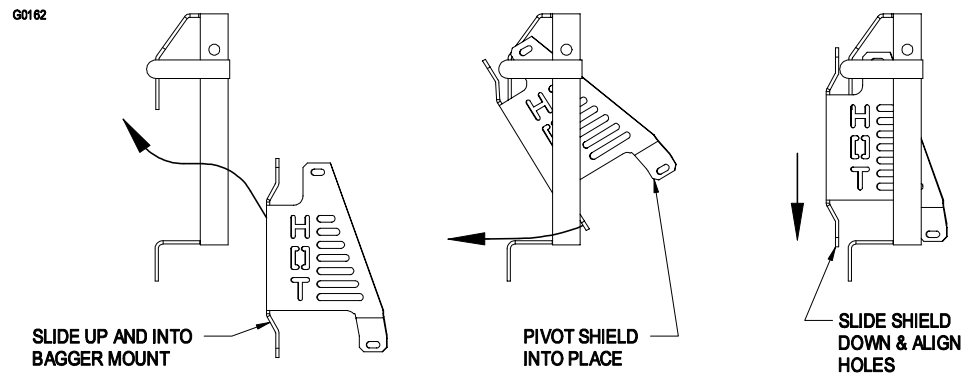


FIGURE 7

HOT ENGINE GUARD INSTALLATION

- 3.4.2. Install the Bagger Mount Weldment (Item 2) and engine guard shield using the (8) 5/16-18 x 1 Screws provided (Item 3) and (8) whizlock nuts removed in step 3.4.1.
- 3.4.3. Align the side holes in the engine guard shield to holes in the frame on each side of the unit. Reattach the sides of the engine guard shield using the (4) bolts and remaining (4) whizlock nuts retained in step 3.4.1. Continue at step 3.4.7.

52 inch units

- 3.4.4. Remove discard the (8) bolts that retain the rear weight (Item 12). Keep the whizlock nuts for use in step 3.4.6.
- 3.4.5. Install the Bagger Mount Weldment (Item 2) to the rear of the frame using (4) 5/16-18 x 1 screws (Item 3) and (4) 5/16-18 whizlock nuts (Item 14). Use only the bottom four holes on the Bagger Mount Weldment.
- 3.4.6. Install the Rear Weight (Item 12) and spacer (Item 13) from the drive kit using the (8) 5/16-18 X1.75 screws (Item 14) and whizlock nuts removed in step 3.4.4.

All units

- 3.4.7. Slide tube ends of Hopper Assembly (Item 4) into the tubes of the mount weldment. Install (2) clevis pins (Item 15) through holes in tubes. Retain with (2) Hair Pins (Item 16).

3.5 ASSEMBLE TUBES

- 3.5.1. Assemble the Upper (Item 6) and Lower (Item 7) Tubes using the (3) #10-24 x .75 Hex Washer Head Screws (Item 8), (3) #10 washers (Item 9), and (3) #10-24 Nyloc Nuts (Item 10). Screw head should be installed to the inside of the tube to provide minimum obstruction to flow. Make sure the hole with the arrow on the Upper Tube aligns with the dimple in the Lower Tube to place the turnout on the Upper Tube in the correct position.

For units with a 44" deck: Slide the upper tube over the lower tube until edge of upper tube matches up with the dimple in lower tube labeled 44.

For units with a 48" deck: Slide Upper Tube over Lower Tube until edge of Upper Tube matches up with the dimple in lower tube labeled 48.

For units with a 52" deck: Slide upper tube over Lower Tube until edge of upper tube matches up with the dimple in the lower tube

3.6 INSTALL BLOWER ASSEMBLY

- 3.6.1. Remove the belt guide on the blower (Item 11). (See Figure 8)
- 3.6.2. Install the belt (from the Drive Kit) onto the Blower Assembly (Item 11) as shown.

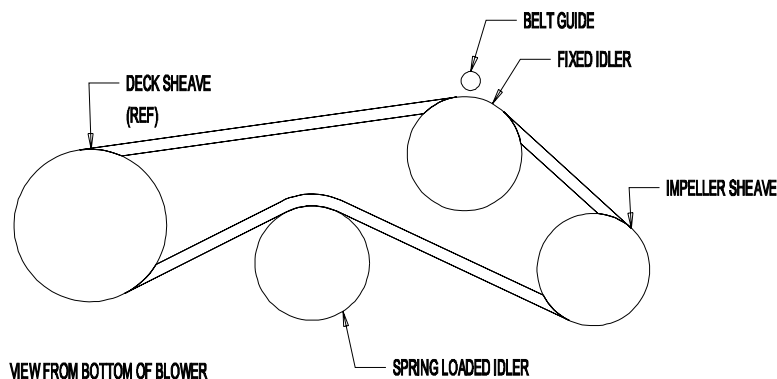


FIGURE 8
BELT ROUTING

- 3.6.3. Reinstall the belt guide removed in step 3.6.1.
- 3.6.4. Remove Discharge chute by pulling the hairpin and chute pivot pin (from the Drive Kit installed in section 3.2).
- 3.6.5. Remove the Belt Cover on the right side of the deck. Install the Blower by inserting the mounting pin into the tube welded to the rear corner of the deck. Pivot the blower until the front pin engages the slot in the deck. Adjust the position of the front pin if necessary to engage the slot. Use the latch to lock the blower in this position. Adjust tension on latch to draw blower up to deck, yet allow release by hand.
- 3.6.6. Pull the idler release handle and install the belt in the upper groove of the deck sheave.
- 3.6.7. Install the Belt Cover using the two knobs. Install the discharge tube assembly by slipping the upper end into the hood, then sliding the lower end over the blower discharge opening. Use the latches to retain the lower end to the blower.
- 3.6.8. Follow the operation instructions in Section 4 to run the unit. Run the unit with the blades and blower engaged for 2 minutes. Disengage the blades, shut off the motor, and remove the key.
- 3.6.9. Remove the belt cover and check to make sure that the belt is riding near the center of the flat idler on the idler arm. If the belt is not riding near the center of the idler, remove the blower, and bend the idler arm slightly. Reinstall the blower and belt cover and perform steps 3.6.8 and 3.6.9 again to verify belt position.

3.7 ADJUSTMENTS:

Your Ultra Vac QDS was adjusted at the factory to operate properly. However, there are three basic adjustments that can be made, should your unit require them:

- 3.7.1 **Arm Position:** The left and right bellcrank arms control the timing of the left and right door opening mechanisms. The ends of these arms must be positioned equally from the upper frame tube for proper actuation. Check this distance with the door closed. If adjustment is necessary, loosen the allen head clamping screw on the hub of the right hand arm. Position the arms so that their ends are the same distance from the upper frame tube. Tighten the clamping bolt to hold them in this position. See Figure 9.

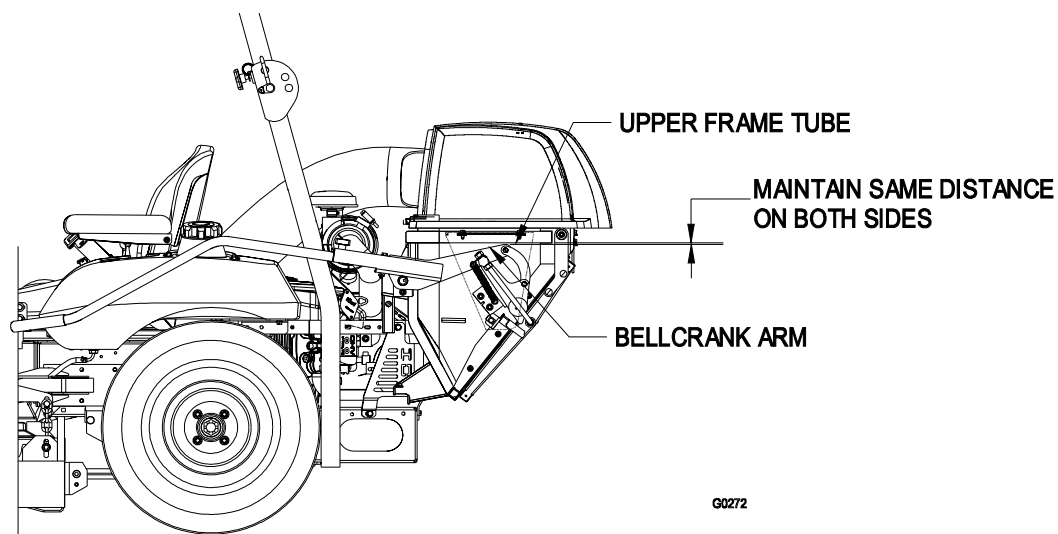


FIGURE 9

- 3.7.2 **Door closing:** The closing of the door is controlled by the two hinge links (Figure 10 – A). The length of the hinge links can be changed to provide complete closing of the door and reasonable force on the handle to latch or unlatch the door. Lengthen the links to reduce the force. Shorten the links to increase the force. The left and right sides must be approximately equal. With the door closed, both links should be slightly tight to minimize rattling.
- 3.7.3 **Door opening:** After adjusting the hinge links for door closing, the hinge stops (Figure 10 – B) can be adjusted to obtain maximum door opening. The stop plates should be adjusted so that the door link contacts them when the upper tube of the door frame is within $.25'' (6.4 \text{ mm}) \pm .125'' (3.2 \text{ mm})$ from the lower lip of the molded hood. Both left and right stops must make contact when the door link arm is at this position.

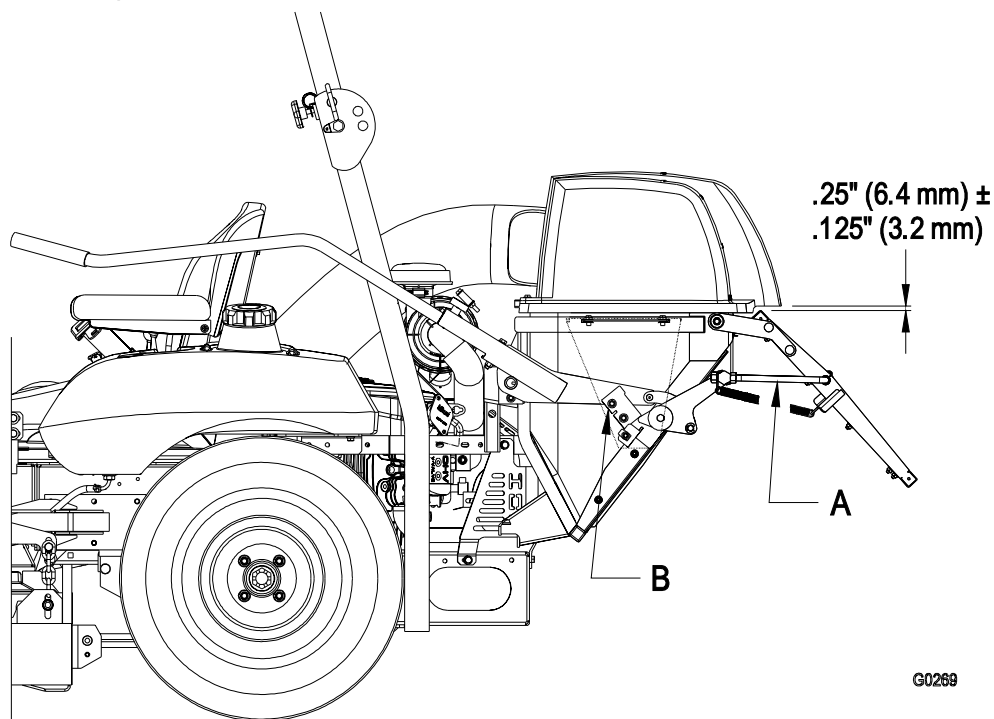


FIGURE 10

4. OPERATION

4.1 PRE-START

- 4.1.1 Read the operator's manual for your mower and familiarize yourself with all controls before operating the machine. Make sure that you understand the controls, their locations, their functions, and their safety requirements.
- 4.1.2 Ensure the blower, belt cover, door mesh, tube and hopper are in good condition, properly attached, and latched.


NOTE: When mowing in areas with sandy soil, use low lift blades on the cutting deck and higher cutting heights to minimize wear on the blower components.

4.2 MOWING

- 4.2.1 The Ultra Vac QDS blower operates when deck drive is engaged. Be sure that **all** persons are **clear** of the mower deck **before engaging** the cutting blades. Set the throttle to "midway" position. Pull outward on the PTO switch to the "ROTATE" position. Accelerate to full throttle to begin mowing.
- 4.2.2 To disengage the PTO and blower, set the throttle to "midway" position. Push in on the PTO switch to the "STOP" position to stop the cutting blades and blower. The cutting blades will require a slightly longer amount of time to come to a complete stop when the blower is installed on the deck. Verify that all rotation indicators have stopped before clearing blower assembly or mower deck.
- 4.2.3 To empty the hopper, first shut off deck drive, Lift up on the handle to open the door and empty the hopper. **If the unit is to be driven onto a truck or trailer with the hopper full, always back the unit up the ramp. This will reduce the chance of rearward tip up. See section 4.4 Transporting for additional information regarding loading a unit on a truck or trailer.**
- 4.2.4 Close and latch the door before continuing mowing. **Do not engage the cutting blades while the door is in the open position.**

4.3 BAGGER REMOVAL FOR SIDE DISCHARGE:

- 4.3.1 Disengage the PTO, stop engine and wait for all moving parts to stop. Remove spark plug wire(s) or remove key.
- 4.3.2 Remove the discharge tube by releasing the latch at the blower. Slide the tube off the blower outlet and remove the upper end from the hopper.
- 4.3.3 Remove the Belt cover by loosening the knobs.

 CAUTION	
POTENTIAL HAZARD	◆ The deck sheave will become very hot
WHAT CAN HAPPEN	◆ Touching a hot deck sheave can cause severe burns.
HOW TO AVOID THE HAZARD	◆ Allow the deck sheave to cool completely before removing the belt.

- 4.3.4. Pull the idler release handle and remove the belt from the upper groove of the deck sheave.
- 4.3.5. Unlatch the front end of the blower. Pivot the blower back and lift it off the deck.
- 4.3.6. Install the discharge chute using the chute pivot pin and hairpin (See Figure 11).

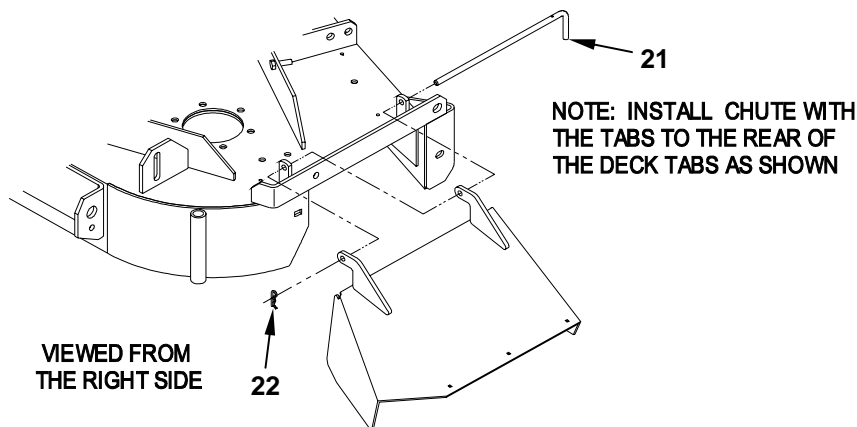


FIGURE 11

DISCHARGE CHUTE INSTALLATION


- 4.3.7. Re-install the plastic belt cover and tighten the knobs.
- 4.3.8. Remove the hair pins and clevis pins holding the hopper assembly to the mount weldment.
- 4.3.9. Lift the bag hopper assembly off the mount.
- 4.3.10. Remove the hairpins and lift the front weight(s) off of the mount plates.


Note: The portions of the Ultra Vac QDS bagger that are not bolted to the mower are designed to be installed or removed in their entirety. Do not operate the mower with only a portion of the Ultra Vac QDS installed.

- 4.3.11. The machine can now be used for side discharge mowing.

4.4 TRANSPORTING

- 4.4.1 Transporting a Unit: Use a heavy-duty trailer or truck to transport the machine. Lock brake and block wheels. Securely fasten the machine to the trailer or truck with straps, chains, cable, or ropes. Be sure that the trailer or truck has all necessary lighting and marking as required by law. Secure a trailer with a safety chain.

 CAUTION	
POTENTIAL HAZARD	◆ This unit does not have proper turn signals, lights, reflective markings, or a slow moving vehicle emblem. These items are required to drive on a public street or roadway.
WHAT CAN HAPPEN	◆ Driving on a street or roadway without such equipment is dangerous and can lead to accidents causing personal injury. ◆ Driving on a street or roadway without such equipment may also be a violation of State laws and the operator may be subject to traffic tickets and/or fines.
HOW TO AVOID THE HAZARD	◆ Do not drive a unit on a public street or roadway.

 WARNING	
POTENTIAL HAZARD	<ul style="list-style-type: none">◆ Loading a unit on a trailer or truck increases the possibility of backward tip-over.
WHAT CAN HAPPEN	<ul style="list-style-type: none">◆ Backward tip-over of the unit could cause serious injury or death.
HOW TO AVOID THE HAZARD	<ul style="list-style-type: none">◆ Use extreme caution when operating a unit on a ramp.◆ Use only a single, full width ramp; DO NOT use individual ramps for each side of the unit.◆ If individual ramps must be used, use enough ramps to create an unbroken ramp surface wider than the unit.◆ DO NOT exceed a 15° angle between ramp and ground or between ramp and trailer or truck.◆ Avoid sudden acceleration while driving unit up a ramp to avoid tipping backward.◆ Avoid sudden deceleration while backing unit down a ramp to avoid tipping backward.


Loading a Unit: If the unit is to be driven onto a truck or trailer with the hopper full, always back the unit up the ramp. This will reduce the chance of rearward tip up. Use extreme caution when loading units on trailers or trucks. One full width ramp that is wide enough to extend beyond the rear tires is required instead of individual ramps for each side of the unit. The lower rear section of the tractor frame extends back between the rear wheels and serves as a stop for tipping backward. Having a full width ramp provides a surface for the frame members to contact if the unit starts to tip backward. If it is not possible to use one full width ramp, use enough individual ramps to simulate a full width continuous ramp.


Ramp should be long enough so that the angles between the ramp and the ground and the ramp and the trailer or truck do not exceed 15°. A steeper angle may cause mower deck components to get caught as the unit moves from ramp to trailer or truck. Steeper angles may also cause the unit to tip backward. If loading on or near a slope, position the trailer or truck so it is on the down side of the slope and the ramp extends up the slope. This will minimize the ramp angle. The trailer or truck should be as level as possible.

DO NOT attempt to turn the unit while on the ramp, you may lose control and drive off the side.

Avoid sudden acceleration when driving up a ramp and sudden deceleration when backing down a ramp. Both maneuvers can cause the unit to tip backward. Dump contents of hopper before transport. **Do not transport the unit with the hopper full.**

5. MAINTENANCE:

 WARNING
POTENTIAL HAZARD ♦ While maintenance or adjustments are being made, someone could start the engine.
WHAT CAN HAPPEN ♦ Accidental starting of the engine could seriously injure you or other bystanders.
HOW TO AVOID THE HAZARD ♦ Remove the key from the ignition switch and pull the wire(s) off the spark plug(s) before you do any maintenance. Also push the wire(s) aside so it does not accidentally contact the spark plug(s).

 WARNING
POTENTIAL HAZARD ♦ The engine can become very hot.
WHAT CAN HAPPEN ♦ Touching a hot engine can cause severe burns.
HOW TO AVOID THE HAZARD ♦ Allow the engine to cool completely before service or making repairs around the engine area.

5.1 PERIODIC MAINTENANCE

IMPORTANT: Before conducting any maintenance, disengage PTO, stop engine and wait for all moving parts to stop. Remove spark plug wire(s) or remove key.

5.1.1 Blower Housing/Impeller: **Service Interval: Daily.**

Inspect for wear or damage daily. Replace or repair worn parts as needed.


Note: When mowing in areas with sandy soil, use low lift blades on the cutting deck and higher cutting heights to minimize wear on the blower components.

5.1.2 Idler Bushings: **Service Interval: 25 Hours.**

Lubricate with 1-2 pumps of SAE No. 2 multi-purpose grease.

5.1.3 Door cloth mesh: **Service Interval: Daily.**

Inspect the cloth mesh for wear, tears or damage.

 WARNING
POTENTIAL HAZARD ♦ Under normal use the cloth mesh will deteriorate and wear. Objects could exit through worn cloth mesh at high speeds.
WHAT CAN HAPPEN ♦ Thrown objects can cause serious injury or kill you or bystanders.
HOW TO AVOID THE HAZARD ♦ Check the cloth mesh frequently for tears and holes. Replace worn cloth mesh.


5.1.4 Belts: **Service Interval: 50 Hours.**

a) Inspect the belt position on the idler arm.

The idler arm may become bent during use or transport. A bent idler arm could cause the belt to jump off of the idler and be damaged.

- 1) Make sure the belt cover is installed and run the blower for one to two minutes.
 - 2) **Shut off the deck drive, stop engine and wait for all moving parts to stop. Remove key.** Remove the belt cover and check to make sure that the belt is riding near the center of the flat idler on the idler arm.
 - 3) If the belt is not riding near the center of the idler, remove the blower, and bend the idler arm slightly.
 - 4) Reinstall the blower and belt cover and repeat steps 1-3 until the belt is positioned near the center of the idler.
- b) Inspect the belt for damage or wear. Replace belt with one of the following.
- 44" deck – PN 1-653332
 - 48" deck – PN 1-653333
 - 52" deck – PN 1-653438

5.1.5 Clean muffler and rear frame area: **Service Interval: Daily**

 WARNING
POTENTIAL HAZARD <ul style="list-style-type: none"> ◆ Operating engine parts, especially the muffler, become extremely hot.
WHAT CAN HAPPEN <ul style="list-style-type: none"> ◆ Severe burns can occur on contact. ◆ Debris, such as leaves, grass, brush, etc. can catch fire.
HOW TO AVOID THE HAZARD <ul style="list-style-type: none"> ◆ Allow engine parts, especially the muffler, to cool before touching. ◆ Remove accumulated debris from muffler and engine area. ◆ Install and maintain in working order a spark arrester before using equipment on forest-covered, grass-covered, brush-covered unimproved land.

5.2 ADJUSTMENTS

Your Ultra Vac QDS was adjusted at the factory to operate properly. However, there are three basic adjustments that can be made, should your unit require them:

- 5.2.1 **Arm Position:** The left and right bellcrank arms control the timing of the left and right door opening mechanisms. The ends of these arms must be positioned equally from the upper frame tube for proper actuation. Check this distance with the door closed. If adjustment is necessary, loosen the allen head clamping screw on the hub of the right hand arm. Position the arms so that their ends are the same distance from the upper frame tube. Tighten the clamping bolt to hold them in this position. See Figure 9.
- 5.2.2 **Door closing:** The closing of the door is controlled by the two hinge links (Figure 10 – A). The length of the hinge links can be changed to provide complete closing of the door and reasonable force on the handle to latch or unlatch the door. Lengthen the links to reduce the force. Shorten the links to increase the force. The left and right sides must be approximately equal. With the door closed, both links should be slightly tight to minimize rattling.
- 5.2.3 **Door opening:** After adjusting the hinge links for door closing, the hinge stops (Figure 10 – B) can be adjusted to obtain maximum door opening. The stop plates should be adjusted so that the door link contacts them when the upper tube of the door frame is within .25" (6.4 mm) ± .125" (3.2 mm) from the lower lip of the molded hood. Both left and right stops must make contact when the door link arm is at this position.

6. Tips and Troubleshooting

Your Exmark Ultra Vac QDS has been designed to be the most productive bagging system on the market. The following tips have been collected to help you get the most out of your Ultra Vac QDS right from the start.

- 6.1 When mowing in areas with sandy soil, use low lift blades on the cutting deck and higher cutting heights to minimize wear on the blower components.
- 6.2 When mowing in wet conditions, such as just after a rain or in heavy dew, use low lift blades on the cutting deck to minimize plugging of the blower.
- 6.3 When the bags get full, the sound of the blower will change and there will be slight blowout from the front right corner of the deck. Emptying the bags at this point will minimize the potential for the tube to plug.
- 6.4 If there is excessive blowout from the deck, check to make sure that the rear screen in the hood is clear of grass build up. It is recommended that the screen and mesh portions of the bags be cleaned regularly to maintain proper air flow. This is especially important in wet conditions.
- 6.5 During dry conditions check engine air cleaners and clean cooling fins more frequently. The Ultra Vac QDS has been designed to minimize the impact of dust and debris on the mower, but bagging can be a dirty environment.
- 6.6 During dry conditions, switching to a lower lift blade may reduce blowout without hurting quality of cut.
- 6.7 Maintaining a ground speed that does not pull down the engine RPM will allow for the highest productivity and best quality of cut. Bogging the engine RPM down by going too fast will cause plugging and quality of cut issues.
- 6.8 When storing the Ultra Vac QDS, it is recommended that any build up in the blower be cleaned out. Dry grass build up may cause problems with the impeller when the unit is put back into operation.
- 6.9 If the blower drive belt snaps or breaks frequently, check the alignment of the idler arm per section 5. An arm that is bent out of position can cause the belt to jump off of the idler and be cut by the sheaves.
- 6.10 If the idler pulley contacts the deck sheave, check the alignment of the idler arm per section 5. Also check the mounting tube on the deck and the mounting pin on the blower for bending or excessive wear. This condition is more likely to occur with smaller deck sizes.
- 6.11 The condition of the belt drive is critical to proper operation. A sticking idler arm or worn belt may cause plugging or blowout. Replace the belt when the idler arm is riding on or near the stop.
- 6.12 Anti-blowout kits are available for leaf collection. They help to prevent “chasing” the leaves. To reduce “plowing” leaves, raise the deck slightly.

7.

**2-Year Limited Warranty
Exmark Turf Equipment**

(For units purchased on or after October 1, 2004)

Conditions and Products Covered

Exmark Mfg. Co. Inc. and its affiliate, Exmark Warranty Company, pursuant to an agreement between them, jointly warrant on the terms and conditions herein, that we will repair, replace or adjust any part manufactured by Exmark and found by us (in the exercise of our reasonable discretion) to be defective in factory materials or workmanship for a period of two years.

This warranty applies to Exmark turf equipment purchased on or after October 1, 2004 sold in the US or Canada. This warranty may only be assigned or transferred to a second (or third) owner by an authorized Exmark dealer. The warranty period commences upon the date of the original retail purchase.

<u>Products</u>	<u>Warranty Period</u>
• All Products (except as noted below)	2 years
• All Attachments and Accessories	1 year
• Metro 21 Series	1 year
• Belts and Tires	90 days
• Battery	1 Year Prorated
• Engine*	Warranty is covered by engine manufacturer

*Please refer to the engine manufacturer's warranty statement that is included in the literature packet. We are not authorized to handle warranty adjustments on engines.

This warranty only includes the cost of parts and labor.

Items and Conditions Not Covered

This warranty does not cover the following:

- Pickup and delivery charges to and from any authorized Exmark Service Dealer.
- Any damage or deterioration due to normal use, wear and tear, or exposure.
- Cost of regular maintenance service or parts, such as filters, fuel, lubricants, tune-up parts, and adjustments.
- Any product or part which has been altered or misused or required replacement or repair due to normal wear, accidents, or lack of proper maintenance.
- Any repairs necessary due to use of parts, accessories or supplies, including gasoline, oil or lubricants, incompatible with the turf equipment or other than as recommended in the operator's manual or other operational instructions provided by Exmark.

All warranty work must be performed by an authorized Exmark Service Dealer using Exmark approved replacement parts.

Instructions for Obtaining Warranty Service

1. Contact any Exmark Service Dealer to arrange service at their dealership. To locate a dealer convenient to you, access our website at www.exmark.com. U.S. Customers may also call 402-223-6375.
2. Bring the product and your proof of purchase (sales receipt) to the Exmark Service Dealer.

If for any reason you are dissatisfied with the Service Dealer's analysis or with the assistance provided, contact us at:

Exmark Customer Service Department
The Exmark Warranty Company
2101 Ashland Avenue
Beatrice, NE 68310
402-223-6375 or
service@exmark.com

Owner's Responsibilities

The Exmark turf equipment, including any defective part, must be returned to an authorized Exmark service dealer within the warranty period. This warranty extends only to turf equipment operated under normal conditions. You must properly service and maintain your Exmark product as described in the operator's manual. Such routine maintenance, whether performed by a dealer or by you, is at your expense.

As a condition to this warranty, customer shall have read the operator's manual and shall have completed and submitted to Exmark Warranty Company, within the prescribed time, the Exmark warranty registration.

General Conditions

The sole liability of Exmark and Exmark Warranty Company with respect to this warranty shall be repair and replacement as set forth herein. **Neither Exmark nor Exmark Warranty Company shall have any liability for any other cost, loss or damage, including but not limited to, any incidental or consequential loss or damage.**

In particular, we shall have no liability or responsibility for:

- Expenses related to gasoline, oil or lubricants.
- Travel time, overtime, after hours time or other extraordinary repair charges or charge relating to repairs or replacements outside of normal business hours at the place of business of the authorized Exmark service dealer.
- Rental of like or similar replacement equipment during the period of any warranty, repair or replacement work.
- Any telephone or telegram charges or travel charges.
- Loss or damage to person or property other than that covered by the terms of this warranty.
- Any claims for lost revenue, lost profit or additional cost as a result of a claim of breach of warranty.
- Attorney's fees.

No Claim of breach of warranty shall be cause for cancellation or rescission of the contract of sale of any Exmark mower.

There are no understandings, agreements, representations, or warranties, express or implied, including but not limited to any regarding the merchantability (that product is fit for ordinary use) or fitness for use (that product is fit for a particular purpose), not specified herein, respecting the equipment which is the subject of this warranty.

Some states do not allow exclusions of incidental or consequential damages, or limitations on how long an implied warranty lasts, so the above exclusions and limitations may not apply to you.

This warranty gives you specific legal rights, and you may also have other rights which vary from state to state.

**SEE EXMARK'S COMPLETE
LINE OF ACCESSORIES**

RIDING ACCESSORIES

CUSTOM RIDE SEAT SUSPENSION SYSTEM
DECK LIFT ASSIST KIT
HITCH KIT
LIGHT KIT
MICRO-MULCH SYSTEM
ROLL OVER PROTECTION SYSTEM (ROPS)
SNOW BLADE
SUN SHADE
TRASH CONTAINER
TURF STRIPER
ULTRA VAC COLLECTION SYSTEM
ULTRA VAC QUICK DISPOSAL SYSTEM

WALK BEHIND ACCESSORIES

GRASS CATCHER
MICRO-MULCH SYSTEM
STEERABLE SULKY
SULKY HITCH KIT
TURF STRIPER

Check us out on the Web:

www.exmark.com

©2000-2004 EXMARK MFG. CO. INC.
INDUSTRIAL PARK BOX 808
BEATRICE, NE 68310

PART NO. 103-8855
(402) 223-6300
FAX (402) 223-5489

ALL RIGHTS RESERVED

PRINTED IN U.S.A.

