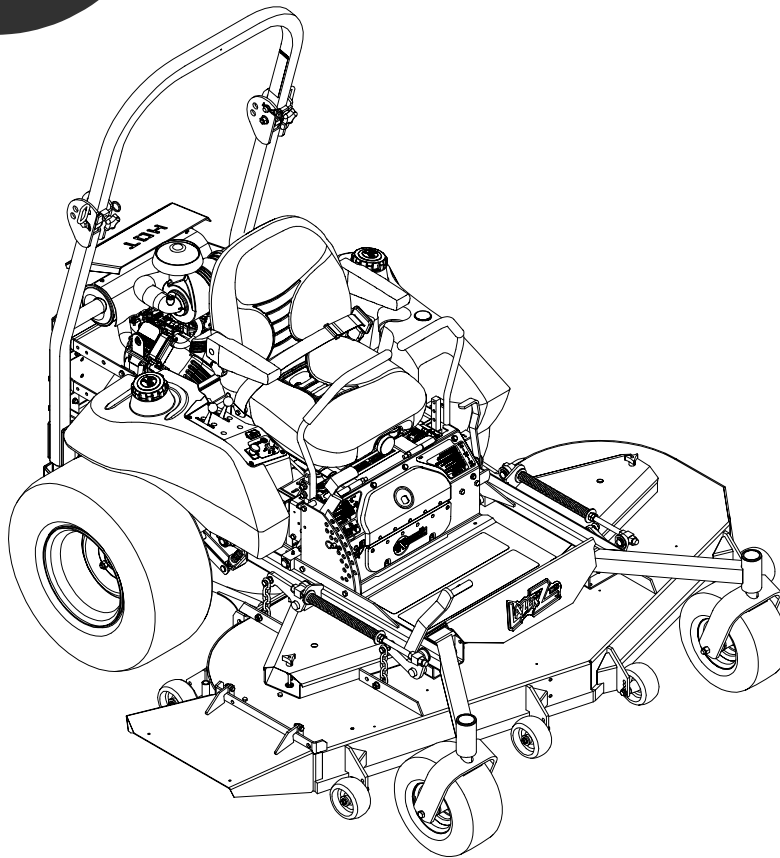


For Serial Nos.
510,000 & Higher



PARTS MANUAL

LAZER Z[®] XS

CONGRATULATIONS on the purchase of your new Exmark mower. This product has been carefully designed and manufactured to give you a maximum amount of dependability and years of trouble-free operation. If additional information is needed, or should you require trained mechanic service, contact your authorized Exmark equipment dealer or distributor. If you need to order replacement parts from your dealer, always give the model number and serial number of your mower as well as the part number, description and quantity of the part needed.

The Serial No. plate is located on the right side of the console. For ease of ordering and reference, we suggest that you record the information requested in the following identification table.

Place Model No. and Serial No. Label Here (Included in Literature Pack) or Fill in Below
Model No. _____
Serial No. _____

Engine Model No. and Spec. No. (Code) _____

Engine Serial No. (E/No) _____

Date Purchased _____

EXMARK PARTS PLUS® PROGRAM

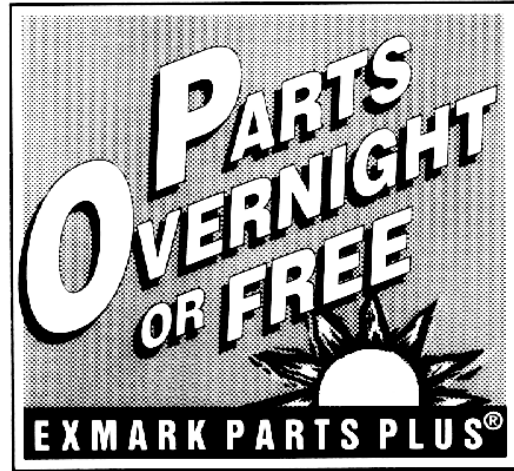
EFFECTIVE DATE: September 1, 1995

Program

If your Exmark dealer does not have the Exmark part in stock, Exmark will get the parts to the dealer the next business day or the part will be FREE* Guaranteed!!

How the Program Works

1. If dealer does not have part in stock for a "down" unit at the time of request by customer, the dealer contacts his distributor by 1:00 p.m., local time, and requests Exmark Parts Plus® shipment of six (6) line items or less.
2. Distributor ships part(s) to dealer or customer, as requested by dealer, same day, overnight UPS. Distributor bills dealer for part and freight charges where applicable.
3. If distributor does not have the part(s) in stock to satisfy Exmark Parts Plus® order, he contacts Exmark by 3:00p.m., central time, with an Exmark Parts Plus® order of six (6) line items or less.
4. If order is received by 3:00 p.m. central time, Exmark ships part(s) direct to dealer or customer, as requested by distributor, same day, overnight UPS, Exmark bills the distributor for parts and shipping charges, where applicable.
5. The customer pays for the part and freight if it is shipped under the Exmark Parts Plus® and if it arrives in accordance to the program.
6. Who pays for the part and freight if it fails to arrive overnight in accordance to the program?
 - A. Under any circumstance the customer does not pay.
 - B. If the part does not arrive overnight due to:
 1. The dealer not submitting the Exmark Parts Plus® order to his Exmark distributor by 1:00 p.m., the dealer pays for the part and freight.
 2. The Distributor being unable to ship the part the same day or not submitting the Exmark Parts Plus® order to Exmark by 3:00 p.m., central time, the Distributor pays for the part and freight.
 3. Exmark being unable to ship the part and the Exmark parts order is received by 3:00 p.m., central time, Exmark pays for the part and freight.
 4. If the part does not arrive overnight due to the shipper (UPS), the shipper pays for the freight and Exmark pays for the part.



The following restrictions apply -- The Exmark Parts Plus® Program is available only through participating Exmark Dealers and applies only to orders submitted on this program Monday through Thursday. Parts Plus service is available only in the 48 contiguous United States. UPS has initiated a Saturday delivery program to many areas of the continental United States and can be requested for an overnight shipment on Friday to be delivered Saturday. The next day air charge, plus the Saturday delivery fee will be the responsibility of the purchaser. Exmark Mfg. will assume no responsibility for Saturday delivery shipments. To qualify, all Exmark Parts Plus® orders must be received by Exmark by 3:00 p.m., central time. Orders must be six (6) line items or less. Exclusions from the Exmark Parts Plus® Program are: Any wholegood or accessory in its entirety, engines and engine replacement parts, 5-speed Peerless transmissions and 5-speed transaxles, hydraulic or hydrostatic wheel motors, cutter decks and engine decks or any item exceeding United Parcel Service size and weight restrictions.

Due to UPS restrictions, aerosol spray paint is considered a hazardous material and cannot be shipped via UPS next day or Second Day Air.

Exmark Manufacturing stocks a limited supply of parts for transaxles, pumps and wheel motors. These parts can be ordered for Next Day Air shipment but will not be guaranteed per the Parts Plus Program

**READ OPERATOR'S MANUAL BEFORE
OPERATING OR SERVICING EXMARK EQUIPMENT.**

TABLE OF CONTENTS

<u>Description</u>	<u>Page</u>
60" Deck Group	3-4
72" Deck Group	5-6
Decal Group	19-20
Electrical Diagram	22
Electrical Group	21
Electrical Logic Schematic.....	23
Engine Deck Group	15
Front Frame Group	7-8
Fuel Group.....	11-12
Hydraulic Group.....	17-18
Main Frame Group.....	9-10
Motion Control Group	14
Park Brake Group.....	13
Upper Frame Group.....	16

60" DECK GROUP

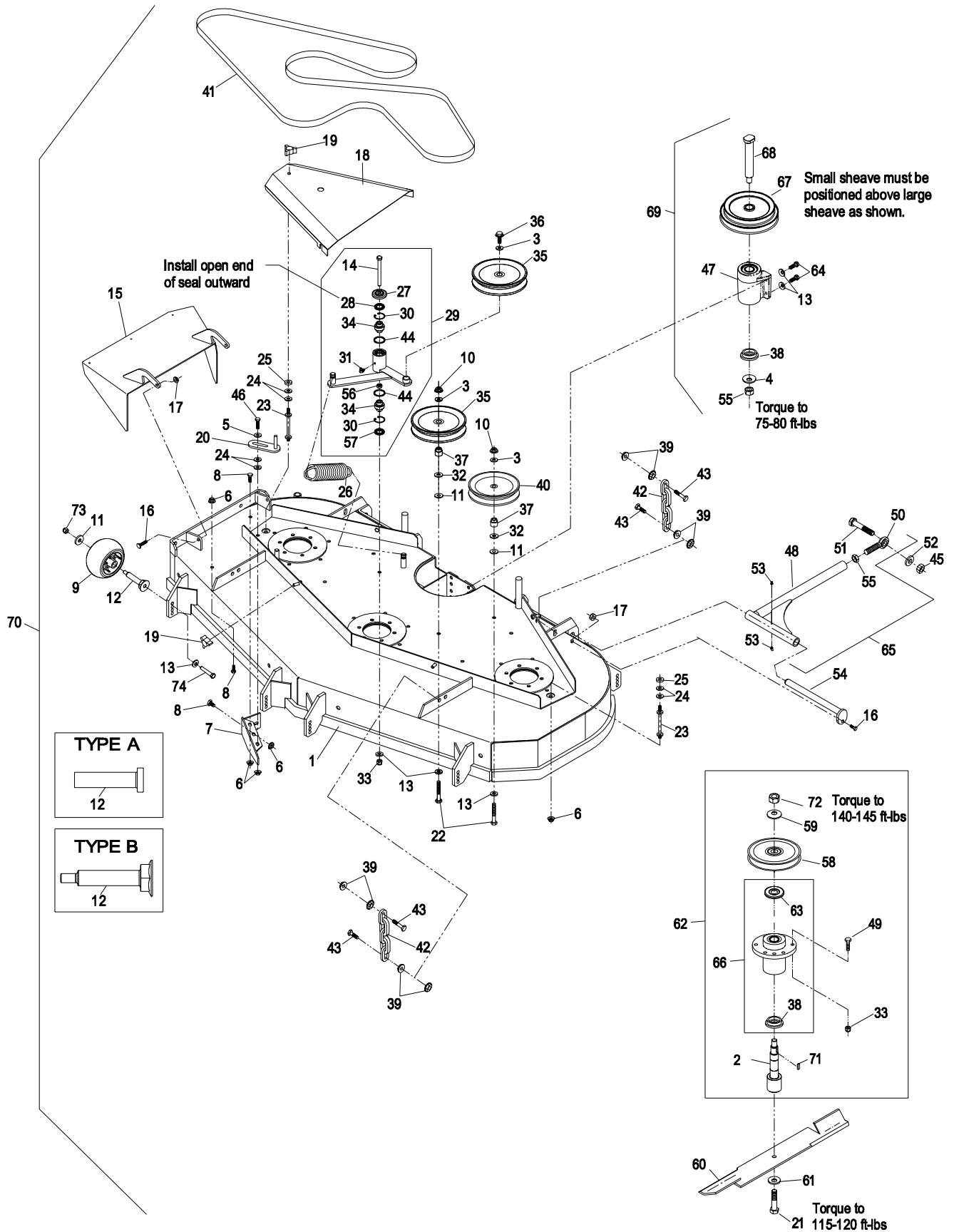
Item	Part No.	Description	Qty
1	103-1589	Asm, Deck (103-1423-01) W/Decals.....	1
2+	103-2785	Spindle.....	3
3	3256-24	Washer, 3/8 SAE	3
4	1-513208	Washer, Spring Disk 5/8	1
5	1-303334	Washer, Spring Disk 5/16	1
6	32128-20	Nut, Whizlock 5/16-18.....	6
7	1-602913-01	Wld, Discharge Baffle	1
8	322-2	Screw, HH 5/16-18 x 5/8	3
9★	1-603299	Roller, Antiscalp.....	6
10	3290-357	Nut, Whizlock 3/8-16.....	2
11	1-373034	Washer	8
12■	1-603602	Axle, Anti-Scalp Roller (Type A).....	6
■	103-5364	Axle, Anti-Scalp Roller (Type B).....	6
13	98-5975	Washer, Spring Disk 3/8	13
14	98-5961	Screw, HH 3/8-16 x 4 Gr8	1
15	103-5840-01	Chute, Discharge 60"	1
16	322-5	Screw, HH 5/16-18 x 1	4
17	3296-29	Nut, Nyloc 5/16-18	4
18	1-633084-01	Shield, Belt 60" (RH).....	1
	103-1470-01	Shield, Belt 60" (LH).....	1
19	1-323385	Knob, Belt Shield	6
20	1-322110	Wld, Belt Guide.....	1
21	103-0862	Screw, HH 5/8-18 x 2 3/4 Gr 8	3
22	323-11	Screw, HH 3/8-16 x 2 1/4	2
23	1-303537	Stud, Belt Shield	2
24	3256-3	Washer, 5/16 Std.....	6
25	1-323417	Washer, Belt Shield	2
26	103-3330	Spring, Extension.....	1
27	103-2916	Guard, Top.....	1
28	103-3506	Seal, Single Lip.....	1
29✳	103-5693	Kit, Idler Arm (103-6528-01) W/Bearings	1
30	32120-10	Ring, Retaining	2
31	302-40	Zerk, 90° 1/4-28.	1
32	3256-4	Washer, 3/8 Std.....	2
33	3296-39	Nut, Nyloc 3/8-16	19
34	103-3504	Bearing, Spherical.....	2
35	1-633109	Pulley, Idler 6.00 Dia. Flat	2
36	3234-11	Screw, HH FLG 3/8-16 x 1	1
37	1-633456	Bushing, Idler.....	2
38	103-2535	Spacer, Guard Bottom	4
39	32128-37	Nut, Whizlock 7/16-14.....	16

Item	Part No.	Description	Qty
40	1-603805	Pulley, Idler 5.06 O.D. V	1
41	1-633127	Belt, Blade Drive 60" Deck.....	1
42	1-633447	Chain	4
43	103-1898	Screw, HH 7/16-14 x 1-5/8 Sp	8
44	106-7159	O-ring	2
45	3217-11	Nut, Hex 5/8-11.....	2
46	322-6	Screw, HH 5/16-18 x 1 1/4.....	1
47+	103-2544	Asm, Jackshaft Hsg W/Brgs.....	1
48	103-1355-01	Wld, Deck Strut	2
49	323-8	Screw, HH 3/8-16 x 1 1/2.....	18
50	1-633029	Balljoint.....	2
51	327-28	Screw, HH 5/8-11 x 5 1/2.....	2
52	3253-8	Washer, Lock 5/8	2
53	302-19	Zerk, 1/4-28 Str.....	4
54	1-632199-01	Wld, Deck Strut Pin	2
55	3219-6	Nut, Hex 5/8-18.....	3
56	103-5677	Spacer	1
57	103-3505	Seal, Double, Lip	1
58+	103-2794	Sheave, Blade Drive	3
59	103-2802	Washer, Spring Disk 3/4.....	3
60	103-2530	Blade, Notched	3
	103-2510	Blade, Low Lift	3
◆	103-0301	Blade, Mulching	3
	103-1580	Blade, Solid	3
	103-6338	Blade, Extreme	3
61	103-0865	Washer, Spring Disk.....	3
62◇	103-8075	Asm, Cutter Housing Complete	3
63+	103-1330	Guard, Bearing Top	3
64	323-6	Screw, HH 3/8-16 x 1.....	4
65	103-1356	Asm, Strut	2
66+	103-8280	Asm, Cutter Housing	3
67+	103-3046	Sheave, Jackshaft Double	1
68+	1-643393	Jackshaft	1
69	103-3249	Asm, Jackshaft.....	1
70▽	103-7456	Asm, Deck Complete.....	1
71	103-2982	Key, Machine 1/4 x 3/16 x 3/4.....	3
72*	3217-46	Nut, Hex 3/4-16 Heavy.....	3
73■	3290-357	Nut, Whizlock 3/8-16 (Type A).....	6
■	3296-39	Nut, Nyloc 3/8-16 (Type B)	6
74■	98-5961	Screw, HH 3/8-16 x 4 Gr8 (Type A)	6
■	3211-46	Screw, HH 3/8-24 x 2 Gr8 (Type B)	6

Exmark red touch up spray paint - P/N 1-850337.

- ✚ Apply Mobil HTS grease (P/N 103-5217 1.5 oz packet) (or a food-grade antisieze) between the jackshaft and bearings, jackshaft and sheaves, spindles and bearings, spindles and sheaves, and under top bearing guard. DO NOT use a copper or nickel based antisieze.
- ▽ Complete deck assembly does not include items 39, 42, & 43, but does include belt (item 13, pg. 15).
- Unit may have been built with Type A or Type B anti scalp axles. Reference page 4 to determine which axles are installed on the unit.
- ★ Kit 103-3168 includes antiscalp roller, axle, & mounting hardware for Type A axles. Kit 103-7263 includes antiscalp roller, axle, & mounting hardware for Type B axles.
- ◆ Requires installation of Micro-Mulch accessory for proper mulching. Mulch kit P/N MK604.
- ◇ Complete cutter housing assembly also includes items 61 & 21.
- ✳ 103-5693 kit includes components shown and (1) nyloc nut item 33.
- * Use Pro-Lock, Nut Type (P/N 1-840022, .5ml tube) on nut Item 72.

60" DECK GROUP



72" DECK GROUP

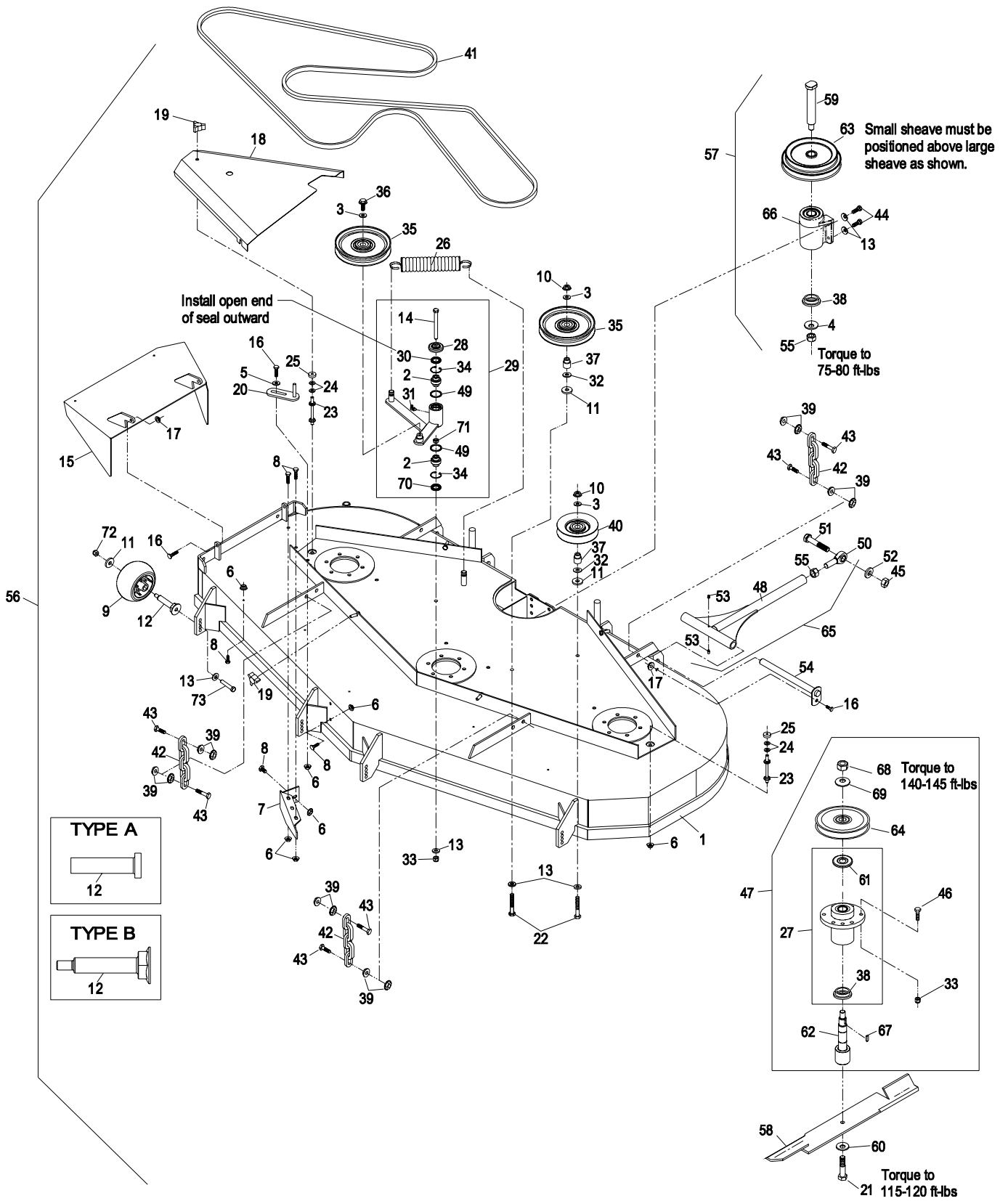
Item	Part No	Description	Qty
1	103-1591	Asm, Deck (103-3032-01) W/Decals.....	1
2	103-3504	Bearing, Spherical.....	2
3	3256-24	Washer, 3/8 SAE.....	3
4	1-513208	Washer, Spring Disk 5/8.....	1
5	1-303334	Washer, Spring Disk 5/16.....	1
6	32128-20	Nut, Whizlock 5/16-18.....	8
7	1-602913-01	Wld, Discharge Baffle.....	1
8	322-2	Screw, HH 5/16-18 x 5/8.....	6
9★	1-603299	Roller, Antiscalp.....	6
10	3290-357	Nut, Whizlock 3/8-16.....	2
11	1-373034	Washer.....	8
12■	1-603602	Axle, Anti-Scalp Roller (Type A).....	6
■	103-5364	Axle, Anti-Scalp Roller (Type B).....	6
13	98-5975	Washer, Spring Disk 3/8.....	13
14	98-5961	Screw, HH 3/8-16 x 4 Gr8.....	1
15	1-642071-01	Chute, Discharge 72".....	1
16	322-5	Screw, HH 5/16-18 x 1.....	5
17	3296-29	Nut, Nyloc 5/16-18.....	4
18	1-643076-01	Shield, Belt 72" (RH).....	1
	1-643075-01	Shield, Belt 72" (LH).....	1
19	1-323385	Knob, Belt Shield.....	6
20	1-322110	Wld, Belt Guide.....	1
21	103-0862	Screw, HH 5/8-18 x 2 3/4 Gr8.....	3
22	323-11	Screw, HH 3/8-16 x 2 1/4.....	2
23	1-303537	Stud, Belt Shield.....	2
24	3256-3	Washer, 5/16 Std.....	4
25	1-323417	Washer, Belt Shield.....	2
26	103-3330	Spring, Extension.....	1
27+	103-8280	Asm, Cutter Housing.....	3
28	103-2916	Guard, Top.....	1
29✖	103-5693	Kit, Idler Arm (103-6528-01) W/Bearings.....	1
30	103-3506	Seal, Single Lip.....	1
31	302-40	Zerk, 90° 1/4-20.....	1
32	3256-4	Washer, 3/8 Std.....	2
33	3296-39	Nut, Nyloc 3/8-16.....	19
34	32120-10	Ring, Retaining.....	2
35	1-633109	Pulley, Idler 6.00 Dia Flat.....	2
36	3234-11	Screw, HH FLG 3/8-16 x 1.....	1
37	1-633456	Bushing, Idler.....	2
38	103-2535	Spacer, Guard Bottom.....	4

Item	Part No	Description	Qty
39	32128-37	Nut, Whizlock 7/16-14.....	16
40	1-603805	Pulley, Idler 5.06 O.D. V.....	1
41	1-643052	Belt, Blade Drive 72" Deck.....	1
42	1-633447	Chain.....	4
43	103-1898	Screw, HH 7/16-14 x 1-5/8 Sp.....	8
44	323-6	Screw, HH 3/8-16 x 1.....	4
45	3217-11	Nut, Hex 5/8-11.....	2
46	323-8	Screw, HH 3/8-16 1 1/2.....	18
47◇	103-8323	Asm, Cutter Housing Complete.....	3
48	103-0100-01	Wld, Deck Strut.....	2
49	106-7159	O-ring.....	2
50	1-633029	BallJoint.....	2
51	327-28	Screw, HH 5/8-11 x 5 1/2.....	2
52	3253-8	Washer, Lock 5/8.....	2
53	302-19	Zerk, 1/4-28 Str.....	4
54	1-632199-01	Wld, Deck Strut Pin.....	2
55	3219-6	Nut, Hex 5/8-18.....	3
56▽	103-7457	Asm, Deck Complete.....	1
57	103-3249	Asm, Jackshaft.....	1
58	103-2531	Blade, Notched.....	3
	103-2511	Blade, Low Lift.....	3
◆	103-2521	Blade, Mulching.....	3
	103-1581	Blade, Solid.....	3
	103-6339	Blade, Extreme.....	3
59+	1-643393	Jackshaft.....	1
60	103-0865	Washer, Spring Disk.....	3
61+	103-1330	Guard, Bearing Top.....	3
62+	103-2785	Spindle.....	3
63+	103-3046	Sheave, Jackshaft Double.....	1
64+	103-2795	Sheave, Blade Drive.....	3
65	103-0840	Asm, Strut.....	2
66+	103-2544	Asm, Jackshaft Hsg w/ Brgs.....	1
67	103-2982	Key, Machine 1/4 x 3/16 x 3/4.....	3
68*	3217-46	Nut, Hex 3/4-16 Heavy.....	3
69	103-2802	Washer, Spring Disk 3/4.....	3
70	103-3505	Seal, Double, Lip.....	1
71	103-5677	Spacer.....	1
72■	3290-357	Nut, Whizlock 3/8-16 (Type A).....	6
■	3296-39	Nut, Nyloc 3/8-16 (Type B).....	6
73■	98-5961	Screw, HH 3/8-16 x 4 Gr8 (Type A).....	6
■	3211-46	Screw, HH 3/8-24 x 2 Gr8 (Type B).....	6

Exmark red touch up spray paint - P/N 1-850337.

- + Apply Mobil HTS grease (P/N 103-5217 1.5 oz packet) (or a food-grade antisieze) between the jackshaft and bearings, jackshaft and sheaves, spindles and bearings, spindles and sheaves, and under top bearing guard. DO NOT use a copper or nickel based antisieze.
- ▽ Complete deck assembly does not include items 39, 42, & 43, but does include belt (item 13, pg. 15).
- Unit may have been built with Type A or Type B anti scalp axles. Reference page 6 to determine which axles are installed on the unit.
- ★ Kit 103-3168 includes antiscalp roller, axle, & mounting hardware for Type A axles. Kit 103-7263 includes antiscalp roller, axle, & mounting hardware for Type B axles.
- ◆ Requires installation of Micro-Mulch accessory for proper mulching. Mulch kit P/N MK724.
- ◇ Complete cutter housing assembly also includes items 21 & 60.
- ✖ 103-5693 kit includes components shown and (1) nyloc nut item 33.
- * Use Pro-Lock, Nut Type (P/N 1-840022, .5ml tube) on nut Item 68.

72" DECK GROUP



FRONT FRAME GROUP

Item	Part No.	Description	Qty.
1▲	103-5839	Asm, Front Frame 60".....	1
▲	103-5475	Asm, Front Frame 72".....	1
2	302-19	Zerk, 1/4-28 Str.....	5
3	103-3527	Asm, Floorpan (103-3242-01) w/Decals And Pads.....	1
4	1-633553	Pad, Anti Skid.....	2
5	103-2084	Asm, Lever (103-2083-03)W/Grip.....	1
6	1-633295	Grip, Lift Lever.....	1
7	103-2064-03	Wld, Deck Lift Arm.....	1
8	1-633325	Spring, Compression.....	1
9	3256-24	Washer, 3/8 SAE.....	1
10	3296-39	Nut, Nyloc 3/8-16.....	5
11	32151-103	E-Ring.....	5
12	1-633068	Arm, Deck Lift.....	2
13	1-633889-01	Plate, Deck Lift.....	1
14	1-632899-01	Wld, Deck Lift Plate.....	1
15	1-633082	Bushing, Lift Lever.....	1
16	1-633080	Bushing, Lift Lever.....	1
17	323-13	Screw, HH 3/8-16 x 2 3/4.....	1
18	1-633097	Pin, Hitch W/Lanyard and Hairpin.....	1
19	1-806005	Hairpin Cotter.....	1
20	323-9	Screw, HH 3/8-16 x 1 3/4.....	2
21	98-5975	Washer, Spring Disk 3/8.....	12
22	3290-357	Nut, Whizlock 3/8-16.....	15
23	103-2768	Guard, Seal.....	4
24	323-7	Screw, HH 3/8-16 x 1 1/4.....	12
25	3256-29	Washer, 7/8 SAE.....	4
26	1-633096	Rod, Deck Lift.....	2
27	3217-11	Nut, Hex 5/8-11.....	6
28	1-633441	Swivel, Deck Mount.....	4
29	3256-7	Washer, 5/8 Std.....	4
30	1-643015	Spring, Deck Support.....	2

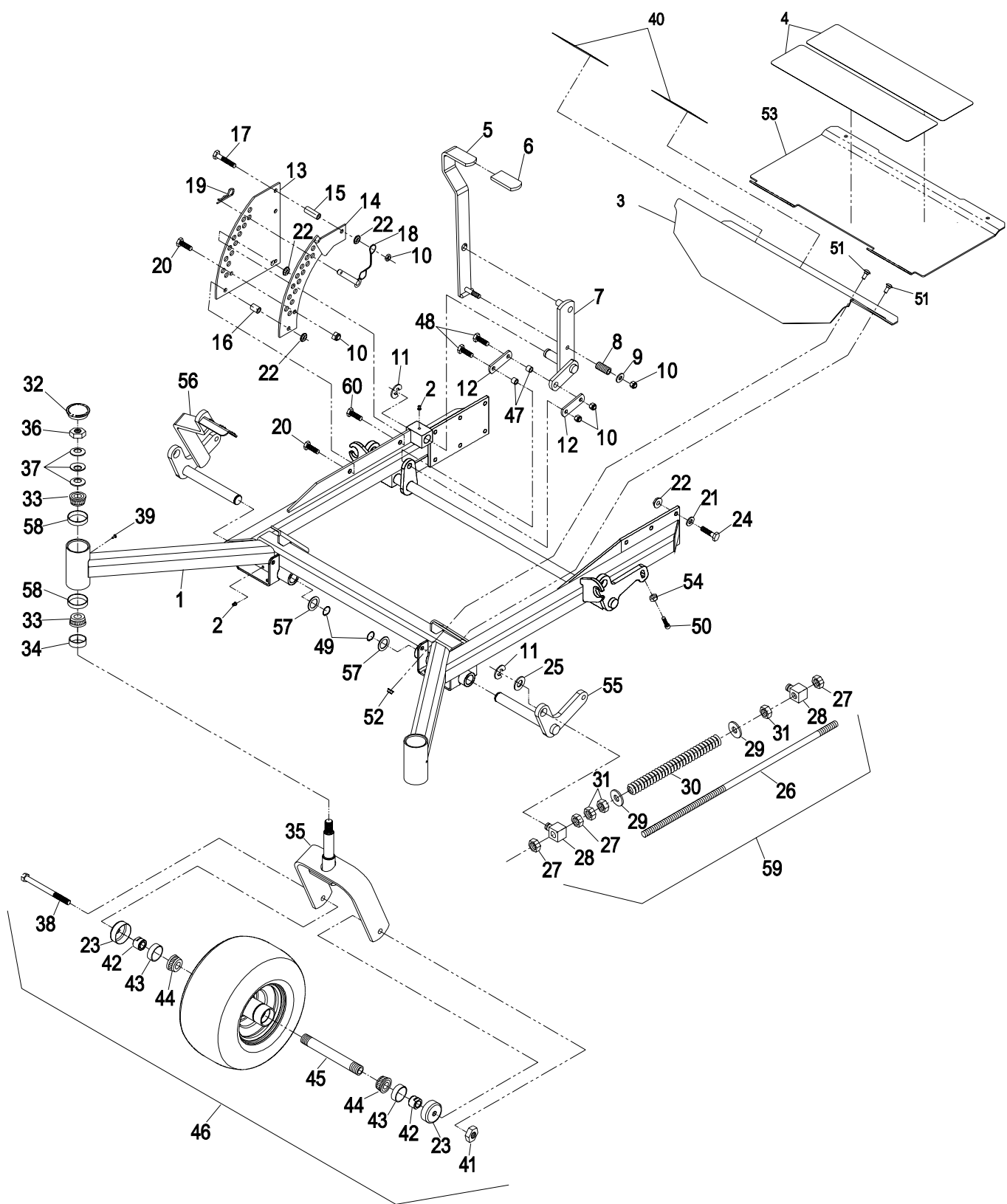
Item	Part No.	Description	Qty.
31	3218-6	Nut, Jam 5/8-11.....	6
32	103-4882	Cap, Grease.....	2
33	1-543509	Bearing Cone, Tapered Roller.....	4
34	1-543511	Seal, Grease.....	2
35	103-1474-01	Wld, Caster.....	2
36	3296-51	Nut, Nyloc 3/4-10.....	2
37	1-633508	Washer, Spring Disk.....	6
38	325-39	Screw, HH 1/2-13 x 9 1/2.....	2
39	1-811010	Plug.....	2
40	106-6572	Pad, Antiskid.....	2
41	3296-23	Nut, Nyloc 1/2-13.....	2
42+	103-3051	Spacer, Nut.....	4
43	103-0063	Seal, Bearing.....	4
44	1-633585	Bearing Cone, Tapered Roller.....	4
45	103-5156	Axle, Caster.....	2
46	103-3799	Asm, Caster Wheel (Semi-Pneumatic).....	2
47	103-1918	Bushing.....	2
48	323-29	Screw, HH 3/8-16 x 1 3/8.....	2
49	32151-29	Ring, Retaining.....	2
50	3274-18	Screw, SH 5/16-18 x 1 1/4.....	2
51	3230-1	Bolt, Carriage 5/16-18 x 3/4.....	4
52	32128-20	Nut, Whizlock 5/16-18.....	4
53	103-3528	Asm, Floorpan (103-3241-01) w/pads & decals.....	1
54	3218-2	Nut, Jam 5/16-18.....	2
55	103-1955-01	Wld, Front Lift Shaft (LH).....	1
56	103-2013-01	Wld, Front Lift W/Lever(RH).....	1
57	1-523157	Washer, Spacer.....	2
58	1-543508	Bearing Cup, Tapered Roller.....	4
59	103-2047	Asm, Deck Lift Spring.....	2
60	323-6	Screw, HH 3/8-16 x 1.....	1

Exmark red touch up spray paint - P/N 1-850337.

✚ Use Pro-Lock, Nut Type (P/N 1-840022, .5ml tube) on spacer nut.

▲ Includes frame weldment plus items #32, #34, #39, #49, #55, #56, #57, and #58.

FRONT FRAME GROUP



MAIN FRAME GROUP

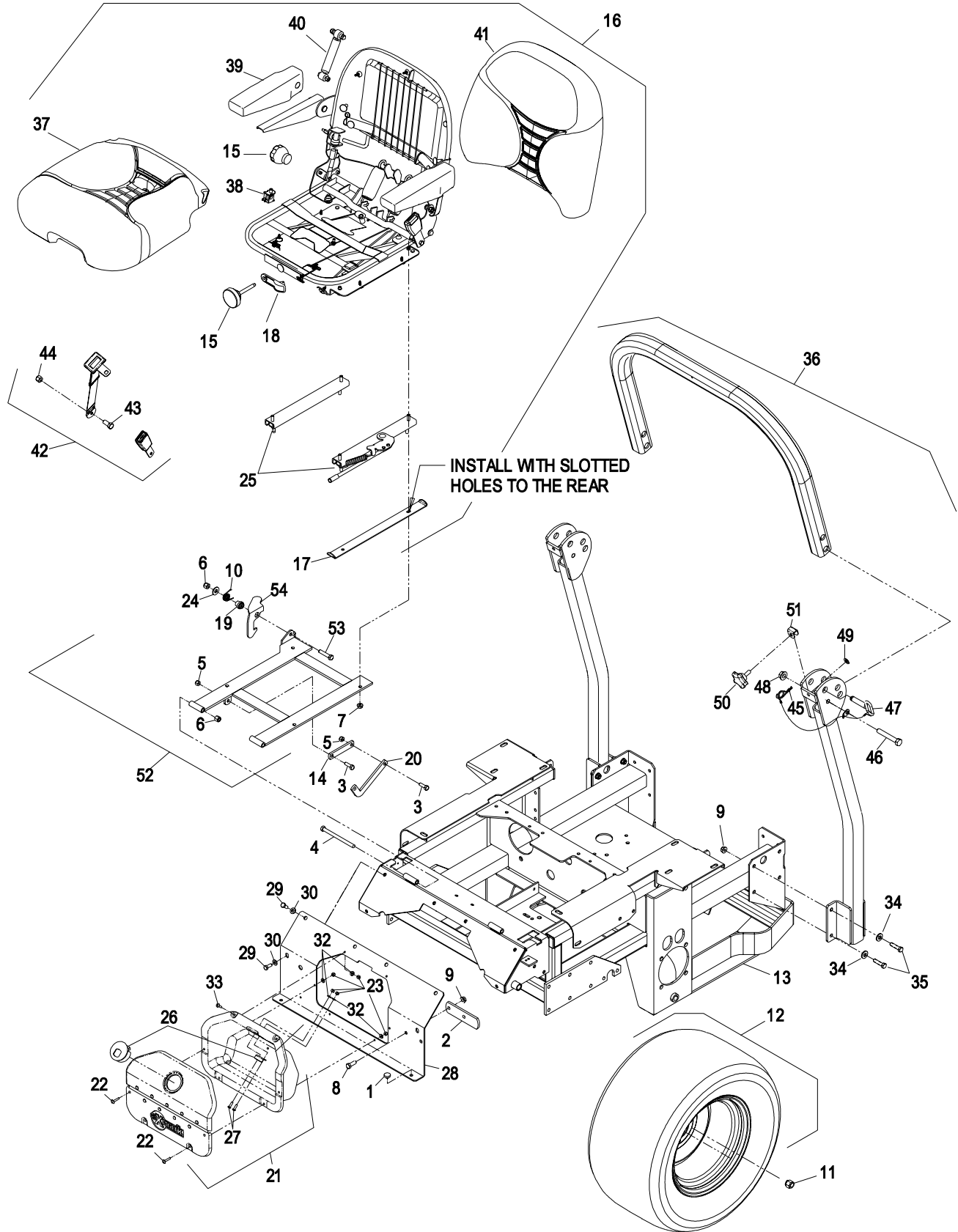
Item	Part No.	Description	Qty.
1	1-513658	Bumper.....	2
2	1-633964-03	Stop, Park Brake.....	1
3	322-5	Screw, HH 5/16-18 x 1.....	4
4	323-39	Screw, HH 3/8-16 x 5.....	2
5	3296-29	Nut, Nyloc 5/16-18.....	4
6	3296-39	Nut, Nyloc 3/8-16.....	3
7	32128-20	Nut, Whizlock 5/16-18.....	4
8	323-6	Screw, HH 3/8-16 x 1.....	2
9	3290-357	Nut, Whizlock 3/8-16.....	10
10	103-5519	Spring.....	1
11	242-50	Nut, Lug 1/2-20.....	8
12	103-4962	Asm, Wheel & Tire.....	2
	103-4963	Tire, 26x12-12 4 Ply.....	2
	1-633992	Wheel.....	2
13	103-7466	Asm, Engine Deck (103-4504-03) W/Decals.....	1
14	103-5161	Link, XP Seat Stop.....	2
15	107-1881	Kit, Knob.....	1
16▲	LSSEAT	Seat, Suspension.....	1
17	1-633872-03	Stop, Seat.....	2
18	107-1885	Kit, Weight Indicator.....	1
19	107-0075	Bushing.....	1
20	103-5181	Link, XP Lower Seat Stop.....	2
21	103-3666	Asm, Cubby.....	1
22	32122-28	Screw, Truss HD #10-24 x 1.....	4
23	3296-2	Nut, Nyloc #10-24.....	8
24	3256-4	Washer, 3/8 Std.....	1
25	107-1880	Kit, Seat Track.....	1
26	103-3790	Latch, Cubby Door.....	1

Item	Part No.	Description	Qty.
27	3290-500	Screw, PPH #10-24 x 5/8.....	2
28	103-5254	Asm, Console(103-3665-03) W/Decals..	1
29	322-3	Screw, HH 5/16-18 x 3/4.....	6
30	3256-23	Washer, 5/16 SAE.....	6
31+	Briggs & Stratton	P/N 492932 Oil Filter (not shown).....	1
32	3256-14	Washer, #10 Std.....	8
33	1-803075	Screw, Truss Head #10-24 x 3/4.....	2
34	98-5975	Washer, Spring Disk 3/8.....	8
35	323-6	Screw, HH 3/8-16 x 1.....	8
36◆	103-5597	Kit, XP Rops Service.....	1
37	107-1883	Kit, Bottom Cushion.....	1
38	107-1886	Kit, Switch.....	1
39	107-1887	Kit, Armrest.....	1
40	107-1884	Kit, Shock Absorber.....	1
41	107-1882	Kit, Back Cushion.....	1
42	103-4469	Kit, Seat Belt.....	1
43	3212-4	Screw, HH 7/16-20 x 1.0.....	2
44	3296-38	Nut, Nyloc 7/16-20.....	2
45	107-3155	Cotter, Hair Pin Double Loop.....	2
46	325-13	Screw, HH 1/2-13 x 3 1/4.....	2
47■	103-4553	Asm, Rops Fold Pin.....	2
48	32128-23	Nut, Hex Flange Side Lock 1/2-13.....	2
49	107-3154	Nut, Push 3/8-16.....	2
50	106-0887	Knob.....	2
51	107-3124	Clip.....	2
52	103-5537	Asm, Seat Frame.....	1
53	323-9	Screw, HH 3/8-16 x 2.....	1
54	103-5520	Latch, Seat.....	1

Exmark black touch up spray paint – Gloss black

- Includes ROPS fold pin plus hairpin, item #45.
- ◆ Rollover protection frame is serviced as a complete assembly only. Includes complete ROPS frame, mounting hardware, fold pivot and locking hardware, seat frame assembly item #52, and seat belt assembly item #42.
- + Refer to Engine Owner's Manual.
- ▲ Includes seat assembly plus tracks item #25, seat stops item #17, and seat wiring harness (item #44 pg. 25). Does not include seat belt assembly item #42.

MAIN FRAME GROUP



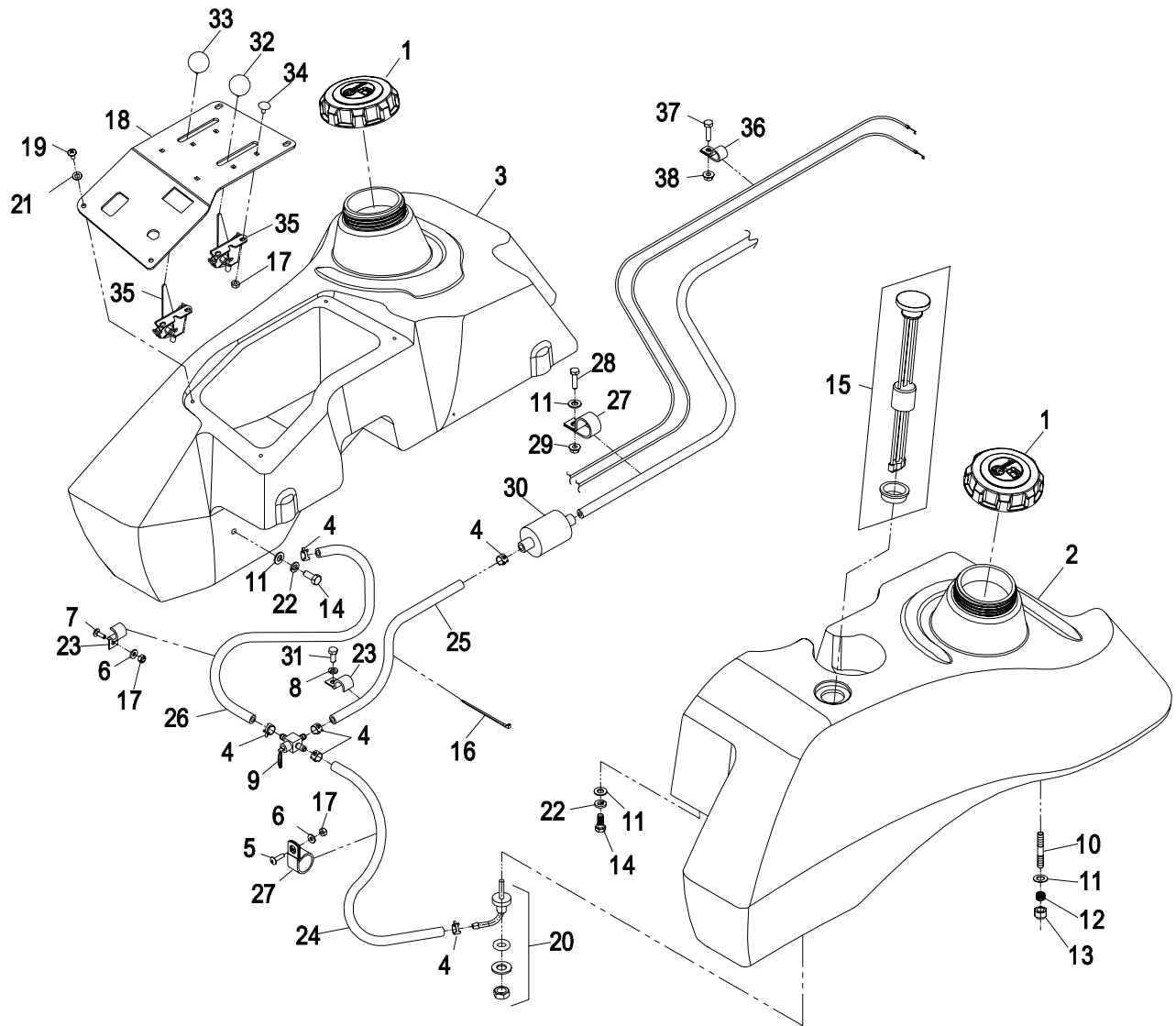
FUEL GROUP

Item	Part No.	Description	Qty.
1	103-3536	Cap, Fuel Tank	2
2*	103-7510	Asm, Fuel Tank (LH).....	1
3*	103-7511	Asm, Fuel Tank (RH)	1
4	1-303077	Clamp, Fuel Line.....	6
5	1-803075	Screw, Truss HD #10-24 x 3/4	1
6	3256-14	Washer, #10 Std	2
7	1-807533	Bolt, Carriage #10-24 x 5/8	1
8	1-805004	Washer, Lock 1/4 Heavy.....	1
9	1-633347	Valve, Fuel.....	1
10◆	1-633023	Stud, Fuel Tank	6
11	3256-23	Washer, Flat SAE 5/16	11
12	1-633349	Spring, Fuel Tank.....	6
13	3296-47	Nut, Nyloc 5/16-18 Thin	6
14	322-3	Screw, 5/16-18 x 3/4	4
15	103-6564	Kit, Fuel Gauge.....	1
16	1-303335	Tie, Cable 7 15/16 (Large)	1
17	3296-2	Nut, Nyloc #10-24	6
18	103-7512	Asm, Control Panel (103-6945-03) W/Decals	1
19▽	32122-30	Screw, Truss HD#10-24 x 1/2	4
20★	103-2605	Fitting, Fuel Bulkhead	2
	103-2784	O-Ring	1

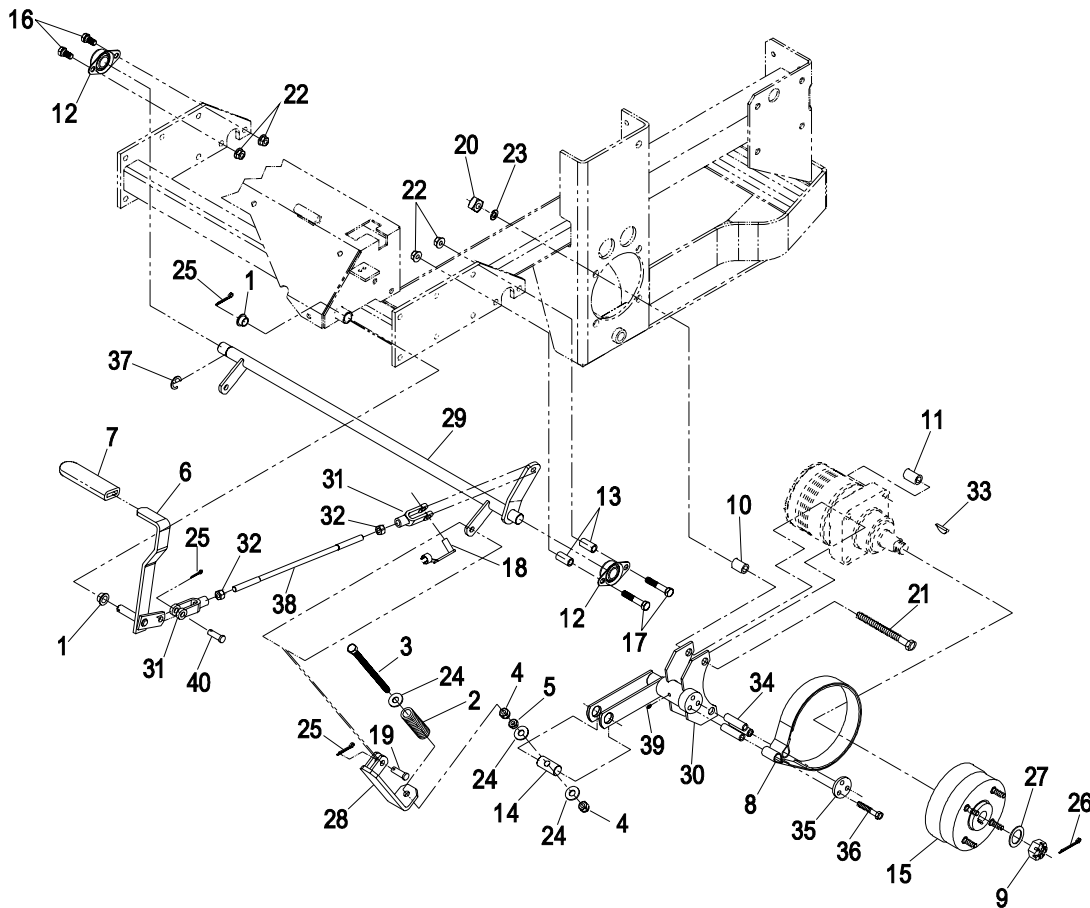
Item	Part No.	Description	Qty.
21	1-303435	Washer, Spring Disc 1/4.....	4
22	1-805005	Washer, Lock 5/16.....	4
23	103-1193	Clip, Loom Half	2
24	103-1419	Hose, Fuel Line 32"	1
25	1-603954	Hose, Fuel Line 13 3/4"	1
26	1-543526	Hose, Fuel Line 24"	1
27	1-643312	Clip, Loom	2
28	322-4	Screw, HH 5/16-18 x 7/8.....	1
29	32128-20	Nut, Whizlock 5/16-18	1
30◇	Briggs & Stratton	P/N 695327 Fuel Filter.....	1
31	321-3	Screw, HH 1/4-20 x 5/8.....	1
32	1-513592	Knob, Red (Throttle)	1
33	1-513593	Knob, Black (Choke).....	1
34	1-807513	Bolt, Carriage #10-24 x 1/2	4
35	103-4091	Cable, Throttle	2
36	1-513762	Clip, Loom .50	1
37	321-6	Screw, HH 1/4-20 x 1.....	1
38	32128-33	Nut, Whizlock 1/4-20	1

- ◆ Use Pro-Lock, Retaining type (Part No. 1-840023), .5cc tube on stud threads going into the tank.
- ◇ Refer to Engine Owner's Manual.
- ▽ Snug fit only on slotted holes, **Do Not Overtighten**, tank must be able to expand.
- ★ Use Prolock, Nut type (Part No. 1-840022), .5ml tube on fuel fitting.
- * Includes tank, cap, fittings, and studs. LH tank also includes fuel gauge.

FUEL GROUP



PARK BRAKE GROUP



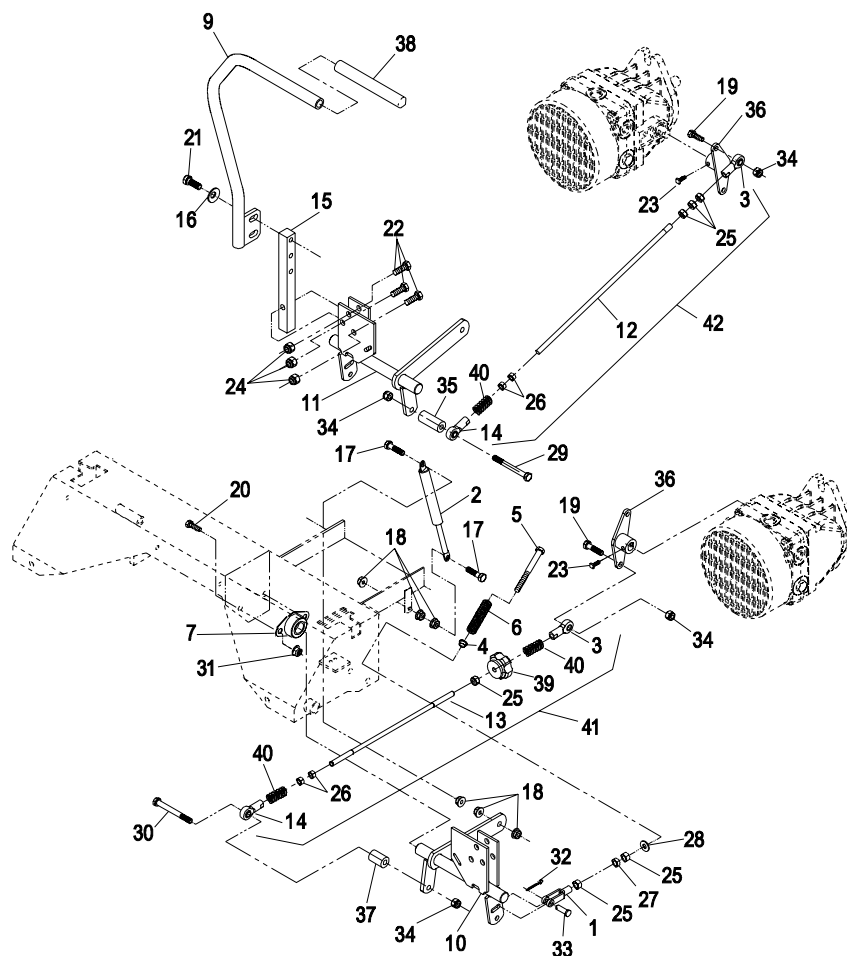
Item	Part No.	Description	Qty.
1	1-513140	Bushing.....	2
2	1-633454	Spring, Brake Rod.....	2
3	323-58	Bolt, HH 3/8-16 x 6 Tap.....	2
4	3296-39	Nut, Nyloc 3/8-16.....	4
5	3218-3	Nut, Jam 3/8-16.....	2
6	103-0197	Asm, Lever (103-0201-03) W/Grip.....	1
7	1-633268	Grip, Brake Lever.....	1
8	103-0355	Band, Brake.....	2
9	1-809036	Nut, Slotted 1-20.....	2
10	1-633380	Spacer (Short)(60").....	4
	1-633060	Spacer (Short)(72").....	4
11	1-633382	Spacer (Long)(60").....	4
	1-633062	Spacer (Long)(72").....	4
12	1-633102	Bearing, Flange.....	2
13	103-0051	Spacer, Brake Retainer.....	2
14	1-633144	Pin, Trunion.....	2
15	103-0590	Asm, Wheel Hub W/Studs & Drum.....	2
◆	1-633926	Studs, Wheel.....	8
16	323-4	Screw, HH 3/8-16 x 3/4.....	2
17	323-10	Screw, HH 3/8-16 x 2.....	2
18	103-2399	Pin, Clevis Spring 3/8.....	1
19	1-808284	Pin, Clevis 3/8 x 1.....	2
20	103-0131	Nut, Square 1/2-13.....	8

Item	Part No.	Description	Qty.
21	325-17	Screw, HH 1/2-13 x 4 (60").....	8
	325-20	Screw, HH 1/2-13 x 6 (72").....	8
22	3290-357	Nut, Whizlock 3/8-16.....	4
23	3253-7	Washer, Lock 1/2.....	8
24	3256-4	Washer, 3/8 Std.....	6
25	3272-10	Pin, Cotter 1/8 x 3/4.....	4
26	1-806800	Pin, Cotter 9/64 x 1 1/2.....	2
27	1-523157	Washer, Spacer.....	2
28	103-1117-03	Lower Brake Linkage.....	2
29	103-5243-03	Brake Shaft.....	1
30	103-0810-03	Bracket, Brake (72").....	2
	103-0844-03	Bracket, Brake (60").....	2
31	1-633131	Yoke.....	2
32	3219-3	Nut, Hex 3/8-24.....	2
33	3257-42	Key, Woodruff 5/16 x 1.....	2
34	103-0384	Spacer.....	6
35	103-0374	Retainer, Brake Band.....	2
36	322-9	Screw, HH .312-18 x 1.75.....	6
37	32151-48	E-Ring.....	1
38	103-1708	Rod, Brake.....	1
39	1481	Zerk, 45° 1/4-28 (60").....	2
	302-19	Zerk, 1/4-28 Str (72").....	2
40	1-808285	Pin, Clevis 3/8 x 1 1/8.....	1

Exmark black touch up spray paint – Gloss black

◆ Not Illustrated

MOTION CONTROL GROUP



Item	Part No.	Description	Qty.
1	1-303105	Yoke	2
2	103-4079	Damper	2
3	1-543017	Balljoint (RH).....	2
4	1-603735	Bushing, Nylon.....	2
5	1-603737	Bolt, Neutral Return	2
6	1-603807	Spring	2
7	1-633102	Bearing, Flanged.....	4
8*	103-3457	Asm, Lever W/Grip (LH).....	1
9	103-3458	Asm, Lever W/Grip (RH)	1
10	103-4787	Wld, Motion Control Bracket (LH).....	1
11	103-4788	Wld, Motion Control Bracket (RH).....	1
12	103-5182	Link, Hydro Connecting (RH)	1
13	103-3065	Link, Hydro Connecting (LH)	1
14	1-633152	Balljoint (LH)	2
15	103-0407	Arm, Control Shaft	2
16	98-5975	Washer, Spring Disk 3/8	4
17	1-403180	Screw, HH 5/16-18 x 1 1/4 Sp.....	4
18	32128-20	Nut, Whizlock 5/16-18.....	12
19	322-6	Screw, HH 5/16-18 x 1 1/4	2
20	323-4	Screw, HH 3/8-16 x 3/4	8
21	323-6	Screw, HH 3/8-16 x 1	4

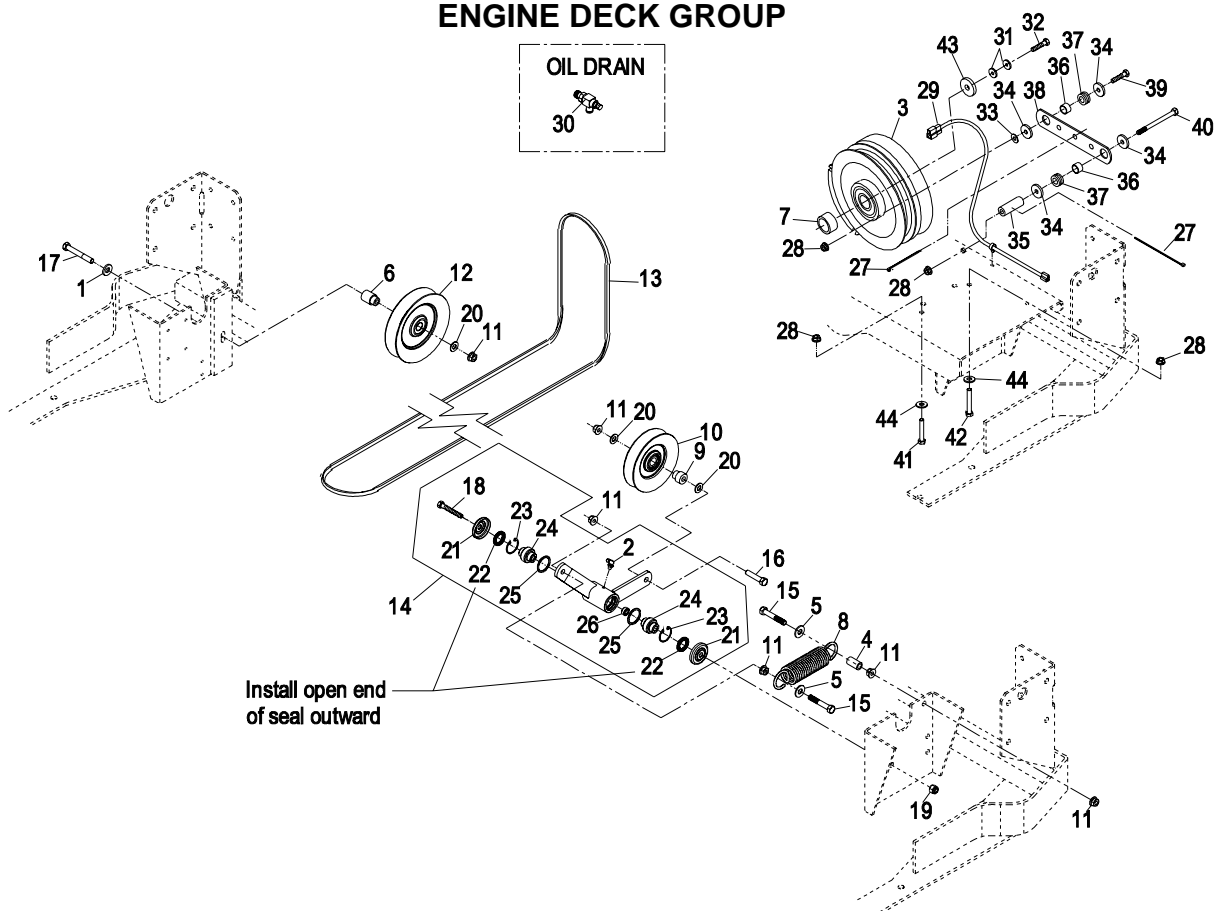
Item	Part No.	Description	Qty.
22	323-9	Screw, HH 3/8-16 x 1 3/4.....	6
23◇	1-803022	Setscrew, 5/16-18 x 5/8	2
24	3296-39	Nut, Nyloc 3/8-16.....	6
25	3219-2	Nut, Hex 5/16-24.....	8
26	1-804524	Nut, Hex 5/16-24 (LH).....	4
27	3220-2	Nut, Jam 5/16-24	2
28	3256-2	Washer, 1/4 Std.....	2
29	322-14	Screw, HH 5/16-18 x 3.....	1
30	322-12	Screw, HH 5/16-18 x 2 1/2.....	1
31	3290-357	Nut, Whizlock 3/8-16	8
32	3272-5	Pin, Cotter 3/32 x 1/2.....	2
33	1-808280	Pin, Clevis 5/16 x 1	2
34	3296-29	Nut, Nyloc 5/16-18.....	4
35	103-5192	Spacer, Hyd Control (RH)	1
36	103-0194-03	Wld, Pump Control Arm.....	2
37	103-1361	Spacer, Hyd Control (LH).....	1
38	103-3456	Grip, Motion Control Handle.....	2
39	103-3060	Knob, Tracking	1
40	1-323245	Spring, Compression	3
41	103-3062	Asm, Tracking Rod Linkage (LH).....	1
42	103-5190	Asm, Tracking Rod Linkage (RH)	1

Exmark black touch up spray paint – Gloss black.

* Not illustrated.

◇ Use Pro-Lock, Nut Type (P/N 1-840022, .5ml tube) on setscrews.

ENGINE DECK GROUP



Item	Part No.	Description	Qty.
1	98-5975	Washer, Spring Disc 3/8	1
2	302-40	Zerk, 90° 1/4-28	1
3●	103-3244	Kit, Clutch	1
	103-3012	Kit, Brake Pole Module	1
4	1-603401	Spacer, Spring	1
5	3256-4	Washer, 3/8 Std	2
6	103-2627	Bushing, Idler	1
7	103-4579	Spacer	1
8	1-603402	Spring, Mule Idler	1
9	1-603496	Bushing, Idler	1
10	1-603805	Pulley, Idler	1
11	3290-357	Nut, Whizlock 3/8-16	6
12	1-633166	Pulley, Idler	1
13	103-6506	Belt, Mule Drive	1
14★	103-5695	Kit, Idler Arm (103-4593-03) W/Bearings	1
15	323-11	Screw, HH 3/8-16 x 2 1/4	2
16	323-9	Screw, HH 3/8-16 x 1 3/4	1
17	323-13	Screw, HH 3/8-16 x 2 3/4	1
18	1-800805	Screw, HH 3/8-16 x 3 1/2 Gr8	1
19	3296-39	Nut, Nyloc 3/8	1
20	3256-24	Washer, 3/8 SAE	3
21	103-2916	Guard, Top	2

Item	Part No.	Description	Qty.
22	103-3506	Seal, Single Lip	2
23	32120-10	Ring, Retaining	2
24	103-3504	Bearing, Spherical	2
25	106-7159	O-ring	2
26	103-5677	Spacer	1
27	1-303335	Tie, Cable 7 15/16 (Large)	2
28	32128-20	Nut, Whizlock 5/16-18	6
29■	103-3247	Kit, Clutch Jumper Harness	1
30	103-6602	Valve, Oil Drain	1
31	1-603610	Washer, Spring Disk 7/16	2
32▲	3212-6	Screw, HH 7/16-20 x 1 1/2	1
33	3256-3	Washer, 5/16 Std	1
34	1-613235	Washer	4
35	1-633988	Spacer, Clutch Anchor	1
36	1-633545	Spacer, Grommet	2
37	1-633630	Grommet	2
38	1-633543-03	Strap, Clutch	1
39	322-6	Screw, HH 5/16-18 x 1 1/4	1
40	322-19	Screw, HH 5/16-18 x 4	1
41	322-10	Screw, HH 5/16-18 x 2	3
42	322-11	Screw, HH 5/16-18 x 2 1/4	1
43	1-543610	Washer	1
44	1-303334	Washer, Spring Disk 5/16	4

Exmark black touch up spray paint - gloss black.

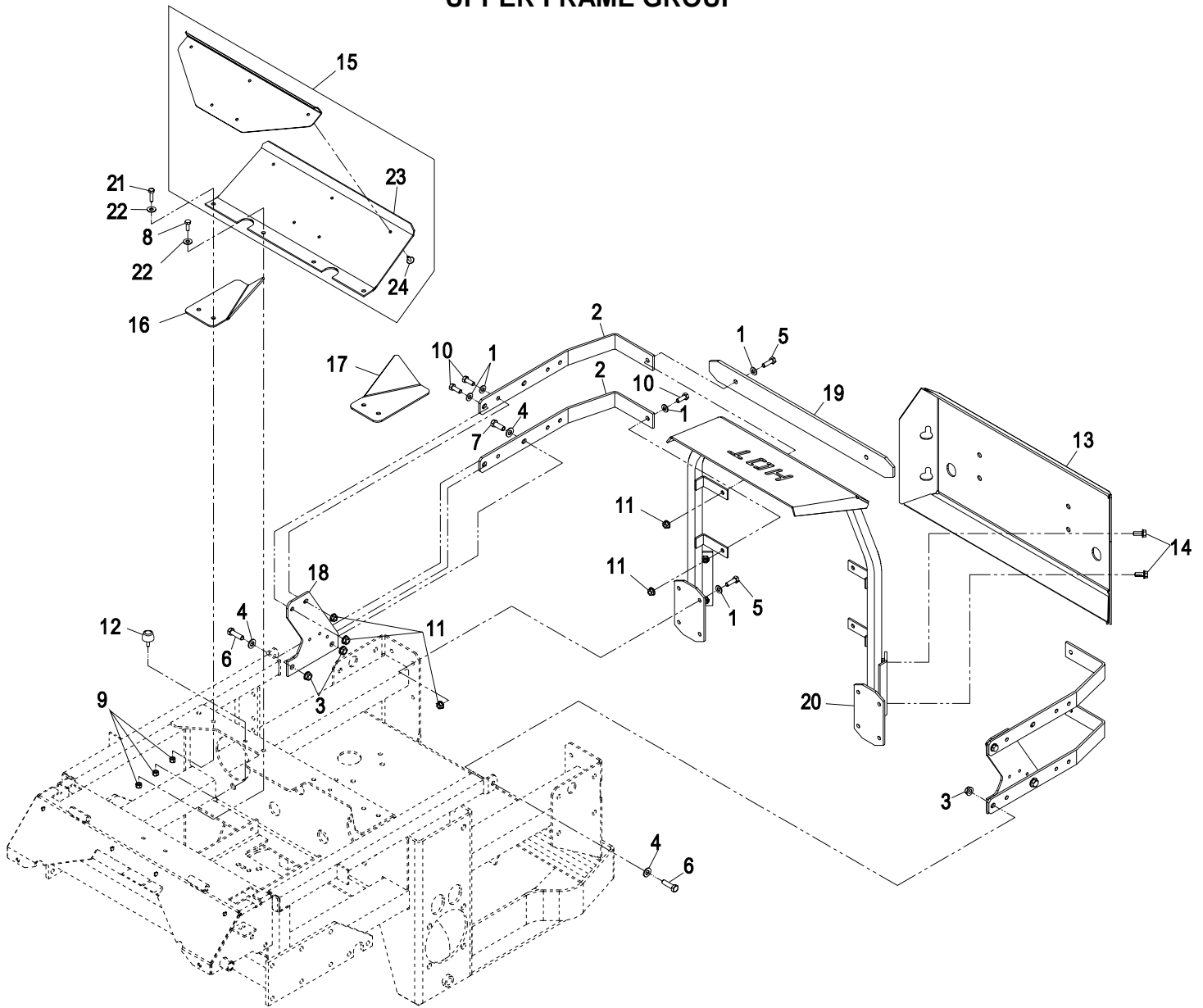
★ 103-5695 kit includes components shown and nyloc nut item #19.

▲ Use Pro-Lock, Nut Type (P/N 1-840022, .5ml tube) on clutch bolt.

● Includes clutch and jumper harness kit item #29.

■ Includes jumper harness, clip and 2 plastic ties item #27.

UPPER FRAME GROUP



Item	Part No.	Description	Qty.
1	3256-23	Washer, 5/16 SAE	15
2	103-4906-03	Bar, Frame	4
3	3290-357	Nut, Whizlock 3/8-16.....	4
4	3256-24	Washer, 3/8 SAE	4
5	322-5	Screw, HH 5/16-18 x 1	10
6	323-7	Screw, HH 3/8-16 x 1 1/4	2
7	323-6	Screw, HH 3/8-16 x 1	2
8	321-4	Screw, HH 1/4-20 x 3/4	2
9	3296-42	Nut, Nyloc 1/4-20	6
10	322-4	Screw, HH 5/16-18 x 7/8	5
11	32128-20	Nut, Whizlock 5/16-18.....	15
12	1-523420	Bumper.....	2

Item	Part No.	Description	Qty.
13	103-1479-03	Wld, Rear Bumper.....	1
14	3234-47	Screw, HH FLG 5/16-18 x 3/4	4
15	103-7627	Asm, Front Eng Cover W/Decals	1
16	103-6619-03	Support, Front Cover (RH).....	1
17	103-6620-03	Support, Front Cover (LH)	1
18	103-6624-03	Support, Rib Side	2
19	103-5686-03	Guard, Rear Muffer	1
20	103-4571-03	Wld, Air Deflector	1
21	321-6	Screw, HH 1/4-20 x 1.....	2
22	3256-2	Washer, 1/4 Std.....	4
23	103-6621	Cover, Front Engine.....	1
24	1-803035	Rivet 3/16 x 1/4.....	5

Exmark black touch up spray paint – gloss black.

HYDRAULIC GROUP

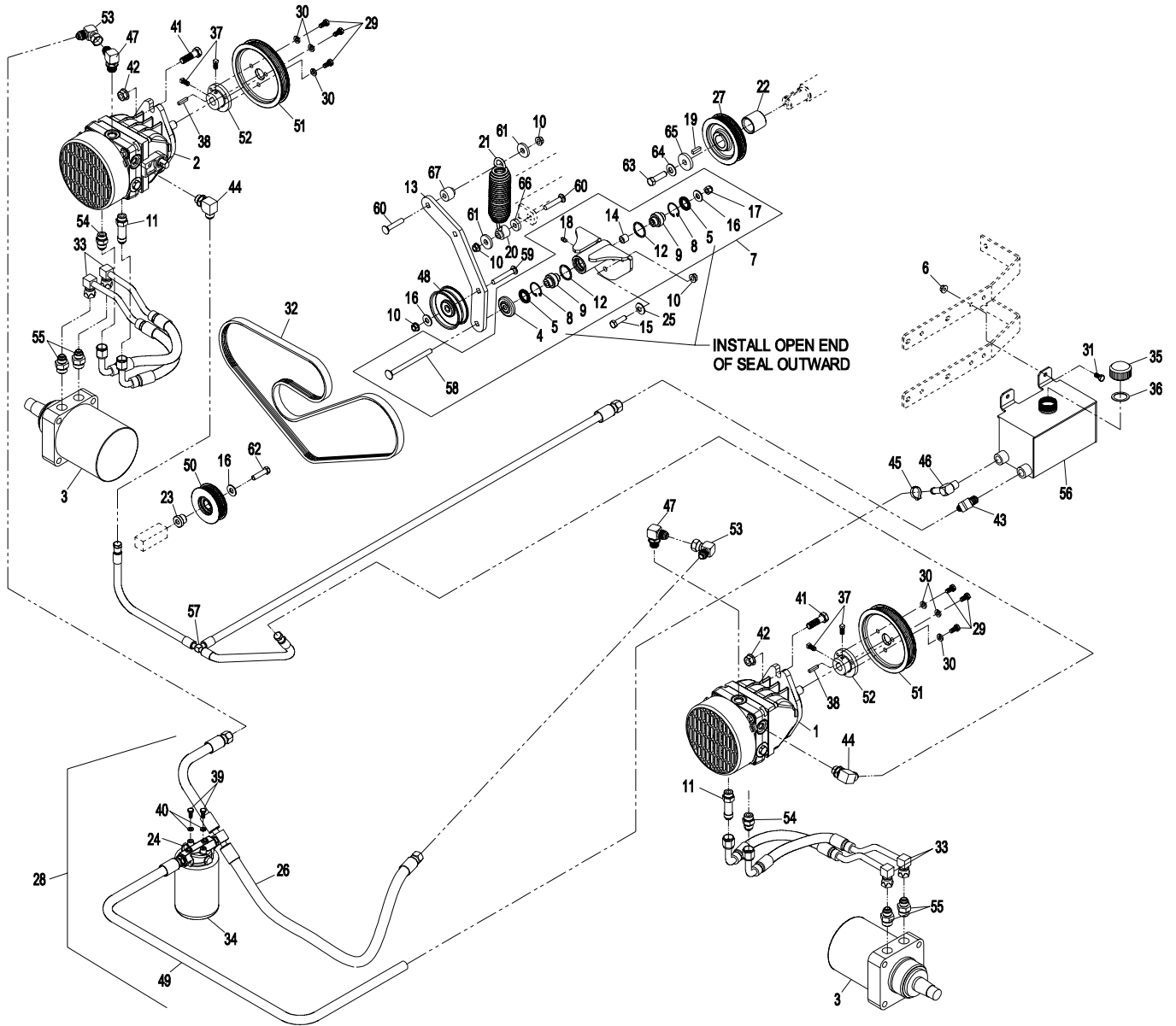
Item	Part No.	Description	Qty.
1	103-6565	Pump, Hydro (LH)	1
2	103-6566	Pump, Hydro (RH)	1
	100-6110	Kit, Seal Service 21L.....	1
	100-2669	Kit, Input Shaft 21L	1
	103-2670	Kit, Thrust Bearing 21L	1
	103-2668	Kit, Cylinder Block 21L.....	1
	103-2667	Kit, Valve Plate 21L.....	1
	103-7488	Fan, PW Pump Cooling	1
	103-7489	Guard, PW Pump Fan	1
3	103-2489	Motor, Wheel Drive	2
	1-000099	Kit, Seal	1
	1-000139	Kit, Bearing	1
4	103-2916	Guard, Top.....	1
5	103-3506	Seal, Single Lip.....	2
6	32128-20	Nut, Whizlock 5/16-18.....	2
7*	103-7613	Kit, Pump Idler (103-6248-03) W/Bearings	1
8	32120-10	Ring, Retaining	2
9	103-3504	Bearing, Spherical.....	2
10	3290-357	Nut, Whizlock 3/8-16.....	6
11	103-1940	Adaptor, Straight Long	2
	1-603992	O-Ring (37° Flare #8).....	1
	1-603920	O-Ring (SAE #8)	1
12	106-7159	O-ring.....	2
13	103-4573-03	Tightener.....	1
14	1-603401	Spacer	1
15	323-7	Screw, HH 3/8-16 x 1 1/4	3
16	3256-4	Washer, 3/8 Std.....	3
17	3296-39	Nut, Nyloc 3/8-16	1
18	302-19	Zerk, 1/4-28 Str.....	1
19	10-7070	Key, Machine 1/4 x 1/4 x 7/8	1
20	103-1575	Spacer, Fan Pump Spring.....	1
21	103-3330	Spring	1
22	103-6226	Spacer, Engine Sheave	1
23	103-4566	Spacer, Lower Frame Idler.....	1
24	103-2259	Filter Head	1
25	98-5975	Washer, Spring Disk 3/8	3
26	103-6498	Hose, Pump Inlet	1
27	103-4718	Sheave, Engine.....	1
28*	103-6497	Asm, Charge Hose.....	1
29	322-3	Screw, HH 5/16-18 x 3/4	6
30	1-805005	Washer, Lock 5/16 Heavy.....	6
31	322-4	Screw, HH 5/16-18 x 7/8	2
32	103-4569	Belt, Hydro Pump Drive.....	1
33	103-4679	Hose, Wheel Motor (72").....	4

Item	Part No.	Description	Qty.
	103-4680	Hose, Wheel Motor (60")	4
34	103-2146	Element, Hydraulic Oil Filter	1
35	1-513167	Cap, Hydraulic Tank	1
36	1-523103	Gasket, Tank Cap.....	1
37◇	1-803050	Setscrew, 5/16-18 x 3/4	4
38	103-2739	Key, 5mm X 5mm x 32mm	2
39	321-3	Screw, HH 1/4-20 x 5/8.....	2
40	1-805004	Washer, Lock 1/4 Heavy.....	2
41	325-5	Screw, HH 1/2-13 x 1 1/4.....	4
42	32128-49	Nut, Whizlock 1/2-13	4
43▽	103-1012	Elbow, 90°	1
44	103-1014	Elbow, 90°	2
	1-603920	O-Ring (SAE #8).....	1
45	103-2104	Clamp, Hose .89 Max Dia	1
46▽	103-2152	Elbow, 90°	1
47	103-2153	Elbow,90°	2
	1-603992	O-Ring (37° Flare #8)	1
	1-603920	O-Ring (SAE #8).....	1
48	103-4567	Sheave, Hydro Pump Idler.....	1
49	103-5121	Asm, Filter Inlet Hose	1
50	103-4728	Asm, Lower Frame Idler	1
51	103-4712	Sheave, Hydro Pump.....	2
52	103-1471	Hub, Hydro Pump Sheave	2
53	103-2315	Elbow, 90°	2
	1-603992	O-Ring (37° Flare #8)	1
54	1-603990	Adaptor, Straight.....	2
	1-603992	O-Ring (37° Flare #8)	1
	1-603920	O-Ring (SAE #8).....	1
55	1-603991	Adaptor, Straight.....	4
	1-603992	O-Ring (37° Flare #8)	1
	1-603919	O-Ring (SAE #10).....	1
56	103-5859	Asm, Hydraulic Reservoir (103-4902-03) w/Decals.....	1
57	103-6499	Asm, Case Drain Hose EPS	1
58	9000784	Bolt, Carriage 3/8-16 x 5	1
59	3231-31	Bolt, Carriage 3/8-16 x 2 1/2	1
60	3231-6	Bolt, Carriage 3/8-16 x 2	2
61	1-373034	Washer.....	2
62	323-8	Screw, HH 3/8-16 x 1 1/2.....	1
63	3212-6	Screw, HH 7/16-20 x 1 1/2.....	1
64	1-603610	Washer, Spring Disk 7/16	1
65	1-543610	Washer.....	1
66	103-3186	Spacer	1
67	103-7693	Spacer	1

Exmark black touch up spray paint – gloss black.

- ▽ Use Teflon pipe sealant on pipe threads in reservoir.
- ◇ Use Prolock, Nut Type (P/N 1-840022, .5ml tube) on setscrews.
- * Charge hose assembly includes items 49, 26, & 24 only.

HYDRAULIC GROUP



DECAL GROUP

Item	Part No.	Description	Qty.
1	103-1077	Decal, Bolt Torque	1
2	1-633313	Decal, Warning	1
3	98-5954	Decal, Missing Cover	2
4	1-513742	Decal, No Step	2
5	103-6700	Decal, Relay	1
6	1-643401	Decal, Mercury Switch	1
7	103-0262	Decal, Fuel Valve	1
8	1-523552	Decal, Hyd Tank / Hot Surface	1
9	1-643222	Decal, Belt Routing	1
10*	1-323540	Decal, Roller Mounting	1
11	1-513746	Decal, Muffler	1
12	1-513748	Decal, Guard	1
13	103-1798	Decal, Throttle	1
14	103-4930	Decal, Choke	1
15	107-2102	Decal, Folding ROPS	1
16	1-633706	Decal, Deck Height	1
17	103-5881	Decal, Rotating Devices	1

Item	Part No.	Description	Qty.
18	1-303508	Decal, Discharge Warning	1
19	103-6936	Decal, Belt Routing	1
20	103-7616	Decal, Ignition / PTO	1
21	103-4574	Decal, Exmark Logo	1
22	1-633922	Decal, Anti-Scalp	1
23	107-2112	Decal, Danger Slope	1
24	103-7474	Decal, Lazer XS Model	1
25	103-7218	Decal, Pump Fan Warning	1
26	103-6935	Decal, Check Service	1
27	103-3794	Decal, Park Brake	1
28	1-403005	Decal, Danger	2
29	103-3979	Decal, Cutting Height	1
30	103-1146	Decal, Ultracut 60	1
31	103-1147	Decal, Ultracut 72	1
32	103-5200	Decal, Top Console	1
	103-7490	Kit, Decal XS	1

* Decal used on decks with type A anti scalp axles. Reference pages 3-6.

DECAL GROUP

1

CAUTION

Loose or Damaged Blade Bolt may allow blade to come out from under deck at HIGH SPEED.

- Replace Blade Bolt after striking a foreign object.
- Torque Blade Bolt to 115-120 FT-LBS (156-163N m)

SEE OPERATOR'S MANUAL 103-1077

2

WARNING

DISengage BLADE CLUTCH, SHUT OFF ENGINE AND REMOVE KEY BEFORE MAKING ADJUSTMENTS, SERVICING OR CLEANING DECK.

1-30005

3

DANGER

COVER IS MISSING. DO NOT OPERATE THIS UNIT WHEN COVER IS NOT IN PLACE.

4

NO STEP

1-87872

5

START RELAY KILL RELAY CHARGE RELAY

103-1291

6

MERCURY SWITCH PART NUMBER 1-83782. SEE OPERATOR'S MANUAL FOR DISPOSAL INSTRUCTIONS.

7

RH LH OFF

8

HYDRAULIC OIL-USE ONLY MOBIL 1 SAE 15W-50 SYNTHETIC ENGINE OIL. FILL TO TOP OF BAFPLE.

CAUTION

HOT SURFACE

1-32350

9

BELT ROUTING

BLADE BELT: 1-84882-72 1-838127-02 1-833386-82

1-84822

10

ITEM NAME

- 1 ROLLER
- 2 BRUSHING
- 3 SPRING WASHER
- 4 3/8-19 X 1/4 BOLT
- 5 MOUNT BRACKET
- 6 FLAT WASHER
- 7 WASLOCK NUT

*MUST BE GRADE 8

BOLT AND WASHERS MUST BE INSTALLED AS SHOWN IN DIAGRAM. TORQUE NUT TO 35-45 FT-LBS

1-323540

11

CAUTION

MUFFLER AND SHIELDS MAY EXCEED 150° F

1-84878

12

CAUTION

DO NOT OPERATE WITHOUT GUARD IN PLACE.

13

103-1788

14

103-4900

15

WARNING

TO AVOID INJURY OR DEATH FROM ROLL-OVER:

- Keep roll bar in the raised and locked position and use seat belt.
- Lower the roll bar only when absolutely necessary.
- THERE IS NO ROLL-OVER PROTECTION WHEN THE ROLL BAR IS DOWN.
- Do not wear seat belt when the roll bar is down.
- Drive slowly and carefully.
- Raise the roll bar as soon as clearance permits.
- Read and follow slope operation instructions and warnings.

103-2000

16

4.5 4.0 3.5 3.0 2.5 2.0

103-2000

17

WARNING

ROTATING MECHANICAL DEVICES CAN CAUSE SERIOUS INJURY!

- DO NOT operate without guards in place.
- Stop engine before opening cover.

103-6881

18

WARNING

DO NOT OPERATE WITHOUT DISCHARGE DEFLECTOR, ENTIRE GRASS COLLECTION SYSTEM, OR MULCH KIT IN PLACE. DO NOT REMOVE GRASS CATCHER UNTIL BLADES HAVE STOPPED.

1-300306

19

PUMP BELT ROUTING

BELT: 103-4569

103-6930

20

103-7416

21

exmark

22

ANTI-SCALP ROLLER ADJUSTMENT

FOR NORMAL OPERATING CONDITIONS, PLACE ROLLERS IN POSITIONS SHOWN FOR 3/4" (19 mm) GROUND CLEARANCE.

CUTTING HEIGHT (INCHES/mm)
2.0(51)
2.5(64)
3.0(76)
3.5(90)

FOR MAXIMUM FLOTATION ROLLERS MAY BE POSITIONED LOWER, BUT MUST MAINTAIN A MINIMUM OF 1/4" (6.4 mm) GROUND CLEARANCE. NEVER POSITION THE ROLLERS TO SUPPORT THE MOWER DECK.

1-83870

23

WARNING

- Operating on wet grass or steep slopes can cause stalling and loss of control.
- Wheels dropping over edges can cause rollovers, which may result in serious injury, death or drowning.
- To avoid loss of control and possibility of rollover:
 - Do NOT operate near drop-offs or near water.
 - Do NOT operate on slopes greater than 15°.
- Reduce speed and use extreme caution on slopes.
- Avoid sudden turns or rapid speed changes.
- There is no roll over protection when the roll bar is down.
- Always keep roll bar in the raised and locked position and use seat belt.
- Read and follow rollover protection instructions and warning.

103-2112

24

LAZER Z XS

25

WARNING

ROTATING FAN BLADES Can cause serious injury.

- DO NOT operate without guards in place.
- Stop engine before removing guards.

103-2716

26

CHECK/SERVICE REFERENCE AID

GREASE LUBE POINTS AT INTERVALS SHOWN.

- 1 CHECK HYDRAULIC FLUID AT INTERVAL SHOWN (USE ONLY MOBIL 1 15W-50 SYNTHETIC MOTOR OIL.)
- 2 SEE ENGINE OPERATOR'S MANUAL FOR SERVICING ENGINE.
- 3 CHECK TIRE PRESSURE AT INTERVAL SHOWN
- 4 CHECK TIRE PRESSURE AT INTERVAL SHOWN

SEE OPERATOR'S MANUAL FOR ADDITIONAL DETAILS

40 HOURS 200 HOURS YEARLY 40 HOURS YEARLY 40 HOURS YEARLY 40 HOURS YEARLY 40 HOURS YEARLY 40 HOURS YEARLY 40 HOURS YEARLY

103-8385

27

WARNING

To avoid serious injury or death:

- Read and understand the operator's manual before using this machine.
- Do NOT operate unless trained to safely use this machine.
- Do NOT operate under the influence of alcohol or drugs.
- Do NOT operate without shields, guards and safety devices in place and working.
- Check the function of the operator presence controls (OPC) safety system daily. Do NOT defeat the OPC system.
- Stop engine and remove key before adjusting, servicing or cleaning machine and attachments.
- Hearing protection is recommended.

103-3794

28

DANGER

KEEP HANDS and FEET AWAY

1-30005

29

DANGER

To avoid serious injury or death:

- Avoid blades when engine and blades are stopped.

WARNING

To avoid serious injury or death:

- Pick up objects that could be thrown by the blades.
- Do NOT mow when people and pets are in the area.
- Do NOT carry passengers.
- Look behind and to the sides before changing directions.
- Before leaving the operator's position:
 - Disengage PTO.
 - Move drive levers out to neutral position.
 - Engage park brake.
 - Stop engine.

100-9979

30

ULTRACUT 60™

31

ULTRACUT 72™

32

CAUTION

Mercury in its switch is poisonous and can cause severe illness.

- Never attempt to open or repair switch.
- Avoid contact with mercury.
- See operator's manual for disposal guide.

WARNING

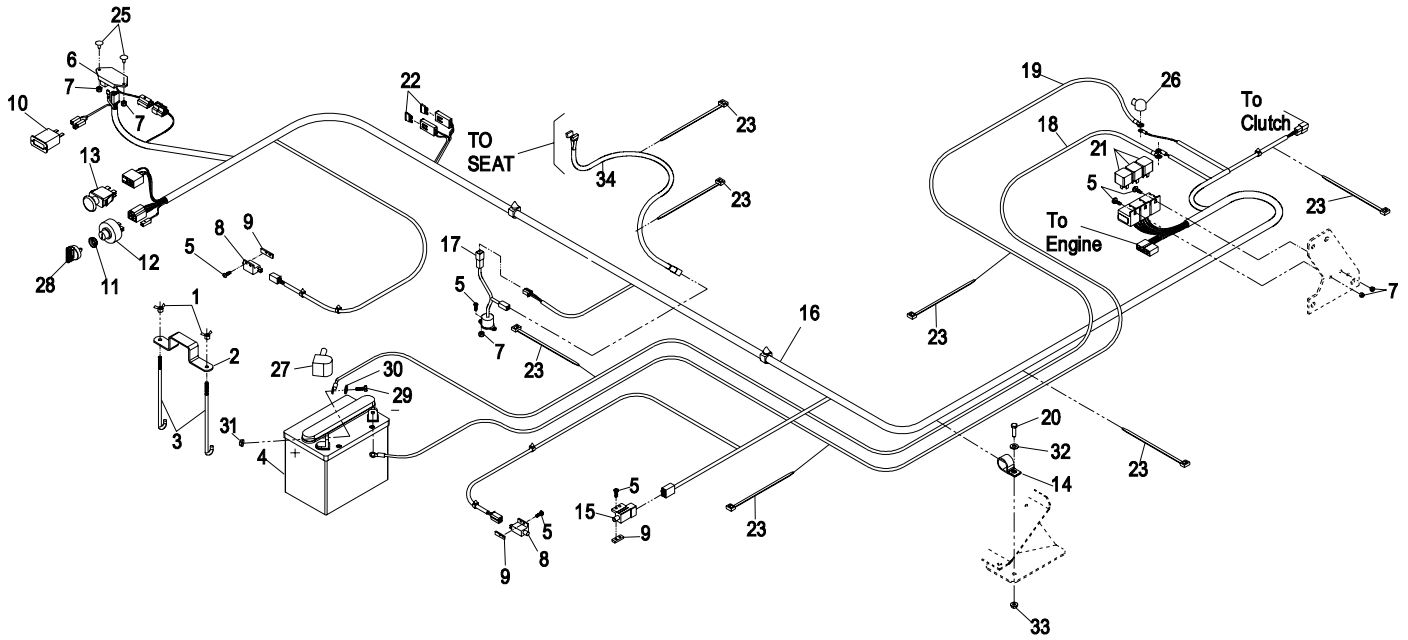
Battery contains sulfuric acid. Avoid contact and always shield eyes, face, skin and clothing from battery. Cigarettes, flames or sparks could cause battery to explode. Do not charge or use booster cables or adjust post connections without proper training. In event of an accident flush with water and call a physician immediately. Keep out of reach of children.

103-8200

DRIVE WHEEL RELEASE

Use 3/8 wrench. One turn counter-clockwise to release. Do not over-tighten.

ELECTRICAL GROUP

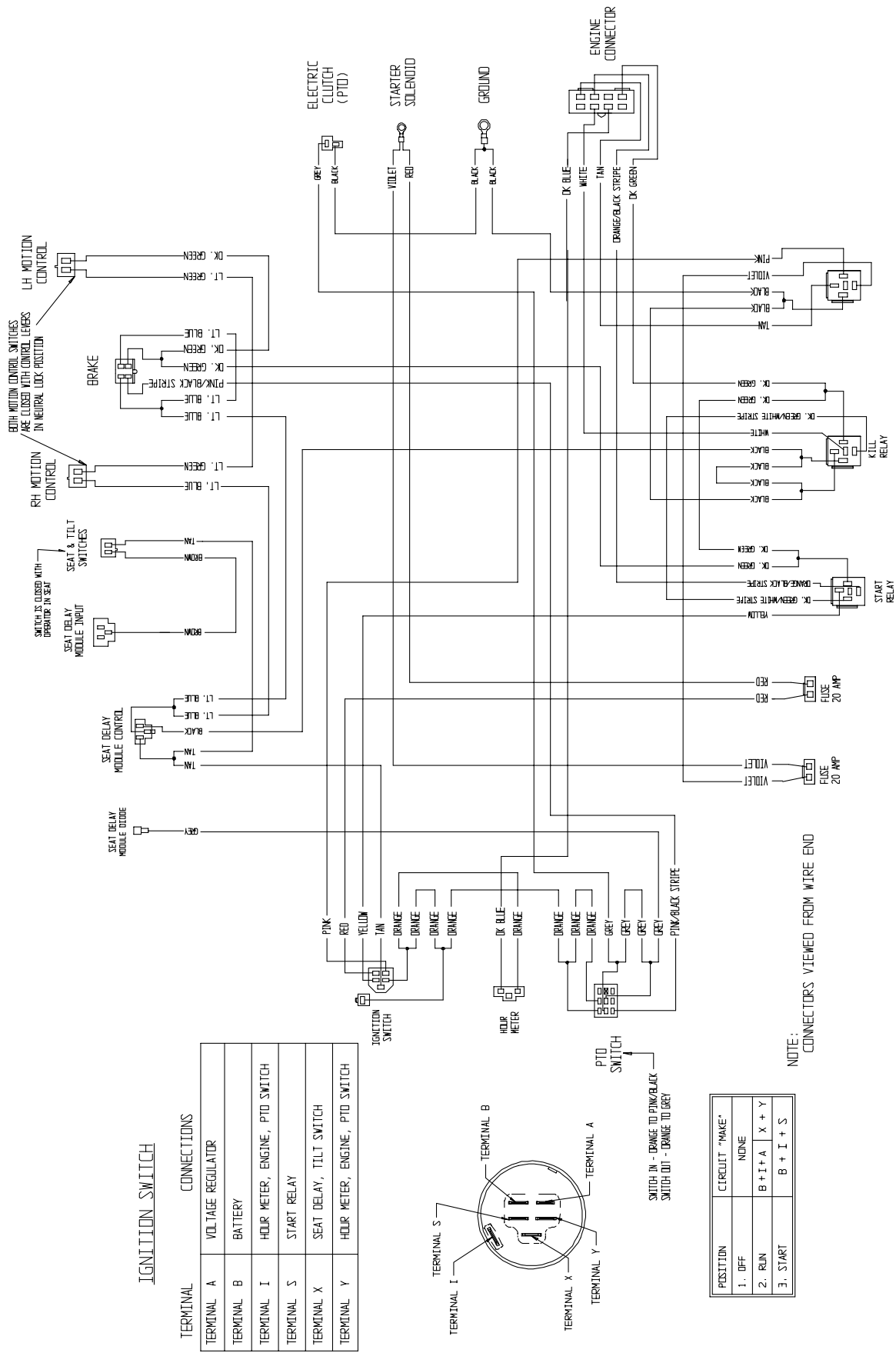


Item	Part No.	Description	Qty.
1	1-543792	Wingnut, Nyloc 1/4-20.....	2
2	1-633652-03	Strap, Holddown	1
3	1-633651	Bolt, Holddown.....	2
4	103-0293	Battery, Wet 12v DC.....	1
5	3290-500	Screw, PPH #10-24 x 5/8.....	10
6	103-5218	Module, Seat Delay.....	1
7	3296-2	Nut, Nyloc #10-24	6
8	1-513051	Switch, Drive Lever N.O.....	2
9	1-633181	Plate, Tapped	3
10	1-513374	Meter, Hour.....	1
11	103-0498	Nut, Ignition Switch	1
12	103-0206	Switch, Ignition W/Keys	1
13	103-5221	Switch, PTO.....	1
14	1-643312	Clip, Loom	1
15	1-633111	Switch, Brake N.O./N.C.	1
16◆	103-6568	Harness, Wiring	1
17◆	1-633782	Switch, Tilt	1

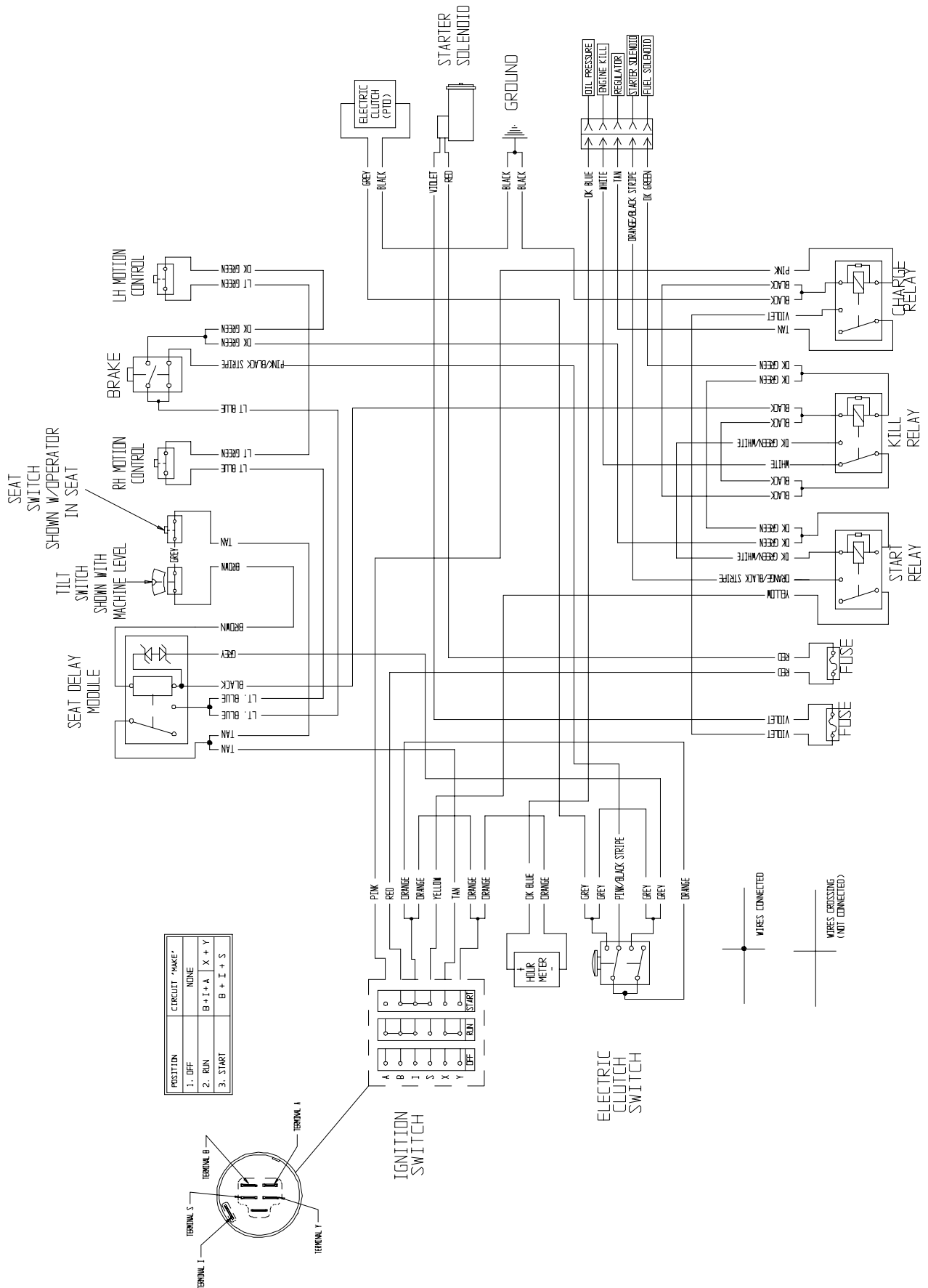
Item	Part No.	Description	Qty.
18	1-633307	Cable, Ground (-).....	1
19	1-523279	Cable, Battery (+)	1
20	322-4	Screw, HH 5/16-18 x 7/8.....	1
21	1-643275	Relay 12V	3
22	1-816001	Fuse, 20 Amp	2
23	1-303335	Tie, Cable 7 15/16 (Large)	7
25	1-807513	Bolt, Carriage #10-24 x 1/2.....	2
26	1-543393	Insulator, Solenoid (+).....	1
27	1-543391	Insulator, Battery	1
28	103-2160	Key, Exmark Logo	1
	1-603511	Key, Ignition.....	1
29	321-4	Screw, HH 1/4-20 x 3/4.....	2
30	3256-2	Washer, 1/4 Std.....	2
31	32128-33	Nut, Whizlock 1/4-20	2
32	3256-23	Washer, 5/16 SAE	1
33	32128-20	Nut, Whizlock 5/16-18	1
34◆	103-1227	Harness, Seat.....	1

◆ Use dielectric grease on all wiring harness connectors.

ELECTRICAL DIAGRAM



ELECTRICAL LOGIC SCHEMATIC



POSITION	CIRCUIT "NAME"
1. OFF	NONE
2. RUN	B + I + A X + Y
3. START	B + I + S

NOTES

NOTES

SERVICE RECORD

Date	Description of Work Done	Service Done By

SEE EXMARK'S COMPLETE LINE OF ACCESSORIES

RIDING ACCESSORIES

CUSTOM RIDE SEAT SUSPENSION SYSTEM
DECK LIFT ASSIST KIT
HITCH KIT
LIGHT KIT
MICRO-MULCH SYSTEM
ROLL OVER PROTECTION SYSTEM (ROPS)
SNOW BLADE
SUN SHADE
TRASH CONTAINER
TURF STRIPER
ULTRA VAC COLLECTION SYSTEM
ULTRA VAC QUICK DISPOSAL SYSTEM

WALK BEHIND ACCESSORIES

GRASS CATCHER
MICRO-MULCH SYSTEM
STEERABLE SULKY
SULKY HITCH KIT
TURF STRIPER

Check us out on the Web:
www.exmark.com

© 1997-2004 EXMARK MFG. CO. INC.
INDUSTRIAL PARK BOX 808
BEATRICE, NE 68310

PART NO. 103-8321
(402) 223-6300
FAX (402) 223-5489

ALL RIGHTS RESERVED

PRINTED IN U.S.A.

