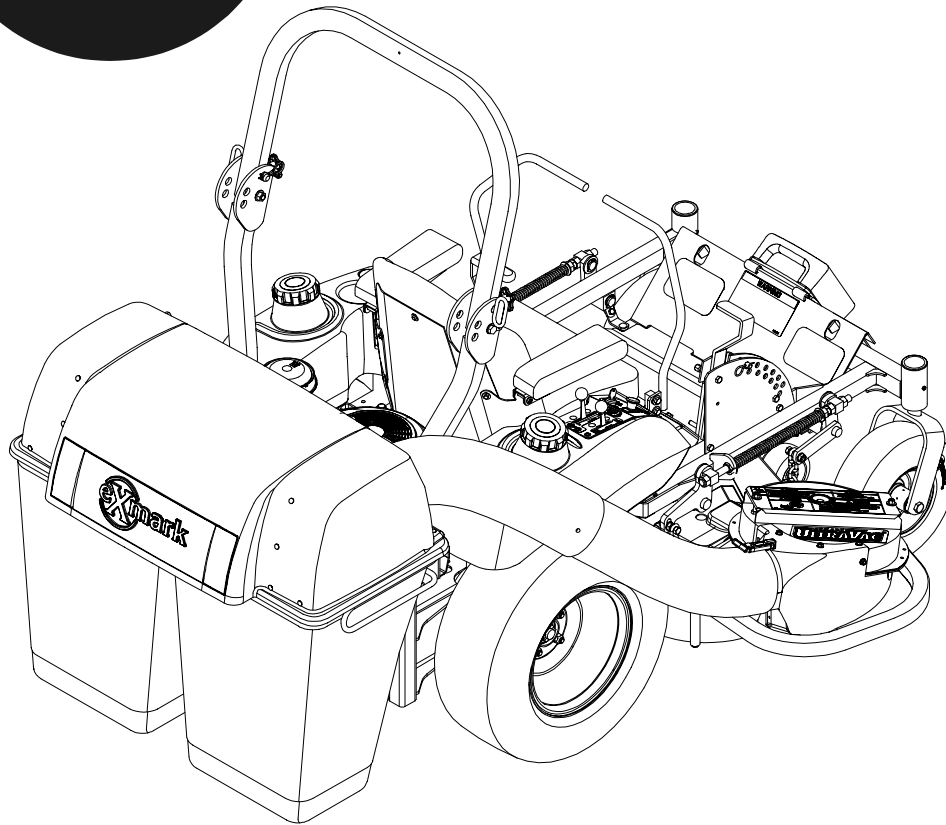


For Serial Nos.  
510,000 & Higher



PARTS MANUAL

# ULTRA VAC™

## LAZER Z® HP MODELS

**CONGRATULATIONS** on the purchase of your new Exmark equipment. This product has been carefully designed and manufactured to give you a maximum amount of dependability and years of trouble-free operation. If additional information is needed, or should you require trained mechanic service, contact your authorized Exmark equipment dealer or distributor. If you need to order replacement parts from your dealer, always give the model number and serial number of your equipment as well as the part number, description and quantity of the part needed.

The Serial No. plate is located on the front mount of the hopper assembly. For ease of ordering and reference, we suggest that you record the information requested in the following identification table.

|  |
|--|
| Place Model No. and Serial No. Label Here<br>(Included in Literature Pack)<br>or Fill in Below |
| Model No. _____  |
| Serial No. _____   |

Date Purchased \_\_\_\_\_

## EXMARK PARTS PLUS® PROGRAM

EFFECTIVE DATE: September 1, 1995

### Program

If your Exmark dealer does not have the Exmark part in stock, Exmark will get the parts to the dealer the next business day or the part will be FREE\* Guaranteed!!

### *How the Program Works*

1. If dealer does not have part in stock for a "down" unit at the time of request by customer, the dealer contacts his distributor by 1:00 p.m., local time, and requests Exmark Parts Plus® shipment of six (6) line items or less.
2. Distributor ships part(s) to dealer or customer, as requested by dealer, same day, overnight UPS. Distributor bills dealer for part and freight charges where applicable.
3. If distributor does not have the part(s) in stock to satisfy Exmark Parts Plus® order, he contacts Exmark by 3:00 p.m., central time, with an Exmark Parts Plus® order of six (6) line items or less.
4. If order is received by 3:00 p.m. central time, Exmark ships part(s) direct to dealer or customer, as requested by distributor, same day, overnight UPS. Exmark bills the distributor for parts and shipping charges, where applicable.
5. The customer pays for the part and freight if it is shipped under the Exmark Parts Plus® and if it arrives in accordance to the program.
6. Who pays for the part and freight if it fails to arrive overnight in accordance to the program?
  - A. Under any circumstance the customer does not pay.
  - B. If the part does not arrive overnight due to:
    1. The dealer not submitting the Exmark Parts Plus® order to his Exmark distributor by 1:00 p.m., the dealer pays for the part and freight.
    2. The Distributor being unable to ship the part the same day or not submitting the Exmark Parts Plus® order to Exmark by 3:00 p.m., central time, the Distributor pays for the part and freight.
    3. Exmark being unable to ship the part and the Exmark parts order is received by 3:00 p.m., central time, Exmark pays for the part and freight.
    4. If the part does not arrive overnight due to the shipper (UPS), the shipper pays for the freight and Exmark pays for the part.



**The following restrictions apply** -- The Exmark Parts Plus® Program is available only through participating Exmark Dealers and applies only to orders submitted on this program Monday through Thursday. Parts Plus service is available only in the contiguous 48 United States. UPS has initiated a Saturday delivery program to many areas of the continental United States and can be requested for an overnight shipment on Friday to be delivered Saturday. The next day air charge, plus the Saturday delivery fee will be the responsibility of the purchaser. Exmark Mfg. will assume no responsibility for Saturday delivery shipments. To qualify, all Exmark Parts Plus® orders must be received by Exmark by 3:00 p.m., central time. Orders must be six (6) line items or less. Exclusions from the Exmark Parts Plus® Program are: Any wholegood or accessory in its entirety, engines and engine replacement parts, 5-speed Peerless transmissions and 5-speed transaxles, hydraulic or hydrostatic wheel motors, cutter decks and engine decks or any item exceeding United Parcel Service size and weight restrictions.

Due to UPS restrictions, aerosol spray paint is considered a hazardous material and cannot be shipped via UPS next day or Second Day Air.

Exmark Manufacturing stocks a limited supply of parts for transaxles, pumps and wheel motors. These parts can be ordered for Next Day Air shipment but will not be guaranteed per the Parts Plus Program.



**READ OPERATOR'S MANUAL BEFORE  
OPERATING OR SERVICING EXMARK EQUIPMENT**

**TABLE OF CONTENTS**

| <b><u>Description</u></b>               | <b><u>Page</u></b> |
|---|--------------------|
| Blower Assembly .....                   | 3-6                |
| Decals .....                            | 10                 |
| Deck Components and Front Weights ..... | 9                  |
| Hood and Bag Assembly .....             | 7-8                |

BLOWER ASSEMBLY

| Item | Part No.    | Description   | Qty. |
|------|-------------|---|------|
| 1*   | 103-2874-03 | Wld, Blower Mount (44 & 48).....                      | 1    |
| *    | 103-2875-03 | Wld, Blower Mount (52).....                           | 1    |
| 2    | 103-3815    | Wld, Impeller .....                                   | 1    |
| 3+   | 1-653346    | Bearing, SPH. OD.....                                 | 2    |
| 4    | 1-513013    | Housing, Flange.....                                  | 4    |
| 5+   | 103-1047    | Sheave, Blower.....                                   | 1    |
| 6    | 103-3589    | Wld, Upper Housing<br>(1-652345-03) With Decals ..... | 1    |
| 7    | 1-653331    | Spring, Idler .....                                   | 1    |
| 8    | 3290-357    | Nut, Whizlock 3/8-16.....                             | 4    |
| 9    | 323-7       | Screw, HH 3/8-16 x 1 1/4 .....                        | 1    |
| 10   | 1-653600    | Bearing .....   | 2    |
| 11   | 323-12      | Screw, HH 3/8-16 x 2 1/2 .....                        | 2    |
| 12   | 3256-4      | Washer, 3/8 Std .....                                 | 1    |
| 13   | 323-8       | Screw, HH 3/8-16 x 1 1/2 .....                        | 1    |
| 14   | 1-353054    | Latch, Grass Catcher .....                            | 1    |
| 15   | 3296-39     | Nut, Nyloc 3/8-16 .....                               | 1    |
| 16   | 1-653322    | Pulley, Idler .....                                   | 1    |
| 17   | 103-0130    | Bushing, Idler Pivot .....                            | 1    |
| 18   | 103-1103    | Pulley, Idler .....                                   | 1    |
| 19   | 103-2876    | Asm , Idler W/Bushings<br>Zerk, & Decal .....         | 1    |
| 20   | 3230-18     | Bolt, Carriage 5/16-18 x 5/8 .....                    | 6    |

| Item | Part No. | Description                                      | Qty. |
|------|----------|--|------|
| 21   | 1-513208 | Washer, Spring Disk .....                        | 1    |
| 22   | 3219-6   | Nut, Hex 5/8-18.....                             | 1    |
| 23   | 3220-5   | Nut, Jam 1/2-20 .....                            | 1    |
| 24   | 1-513435 | Washer, Spring Disk .....                        | 1    |
| 25   | 1-653365 | Spacer .....                                     | 1    |
| 26   | 1-653366 | Hub.....   | 1    |
| 27   | 32128-20 | Nut, Whizlock 5/16-18.....                       | 6    |
| 28   | 3217-6   | Nut, Hex 5/16-18.....                            | 1    |
| 29   | 321-3    | Screw, HH 1/4-20 x 5/8.....                      | 4    |
| 30   | 32128-33 | Nut, Whizlock 1/4-20.....                        | 4    |
| 31   | 1-303334 | Washer, Spring Disk 5/16 .....                   | 1    |
| 32   | 3256-24  | Washer, 3/8 SAE .....                            | 1    |
| 33   | 103-0126 | Bushing, Locator.....                            | 1    |
| 34   | 3257-32  | Key, Woodruff #61 5/8 x 3/16.....                | 1    |
| 35   | 103-3585 | Cover, Bearing (103-3586-03)<br>With Decal ..... | 1    |
| 36   | 3296-29  | Nut, Nyloc 5/16-18 .....                         | 2    |
| 37   | 3256-3   | Washer, 5/16 Std.....                            | 2    |
| 38   | 3274-18  | Screw, Socket HD 5/16-18 x 1 1/4 .....           | 1    |
| 39   | 302-19   | Zerk, 1/8-28 Straight .....                      | 1    |
| 40   | 1-806323 | Roll pin .....                                   | 1    |
| 41   | 1-353050 | Pin, Grass Catcher .....                         | 1    |
| 42   | 3274-107 | Screw, Socket But HD 3/8-16 x 1 3/4.....         | 1    |

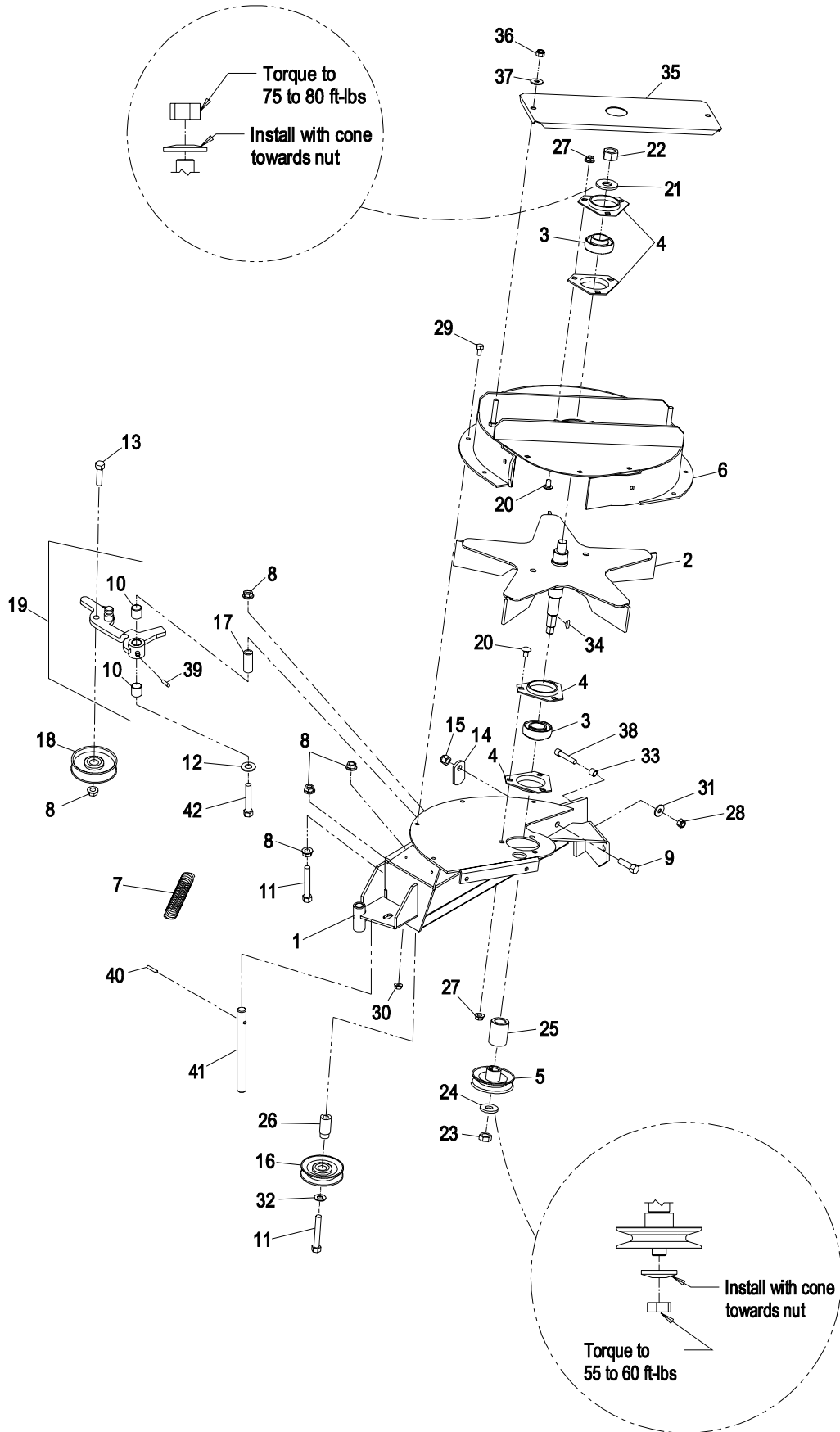
Exmark red touch up spray paint - P/N 1-850337.

Kit 103-0583 is available to repair the welded-on accessory mounting tube on all 44"-72" decks.

+ Apply Mobil HTS grease (P/N 103-5217 1.5 oz packet) (or a food-grade antisieze) on bore of sheave and bearings.

\* Includes items 40 and 41.

### BLOWER ASSEMBLY



BLOWER ASSEMBLY (cont.)

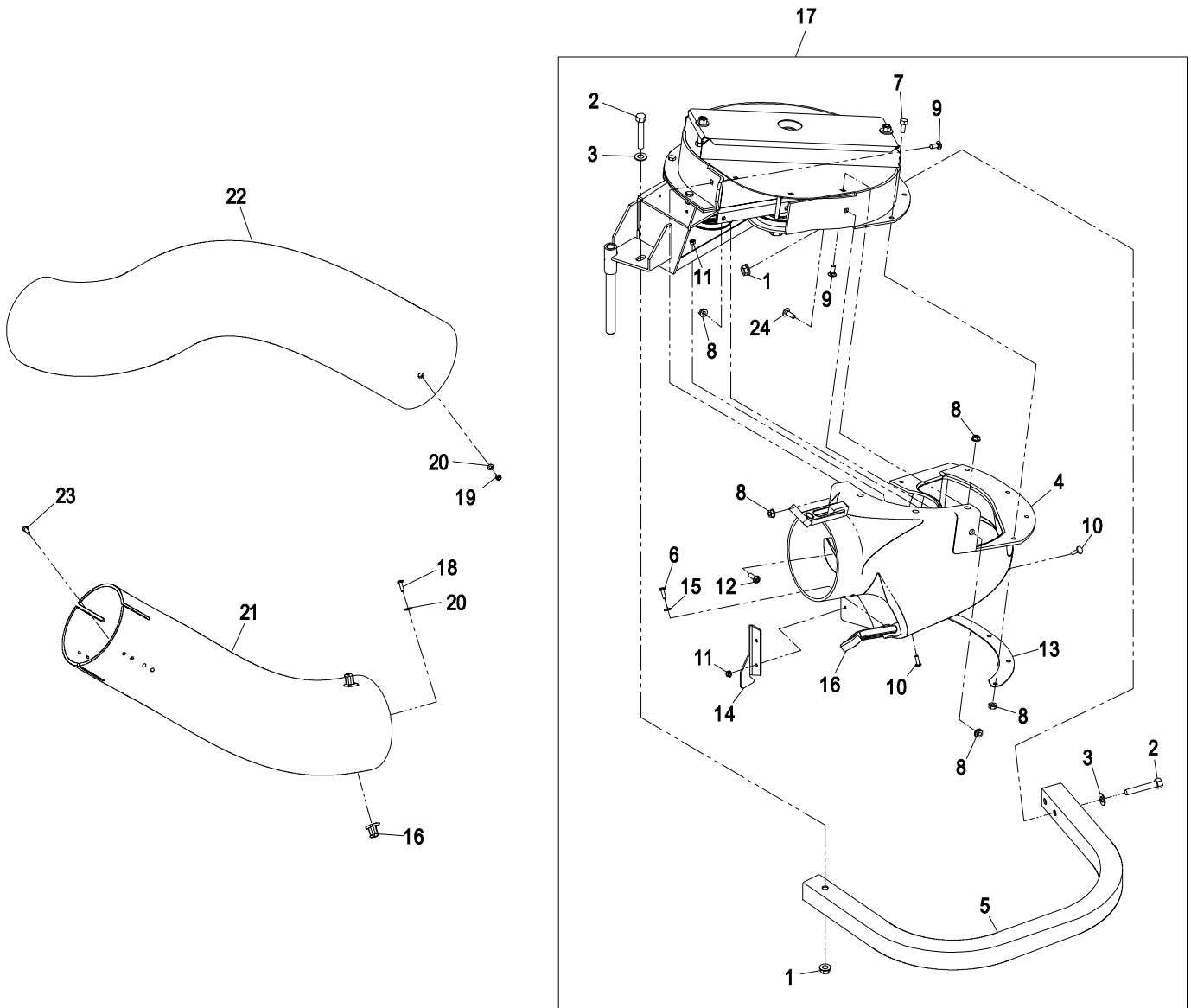
| Item | Part No.    | Description                              | Qty. |
|------|-------------|--|------|
| 1    | 3290-357    | Nut, Whizlock 3/8-16.....                | 4    |
| 2    | 323-11      | Screw, HH 3/8-16 x 2 1/4 .....           | 3    |
| 3    | 3256-4      | Washer, 3/8 Std .....                    | 3    |
| 4    | 103-4764    | Chute, Blower .....                      | 1    |
| 5    | 1-653352-01 | Bumper .....                             | 1    |
| 6    | 3290-500    | Screw, PPH #10-24 x 5/8 .....            | 4    |
| 7    | 321-3       | Screw, HH 1/4-20 x 5/8 .....             | 4    |
| 8    | 32128-33    | Nut, Whizlock 1/4-20 .....               | 11   |
| 9    | 3229-11     | Bolt, Carriage 1/4-20 x 5/8 .....        | 3    |
| 10   | 1-803075    | Screw, CRTH #10-24 x 3/4 (44 & 48) ..... | 3    |
|      | 1-803078    | Screw, CRTH #10-24 x 3/4 (52) .....      | 5    |
| 11   | 3290-148    | Nut, Whizlock #10-24 (44 & 48).....      | 3    |
|      | 3290-14     | Nut, Whizlock #10-24 (52).....           | 5    |
| 12   | 1-803076    | Screw, CRTH 1/4-20 x 3/4 .....           | 2    |
| 13   | 1-653596-03 | Plate, Blower Backing .....              | 1    |

| Item | Part No.    | Description   | Qty. |
|------|-------------|---|------|
| 14   | 1-653443-03 | Plate, Filler (52) .....  | 1    |
| 15   | 3256-14     | Washer, #10 Std .....   | 4    |
| 16   | 1-653429    | Asm, Latch.....   | 2    |
| 17   | 103-0401    | Asm, Blower (44 & 48) (Includes All<br>Items From Pg 3 & Items 1-16 & Decals) ... | 1    |
|      | 103-0400    | Asm, Blower (52) (Includes All Items<br>From Pg 3 & Items 1-16 & Decals) .....    | 1    |
| 18   | 3290-500    | Screw, PPH #10-24 x 5/8.....  | 2    |
| 19   | 3296-2      | Nut, Nyloc #10-24 .....   | 3    |
| 20   | 3256-14     | Washer, #10 Std .....   | 5    |
| 21   | 103-4175    | Tube, Lower.....  | 1    |
| 22   | 1-653406    | Tube, Upper (44 & 48) .....   | 1    |
|      | 1-653540    | Tube, Upper (52) .....  | 1    |
| 23   | 32105-13    | Screw, Slotted HH #10-24 x 3/4 .....  | 3    |
| 24   | 3229-1      | Bolt, Carriage 1/4-20 x 3/4 .....   | 2    |

Exmark red touch up spray paint - P/N 1-850337.

Kit 103-0583 is available to add or repair the welded-on accessory mounting tube on all 44"-72" decks.

BLOWER ASSEMBLY (cont.)



## HOOD and BAG ASSEMBLY

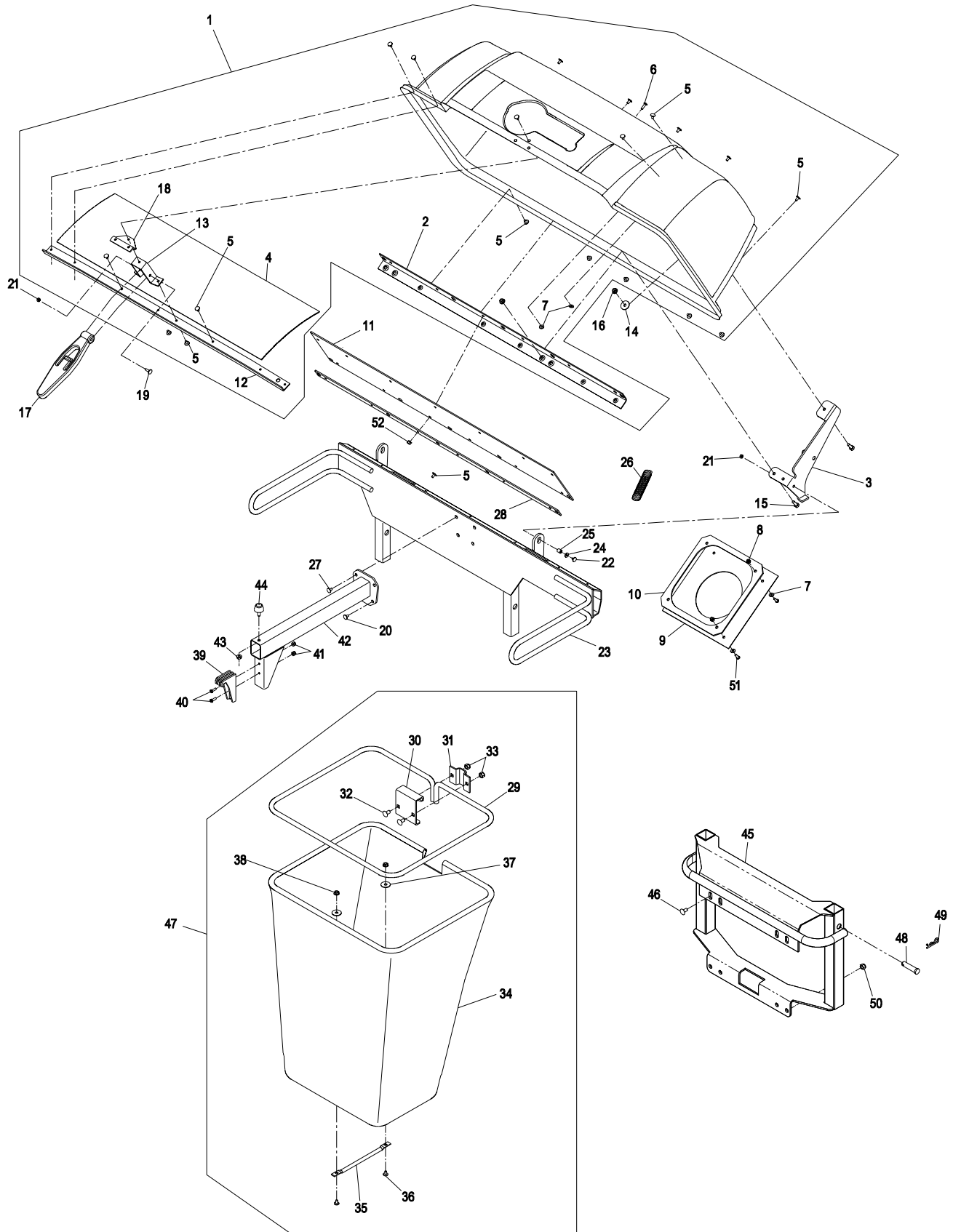
| Item | Part No.    | Description                          | Qty. |
|------|-------------|--------------------------------------|------|
| 1◆   | 1-654597    | Asm, Hood.....                       | 1    |
| 2    | 1-653397-03 | Stiffener, Bagger Top.....           | 1    |
| 3    | 1-652395-03 | Wld, Hinge.....                      | 1    |
| 4    | 114967      | Screen.....                          | 1    |
| 5    | 114439      | Rivet, Pop 3/16 x 1/2.....           | 38   |
| 6    | 1-803075    | Screw, Truss HD #10-24 x 3/4.....    | 6    |
| 7    | 3256-61     | Washer, 216 x .750 x .049.....       | 14   |
| 8    | 3296-2      | Nut, Nyloc #10-24.....               | 4    |
| 9    | 1-653561    | Seal, Chute.....                     | 1    |
| 10   | 1-653598-03 | Clamp, Seal.....                     | 1    |
| 11   | 1-653425    | Seal.....                            | 1    |
| 12   | 1-653400-03 | Support, Screen.....                 | 1    |
| 13   | 1-653519    | Mount, Latch.....                    | 1    |
| 14   | 1-653036    | Washer, .344 x 1.75 x .062 Pltd..... | 2    |
| 15   | 321-4       | Screw, HH 1/4-20 x 3/4.....          | 6    |
| 16   | 32128-33    | Nut, Whizlock 1/4-20.....            | 6    |
| 17   | 1-653403    | Latch.....                           | 1    |
| 18   | 1-653535    | Reinforcement, Latch.....            | 1    |
| 19   | 321-11      | Screw, HH 1/4-20 x 2.....            | 1    |
| 20   | 322-3       | Screw, HH 5/16-18 x 3/4.....         | 2    |
| 21   | 3296-42     | Nut, Nyloc 1/4-20.....               | 3    |
| 22   | 321-6       | Screw, HH 1/4-20 x 1.....            | 2    |
| 23   | 103-4738-03 | Wld, Bagger Upright.....             | 1    |
| 24   | 3256-2      | Washer, 1/4 Std.....                 | 2    |
| 25   | 1-633545    | Spacer.....                          | 2    |
| 26   | 1-653544    | Spring.....                          | 2    |
| 27   | 3274-55     | Screw, HSBH 5/16-18 x 3/4.....       | 2    |

| Item | Part No.    | Description                          | Qty. |
|------|-------------|--------------------------------------|------|
| 28   | 1-653528-03 | Plate, Backing.....                  | 1    |
| 29   | 1-653529-03 | Frame, Bag.....                      | 1    |
| 30   | 114973-03   | Hanger, Bag.....                     | 1    |
| 31   | 114974-03   | Clamp.....                           | 1    |
| 32   | 3230-1      | Bolt, Carriage 5/16-18 x 3/4.....    | 2    |
| 33   | 3296-29     | Nut, Nyloc 5/16-18.....              | 2    |
| 34   | 1-654389    | Bag, Cloth.....                      | 1    |
| 35   | 1-653566    | Handle, Bag.....                     | 1    |
| 36   | 3229-1      | Bolt, Carriage 1/4-20 x 3/4.....     | 2    |
| 37   | 1-653036    | Washer, .344 x 1.75 x .062 Pltd..... | 2    |
| 38   | 3296-42     | Nut, Nyloc 1/4-20.....               | 2    |
| 39   | 1-653404    | Catch.....                           | 1    |
| 40   | 3290-500    | Screw, PPH #10-24 x 5/8.....         | 2    |
| 41   | 3290-148    | Nut, Whizlock #10-24.....            | 2    |
| 42   | 103-5124-03 | Wld, Bag Support.....                | 1    |
| 43   | 32128-33    | Nut, Whizlock 1/4-20.....            | 1    |
| 44   | 1-523420    | Bumper.....                          | 1    |
| 45   | 1-652308-03 | Wld, Bagger Mount.....               | 1    |
| 46   | 322-5       | Screw, HH 5/16-18 x 1 (44 & 48)..... | 8    |
|      | 322-9       | Screw, HH 5/16-18 x 1.75 (52).....   | 8    |
| 47   | 1-654390    | Asm, Bag.....                        | 1    |
| 48   | 1-808289    | Clevis Pin.....                      | 2    |
| 49   | 1-806005    | Hairpin, Cotter.....                 | 2    |
| 50   | 32128-20    | Nut, Whizlock 5/16-18 (52).....      | 4    |
| 51   | 3250-27     | Screw, PPH #10-24 x 7/8.....         | 4    |
| 52   | 32153-1     | Nut, Side Lock #10-24.....           | 6    |

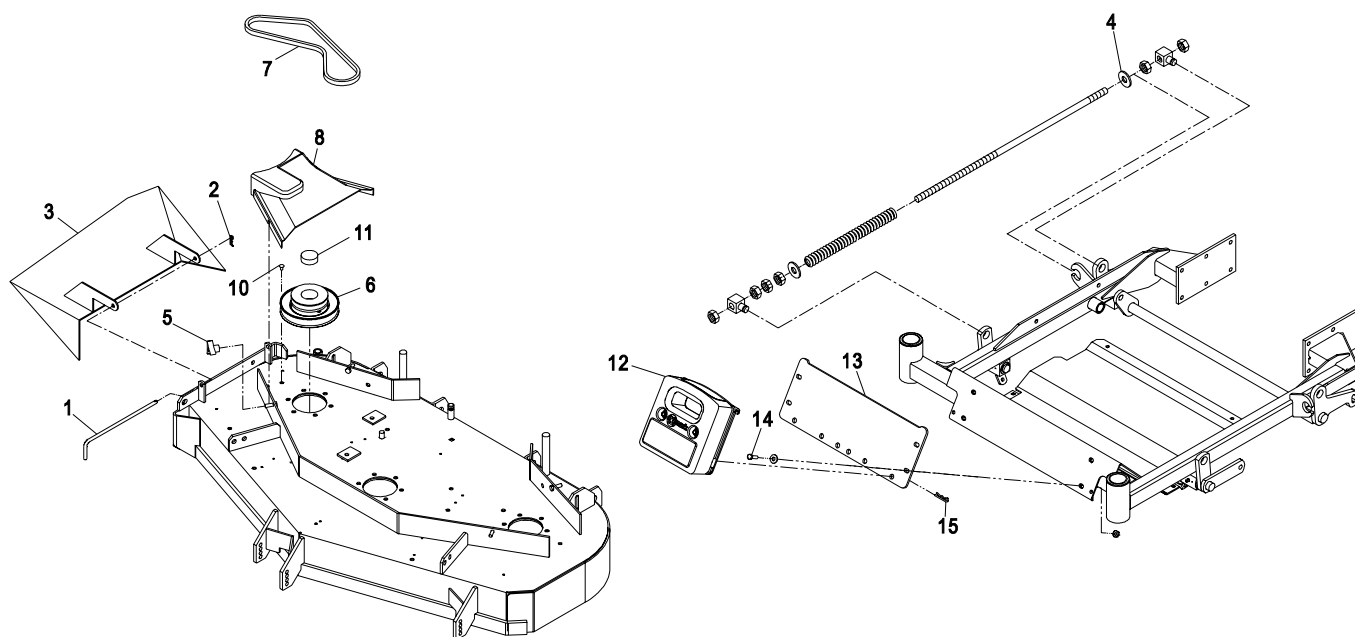
◆ Includes items 2,4,7,12,13,18 riveted together and Decal.



### HOOD and BAG ASSEMBLY



## DECK COMPONENTS AND FRONT WEIGHTS



### Deck Components:

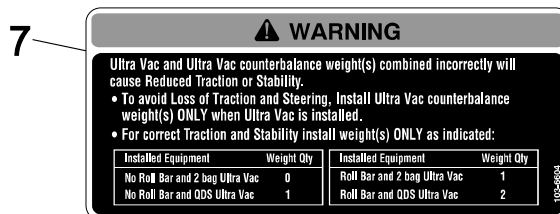
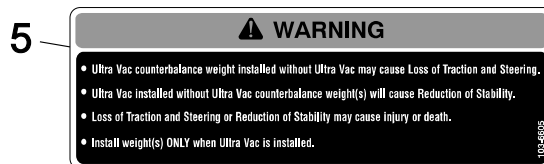
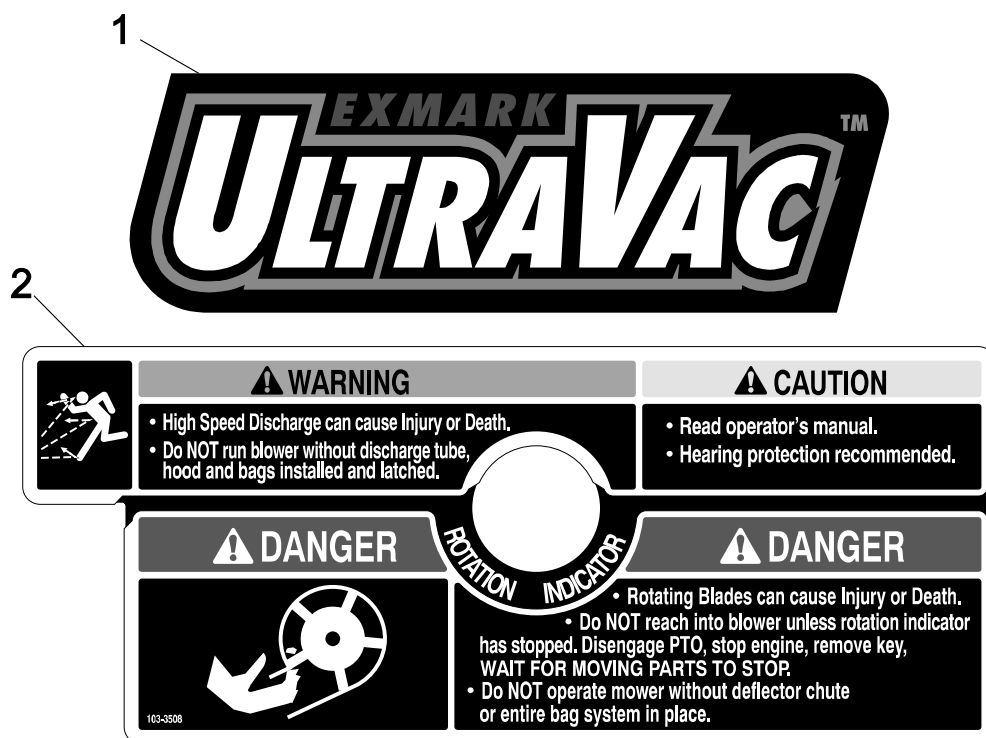
| Ref. No. | Part No.    | Description             | Quantity Included in Each Kit |                |                |          |
|----------|-------------|-------------------------|-------------------------------|----------------|----------------|----------|
|          |             |                         | 44"                           | 48" (w/4" tab) | 48" (w/2" tab) | 52"      |
|          |             |                         | 103-1315                      | 103-1313       | 103-1314       | 103-1317 |
| 1        | 1-653363    | Pin, Chute Pivot        | 1                             | 1              | 1              | 1        |
| 2        | 1-806003    | Pin, Hair               | 1                             | 1              | 1              | 1        |
| 3        | 1-402106    | Wld, Chute 48" SD       |                               | 1              |                |          |
| 4        | 1-805517    | Washer, 5/8 Type B Wide |                               | 1              |                |          |
| 5        | 1-323385    | Knob, Belt Shield       | 2                             | 2              | 2              | 2        |
| 6        | 1-653439    | Sheave, Blower Drive    |                               |                |                | 1        |
|          | 1-653362    | Sheave, Blower Drive    |                               | 1              | 1              |          |
|          | 1-653309    | Sheave, Blower Drive    | 1                             |                |                |          |
| 7        | 1-653438    | Belt, Blower            |                               |                |                | 1        |
|          | 1-653333    | Belt, Blower            |                               | 1              | 1              |          |
|          | 1-653332    | Belt, Blower            | 1                             |                |                |          |
| 8        | 103-1316    | Cover, Belt             | 1                             | 1              | 1              |          |
|          | 103-1318    | Cover, Belt             |                               |                |                | 1        |
| 9        | 1-653532-03 | Spacer, Counterweight   |                               |                |                | 1        |
| 10       | 322-2       | Screw, HH 5/16-18 x 5/8 | 1                             | 1              | 1              | 1        |
| 11       | 103-1279    | Plug                    | 1                             | 1              | 1              | 1        |

**Front Weight Kit 103-5629:** Includes items 12, 13, 14 and 15. Kit is used only when an Ultra Vac is installed on any Lazer Z HP with a 2 post ROPS.

|    |             |                           |   |
|----|-------------|---------------------------|---|
| 12 | 103-6363    | Asm, Weight W/Decals      | 1 |
| 13 | 103-6368-01 | Plate, Weight Mounting    | 1 |
| 14 | 322-5       | Screw, HH 5/16-18 x 1     | 4 |
| *  | 322-7       | Screw, HH 5/16-18 x 1 1/2 | 4 |
| 15 | 995124      | Hairpin, Cotter           | 2 |

\* 52" units with standard weight plate bolted to the front of the floor pan only.

DECALS



| Item | Part No. | Description                | Qty. |
|------|----------|----------------------------|------|
| 1    | 1-653557 | Decal, Ultra Vac .....     | 1    |
| 2    | 103-3508 | Decal, Warning .....       | 1    |
| 3    | 1-653546 | Decal, Exmark .....        | 1    |
| 4    | 98-5954  | Decal, Missing Cover ..... | 1    |

| Item | Part No. | Description                | Qty. |
|------|----------|----------------------------|------|
| 5    | 103-6605 | Decal, Front Weight .....  | 2    |
| 6    | 1-653558 | Decal, Hot Sheave .....    | 1    |
| 7    | 103-6604 | Decal, Weight Blower ..... | 1    |

## **SEE EXMARK'S COMPLETE LINE OF ACCESSORIES**

### **RIDING ACCESSORIES**

CUSTOM RIDE SEAT SUSPENSION SYSTEM  
DECK LIFT ASSIST KIT  
HITCH KIT  
LIGHT KIT  
MICRO-MULCH SYSTEM  
ROLL OVER PROTECTION SYSTEM (ROPS)  
SNOW BLADE  
SUN SHADE  
TRASH CONTAINER  
TURF STRIPER  
ULTRA VAC COLLECTION SYSTEM  
ULTRA VAC QUICK DISPOSAL SYSTEM

### **WALK BEHIND ACCESSORIES**

GRASS CATCHER  
MICRO-MULCH SYSTEM  
STEERABLE SULKY  
SULKY HITCH KIT  
TURF STRIPER

Check us out on the Web:  
**[www.exmark.com](http://www.exmark.com)**

© 1997-2004 EXMARK MFG. CO. INC.  
INDUSTRIAL PARK BOX 808  
BEATRICE, NE 68310

PART NO. 103-8002  
(402) 223-6300  
FAX (402) 223-5489

ALL RIGHTS RESERVED

PRINTED IN U.S.A.

