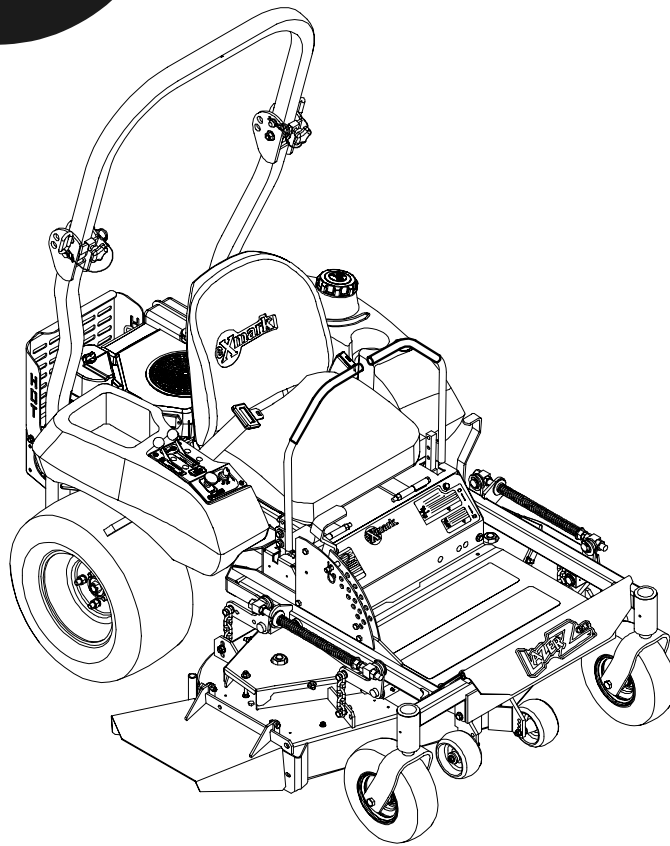


For Serial Nos.
510,000 & Higher



PARTS MANUAL

LAZER Z[®] CT

CONGRATULATIONS on the purchase of your new Exmark mower. This product has been carefully designed and manufactured to give you a maximum amount of dependability and years of trouble-free operation. If additional information is needed, or should you require trained mechanic service, contact your authorized Exmark equipment dealer or distributor. If you need to order replacement parts from your dealer, always give the model number and serial number of your mower as well as the part number, description and quantity of the part needed.

The Serial No. plate is located on the right side of the console. For ease of ordering and reference, we suggest that you record the information requested in the following identification table.

| |
|--|
| Place Model No. and Serial No. Label Here (Included in Literature Pack) or Fill in Below |
| Model No. _____ |
| Serial No. _____ |

Engine Model No. and Spec. No. (Code) _____

Engine Serial No. (E/No) _____

Date Purchased _____

Part No. 103-7222 Rev. A

EXMARK PARTS PLUS® PROGRAM

EFFECTIVE DATE: September 1, 1995

Program

If your Exmark dealer does not have the Exmark part in stock, Exmark will get the parts to the dealer the next business day or the part will be FREE* Guaranteed!!

How the Program Works

1. If dealer does not have part in stock for a "down" unit at the time of request by customer, the dealer contacts his distributor by 1:00 p.m., local time, and requests Exmark Parts Plus® shipment of six (6) line items or less.
2. Distributor ships part(s) to dealer or customer, as requested by dealer, same day, overnight UPS. Distributor bills dealer for part and freight charges where applicable.
3. If distributor does not have the part(s) in stock to satisfy Exmark Parts Plus® order, he contacts Exmark by 3:00 p.m., central time, with an Exmark Parts Plus® order of six (6) line items or less.
4. If order is received by 3:00 p.m. central time, Exmark ships part(s) direct to dealer or customer, as requested by distributor, same day, overnight UPS. Exmark bills the distributor for parts and shipping charges, where applicable.
5. The customer pays for the part and freight if it is shipped under the Exmark Parts Plus® and if it arrives in accordance to the program.
6. Who pays for the part and freight if it fails to arrive overnight in accordance to the program?
 - A. Under any circumstance the customer does not pay.
 - B. If the part does not arrive overnight due to:
 1. The dealer not submitting the Exmark Parts Plus® order to his Exmark distributor by 1:00 p.m., the dealer pays for the part and freight.
 2. The Distributor being unable to ship the part the same day or not submitting the Exmark Parts Plus® order to Exmark by 3:00 p.m., central time, the Distributor pays for the part and freight.
 3. Exmark being unable to ship the part and the Exmark parts order is received by 3:00 p.m., central time, Exmark pays for the part and freight.
 4. If the part does not arrive overnight due to the shipper (UPS), the shipper pays for the freight and Exmark pays for the part.



The following restrictions apply -- The Exmark Parts Plus® Program is available only through participating Exmark Dealers and applies only to orders submitted on this program Monday through Thursday. Parts Plus service is available only in the contiguous 48 United States. UPS has initiated a Saturday delivery program to many areas of the continental United States and can be requested for an overnight shipment on Friday to be delivered Saturday. The next day air charge, plus the Saturday delivery fee will be the responsibility of the purchaser. Exmark Mfg. will assume no responsibility for Saturday delivery shipments. To qualify, all Exmark Parts Plus® orders must be received by Exmark by 3:00 p.m., central time. Orders must be six (6) line items or less. Exclusions from the Exmark Parts Plus® Program are: Any wholegood or accessory in its entirety, engines and engine replacement parts, 5-speed Peerless transmissions and 5-speed transaxles, hydraulic or hydrostatic wheel motors, cutter decks and engine decks or any item exceeding United Parcel Service size and weight restrictions.

Due to UPS restrictions, aerosol spray paint is considered a hazardous material and cannot be shipped via UPS next day or Second Day Air.

Exmark Manufacturing stocks a limited supply of parts for transaxles, pumps and wheel motors. These parts can be ordered for Next Day Air shipment but will not be guaranteed per the Parts Plus Program.



**READ OPERATOR'S MANUAL BEFORE
OPERATING OR SERVICING EXMARK EQUIPMENT**

TABLE OF CONTENTS

| <u>Description</u> | <u>Page</u> |
|--|--------------------|
| 44", 48" and 52" Deck Group | 3-4 |
| Decal Group | 15-16 |
| Electrical Diagrams | 18 |
| Briggs & Stratton Electrical Group | 17 |
| Electrical Logic Schematics | 19 |
| Engine Group | 12 |
| Front Frame Group | 5-6 |
| Fuel Group | 11 |
| Hydraulic Group | 13-14 |
| Main Frame Group | 7-8 |
| Motion Control Group | 10 |
| Park Brake Group | 9 |

44", 48" and 52" DECK GROUP

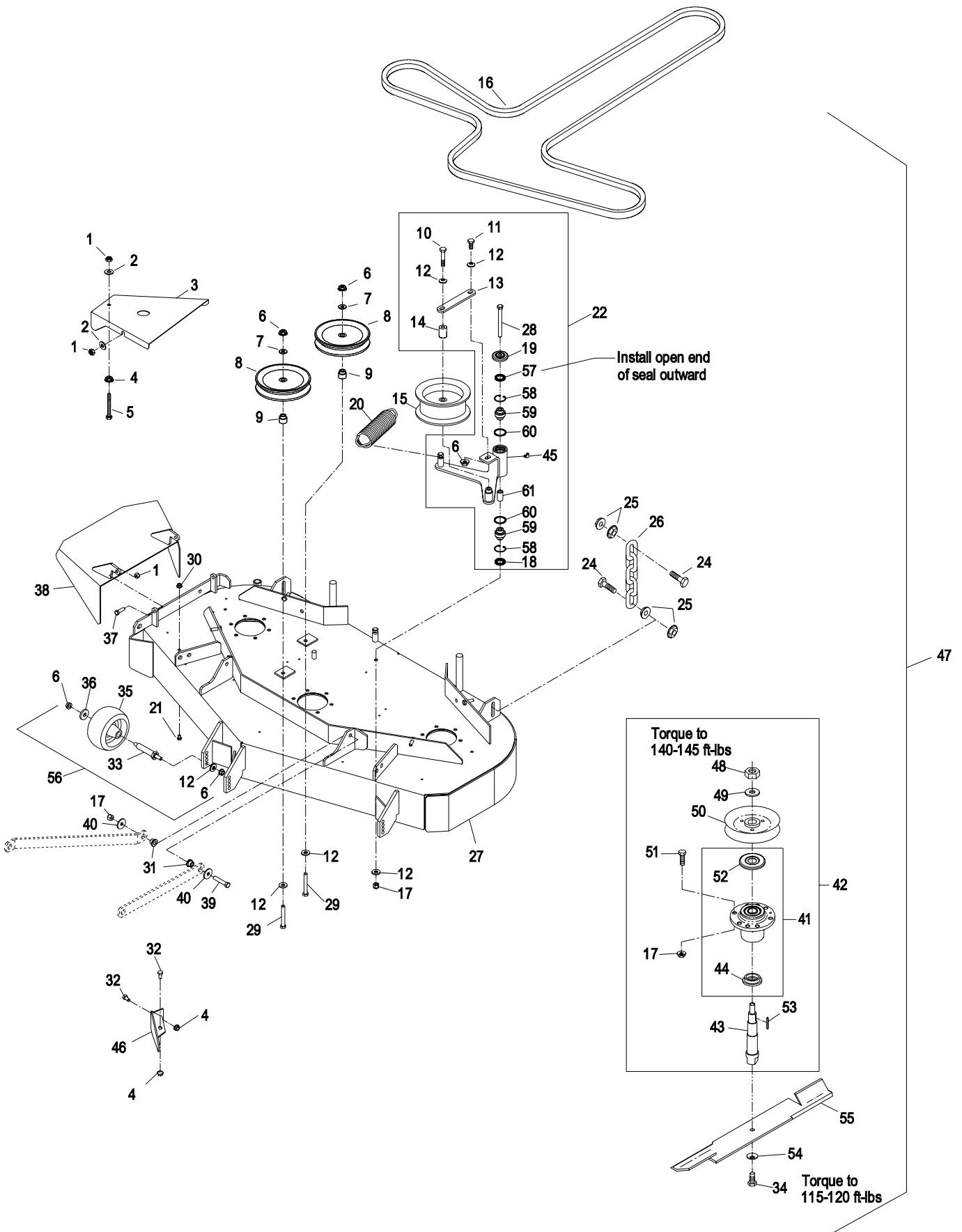
| Item | Part No. | Description | Qty. |
|------|-------------|---|------|
| 1 | 3296-29 | Nut, Nyloc 5/16-18 | 8 |
| 2 | 3256-3 | Washer, 5/16 Std | 6 |
| 3 | 103-2970-01 | Shield, Belt..... | 2 |
| 4 | 32128-20 | Nut, Whizlock 5/16-18 | 4 |
| 5 | 1-800017 | Bolt, HH 5/16-18 x 3 1/4 Tap..... | 2 |
| 6 | 3290-357 | Nut, Whizlock 3/8-16 (44" & 48") | 9 |
| | 3290-357 | Nut, Whizlock 3/8-16 (52")..... | 13 |
| 7 | 3256-24 | Washer, 3/8 SAE | 2 |
| 8 | 1-613098 | Pulley, Idler | 2 |
| 9 | 1-413113 | Bushing, Idler..... | 2 |
| 10 | 323-11 | Screw, HH 3/8-16 x 2 1/4 | 1 |
| 11 | 323-6 | Screw, HH 3/8-16 x 1 | 1 |
| 12 | 98-5975 | Washer, Spring Disk 3/8 (44" & 48")..... | 8 |
| | 98-5975 | Washer, Spring Disk 3/8 (52") | 10 |
| 13 | 103-5668 | Plate, Belt Guide | 1 |
| 14 | 1-653190 | Spacer | 1 |
| 15 | 1-413099 | Pulley, Idler | 1 |
| 16 | 1-413093 | Belt, Deck Drive (44")..... | 1 |
| | 1-413308 | Belt, Deck Drive (48")..... | 1 |
| | 1-653368 | Belt, Deck Drive (52")..... | 1 |
| 17 | 3296-39 | Nut, Nyloc 3/8-16 | 21 |
| 18 | 103-3505 | Seal, Double, Lip..... | 1 |
| 19 | 103-2916 | Guard, Top..... | 1 |
| 20 | 103-3330 | Spring, Extension..... | 1 |
| 21 | 321-1 | Screw, HH 1/4-20 x 3/8 | 1 |
| 22* | 103-5698 | Kit, Idler Arm W/Bearings | 1 |
| 23● | 1-600384 | Bushing, Idler Pivot | 1 |
| 24 | 1-800811 | Screw, HH 7/16-14 x 1 1/2 | 8 |
| 25 | 32128-37 | Nut, Whizlock 7/16-14 | 16 |
| 26 | 1-633447 | Chain, Deck Lift..... | 4 |
| 27 | 103-4667 | Asm, Deck (103-4148-01) W/Decals (44") | 1 |
| | 103-4382 | Asm, Deck (103-3846-01) W/Decals (48") | 1 |
| | 103-6490 | Asm, Deck (103-5250-01) W/Decals (52") | 1 |
| 28 | 323-39 | Screw, HH 3/8-16 x 5 Gr 5 | 1 |
| 29 | 323-13 | Screw, HH 3/8-16 x 2 3/4 | 2 |
| 30 | 32128-33 | Nut, Whizlock 1/4-20..... | 1 |
| 31 | 103-3900 | Spacer, Strut..... | 4 |
| 32 | 322-2 | Screw, HH 5/16-18 x 5/8 | 2 |
| 33 | 99-2842 | Spacer (44" & 48")..... | 3 |
| | 99-2842 | Spacer (52")..... | 5 |
| 34 | 103-1026 | Screw, HH 5/8-11 x 1 Gr 8 | 3 |
| 35 | 1-603299 | Roller, Anti-Scalp (44" & 48")..... | 3 |
| | 1-603299 | Roller, Anti-Scalp (52")..... | 5 |
| 36 | 1-373034 | Washer (44" & 48")..... | 3 |
| | 1-373034 | Washer (52")..... | 5 |

| Item | Part No. | Description | Qty. |
|------|-------------|--|------|
| 37 | 322-5 | Screw, HH 5/16-18 x 1 | 2 |
| 38 | 1-402106-01 | Wld, Chute Discharge (44" & 48") | 1 |
| | 1-652375-01 | Wld, Chute Discharge (52")..... | 1 |
| 39 | 323-10 | Screw, HH 3/8-16 x 2..... | 2 |
| 40 | 63-8410 | Washer..... | 4 |
| 41 | 103-8280 | Asm, Cutter Housing..... | 3 |
| 42◆ | 103-8281 | Asm, Cutter Housing Complete (44") | 3 |
| | 103-8282 | Asm, Cutter Housing Complete (48") | 3 |
| | 103-8283 | Asm, Cutter Housing Complete (52") | 3 |
| 43+ | 103-2788 | Spindle | 3 |
| 44 | 103-2535 | Spacer, Guard Bottom | 3 |
| 45 | 302-40 | Zerk, 90° 1/4-28..... | 1 |
| 46 | 1-522480-01 | Baffle, Discharge (44" & 48")..... | 1 |
| | 1-602913-01 | Baffle, Discharge (52") | 1 |
| 47▲ | 103-4668 | Asm, Deck Complete (44")..... | 1 |
| | 103-4366 | Asm, Deck Complete (48")..... | 1 |
| | 103-5992 | Asm, Deck Complete (52")..... | 1 |
| 48★ | 3217-46 | Nut, Hex 3/4-16 Heavy..... | 3 |
| 49 | 103-2802 | Washer, Spring Disc 3/4 | 3 |
| 50+ | 1-653099 | Sheave, Blade Drive (44")..... | 3 |
| | 1-413424 | Sheave, Blade Drive (48")..... | 3 |
| | 1-653386 | Sheave, Blade Drive (52")..... | 3 |
| 51 | 323-7 | Screw, HH 3/8-16 x 1 1/4..... | 18 |
| 52+ | 103-1330 | Guard, Bearing Top | 3 |
| 53 | 1-807268 | Key, Machine 1/4 x 3/16 x 1..... | 3 |
| 54 | 1-513208 | Washer, Spring Disc 5/8 | 3 |
| 55 | 103-2529 | Blade, Notched (44")..... | 3 |
| | 103-2509 | Blade, Low Lift (44")..... | 3 |
| ■ | 103-2519 | Blade, Mulching (44")..... | 3 |
| | 103-1579 | Blade, Solid (44")..... | 3 |
| | 103-6335 | Blade, Extreme (44")..... | 3 |
| | 103-6583 | Blade, Notched (48")..... | 3 |
| | 103-2507 | Blade, Low Lift (48")..... | 3 |
| ■ | 103-6581 | Blade, Mulching (48")..... | 3 |
| | 103-1577 | Blade, Solid (48")..... | 3 |
| | 103-6336 | Blade, Extreme (48")..... | 3 |
| | 103-6584 | Blade, Notched (52")..... | 3 |
| | 103-6580 | Blade, Low Lift (52")..... | 3 |
| ■ | 103-6582 | Blade, Mulching (52")..... | 3 |
| | 103-1578 | Blade, Solid (52")..... | 3 |
| | 103-6337 | Blade, Extreme (52")..... | 3 |
| 56 | 103-4051 | Kit, Antiscalp roller (44" & 48") | 3 |
| | 103-4051 | Kit, Antiscalp roller (52")..... | 5 |
| 57 | 103-3506 | Seal, Single Lip..... | 1 |
| 58 | 32120-10 | Ring, Retaining | 2 |
| 59 | 103-3504 | Bearing, Spherical | 2 |
| 60 | 106-7159 | O-ring | 2 |
| 61 | 1-603401 | Spacer..... | 1 |

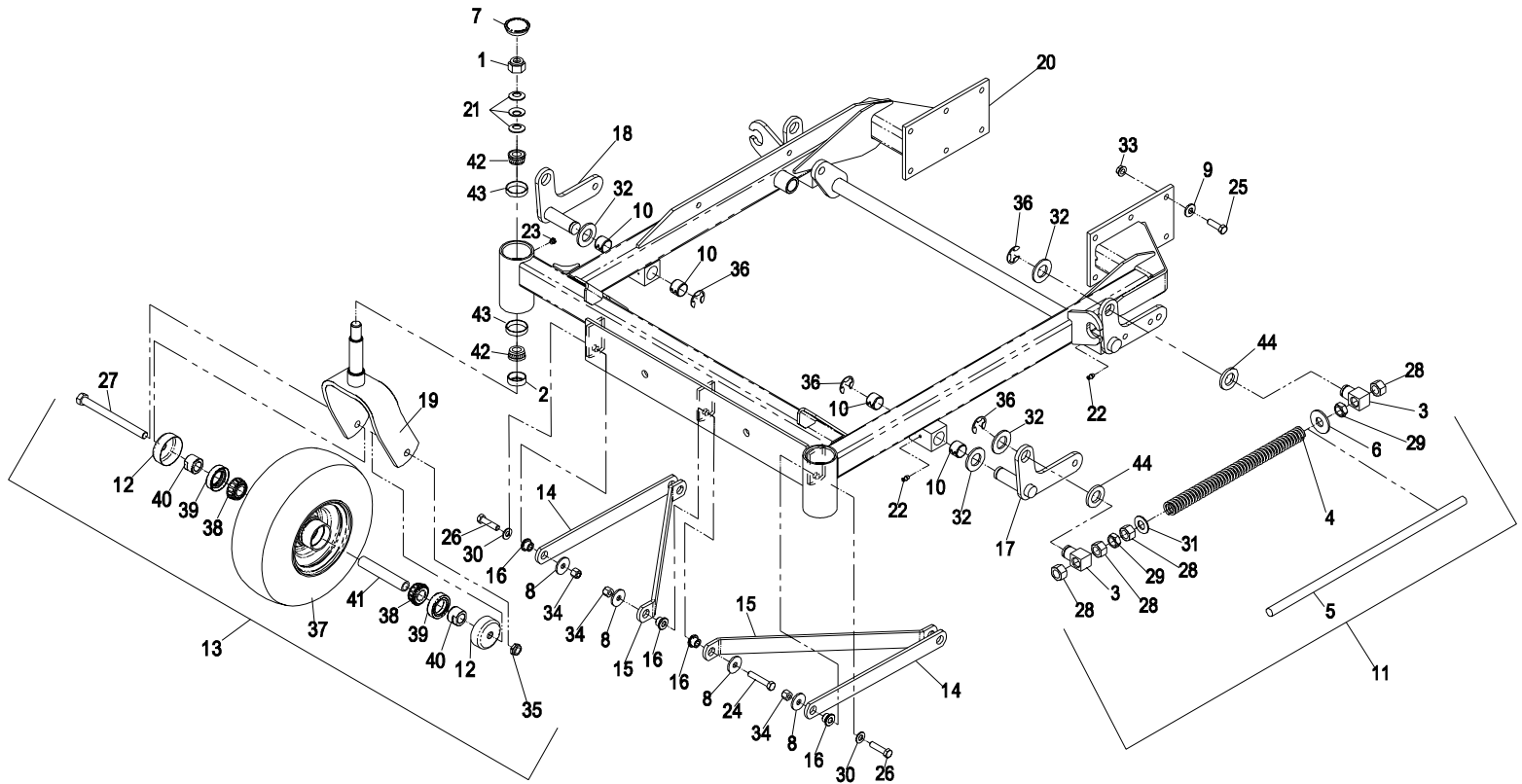
Exmark red touch up spray paint – P/N 1-850337.

- Requires installation of Micro-Mulch accessory for proper mulching. Mulch kit P/N MK443(44"), MK483(48") and MK523(52")
- + Apply Mobil HTS grease (P/N 103-5217 1.5 oz packet) (or a food-grade anti-sieze) between the spindles & bearings and spindles & sheaves and under top bearing guard. DO NOT use a copper or nickel based anti-sieze.
- ◆ Complete cutter housings also include items #54 & #34.
- ▲ Includes all item shown plus decals. Does not include struts.
- * Idler arm kit also includes items #12 & #17.
- ★ Use Pro-Lock, Nut Type (P/N 1-840022, .5ml tube) on nut Item #48

44", 48" and 52" DECK GROUP



FRONT FRAME GROUP



| Item | Part No. | Description | Qty. |
|------|-------------|------------------------------------|------|
| 1 | 3296-51 | Nut, Nyloc 3/4-10 | 2 |
| 2 | 1-543511 | Seal, Grease | 2 |
| 3 | 1-633441 | Swivel, Deck Mount | 4 |
| 4 | 1-653009 | Spring, Deck Support | 2 |
| 5 | 1-653011 | Rod, Deck Lift | 2 |
| 6 | 1-805517 | Washer, 5/8 Type B Wide | 2 |
| 7 | 103-4882 | Cap, Grease | 2 |
| 8 | 63-8410 | Washer | 4 |
| 9 | 98-5975 | Washer, Spring Disk 3/8 | 12 |
| 10 | 103-1982 | Bushing, Spring | 4 |
| 11 | 103-1987 | Asm, Front Spring | 2 |
| 12 | 103-2768 | Guard, Seal | 4 |
| 13 | 103-3800 | Asm, Wheel & Brgs 11x4-5 | 2 |
| 14 | 103-3898 | Flat, Strut | 2 |
| 15 | 103-3899 | Flat, Strut Angle | 2 |
| 16 | 103-3900 | Spacer, Strut | 4 |
| 17 | 103-3902-01 | Wld, Shaft LH | 1 |
| 18 | 103-3903-01 | Wld, Shaft RH | 1 |
| 19 | 103-8618-01 | Wld, Caster Fork | 2 |
| 20* | 103-8608-01 | Asm, Front Frame (44" & 48") | 1 |
| | 103-8602-01 | Asm, Front Frame (52") | 1 |
| 21 | 1-633508 | Washer, Spring Disk | 6 |
| 22 | 302-19 | Zerk 1/4-28 Str | 4 |

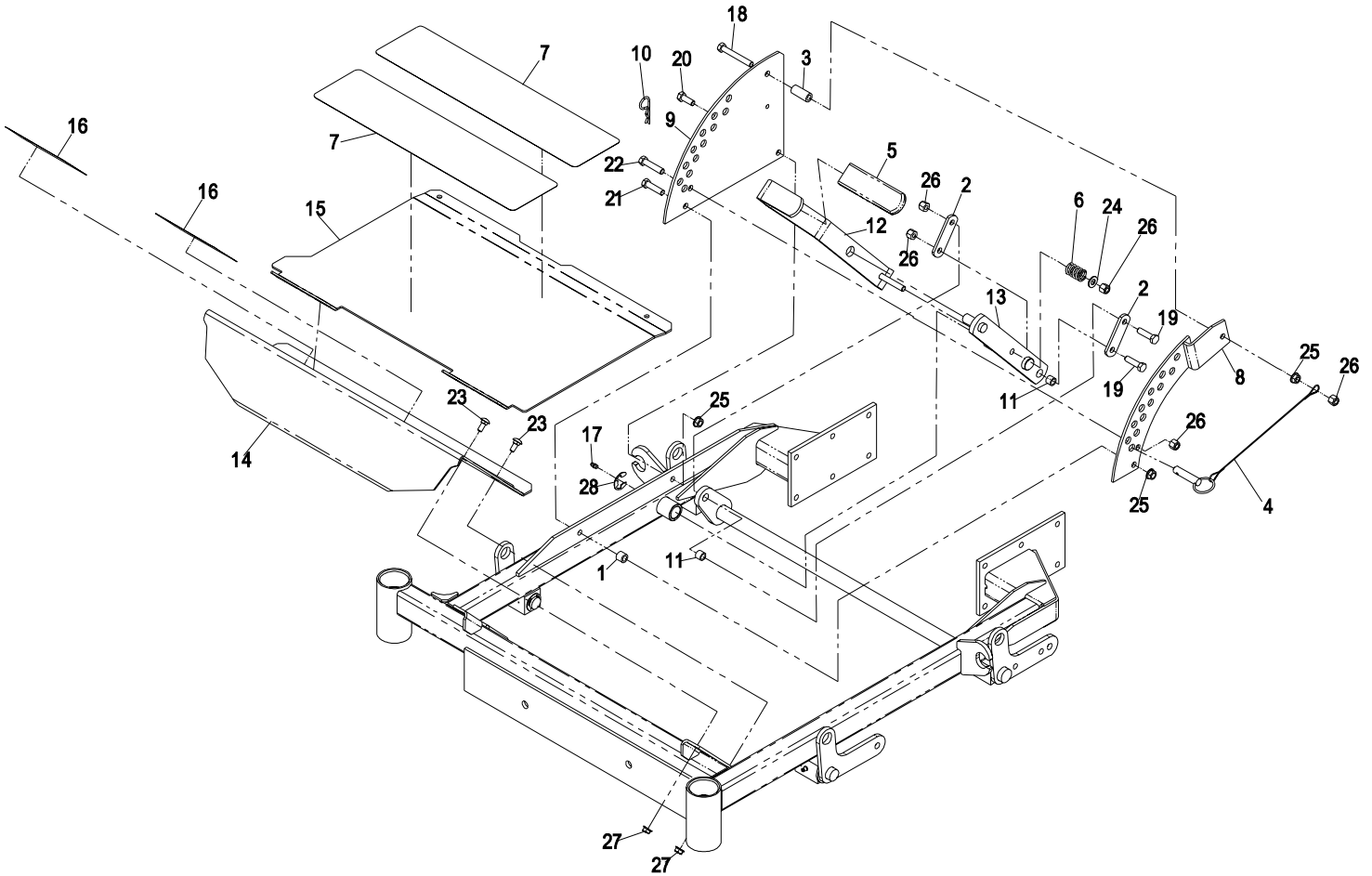
| Item | Part No. | Description | Qty. |
|------|-----------|------------------------------------|------|
| 23 | 1-811010 | Plug | 2 |
| 24 | 323-10 | Screw, HH 3/8-16 x 2 | 1 |
| 25 | 323-7 | Screw, HH 3/8-16 x 1 1/4 | 12 |
| 26 | 323-8 | Screw, HH 3/8-16 x 1 1/2 | 2 |
| 27 | 325-20 | Screw, HH 1/2-13 x 6 | 2 |
| 28 | 3217-11 | Nut, Hex 5/8-11 | 8 |
| 29 | 3218-6 | Nut, Jam 5/8-11 | 4 |
| 30 | 3256-24 | Washer, 3/8 SAE | 2 |
| 31 | 3256-27 | Washer, 5/8 SAE | 2 |
| 32 | 3256-29 | Washer-Flat, 15/16 x 1 3/4 | 6 |
| 33 | 3290-357 | Nut, Whizlock 3/8-16 | 12 |
| 34 | 3296-39 | Nut, Nyloc 3/8-16 | 3 |
| 35 | 3296-45 | Nut, Nyloc 1/2-13 | 2 |
| 36 | 32151-103 | E-ring | 6 |
| 37 | 103-3151 | Tire, 11" Pneumatic | 2 |
| 38 | 1-633585 | Bearing Cone, Tapered Roller | 4 |
| 39 | 103-0063 | Seal, Double Lip | 4 |
| 40◆ | 103-3051 | Spacer, Nut | 4 |
| 41 | 103-3157 | Axle, Caster | 2 |
| 42 | 1-543509 | Bearing Cone, Tapered Roller | 4 |
| 43 | 1-543508 | Bearing Cup, Tapered Roller | 4 |
| 44 | 1-513338 | Washer | 4 |

Exmark red touch up spray paint – P/N 1-850337.

* Includes frame weldment, plus items #10, #17, #18, #22, #23, #32(2) & #36(2). Does not include plug item #23.

◆ Use Pro-Lock, Nut Type (P/N 1-840022, .5ml tube) on spacer nut Item #40.

FRONT FRAME GROUP (cont.)



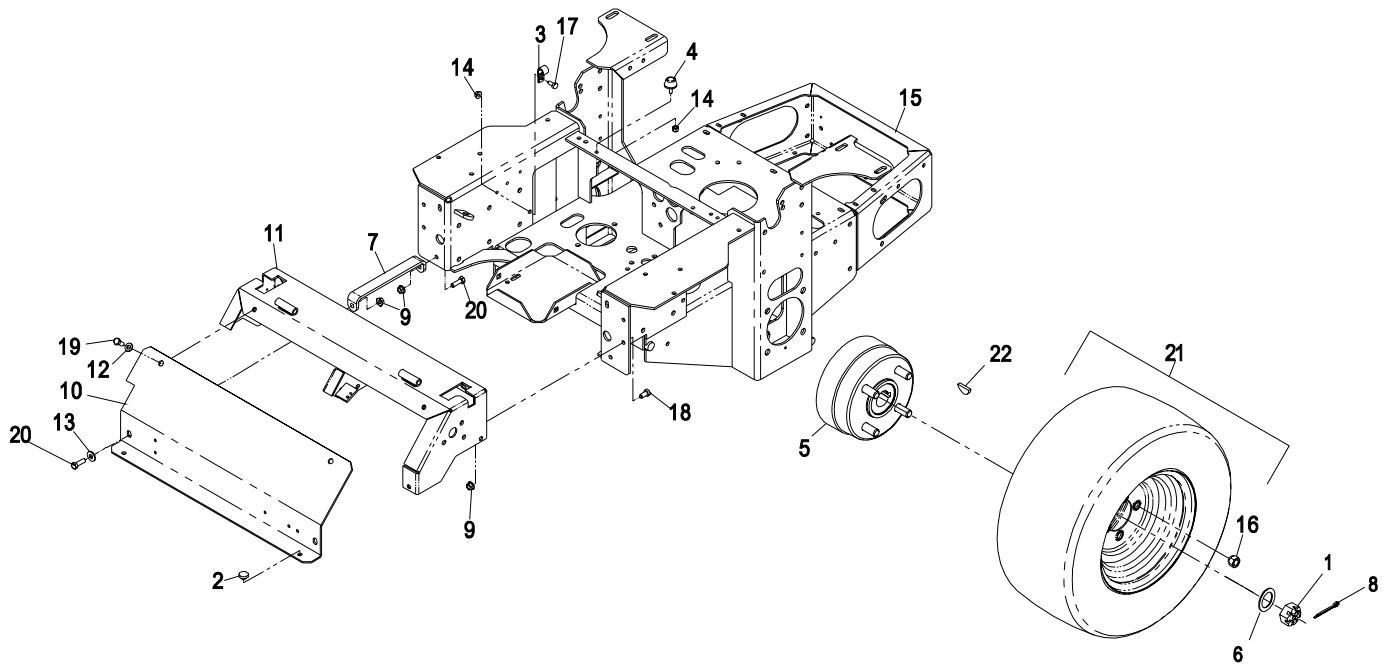
| Item | Part No. | Description | Qty. |
|------|--------------|--|------|
| 1 | 1-413088 | Spacer | 1 |
| 2 | 1-633068 | Arm, Deck Lift | 2 |
| 3 | 1-633082 | Bushing, Lift Lever | 1 |
| 4♦ | 1-633097 | Pin, Hitch W/Laynard and Hairpin | 1 |
| 5 | 1-633295 | Grip, Lift Lever | 1 |
| 6 | 1-633325 | Spring, Compression..... | 1 |
| 7 | 1-633553 | Pad, Anti Skid | 2 |
| 8 | 1-652235 -01 | Wld, Deck Lift Plate..... | 1 |
| 9 | 1-653230 -01 | Plate, Deck Lift..... | 1 |
| 10 | 1-806005 | Hairpin Cotter..... | 1 |
| 11 | 103-1918 | Bushing..... | 2 |
| 12 | 103-2081 | Asm, Lift Lever W/Grip | 1 |
| 13 | 103-3718 -03 | Wld, Deck Lift Arm | 1 |
| 14 | 103-4315 | Asm, Floorpan W/Decals & Pads | 1 |

| Item | Part No. | Description | Qty. |
|------|-----------|-------------------------------------|------|
| 15 | 103-4316 | Asm, Floorpan W/Decals & Pads | 1 |
| 16 | 106-6572 | Pad, Anti Skid | 2 |
| 17 | 302-19 | Zerk 1/4-28 Str..... | 1 |
| 18 | 323-13 | Screw, HH 3/8-16 x 2 3/4..... | 1 |
| 19 | 323-29 | Screw, HH 3/8-16 x 1 3/8..... | 2 |
| 20 | 323-6 | Screw, HH 3/8-16 x 1..... | 1 |
| 21 | 323-8 | Screw, HH 3/8-16 x 1 1/2..... | 1 |
| 22 | 323-9 | Screw, HH 3/8-16 x 1 3/4..... | 1 |
| 23 | 3230-1 | Bolt, Carriage 5/16-18 x 3/4 | 4 |
| 24 | 3256-24 | Washer, 3/8 SAE | 1 |
| 25 | 3290-357 | Nut, Whizlock 3/8-16..... | 3 |
| 26 | 3296-39 | Nut, Nyloc 3/8-16..... | 5 |
| 27 | 32128-20 | Nut, Whizlock 5/16-18..... | 4 |
| 28 | 32151-103 | E-ring..... | 1 |

Exmark red touch up spray paint – P/N 1-850337 Includes.

♦ Includes hitch pin plus hairpin item #10.

MAINFRAME GROUP

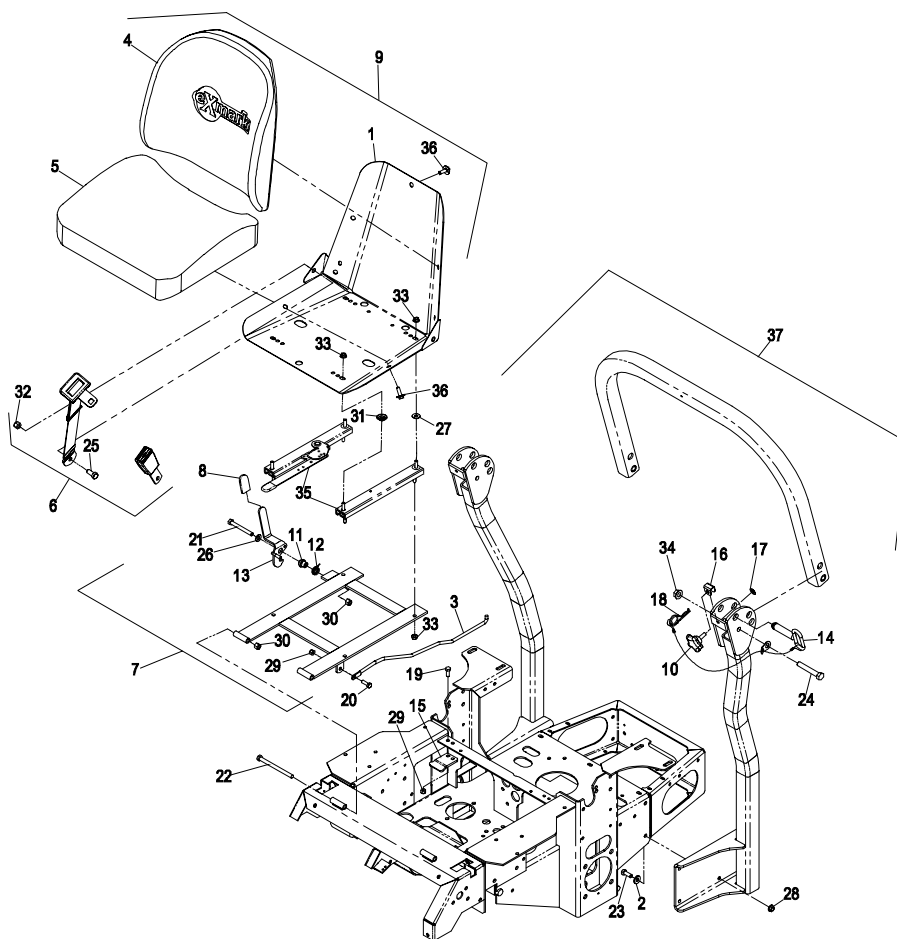


| Item | Part No. | Description | Qty. |
|------|-------------|---------------------------|------|
| 1 | 1-809036 | Nut, Slotted 1-20 | 2 |
| 2 | 1-513658 | Bumper | 2 |
| 3 | 1-513762 | Clip, Loom 1/2 | 1 |
| 4 | 1-523420 | Bumper | 2 |
| 5 | 103-0590 | Hub, W/Studs | 2 |
| | 1-633926 | Studs, Wheel 1/2-20 | 8 |
| 6 | 1-523157 | Washer, Spacer | 2 |
| 7 | 1-653089-03 | Bracket, Instrument Panel | 1 |
| 8 | 1-806800 | Pin, Cotter 9/64 x 1 1/2 | 2 |
| 9 | 32128-20 | Nut, Whizlock 5/16-18 | 8 |
| 10 | 103-4895 | Asm, Panel W/Decals | 1 |
| 11 | 103-3452 | Asm, Console W/Decals | 1 |
| 12 | 3256-23 | Washer, 5/16 SAE | 2 |

| Item | Part No. | Description | Qty. |
|------|-------------|---------------------------|------|
| 13 | 3256-3 | Washer, 5/16 Std | 2 |
| 14 | 32128-33 | Nut, Whizlock 1/4-20 | 3 |
| 15 | 103-8401-03 | Wld, Mainframe | 1 |
| 16 | 242-50 | Nut, Lug 1/2-20 | 8 |
| 17 | 321-3 | Screw, HH 1/4-20 x 5/8 | 1 |
| 18 | 322-2 | Screw, HH 5/16-18 x 5/8 | 6 |
| 19 | 322-3 | Screw, HH 5/16-18 x 3/4 | 3 |
| 20 | 322-5 | Screw, HH 5/16-18 x 1 | 2 |
| 21 | 1-543396 | Asm, Wheel & Tire | 2 |
| | 1-513042 | Wheel | 2 |
| | 1-543680 | Tire, 20 x 10.00-10 4 ply | 2 |
| 22 | 3257-42 | Key, Woodruff 5/16 x 1 | 2 |

Exmark black touch up spray paint – gloss black.

MAINFRAME GROUP (cont.)



| Item | Part No. | Description | Qty. |
|------|----------|-----------------------------------|------|
| 1 | 1-633859 | Frame, Seat | 1 |
| 2 | 98-5975 | Washer, Spring Disk 3/8..... | 8 |
| 3 | 103-1731 | Rod, Seat Retainer..... | 1 |
| 4 | 103-3520 | Seat, Back | 1 |
| 5 | 103-3521 | Seat, Bottom | 1 |
| 6 | 103-4469 | Asm, Seat Belt | 1 |
| 7 | 103-4423 | Asm, Seat Frame | 1 |
| 8 | 103-4434 | Grip, Lever | 1 |
| 9● | 103-4883 | Asm, Seat | 1 |
| 10 | 106-0887 | Knob | 2 |
| 11 | 107-0075 | Bushing, Latch | 1 |
| 12 | 107-0076 | Spring, Torsion..... | 1 |
| 13 | 107-3083 | Latch..... | 1 |
| 14◆ | 103-4553 | Asm, Rops Fold Pin | 2 |
| 15 | 103-5961 | Catch, Seat Latch | 1 |
| 16 | 107-3124 | Clip | 2 |
| 17 | 107-3154 | Nut, Push 3/8-16 | 2 |
| 18 | 107-3155 | Cotter, Hairpin Double Loop | 2 |
| 19 | 322-4 | Screw, HH 5/16-18 x 7/8 | 2 |

| Item | Part No. | Description | Qty. |
|------|----------|--|------|
| 20 | 322-5 | Screw, HH 5/16-18 x 1 | 1 |
| 21 | 323-20 | Screw, HH 3/8-16 x 3-1/4..... | 1 |
| 22 | 323-39 | Screw, HH 3/8-16 x 5..... | 2 |
| 23 | 323-6 | Screw, HH 3/8-16 x 1..... | 8 |
| 24 | 325-13 | Screw-HH 1/2-13 x 3 1/4..... | 2 |
| 25 | 3212-4 | Screw-HH 7/16-20 x 1..... | 2 |
| 26 | 3256-24 | Washer, 3/8 SAE | 1 |
| 27 | 3256-3 | Washer, 5/16 Std..... | 2 |
| 28 | 3290-357 | Nut, Whizlock 3/8-16..... | 8 |
| 29 | 3296-29 | Nut, Nyloc 5/16-18 | 3 |
| 30 | 3296-39 | Nut, Nyloc 3/8-16..... | 3 |
| 31 | 1-543401 | Spacer, Seat Track | 2 |
| 32 | 3296-7 | Nut, Nyloc 7/16-20 | 2 |
| 33 | 32128-20 | Nut, Whizlock 5/16-18..... | 8 |
| 34 | 32128-23 | Nut, Hex Flange Side Lock 1/2-13 | 2 |
| 35 | 1-643255 | Track, Seat (4" Adjustable) | 1 |
| | 103-8386 | Spring, Seat Rail..... | 1 |
| 36 | 103-8383 | Bolt, Seat Cushion | 5 |
| 37+ | FRPSL | Kit, Rops LHP | 1 |

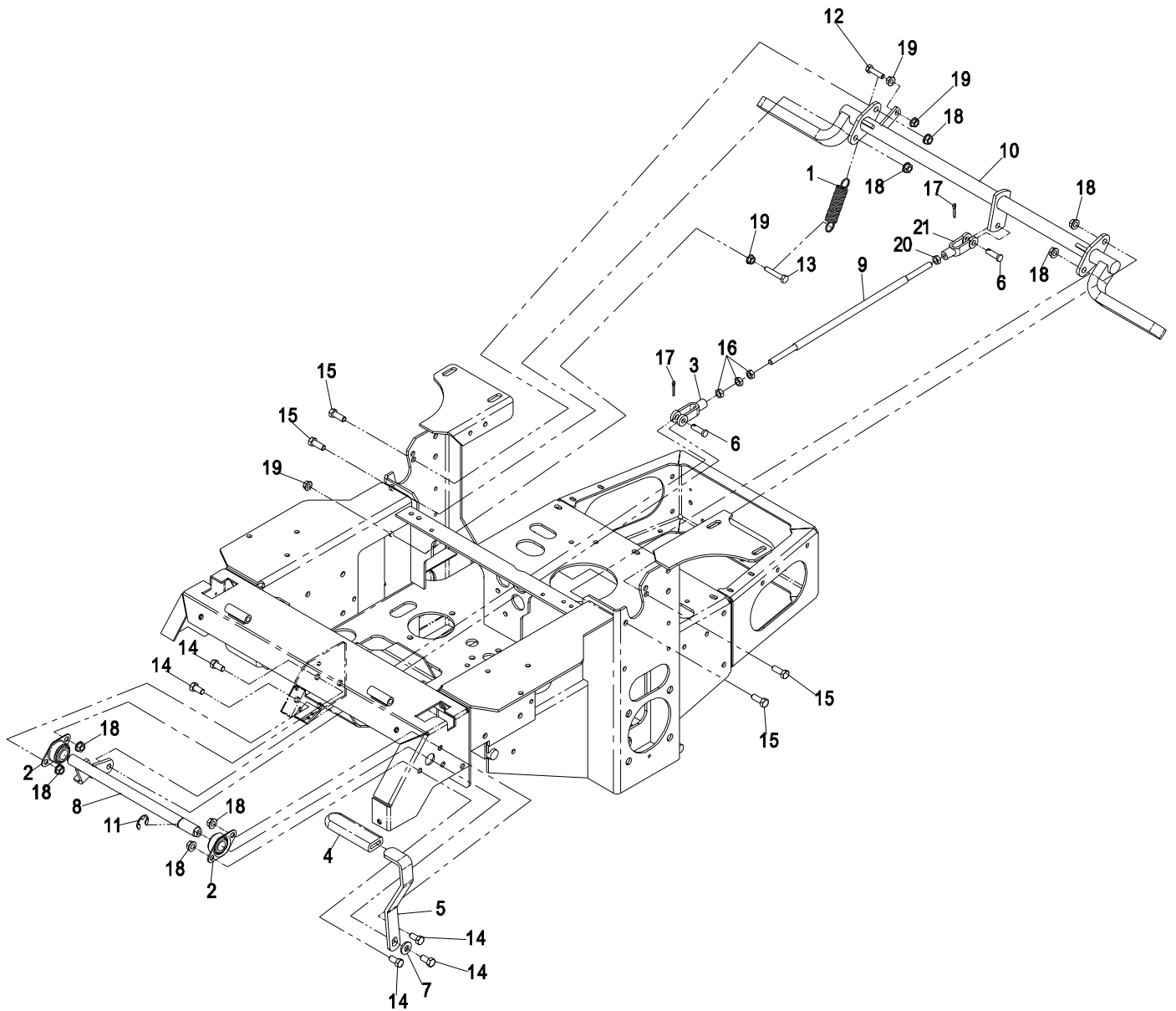
Exmark black touch up spray paint – gloss black.

◆ Includes ROPS fold pin plus hairpin item #18.

+ Rollover protection frame is serviced as a complete assembly only. Includes complete ROPS frame, mounting hardware, fold pivot and locking hardware, seat frame assembly item #7, catch item #15, and seat belt assembly item #6.

● Includes tracks and seat back decal. Does not include seat belt.

PARK BRAKE GROUP

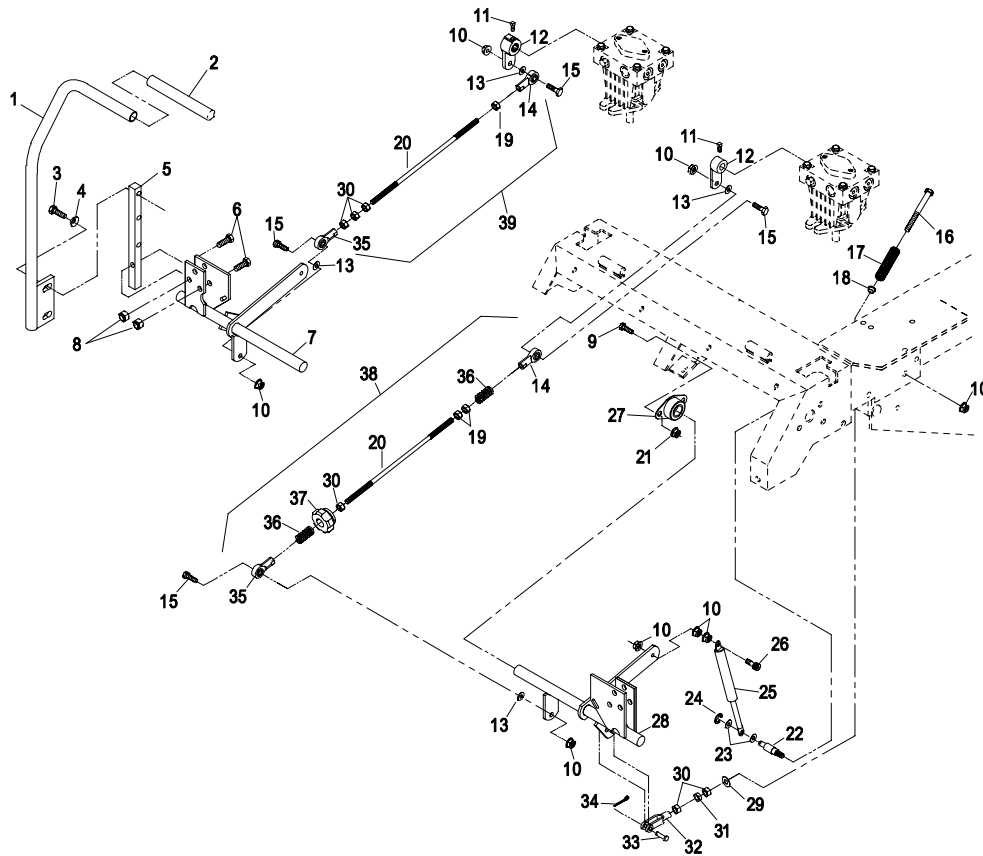


| Item | Part No. | Description | Qty. |
|------|-------------|---------------------------------|------|
| 1 | 1-323161 | Spring | 1 |
| 2 | 1-633102 | Bearing, Side Flange..... | 2 |
| 3 | 1-633131 | Yoke, 3/8-24 RH | 1 |
| 4 | 1-633268 | Grip..... | 1 |
| 5 | 103-4630 | Handle, Park Brake W/Grip | 1 |
| 6 | 1-808285 | Pin, Clevis 3/8 x 1 1/8 | 2 |
| 7 | 98-5975 | Washer, Spring Disk 3/8..... | 1 |
| 8 | 103-3116 | Wld, Brake Shaft | 1 |
| 9 | 103-8408 | Linkage | 1 |
| 10 | 103-3960-03 | Wld, Brake | 1 |
| 11 | 32151-48 | E-Ring..... | 1 |

| Item | Part No. | Description | Qty. |
|------|----------|--------------------------------|------|
| 12 | 322-6 | Screw, HH 5/16-18 x 1 1/4..... | 1 |
| 13 | 322-9 | Screw, HH 5/16-18 x 1 3/4..... | 1 |
| 14 | 323-4 | Screw, HH 3/8-16 x 3/4..... | 5 |
| 15 | 323-6 | Screw, HH 3/8-16 x 1..... | 4 |
| 16 | 3219-3 | Nut, Hex 3/8-24 (RH) | 3 |
| 17 | 3272-10 | Pin, Cotter 1/8 x 3/4..... | 2 |
| 18 | 3290-357 | Nut, Whizlock 3/8-16..... | 8 |
| 19 | 32128-20 | Nut, Whizlock 5/16-18..... | 4 |
| 20 | 3219-20 | Nut, Hex 3/8-24 (LH)..... | 1 |
| 21 | 103-8407 | Yoke, 3/8-24 (LH) | 1 |

Exmark black touch up spray paint – gloss black.

MOTION CONTROL GROUP



| Item | Part No. | Description | Qty. |
|------|----------|-----------------------------------|------|
| 1 | 103-0632 | Handle W/Grip (RH)..... | 1 |
| * | 103-0631 | Handle W/Grip (LH)..... | 1 |
| 2 | 1-633257 | Grip, Motion Control Handle..... | 2 |
| 3 | 323-6 | Screw, HH 3/8-16 x 1..... | 4 |
| 4 | 98-5975 | Washer, Spring Disk 3/8..... | 4 |
| 5 | 103-0407 | Arm, Control Shaft..... | 2 |
| 6 | 323-9 | Screw, HH 3/8-16 x 1 3/4..... | 6 |
| 7 | 103-4773 | Bracket, Motion Control (RH)..... | 1 |
| 8 | 3296-39 | Nut, Nyloc 3/8-16..... | 6 |
| 9 | 323-4 | Screw, HH 3/8-16 x 3/4..... | 8 |
| 10 | 32128-20 | Nut, Whizlock 5/16-18..... | 12 |
| 11◆ | 1-803022 | Setscrew, 5/16 x 5/8..... | 2 |
| 12 | 103-3717 | Arm, Pump Control..... | 2 |
| 13 | 3256-3 | Washer, 5/16 Std..... | 4 |
| 14 | 1-633152 | Balljoint (LH)..... | 2 |
| 15 | 322-6 | Screw, HH 5/16-18 x 1 1/4..... | 4 |
| 16 | 1-603737 | Bolt, Neutral Return..... | 2 |
| 17 | 1-603807 | Spring..... | 2 |
| 18 | 1-603735 | Bushing, Flanged..... | 2 |
| 19 | 1-804524 | Nut, Hex 5/16-24 (LH)..... | 3 |

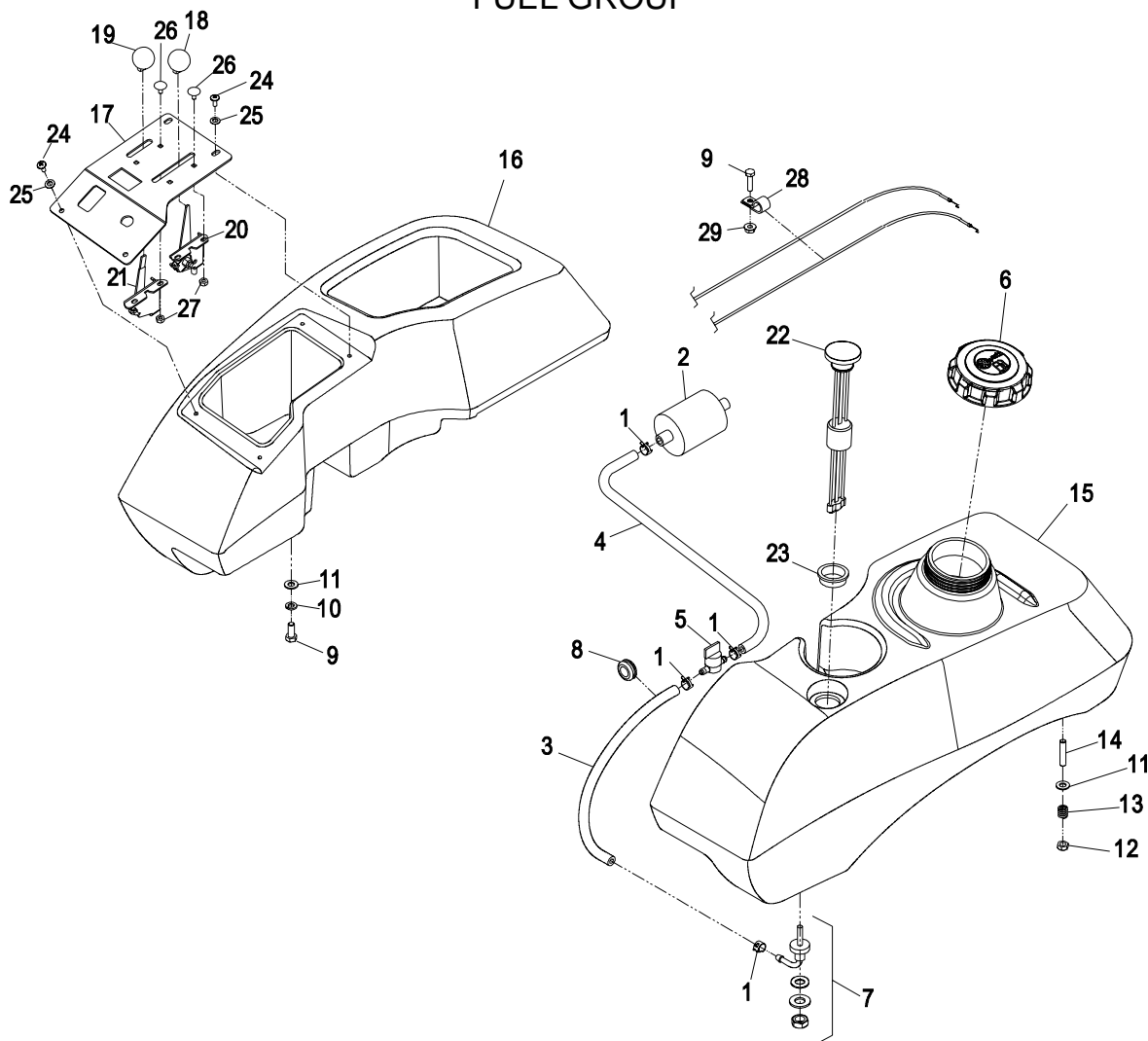
| Item | Part No. | Description | Qty. |
|------|----------|-----------------------------------|------|
| 20 | 103-3066 | Link, Pump Control..... | 2 |
| 21 | 3290-357 | Nut, Whizlock 3/8-16..... | 8 |
| 22 | 103-4101 | Pin, Damper Anchor..... | 2 |
| 23 | 3256-23 | Washer, 5/16 SAE..... | 4 |
| 24 | 32120-35 | E-Ring..... | 2 |
| 25 | 103-4079 | Damper..... | 2 |
| 26 | 1-403180 | Screw, HH 5/16-18 x 1 1/4 Sp..... | 4 |
| 27 | 1-633102 | Bearing, Flanged..... | 4 |
| 28 | 103-4774 | Bracket, Motion Control (LH)..... | 1 |
| 29 | 3256-2 | Washer, 1/4 Std..... | 2 |
| 30 | 3219-2 | Nut, Hex 5/16-24..... | 8 |
| 31 | 3220-2 | Nut, Jam 5/16-24..... | 2 |
| 32 | 1-303105 | Yoke..... | 2 |
| 33 | 1-808280 | Pin, Clevis 5/16 x 1..... | 2 |
| 34 | 3272-5 | Pin, Cotter 3/32 x 1/2..... | 2 |
| 35 | 1-543017 | Balljoint (RH)..... | 2 |
| 36 | 1-323245 | Spring, Compression..... | 2 |
| 37 | 103-3060 | Knob, Tracking..... | 1 |
| 38 | 103-3063 | Asm, Tracking..... | 1 |
| 39 | 103-4327 | Asm, Tracking..... | 1 |

Exmark black touch up spray paint – gloss black.

* Not Illustrated.

◆ Use Pro-Lock, Nut Type (P/N 1-840022, .5ml tube) on setscrews.

FUEL GROUP

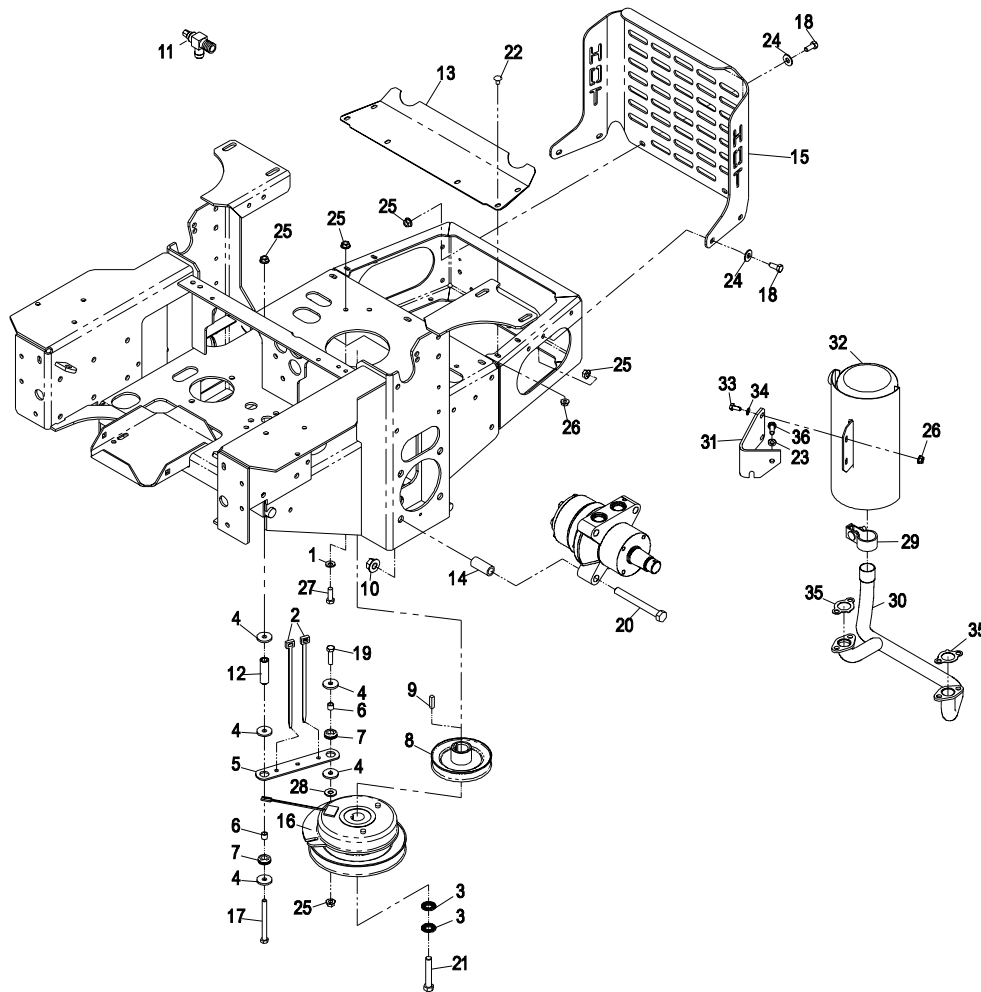


| Item | Part No. | Description | Qty. |
|------|-----------------------------------|--|------|
| 1 | 1-303077 | Clamp, Fuel Line..... | 4 |
| 2◆ | Briggs & Stratton Part No. 493629 | Fuel Filter | 1 |
| 3 | 1-303472 | Fuel Line | 1 |
| 4 | 1-603955 | Fuel Line | 1 |
| 5 | 1-603770 | Valve, Fuel..... | 1 |
| 6 | 103-3536 | Cap, Fuel Tank | 1 |
| 7▼ | 103-2605 | Fitting, Fuel Bulkhead W/Strainer..... | 1 |
| | 103-2784 | O-Ring | 1 |
| 8 | 1-543296 | Grommet, Fuel Line | 1 |
| 9 | 322-3 | Screw, 5/16-18 x 3/4 | 5 |
| 10 | 1-805005 | Washer, Lock 5/16 | 4 |
| 11 | 3256-23 | Washer, 5/16 SAE..... | 8 |
| 12 | 3296-47 | Nut, Nyloc 5/16-18 | 4 |
| 13 | 1-633349 | Spring, Fuel Tank..... | 4 |
| 14◇ | 1-633023 | Stud, Fuel Tank..... | 4 |

| Item | Part No. | Description | Qty. |
|------|----------|-----------------------------------|------|
| 15★ | 103-5995 | Asm, Tank Fuel (LH)..... | 1 |
| 16★ | 103-5998 | Asm, Tank (RH) | 1 |
| 17 | 103-4896 | Asm, Control Panel W/Decals..... | 1 |
| 18 | 1-513592 | Knob, Red (Throttle) | 1 |
| 19 | 1-513593 | Knob, Black (Choke)..... | 1 |
| 20 | 103-3086 | Cable, Throttle | 1 |
| 21 | 103-4091 | Cable, Choke..... | 1 |
| 22 | 103-5797 | Gage, Fuel..... | 1 |
| 23 | 95-8972 | Grommet | 1 |
| 24■ | 32122-30 | Screw, PTH #10-24 x 1/2..... | 4 |
| 25 | 1-303435 | Washer, Spring Disk 1/4 | 4 |
| 26 | 1-807513 | Bolt, Carriage #10-24 x 1/2 | 4 |
| 27 | 3296-2 | Nut, Nyloc #10-24 | 4 |
| 28 | 1-633396 | Clip, Loom 5/8 | 1 |
| 29 | 32128-20 | Nut, Whizlock 5/16-18..... | 1 |

- ◇ Use Pro-Lock, Retaining Type (P/N 1-840023, .5ml tube) on stud threads going into tank.
- ◆ Refer to Engine Owner's manual. (Fuel filter **Must** be 15 Micron or smaller).
- ★ Includes tank and studs. LH tank also includes cap, fitting and fuel gauge.
- ▼ Use Pro-Lock, Nut Type (P/N 1-840022, .5ml tube) on fuel fitting.
- Snug fit only on slotted holes, **Do Not Overtighten**, tank must be able to expand.

ENGINE GROUP



| Item | Part No. | Description | Qty. |
|------|-------------|------------------------------------|------|
| 1 | 1-303334 | Washer, Spring Disk 5/16..... | 4 |
| 2 | 1-303335 | Tie, Cable 7 15/16 (Large) | 2 |
| 3 | 1-603610 | Washer, Spring Disk 7/16..... | 2 |
| 4 | 1-613235 | Washer | 5 |
| 5 | 1-633543-03 | Strap, Clutch/Brake..... | 1 |
| 6 | 1-633545 | Spacer, Grommet..... | 2 |
| 7 | 1-633630 | Grommet, Brake..... | 2 |
| 8 | 103-3913 | Sheave, W/Hub..... | 1 |
| 9 | 1-807259 | Key, Machine 1/4 x 1/4 x 1 | 1 |
| 10 | 32128-49 | Nut, Whizlock 1/2-13..... | 8 |
| 11▼ | 103-1963 | Valve, Oil Drain..... | 1 |
| 12 | 103-2614 | Spacer | 1 |
| 13 | 103-2740-03 | Deflector, Short..... | 1 |
| 14 | 1-633380 | Spacer, Wheel Motor (44) | 8 |
| | 103-8503 | Spacer, Wheel Motor (48 & 52)..... | 8 |
| 15 | 103-4048-03 | Bumper, Rear..... | 1 |
| 16 | 104-3624 | Clutch, Electric, PTO..... | 1 |
| 17 | 322-22 | Screw, HH 5/16-18 x 3 1/2 | 1 |
| 18 | 322-3 | Screw, HH 5/16-18 x 3/4 | 6 |

| Item | Part No. | Description | Qty. |
|------|-------------|---|------|
| 19 | 322-6 | Screw, HH 5/16-18 x 1 1/4..... | 1 |
| 20 | 325-14 | Screw, HH 1/2-13 x 3 1/2 (44)..... | 8 |
| | 325-18 | Screw, HH 1/2-13 x 4 1/2 (48 & 52)..... | 8 |
| 21◆ | 3212-10 | Screw, HH 7/16-20 x 2 1/2..... | 1 |
| 22 | 3229-10 | Bolt, Carriage 1/4-20 x 3/4 | 4 |
| 23 | 1-805005 | Washer, Lock 5/16 Heavy | 2 |
| 24 | 3256-24 | Washer, 3/8 SAE | 6 |
| 25 | 32128-20 | Nut, Whizlock 5/16-18..... | 12 |
| 26 | 32128-33 | Nut, Whizlock 1/4-20..... | 6 |
| 27 | 322-7 | Screw, HH 5/16-18 x 1 1/2..... | 4 |
| 28 | 3256-3 | Washer, 5/16 Std..... | 1 |
| 29 | 103-8368 | Clamp, Muffler 1.25 Flat..... | 1 |
| 30 | 103-7993 | Manifold..... | 1 |
| 31 | 103-8266-03 | Bracket, Muffler..... | 1 |
| 32 | 103-8106 | Muffler | 1 |
| 33 | 321-3 | Screw, HH 1/4-20 x 5/8..... | 2 |
| 34 | 1-303435 | Washer, Spring Disk 1/4 | 2 |
| 35 | 103-8361 | Gasket | 2 |
| 36 | 33114-020 | Screw, HH M8-1.25 x 20mm..... | 2 |

Exmark black touch up spray paint – gloss black.

- ▼ Use a Teflon Pipe Sealant or equivalent on threads of drain valve.
- ◆ Use Pro-Lock, Nut Type (P/N 1-840022, .5ml tube) on clutch bolt.

HYDRAULIC GROUP

| Item | Part No. | Description | Qty. |
|------|-------------|------------------------------------|------|
| 1 | 103-1947 | Asm, Reservoir W/Decal | 1 |
| 2 | 103-1948 | Cap, Hydraulic Reservoir | 1 |
| 3 | 103-1949 | Gasket, Reservoir Cap | 1 |
| 4 | 321-6 | Screw, HH 1/4-20 x 1 | 2 |
| 5 | 3256-22 | Washer, Flat 1/4 SAE | 2 |
| 6 | 103-3071-03 | Wld, Reservoir Stand | 1 |
| 7 | 103-1801 | Adapter, Straight | 1 |
| | 1-603921 | O-Ring | 1 |
| 8 | 103-1912 | Adapter, Straight | 1 |
| | 1-603921 | O-Ring | 1 |
| 9 | 103-1716 | Clamp, Hose 17/32 | 3 |
| 10 | 103-1988 | Clamp, Hose 11/16 | 3 |
| 11 | 103-3077 | Asm, Supply Hose | 1 |
| 12 | 103-2889 | Asm, Filter Head | 1 |
| | 103-1912 | Adapter, Straight | 2 |
| | 1-603921 | O-Ring | 1 |
| 13 | 321-3 | Screw, HH 1/4-20 x 5/8 | 2 |
| 14 | 322-5 | Screw, HH 5/16-18 x 1 | 1 |
| 15 | 1-805004 | Washer, Lock 1/4 Heavy | 2 |
| 16 | 1-513211 | Element, Oil Filter | 1 |
| ▼ | 1-523541 | Element, Oil Filter (Winter) | 1 |
| 17 | 103-2930 | Asm, Charge Hose | 1 |
| 18 | 103-2357 | Asm, Case Drain Hose | 1 |
| 19 | 1-653437 | Hose, RH Rear (44) | 1 |
| | 103-4021 | Hose, RH Rear (48 & 52) | 1 |
| 20 | 103-8545 | Hose, RH Front (44) | 1 |
| | 1-653187 | Hose, RH Front (48 & 52) | 1 |
| 21 | 1-633605 | Elbow, 90° | 4 |
| | 1-603919 | O-Ring | 1 |
| | 1-603992 | O-Ring | 1 |
| 22 | 103-5333 | Motor, Wheel | 2 |
| 23 | 103-1799 | Elbow, 90° | 2 |
| | 1-603921 | O-Ring | 1 |
| 24 | 1-807272 | Key 5 x 5 x 25mm | 2 |
| 25 | 103-1802 | Elbow, 90° | 2 |
| | 1-603921 | O-Ring | 1 |
| 26 | 322-3 | Screw, HH 5/16-18 x 3/4 | 1 |
| 27 | 32128-20 | Nut, Whizlock 5/16-18 | 2 |
| 28 | 103-1942 | Pump, Hydro | 2 |
| | 103-2664 | Kit, Input Shaft 10A | 1 |
| | 94-6922 | Kit, Thrust Bearing 10A | 1 |
| | 103-2666 | Kit, Cylinder Block 10A | 1 |
| | 105-6184 | Kit, Overhaul Seal | 1 |

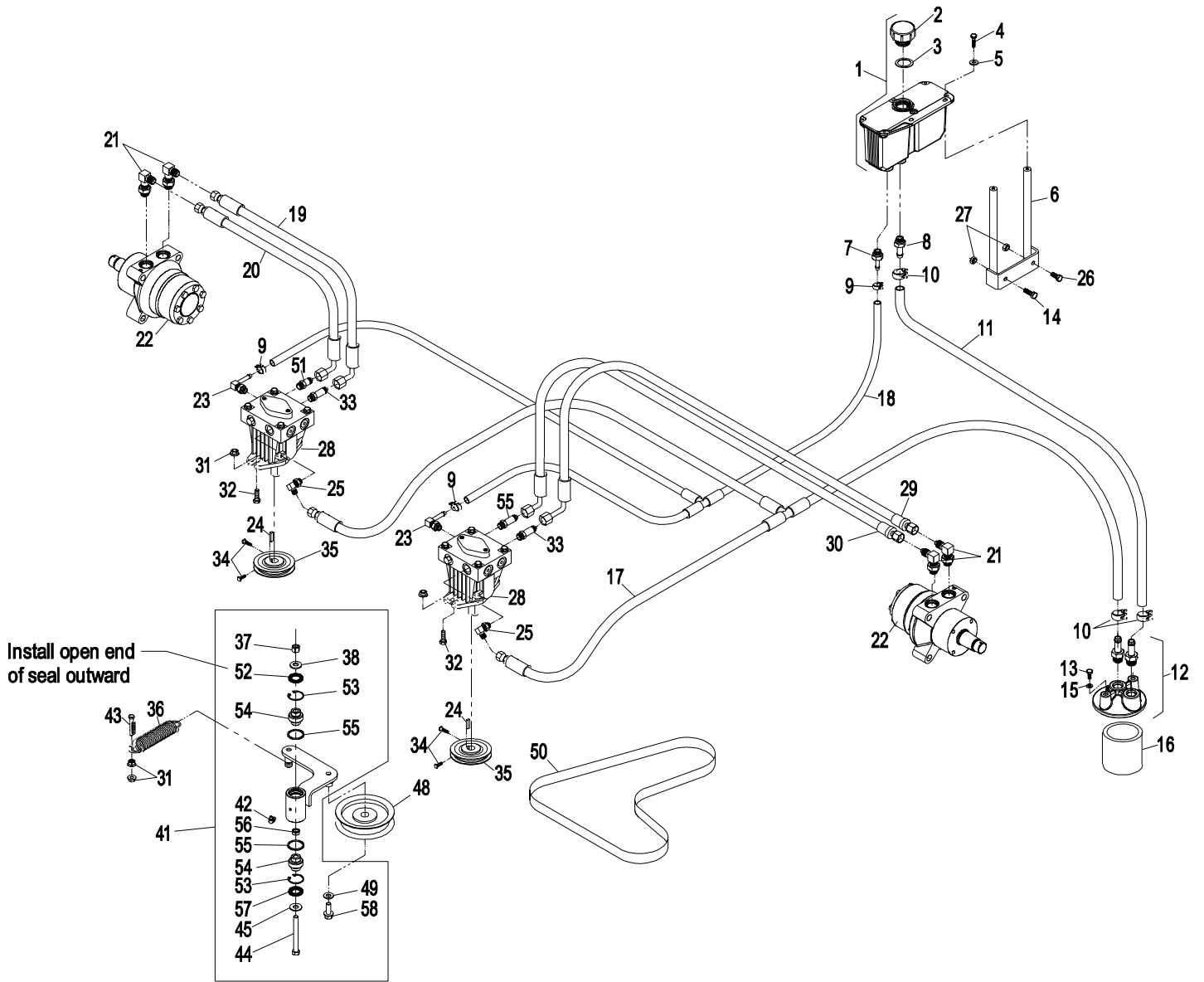
| Item | Part No. | Description | Qty. |
|------|----------|--|------|
| 29 | 103-8486 | Hose, LH Rear (44) | 1 |
| | 103-4022 | Hose, LH Rear (48 & 52) | 1 |
| 30 | 103-8545 | Hose, LH Front (44) | 1 |
| | 1-653187 | Hose, LH Front (48 & 52) | 1 |
| 31 | 3290-357 | Nut, Whizlock 3/8-16 | 6 |
| 32 | 323-7 | Screw, HH 3/8-16 x 1 1/4 | 4 |
| 33 | 103-1940 | Adapter, Straight Long | 2 |
| | 1-603920 | O-Ring | 1 |
| | 1-603992 | O-Ring | 1 |
| 34◆ | 1-803050 | Setscrew, 5/16-18 x 3/4 | 4 |
| 35 | 1-653156 | Sheave, Pump Drive | 2 |
| 36 | 103-1767 | Spring | 1 |
| 37 | 3296-39 | Nut, Nyloc 3/8-16 | 1 |
| 38 | 98-5975 | Washer, Spring Disk 3/8 | 1 |
| 39 | 3234-11 | Screw, HH Whizlock 3/8-16 x 1 | 1 |
| 40 | 103-3505 | Seal, Double, Lip | 1 |
| 41 | 103-5699 | Kit, Idler Arm W/Bearings | 1 |
| 42 | 302-40 | Zerk, 90° 1/4-28 | 1 |
| 43 | 323-9 | Screw, HH 3/8-16 x 1 3/4 | 1 |
| 44 | 98-5961 | Screw, HH 3/8-16 x 4 Gr 8 | 1 |
| 45 | 3256-4 | Washer, 3/8 Std | 1 |
| 46 | 103-5677 | Spacer | 1 |
| 47 | 106-7159 | O-ring | 2 |
| 48 | 1-603843 | Pulley, Idler | 1 |
| 49 | 3256-24 | Washer, 3/8 SAE | 1 |
| 50 | 103-4760 | Belt, Pump | 1 |
| 51 | 103-4020 | Adapter, Straight | 1 |
| | 1-603920 | O-Ring | 1 |
| | 1-603992 | O-Ring | 1 |
| 52 | 103-3506 | Seal, Single Lip | 1 |
| 53 | 32120-10 | Ring, Retaining | 2 |
| 54 | 103-3504 | Bearing, Spherical | 2 |
| 55 | 103-4020 | Adapter, Straight Short (44) | 1 |
| | 103-1940 | Adapter, Straight Long (48 & 52) | 1 |
| | 1-603920 | O-Ring | 1 |
| | 1-603992 | O-Ring | 1 |

Exmark red touch up spray paint – P/N 1-850337

▼ Use only for operation below 32°F (0°C)

◆ Use Pro-Lock, Nut Type (P/N 1-840022, .5ml tube) on setscrews.

HYDRAULIC GROUP



DECAL GROUP

| Item | Part No. | Description | Qty. |
|------|----------|----------------------------------|------|
| 1 | 103-4891 | Decal, Console..... | 1 |
| 2 | 107-2112 | Decal, Danger Slope..... | 1 |
| 3 | 1-523552 | Decal, Hyd Tank/Hot Surface..... | 1 |
| 4 | 103-2644 | Decal, Exhaust system..... | 1 |
| 5 | 103-1077 | Decal, Bolt Torque | 1 |
| 6 | 1-513742 | Decal, No Step..... | 2 |
| 7 | 1-633922 | Decal, Anti-Scalp | 1 |
| 8 | 1-513748 | Decal, Guard..... | 1 |
| 9 | 1-653147 | Decal, Deck Height | 1 |
| 10 | 1-513746 | Decal, Muffler..... | 1 |
| 11 | 1-653477 | Decal, Belt Routing | 1 |
| 12 | 1-303508 | Decal, Discharge Warning..... | 1 |
| 13 | 1-403005 | Decal, Danger | 2 |
| 14 | 1-303520 | Decal, Trivantage..... | 1 |

| Item | Part No. | Description | Qty. |
|------|----------|-----------------------------|------|
| 15 | 98-5954 | Decal, Missing Cover..... | 2 |
| 16 | 1-643401 | Decal, Mercury Switch | 1 |
| 17 | 103-4112 | Decal, LCT Model | 1 |
| 18 | 107-2102 | Decal, Rops Folding..... | 1 |
| 19 | 103-9116 | Decal, Check Service..... | 1 |
| 20 | 103-2882 | Decal, Exmark Logo..... | 1 |
| 21 | 1-523417 | Decal, Commercial 44..... | 1 |
| 22 | 1-403131 | Decal, Commercial 48..... | 1 |
| 23 | 1-403132 | Decal, Commercial 52..... | 1 |
| 24 | 103-4903 | Decal, Ignition/PTO..... | 1 |
| 25 | 103-4892 | Decal, Throttle | 1 |
| 26 | 103-4930 | Decal, Choke | 1 |
| 27 | 103-1997 | Decal, Top Console | 1 |
| | 103-5996 | Decal Kit | |

DECAL GROUP

1

RELEASE

PARK BRAKE

ENGAGE

⚠ DANGER

To avoid serious injury or death:

- Avoid blades unless engine and Mades are stopped.

⚠ WARNING

To avoid serious injury or death:

- Pick up objects that could be thrown by the blades.
- Do NOT mow when people and pets are in the area.
- Do NOT carry passengers.
- Look behind and to the side before changing directions.
- Before leaving operator's position:
 - Disengage PTO.
 - Move drive levers out to neutral lock position.
 - Engage park brake.
 - Stop engine.

eXmark

⚠ WARNING

To avoid serious injury or death:

- Read and understand the operator's manual before using this machine.
- Do NOT operate unless trained to safely use this machine.
- Do NOT operate under the influence of alcohol or drugs.
- Do NOT operate without shields, guards, and safety devices in place and working.
- Check the function of the operator presence controls (OPC) safety system daily. Do NOT defeat the OPC system.
- Stop engine and remove key before adjusting, servicing, or cleaning machine and attachments.
- Hearing protection is recommended.

CUTTING HEIGHT

103-4891

2

⚠ WARNING

- Operating on wet grass or steep slopes can cause sliding and loss of control.
- Wheels dropping over edges can cause rollovers, which may result in serious injury, death or drowning.
- To avoid loss of control and possibility of rollover:
 - Do NOT operate near drop-offs or near water.
 - Do NOT operate on slopes greater than 15°.
 - Reduce speed and use extreme caution on slopes.
 - Avoid sudden turns or rapid speed changes.
- There is no roll over protection when the roll bar is down.
- Always keep roll bar in the raised and locked position and use seat belt.
- Read and follow rollover protection instructions and warnings.

3

HYDRAULIC OIL - USE ONLY

MOBIL 1 SAE 15W-50

SYNTHETIC ENGINE OIL

FILL TO TOP OF BATTLE

CAUTION

HOT SURFACE

4

⚠ WARNING

- Hot exhaust components may ignite flammable debris.
- Fire or explosion may occur, resulting in property damage, personal injury or death.
- Do not operate without entire exhaust system in place and in proper working condition.

5

⚠ CAUTION

- Loose or Damaged Blade Bolt may allow blade to come out from under deck at HIGH SPEED.
- Replace Blade Bolt after striking a foreign object.
- Torque Blade Bolt to 115-120 FT-LBS (156-163N m)
- SEE OPERATOR'S MANUAL.

7

ANTI-SCALP ROLLER ADJUSTMENT

FOR NORMAL OPERATING CONDITIONS, PLACE ROLLERS IN POSITIONS SHOWN FOR 3 1/4" (19 mm) GROUND CLEARANCE.

CUTTING HEIGHT INCHES (mm)

2 1/8" (55)

2 3/8" (60)

3 1/8" (79)

3 3/8" (89)

FOR MAXIMUM FLOTATION, ROLLERS MAY BE POSITIONED LOWER, BUT MUST MAINTAIN A MINIMUM OF 1/4" (6.4 mm) GROUND CLEARANCE. NEVER POSITION THE ROLLERS TO SUPPORT THE MOWER DECK.

6

NO STEP

8

CAUTION

DO NOT OPERATE WITHOUT GUARD IN PLACE.

9

10

CAUTION

MUFFLER AND SHIELDS MAY EXCEED 150° F.

11

STATIONARY IDLERS

FRONT OF MOWER

1-413093 44"

1-413308 48"

1-553366 52"

12

⚠ WARNING

DO NOT OPERATE WITHOUT DISCHARGE DEFLECTOR, ENTIRE GRASS COLLECTION SYSTEM, OR MULCH KIT IN PLACE. DO NOT REMOVE GRASS CATCHER UNTIL BLADES HAVE STOPPED.

13

DANGER

KEEP HANDS and FEET AWAY

14

15

⚠ DANGER

COVER IS MISSING, DO NOT OPERATE WITH THIS UNIT WHEN COVER IS NOT IN PLACE.

16

MERCURY SWITCH PART NUMBER 433370. SEE OPERATOR'S MANUAL FOR DISPOSAL INSTRUCTIONS.

17

20

18

⚠ WARNING

TO AVOID INJURY OR DEATH FROM ROLLOVER: Keep roll bar in the raised and locked position and use seat belt.

THERE IS NO ROLL OVER PROTECTION WHEN THE ROLL BAR IS DOWN. Lower the roll bar only when the machine is stationary. Drive slowly and carefully. Raise the roll bar as soon as clearance permits. Read and follow slope operation instructions and warnings.

19

CHECK/SERVICE REFERENCE AID

GREASE LUBE POINTS AT INTERVALS SHOWN.

1 CHECK HYDRAULIC FLUID AT INTERVAL SHOWN. (USE ONLY MOBIL 1 15W-50 SYNTHETIC MOTOR OIL.)

2 SEE ENGINE OPERATOR'S MANUAL FOR SERVICING ENGINE.

3 CHECK TIRE PRESSURE AT INTERVAL SHOWN.

16 PSI PNEUMATIC CASTER TIRES

CHECK TIRE PRESSURE AT INTERVAL SHOWN.

13 PSI REAR DRIVE TIRES

SEE OPERATOR'S MANUAL FOR ADDITIONAL DETAILS

21

COMMERCIAL 44

22

COMMERCIAL 48

23

COMMERCIAL 52

24

25

26

27

MOTION CONTROL

CAUTION

MERCURY IS TOXIC, POISONOUS AND CAN CAUSE SEVERE ILLNESS.

- Never attempt to open or repair switch.
- Avoid contact with mercury.
- See operator's manual for disposal guide.

⚠ WARNING

Battery contains sulfuric acid. Avoid contact and always shield eyes, face, skin and clothing from battery. Cigarettes, flames or sparks could cause battery to explode. Do not charge or use booster cables or adjust post connections without proper training. In event of an accident flush with water and call a physician immediately. Keep out of reach of children.

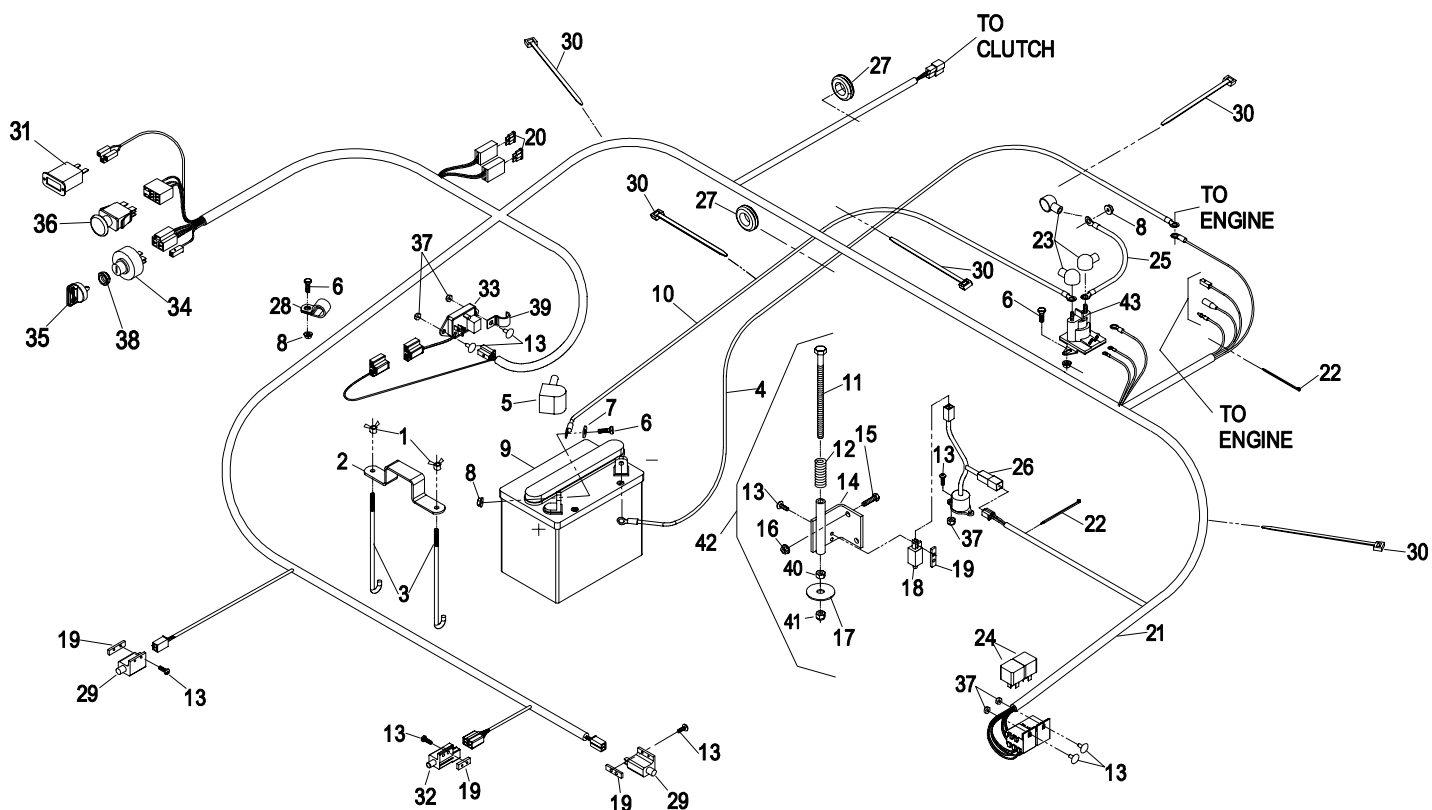
MOTION CONTROL

DRIVE WHEEL RELEASE

Use S8 wrench. One turn counterclockwise to release. Do not over-tighten.

103-997

BRIGGS & STRATTON ELECTRICAL GROUP

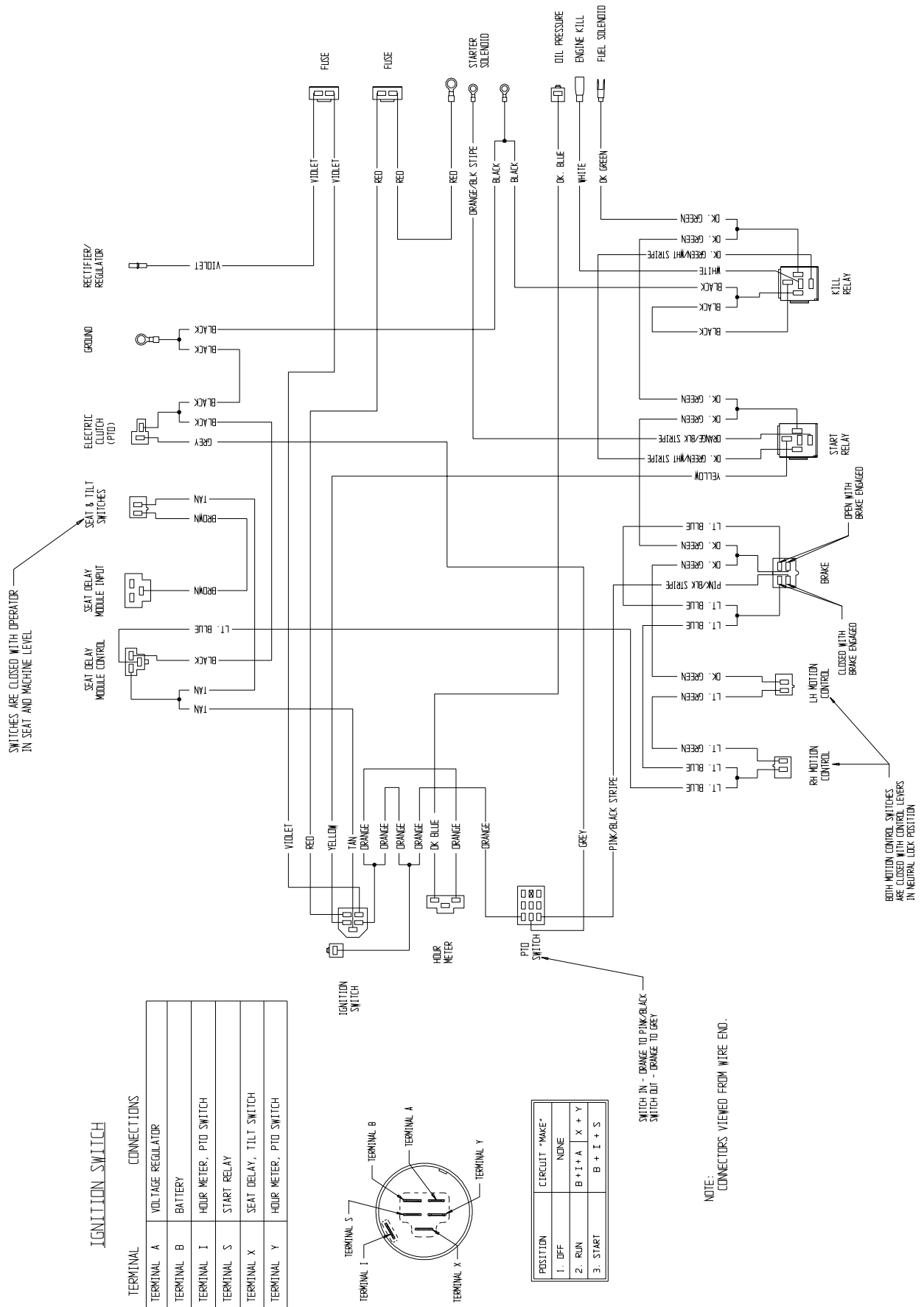


| Item | Part No. | Description | Qty. |
|------|-------------|-------------------------------|------|
| 1 | 1-543792 | Wingnut, Nyloc 1/4-20..... | 2 |
| 2 | 1-633652-03 | Strap, Battery Holddown | 1 |
| 3 | 1-633651 | Bolt, Battery Holddown..... | 2 |
| 4 | 103-0705 | Cable, Ground (-)..... | 1 |
| 5 | 1-543391 | Insulator, Battery | 1 |
| 6 | 321-4 | Screw, HH1/4-20 x 3/4..... | 5 |
| 7 | 3256-2 | Washer, 1/4 Flat | 2 |
| 8 | 32128-33 | Nut, Whizlock 1/4-20..... | 6 |
| 9 | 103-0293 | Battery, 12V | 1 |
| 10 | 103-0707 | Cable, Battery (+)..... | 1 |
| 11 | 1-800282 | Screw, HH 5/16-18 x 7 | 1 |
| 12 | 1-523415 | Spring, Seat Switch..... | 1 |
| 13 | 3290-500 | Screw, PPH #10-24 x 5/8..... | 14 |
| 14 | 1-652072-03 | Wld, Seat Switch Bracket..... | 1 |
| 15 | 322-3 | Screw, HH 5/16-18 x 3/4 | 2 |
| 16 | 32128-20 | Nut, Whizlock 5/16-18 | 2 |
| 17 | 1-653036 | Washer | 1 |
| 18 | 1-513152 | Switch, Seat..... | 1 |
| 19 | 1-633181 | Plate | 4 |
| 20 | 1-816001 | Fuse-20 Amp | 2 |
| 21◆ | 103-8322 | Harness, Wiring | 1 |
| 22 | 1-303287 | Tie, Cable 5 1/2 (Small)..... | 2 |

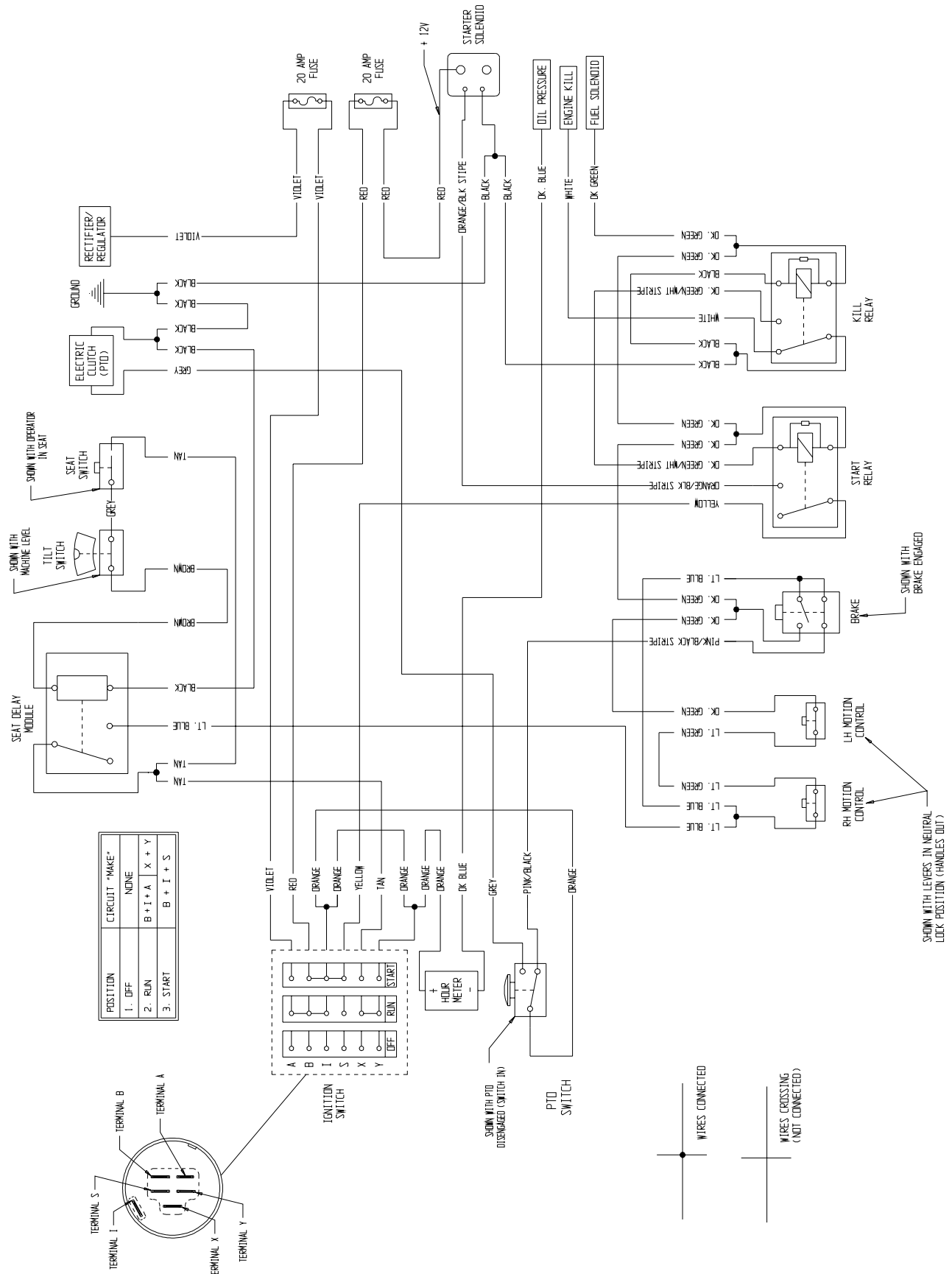
| Item | Part No. | Description | Qty. |
|------|----------|-----------------------------------|------|
| 23 | 1-543393 | Insulator, Solenoid (+)..... | 3 |
| 24 | 1-643275 | Relay, 12 V | 2 |
| 25 | 1-633306 | Cable, Starter (+) | 1 |
| 26 | 1-633782 | Switch, Tilt | 1 |
| 27 | 1-543286 | Grommet | 2 |
| 28 | 1-633396 | Clip, Loom 5/8 | 1 |
| 29 | 1-513051 | Switch, Drive Lever N.O..... | 2 |
| 30 | 1-303335 | Plastic Tie, 7 15/16 (Large)..... | 6 |
| 31 | 1-513374 | Meter, Engine Hours | 1 |
| 32 | 1-633111 | Switch, Brake N.O./N.C. | 1 |
| 33 | 100-6186 | Module, Seat Delay | 1 |
| 34 | 103-0206 | Switch, Ignition W/Keys | 1 |
| 35 | 103-2106 | Key, Exmark Logo | 1 |
| | 1-603511 | Key, Ignition..... | 1 |
| 36 | 1-633673 | Switch, Blade..... | 1 |
| 37 | 3296-2 | Nut, Nyloc #10-20 | 6 |
| 38 | 103-0498 | Nut, Ignition | 1 |
| 39 | 103-1193 | Clip, Loom Half | 1 |
| 40 | 3217-6 | Nut, Hex 5/16-18..... | 1 |
| 41 | 3296-29 | Nut, Nyloc 5/16-18..... | 1 |
| 42 | 103-5685 | Asm, Seat Switch Actuator..... | 1 |
| 43 | 1-513075 | Switch, 12V Solenoid..... | 1 |

◆ Use dielectric grease on all wiring harness connectors.

BRIGGS & STRATTON ELECTRICAL DIAGRAM



BRIGGS & STRATTON ELECTRICAL SCHEMATIC



NOTES

NOTES

SEE EXMARK'S COMPLETE LINE OF ACCESSORIES

RIDING ACCESSORIES

CUSTOM RIDE SEAT SUSPENSION SYSTEM
DECK LIFT ASSIST KIT
HITCH KIT
LIGHT KIT
MICRO-MULCH SYSTEM
ROLL OVER PROTECTION SYSTEM (ROPS)
SNOW BLADE
SUN SHADE
TRASH CONTAINER
TURF STRIPER
ULTRA VAC COLLECTION SYSTEM
ULTRA VAC QUICK DISPOSAL SYSTEM

WALK BEHIND ACCESSORIES

GRASS CATCHER
MICRO-MULCH SYSTEM
STEERABLE SULKY
SULKY HITCH KIT
TURF STRIPER

Check us out on the Web:
www.exmark.com

© 1997-2004 EXMARK MFG. CO. INC.
INDUSTRIAL PARK BOX 808
BEATRICE, NE 68310

PART NO. 103-7222 Rev. A
(402) 223-6300
FAX (402) 223-5489

ALL RIGHTS RESERVED

PRINTED IN U.S.A.

