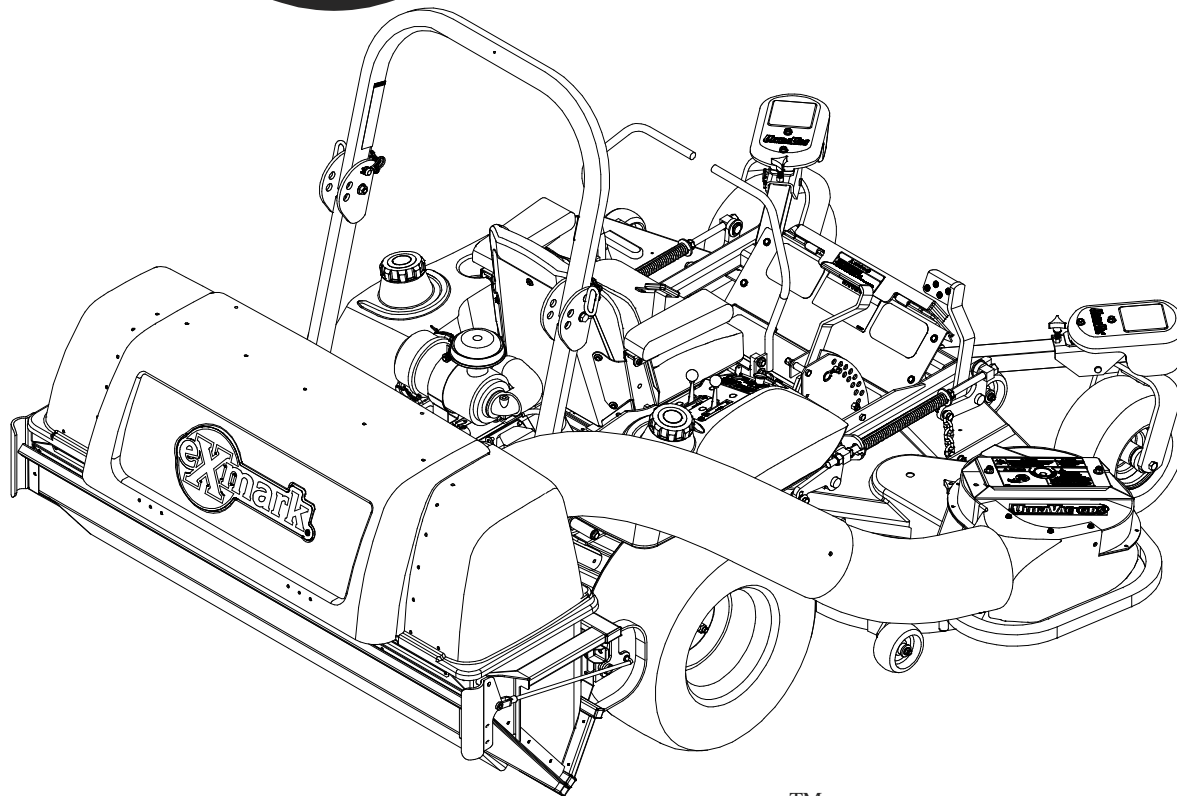


For Serial Nos.
440,000 & Higher



PARTS MANUAL

ULTRA VACTM QDS[®]

LAZER Z[®] AND LAZER Z XP[®] MODELS

CONGRATULATIONS on the purchase of your new Exmark equipment. This product has been carefully designed and manufactured to give you a maximum amount of dependability and years of trouble-free operation. If additional information is needed, or should you require trained mechanic service, contact your authorized Exmark equipment dealer or distributor. If you need to order replacement parts from your dealer, always give the model number and serial number of your equipment as well as the part number, description and quantity of the part needed.

The Serial No. plate is located on the front mount of the hopper assembly. For ease of ordering and reference, we suggest that you record the information requested in the following identification table.

Place Model No. and Serial No. Label Here
(Included in Literature Pack)
or Fill in Below

Model No. _____

Serial No. _____

Date Purchased _____

EXMARK PARTS PLUS[®] PROGRAM

EFFECTIVE DATE: September 1, 1995

Program

If your Exmark dealer does not have the Exmark part in stock, Exmark will get the parts to the dealer the next business day or the part will be FREE* Guaranteed!!

How the Program Works

1. If dealer does not have part in stock for a "down" unit at the time of request by customer, the dealer contacts his distributor by 1:00 p.m., local time, and requests Exmark Parts Plus[®] shipment of six (6) line items or less.
2. Distributor ships part(s) to dealer or customer, as requested by dealer, same day, overnight UPS. Distributor bills dealer for part and freight charges where applicable.
3. If distributor does not have the part(s) in stock to satisfy Exmark Parts Plus[®] order, he contacts Exmark by 3:00 p.m., central time, with an Exmark Parts Plus[®] order of six (6) line items or less.
4. If order is received by 3:00 p.m. central time, Exmark ships part(s) direct to dealer or customer, as requested by distributor, same day, overnight UPS. Exmark bills the distributor for parts and shipping charges, where applicable.
5. The customer pays for the part and freight if it is shipped under the Exmark Parts Plus[®] and if it arrives in accordance to the program.
6. Who pays for the part and freight if it fails to arrive overnight in accordance to the program?
 - A. Under any circumstance the customer does not pay.
 - B. If the part does not arrive overnight due to:
 1. The dealer not submitting the Exmark Parts Plus[®] order to his Exmark distributor by 1:00 p.m., the dealer pays for the part and freight.
 2. The Distributor being unable to ship the part the same day or not submitting the Exmark Parts Plus[®] order to Exmark by 3:00 p.m., central time, the Distributor pays for the part and freight.
 3. Exmark being unable to ship the part and the Exmark parts order is received by 3:00 p.m., central time, Exmark pays for the part and freight.
 4. If the part does not arrive overnight due to the shipper (UPS), the shipper pays for the freight and Exmark pays for the part.



The following restrictions apply -- The Exmark Parts Plus[®] Program is available only through participating Exmark Dealers and applies only to orders submitted on this program Monday through Thursday. Parts Plus service is available only in the contiguous 48 United States. UPS has initiated a Saturday delivery program to many areas of the continental United States and can be requested for an overnight shipment on Friday to be delivered Saturday. The next day air charge, plus the Saturday delivery fee will be the responsibility of the purchaser. Exmark Mfg. will assume no responsibility for Saturday delivery shipments. To qualify, all Exmark Parts Plus[®] orders must be received by Exmark by 3:00 p.m., central time. Orders must be six (6) line items or less. Exclusions from the Exmark Parts Plus[®] Program are: Any wholegood or accessory in its entirety, engines and engine replacement parts, 5-speed Peerless transmissions and 5-speed transaxles, hydraulic or hydrostatic wheel motors, cutter decks and engine decks or any item exceeding United Parcel Service size and weight restrictions.

Due to UPS restrictions, aerosol spray paint is considered a hazardous material and cannot be shipped via UPS next day or Second Day Air.

Exmark Manufacturing stocks a limited supply of parts for transaxles, pumps and wheel motors. These parts can be ordered for Next Day Air shipment but will not be guaranteed per the Parts Plus Program.



**READ OPERATOR'S MANUAL BEFORE
OPERATING OR SERVICING EXMARK EQUIPMENT**

TABLE OF CONTENTS

<u>Description</u>	<u>Page</u>
Blower Assembly.....	3-4
Decals	10
Hitch and Handle Assembly	9
Hopper Assembly.....	5-6
Weight and Belt Drive Components.....	7-8

BLOWER ASSEMBLY

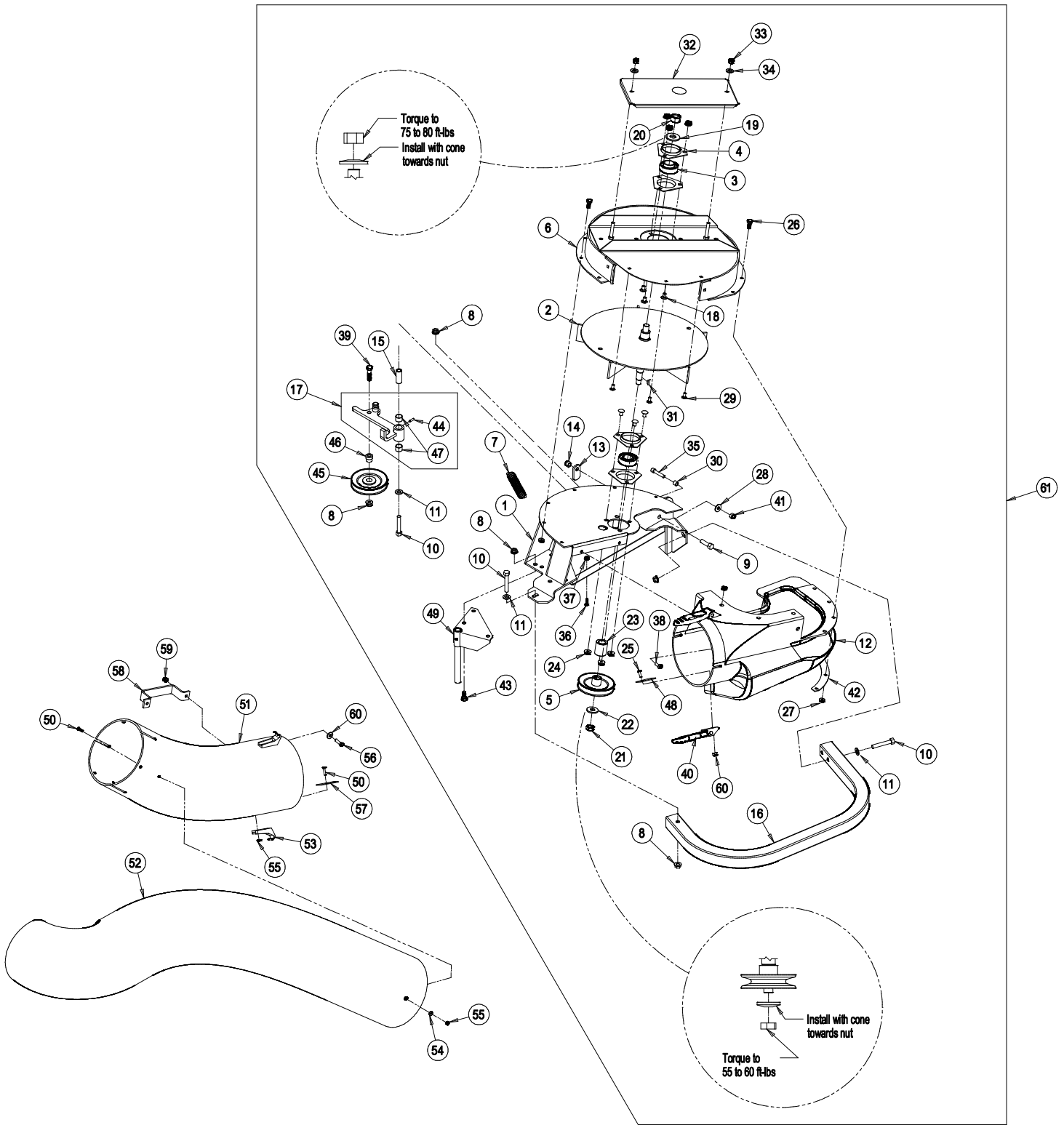
Item	Part No.	Description	Qty.
1	103-0454-03	Wld, Blower Mount 60" & 72"	1
2	103-0455	Wld, Impeller	1
3+	1-653346	Bearing, SPH. OD.....	2
4	1-513013	Housing, Flange	4
5+	103-0456	Sheave, Blower	1
6	103-3593	Wld, Upper Housing (103-0457-03) With Decals	1
7	1-653331	Spring, Idler	1
8	3290-357	3/8-16 Whizlock Nut.....	8
9	323-7	Screw HH 3/8-16 x 1 1/4.....	1
10	323-11	Screw HH 3/8-16 x 2 1/4.....	4
11	3256-4	Washer, Flat .438 x 1.00 x .083	4
12	103-4759	Chute, Blower.....	1
13	1-353054	Latch, Grass Catcher.....	1
14	3296-39	Nut, Nyloc 3/8-16.....	1
15	1-603044	Bushing, Idler Pivot.....	1
16	103-0458-01	Bumper.....	1
17	103-0448	Asm , Idler W/Bushings (103-0462-03) Zerk, & Decal.....	1
18	3230-18	Bolt, Carriage 5/16-18 x 5/8.....	6
19	1-513208	Washer, Spring Disk.....	1
20	3219-6	Nut, 5/8-18.....	1
21	3220-5	Nut, Jam 1/2-20.....	1
22	1-513435	Washer, Spring Disk.....	1
23	103-0460	Spacer.....	1
24	32128-20	Nut, Whizlock 5/16-18.....	6
25	321-4	Screw, HH 1/4-20 x 3/4.....	2
26	321-3	Screw, HH 1/4-20 x 5/8.....	10
27	32128-33	Nut, Whizlock 1/4-20.....	17
28	1-303334	Washer, Spring Disk 5/16	1
29	3229-11	Bolt, Carriage 1/4-20 x 5/8.....	5
30	103-0126	Bushing, Locator.....	1
31	3257-32	Key, Woodruff #61 5/8 x 3/16.....	1

Item	Part No.	Description	Qty.
32	103-3583	Cover, Bearing (103-3584-03) With Decal.....	1
33	3296-29	Nut, Nyloc 5/16-18.....	2
34	3256-3	Washer, Flat 5/16 x 7/8 OD	2
35	3274-18	Screw, Socket HD 5/16-18 x 1 1/4.....	1
36	1-803075	Screw, CRTH #10-24 x 3/4.....	3
37	3290-148	Nut, Whizlock #10-24	3
38	1-803076	Screw, CRTH 1/4-20 x 3/4.....	2
39	323-8	Screw HH 3/8-16 x 1 1/2.....	1
40	103-2898	Latch, Rubber.....	2
41	3217-6	Nut 5/16-18	1
42	103-0461-03	Plate, Blower Backing.....	1
43	323-4	Screw HH 3/8-16 x 3/4	3
44	302-19	Zerk, 1/8-28 Straight.....	1
45	103-0483	Idler.....	1
46	1-653367	Hub, Spacer	1
47	1-653600	Bearing.....	2
48	103-3093	Plate, Backing	2
49	103-0445-03	Wld, Mount Pin.....	1
50	32105-13	Screw, HWH #10-24 x 3/4	10
51	103-4170	Tube, Lower	1
52	103-0424	Tube, Upper 60"	1
	103-0425	Tube, Upper 72"	1
53	103-2897	Latch, Catch	2
54	3256-61	Washer, Flat .216 x .75 x .05.....	6
55	3296-2	Nut, Nyloc #10-24.....	10
56	321-6	Screw, HH 1/4-20 x 1	2
57	103-3079	Plate, Backing	2
58	1-353005-03	Handle.....	1
59	3296-42	Nut, Nyloc 1/4-20.....	4
60	3256-55	Washer, Flat .26 x 1.25	2
61	103-2991	Asm, Blower, 60" & 72" (Includes Items 1-49 & Decals).....	1

Exmark red touch up spray paint - P/N 1-850337

- + Apply Mobil HTS grease (P/N 103-5217 1.5 oz packet) (or a food-grade antisieze) on bore of sheave and bearings. Kit 103-0583 is available to add or repair the welded-on accessory mounting tube on all 44"-72" decks.

BLOWER ASSEMBLY



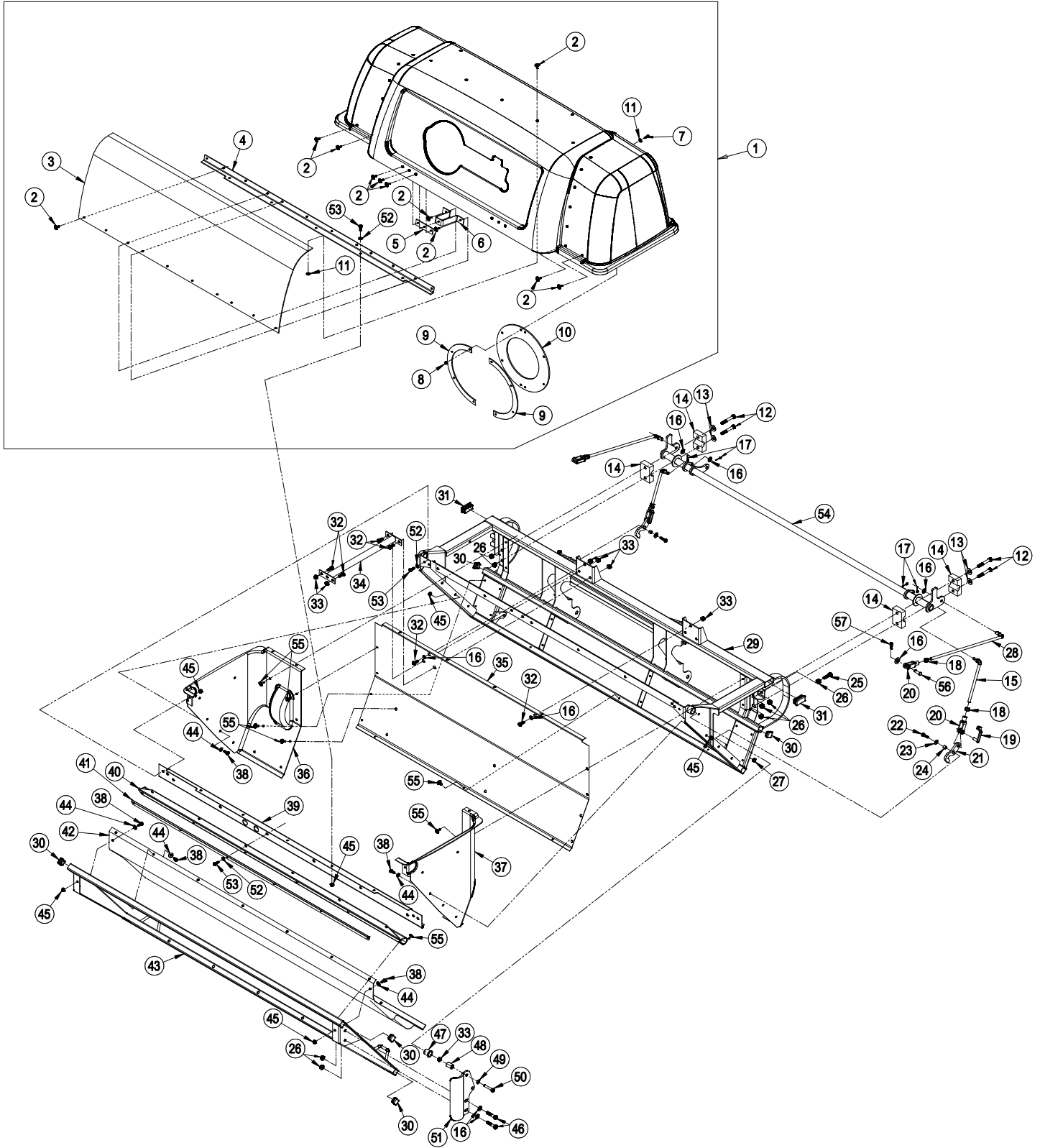
HOPPER ASSEMBLY

Item	Part No.	Description	Qty.
1+	103-2736	Asm, Hood Dump	1
2	114439	Rivet, Pop 3/16 x 1/2	33
3	103-0440	Screen, Bagger.....	1
4	103-2662-03	Support, Screen.....	1
5	103-0376	Plate, Latch Reinforce	2
6	103-0379	Bracket, Mount	2
7	3250-27	Screw, #10-24 x 3/4 CRTH	8
8	3296-2	Nut, Nyloc #10-24	8
9	103-0378	Clamp, Seal.....	2
10	103-0439	Seal, Tube	1
11	3256-61	Washer, Flat .216 x .750.....	23
12	323-12	Screw, HH 3/8-16 x 2 1/2.....	4
13	3256-4	Washer, Flat 7/16 x 2.....	4
14	103-2409	Bearing, Block Half	4
15	103-2413	Linkage, Handle.....	2
16	3256-24	Washer, Flat .406 x .813.....	12
17	3272-10	Pin, Cotter 1/8 x 3/4.....	4
18	3219-3	Nut, HH 3/8-24.....	4
19	103-2399	Pin, Spring Clevis 3/8	2
20	1-633131	Yoke, Brake Linkage.....	4
21	103-3191-03	Latch	2
22	321-6	Screw, HH 1/4-20 x 1.....	2
23	3256-55	Washer, Flat 1/4	2
24	1-633545	Spacer, Gomet	2
25	323-53	Bolt, Tap 3/8-16 x 1 3/4.....	2
26	3290-357	Nut, HHF 3/8-16	12
27	3296-42	Nut, Nyloc 1/4-20.....	2
28	103-2365	Link, Hinge	2
29	103-4272-03	Wld, Upright.....	1

Item	Part No.	Description	Qty.
30	103-3202	Cap, Tube 1 x 1.....	6
31	103-3201	Cap, Tube 1 x 2.....	2
32	322-3	Screw, HH 5/16-18 x 3/4.....	6
33	32128-20	Nut, Whizlock 5/16-18	8
34	103-2414-03	Wld, Rear Crossmember	1
35	103-2404-03	Sheet, Wall.....	1
36	103-2419	Panel, Bagger LH.....	1
37	103-2418	Panel, Bagger RH	1
38	321-3	Screw, HH 1/4-20 x 5/8	32
39	103-2710	Asm, Rear Crossmember	1
40	103-2360	Seal, Door Hinge	1
41	103-3010-03	Strap, Hold Down	1
42	103-2383	Asm, Bag & Bottom Panel	1
43	103-2737	Asm, Door Frame	1
44	3256-2	Washer, Flat .312 x .750.....	32
45	32128-33	Nut, Whizlock 1/4-20	36
46	323-6	Screw, HH 3/8-16 x 1	4
47	103-2377	Bushing	2
48	103-2361	Pin, Hinge Pivot.....	2
49	3256-23	Washer, Flat .344 x .688.....	2
50	322-9	Screw, HH 5/16-18 x 1 3/4.....	2
51	103-3332-03	Arm, Hinge LH.....	1
	103-3331-03	Arm, Hinge RH (Not Shown).....	1
52	3256-24	Washer, Flat .281 x .625.....	22
53	321-4	Screw, HH 1/4-20 x 3/4	22
54	103-2412-03	Wld, Intermediate Link	1
55	114439	Rivet, Pop 3/16 x 1/2	23
56	1-808285	Pin, Clevis	2
57	1-806003	Pin, Hair	2

+ Includes items 2 through 11 and large Exmark decal.

HOPPER ASSEMBLY



WEIGHT AND BELT DRIVE COMPONENTS

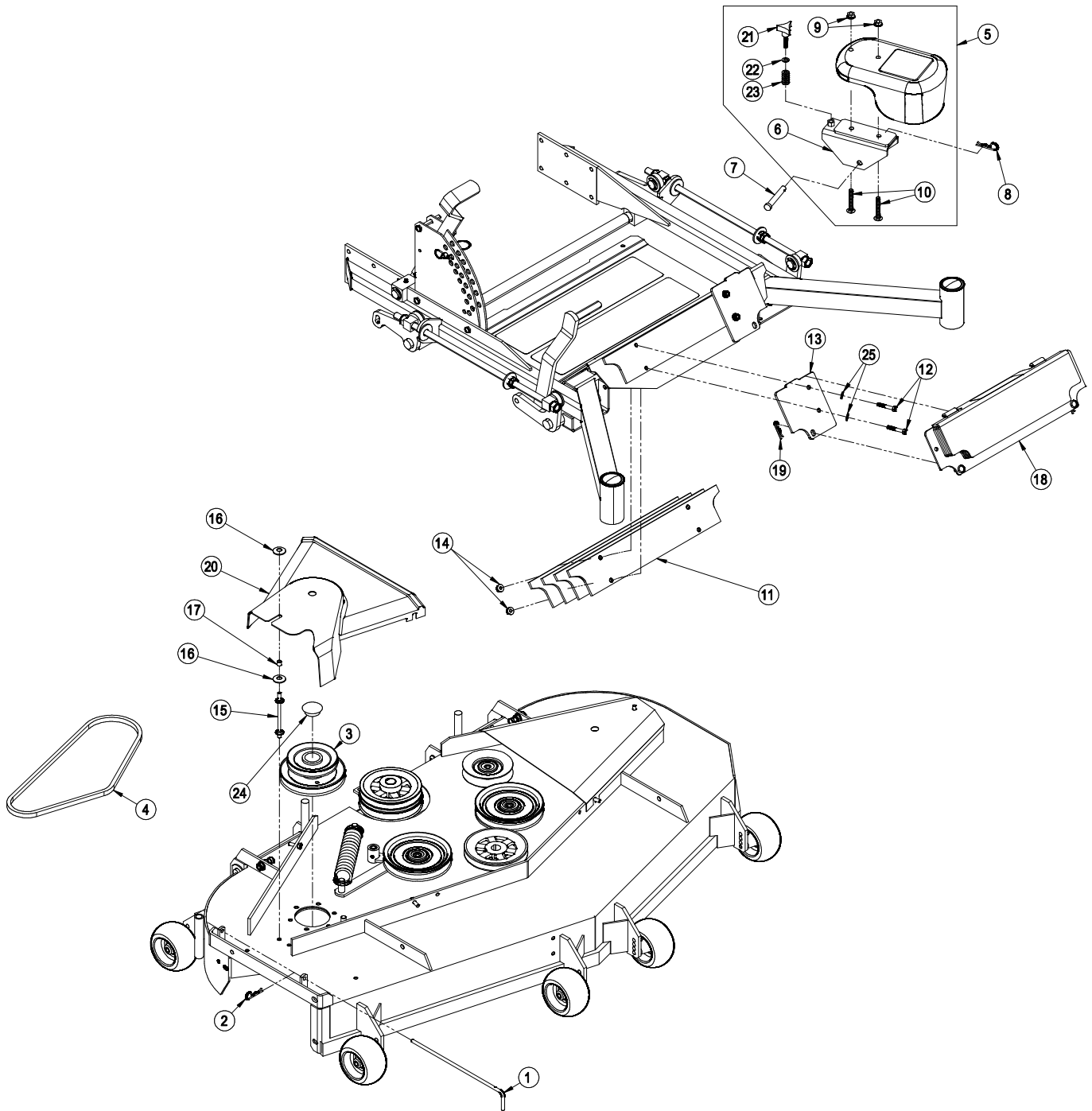
Ref. No.	Part No.	Description	LAZER		LAZER XP	
			60"	72"	60"	72"
1	103-0453	Pin, Chute Pivot	1	1	1	1
2	1-806003	Hairpin, Cotter	1	1	1	1
3	103-2792	Sheave, Jackshaft, LZUV 60	1		1	
	103-2796	Sheave, Jackshaft, LZUV 72		1		1
4	103-0866	Belt, Blower Drive 60	1		1	
	103-0867	Belt, Blower Drive 72		1		1
5*	103-0899	Weight, 70lb w/ 1.5" bracket	1			
	103-0900	Weight, 70lb w/ 2.0" bracket	1			
	103-0902	Weight, 43lb w/ 2.0" bracket		2	2	2
6	103-2180-01	Wld, Weight Bracket 2.0	1	2	2	2
	103-2181-01	Wld, Weight Bracket 1.5	1			
7	283-69	Pin, Clevis	2	2	2	2
8	1-806005	Hairpin, Cotter	2	2	2	2
9	3290-357	Nut, Whizlock 3/8-16	4	4	4	4
10	103-2500	Screw, Sq Head 3/8-16x2.5		4	4	4
	103-2189	Screw, Sq Head 3/8-16x4.0	4			
11	103-1425-01	Plate, Weight	5	5	5	5
12	322-10	Screw, HH 5/16 -18x2.0	4	4	4	4
13	103-5856-01	Plate, Weight Mounting	2	2	2	2
14	32128-20	Nut, Whizlock 5/16-18	4	4	4	4
15	103-1028	Stud, Belt Shield	1	1	1	1
16	1-603610	Washer, Spring Disc 7/16	2		2	
17	1-633545	Spacer, Grommet	1		1	
18	103-5866	Asm, Weight Plate W/Decals	1	1	1	1
19	9335124	Hairpin, Cotter	2	2	2	2
20	103-0735	Belt Cover 60"	1		1	
	103-0736	Belt Cover 72"		1		1
21	103-2187	Knob	2	2	2	2
22	3256-24	Washer	2	2	2	2
23	103-2188	Spring	2	2	2	2
24	103-1279	Plug	1	1	1	1
25	3256-23	Washer, Flat 5/16	4	4	4	4
26◆	1-543610	Washer, 1/4	2			
27◆	323-49	Bolt, Tap 3/8-16x3.25	2			
31◇	103-5865	Template, Drill	1	1	1	1

* Includes items 6, 9, 10, 21, 22, 23, weight and decal.

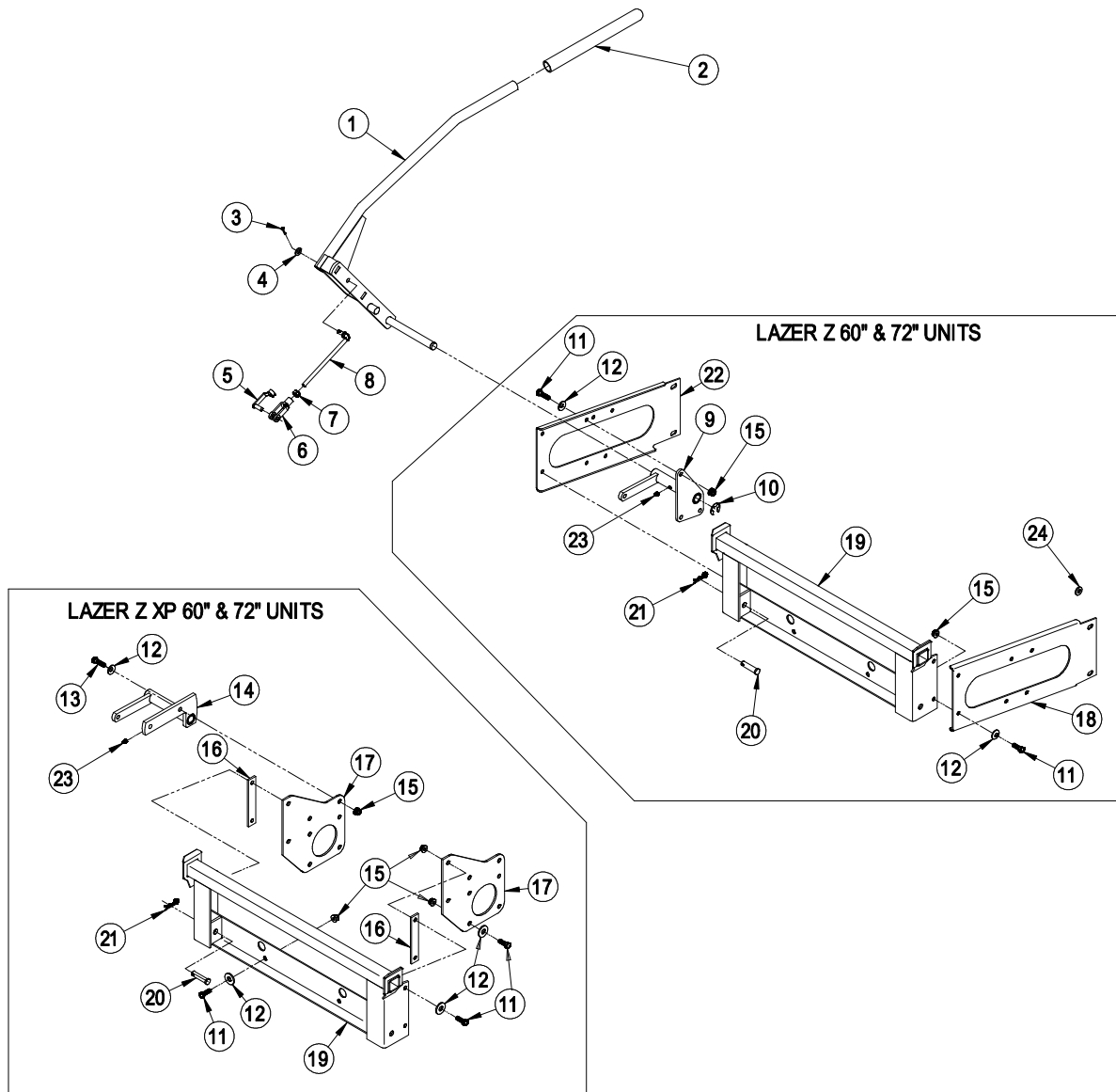
◆ Items Not Shown. Used for mounting the bagger mount weldment to the rear of the units with Serial Numbers less than 190,000.

◇ Item not shown. Use to drill holes for front frame weights.

WEIGHT AND BELT DRIVE COMPONENTS



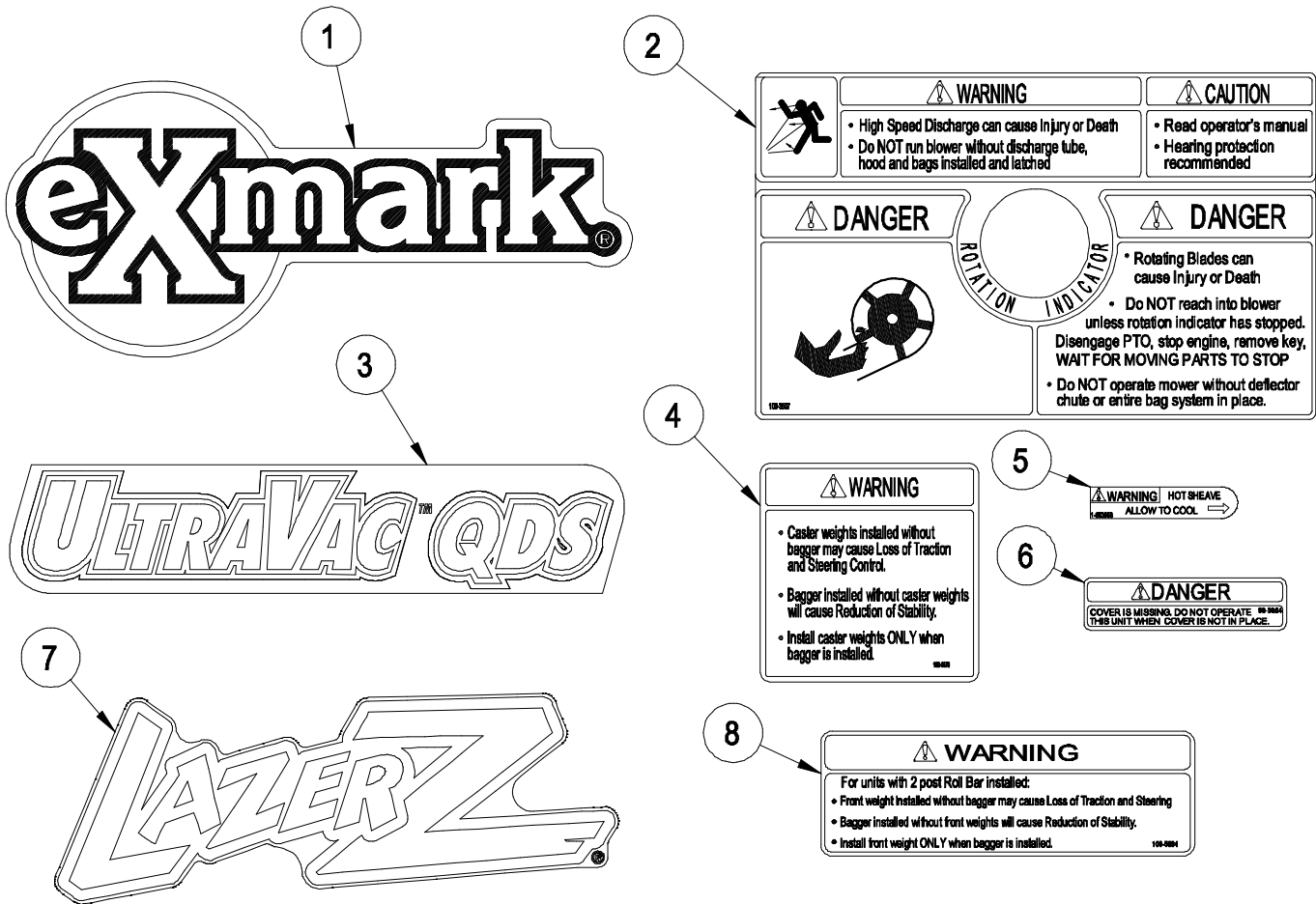
HITCH and HANDLE ASSEMBLY



Item	Part No.	Description	Qty.
1	103-4745	Asm, Handle W/Grip	1
2	103-3005	Grip, Handle	1
3	3272-10	Pin, Cotter .125 x .75	1
4	3256-24	Washer, Flat .406 x .813	1
5	103-2399	Pin, Spring Clevis 3/8	1
6	1-633131	Yoke, Linkage Brake	1
7	3219-3	Nut, HH 3/8-24	1
8	103-2413	Link, Handle	1
9	103-5615-03	Wld, Handle Mount (LZ)	1
10	32151-48	E-Ring	1
11	323-6	Screw, HH 3/8-16x1 (LZ)	11
	323-6	Screw, HH 3/8-16x1 (XP)	14
12	98-5975	Washer, Spring Disc (LZ)	11
	98-5975	Washer, Spring Disc (XP)	16

Item	Part No.	Description	Qty.
13	323-7	Screw, HH 3/8-16x1.25 (XP)	2
14	103-5636-03	Wld, Handle Mount (XP)	1
15	3290-357	Nut, Whizlock 3/16-16 (LZ)	11
	3290-357	Nut, Whizlock 3/16-16 (XP)	16
16	103-1155-03	Spacer (XP)	2
17	103-2975-03	Plate, Bagger Mount (XP)	2
18	103-0399-03	Bracket, Frame RH (LZ)	1
19	103-0429-03	Wld, Bagger Mount	1
20	283-69	Pin, Clevis	2
21	1-806005	Pin, Hair	2
22	103-5612-03	Bracket, Frame LH (LZ)	1
23	302-19	Zerk, 1/4-28 Straight	1
24	71-9310	Spacer (LZ)	6

DECALS



Item	Part No.	Description	Qty.
1	103-0438	Decal, Exmark	1
2	103-3507	Decal, Warning	1
3	103-3302	Decal, Ultra Vac QDS	1
4	103-0878	Decal, Caster Weights	3

Item	Part No.	Description	Qty.
5	1-653558	Decal, Hot Sheave	1
6	98-5954	Decal, Missing Cover.....	1
7	103-3113	Decal, Lazer	1
8	103-5894	Decal, Front Weight.....	1

**SEE EXMARK'S COMPLETE
LINE OF PRODUCTS FOR TURF CARE**

LAZER Z[®]

LAZER Z[®] HP

LAZER Z[®] XP

LAZER Z[®] CT

TURF RANGER[®]

VIKING HYDRO

TURF TRACER[®]

TURF TRACER[®] HP

METRO[®]

METRO[®] HP

ULTRA VAC[™]

ULTRA VAC[™] QDS

GRASS CATCHER

MICRO-MULCH[™] ACCESSORY

SELF STEERING SULKY

©1997 - 2003
EXMARK MFG. CO. INC.
INDUSTRIAL PARK BOX 808
BEATRICE, NE 68310
ALL RIGHTS RESERVED

PART NO. 103-5877
(402) 223-6300
FAX (402) 223-5489

PRINTED IN U.S.A.

