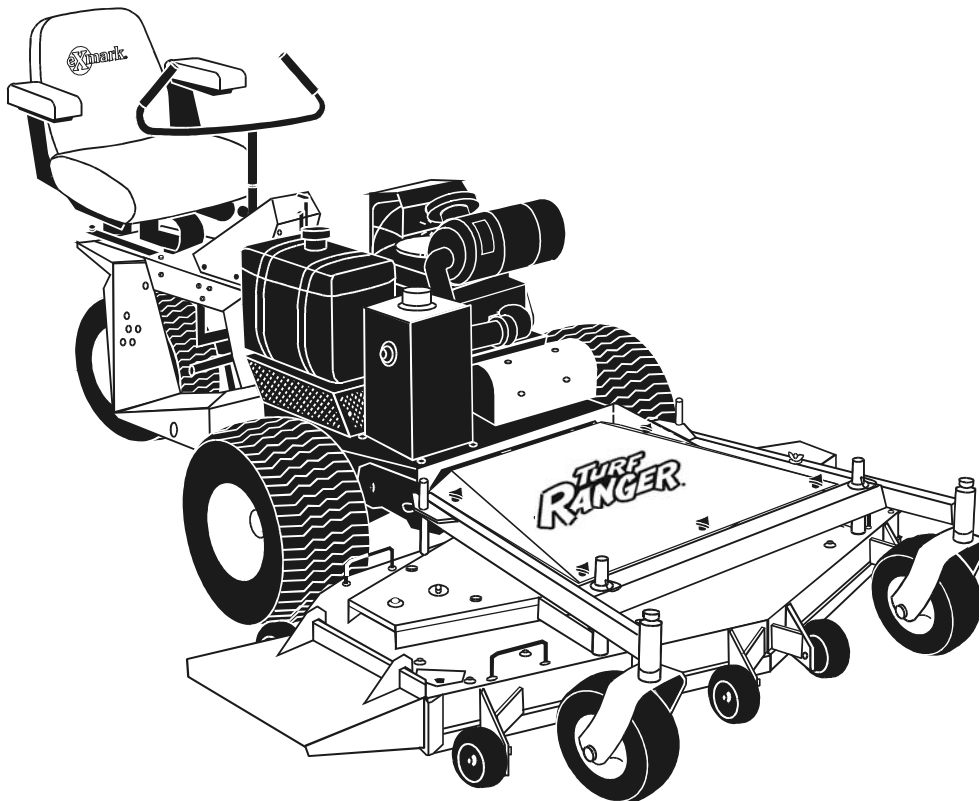




For Turf Ranger
Serial Nos. 440,000 & Higher
and
FMD524 & FMD604
Serial Nos. 440,000 & Higher



PARTS MANUAL

TURF RANGER

CONGRATULATIONS on the purchase of your new Exmark mower. This product has been carefully designed and manufactured to give you a maximum amount of dependability and years of trouble-free operation. If additional information is needed, or should you require trained mechanic service, contact your authorized Exmark equipment dealer or distributor. If you need to order replacement parts from your dealer, always give the model number and serial number of your mower as well as the part number, description and quantity of the part needed.

The Serial No. plate of the tractor is on the right hand rear surface of the engine deck below the fuel tank. The Serial No. plate for a FMD524 & FMD604 is on the rear right hand belt cover support under the front frame. For Ease of ordering and reference, we suggest that you record the information requested in the following identification table.

Place Tractor Model No. and Serial No. Label Here
(Included in Literature Pack)
or Fill in Below

Tractor Model No. _____

Tractor Serial No. _____

Place Mower Deck Model No. and Serial No. Label Here
(Included in Literature Pack)
or Fill in Below

Mower Deck Model No. _____

Mower Deck Serial No. _____

Engine Model No. and Spec. No. (Code)

Engine Serial No. (E/No)

Date Purchased

EXMARK PARTS PLUS® PROGRAM

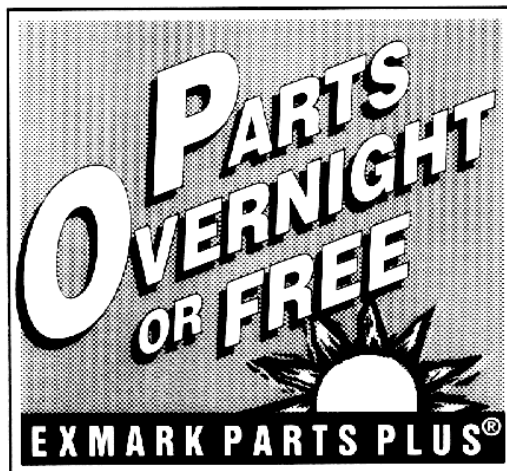
EFFECTIVE DATE: September 1, 1995

Program

If your Exmark dealer does not have the Exmark part in stock, Exmark will get the parts to the dealer the next business day or the part will be FREE* Guaranteed!!

How the Program Works

1. If dealer does not have part in stock for a "down" unit at the time of request by customer, the dealer contacts his distributor by 1:00 p.m., local time, and requests Exmark Parts Plus® shipment of six (6) line items or less.
2. Distributor ships part(s) to dealer or customer, as requested by dealer, same day, overnight UPS. Distributor bills dealer for part and freight charges where applicable.
3. If distributor does not have the part(s) in stock to satisfy Exmark Parts Plus® order, he contacts Exmark by 3:00 p.m., central time, with an Exmark Parts Plus® order of six (6) line items or less.
4. If order is received by 3:00 p.m. central time, Exmark ships part(s) direct to dealer or customer, as requested by distributor, same day, overnight UPS. Exmark bills the distributor for parts and shipping charges, where applicable.
5. The customer pays for the part and freight if it is shipped under the Exmark Parts Plus® and if it arrives in accordance to the program.
6. Who pays for the part and freight if it fails to arrive overnight in accordance to the program?
 - A. Under any circumstance the customer does not pay.
 - B. If the part does not arrive overnight due to:
 1. The dealer not submitting the Exmark Parts Plus® order to his Exmark distributor by 1:00 p.m., the dealer pays for the part and freight.
 2. The Distributor being unable to ship the part the same day or not submitting the Exmark Parts Plus® order to Exmark by 3:00 p.m., central time, the Distributor pays for the part and freight.
 3. Exmark being unable to ship the part and the Exmark parts order is received by 3:00 p.m., central time, Exmark pays for the part and freight.
 4. If the part does not arrive overnight due to the shipper (UPS), the shipper pays for the freight and Exmark pays for the part.



The following restrictions apply -- The Exmark Parts Plus® Program is available only through participating Exmark Dealers and applies only to orders submitted on this program Monday through Thursday. Parts Plus service is available only in the 48 contiguous United States. UPS has initiated a Saturday delivery program to many areas of the continental United States and can be requested for an overnight shipment on Friday to be delivered Saturday. The next day air charge, plus the Saturday delivery fee will be the responsibility of the purchaser. Exmark Mfg. will assume no responsibility for Saturday delivery shipments. To qualify, all Exmark Parts Plus® orders must be received by Exmark by 3:00 p.m., central time. Orders must be six (6) line items or less. Exclusions from the Exmark Parts Plus® Program are: Any wholegood or accessory in its entirety, engines and engine replacement parts, 5-speed Peerless transmissions and 5-speed transaxles, hydraulic or hydrostatic wheel motors, cutter decks and engine decks or any item exceeding United Parcel Service size and weight restrictions.

Due to UPS restrictions, aerosol spray paint is considered a hazardous material and cannot be shipped via UPS next day or Second Day Air.

Exmark Manufacturing stocks a limited supply of parts for transaxles, pumps and wheel motors. These parts can be ordered for Next Day Air shipment but will not be guaranteed per the Parts Plus Program.



**READ OPERATOR'S MANUAL BEFORE
OPERATING OR SERVICING EXMARK EQUIPMENT.**

TABLE OF CONTENTS

<u>Description</u>	<u>Page</u>
52" and 60" Deck Support FMD524 and FMD604	7
52" Mower Deck FMD524	3-4
60" Mower Deck FMD604	5-6
Axles and Hydraulics	8
Decals	16
Electrical Diagram	19
Electrical Group	17-18
Engine Deck Group	9-10
Motion Controls	11
Parking Brake	12
Rider Frame and Steering	13-14
Seat assembly and Lift Actuator	15

52" DECK GROUP FMD524

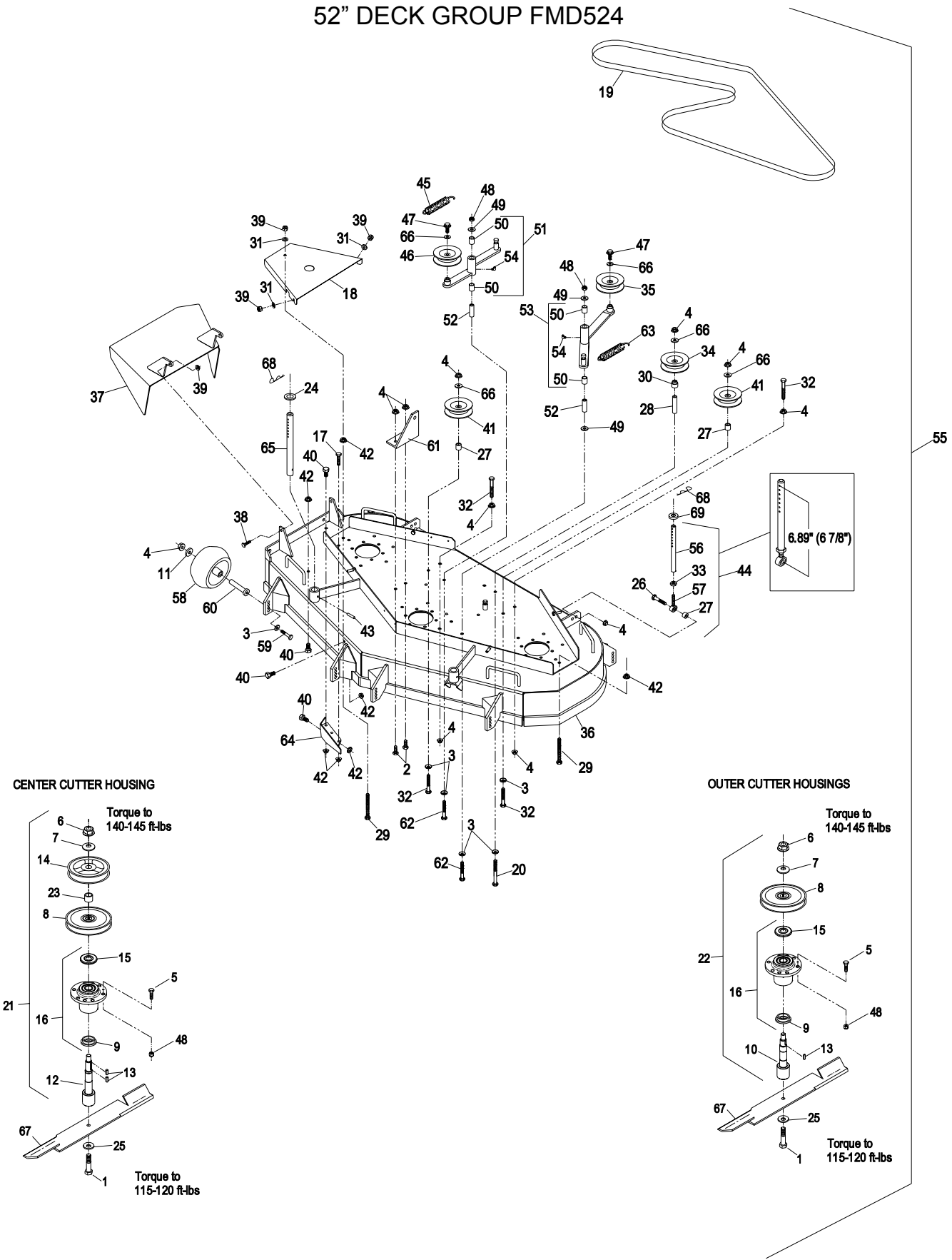
Item	Part No.	Description	Qty.
1	103-0862	Capscrew, 5/8-18 x 2 3/4, Gr8	3
2	323-6	Capscrew, 3/8-16 x 1	2
3	98-5975	Washer, Disc Spring 3/8.....	11
4	3290-357	Nut, Whizlock 3/8-16	17
5	323-7	Capscrew, 3/8-16 x 1 1/4	18
6	3217-46	Nut, HH 3/4-16 Heavy	3
7	103-2802	Washer, Spring Disc.....	3
8+	103-2794	Sheave, Blade Drive.....	3
9	103-2535	Spacer, Guard Bottom.....	3
10+	103-2785	Spindle, Outer Blade (Short)	2
11	1-373034	Washer, Pivot.....	6
12+	103-2786	Spindle, Center Blade (Long).....	1
13	103-2982	Key, 1/4 x 3/16 x 3/4.....	4
14+	103-2793	Sheave, Mower Drive	1
15+	103-1330	Guard, Bearing Top.....	3
16+	103-2547	Housing W/Bearings.....	3
17	322-3	Capscrew, 5/16-18 x 3/4	1
18	103-2969-01	Cover, Deck.....	2
19	103-2329	Belt, Blade Drive.....	1
20	323-23	Capscrew, 3/8-16 x 4.5	1
21●	103-3199	Housing, Cutter Complete (Center).....	1
22●	103-3200	Housing, Cutter Complete (Outer).....	2
23	103-3209	Spacer, Tube	1
24	1-413425	Spacer	2
25	103-0865	Washer, Blade Bolt Hvy	3
26	323-9	Capscrew, 3/8-16 x 1 3/4	2
27	1-603050	Spacer	4
28	1-633988	Spacer	1
29	1-800017	Bolt, Tap 5/16-18 x 3 1/4	2
30	1-513791	Bushing	1
31	3256-3	Washer, 5/16 Flat	6
32	323-12	Capscrew, 3/8-16 x 2 1/2	4
33	3219-3	Nut, Hex 3/8-24	2
34	1-603805	Idler.....	1
35	1-613098	Idler.....	1
36	103-2335	Deck, 103-2321-01 W/ Decals	1

Item	Part No.	Description	Qty.
37	103-2348-01	Chute, Discharge	1
38	322-5	Capscrew, 5/16-18 x 1	2
39	3296-29	Nut, Nyloc 5/16-18	8
40	322-2	Capscrew, 5/16-18 x 5/8	5
41	1-303516	Pulley, V-Idler.....	2
42	32128-20	Nut, Whizlock 5/16-18	8
43	1-806332	Roll Pin, 1/4 x 1-1/2.....	2
44*	1-414521	Link Assy.....	2
45	1-603413	Spring, Extension	1
46	1-603497	Pulley, Idler	1
47	3234-11	Screw, Whizlock 3/8-16 x 1	2
48	3296-39	Nut, Nyloc 3/8-16	20
49	3256-4	Washer, 3/8.....	3
50	1-513034	Bearing, Pivot.....	4
51	1-602604	Idler Arm Assy W/Bearings	1
52	1-603384	Bushing, Idler Pivot.....	2
53	1-602865	Idler Arm, W/ Bearings Deck Drive	1
54	302-40	Zerk, 1/4-28 (90°).....	2
55	103-2327	Complete Deck Assembly	1
56	1-413525	Link, Rear Deck Support.....	2
57	1-613204	Balljoint	2
58◆	1-603299	Roller, Anti Scalp	6
59	98-5961	Capscrew, 3/8-16 x 4 Gr8	6
60	1-603602	Bushing, Roller.....	6
61	1-603620-01	Bracket, Spring Anchor	1
62	1-800805	Capscrew, 3/8-16 x 3-1/2 Gr8.....	2
63	1-603414	Spring, Extension	1
64	1-602913-01	Baffle.....	1
65	1-603001	Rod, Deck Support.....	2
66	3256-24	Washer, 3/8 SAE Flat.....	5
67	103-2528	Blade, Notched.....	3
	103-1578	Blade, Solid	3
	103-2508	Blade, Low Lift.....	3
▲	103-2518	Blade, Mulching	3
68	1-806009	Hairpin, Cotter.....	4
69	1-323539	Spacer.....	2

Exmark red touch up spray paint - P/N 1-850337.

- ✚ Apply Mobil HTS grease (P/N 103-5217 1.5 oz packet) (or a food-grade anti-sieze) between the spindles & bearings and spindles & sheaves and under top bearing guard. DO NOT use a copper or nickel based anti-sieze.
- Complete cutter housings also include items #1 & #25.
- * Link assembly nominal length is 6.89" (or approx. 6 7/8") between center of ball joint & center of furthest hole. See diagram on next page. Initially adjust both links to this dimension, then adjust to where both links are equally supporting rear of mower deck by lengthening one link and shortening th other by an equal amount.
- ◆ Kit 103-3168 includes antiscalp roller, bushing, & mounting hardware.
- ▲ Requires installation of Micro-Mulch accessory for proper mulching. Mulch kit P/N MK524.

52" DECK GROUP FMD524



60" DECK GROUP FMD604

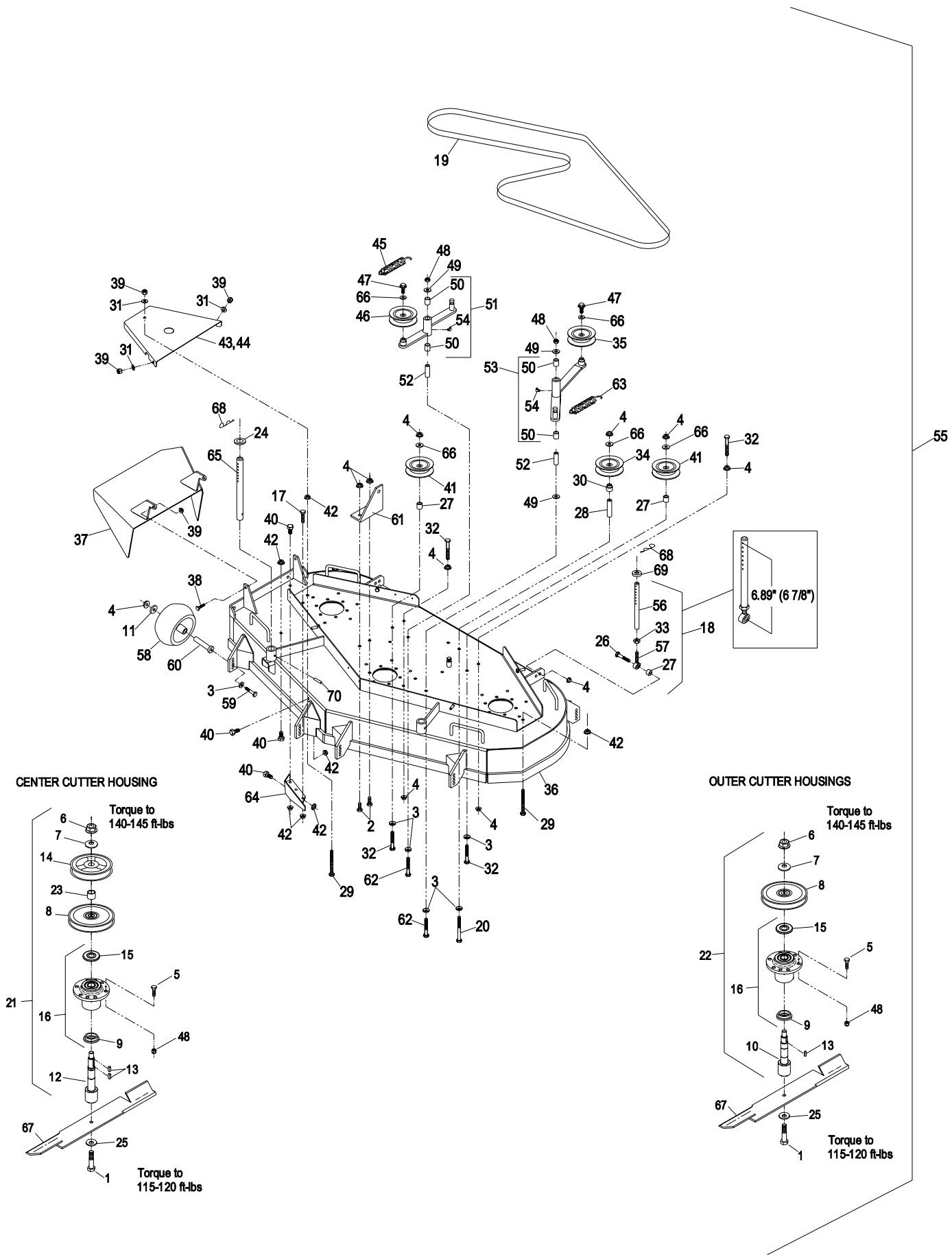
Item	Part No.	Description	Qty.
1	103-0862	Capscrew, 5/8-18 x 2 3/4, Gr8	3
2	323-6	Capscrew, 3/8-16 x 1	2
3	98-5975	Washer, Disc Spring 3/8.....	11
4	3290-357	Nut, Whizlock 3/8-16	17
5	323-8	Capscrew, 3/8-16 x 1 1/2	18
6	3217-46	Nut, HH 3/4-16 Heavy	3
7	103-2802	Washer, Spring Disc.....	3
8+	103-2794	Sheave, Blade Drive.....	3
9	103-2535	Spacer, Guard Bottom.....	3
10+	103-2785	Spindle, Outer Blade (Short)	2
11	1-373034	Washer, Pivot.....	6
12+	103-2786	Spindle, Center Blade (Long).....	1
13	103-2982	Key, 1/4 x 3/16 x 3/4.....	4
14+	103-2791	Sheave, Mower Drive	1
15+	103-1330	Guard, Bearing Top.....	3
16+	103-2547	Housing W/Bearings.....	3
17	322-3	Capscrew, 5/16-18 x 3/4	1
18*	1-414521	Link Assy	2
19	1-633173	Belt, Blade Drive.....	1
20	323-23	Capscrew, 3/8-16 x 4.5	1
21●	103-3205	Housing, Cutter Complete (Center).....	1
22●	103-3200	Housing, Cutter Complete (Outer).....	2
23	103-3209	Spacer, Tube	1
24	1-413425	Spacer	2
25	103-0865	Washer, Blade Bolt Hvy	3
26	323-9	Capscrew, 3/8-16 x 1 3/4	2
27	1-603050	Spacer	4
28	1-633988	Spacer	1
29	1-800017	Bolt, Tap 5/16-18 x 3 1/4	2
30	1-513791	Bushing	1
31	3256-3	Washer, 5/16 Flat	6
32	323-12	Capscrew, 3/8-16 x 2 1/2	4
33	3219-3	Nut, Hex 3/8-24	2
34	1-603805	Idler.....	1
35	1-613098	Idler.....	1
36	103-2278	Deck, 103-2267-01 W/ Decals	1
37	103-2349-01	Chute, Discharge.....	1

Item	Part No.	Description	Qty.
38	322-5	Capscrew, 5/16-18 x 1	2
39	3296-29	Nut, Nyloc 5/16-18	8
40	322-2	Capscrew, 5/16-18 x 5/8	5
41	1-303516	Pulley, V-Idler.....	2
42	32128-20	Nut, Whizlock 5/16-18	8
43	103-2967-01	Shield, Belt RH.....	1
44	103-2968-01	Shield, Belt LH	1
45	1-603413	Spring, Extension	1
46	1-603497	Pulley, Idler	1
47	3234-11	Screw, Whizlock 3/8-16 x 1.....	2
48	3296-39	Nut, Nyloc 3/8-16	20
49	3256-4	Washer, 3/8.....	3
50	1-513034	Bearing, Pivot.....	4
51	1-602604	Idler Arm Assy W/Bearings	1
52	1-603384	Bushing, Idler Pivot.....	2
53	1-602865	Idler Arm, W/ Brngs Deck Drive	1
54	302-40	Zerk, 1/4-28 (90°).....	2
55	103-2279	Complete Deck Assy.....	1
56	1-413525	Link, Rear Deck Support.....	2
57	1-613204	Balljoint	2
58◆	1-603299	Roller, Anti Scalp	6
59	98-5961	Capscrew, 3/8-16 x 4 Gr8	6
60	1-603602	Bushing, Roller.....	6
61	1-603620-01	Bracket, Spring Anchor	1
62	1-800805	Capscrew, 3/8-16 x 3 1/2 Gr8	2
63	1-603414	Spring, Extension	1
64	1-602913-01	Baffle	1
65	1-603001	Rod, Deck Support.....	2
66	3256-24	Washer, 3/8 SAE Flat.....	5
67	103-2530	Blade, Notched.....	3
	103-1580	Blade, Solid	3
	103-2510	Blade, Low Lift.....	3
▲	103-0301	Blade, Mulching	3
68	1-806009	Hairpin, Cotter.....	4
69	1-323539	Spacer.....	2
70	1-806332	Roll Pin, 1/4 X 1-1/2	2

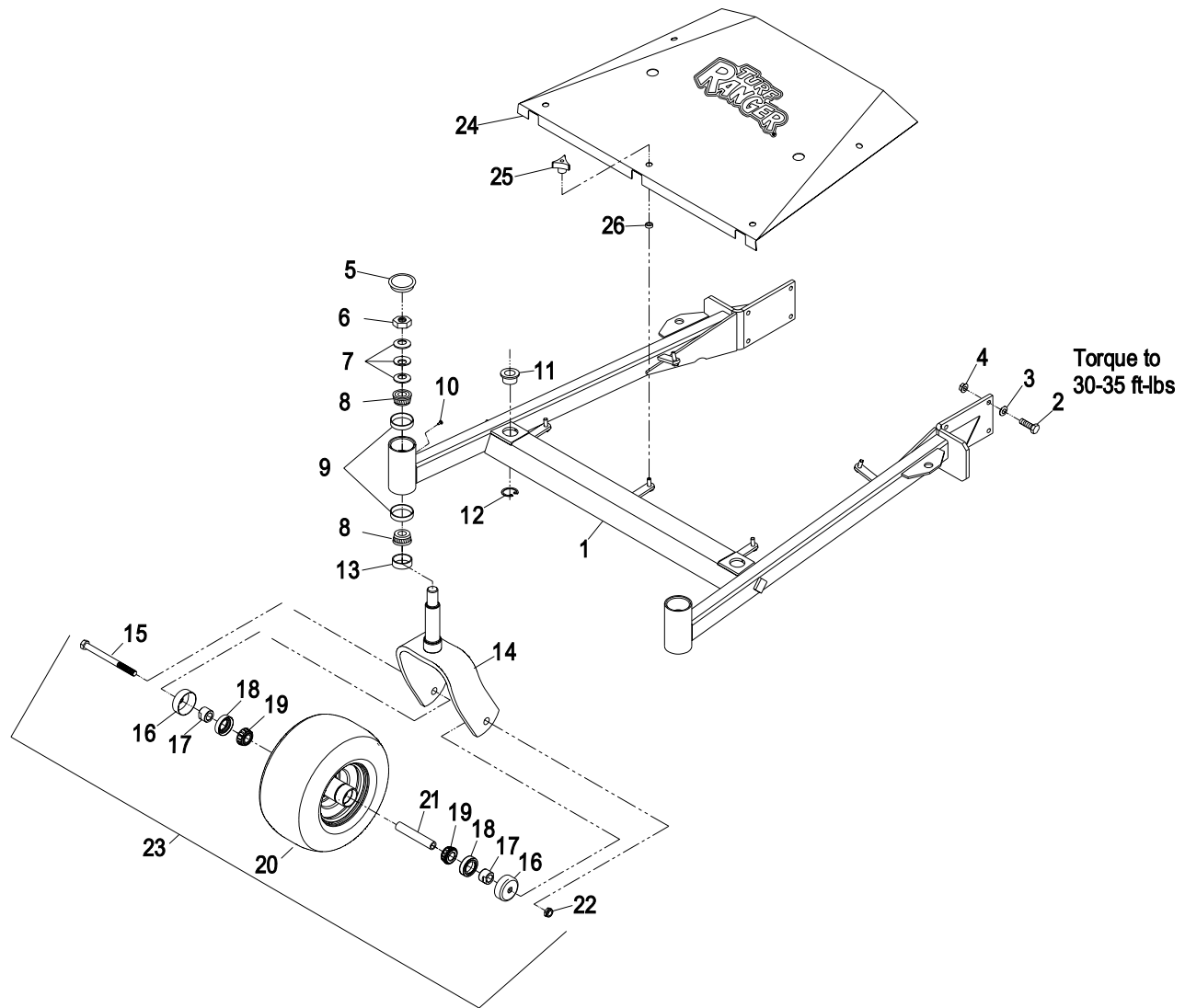
Exmark red touch up spray paint - P/N 1-850337.

- ✦ Apply Mobil HTS grease (P/N 103-5217 1.5 oz packet) (or a food-grade anti-sieze) between the spindles & bearings and spindles & sheaves and under top bearing guard. DO NOT use a copper or nickel based anti-sieze.
- Complete cutter housings also include items #1 & #25.
- * Link assembly nominal length is 6.89" (or approx. 6 7/8") between center of ball joint & center of furthest hole. See diagram on next page. Initially adjust both links to this dimension, then adjust to where both links are equally supporting rear of mower deck by lengthening one link and shortening th other by an equal amount.
- ◆ Kit 103-3168 includes antiscalp roller, bushing, & mounting hardware.
- ▲ Requires installation of Micro-Mulch accessory for proper mulching. Mulch kit P/N MK604.

60" DECK GROUP FMD604



52" and 60" DECK SUPPORT FMD524 and FMD604



Item	Part No.	Description	Qty.
1▲	103-1895	Support, Deck (103-4959-01) (52")	4
▲	103-1896	Support, Deck (103-4960-01) (60")	4
2	323-7	Capscrew, 3/8-16 x 1 1/4	8
3	98-5975	Washer, Disc Spring 3/8	8
4	3290-357	Nut, Whizlock 3/8-16	8
5	103-4882	Cap, Grease	2
6	3296-51	Nut, Nyloc 3/4-10	2
7	1-633508	Washer, Spring Disk	6
8	1-543509	Bearing, Cone Tapered Roller	4
9	1-543508	Bearing, Cup Tapered Roller	4
10	1-811010	Plug	2
11	1-513336	Bushing, Deck Support	2
12	32120-33	Ring, Retaining (External)	2
13	1-543511	Seal, Grease	2
14	103-1891-01	Fork, Caster	2

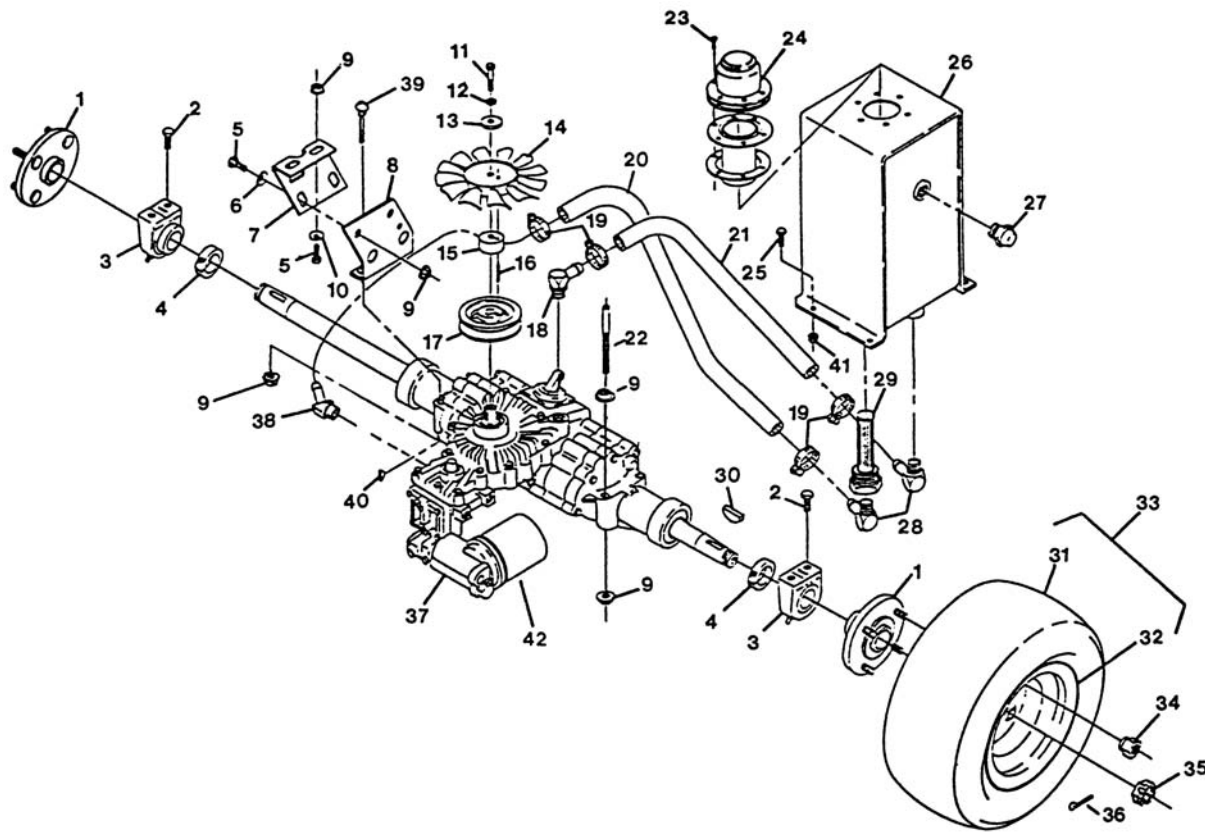
Item	Part No.	Description	Qty.
15	325-20	Capscrew, 1/2-13 x 6	2
16	103-2768	Guard	4
17+	103-3051	Spacer, Nut	4
18	103-0063	Seal, Caster	4
19	1-633585	Bearing, Cone	4
20	1-513032	Tire, 11 x 4-5 4 Ply	2
21	103-3157	Axle, Caster	2
22	3296-45	Nut, Nyloc 1/2-13 Thin	2
23	103-3800	Asm, Wheel & Tire With Axle	2
24	103-2333	Shield, Belt (103-2319-01) W/Decal (52")	1
	103-2276	Shield, Belt (103-2273-01) W/Decal (60")	1
25	1-323385	Knob, 3 Prong	5
26	1-323417	Washer, Belt Cover Mounting	5

Exmark red touch up spray paint - P/N 1-850337.

➕ Use Pro-Lock, Nut Type (P/N 1-840022, .5ml tube) on spacer nut, Item #17.

▲ Includes frame weldment plus items #5, #9, #10, #11, #12 and #13.

AXLE and HYDRAULICS



Item	Part No.	Description	Qty.
1	1-602997	Hub, Wheel W/Studs	2
	1-633926	Stud, 1/2-20	8
2	3234-12	Screw, Whizlock 3/8-16 x 3/4	4
3+	1-543485	Bearing, Pillow Base	2
*	1-840022	Pro-Lock, Nut Type (.5cc Tube) Use On Setscrews In Bearings	
4+	1-373021	Clamp, Collar (1")	2
5	323-4	Capscrew, 3/8-16 x 3/4	4
6	98-5975	Washer, Disc Spring 3/8	2
7	1-543996-01	Stabilizer, Axle (Upper)	1
8	1-543476-01	Stabilizer, (Axle Lower)	1
9	3290-357	Nut, Whizlock 3/8-16	10
10	3256-4	Washer, 3/8 Std. Flat	2
11	321-9	Capscrew, 1/4-20 x 1-1/2	1
12	1-805004	Lockwasher, 1/4 Hvy Spring	1
13	1-503033	Washer, Pulley Retainer	1
14	1-543359	Fan, 7" OD/10 Blade	1
15	1-543317	Spacer, Fan	1
16	1-806328	Rollpin, 7/32 x 7/8	1
17	1-543928	Pulley, Cast Iron	1
18	1-543887	Elbow, 90°	1
*	1-603919	O-Ring	1
19	1-543892	Hose Clamp	4
20	1-543930	Hose, 16.5 Push Lok	1
21	1-543931	Hose, 8.0 Push Lok	1

Item	Part No.	Description	Qty.
22	1-543054	Pin, Guide	2
23	1-802002	Screw, 10-32x1/2 Thrd Ctng	6
24	1-543541	Breather, Filler & Cap	1
25	322-3	Capscrew, 5/16-18 x 3/4	1
26	1-542913-03	Tank, Hydraulic	1
27	1-543894	Oil Eye, Hyd Tank	1
28	1-543889	Elbow, 90°	2
29	1-543864	Suction Strainer	1
30	1-807019	Key, Woodruff 1 x 1/4	2
31	1-543680	Tire, 20 x 10.00-8	2
32	1-513042	Rim	2
33	1-543396	Tire And Wheel Assy	2
34	242-50	Nut, Wheel 1/2-20	8
35	32136-5	Nut, Slotted 3/4-16	2
36	1-806800	Pin, Cotter, 9/64 x 1-1/2	2
37	1-543055	Transaxle 851-114 Series	1
38	1-543888	Elbow, 45°	1
*	1-603919	O-Ring	1
39	1-807525	Bolt, 3/8-16x2-3/4 Carriage	2
*	1-840022	Pro-Lock, Nut Type (.5cc tube) Use On Threads.	
40	3257-32	Key, Woodruff 3/8 x 5/16	1
41	32128-20	Nut, Whizlock 5/16-18	4
42	1-513211	Element, Oil Filter	1

Exmark black touch up spray paint - Gloss black.

Exmark red touch up spray paint - P/N 1-850337.

* Not Illustrated.

+ Apply antisieze compound to bore.

ENGINE DECK GROUP

Item	Part No.	Description	Qty.
1	1-303426	Fuel Line, 15"	1
2	1-303306	Fuel Line, 10".....	1
3	1-603770	Valve, Fuel Line.....	1
4◆	103-2605	Fitting, Fuel Bulkhead W/Screen	1
	103-2784	O-Ring	1
5	322-9	Capscrew, 5/16-18 x 1-3/4	4
6●	103-3526	Asm, Fuel Tank	1
7	1-303077	Clamp, Gas Line	4
8	1-303465-03	Strap, Fuel Tank.....	2
9	1-801062	Screw, 1/4-20 x 2-1/2	2
10	1-303315	Gas Tank Pad.....	2
11	1-513508	Cap, Fuel Tank	1
12	1-542045	Screen, Air Intake	1
13	1-809024	Nut, Retainer 1/4-20	1
14	1-543791	Screw, Thumb 1/4-20 x 3/4	1
15	323-4	Capscrew, 3/8-16 x 3/4	4
16	3290-357	Nut, Flange 3/8-16.....	7
17	323-10	Capscrew, 3/8-16 x 2	1
18	1-413099	Pulley, Idler 5 3/4 OD	1
19	1-542958-01	Cross Member	1
20	1-543879	Bushing, Idler	1
21	1-542069-03	Mount, Battery	1
22	32128-20	Nut, Whizlock 5/16-18	9
23	322-3	Capscrew, 5/16-18 x 3/4	3
24	1-543882	Bolt, Hold Down.....	2
25	323-11	Capscrew, 3/8-16 x 2-1/4	2
26	1-543792	Wingnut, Nyloc 1/4	4
27	1-543296	Grommet, Fuel Line.....	1
28	1-633630	Grommet.....	2
29	1-633545	Spacer, Grommet	2
30	1-613235	Washer	4
31	322-14	Capscrew, 5/16-18 x 3	1
32	1-603401	Spacer	1
33	1-633543-03	Strap, Clutch.....	1
34	1-543286	Grommet.....	1
35	1-805005	Washer, Lock 5/16	1
36	322-6	Capscrew, 5/16-18 x 1-1/4	1

Item	Part No.	Description	Qty.
37	1-303335	Plastic Tie, Large	2
38	103-3442	Cover, Batt (1-543891) W/Decal	1
39	1-807259	Key, 1/4 x 1/4 x 1	1
40	1-543929	Pulley, Engine	1
41	1-551061	Clutch, Elec W/Ties(Warner).....	1
42	1-603609	Bushing, Clutch Keeper	1
43	1-603610	Washer, Spring Disc 7/16	2
44◆	3212-12	Capscrew, 7/16-20 x 3	1
45	1-543523	Belt, Deck Drive (60" Deck)	1
	1-543749	Belt, Deck Drive (52" Deck)	1
46	1-553053	Spacer.....	1
47	1-303021	Grip (Drive Lever).....	2
48	1-373034	Washer, Pivot.....	2
49	3230-3	Bolt, Carriage 5/16-18 x1-1/4	1
50	3231-29	Bolt, Carriage 3/8-16x1-3/4.....	1
51	1-513170	Spring.....	1
52	3296-29	Nut, Nyloc 5/16-18	4
53	1-543274	Bushing, Steel.....	1
54	1-543502	Bushing, Bronze.....	1
55	1-542270-01	Arm, Hyd Drive Idler.....	1
56	1-213069	Strut, Adjustment Spacer	3
57	3296-39	Nut, Nyloc 3/8-16	2
58	1-543008	Pulley, Idler (Steel).....	1
59	3256-24	Washer, 3/8 SAE.....	1
60	1-543548	Belt, "A" (Transmission Drive).....	1
61	1-543258-01	Plate, Skid.....	1
62	325-5	Capscrew, 1/2-13 x 1 1/4	2
63	3253-7	Washer, 1/2.....	2
64	3217-9	Nut, 1/2-13	2
65	103-2308	Spacer, Crankshaft	1
66+	103-1963	Valve, Oil Drain	1
67	103-3441	Deck, Engine (1-552073-01) W/ Tank Pads & Decals	1
68	Kohler	Part No. 2405002 Fuel Filter	1
69	3256-3	Washer, 5/16.....	1
70	1-303334	Washer, Disc Spring 5/16	4

Exmark black touch up spray paint - Gloss black.

Exmark red touch up spray paint - P/N 1-850337.

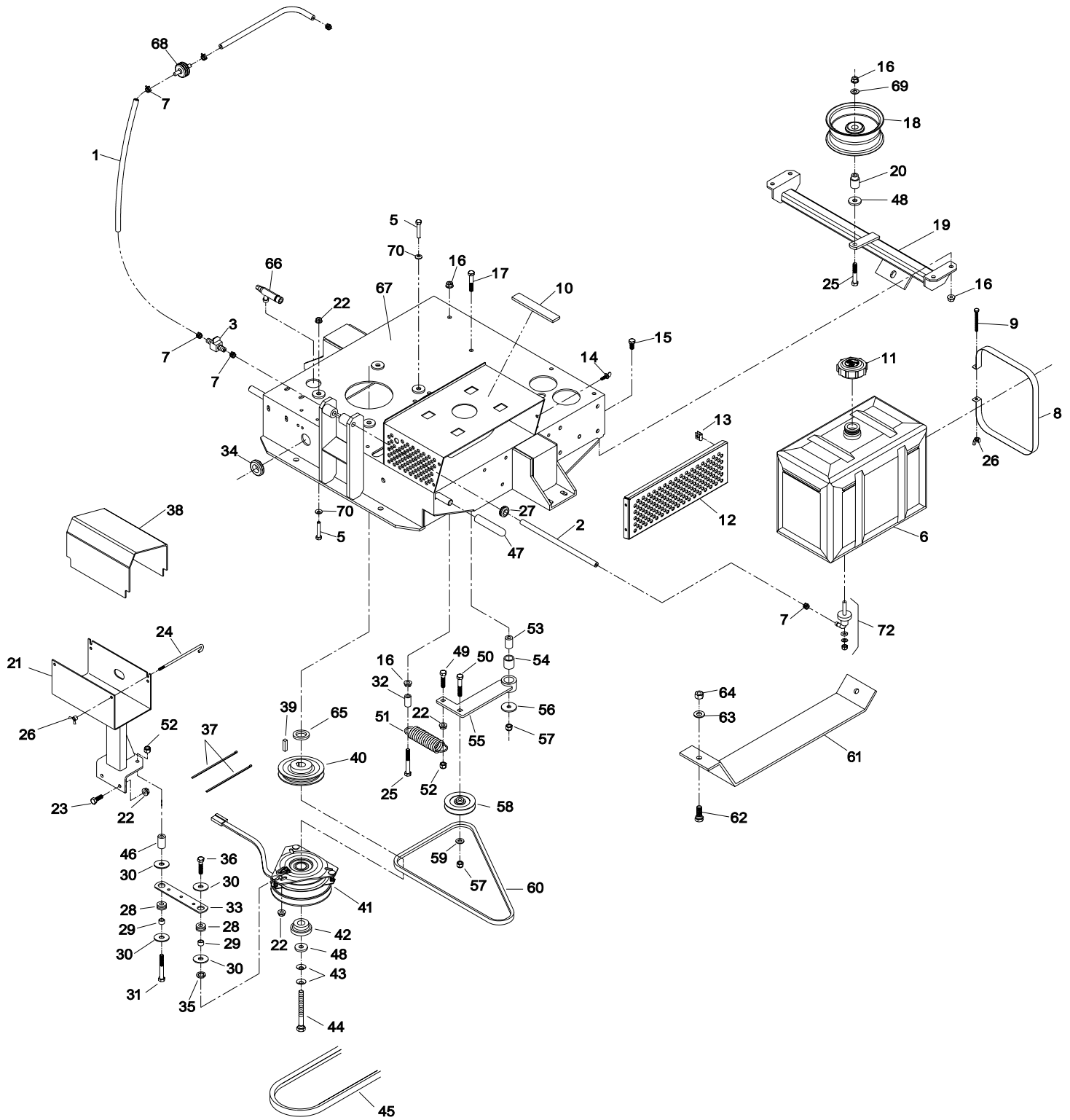
- ◆ Use Pro-Lock, Nut Type (P/N 1-840022, .5ml tube) on clutch bolt and on bulkhead fuel tank fitting nut.
- + Use Teflon Pipe Sealant or equivalent on threads.
- Fuel tank assembly includes bulkhead fitting.

Kohler Replacement Parts List

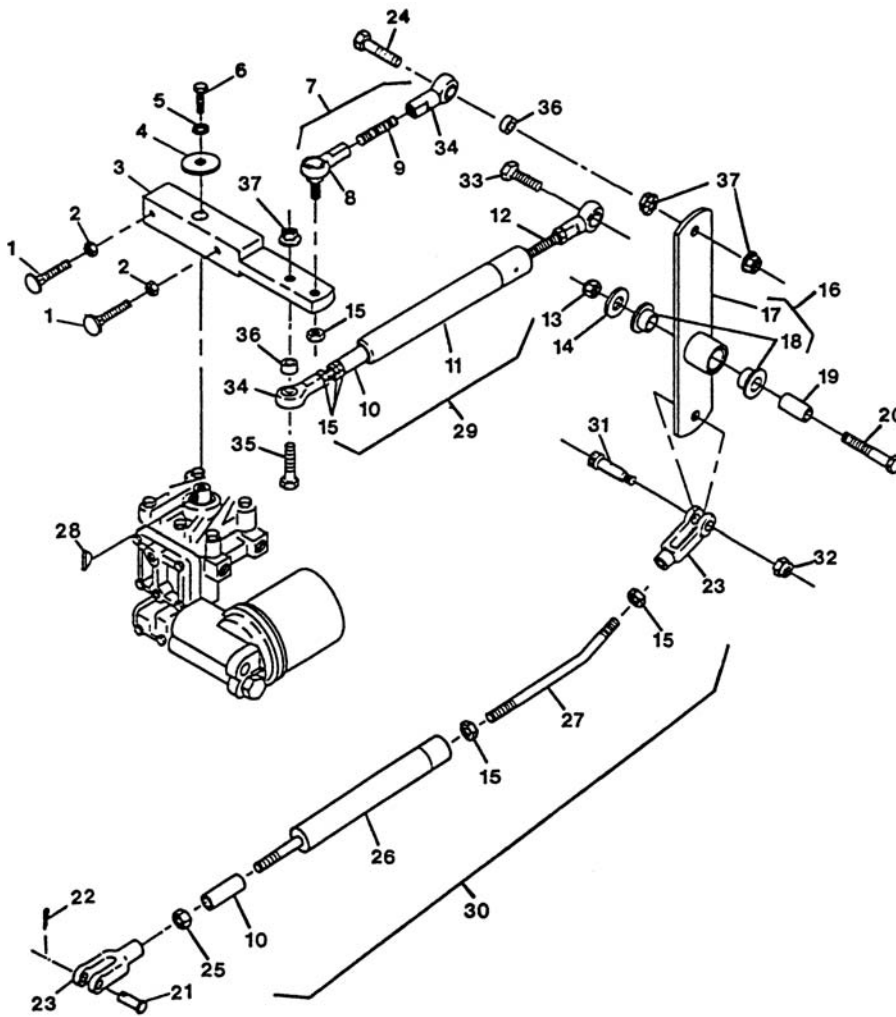
(Refer to Engine Owner's Manual)

<u>Description</u>	<u>Kohler P/N</u>
Air Filter Element – Outer.....	2508301-S
Air Filter Element – Inner	2508304-S

ENGINE DECK GROUP



MOTION CONTROLS



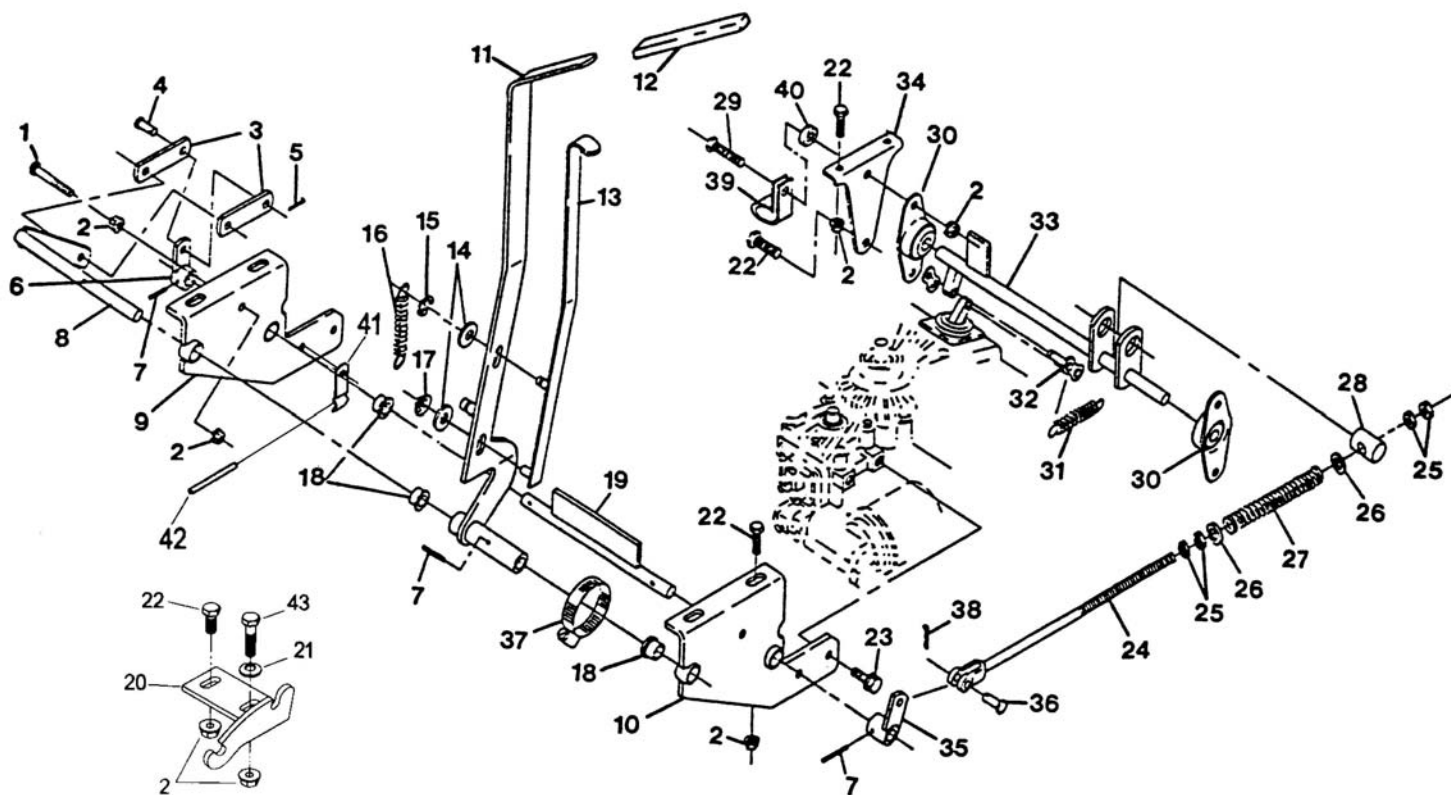
Item	Part No.	Description	Qty.
1	1-807522	Bolt, Carriage 5/16-18 x 2	2
2	3217-6	Nut, 5/16-18.....	2
3	1-542916-01	Arm, Transaxle	1
4	1-503033	Washer, Pulley Retainer.....	1
5	1-805004	Washer, Lock 1/4 Hvy Spring.....	1
6	1-800751	Capscrew, 1/4-20 x 1-1/2	1
7	1-544722	Linkage, Motion Control	1
8	1-513132	Ball joint.....	1
9	1-543710	Rod, End.....	1
*	1-840022	Pro-Lock, Nut Type (.5ml Tube) Use On Both Rod Ends	
10	1-513479	Bushing, Spring Guide	2
11	1-542724-01	Centering Spring Wldmnt	1
12	1-543148	Rod, End.....	1
13	3296-29	Nut, Nyloc 5/16-18.....	1
14	3256-3	Washer, 5/16 Stnd. Flat.....	1
15	3220-2	Nut, Jam 5/16-24 (RH)	8
16	1-544711	Idler Linkage S/A	1
17	1-542144-01	Linkage, Idler.....	1
18	1-513140	Bearing, Control	2

Item	Part No.	Description	Qty.
19	1-543486	Bushing	1
20	322-12	Capscrew, 5/16-18 x 2-1/2.....	1
21	1-808280	Pin, Clevis 5/16 x 1	1
22	3272-5	Pin, Cotter 3/32 x 1/2	1
23	1-303105	Yoke, Adjustable	2
24	322-7	Capscrew, 5/16-18 x 1-1/2.....	1
25	3219-2	Nut, 5/16-24	1
26	1-512136-03	Housing, Override	1
27	1-543052	Rod, Link.....	1
28	3257-1	Key, Woodruff #3, 1/8 x 1/2	1
29	1-542725	Spring Assy, Pedal (Center).....	1
30	1-542053	Spring, Pedal (Override)	1
31	1-809057	Screw, Socket HD 5/16x3/4 Shld.....	1
32	3296-42	Nut, Nyloc 1/4-20	1
33	3210-5	Capscrew, 5/16-24 x 1	1
34	1-543017	Ball Joint	3
35	322-6	Capscrew, 5/16-18 x 1-1/4	1
36	1-603500	Spacer.....	2
37	32128-20	Nut, Whizlock 5/16-18.....	3

Exmark black touch up spray paint - Gloss black.

* Not Illustrated.

PARKING BRAKE



Item	Part No.	Description	Qty.
1	322-11	Capscrew, 5/16-18 x 2-1/4	1
2	32128-20	Nut, Whizlock, 5/16-18	13
3	1-543115	Link, Brake	2
4	1-808278	Pin, Clevis 5/16 x 3/4	2
5	3272-10	Pin, Cotter 1/8 x 3/4	2
6	1-542123-01	Arm, Butterfly Control	1
7	1-806328	Roll Pin, 7/32 x 7/8	3
8	1-542190	Pivot Wldmt, Brake Lever	1
9	1-552058-01	Support, Transmission (LH)	1
10	1-552059-01	Support, Transmission (RH)	1
11	103-3437	Lever, Brake (1-542192-01) W/ Grip & Decal	1
12	1-303020	Grip (Adjustment Lever)	1
13	1-542719-01	Trigger, Brake	1
14	3256-23	Washer, 5/16	2
15	32120-35	E Ring	1
16	1-513468	Spring, Brake Handle	1
17	1-543798	Pushnut, 5/16	1
18	1-513140	Bearing Control	4
19	1-542125-01	Butterfly	1
20	1-542900-01	Quadrant, Brake	1
21	1-303334	Washer, Disc 5/16	2
22	322-3	Capscrew, 5/16-18 x 3/4	9

Item	Part No.	Description	Qty.
23	3234-5	Bolt, Whizlock 5/16-18 x 3/4	4
*	1-840022	Pro-Lock Nut Type (.5ml Tube) Use On Bolt Threads	
24	1-543721	Linkage, Brake	1
25	3220-3	Nut, Jam 3/8-24 Pltd	4
26	3256-4	Washer, 3/8	2
27	1-543132	Spring, Brake Protect	1
28	1-543129	Pin, Trunion	1
29	322-5	Capscrew, 5/16-18 x 1	1
30	1-543514	Flange Mntg (Side)	2
31	1-543543	Spring, 3 x 1/2	1
32	1-543745	Link, Connector #60	1
33	1-542748-01	Jackshaft, Brake	1
34	1-543138	Mount, Jackshaft Bearing	1
35	1-542121-01	Arm, Brake Control	1
36	1-808280	Pin, Clevis, 5/16 x 1	1
37	1-543892	Clamp, Hose	1
38	3272-5	Pin, Clevis 3/32 x 1/2	1
39	1-213148	Clamp	1
40	1-543007	Spacer	1
41	1-553056	Spring, Dump Valve	1
42	1-806339	Rollpin 1/4 x 3	1
43	322-6	Capscrew, 5/16-18 x 1 1/4	1

Exmark red touch up spray paint - P/N 1-850337.

* Not Illustrated.

RIDER FRAME and STEERING

Item	Part No.	Description	Qty.
1	103-3440	Frame, Rider (1-542920-01) W/Pads, Decal, Bsgs, And Brg Cups.....	1
2	1-543509	Bearing Cone, Tapered Roller.....	4
3	1-543511	Seal, Grease.....	3
4	302-19	Zerk, 1/4-28 (Straight).....	3
5	3256-28	Washer, 3/4 SAE.....	2
6	3272-17	Pin, Cotter 5/32 x 1 1/4.....	1
7	32136-5	Nut, Slotted 3/4-16.....	1
8	1-543513	Cap, Grease.....	1
9	1-543296	Grommet.....	1
10	3256-3	Washer, 5/16.....	2
11	323-7	Capscrew, 3/8-16 x 1 1/4.....	2
12	98-5975	Washer, 3/8 Disc Spring.....	2
13	3290-357	Nut, Flange 3/8-16.....	10
14	1-303007	Washer, 6" Caster Pivot.....	4
15	1-552023-03	Handle Bar.....	1
16	1-303097	Grip, Handle Bar.....	2
17	103-3438	Console (1-553063-01) W/ Decals.....	1
18	1-543482-01	Cover, Console.....	1
19	1-542728-03	Steering Post.....	1
20	32104-60	Screw, 10-24 x 1/2.....	4
21	323-4	Capscrew, 3/8-16 x 3/4.....	4
22	1-303199	Bushing, 6" Caster Flange.....	4
23	1-303200	Sleeve, 6" Caster.....	2
24	1-806331	Roll Pin, 1/4 x 1-1/4.....	2
25	103-3439	Pedal, Ft (1-542183-01) W/ Pad.....	1
26	1-543161	Pad, Reverse Control Pedal.....	1
27	1-543160	Pad, Forward Control Pedal.....	1
28	32128-20	Nut, Whizlock 5/16-18.....	9
29	1-542196-01	Bracket, Pivot (RH).....	1

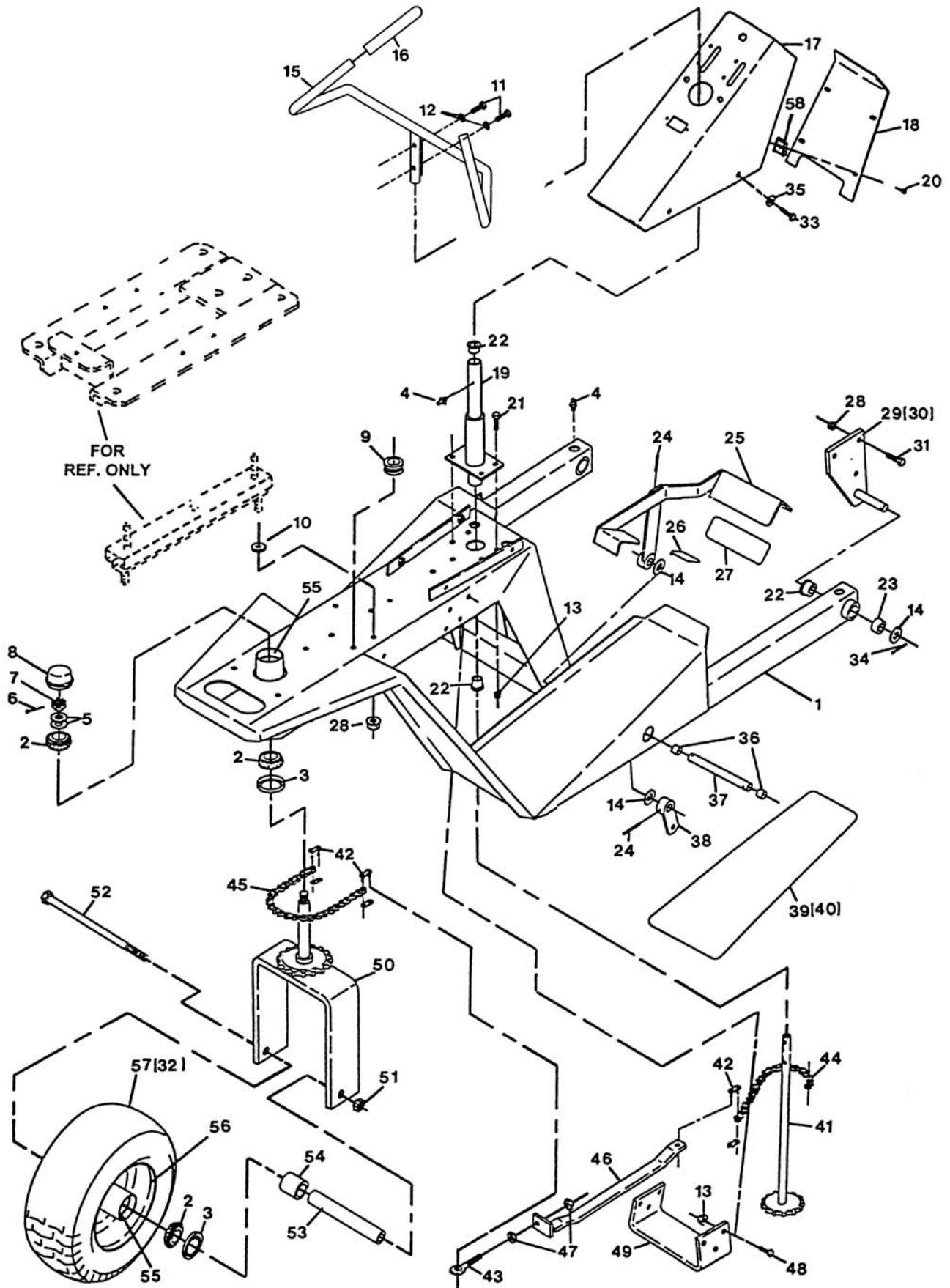
Item	Part No.	Description	Qty.
30*	1-542194-01	Bracket, Pivot(LH).....	1
31	322-5	Capscrew, 5/16-18 x 1.....	5
32	1-543679	Tire, 18 x 7.50-8.....	1
33	321-3	Capscrew, 1/4-20 x 5/8.....	4
34	1-806332	Rollpin, 1/4 x 1 1/2.....	2
35	3256-22	Washer, 1/4.....	4
36	1-513588	Bearing, DU.....	2
37	1-543172-01	Shaft, Foot Pedal.....	1
38	1-542140-01	Lever, Foot Pedal.....	1
39	1-543159	Pad, Rider Anti-Skid (R).....	1
40*	1-543158	Pad, Rider Anti-Skid (L).....	1
41	1-552025	Shaft, Steering.....	1
42	1-543573	Link, Connector #40.....	4
43	1-543579	Eyebolt, 5/16-18.....	2
44	1-543885	Chain, #40-29 Pitch.....	1
45	1-543886	Chain, #40-33 Pitch.....	1
46	1-542870-01	Link.....	2
47	3218-2	Nut, Jam 5/16-18.....	4
48	323-6	Capscrew, 3/8-16 x 1.....	6
49	1-553007-01	Stop, Actuator.....	1
50	1-542872-01	Mount, Steering Wheel.....	1
51	1-803042	Nut, Torque 5/8-11.....	1
52	1-800346	Capscrew, 5/8-11 x 10 1/2.....	1
53	1-543552	Bushing, Wheel.....	1
54	1-543556	Spacer, Wheel (Short).....	2
55	1-543508	Bearing Cup.....	4
56	1-543674	Rim.....	1
57	1-543397	Tire/Whl Assy, 18.0 x 7.50-8.....	1
58	1-803055	U-Clip, #10-24.....	4

Exmark black touch up spray paint - Gloss black.

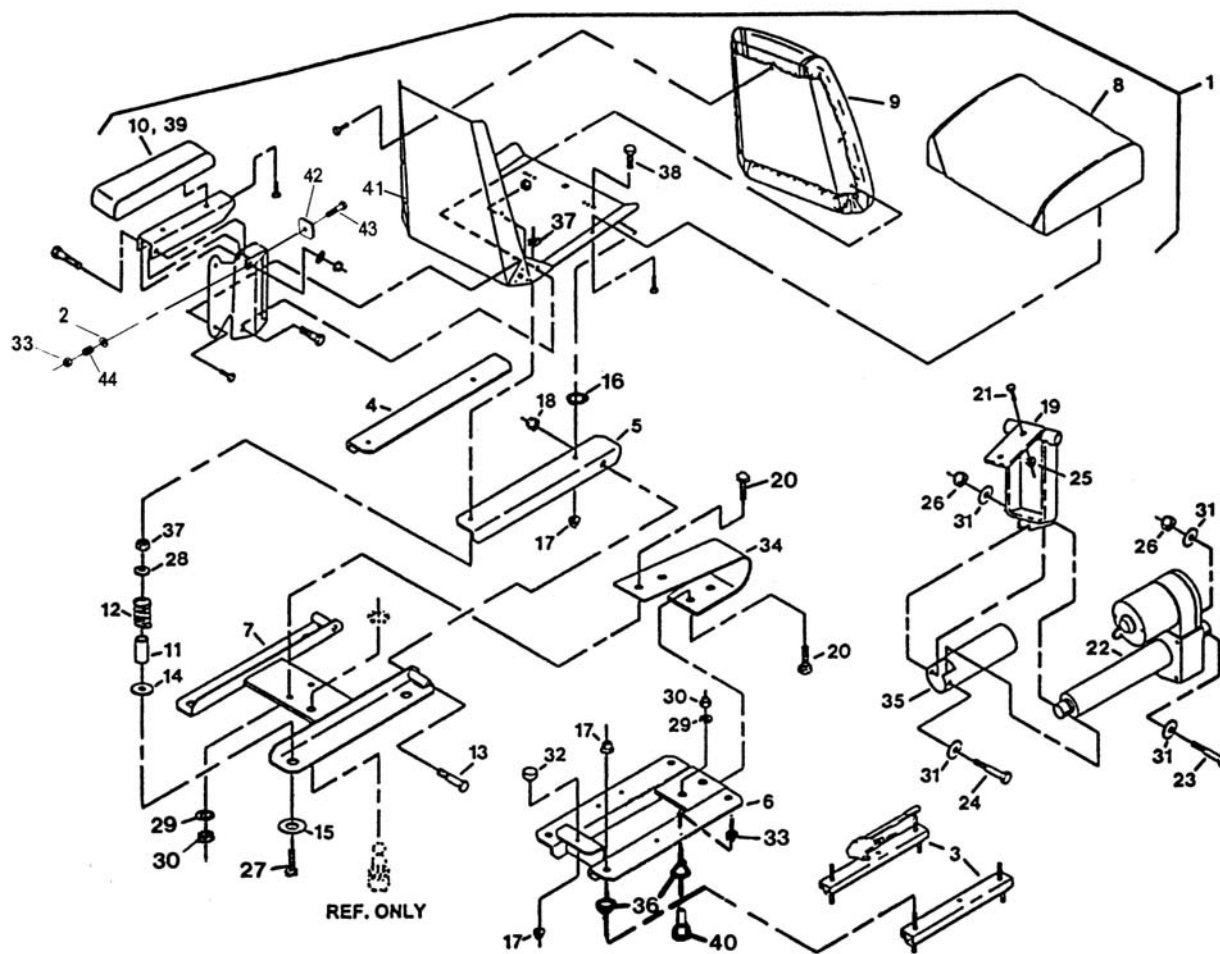
Exmark red touch up spray paint - P/N 1-850337.

* Not Illustrated.

RIDER FRAME and STEERING



SEAT ASSY. and LIFT ACTUATOR



Item	Part No.	Description	Qty.
1◆	103-3524	Seat Complete W/Armrests	1
2	3256-23	Washer, 5/16 SAE	1
3	1-543357	Seat Track, Adjustable (6")	1
4	1-543319-03	Rail, Seat (LH)	1
5	1-543321-03	Rail, Seat (RH)	1
6	1-542307	Base Rail, Seat	1
7	1-542315-03	Seat Rail Wldmnt	1
8	103-3521	Cushion, Seat	1
9	103-3520	Cushion, Back Rest	1
10	103-0292	Pad, Arm Rest (RH)	1
11	1-513479	Bushing, Spring Guide	2
12	1-513296	Spring	2
13	325-13	Screw, 1/2-13 x 3 1/4	2
14	325-6	Washer, 1/2	2
15	1-213069	Strut, Adjustment Spacer	2
16	3256-4	Flatwasher, 3/8 Std	2
17	32128-20	Nut, Whizlock 5/16-18	9
18	3296-23	Nut, Nyloc 1/2-13	2
19	1-542283	Pivot Wldmnt, Actuator	1
20	325-5	Screw, 1/2-13 x 1 1/4	4
21	323-6	Screw, 3/8-16 x 1	2
22	1-543241	Actuator, Linear	1

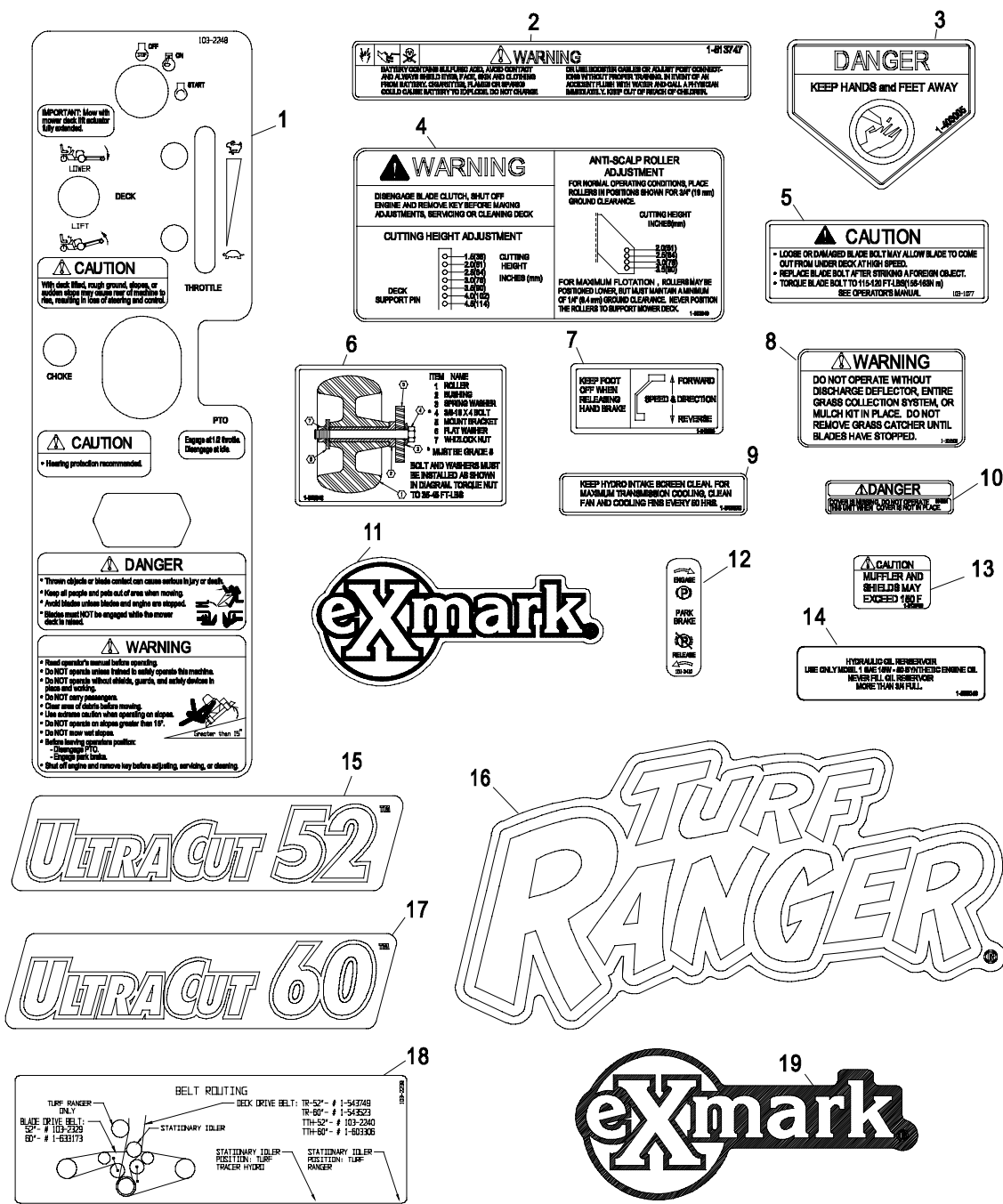
Item	Part No.	Description	Qty.
23	3212-9	Screw, 7/16-20 x 5	1
24	3212-12	Screw, 7/16-20 x 3	1
25	3290-357	Nut, Flange 3/8-16	2
26	3296-7	Nut, Nyloc 7/16-20	2
27	1-800015	Tap Bolt, 5/16-18 x 2 1/2	2
28	3256-3	Washer, 5/16	2
29	3253-7	Washer, Lock 1/2	4
30	3217-9	Nut, Nyloc 1/2-13	4
31	3256-25	Washer, 7/16	4
32	1-543963	Bumper, Rubber	1
33	3296-29	Nut, Nyloc 5-16-18	4
34	1-543356	Spring, Seat (TR)	1
35	1-543834	Guard, Actuator	1
36	1-543401	Spacer, Track	6
37	3217-6	Nut, 5/16-18	2
38	323-3	Screw, 5/16-18 x 3/4	2
39	103-0291	Pad, Arm Rest (LH)	1
40	32122-14	Screw, 5/16-18 x 3/4 CR	2
41	1-633859	Seat Frame	1
42	103-0284	Tab, Armrest Adjustment	2
43	322-7	Screw, 5/16-18 11/2	2
44	1-633349	Spring, Compression	1

Exmark black touch up spray paint - Gloss black.

Exmark red touch up spray paint - P/N 1-850337.

◆ Includes armrests, armrest adjuster hardware and seat back decal.

DECALS



Item	Part No.	Description	Qty.
1	103-2248	Decal, Console	1
2	1-513747	Decal, Battery	1
3	1-403005	Decal, Danger.....	2
4	1-553049	Decal, Mower Deck	1
5	103-1077	Decal, Bolt Torque.....	1
6	1-323540	Decal, Roller Mounting	1
7	1-543624	Decal, Foot Pedal.....	1
8	1-303508	Decal, Discharge Warning.....	1
9	1-543620	Decal, Intake	1
10	98-5954	Decal, Missing Cover	3

Item	Part No.	Description	Qty.
11	1-643103	Decal, "Exmark"	2
12	103-2432	Decal, Brake Lever.....	1
13	1-513746	Decal, Muffler	1
14	1-553040	Decal, Hydraulic Tank.....	1
15	103-1145	Decal, Ultracut 52.....	1
16	103-3014	Decal, Turf Ranger	1
17	103-1146	Decal, Ultracut 60.....	1
18	103-2239	Decal, Belt Routing	1
19	103-2882	Decal, Exmark logo	1
	103-2550	Decal Kit Complete	1

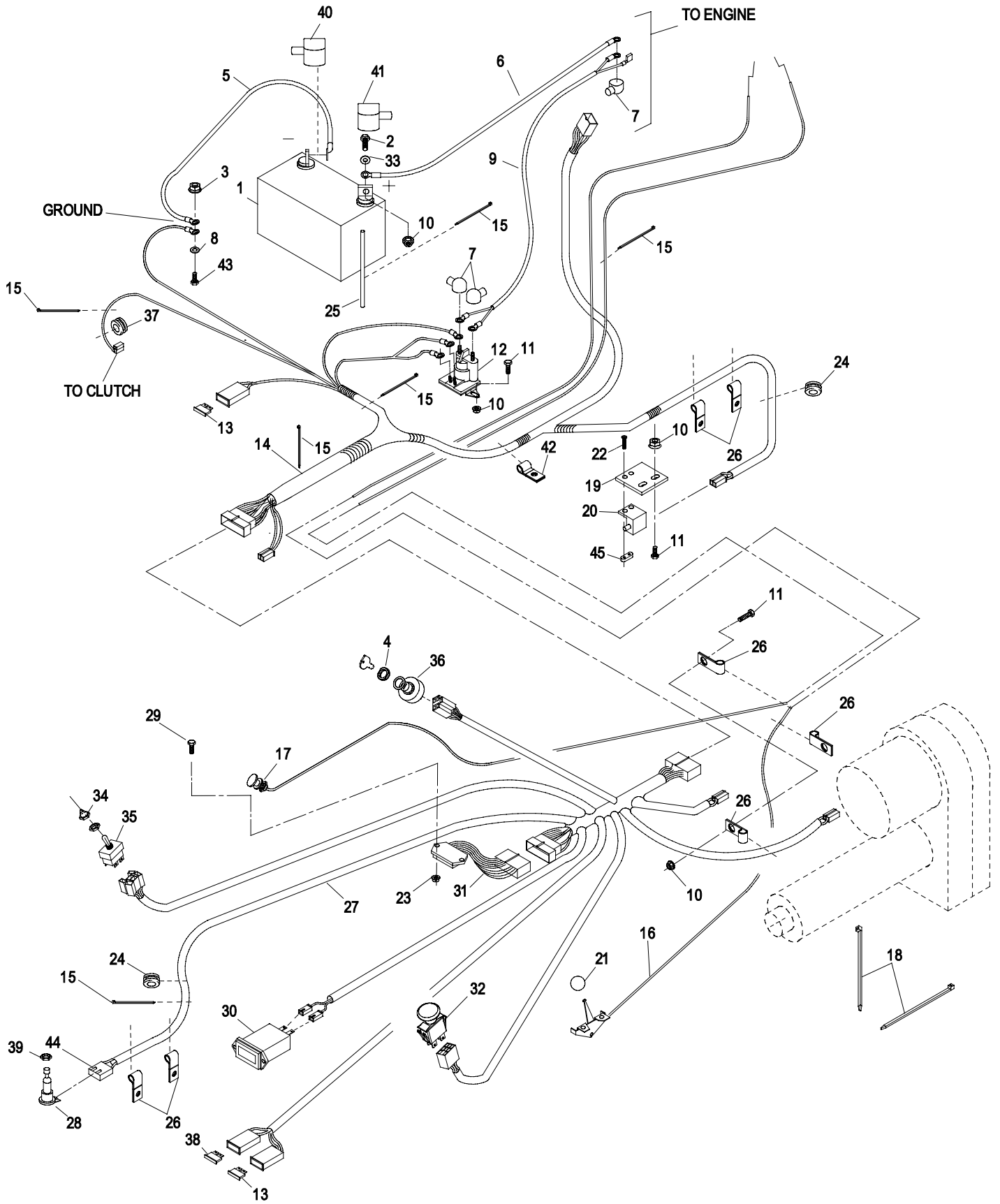
ELECTRICAL GROUP

Item	Part No.	Description	Qty.
1	103-0293	Battery, 12 Volt	1
2	321-4	Capscrew, 1/4-20 x 3/4	2
3	32128-20	Nut, Whizlock 5/16-18	1
4	103-0498	Nut, Ignition	1
5	1-543767	Cable, Ground (-).....	1
6	1-603488	Cable, Starter	1
7	1-543393	Insulator, Solenoid (Pos. +).....	3
8	1-303334	Washer, Disc Spring 5/16.....	1
9	103-1126	Harness, Wiring.....	1
10	32128-33	Nut, Whizlock 1/4-20	12
11	321-3	Capscrew, 1/4-20 x 5/8	10
12	1-513075	Switch, 12 Volt Solenoid.....	1
13	1-816001	Fuse, Blade 20 AMP	2
14	1-543065	Harness, Wiring (Engine)	1
15	1-303287	Plastic Tie, (Small)	7
16	1-633696	Cable, Throttle	1
17	1-603336	Cable, Choke.....	1
18	1-303335	Plastic Tie, (Large)	2
19	1-323128	Bracket, Safety Switch	1
20	1-513051	Switch, Neutral Lockout.....	1
21	1-513592	Knob, Red Ball	1
22	32108-55	Screw, 10-24 x 5/8 Flathead	2
23	3296-2	Nut, Nyloc 10-24.....	4
24	1-543296	Grommet.....	1

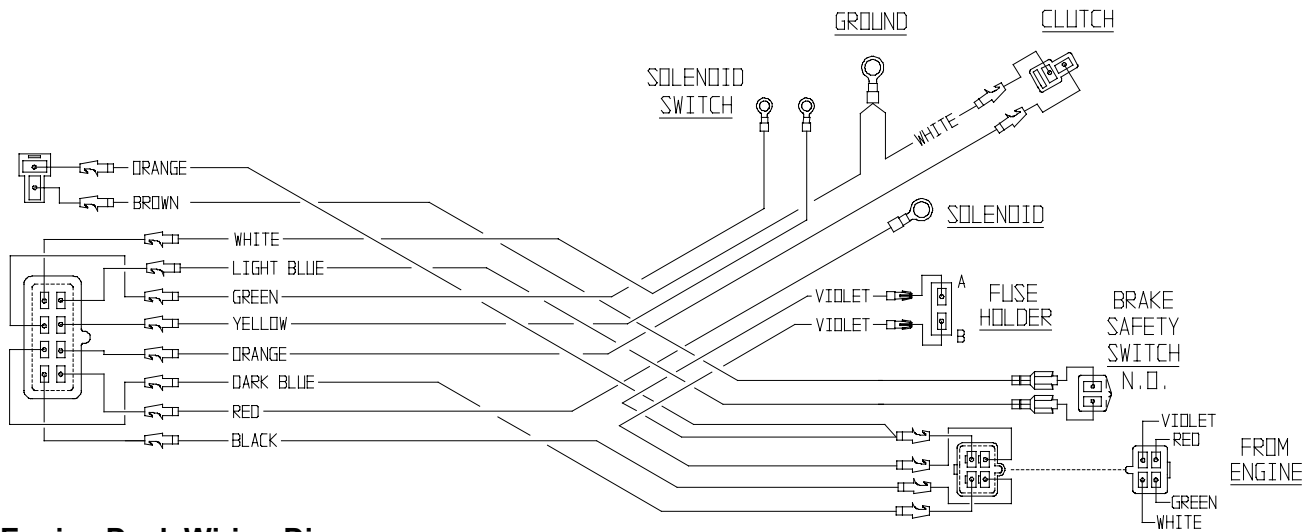
Item	Part No.	Description	Qty.
25	1-809040	Hose, Battery Manifold (23")	1
26	1-513762	Clip, 1/2" Loom.....	7
27	1-553064	Harness, Wiring (Rider).....	1
28	1-603760	Switch, Seat Safety	1
29	1-807527	Bolt, Carriage. 10-24 x 3/4	4
30	1-513374	Meter, Engine Hours	1
31	1-543316	Module, Safety Interlock	1
32	1-633673	Switch, PTO	1
33	3256-2	Flatwasher, 1/4.....	2
34	1-543386	Boot, Toggle Switch	1
35	1-543385	Switch, Toggle DPDT.....	1
36	1-543070	Ignition Switch W/Keys.....	1
	103-2106	Key, Exmark Logo.....	1
	1-603511	Ignition Key	1
37	1-543286	Grommet	1
38	1-816003	Fuse, Blade 30 AMP	1
39	1-543348	Nut, 5/8-32 (Seat Switch).....	1
40	1-543391	Insulator, Battery Positive	1
41	1-543390	Insulator, Battery Negative.....	1
42	1-603727	Clip, 9/16 Loom	1
43	322-9	Capscrew, 5/16-18 x 1-3/4	1
44	1-543335	Connector, Packard 2-Way.....	1
45	1-633181	Plate, Tapped.....	1

NOTE: Apply dielectric grease to all electrical connectors.

ELECTRICAL GROUP

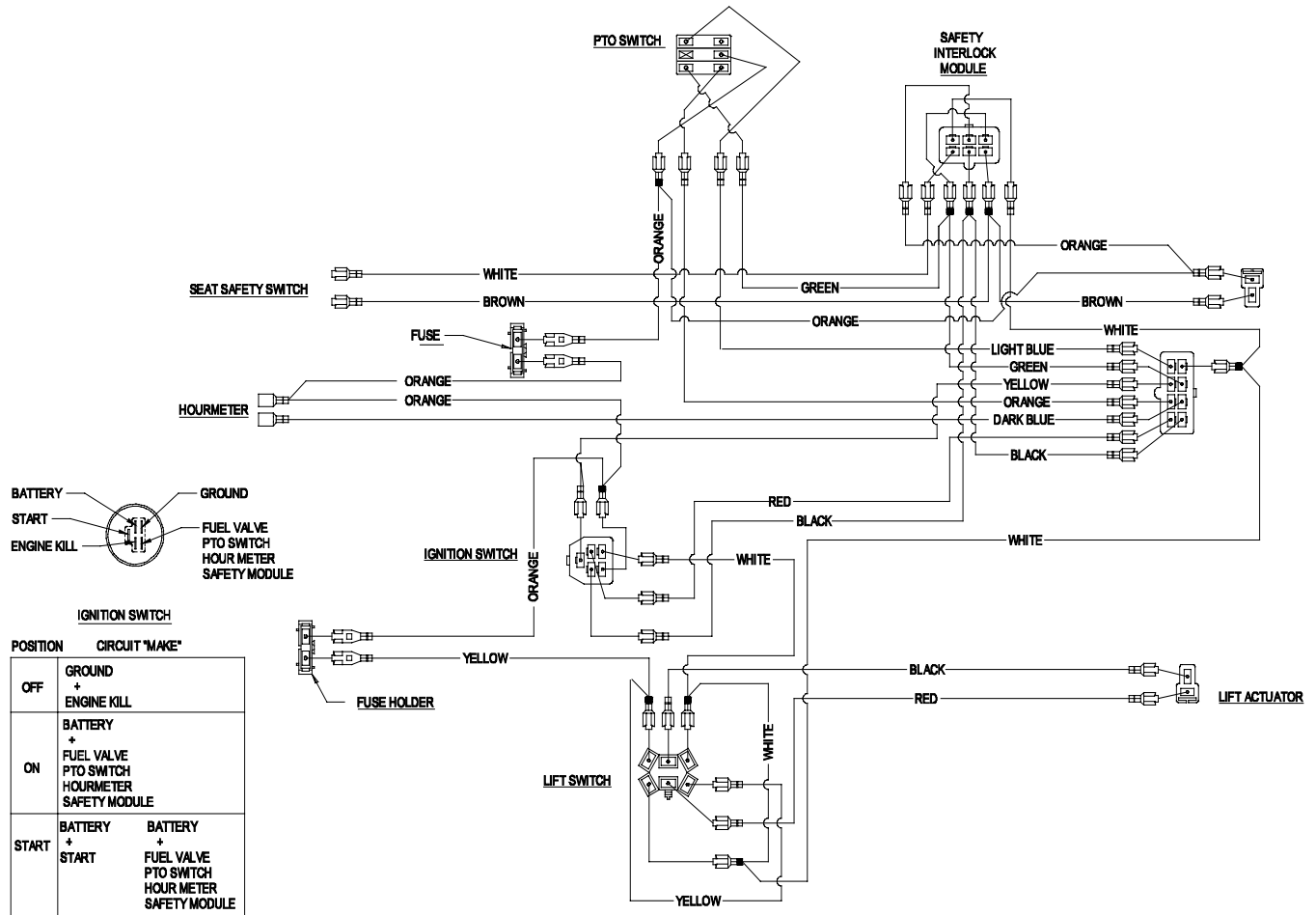


ELECTRICAL DIAGRAM



Engine Deck Wiring Diagram

NOTE: All connectors are viewed from the *wire input* side of the connector.



Console Wiring Diagram

NOTE: All connectors are viewed from the *wire input* side of the connector.

NOTES

NOTES

**SEE EXMARK'S COMPLETE
LINE OF PRODUCTS FOR TURF CARE**

LAZER Z[®]

LAZER Z[®] HP

LAZER Z[®] XP

LAZER Z[®] CT

TURF RANGER[®]

VIKING HYDRO

TURF TRACER[®]

TURF TRACER[®] HP

METRO[®]

METRO[®] HP

ULTRA VAC[™]

ULTRA VAC[™] QDS

GRASS CATCHER

MICRO-MULCH[™] ACCESSORY

SELF STEERING SULKY

©1997 - 2003
EXMARK MFG. CO. INC.
INDUSTRIAL PARK BOX 808
BEATRICE, NE 68310
ALL RIGHTS RESERVED

PART NO. 103-4866
(402) 223-6300
FAX (402) 223-5489
PRINTED IN U.S.A.

