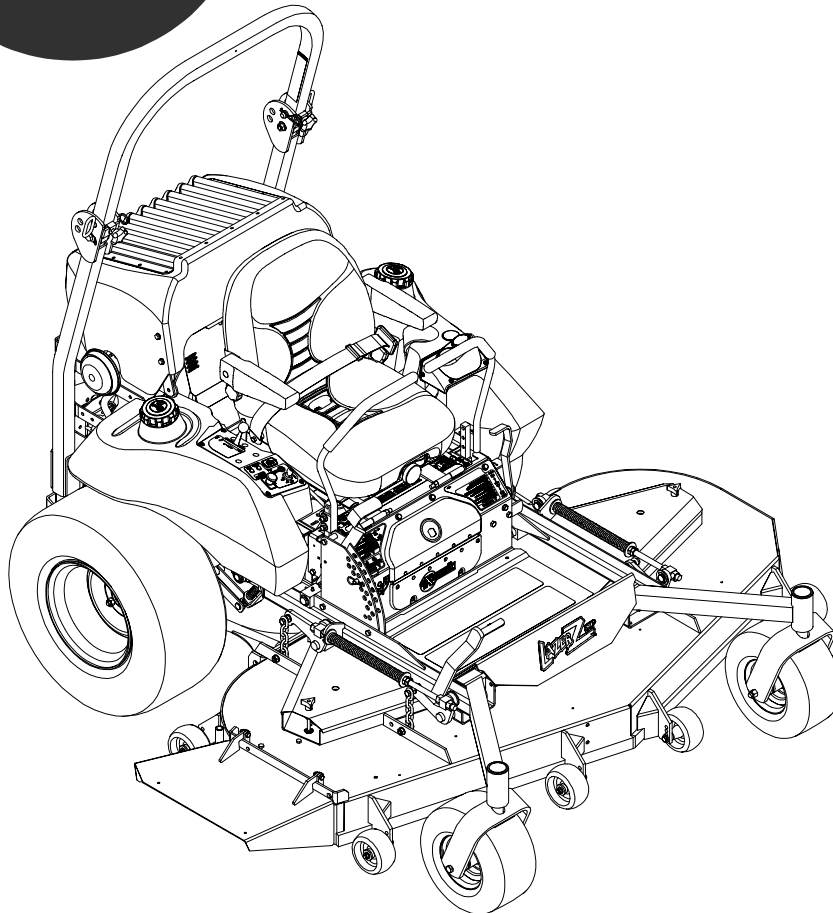


For Serial Nos.
440,000 & Higher



PARTS MANUAL

LAZER Z[®] XP

CONGRATULATIONS on the purchase of your new Exmark mower. This product has been carefully designed and manufactured to give you a maximum amount of dependability and years of trouble-free operation. If additional information is needed, or should you require trained mechanic service, contact your authorized Exmark equipment dealer or distributor. If you need to order replacement parts from your dealer, always give the model number and serial number of your mower as well as the part number, description and quantity of the part needed.

The Serial No. plate is located on the right side of the console. For ease of ordering and reference, we suggest that you record the information requested in the following identification table.

Place Model No. and Serial No. Label Here
(Included in Literature Pack)
or Fill in Below

Model No. _____

Serial No. _____

Engine Model No. and Spec. No. (Code) _____

Engine Serial No. (E/No) _____

Date Purchased _____

EXMARK PARTS PLUS® PROGRAM

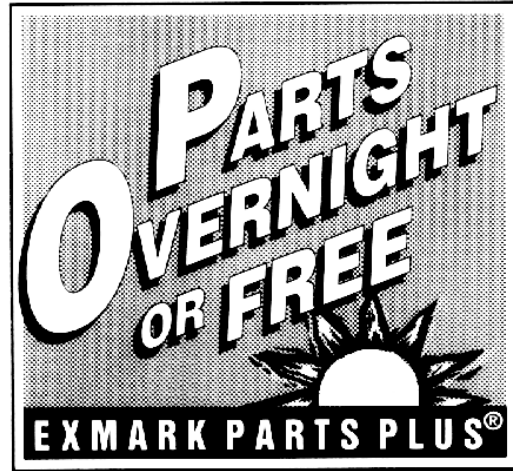
EFFECTIVE DATE: September 1, 1995

Program

If your Exmark dealer does not have the Exmark part in stock, Exmark will get the parts to the dealer the next business day or the part will be FREE* Guaranteed!!

How the Program Works

1. If dealer does not have part in stock for a "down" unit at the time of request by customer, the dealer contacts his distributor by 1:00 p.m., local time, and requests Exmark Parts Plus® shipment of six (6) line items or less.
2. Distributor ships part(s) to dealer or customer, as requested by dealer, same day, overnight UPS. Distributor bills dealer for part and freight charges where applicable.
3. If distributor does not have the part(s) in stock to satisfy Exmark Parts Plus® order, he contacts Exmark by 3:00p.m., central time, with an Exmark Parts Plus® order of six (6) line items or less.
4. If order is received by 3:00 p.m. central time, Exmark ships part(s) direct to dealer or customer, as requested by distributor, same day, overnight UPS, Exmark bills the distributor for parts and shipping charges, where applicable.
5. The customer pays for the part and freight if it is shipped under the Exmark Parts Plus® and if it arrives in accordance to the program.
6. Who pays for the part and freight if it fails to arrive overnight in accordance to the program?
 - A. Under any circumstance the customer does not pay.
 - B. If the part does not arrive overnight due to:
 1. The dealer not submitting the Exmark Parts Plus® order to his Exmark distributor by 1:00 p.m., the dealer pays for the part and freight.
 2. The Distributor being unable to ship the part the same day or not submitting the Exmark Parts Plus® order to Exmark by 3:00 p.m., central time, the Distributor pays for the part and freight.
 3. Exmark being unable to ship the part and the Exmark parts order is received by 3:00 p.m., central time, Exmark pays for the part and freight.
 4. If the part does not arrive overnight due to the shipper (UPS), the shipper pays for the freight and Exmark pays for the part.



The following restrictions apply -- The Exmark Parts Plus® Program is available only through participating Exmark Dealers and applies only to orders submitted on this program Monday through Thursday. Parts Plus service is available only in the 48 contiguous United States. UPS has initiated a Saturday delivery program to many areas of the continental United States and can be requested for an overnight shipment on Friday to be delivered Saturday. The next day air charge, plus the Saturday delivery fee will be the responsibility of the purchaser. Exmark Mfg. will assume no responsibility for Saturday delivery shipments. To qualify, all Exmark Parts Plus® orders must be received by Exmark by 3:00 p.m., central time. Orders must be six (6) line items or less. Exclusions from the Exmark Parts Plus® Program are: Any wholegood or accessory in its entirety, engines and engine replacement parts, 5-speed Peerless transmissions and 5-speed transaxles, hydraulic or hydrostatic wheel motors, cutter decks and engine decks or any item exceeding United Parcel Service size and weight restrictions.

Due to UPS restrictions, aerosol spray paint is considered a hazardous material and cannot be shipped via UPS next day or Second Day Air.

Exmark Manufacturing stocks a limited supply of parts for transaxles, pumps and wheel motors. These parts can be ordered for Next Day Air shipment but will not be guaranteed per the Parts Plus Program

**READ OPERATOR'S MANUAL BEFORE
OPERATING OR SERVICING EXMARK EQUIPMENT.**

TABLE OF CONTENTS

<u>Description</u>	<u>Page</u>
60" Deck Group	3-4
72" Deck Group	5-6
Decal Group	23-24
Electrical Diagram 27 HP Daihatsu Diesel	27
Electrical Group 27 HP Daihatsu Diesel	25-26
Electrical Logic Schematic 27 HP Daihatsu Diesel	28
Engine Cooling Group	19-20
Engine Deck Group	15-16
Front Frame Group	7-8
Fuel Group.....	11-12
Hydraulic Group.....	21-22
Main Frame Group.....	9-10
Motion Control Group	14
Park Brake Group.....	13
Upper Frame Group.....	17-18

60" DECK GROUP

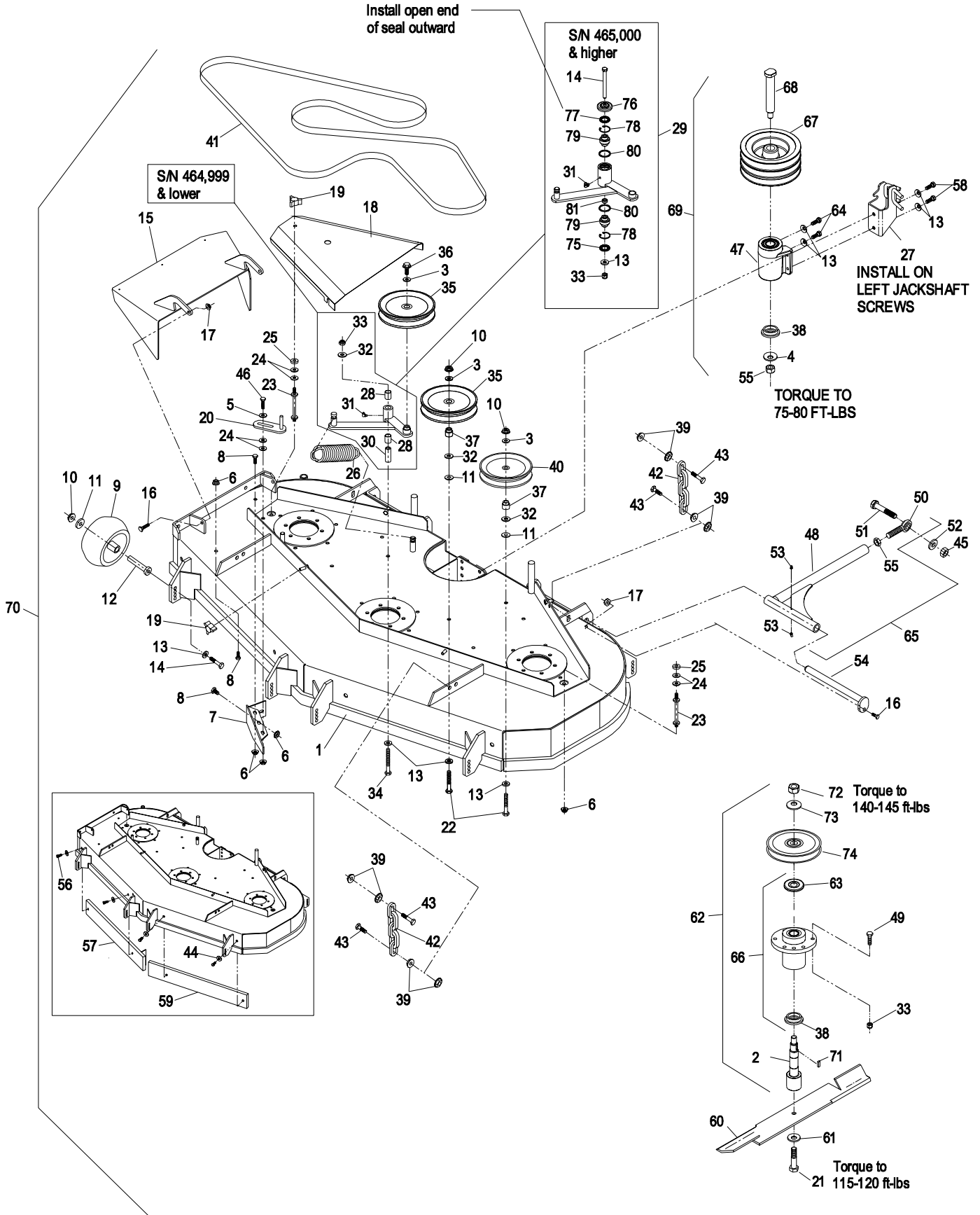
Item	Part No.	Description	Qty
1	103-1589	Asm, Deck (103-1423-01) W/Decals.....	1
2+	103-2785	Spindle.....	3
3	3256-24	Washer, 3/8 SAE	3
4	1-513208	Washer, Disc Spring.....	1
5	1-303334	Washer, 5/16 Disc Spring	1
6	32128-20	Nut, 5/16-18 Whizlock.....	6
7	1-602913-01	Baffle Wldmt, Discharge	1
8	322-2	Screw, 5/16-18 x 5/8	3
9★	1-603299	Roller, Antiscalp.....	6
10	3290-357	Nut, 3/8-16 Whizlock.....	8
11	1-373034	Washer, Pivot	8
12	1-603602	Bushing, Roller	6
13	98-5975	Washer, 3/8 Disc Spring	13
14●	98-5961	Screw, 3/8-16 x 4 Gr 8	6
■	98-5961	Screw, 3/8-16 x 4 Gr 8	7
15	103-5840-01	Chute, Discharge 60".....	1
16	322-5	Screw, 5/16-18 x 1	4
17	3296-29	Nut, 5/16-18 Nyloc	4
18	1-633084-01	Shield, Belt 60" (RH).....	1
	103-1470-01	Shield, Belt 60" (LH).....	1
19	1-323385	Knob, Belt Shield	6
20	1-322110	Belt Guide Wldmt.....	1
21	103-0862	Screw, 5/8-18 x 2 3/4 Gr 8	3
22	323-11	Screw, 3/8-16 x 2 1/4	2
23	1-303537	Stud, Belt Shield	2
24	3256-3	Washer 5/16 Std Flat	6
25	1-323417	Washer, Rubber.....	2
26	103-3330	Spring, Extension.....	1
27	103-3445-01	Guard, Jackshaft Belt.....	1
28●	103-4681	Bearing, Pivot	2
29✱	103-5693	Kit, Idler Arm (103-6528-01) W/Bearings	1
30●	1-603044	Bushing, Idler Pivot.....	1
31	302-40	Zerk, 1/4-20 90°	1
32●	3256-4	Washer, 3/8 Std Flat.....	4
■	3256-4	Washer, 3/8 Std Flat.....	2
33	3296-39	Nut, 3/8-16 Nyloc	19
34●	323-13	Screw, 3/8-16 x 2 3/4	1
35	1-633109	Idler Pulley 6.00 Dia Flat	2
36	3234-11	Bolt, 3/8-16 x 1 Flange	1
37	1-633456	Bushing, Idler.....	2
38	103-2535	Spacer, Guard Bottom	4
39	32128-37	Nut, 7/16-14 Whizlock.....	16
40	1-603805	Idler Pulley 5.06 O.D. V	1
41	1-633127	Belt, Blade Drive 60" Deck.....	1

Item	Part No.	Description	Qty
42	1-633447	Chain.....	4
43	103-1898	Screw, 7/16-14 x 1-5/8 Sp	8
44	1-513435	Washer, 1/2 Disc Spring.....	4
45	3217-11	Nut, 5/8-11 Hex.....	2
46	322-6	Screw, 5/16-18 x 1 1/4	1
47+	103-2544	Asm, Jackshaft Hsg W/Brgs.....	1
48	103-1355-01	Strut Wldmt, Deck	2
49	323-8	Screw, 3/8-16 x 1 1/2.....	18
50	1-633029	Spherical Rod End.....	2
51	327-28	Screw, 5/8-11 x 5 1/2.....	2
52	3253-8	Lockwasher, 5/8 Reg.Spring.....	2
53	302-19	Zerk, 1/4-28 Straight.....	4
54	1-632199-01	Pin Wldmt, Deck Strut	2
55	3219-6	Nut, 5/8-18 Hex.....	3
56	325-4	Screw, 1/2-13 x 1.....	4
57	103-1522-01	Weight Bar Wldmt	1
58	323-7	Screw, 3/8-16 x 1 1/4	2
59	103-1515-01	Weight Bar.....	1
60	103-2530	Blade, Notched	3
	103-2510	Blade, Low Lift.....	3
◆	103-0301	Blade, Mulching.....	3
	103-1580	Blade, Solid	3
	103-6338	Blade, Extreme	3
61	103-0865	Washer, Disc Spring.....	3
62◇	103-3200	Cutter Housing Complete.....	3
63+	103-1330	Guard, Bearing Top	3
64	323-6	Screw, 3/8-16 x 1.....	2
65	103-1356	Strut Wldmt S/A	2
66+	103-2547	Housing W/Bearings	3
67+	103-5381	Sheave, Jackshaft Triple	1
68+	1-643393	Jackshaft	1
69	103-0929	Jackshaft Assy	1
70▽	103-1588	Complete Deck Assy	1
71	103-2982	Key, 1/4 x 3/16 x 3/4	3
72	3217-46	Nut, HH 3/4-16 Heavy.....	3
73	103-2802	Washer, Disc Spring 3/4.....	3
74+	103-2794	Sheave, Blade Drive	3
75■	103-3505	Seal, Double, Lip	1
76■	103-2916	Guard, Top	1
77■	103-3506	Seal, Single Lip.....	1
78■	32120-10	Ring, Retaining	2
79■	103-3504	Bearing, Spherical	2
80■	106-7159	O-ring	2
81■	103-5677	Spacer.....	1

Exmark red touch up spray paint - P/N 1-850337.

- ✚ Apply Mobil HTS grease (P/N 103-5217 1.5 oz packet) (or a food-grade antisieze) between the jackshaft and bearings, jackshaft and sheaves, spindles and bearings, spindles and sheaves, and under top bearing guard. DO NOT use a copper or nickel based antisieze.
- ▽ Complete deck assembly does not include items 39, 42, & 43, but does include 2 belts (item 69, pg. 15).
- ★ Kit 103-3168 includes antiscalp roller, bushing, & mounting hardware.
- ◆ Requires installation of Micro-Mulch accessory for proper mulching. Mulch kit P/N MK604.
- ◇ Complete cutter housing assembly also includes items 61 & 21.
- This component is required for units with S/N 464,999 and lower.
- This component is required for units with S/N 465,000 and higher.
- ✱ 103-5693 kit includes components shown for S/N 465,000 and higher and services all serial numbers.

60" DECK GROUP



72" DECK GROUP

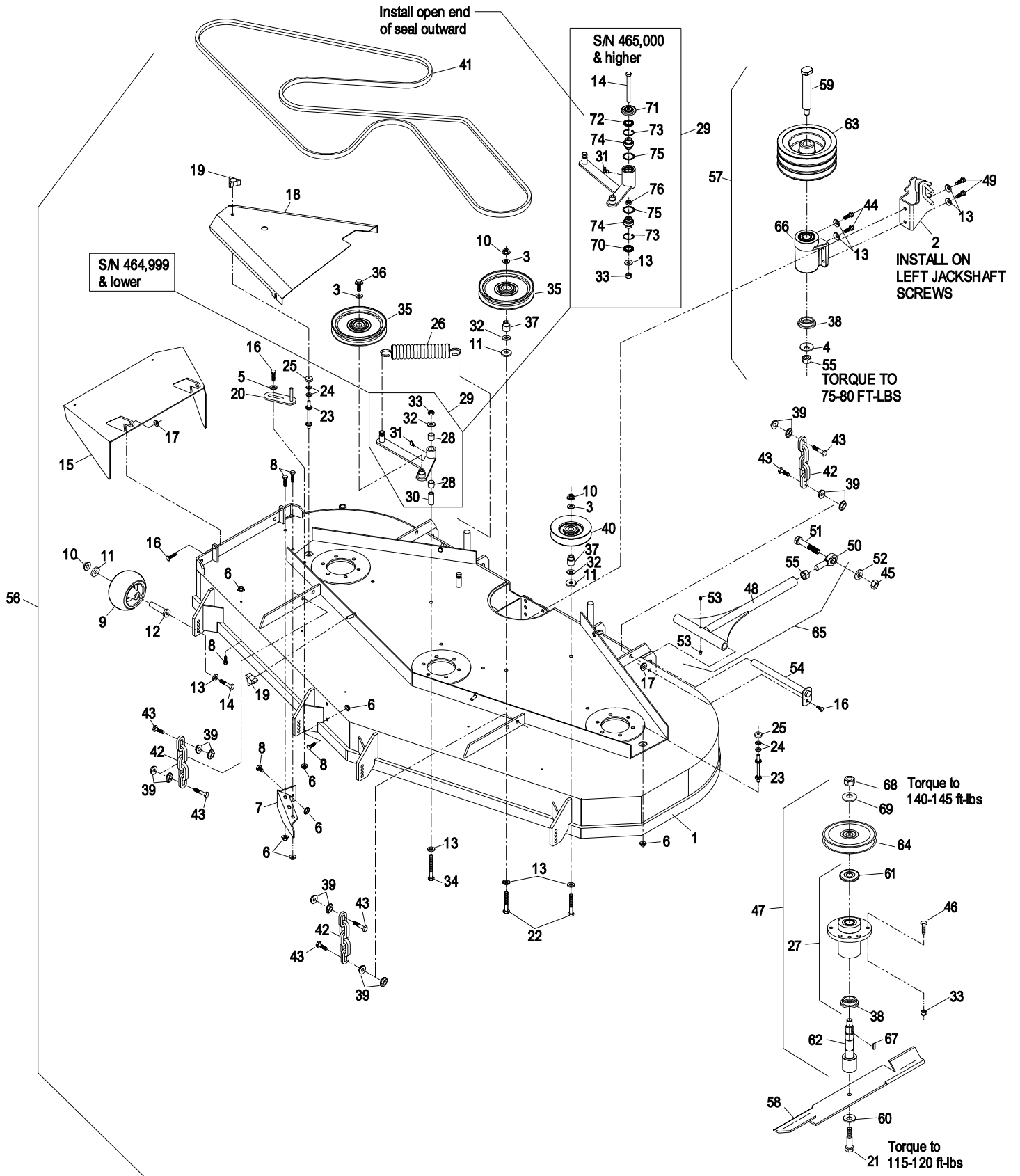
Item	Part No	Description	Qty
1	103-1591	Asm, Deck (103-3032-01) W/Decals.....	1
2	103-3445-01	Guard, Jackshaft Belt.....	1
3	3256-24	Washer, 3/8 SAE.....	3
4	1-513208	Washer, Disc Spring.....	1
5	1-303334	Washer, 5/16 Disc Spring.....	1
6	32128-20	Nut, 5/16-18 Whizlock.....	8
7	1-602913-01	Baffle Wldmt, Discharge.....	1
8	322-2	Screw, 5/16-18 x 5/8.....	6
9★	1-603299	Roller, Antiscalp.....	6
10	3290-357	Nut, 3/8-16 Whizlock.....	8
11	1-373034	Washer, Pivot.....	8
12	1-603602	Bushing, Roller.....	6
13	98-5975	Washer, 3/8 Disc Spring.....	13
14●	98-5961	Screw, 3/8-16 x 4 Gr 8.....	6
■	98-5961	Screw, 3/8-16 x 4 Gr 8.....	7
15	1-642071-01	Chute, Discharge 72".....	1
16	322-5	Screw, 5/16-18 x 1.....	5
17	3296-29	Nut, 5/16-18 Nylock.....	4
18	1-643076-01	Shield, Belt 72" (RH).....	1
	1-643075-01	Shield, Belt 72" (LH).....	1
19	1-323385	Knob, Belt Shield.....	6
20	1-322110	Belt Guide Wldmt.....	1
21	103-0862	Screw, 5/8-18 x 2 3/4 Gr 8.....	3
22	323-11	Screw, 3/8-16 x 2 1/4.....	2
23	1-303537	Stud, Belt Shield.....	2
24	3256-3	Washer 5/16 Std Flat.....	4
25	1-323417	Washer, Rubber.....	2
26	103-3330	Spring, Extension.....	1
27+	103-2547	Housing W/Bearings.....	3
28●	103-4681	Bearing, Pivot.....	2
29*	103-5693	Kit, Idler Arm (103-6528-01) W/Bearings.....	1
30●	1-603044	Bushing, Idler Pivot.....	1
31	302-40	Zerk, 1/4-20 90°.....	1
32●	3256-4	Washer, 3/8 Std Flat.....	4
■	3256-4	Washer, 3/8 Std Flat.....	2
33	3296-39	Nut, 3/8-16 Nyloc.....	19
34●	323-13	Screw, 3/8-16 x 2 3/4.....	1
35	1-633109	Idler Pulley 6.00 Dia Flat.....	2
36	3234-11	Bolt, 3/8-16 x 1 Flange.....	1
37	1-633456	Bushing, Idler.....	2
38	103-2535	Spacer, Guard Bottom.....	4

Item	Part No	Description	Qty
39	32128-37	Nut, 7/16-14 Whizlock.....	16
40	1-603805	Idler Pulley 5.06 O.D. V.....	1
41	1-643052	Belt, Blade Drive 72" Deck.....	1
42	1-633447	Chain.....	4
43	103-1898	Screw, 7/16-14 x 1-5/8 Sp.....	8
44	323-6	Screw, 3/8-16 x 1.....	2
45	3217-11	Nut, 5/8-11 Hex.....	2
46	323-8	Screw, 3/8-16 1 1/2.....	18
47◇	103-3206	Cutter Housing Complete.....	3
48	103-0100-01	Strut Wldmt, Deck.....	2
49	323-7	Screw, 3/8-16 x 1 1/4.....	2
50	1-633029	Spherical Rod End.....	2
51	327-28	Screw, 5/8-11 x 5 1/2.....	2
52	3253-8	Lockwasher, 5/8 Reg.Spring.....	2
53	302-19	Zerk, 1/4-28 Straight.....	4
54	1-632199-01	Pin Wldmt, Deck Strut.....	2
55	3219-6	Nut, 5/8-18 Hex.....	3
56▽	103-1590	Complete Deck Assy.....	1
57	1-643393	Jackshaft Assy.....	1
58	103-2531	Blade, Notched.....	3
	103-2511	Blade, Low Lift.....	3
◆	103-2521	Blade, Mulching.....	3
	103-1581	Blade, Solid.....	3
	103-6339	Blade, Extreme.....	3
59+	1-643393	Jackshaft.....	1
60	103-0865	Washer, Disc Spring.....	3
61+	103-1330	Guard, Bearing Top.....	3
62+	103-2785	Spindle.....	3
63+	103-5381	Sheave, Jackshaft Triple.....	1
64+	103-2795	Sheave, Blade Drive.....	3
65	103-0840	Strut Wldmt S/A.....	2
66+	103-2544	Asm, Jackshaft Hsg w/ Brgs.....	1
67	103-2982	Key, 1/4 x 3/16 x 3/4.....	3
68	3217-46	Nut, HH 3/4-16 Heavy.....	3
69	103-2802	Washer, Disc Spring 3/4.....	3
70■	103-3505	Seal, Double, Lip.....	1
71■	103-2916	Guard, Top.....	1
72■	103-3506	Seal, Single Lip.....	1
73■	32120-10	Ring, Retaining.....	2
74■	103-3504	Bearing, Spherical.....	2
75■	106-7159	O-ring.....	2
76■	103-5677	Spacer.....	1

Exmark red touch up spray paint - P/N 1-850337.

- + Apply Mobil HTS grease (P/N 103-5217 1.5 oz packet) (or a food-grade antisieze) between the jackshaft and bearings, jackshaft and sheaves, spindles and bearings, spindles and sheaves, and under top bearing guard. DO NOT use a copper or nickel based antisieze.
- ▽ Complete deck assembly does not include items 39, 42, & 43, but does include 2 belts (item 69, pg. 15).
- ★ Kit 103-3168 includes antiscalp roller, bushing, & mounting hardware.
- ◆ Requires installation of Micro-Mulch accessory for proper mulching. Mulch kit P/N MK724.
- ◇ Complete cutter housing assembly also includes items 60 & 21.
- This component is required for units with S/N 464,999 and lower.
- This component is required for units with S/N 465,000 and higher.
- * 103-5693 kit includes components shown for S/N 465,000 and higher and services all serial numbers.

72" DECK GROUP



FRONT FRAME GROUP

Item	Part No.	Description	Qty.
1▲	103-5839	Asm, Front Frame 60".....	1
▲	103-5475	Asm, Front Frame 72".....	1
2	302-19	Zerk, 1/4-28 Straight.....	5
3	103-3527	Asm, Floorpan (103-3242-01) w/Decals And Pads.....	1
4	1-633553	Pad, Anti Skid.....	2
5	103-2084	Lever (103-2083-03)W/Grip.....	1
6	1-633295	Grip, Lift Lever.....	1
7	103-2064-03	Arm Wldmt, Deck Lift.....	1
8	1-633325	Spring, Compression.....	1
9	3256-24	Washer, 3/8 SAE Flat.....	1
10	3296-39	Nut, Nyloc 3/8-16.....	5
11	32151-103	E-Ring.....	5
12	1-633068	Arm, Deck Lift.....	2
13	1-633889-01	Plate, Deck Lift.....	1
14	1-632899-01	Plate Wldmt, Deck Lift.....	1
15	1-633082	Bushing, Lift Lever.....	1
16	1-633080	Bushing, Lift Lever.....	1
17	323-13	Screw, 3/8-16 x 2 3/4.....	1
18	1-633097	Hitch Pin W/Lanyard.....	1
19	1-806005	Hairpin Cotter.....	1
20	323-9	Screw, 3/8-16 x 1 3/4.....	2
21	98-5975	Washer, 3/8 Disc Spring.....	16
22	3290-357	Nut, Whizlock 3/8-16.....	19
23	323-6	Screw, 3/8-16 x 1 60".....	1
	323-6	Screw, 3/8-16 x 1 72".....	5
24	323-7	Screw, 3/8-16 x 1 1/4.....	12
25	3256-29	Washer, 7/8 SAE Flat.....	4
26	1-633096	Rod, Deck Lift.....	2
27	3217-11	Nut, 5/8-11 Regular.....	6
28	1-633441	Swivel, Deck Mount.....	4
29	3256-7	Washer, 5/8 Std Flat.....	4
30	1-643015	Spring, Deck Support.....	2
31	3218-6	Jam Nut, 5/8-11.....	6
32	103-4882	Cap, Grease.....	2

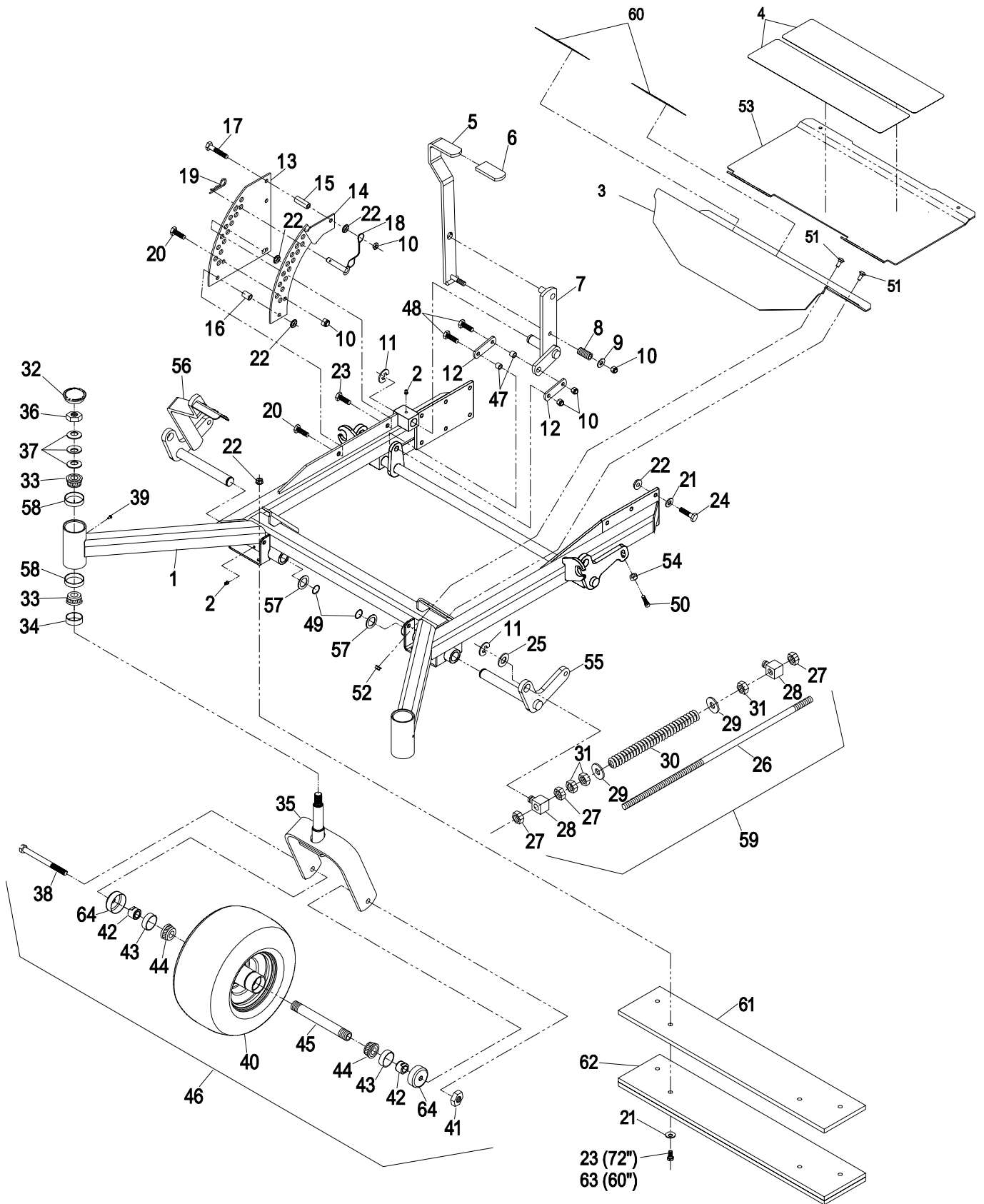
Item	Part No.	Description	Qty.
33	1-543509	Bearing Cone, Tapered Roller.....	4
34	1-543511	Seal, Grease.....	2
35	103-1474-01	Caster Wldmt.....	2
36	3296-51	Nut, 3/4-10 Nyloc.....	2
37	1-633508	Washer, Spring Disk.....	6
38	325-39	Screw, 1/2-13 x 9 1/2.....	2
39	1-811010	Plug.....	2
40	1-523009	13x6.5-6 4 Ply (Pneumatic).....	2
41	3296-23	Nut, 1/2-13 Nyloc.....	2
42+	103-3051	Spacer, Nut.....	4
43	103-0063	Seal, Bearing.....	4
44	1-633585	Bearing Cone.....	4
45	103-5156	Axle, Caster.....	2
46	103-5188	Asm, Caster Wheel (Pneumatic).....	2
	103-3799	Asm, Caster Wheel (Semi-Pneumatic).....	2
47	103-1918	Bushing.....	2
48	323-29	Screw, 3/8-16 x 1 3/8.....	2
49	32151-29	Ring, Retaining.....	2
50	3274-18	Screw, 5/16-18 x 1 1/4.....	2
51	3230-1	Bolt, Carriage 5/16-18 x .75.....	4
52	32128-20	Nut, Whizlock 5/16-18.....	4
53	103-3528	Asm, Floorpan (103-3241-01) w/pads & decals.....	1
54	3218-2	Jam Nut, 5/16-18.....	2
55	103-1955-01	Weldmt, Front Lift Shaft (LH).....	1
56	103-2013-01	Weldmt, Front Lift W/Lever(RH).....	1
57	1-523157	Washer, Spacer.....	2
58	1-543508	Bearing Cup, Tapered Roller.....	4
59	103-2047	Asm, Deck Lift Spring.....	2
60	106-6572	Pad, Antiskid.....	2
61	100-2333-01	Weight Bar, 60" & 72".....	1
62	99-4646-01	Weight Bar, 60".....	1
63	323-8	Screw, 3/8-16 x 1 1/2 60".....	4
64	103-2768	Guard, Seal.....	4

Exmark red touch up spray paint - P/N 1-850337.

✚ Use Pro-Lock, Nut Type (P/N 1-840022, .5ml tube) on spacer nut.

▲ Includes frame weldment plus items #32, #34, #39, #49, #55, #56, #57, and #58.

FRONT FRAME GROUP



MAIN FRAME GROUP

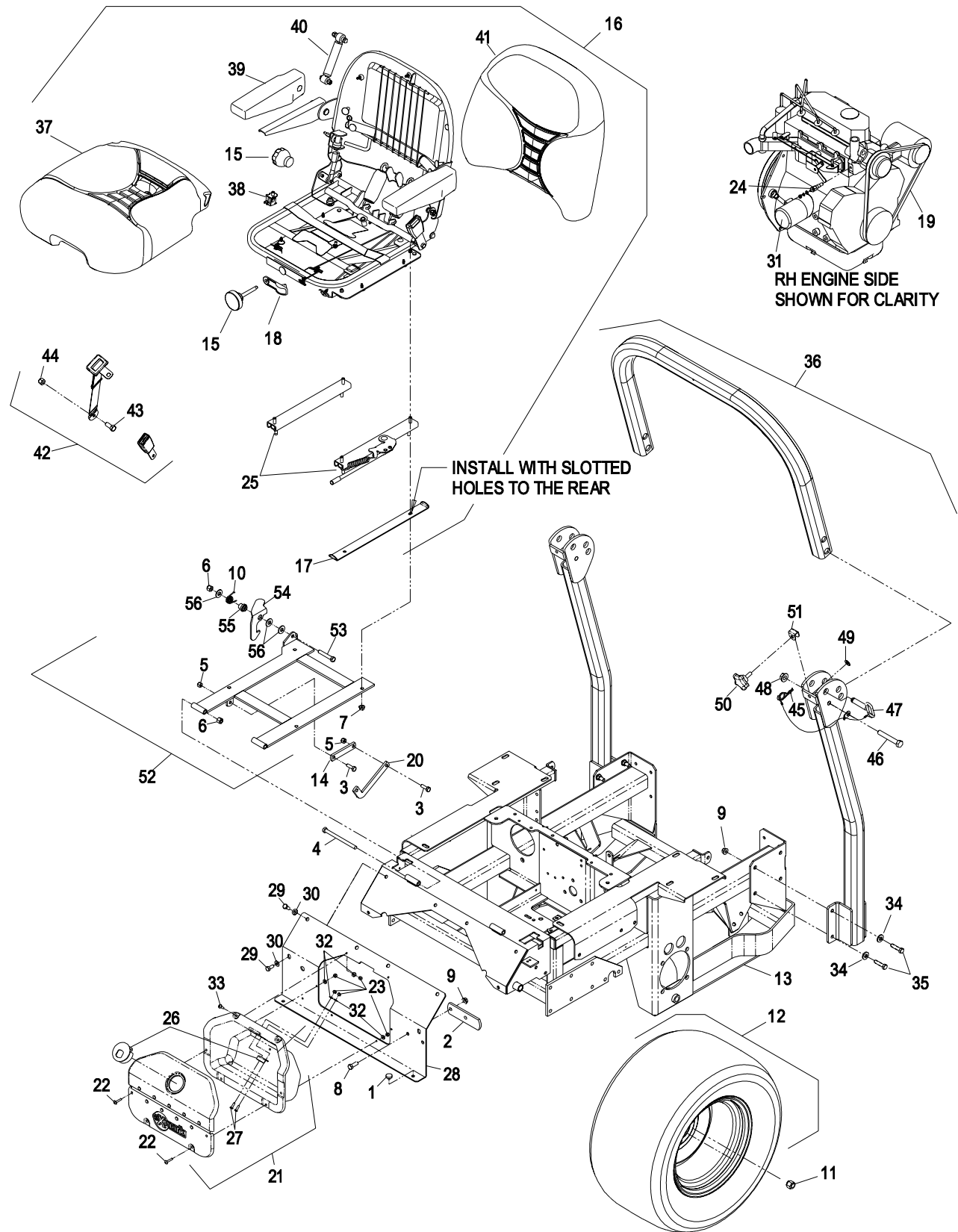
Item	Part No.	Description	Qty.
1	1-513658	Bumper.....	2
2	1-633964-03	Stop, Park Brake.....	1
3	322-5	Screw, 5/16-18 x 1.....	4
4	323-39	Screw, 3/8-16 x 5.....	2
5	3296-29	Nut, Nyloc 5/16-18.....	4
6	3296-39	Nut, Nyloc 3/8-16.....	3
7	32128-20	Nut, Whizlock 5/16-18.....	4
8	323-6	Screw, 3/8-16 x 1.....	2
9	3290-357	Nut, Whizlock 3/8-16.....	10
10	103-5519	Spring.....	1
11	242-50	Nut, Wheel 1/2-20.....	8
12	103-4962	Wheel/Tire Assy.....	2
	103-4963	Tire, 26x12-12 4 Ply.....	2
	1-633992	Wheel.....	2
13	103-5890	Asm, Engine Deck (103-6349-03) w/Decals.....	1
14	103-5161	Link, XP seat stop.....	2
15	107-1881	Knob Kit.....	1
16▲	LSSEAT	Seat, Suspension.....	1
17	1-633872-03	Stop, Seat.....	2
18	107-1885	Weight Indicator Kit.....	1
19	Briggs & Stratton	P/N 821075 Engine V-Belt.....	1
20	103-5181	Link, XP lower seat stop.....	2
21	103-3666	Asm, Cubby.....	1
22	32122-28	Screw, Truss HD #10-24 x 1.....	4
23	3296-2	Nut, Nylock #10-24.....	8
24●	103-0949	Sender, Temperature 1/8 NPT.....	1
25	107-1880	Seat Track Kit.....	1
26	103-3790	Latch, Cubby Door.....	1
27	3290-500	Screw-PPH #10-24x.62 Phillips.....	2

Item	Part No.	Description	Qty.
28	103-5254	Asm, Console(103-3665-03) w/Decals... 1	
29	322-3	Screw, 5/16-18 x 3/4..... 6	
30	3256-23	Washer, 5/16 SAE..... 6	
31+	Briggs & Stratton	P/N 820314 Oil Filter..... 1 Do Not Use Briggs & Stratton 491056	
32	3256-14	Washer, #10 std flat..... 8	
33	1-803075	Screw, Truss Hd #10-24 x 3/4..... 2	
34	98-5975	Washer, Spring Disk 3/8..... 8	
35	323-6	Screw, 3/8-16 x 1..... 8	
36◆	103-5597	Kit, XP ROPS Service..... 1	
37	107-1883	Bottom Cushion Kit..... 1	
38	107-1886	Switch Kit..... 1	
39	107-1887	Armrest Kit..... 1	
40	107-1884	Shock Absorber Kit..... 1	
41	107-1882	Back Cushion Kit..... 1	
42	103-4469	Kit, Seat Belt..... 1	
43	3212-4	Screw, 7/16-20 x 1.0..... 2	
44	3296-38	Nut, Nyloc 7/16-20..... 2	
45	107-3155	Cotter, Hair Pin Double Loop..... 2	
46	325-13	Screw, 1/2-13 x 3 1/4..... 2	
47■	103-4553	Asm, ROPS Fold Pin..... 2	
48	32128-23	Nut, Hex Flange Side Lock 1/2-13..... 2	
49	107-3154	Nut, Push 3/8-16..... 2	
50	106-0887	Knob..... 2	
51	107-3124	Clip..... 2	
52	103-5537	Asm, Seat Frame..... 1	
53	323-10	Screw, 3/8-16 x 2..... 1	
54	103-5520	Latch, Seat..... 1	
55	107-0075	Bushing..... 1	
56	3256-4	Washer, Flat Std 3/8..... 3	

Exmark black touch up spray paint – Gloss black

- Includes ROPS fold pin plus hairpin, item #45.
- ◆ Rollover protection frame is serviced as a complete assembly only. Includes complete ROPS frame, mounting hardware, fold pivot and locking hardware, seat frame assembly item #52, and seat belt assembly item #42.
- + Refer to Engine Owner's Manual.
- ▲ Includes seat assembly plus tracks item #25, seat stops item #17, and seat wiring harness (item #44 pg. 25). Does not include seat belt assembly item #42.
- Use Teflon pipe sealant on pipe threads on temperature sending unit.

MAIN FRAME GROUP



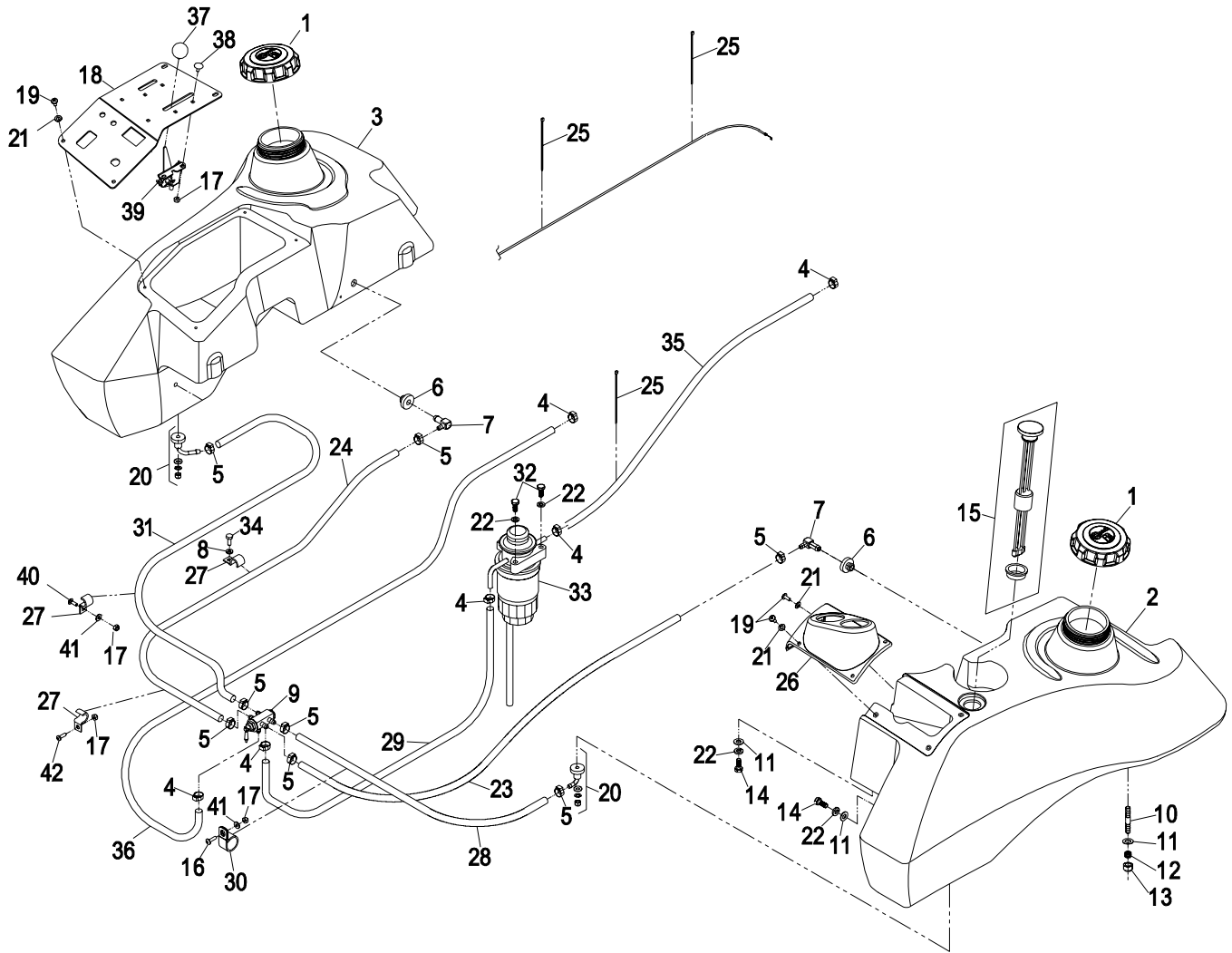
27 HP DIESEL FUEL GROUP

Item	Part No.	Description	Qty.
1	103-3991	Cap, Diesel Fuel Tank	2
2*	103-4879	Asm, Fuel Tank (LH).....	1
3*	103-4880	Asm, Fuel Tank (RH).....	1
4▲	1-643277	Clamp, 5/16 I.D. Fuel Hose.....	6
5▲	1-643293	Clamp, 1/4 I.D. Fuel Hose.....	8
6	1-513645	Bushing, Fuel Valve	2
7	1-643172	Elbow, 90°.....	2
8	1-805004	Washer, Lock 1/4.....	1
9	1-643234	Valve, Fuel Dual Flow	1
10◆	1-633023	Stud, Fuel Tank	6
11	3256-23	Washer, Flat SAE 5/16	10
12	1-633349	Spring, Fuel Tank.....	6
13	3296-47	Nut, Thin Nyloc 5/16-18	6
14	322-3	Screw, 5/16-18 x 3/4	4
15	103-6564	Kit, Fuel Gauge.....	1
16	1-803075	Screw, Truss HD #10-24 x 3/4	1
17	3296-2	Nut,#10-24 Nyloc	5
18	103-5252	Asm, Control Panel (103-3678-03) w/decals.....	1
19▽	32122-30	Screw,#10-24 x 1/2 Truss Hdms	8
20★	103-2615	Fitting, Fuel Bulkhead	2
	103-2784	O-Ring	1
21	1-303435	Washer, Spring Disc 1/4	8

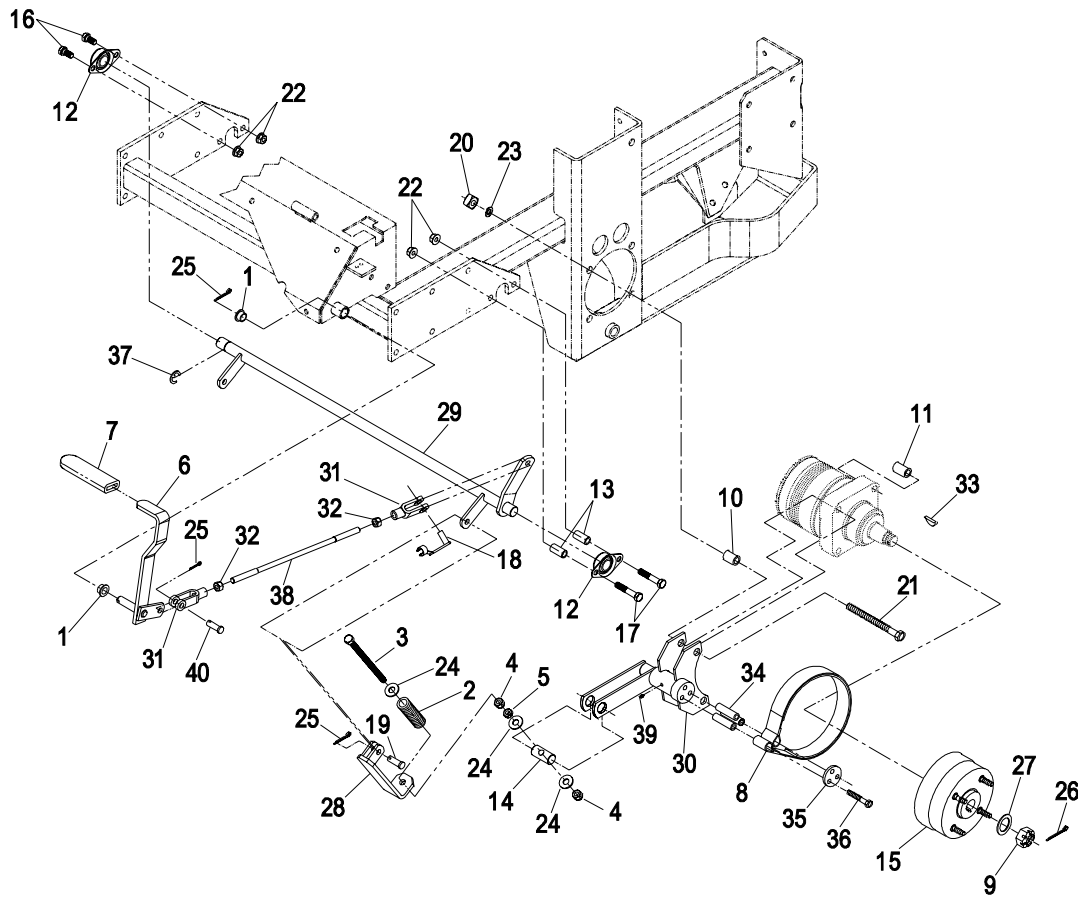
Item	Part No.	Description	Qty.
22	1-805005	Washer, Lock 5/16.....	6
23	103-4971	Hose, Fuel 1/4 x 42.....	1
24	103-4972	Hose, Fuel 1/4 x 35.....	1
25	1-303335	Plastic Tie.....	3
26	103-3684	Bezel, Gauge.....	1
27	103-1193	Clip, Loom Half	3
28	103-1419	Hose, Fuel 1/4 x 32.....	1
29	1-643239	Hose ,Fuel 5/16 x 28.....	1
30	1-643312	Clip, Loom	1
31	1-543526	Hose, Fuel 1/4 x 24.....	1
32	33114-020	Screw, M8-1.25 x 20mm	2
33◇	Briggs & Stratton	P/N 820311 Fuel Filter.....	1
34	321-3	Screw, 1/4-20 x 5/8.....	1
35	103-1693	Hose, Fuel 5/16 x 41.....	1
36	103-1428	Hose ,Fuel 5/16 x 47.....	1
37	1-513592	Knob, Red (Throttle)	1
38	1-807513	Bolt, Carriage #10-24 x 1/2	2
39	103-1450	Cable, Throttle	1
40	1-807533	Bolt, Carriage #10-24 x 5/8	1
41	3256-14	Washer, Washer, #10 Std	2
42	3290-500	Screw, Machine #10-24x5/8.....	1

- ◆ Use Pro-Lock, Retaining type (Part No. 1-840023), .5cc tube on stud threads going into the tank.
- ◇ Refer to Engine Owner's Manual.
- ▽ Snug fit only on slotted holes, **Do Not Overtighten**, tank must be able to expand.
- ▲ Clamps require special pliers P/N 1-643394 (Oetiker P/N 14100118 or Kohler P/N 2445505) for installation.
- ★ Use Prolock, Nut type (Part No. 1-840022), .5ml tube on fuel fitting.
- * Includes tank, cap, fittings, and studs. LH tank also includes fuel gauge.

27 HP DIESEL FUEL GROUP



PARK BRAKE GROUP

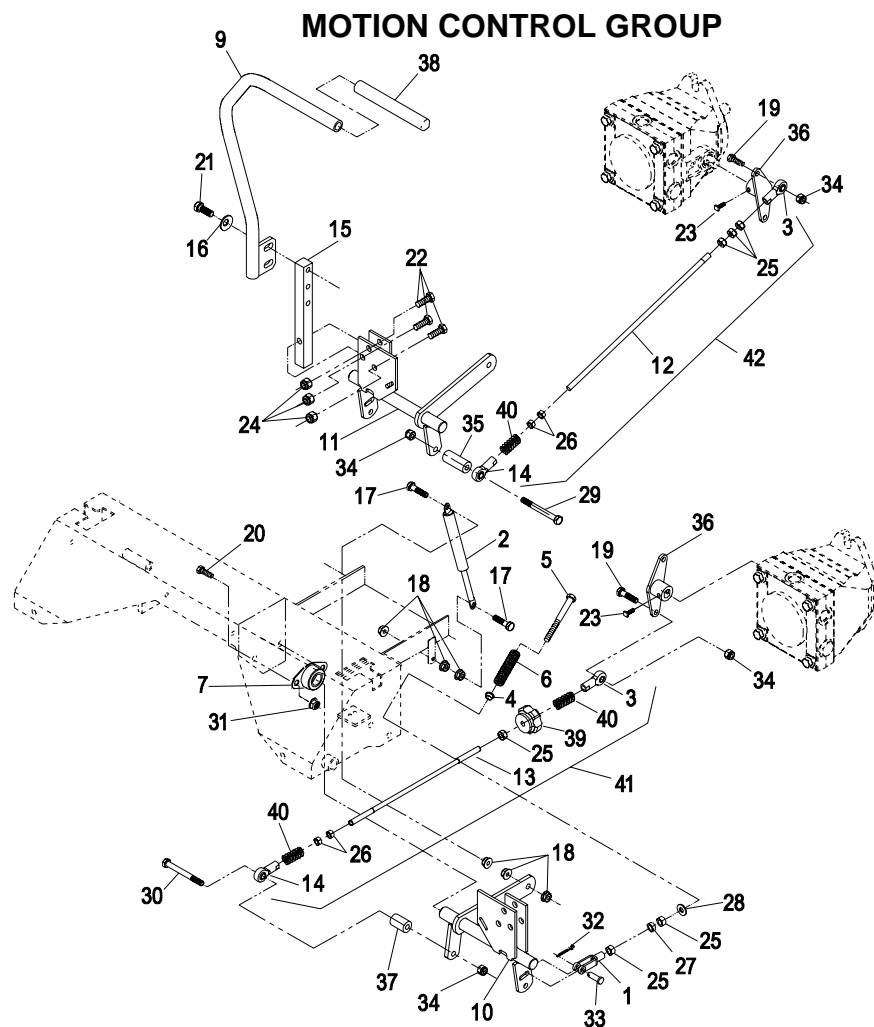


Item	Part No.	Description	Qty.
1	1-513140	Bushing.....	2
2	1-633454	Spring, Brake Rod.....	2
3	323-58	Bolt, Tap 3/8-16 x 6.....	2
4	3296-39	Nut, Nyloc 3/8-16.....	4
5	3218-3	Nut, Jam 3/8-16.....	2
6	103-0197	Lever (103-0201-03) W/Grip.....	1
7	1-633268	Grip, Brake Lever.....	1
8	103-0355	Band, Brake.....	2
9	1-809036	Nut, Slotted 1.00-20.....	2
10	1-633380	Spacer (Short)(60").....	4
	1-633060	Spacer (Short)(72").....	4
11	1-633382	Spacer (Long)(60").....	4
	1-633062	Spacer (Long)(72").....	4
12	1-633102	Bearing, Flange.....	2
13	103-0051	Spacer, Brake Retainer.....	2
14	1-633144	Pin, Trunion.....	2
15	103-0590	Hub & Drum W/Studs, Wheel.....	2
◆	1-633926	Studs, Wheel.....	8
16	323-4	Screw, 3/8-16 x 3/4.....	2
17	323-10	Screw, 3/8-16 x 2.....	2
18	103-2399	Pin, Clevis Spring 3/8.....	1
19	1-808284	Pin, Clevis 3/8 x 1.....	2
20	103-0131	Nut, Sq Reg 1/2-13 UNC-2B.....	8

Item	Part No.	Description	Qty.
21	325-17	Screw, 1/2-13 x 4 (60").....	8
	325-20	Screw, 1/2-13 x 6 (72").....	8
22	3290-357	Nut, Whizlock 3/8-16.....	4
23	3253-7	Washer, Lock 1/2.....	8
24	3256-4	Washer, 3/8 Std.....	6
25	3272-10	Pin, Cotter 1/8 x 3/4.....	4
26	1-806800	Pin, Cotter 9/64 x 1 1/2.....	2
27	1-523157	Washer, Spacer.....	2
28	103-1117-03	Lower Brake Linkage.....	2
29	103-5243-03	Brake Shaft.....	1
30	103-0810-03	Bracket, Brake (72").....	2
	103-0844-03	Bracket, Brake (60").....	2
31	1-633131	Yoke.....	2
32	3219-3	Nut, 3/8-24.....	2
33	3257-42	Woodruff Key, 5/16 x 1.....	2
34	103-0384	Spacer.....	6
35	103-0374	Retainer, Brake Band.....	2
36	322-9	Screw, HH .312-18 x 1.75.....	6
37	32151-48	E-Ring, Retaining.....	1
38	103-1708	Rod, Brake.....	1
39	1481	Zerk, 1/4-28 45° (60").....	2
	302-19	Zerk, 1/4-28 Straight (72").....	2
40	1-808285	Pin, Clevis 3/8 x 1 1/4.....	1

Exmark black touch up spray paint – Gloss black

◆ Not Illustrated



Item	Part No.	Description	Qty.
1	1-303105	Yoke	2
2	103-4079	Damper	2
3	1-543017	Ball Joint (RH).....	2
4	1-603735	Bushing, Nylon.....	2
5	1-603737	Bolt, (Neutral Return).....	2
6	1-603807	Spring, (Neutral Return).....	2
7	1-633102	Bearing, Flanged.....	4
8*	103-3457	LH Lever/Grip Asm	1
9	103-3458	RH Lever/Grip Asm	1
10	103-4787	Bracket, Motion Control (LH).....	1
11	103-4788	Bracket, Motion Control (RH).....	1
12	103-5182	Link, Hydro Connecting (RH)	1
13	103-3065	Link, Hydro Connecting (LH)	1
14	1-633152	Ball Joint (LH)	2
15	103-0407	Arm, Control Shaft	2
16	98-5975	Washer, Disc Spring 3/8	4
17	1-403180	Screw, 5/16-18 x 1 3/8(Grn)	4
18	32128-20	Nut, 5/16-18	12
19	322-6	Screw, 5/16-18 x 1 1/4	2
20	323-4	Screw, 3/8-16 x 3/4	8
21	323-6	Screw, 3/8-16 x 1	4

Item	Part No.	Description	Qty.
22	323-9	Screw, 3/8-16 x 1 3/4	6
23◇	1-803022	Set Screw, 5/16 x 5/8.....	2
24	3296-39	Nut, Nyloc 3/8-16	6
25	3219-2	Nut, 5/16-24	8
26	1-804524	Nut, 5/16-24 LH	4
27	3220-2	Nut, Jam 5/16-24	2
28	3256-2	Washer, 1/4	2
29	322-14	Screw, 5/16-18 x 3	1
30	322-12	Screw, 5/16-18 x 2 1/2	1
31	3290-357	Nut, Whizlock 3/8-16	8
32	3272-5	Pin, Cotter 3/32 x 1/2	2
33	1-808280	Pin, Clevis 5/16 x 1	2
34	3296-29	Nut, Nyloc 5/16-18	4
35	103-5192	Spacer, Hyd Control (RH)	1
36	103-0194-03	Arm, Pump Control	2
37	103-1361	Spacer, Hyd Control (LH).....	1
38	103-3456	Grip, Motion Control Handle.....	2
39	103-3060	Knob, Tracking	1
40	1-323245	Spring, Compression	3
41	103-3062	Asm, Tracking Rod Linkage (LH).....	1
42	103-5190	Asm, Tracking Rod Linkage (RH)	1

Exmark black touch up spray paint – Gloss black.

* Not illustrated.

◇ Use Pro-Lock, Nut Type (P/N 1-840022, .5ml tube) on setscrews.

COMMON ENGINE DECK GROUP

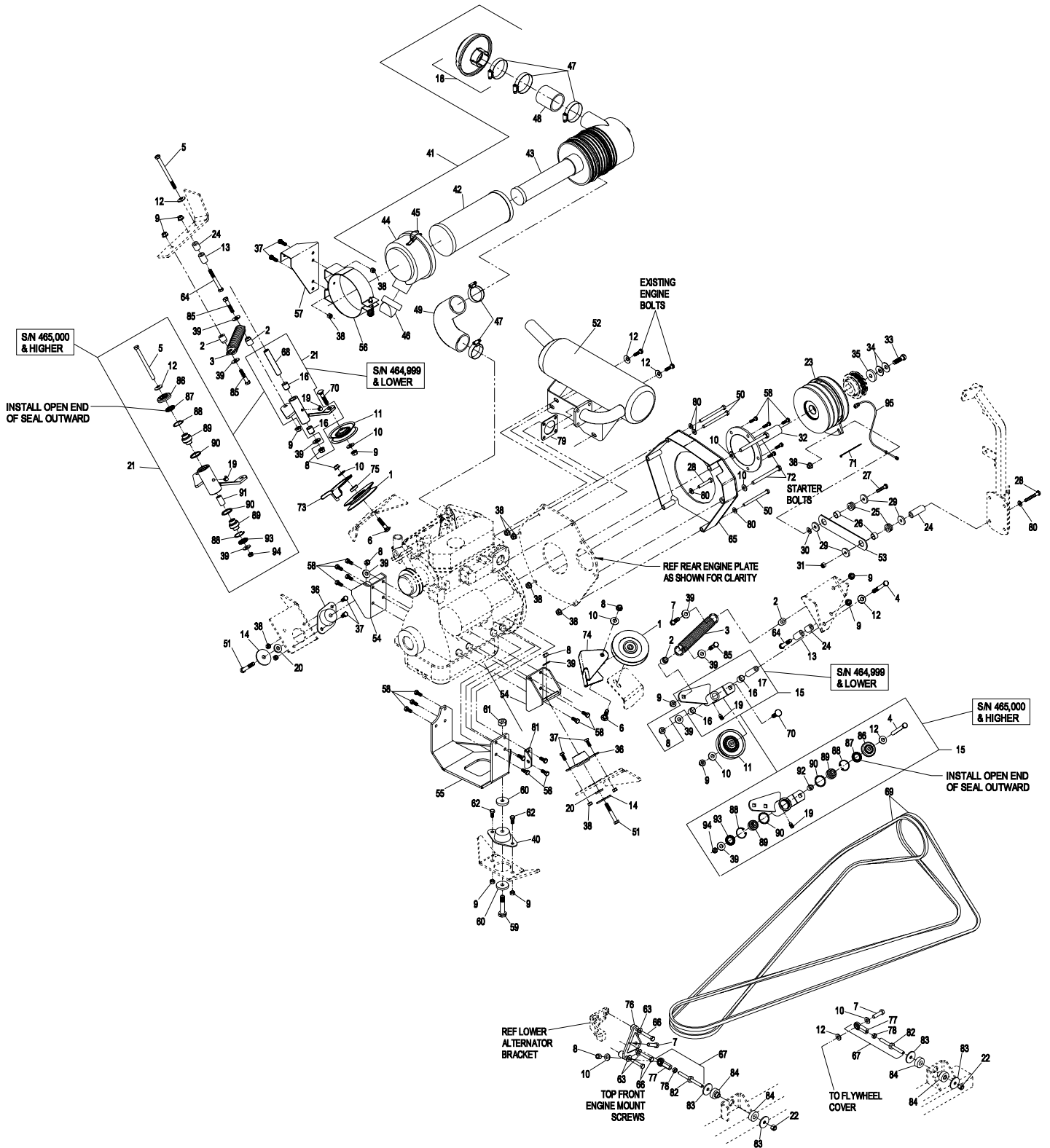
Item	Part No.	Description	Qty.
1	103-0984	Sheave, Stationary Idler.....	2
2	103-1503	Spacer, Belt Tightener	4
3	103-1767	Spring, Belt Tightener	2
4	323-16	Screw, 3/8-16 x 4	1
5	323-23	Screw, 3/8-16 x 4 1/2	1
6	3231-40	Bolt, Carr 3/8-16 x 2 1/4	2
7+	323-8	Screw, 3/8-16 x 1 1/2	3
8●	3296-39	Nut, Nyloc 3/8-16	7
■	3296-39	Nut, Nyloc 3/8-16	5
9	3290-357	Nut, Whizlock 3/8-16.....	9
10	3256-24	Washer, Flat SAE 3/8	6
11	103-0983	Sheave, Tightener.....	2
12	98-5975	Washer, 3/8 Disc Spring	5
13	103-1361	Spacer, Stop Bolt.....	2
14	83-1040	Washer, Side Mount Fail-Safe	2
15*	103-5696	Kit, Mule Idler LH (103-5671-03) W/Bearings	1
16●	1-513034	Bearing, Sleeve.....	4
17●	103-0919	Bushing, Tightener Pivot LH	1
18	100-2436	Hood, Air Intake W/Clamp	1
19	302-40	Zerk, 1/4-20 90°	2
20	66-6480	Washer, Side Mnt Spacer.....	2
21*	103-5697	Kit, Mule Idler RH (103-5672-03) W/Bearings	1
22	3296-6	Nut, Nyloc 3/8-24	2
23	103-0083	Asm, Clutch W/Tie Warner	1
24	103-0193	Spacer, Clutch Strap.....	3
25	1-633630	Grommet.....	2
26	1-633545	Spacer, Grommet	2
27	322-6	Screw, 5/16-18 x 1 1/4	1
28	322-12	Screw, 5/16-18 x 2 1/2	2
29	1-613235	Washer	4
30	3256-3	Washer, Flat Std 5/16	1
31	3296-29	Nut, Nyloc 5/16-18	1
32	103-0286	Shaft, Engine Stub.....	1
33	3212-6	Screw, 7/16-20 x 1 1/2	1
34	1-603610	Washer, Spring Disc 7/16	2
35	1-543610	Washer, Clutch	1
36	103-2613	Isolator, LH/RH	2
37	322-3	Screw, 5/16-18 x 3/4	6
38	32128-20	Nut, Whizlock 5/16-18.....	11
39	3256-4	Washer, Flat Std 3/8	8
40	103-1022	Isolator, Rear	1
41	103-5178	Asm, 5" Canister Air Filter W/Hood.....	1
42	103-1327	Filter, Air	1
43	103-1326	Filter, Safety Air	1
44	103-1060	Cover, Air Filter W/Latch.....	1
45	1-643283	Latch, Air Cleaner	1
46	87-9400	Valve, Vacuator	1

Item	Part No.	Description	Qty.
47	2412-42	Clamp, Air Cleaner Hose	4
48	103-5198	Hose, Plenum To Air Cleaner	1
49	103-0921	Hose, Air Cleaner To Engine	1
50	322-14	Screw, 5/16-18 x 3.....	3
51	323-12	Screw, 3/8-16 x 2 1/2	2
52	103-2592	Kit, Muffler	1
53	103-0192-03	Strap, Clutch/Brake	1
54	103-0839-03	Mount, Engine LH & RH.....	2
55	103-0870-03	Mount, Rear Engine.....	1
56	103-1058	Bracket, Air Filter.....	1
57	103-0953-03	Mount, Air Filter	1
58+	33114-020	Screw, M8-1.25 x 20mm.....	18
59	325-10	Screw, 1/2-13 x 2 1/2	1
60	86-1990	Washer, Thrust.....	2
61	3296-23	Nut, Nyloc 1/2-13	1
62	323-5	Screw, 3/8-16 x 7/8.....	2
63	1-303334	Washer, 5/16 Disc Spring	3
64	323-13	Screw, 3/8-16 x 2 3/4.....	2
65	103-3573-03	Wld, Flywheel Cover.....	1
66	33114-045	Screw, M8-1.25 x 45mm.....	3
67	103-3745	Asm, A-T Link.....	2
68●	103-0040	Bushing, Tightener Pivot RH.....	1
69	103-0881	Belt, Mule Drive	2
70	3231-4	Bolt, Carr 3/8 x 1 1/2.....	2
71	1-303335	Tie, Plastic.....	2
72	56-2150	Screw, M10-1.25 x 80mm	2
73	103-4039-03	Wld, XP RH Sheave Guard.....	1
74	103-4011-03	Wld, XP LH Sheave Guard	1
75	103-3186	Spacer, RH Sheave Guard	1
76	103-3556-03	Wld, Front A-T Eng Brkt	1
77	103-0608	Rod End, 3/8-24 Female.....	2
78	3220-3	Nut, 3/8-24 Jam.....	2
79	103-1385	Gasket, Muffler	1
80	3256-23	Washer, Flat SAE 5/16	4
81	103-3908	Bracket, Ground	1
82	103-3567	Link, A-T.....	2
83	93-6099	Washer, 3/8 ID x 1.5 OD.....	4
84	103-3568	Isolator, A-T Link	2
85	323-9	Screw, 3/8-16 x 1 3/4	3
86■	103-2916	Guard, Top	2
87■	103-3506	Seal, Single Lip.....	2
88■	32120-10	Ring, Retaining	4
89■	103-3504	Bearing, Spherical	4
90■	106-7159	O-ring	4
91■	1-603401	Spacer.....	1
92■	1-413088	Spacer.....	1
93■	103-3505	Seal, Double Lip	2
94■	3296-59	Nut, Nyloc 3/8-16 Thin	2
95◆	103-3247	Kit, Clutch Jumper Harness	1

Exmark black touch up spray paint – gloss black.

- + Use Prolock, Nut type (1-840022) on screws threaded into block, and rear A-T link to Rear Engine Bracket screw.
- This component is required for units with S/N 464,999 and lower.
- This component is required for units with S/N 465,000 and higher.
- * 103-5696 and 103-5697 kits include components shown for S/N 465,000 and higher and service all serial numbers.
- ◆ Includes jumper harness, clip and 2 plastic ties item #71.

COMMON ENGINE DECK GROUP



UPPER FRAME GROUP

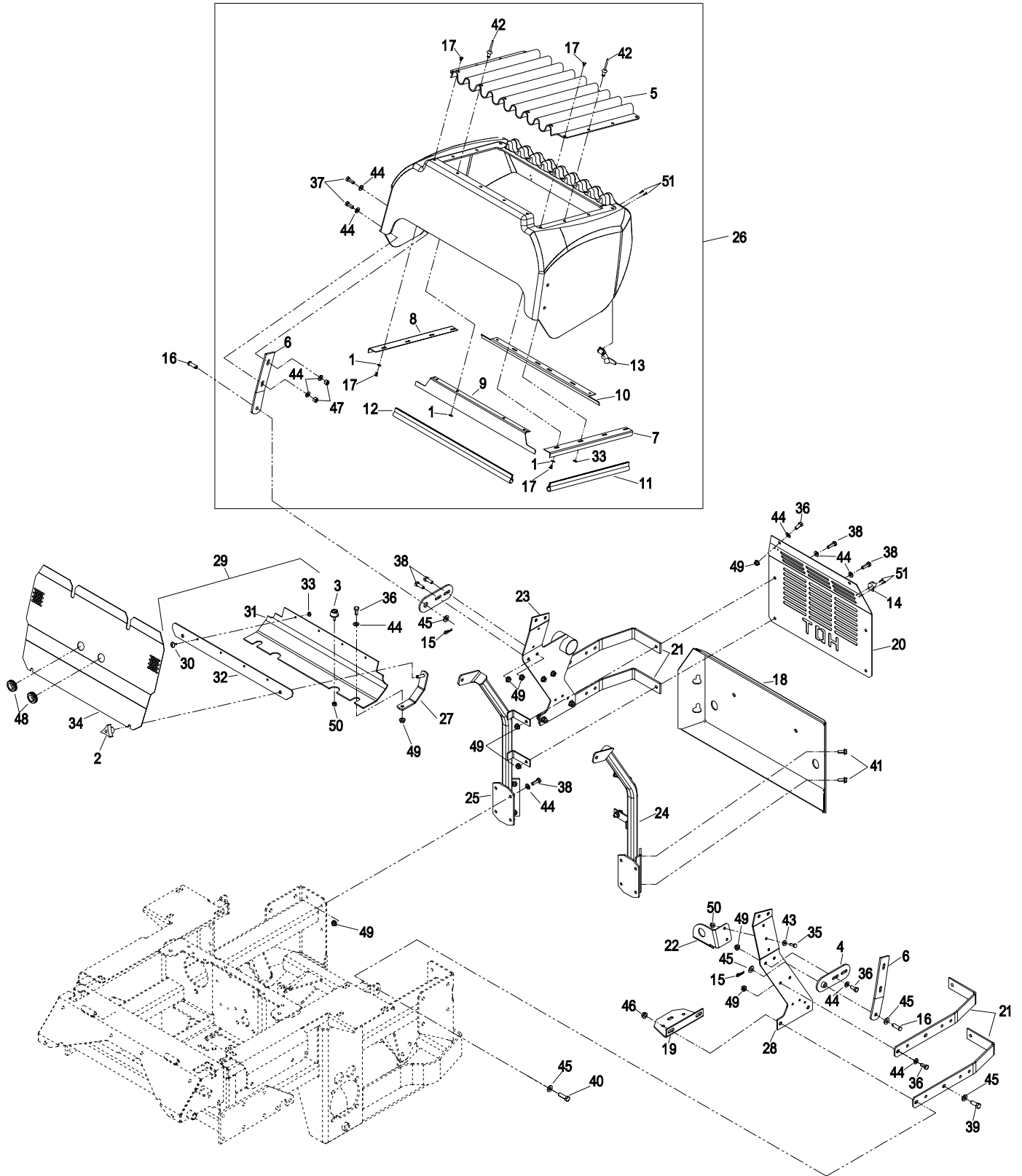
Item	Part No.	Description	Qty.
1	1-303435	Washer, Disc Spring 1/4	7
2	1-323385	Knob, 3-Prong	2
3	1-523420	Bumper	2
4	1-632986-03	Wld, Hinge Shackle	2
5	1-633864-03	Screen, Radiator	1
6	1-633885-03	Plate, Hood Hinge	2
7	1-643105-03	Angle, Radiator LH	1
8	1-643106-03	Angle, Radiator RH	1
9	1-643107-03	Angle, Radiator Top	1
10	1-643108-03	Angle, Radiator Bottom	1
11	1-643186	Seal, Trim 14"	2
12	1-643187	Seal, Trim 20"	2
13	1-643188	Latch, Rubber Hood	2
14	1-643189	Keeper, Rubber Latch	2
15	1-806003	Pin, Hair Cotter .080 #2	2
16	1-808285	Pin, Clevis	2
17	103-1363	Rivet, .25 Ratchet	4
18	103-1479-03	Wld, Rear Bumper	1
19	103-2603-03	Bracket, Bottle	1
20	103-4855-03	Guard, Muffler	1
21	103-4993	Bar, Radiator Mount Frame (103-4906-03) W/Decal	4
22	103-4982-03	Bracket, Buzzer	1
23	103-5123-03	Wld, RH Rad & AC Support	1
24	103-5157-03	Wld, Rear Upper Frame LH	1
25	103-5158-03	Wld, Rear Upper Frame RH	1
26♦	103-5886	Asm, Hood	1

Item	Part No.	Description	Qty.
27	103-5163-03	Wld, Engine Belt Shield Mount	2
28	103-5169-03	Mount, Side LH	1
29	103-5884	Asm, Engine Belt Shield (103-5230) W/Decals	1
30	1-803035	Rivet, Pop 3/16 x 1/4	4
31	103-4987	Shield, Engine	1
32	103-4988-03	Strip, Belt Shield	1
33	3256-14	Washer, Flat .216 x .500 x .065	4
34	103-5170	Panel, Engine Access (103-5497-03) W/Decals	1
35	321-4	Screw, HH 1/4-20 x 3/4	2
36	322-3	Screw, HH 5/16-18 x 3/4	9
37	322-4	Screw, HH 5/16-18 x 7/8	4
38	322-5	Screw, HH 5/16-18 x 1	14
39	323-6	Screw, HH 3/8-16 x 1	2
40	323-7	Screw, HH 3/8-16 x 1 1/4	2
41	3234-47	Screw, Flange 5/16-18	4
42	1-803072	Rivet	15
43	3256-22	Washer, Flat .218 x .625	2
44	3256-23	Washer, Flat .344 x .688	31
45	3256-24	Washer, Flat .406 x .080	8
46	3290-357	Nut, Flange Whizlock 3/8-16	4
47	3296-29	Nut, Lock 5/16-18	4
48	100-3815	Grommet	2
49	32128-20	Nut, HF Serrated 5/16-18	23
50	32128-33	Nut, HF Serrated 1/4-20	4
51	923786	Rivet, Pop	8

Exmark black touch up spray paint – gloss black.

★ Hood assembly comes with hood hinges item #6, screen, radiator brackets, seals and decals.

UPPER FRAME GROUP



ENGINE COOLING GROUP

Item	Part No.	Description	Qty.
1	322-1	Screw,5/16-18 x 1/2	6
2	3256-23	Washer,Flat	16
3	1-643161	Cap,Radiator.....	1
4	103-3347	Asm, Radiator Top (103-0940-03) w/Decals	1
5	3296-2	Nut,Nyloc #10-24	1
6	1-803075	Screw,#10-24 x.75 Crosstruss	1
7	103-1352	Shield,Radiator Fill Neck.....	1
8	103-0891	Radiator,IHT #DA12-10900.....	1
9	103-0898	Shroud,Engine Cooling	1
10	103-5172	Asm, Radiator Bottom (103-4854-03) w/Decals	1
11	32128-20	Nut,Whizlock 5/16-18.....	10
12	322-3	Screw,5/16-18 x 3/4	16
13	3256-3	Washer, Flat 5/16	4
14	103-1445	Hose,.31 ID x 37.00	1
15	1-643164	Cap,Tank Overflow	1
16	1-643131	Hose,.25 ID x 22.00	1
17	1-643163	Tank,Overflow.....	1
18	1-513645	Bushing,Valve Fuel	1

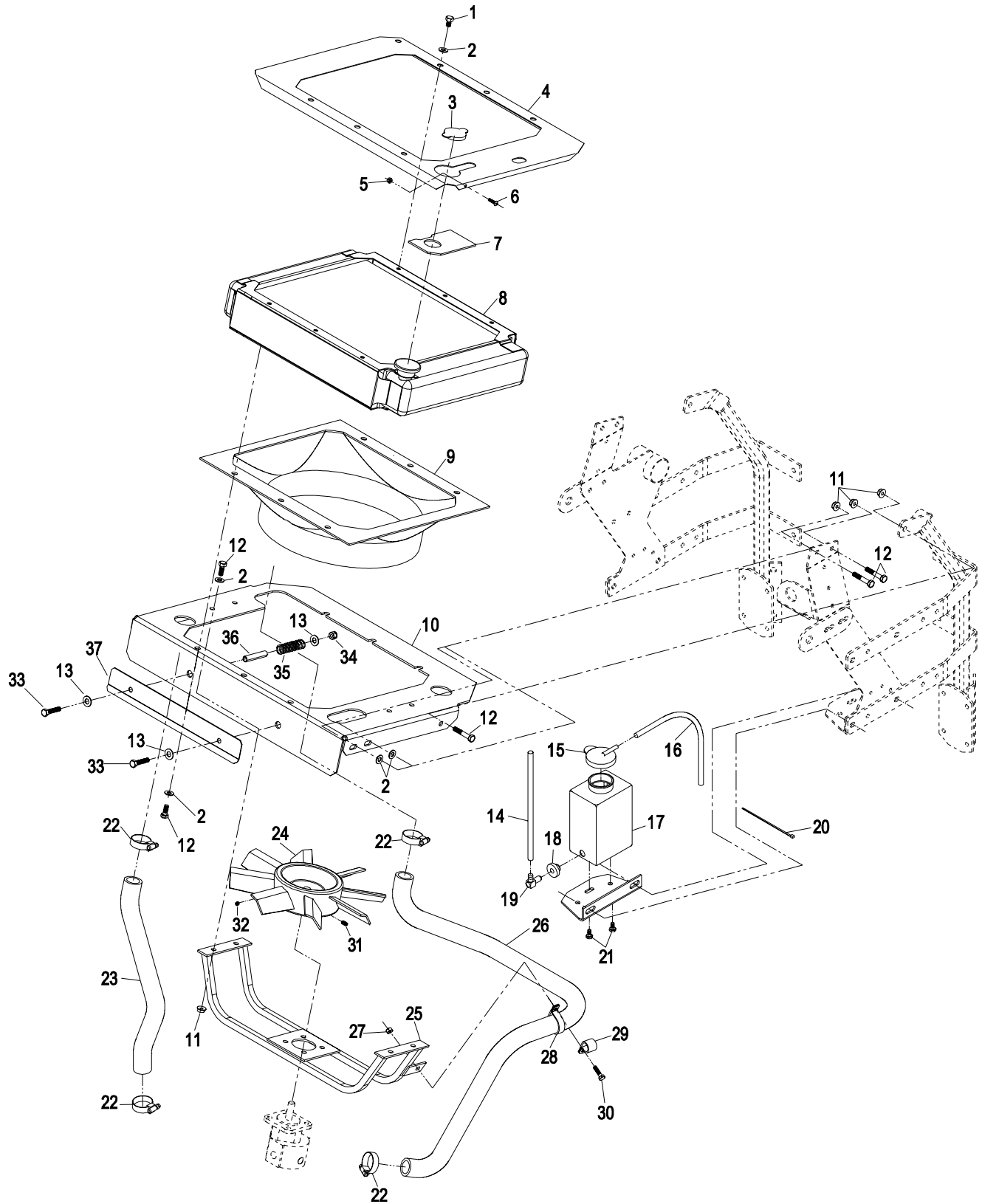
Item	Part No.	Description	Qty.
19	1-643259	Fitting,Elbow.....	1
20	1-303287	Tie,Plastic 5.5 x .044 x .1.....	3
21	321-2	Screw,1/4-20 x 1/2.....	2
22	1-633989	Clamp,Hose.....	4
23	103-2505	Hose,Engine Outlet.....	1
24●	103-0892	Fan,Crowley	1
25	103-0086-03	Wld,Fan Motor Mount	1
26	103-0922	Hose,Engine Inlet	1
27	3296-42	Nut,Nyloc 1/4-20.....	1
28	103-0113	Clip,Loom 1.38	1
29	1-513762	Clip,Loom .50	1
30	321-6	Screw,1/4-20 x 1.0.....	1
31	3245-44	Setscrew 1/4-20 x 3/8	1
32*	909848	Setscrew,1/4-20 x 1/4	1
33	322-14	Screw,HHCS 5/16-18 x 3.00	2
34	3296-29	Nut, Nyloc 5/16-18.....	2
35	1-513296	Spring, Compression	2
36	103-5223	Spacer, .31 IDx.44 ODx2.25	2
37	103-4986	Bracket, Air Deflector.....	1

Exmark black touch up spray paint – gloss black.

* Setscrew is installed over keyway.

● Before installing fan, be sure to apply Mobil HTS grease(P/N 103-5217 1.5 oz packet) to fan motor shaft next to the seal.

ENGINE COOLING GROUP



HYDRAULIC GROUP

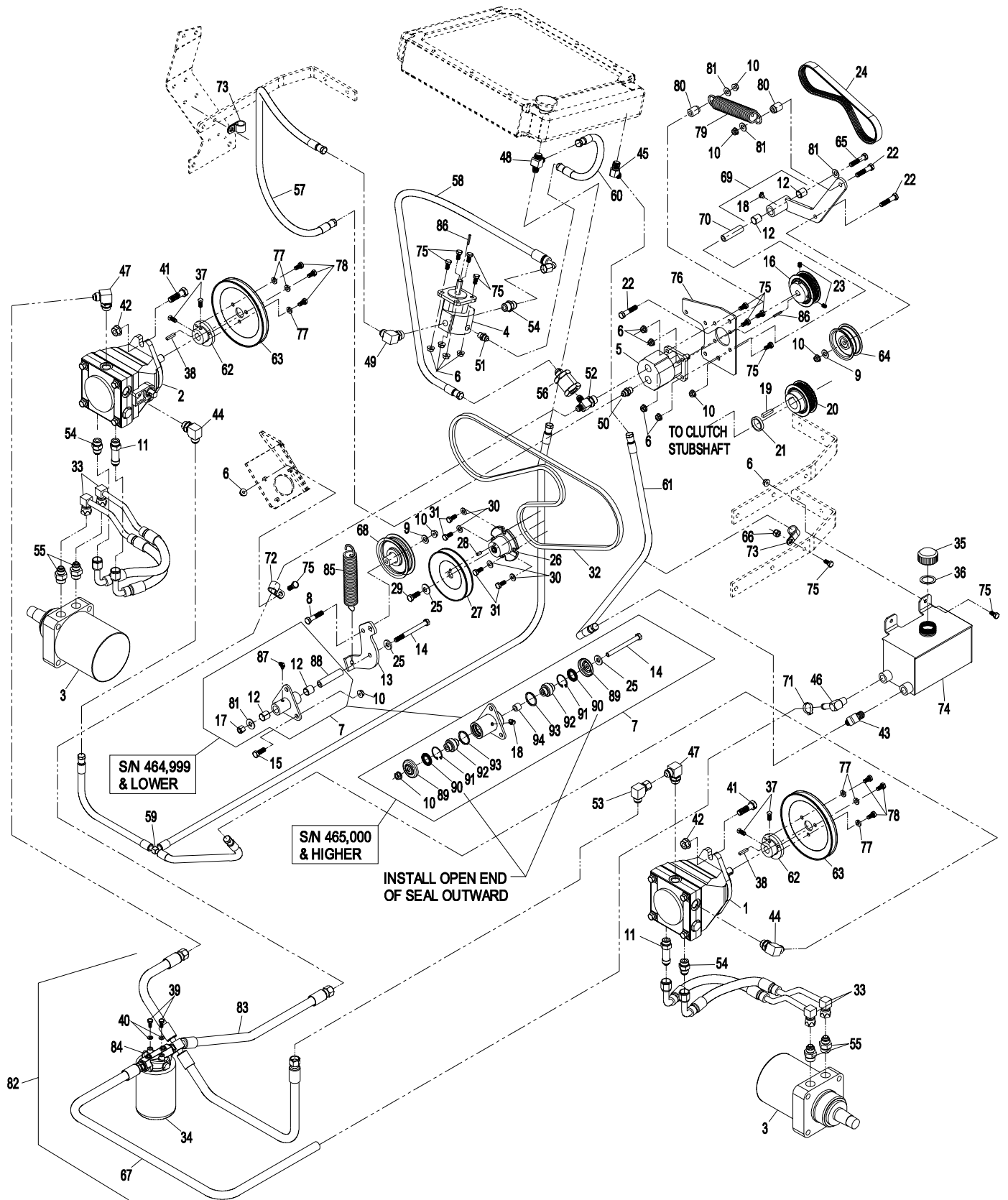
Item	Part No.	Description	Qty.
1	103-2978	Pump, Hydro LH.....	1
2	103-2979	Pump, Hydro RH.....	1
	100-6110	Kit, Seal Service 21L.....	1
	100-2669	Kit, Input Shaft 21L.....	1
	103-2670	Kit, Thrust Bearing 21L.....	1
	103-2668	Kit, Cylinder Block 21L.....	1
	103-2667	Kit, Valve Plate 21L.....	1
3	103-2489	Motor, Wheel Drive.....	2
	1-000099	Kit, Seal.....	1
	1-000139	Kit, Bearing.....	1
4+	103-7430	Motor, Hydraulic Fan.....	1
	103-7434	Kit, Fan Pump/Mtr Shaft Seal.....	1
5+	103-7431	Pump, Hydraulic Fan.....	1
6	32128-20	Nut, Whizlock 5/16-18.....	11
7*	103-6409	Kit, Pump Idler (103-6200-03) W/Bearings.....	1
8	323-12	Screw, 3/8-16 x 2 1/2.....	1
9	3256-24	Washer, 3/8 SAE.....	2
10●	3290-357	Nut, Whizlock 3/8-16.....	8
■	3290-357	Nut, Whizlock 3/8-16.....	9
11	103-1940	Fitting, Straight Long.....	2
12●	1-513034	Bearing, Sleeve.....	4
■	1-513034	Bearing, Sleeve.....	2
13	103-4463-03	Tightener.....	1
14	323-16	Screw, 3/8-16 x 4.....	1
15	323-4	Screw, 3/8-16 x 3/4.....	3
16	103-1338	Sheave, Fan Pump Driven.....	1
17●	3296-39	Nut, Nyloc 3/8-16.....	1
18●	302-40	Zerk, 90° 1/4-28.....	1
■	302-40	Zerk, 90° 1/4-28.....	2
19	13-2840	Key, Square 1/4 x 1 1/4.....	1
20	103-1339	Sheave, Fan Pump Drive.....	1
21	103-1422	Spacer, Fan Pump Drive.....	1
22	323-9	Screw, 3/8-16 x 1 3/4.....	3
23◇	3246-6	Setscrew, 5/16 x 3/4.....	2
24	103-5598	Belt, Fan Pump Drive.....	1
25	98-5975	Washer, Disc Spring 3/8.....	2
26	103-1421	Hub, Engine Sheave.....	1
27	103-5164	Sheave, Engine.....	1
28	103-1459	Pin, Spring Roll 1/4.....	1
29	323-6	Screw, 3/8-16 x 1.....	1
30	3256-23	Washer, 5/16 SAE.....	4
31	33114-020	Screw, M8-1.25 x 20.....	4
32	103-2600	Belt, Hydro Pump Drive.....	1
33	103-4679	Hose, Wheel Motor (72").....	4
	103-4680	Hose, Wheel Motor (60").....	4
34	103-2146	Element, Hydraulic Oil Filter.....	1
35	1-513167	Cap, Hydraulic Tank.....	1
36	1-523103	Gasket, Tank Cap.....	1
37◇	1-803050	Setscrew, 5/16-18 x 3/4.....	4
38	103-2739	Key, 5mm X 5mm x 32mm.....	2
39	321-3	Screw, 1/4-20 x 5/8.....	2
40	1-805004	Lockwasher, 1/4.....	2
41	325-5	Screw, 1/2-13 x 1 1/4.....	4
42	32128-49	Nut, Whizlock 1/2-13.....	4
43▽	103-1012	Elbow,90°9/16jicx3/8NPT.....	1
44	103-1014	Elbow,90°9/16jicx3/4O-Rg.....	2
	1-603920	O-Ring (SAE #8).....	1
45▽	103-2151	Elbow,45°9/16jicx3/8NPT.....	1
	103-1020	O-Ring (37° Flare #6).....	1
46▽	103-2152	Elbow,90°1/2T x 1/2NPT.....	1
47	103-2153	Elbow,90°3/4jicx3/4O-Rg.....	2
	1-603992	O-Ring (37° Flare #8).....	1
	1-603920	O-Ring (SAE #8).....	1

Item	Part No.	Description	Qty.
48▽	103-2154	Fitting, Run Tee 3/8".....	1
	103-1020	O-Ring (37° Flare #6).....	1
49	103-2155	Elbow,90°9/16jicx9/16O-Rg.....	1
	103-1020	O-Ring (37° Flare #6).....	1
	1-603921	O-Ring (SAE #6).....	1
50	103-2156	Fitting, Strt9/16jicx9/16O-Rg.....	1
	103-1020	O-Ring (37° Flare #6).....	1
	1-603921	O-Ring (SAE #6).....	1
51	103-2157	Fitting, Strt9/16jicx7/16O-Rg.....	1
	103-1020	O-Ring (37° Flare #6).....	1
	1-603923	O-Ring (SAE #4).....	1
52	103-2159	Fitting, Run Tee 3/4".....	1
	1-603992	O-Ring (37° Flare #8).....	2
	1-603920	O-Ring (SAE #8).....	1
53	103-2315	Elbow,90°3/4jicx3/4 Swl.....	1
	1-603992	O-Ring (37° Flare #8).....	1
54	1-603990	Fitting, Strt 3/4jicx3/4O-Rg.....	3
	1-603992	O-Ring (37° Flare #8).....	1
	1-603920	O-Ring (SAE #8).....	1
55	1-603991	Fitting, Strt 3/4jicx7/8O-Rg.....	4
	1-603992	O-Ring (37° Flare #8).....	1
	1-603919	O-Ring (SAE #10).....	1
56	103-3110	Filter, Hydraulic Inline.....	1
57	103-2148	Hose, Hi-Pressure Fan Pump.....	1
58	1-323241	Hose, Fan Motor Return.....	1
59	103-2172	Hose, Pump Case Drain.....	1
60	103-2173	Hose, Fan Case Drain.....	1
61	103-2174	Hose, Tank Return.....	1
62	103-1471	Hub, Hydro Pump Sheave.....	2
63	103-1472	Sheave, Hydro Pump.....	2
64	1-633167	Sheave, Fan Pump Idler.....	1
65	323-14	Screw, 3/8-16 x 3.....	1
66	3296-29	Nut, Nyloc 5/16-18.....	1
67	103-5121	Asm, Filter Inlet Hose.....	1
68	103-4464	Sheave, Hydro Pump Idler.....	1
69	103-3349	Asm, Idler Arm (103-1417-03) w/Decals & Bearings.....	1
70	1-603384	Bushing, Tightener Pivot.....	1
71	103-2104	Clamp, Hose .89 Max Dia.....	1
72	1-643312	Clamp, 1.00.....	1
73	1-633396	Clamp, .69.....	2
74	103-5859	Asm, Hydraulic Reservoir (103-4902-03) w/Decals.....	1
75	322-4	Screw, 5/16-18 x 7/8.....	12
76	103-1299-03	Plate, Fan Pump Mounting.....	1
77	1-805005	Lockwasher, 5/16.....	6
78	322-2	Screw, 5/16-18 x 5/8.....	6
79	1-603414	Spring, Fan Pump Tightener.....	1
80	103-1575	Spacer, Fan Pump Spring.....	2
81●	3256-4	Washer, 3/8 Std.....	4
■	3256-4	Washer, 3/8 Std.....	3
82*	103-5120	Asm, Charge Hose.....	1
83	103-2269	Asm, Pump Inlet.....	1
84	103-2259	Filter Head.....	1
85	103-1767	Spring, Hydro Drive Tightener.....	1
86	32150-1	Key, Fan Pump Or Motor.....	2
87	1481	Zerk, 45° 1/4-28.....	1
88●	103-0919	Bushing, Tightener Pivot.....	1
89■	103-2916	Guard, Top.....	2
90■	103-3506	Seal, Single Lip.....	2
91■	32120-10	Ring, Retaining.....	2
92■	103-3504	Bearing, Spherical.....	2
93■	106-7159	O-ring.....	2
94■	1-413088	Spacer.....	1

Exmark black touch up spray paint – gloss black.

- ▽ Use Teflon pipe sealant on pipe threads in reservoir and cooler.
- ◇ Use Prolock, Nut Type (P/N 1-840022, .5ml tube) on setscrews.
- * Charge hose assembly includes items 67, 83, & 84 only.
- Apply Mobil HTS grease (P/N 103-5217 1.5 oz packet) to fan motor and fan pump shafts next to the seals.
- This component is required for units with S/N 464,999 and lower.
- This component is required for units with S/N 465,000 and higher.
- * 103-6409 kit includes components shown for S/N 465,000 and higher and services all serial numbers.

HYDRAULIC GROUP



DECAL GROUP

Item	Part No.	Description	Qty.
1	103-1077	Decal, Bolt Torque	1
2	103-5881	Decal, Rotating Devices	1
3	103-3276	Decal, Warning Buzzer	1
4	1-323540	Decal, Roller Mounting	1
5	103-1596	Decal, Belt Routing	1
6●	103-1593	Decal, Check Service	1
7	1-643222	Decal, Belt Routing	1
8	107-2112	Decal, Danger Slope	1
9	103-4574	Decal, Exmark Logo	1
	103-3999	Decal, Exmark Logo	1
10	1-303508	Decal, Discharge Warning	1
11	103-3679	Decal, Console Throttle	1
12	103-3125	Decal, Lazer XP Model	1
13	103-5304	Decal, Belt Routing XP	1
14	103-5805	Decal, Hood 27HP XP LH	1
15	1-513742	Decal, No Step	2
16	103-0261	Decal, Fuel Valve XP	1
17	103-5806	Decal, Hood 27HP XP RH	1
18	103-5455	Decal, Ignition / PTO XP	1
19	1-633922	Decal, Anti-Scalp	1

Item	Part No.	Description	Qty.
20	1-403005	Decal, Danger	2
21	103-3794	Decal, Park Brake	1
22	1-633706	Decal, Deck Height	1
23	103-3979	Decal, Cutting Height	1
24	103-0223	Decal, Havoline Coolant	1
25	103-1146	Decal, Ultracut 60	1
26	103-1147	Decal, Ultracut 72	1
27	1-513748	Decal, Guard	1
28	103-2076	Decal, Caution Hot Surface	2
29	98-5954	Decal, Missing Cover	5
30	1-633313	Decal, Warning	1
31	103-1636	Decal, Diesel Only	2
32	107-2102	Decal, Folding ROPS	1
33■	103-6320	Decal, Check Service	1
34	1-643401	Decal, Mercury Switch	1
35	1-643253	Decal, Radiator Fan	2
36	1-513746	Decal, Muffler	1
37	1-523552	Decal, Hyd Tank / Hot Surface	1
38	103-5200	Decal, Top Console	1
	103-5885	Decal Kit, XP	1

- This component is required for units with S/N 464,999 and lower.
- This component is required for units with S/N 465,000 and higher.

DECAL GROUP

1 CAUTION

- Loose or Damaged Blade Bolt may allow blade to come out from under deck, at 1800+ RPM.
- Loose Blade Bolt after shutoff is a safety object.
- Torque Blade Bolt to 115-120 FT-LBS(155-165 NM)

SEE OPERATOR'S MANUAL 103-1077

2 WARNING

ROTATING MECHANICAL DEVICES CAN CAUSE SERIOUS INJURY.

- DO NOT operate without guards in place.
- Stop engine before opening cover.

103-1081

3 IMPORTANT: WARNING BUZZER

IF ALARM SOUNDS, SHUT DOWN UNIT AND CONSULT OPERATOR'S MANUAL FOR FURTHER INSTRUCTION, OR ENGINE CRANKS BUT DOES NOT START.

PULSE TONE = LOW FUEL OR PRESSURE ALTERNATOR NOT CHARGING

CONTINUOUS TONE = ENGINE OVERHEATING

4

5 DECK DRIVE BELT ROUTING

BELT: 103-0981

103-1536

6 CHECK/SERVICE REFERENCE AID

GREASE LUBE POINTS AT INTERVALS SHOWN.

- CHECK HYDRAULIC FLUID AT INTERVAL SHOWN. (USE ONLY MOBIL 1 15W-50 SYNTHETIC MOTOR OIL.)
- SEE ENGINE OPERATOR'S MANUAL FOR SERVICING ENGINE.
- CHECK TIRE PRESSURE - 13 PSI AT INTERVAL SHOWN.

SEE OPERATOR'S MANUAL FOR ADDITIONAL DETAILS.

103-1593

7 BELT ROUTING

BLADE BELT: 103-0982-72 103-0982-80 103-0982-82

103-0982

8 WARNING

- Operating on wet grass or steep slopes can cause sliding and loss of control.
- Wheels dropping over edges can cause rollovers, which may result in serious injury, death or drowning.
- To avoid loss of control and possibility of rollover:
 - DO NOT operate near drop-offs or near water.
 - DO NOT operate on slopes greater than 15°.
 - Reduce speed and use caution on slopes.
 - Avoid sudden turns or rapid speed changes.
 - There is no rollover protection when the roll bar is down.
 - Always keep roll bar in the raised and locked position and use seat belt.
 - Read and follow rollover protection instructions and warnings.

103-0917

9 exmark

10 WARNING

DO NOT OPERATE WITHOUT DISCHARGE DEFLECTOR, ENTIRE GRASS COLLECTION SYSTEM, OR MULCH KIT IN PLACE. DO NOT REMOVE GRASS CATCHER UNTIL BLADES HAVE STOPPED.

103-0909

11

103-0909

12 LAZER Z^{XP}

13 PUMP BELT ROUTING

BELT: 103-2600 103-2604

14 XP DIESEL

15 NO STEP

103-0926

16

103-0926

17 XP DIESEL

18

103-0926

19 ANTI-SKID ROLLER ADJUSTMENT

FOR NORMAL OPERATING CONDITIONS, PLACE ROLLERS IN PORTIONS SHOWN FOR 8" (20) GROUND CLEARANCE.

103-0926

20 DANGER

KEEP HANDS and FEET AWAY

103-0926

21 RELEASE

PARK BRAKE

ENGAGE

WARNING

- To avoid serious injury or death:
 - Read and understand the operator's manual before using this equipment.
 - DO NOT operate unless trained to safely use this equipment.
 - DO NOT operate under the influence of alcohol or drugs.
 - DO NOT operate without adequate, clean, and healthy clothes in place and working.
 - Change or use low oil level or engine oil.
 - Check safety system by, DO NOT, contact the OPC.
 - Check engine and machine by, before adjusting, working or driving machine and attachments.
 - Warning protection is recommended.

103-0926

22

103-0926

23 DANGER

To avoid serious injury or death:

- Adjust cutting height before use.

WARNING

To avoid serious injury or death:

- First use objects that could be thrown by the blades.
- Do NOT mow when people and pets are in the area.
- Do NOT mow on slopes greater than 15°.
- Look behind and to the side before changing direction.
- Discharge PTO.
- Maintain proper seat to operator back position.
- Engage park brake.
- Stop engine.

103-0926

24

This cooling system protected by:

Hercoline® Extended Life Antifreeze/Coolant (DEK-COOL)

- Top quality with Hercoline® Extended Life Antifreeze/Coolant (DEK-COOL).
- Designed to protect for 2 years or 2000 hours of use.
- Do not mix with conventional coolants.
- Extended Warranty by Antifreeze/Coolant is available at your local Exmark store.

Another Protection Innovation From: exmark.

25 ULTRACUT 60

26 ULTRACUT 72

27 CAUTION

DO NOT OPERATE WITHOUT GUARD IN PLACE.

28 CAUTION

HOT SURFACE

29 DANGER

COVER IN REAR MUST BE OPERATE TO START. TRUCK MUST BE IN PARK AND NOT IN PLACE.

30 WARNING

DISCHARGE BLADE CLUTCH, SHUT OFF ENGINE, AND HOLDING KEY MUST BE MAINTAINED ADJUSTMENT, SERVICING OR CLEANING DECK.

103-0926

31 DIESEL ONLY

32

WARNING

TO AVOID INJURY OR DEATH FROM ROLL-OVER, ALWAYS WEAR SEAT BELT. Lower the roll bar ONLY when the engine is OFF. Always use proper tie-down technique. Do not use any tool that will damage the roll bar. Do not use any tool that will damage the roll bar. Do not use any tool that will damage the roll bar. Do not use any tool that will damage the roll bar.

33 CHECK/SERVICE REFERENCE AID

GREASE LUBE POINTS AT INTERVALS SHOWN.

- CHECK HYDRAULIC FLUID AT INTERVAL SHOWN. (USE ONLY MOBIL 1 15W-50 SYNTHETIC MOTOR OIL.)
- SEE ENGINE OPERATOR'S MANUAL FOR SERVICING ENGINE.
- CHECK TIRE PRESSURE AT INTERVAL SHOWN.
- 32 PSI REAR DRIVE TIRES
- 13 PSI FRONT PNEUMATIC CARTER TIRES

SEE OPERATOR'S MANUAL FOR ADDITIONAL DETAILS.

103-0926

34

MOTOR CONTROL

CAUTION

Battery in this system is personal and can cause serious injury or death. Do not touch battery terminals. Do not use tools on battery terminals. Do not use tools on battery terminals. Do not use tools on battery terminals.

35 CAUTION

ROTATING BLADES STOP ENGINE BEFORE REPAIRING UNDESIRABLE.

103-0926

36 CAUTION

MUFFLER AND SHIELDS MAY EXCEED 150°F

37

HYDRAULIC OIL, USE ONLY MOBIL 1 GAE (15W-50) SYNTHETIC ENGINE OIL. FILL TO TOP OF BOWL.

CAUTION

HOT

38

MOTOR CONTROL

DRIVE WHEEL RELEASE

Use left arrow to turn counter-clockwise to release. Do not over-tighten.

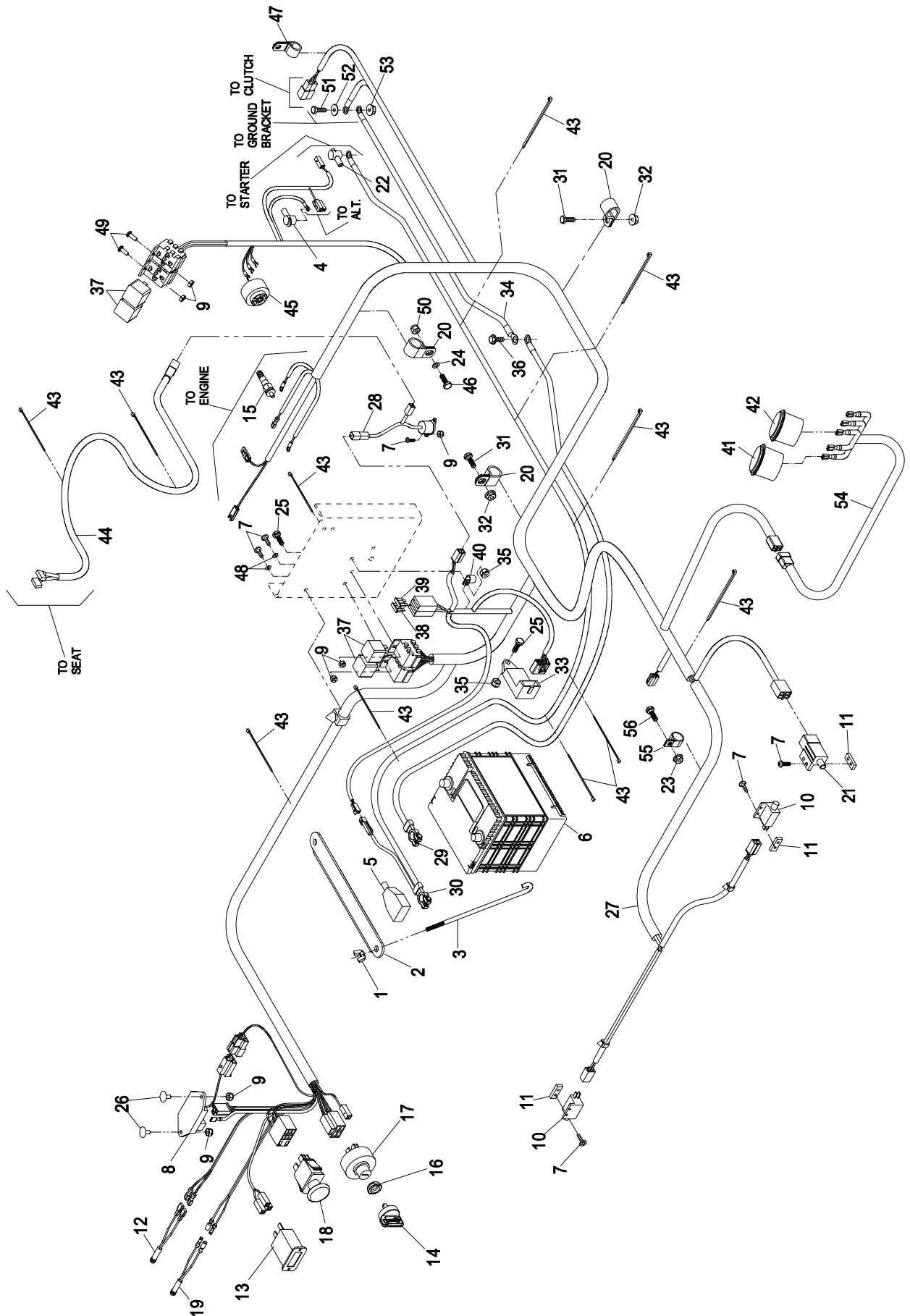
27HP DIESEL ELECTRICAL GROUP

Item	Part No.	Description	Qty.
1	1-543792	Wingnut, Nyloc.....	2
2	103-1311-03	Holddown, Battery.....	1
3	103-1312	Bolt, Battery Holddown.....	2
4	1-643178	Insulator, Alternator (+).....	1
5	103-1340	Insulator, Battery Terminal.....	1
6★		Battery, 12V SAE Post.....	1
7	3290-500	Screw, #10-24 x 5/8.....	10
8	103-5218	Module, Seat Delay.....	1
9	3296-2	Nut, #10-24 Nyloc.....	8
10	1-513051	Switch, Drive Lever N.O.....	2
11	1-633181	Plate, Tapped.....	3
12	1-643267	Indicator, Red LED.....	1
13	1-513374	Meter, Engine Hours.....	1
14	103-2106	Key, Exmark Logo.....	1
	1-603511	Key, Ignition.....	1
15●	103-0949	Sender, Temperature 1/8 NPT.....	1
16	103-0498	Nut, Ignition.....	1
17	103-0206	Switch, Ignition w/ Keys.....	1
18	103-5221	Switch, PTO.....	1
19	103-1320	Indicator, Amber LED.....	1
20	1-633396	Clip, Loom .69.....	3
21	1-633111	Switch, Brake N.O./N.C.....	1
22	103-1420	Insulator, Starter (+).....	1
23	32128-33	Nut, 1/4-20 Whizlock.....	1
24	3256-22	Washer, 1/4 SAE.....	1
25	321-4	Screw, 1/4-20 x 3/4.....	3
26	1-807513	Bolt, Carriage #10-24 x 1/2.....	2
27◆	103-4340	Harness, Wiring.....	1
28	1-633782	Switch, Tilt.....	1

Item	Part No.	Description	Qty.
29	103-1159	Cable, Battery Ground (-).....	1
30*	103-1160	Cable, Starter(+) W/Insulators.....	1
31	322-3	Screw, 5/16-18 x 3/4.....	2
32	32128-20	Nut, 5/16-18 Whizlock.....	2
33■	Briggs & Stratton	P/N 820373 Module, Pre-Heat Timer.....	1
34	103-1349	Cable, Engine Ground (-).....	1
35	3296-42	Nut, 1/4-20 Nyloc.....	2
36	32144-70	Screw, 5/16-18 x 3/4 Taptite.....	1
37	1-643275	Relay, 12V.....	4
38	1-816001	Fuse, 20 Amp.....	1
39	103-1368	Fuse, 40 Amp.....	1
40	1-513762	Clip, Loom .50.....	1
41	1-643037	Guage, Voltmeter.....	1
42	1-643021	Guage, Temperature.....	1
43	1-303335	Plastic Tie (Medium).....	11
44◆	103-1227	Wiring Harness, Seat.....	1
45	103-0205	Alarm, Dual Tone.....	1
46	33113-020	Screw, M6x1 x 20mm.....	1
47	1-603727	Clip, Loom .50.....	1
48	3256-14	Washer, #10 SAE.....	2
49	1-803071	Screw, #10-24 x 1/2.....	2
50	33023-00	Nut, M6 Nyloc.....	1
51	323-6	Screw, 3/8-16 x 1.....	1
52	3256-24	Washer, Flat SAE 3/8.....	1
53	3290-357	Nut, Whizlock 3/8-16.....	1
54◆	103-4339	Harness, Gauge XP.....	1
55	1-323229	Clip, Loom .375.....	1
56	321-2	Screw, 1/4-20 x 1/2.....	1

- ◆ Use dielectric grease on all wiring harness connectors.
- ★ 12 Volt battery, BCI group size 25, 550 cca. For warranty and/or direct replacement contact Douglas Battery at 1-800-DOUGLAS.
- Refer to Engine Owner's Manual.
- * Starter Cable includes insulators 103-1340 & 103-1420.
- Use Teflon pipe sealant on pipe threads on temperature sending unit.

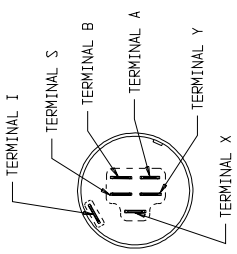
27 HP DIESEL ELECTRICAL GROUP



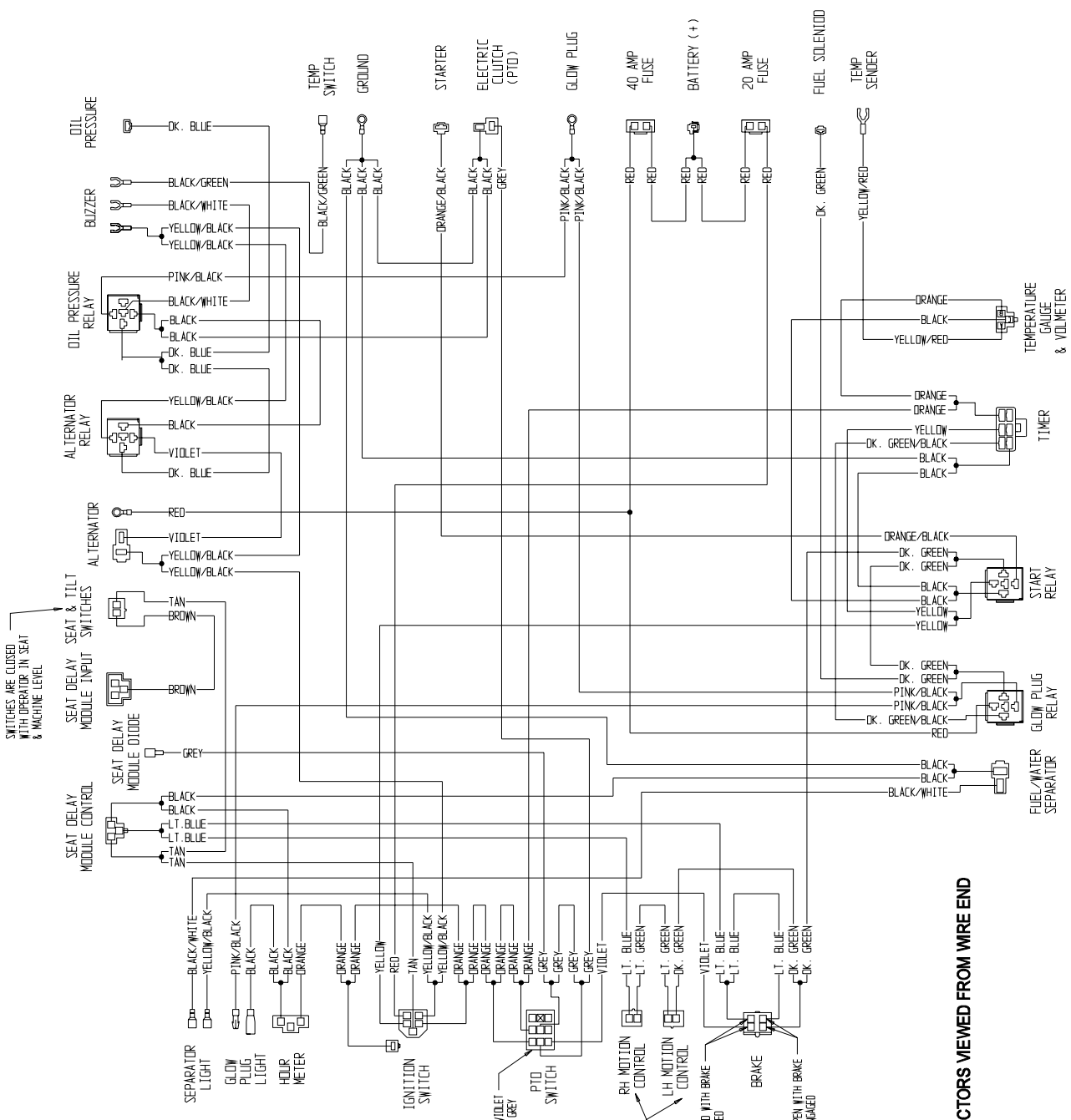
27 HP DIESEL WIRE ELECTRICAL DIAGRAM

IGNITION SWITCH

TERMINAL	CONNECTIONS
TERMINAL A	SEPARATOR LIGHT, ALTERNATOR
TERMINAL B	BATTERY
TERMINAL I	HOUR METER, PTO SWITCH
TERMINAL S	START RELAY
TERMINAL X	SEAT DELAY, TILT SWITCH
TERMINAL Y	HOUR METER, PTO SWITCH

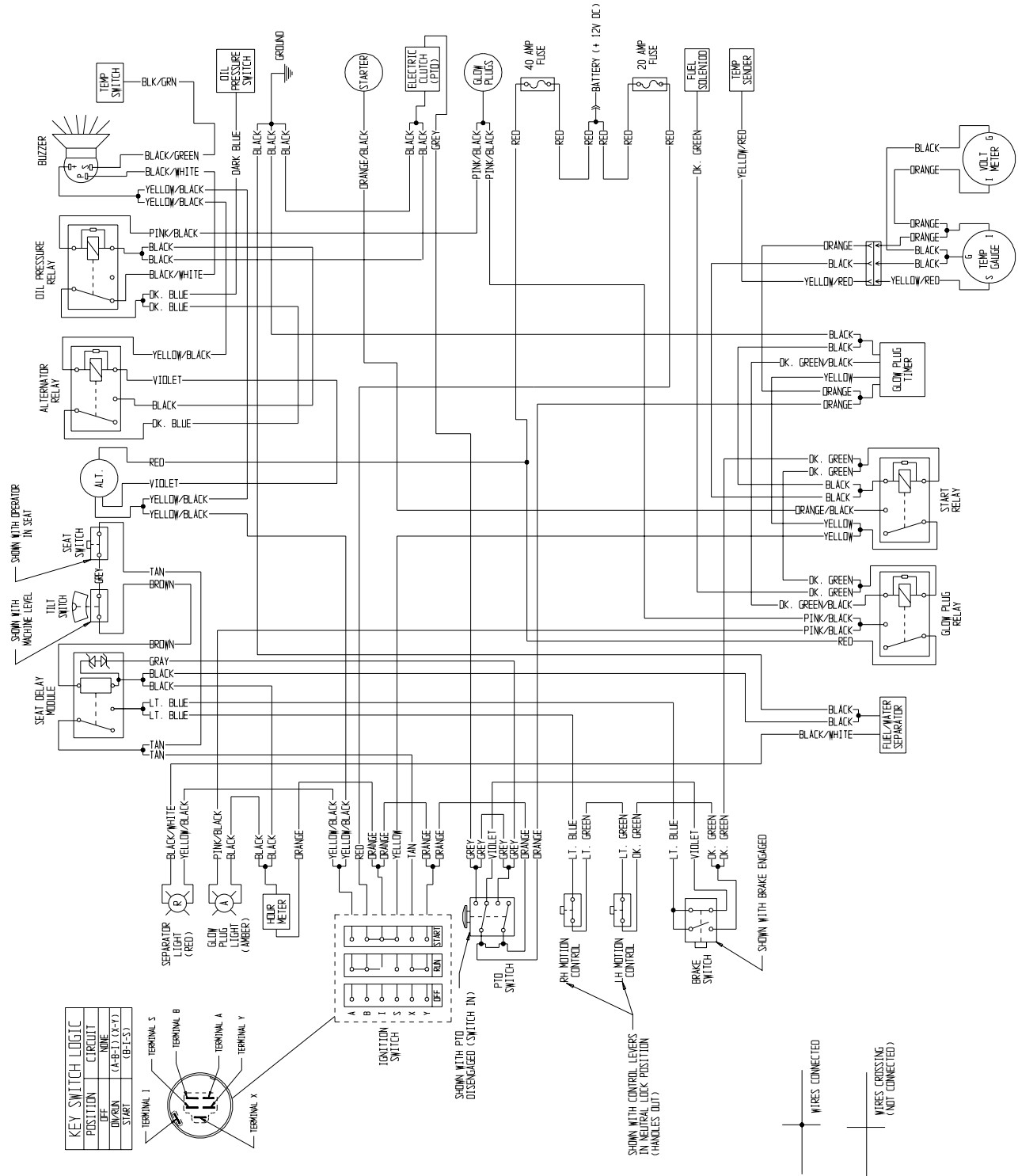


POSITION	CIRCUIT MAKE
1. OFF	NONE
2. RUN	B + I + A X + Y
3. START	B + I + S



NOTE:
CONNECTORS VIEWED FROM WIRE END

27 HP DIESEL WIRE ELECTRICAL LOGIC SCHEMATIC



NOTES

**SEE EXMARK'S COMPLETE
LINE OF PRODUCTS FOR TURF CARE**

LAZER Z[®]

LAZER Z[®] HP

LAZER Z[®] XP

LAZER Z[®] CT

TURF RANGER[®]

VIKING HYDRO

TURF TRACER[®]

TURF TRACER[®] HP

METRO[®]

METRO[®] HP

ULTRA VAC[™]

ULTRA VAC[™] QDS

GRASS CATCHER

MICRO-MULCH[™] ACCESSORY

SELF STEERING SULKY

©1997 - 2003
EXMARK MFG. CO. INC.
INDUSTRIAL PARK BOX 808
BEATRICE, NE 68310
ALL RIGHTS RESERVED

PART NO. 103-4779 Rev. B
(402) 223-6300
FAX (402) 223-5489

PRINTED IN U.S.A.

