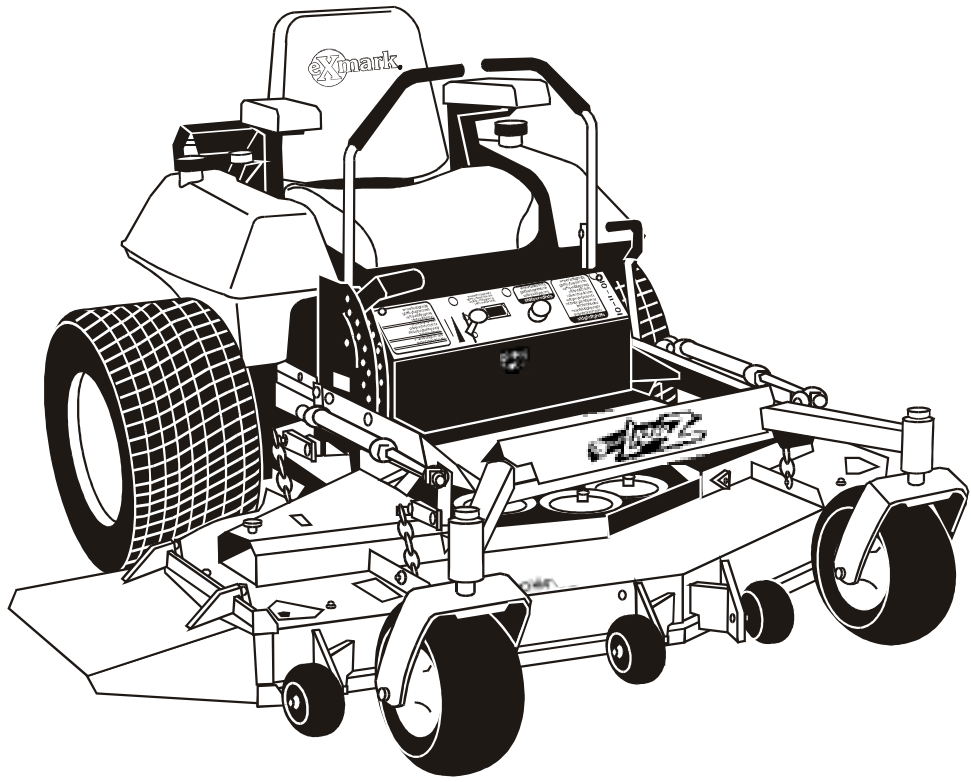


For Serial Nos.
320,000 & Higher



PARTS MANUAL

LAZER Z[®]

CONGRATULATIONS on the purchase of your new Exmark mower. This product has been carefully designed and manufactured to give you a maximum amount of dependability and years of trouble-free operation.

If additional information is needed, or should you require trained mechanic service, contact your authorized Exmark equipment dealer or distributor.

If you need to order replacement parts from your dealer, always give the model number and serial number of your mower as well as the part number, description and quantity of the part needed.

The Serial No. plate is located on the right side of the console.

For ease of ordering and reference, we suggest that you record the information requested in the following identification table.

Model No. _____

Serial No. _____

Engine Model No. _____

Engine Serial No. _____

Date Purchased _____

Paste Label From Literature Packet Here

EXMARK PARTS PLUS® PROGRAM

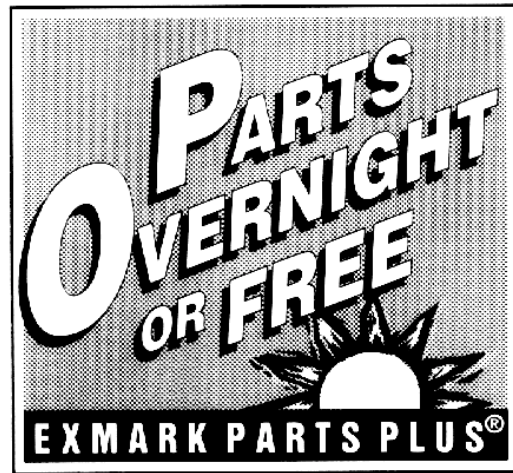
EFFECTIVE DATE: September 1, 1995

Program

If your Exmark dealer does not have the Exmark part in stock, Exmark will get the parts to the dealer the next business day or the part will be FREE* Guaranteed!!

How the Program Works

1. If dealer does not have part in stock for a "down" unit at the time of request by customer, the dealer contacts his distributor by 1:00 p.m., local time, and requests Exmark Parts Plus® shipment of six (6) line items or less.
2. Distributor ships part(s) to dealer or customer, as requested by dealer, same day, overnight UPS. Distributor bills dealer for part and freight charges where applicable.
3. If distributor does not have the part(s) in stock to satisfy Exmark Parts Plus® order, he contacts Exmark by 3:00 p.m., central time, with an Exmark Parts Plus® order of six (6) line items or less.
4. If order is received by 3:00 p.m. central time, Exmark ships part(s) direct to dealer or customer, as requested by distributor, same day, overnight UPS. Exmark bills the distributor for parts and shipping charges, where applicable.
5. The customer pays for the part and freight if it is shipped under the Exmark Parts Plus® and if it arrives in accordance to the program.
6. Who pays for the part and freight if it fails to arrive overnight in accordance to the program?
 - A. Under any circumstance the customer does not pay.
 - B. If the part does not arrive overnight due to:
 1. The dealer not submitting the Exmark Parts Plus® order to his Exmark distributor by 1:00 p.m., the dealer pays for the part and freight.
 2. The Distributor being unable to ship the part the same day or not submitting the Exmark Parts Plus® order to Exmark by 3:00 p.m., central time, the Distributor pays for the part and freight.
 3. Exmark being unable to ship the part and the Exmark parts order is received by 3:00 p.m., central time, Exmark pays for the part and freight.
 4. If the part does not arrive overnight due to the shipper (UPS), the shipper pays for the freight and Exmark pays for the part.



The following restrictions apply -- The Exmark Parts Plus® Program is available only through participating Exmark Dealers and applies only to orders submitted on this program Monday through Thursday. Parts Plus service is available only in the 48 contiguous United States. UPS has initiated a Saturday delivery program to many areas of the continental United States and can be requested for an overnight shipment on Friday to be delivered Saturday. The next day air charge, plus the Saturday delivery fee will be the responsibility of the purchaser. Exmark Mfg. will assume no responsibility for Saturday delivery shipments. To qualify, all Exmark Parts Plus® orders must be received by Exmark by 3:00 p.m., central time. Orders must be six (6) line items or less. Exclusions from the Exmark Parts Plus® Program are: Any wholegood or accessory in its entirety, engines and engine replacement parts, 5-speed Peerless transmissions and 5-speed transaxles, hydraulic or hydrostatic wheel motors, cutter decks and engine decks or any item exceeding United Parcel Service size and weight restrictions.

Due to UPS restrictions, aerosol spray paint is considered a hazardous material and cannot be shipped via UPS next day or Second Day Air.

Exmark Manufacturing stocks a limited supply of parts for transaxles, pumps and wheel motors. These parts can be ordered for Next Day Air shipment but will not be guaranteed per the Parts Plus Program.



**READ OPERATOR'S MANUAL BEFORE
OPERATING OR SERVICING EXMARK EQUIPMENT.**

TABLE OF CONTENTS

<u>Description</u>	<u>Page</u>
Decal Group	27-28
Electrical Diagrams	33-36
Electrical Groups	29-32
Electrical Logic Schematics.....	37-40
Engine Deck Group	18-24
Front Frame Group.....	9-10
Fuel Group	12-14
Hydraulics Group.....	25-26
Main Frame Group	11
Motion Control Levers	17
Park Brake Group	15-16
Parts Plus Program	1
52" Deck Group	3-4
60" Deck Group	5-6
72" Deck Group	7-8

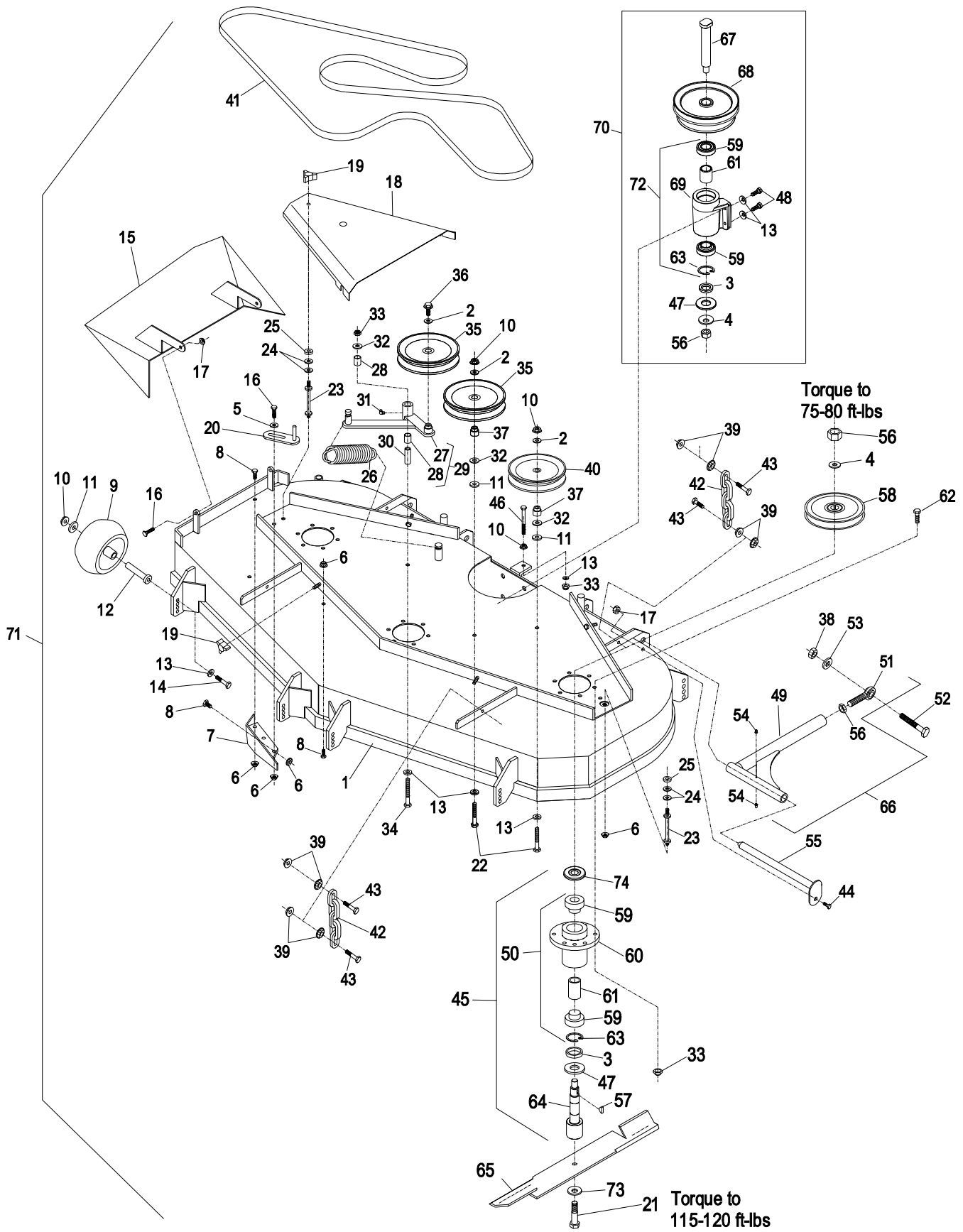
52" DECK GROUP

Ref. No.	Part No.	Description	Qty. Req'd.	Ref. No.	Part No.	Description	Qty. Req'd.
1	103-0332-01	Deck wldmt, 52"	1	41	1-633366	Belt, blade drive 52" Deck.....	1
	103-0675	Deck wldmt, 52" w/decals....	1	42	1-633447	Chain.....	4
2	3256-24	Washer, 3/8 SAE.....	3	43	103-1898	Screw, 7/16-14 x 1-5/8 sp.....	8
3	1-323533	Spacer, shv/brg	4	44	322-3	Screw, 5/16-18 x 3/4	2
4	1-513208	Washer, disc spring.....	4	45*	103-1140	Cutter housing complete	3
5	1-303334	Washer, 5/16 disc spring.....	1	46	323-20	Screw, 3/8-16 x 3 1/4	1
6	32128-20	Nut, 5/16-18 whizloc	8	47	1-633573	Guard, Brg bottom	4
7	1-602913-01	Baffle wldmt, discharge.....	1	48	323-6	Screw, 3/8-16 x 1	4
8	322-2	Screw, 5/16-18 x 5/8.....	5	49	103-1072-01	Strut wldmt, deck	2
9	1-603299	Roller, antiscalp	6	50	1-634619	Housing w/ring, spacer, & brg	3
10	3290-357	Nut, 3/8-16 whizlock	9	51	1-633029	Spherical rod end	2
11	1-373034	Washer, pivot	8	52	327-11	Screw, 5/8-11 x 5	2
12	1-603602	Bushing, roller.....	6	53	3253-8	Lockwasher, 5/8 reg.spring...2	
13	98-5975	Washer, 3/8 disc spring	14	54	302-19	Zerk, 1/4-28 straight.....	4
14	98-5961	Screw, 3/8-16 x 4 gr 8	6	55	1-632199-01	Pin wldmt, deck strut.....	2
15	103-0345-01	Chute, discharge 52"	1	56	3219-6	Nut, 5/8-18 hex.....	6
16	322-5	Screw, 5/16-18 x 1.....	3	57❖	3257-32	Key, # 61 Woodruff	3
17	3296-29	Nut, 5/16-18 nyloc	4	⊗	10-8040	Key, 3/16 sq x 3/4	3
18	1-633357-01	Shield, belt 52"	2	58	1-633701	Sheave, blade drive	3
19	1-323385	Knob, belt shield	6	59	1-513016	Bearing.....	8
20	1-322110	Belt guide wldmt	1	60	1-323532	Housing ,bearing	3
21	103-0862	Screw, 5/8-11x2 3/4 gr 8	3	61	1-323528	Spacer, bearing.....	4
22	323-11	Screw, 3/8-16 x 2 1/4.....	2	62	323-7	Screw, Hex cap 3/8x1 1/4....	18
23	1-303537	Stud, belt shield	2	63	32120-8	Snap Ring	4
24	3256-3	Washer 5/16 std flat	4	64❖	103-0584	Spindle	3
25	1-323417	Washer, rubber	2	⊗	103-2326	Spindle	3
26	1-633151	Spring, extension.....	1	65	1-633482	Blade, notched air foil.....	3
27	1-632119-03	Arm wldmt, deck idler.....	1		1-613251	Blade, solid air foil.....	3
28	1-513034	Bearing, pivot.....	2		1-633485	Blade, low lift	3
29	1-634244	Arm wldmt/brg sub-assy.....	1	◆	1-633484	Blade, mulching.....	3
30	1-603044	Bushing, idler pivot	1		103-1578	Blade, bahia	3
31	302-40	Zerk, 1/4-20 90°.....	1	66	103-1081	Strut wldmt S/A	2
32	3256-4	Washer, 3/8 std flat	3	67	1-643393	Jackshaft.....	1
33	3296-39	Nut, 3/8-16 nylock	20	68	103-0135	Sheave, Jackshaft.....	1
34	323-13	Screw, 3/8-16 x 2 3/4.....	1	69	103-0280	Housing, Jackshaft.....	1
35	1-633109	Idler pulley 6.00 dia flat.....	2	70	103-0698	Jackshaft S/A	1
36	3234-11	Bolt, 3/8-16 x 1 whizlock.....	1	71	103-0678	Complete deck asy.....	1
37	1-633456	Bushing, Idler.....	2	72	103-1192	Asm,Jackshaft housing w/brgs..	1
38	3217-11	Nut, 5/8-11 hex.....	2	73	103-0865	Washer,disc spring	3
39	32128-37	Nut, 7/16-14 whizlock	16	74	103-1331	Guard, bearing top	3
40	1-603805	Idler pulley 5.06 O.D V	1				

Exmark red touch up spray paint - P/N 1-850337

- * Cutter housing complete aslo includes items 4, 21, 56, 58 and 73.
- ◆ Requires installation of Micro-Mulch accessory for proper mulching. Mulch kit P/N MK524
- ❖ This component is required if the keyway on the spindle for your unit is for a woodruff key.
- ⊗ This component is required if the keyway on the spindle for your unit is for a square key.

52" DECK GROUP



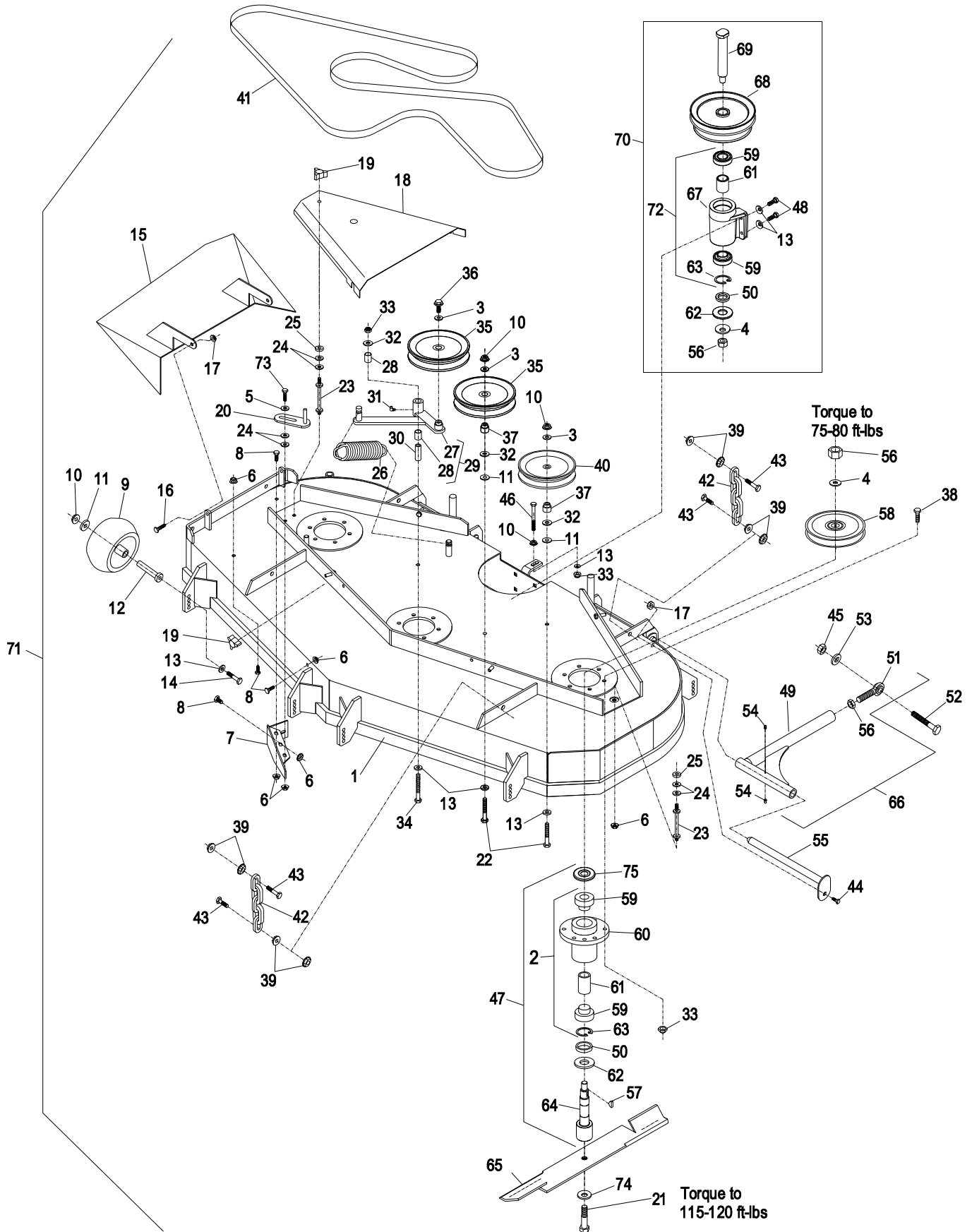
60" DECK GROUP

Ref. No.	Part No.	Description	Qty. Req'd.	Ref. No.	Part No.	Description	Qty. Req'd.
1	103-0422-01	Deck wldmt, 60	1	45	3217-11	Nut, 5/8-11 hex.....	2
	103-0676	Deck wldmt, 60 w/decals ..	1	46	323-20	Screw, 3/8-16 x 3 1/4	1
2	1-634619	Housing w/ring,spacer, brg3		47*	103-1140	Cutter housing complete ...	3
3	3256-24	Washer, 3/8 SAE	3	48	323-6	Screw. 3/8-16 x 1	4
4	1-513208	Washer, disc Spring.....	4	49	103-1072-01	Strut wldmt, deck	2
5	1-303334	Washer, 5/16 disc spring ..	1	50	1-323533	Spacer shv/brg.....	4
6	32128-20	Nut, 5/16-18 whizlock.....	8	51	1-633029	Spherical rod end	2
7	1-602913-01	Baffle wldmt, discharge.....	1	52	327-11	Screw, 5/8-11 x 5	2
8	322-2	Screw, 5/16-18 x 5/8	5	53	3253-8	Lockwasher,5/8 reg.spring	2
9	1-603299	Roller, antiscalp.....	6	54	302-19	Zerk, 1/4-28 straight.....	4
10	3290-357	Nut, 3/8-16 whizlock.....	9	55	1-632199-01	Pin wldmt, deck strut.....	2
11	1-373034	Washer, pivot.....	8	56	3219-6	Nut, 5/8-18 hex.....	6
12	1-603602	Bushing, roller	6	57X	3257-32	Key, # 61 Woodruff	3
13	98-5975	Washer, 3/8 disc spring	14	⊕	10-8040	Key, 3/16 sq x 3/4	3
14	98-5961	Screw, 3/8-16 x 4 gr 8.....	6	58	1-633701	Sheave, Blade drive.	3
15	1-632939-01	Chute, discharge 60".....	1	59	1-513016	Bearing.....	8
16	322-5	Screw, 5/16-18 x 1	2	60	1-323532	Housing, bearing	3
17	3296-29	Nut, 5/16-18 nylock	4	61	1-323528	Spacer, bearing.....	4
18	1-633084-01	Shield, belt 60"	2	62	1-633573	Guard, brg bottom	4
19	1-323385	Knob, belt shield.....	6	63	32120-8	Snap Ring	4
20	1-322110	Belt guide wldmt.....	1	64X	103-0584	Spindle	3
21	103-0862	Screw, 5/8-11 x 2 3/4 gr 8...3		⊕	103-2326	Spindle	3
22	323-11	Screw, 3/8-16 x 2 1/4	2	65	1-633483	Blade, notched air foil.....	3
23	1-303537	Stud, belt shield.....	2		1-613250	Blade, solid air foil.....	3
24	3256-3	Washer 5/16 std flat.....	6		1-613111	Blade, low lift	3
25	1-323417	Washer, rubber	2	◆	103-0301	Blade, mulching.....	3
26	1-633151	Spring, extension	1		103-1580	Blade, bahia	3
27	1-632119-03	Arm wldmt, deck idler	1	66V▲	103-1081	Strut wldmt S/A	2
28	1-513034	Bearing, pivot	2	▽■	103-1106	Strut wldmt S/A	2
29	1-634244	Arm wldmt/brg sub-assy ...	1	67	103-0280	Housing, Jackshaft	1
30	1-603044	Bushing, idler pivot.....	1	68▲	103-0136	Sheave, Jackshaft Double	1
31	302-40	Zerk, 1/4-20 90°	1	■	103-0137	Sheave, Jackshaft Double	1
32	3256-4	Washer, 3/8 std flat.....	3	69	1-643393	Jackshaft	1
33	3296-39	Nut, 3/8-16 nylock	20	70▲	103-0700	Jackshaft Assy	1
34	323-13	Screw, 3/8-16 x 2 3/4	1	■	103-0701	Jackshaft Assy	1
35	1-633109	Idler pulley 6.00 dia flat	2	71	103-0680	Complete Deck Assy	
36	3234-11	Bolt, 3/8-16 x 1 whizlock ...	1			(Air-cooled except 26HP Koh EFI) ..	1
37	1-633456	Bushing, Idler	2		103-0681	Complete Deck Assy	
38	323-8	Screw, 3/8-16 x 1 1/2	18			(27 HP Kaw liq-cooled & 26 HP Koh EFI) .	1
39	32128-37	Nut, 7/16-14 whizlock.....	16	72	103-1192	Asm,Jackshaft housing w/brgs	1
40	1-603805	Idler pulley 5.06 O.D. V	1	73	322-6	Screw. 5/16-18 x 1 1/4	1
41	1-633127	Belt, blade drive 60" deck..	1	74	103-0865	Washer,disc spring	3
42	1-633447	Chain.....	4	75	103-1331	Guard, bearing top	3
43	103-1898	Screw, 7/16-14 x 1 5/8 sp .8					
44	322-3	Screw, 5/16-18 x 3/4	2				

Exmark red touch up spray paint - P/N 1-850337

- * Cutter housing complete also includes items 4, 21, 56, 58 and 74.
- ◆ Requires installation of Micro-Mulch accessory for proper mulching. Mulch kit P/N MK604
- ▽ Strut subassemblies have same components, they are assembled to different lengths from center to center. PN 103-1081 = 15.31"; PN 103-1106 = 15.00"
- X This component is required if the keyway on the spindle for your unit is for a woodruff key.
- ⊕ This component is required if the keyway on the spindle for your unit is for a square key.
- ▲ Used on all air-cooled units except 26 HP Kohler EFI.
- Used on 27 HP Kawasaki liquid-cooled units and 26 HP Kohler EFI air-cooled units.

60" DECK GROUP



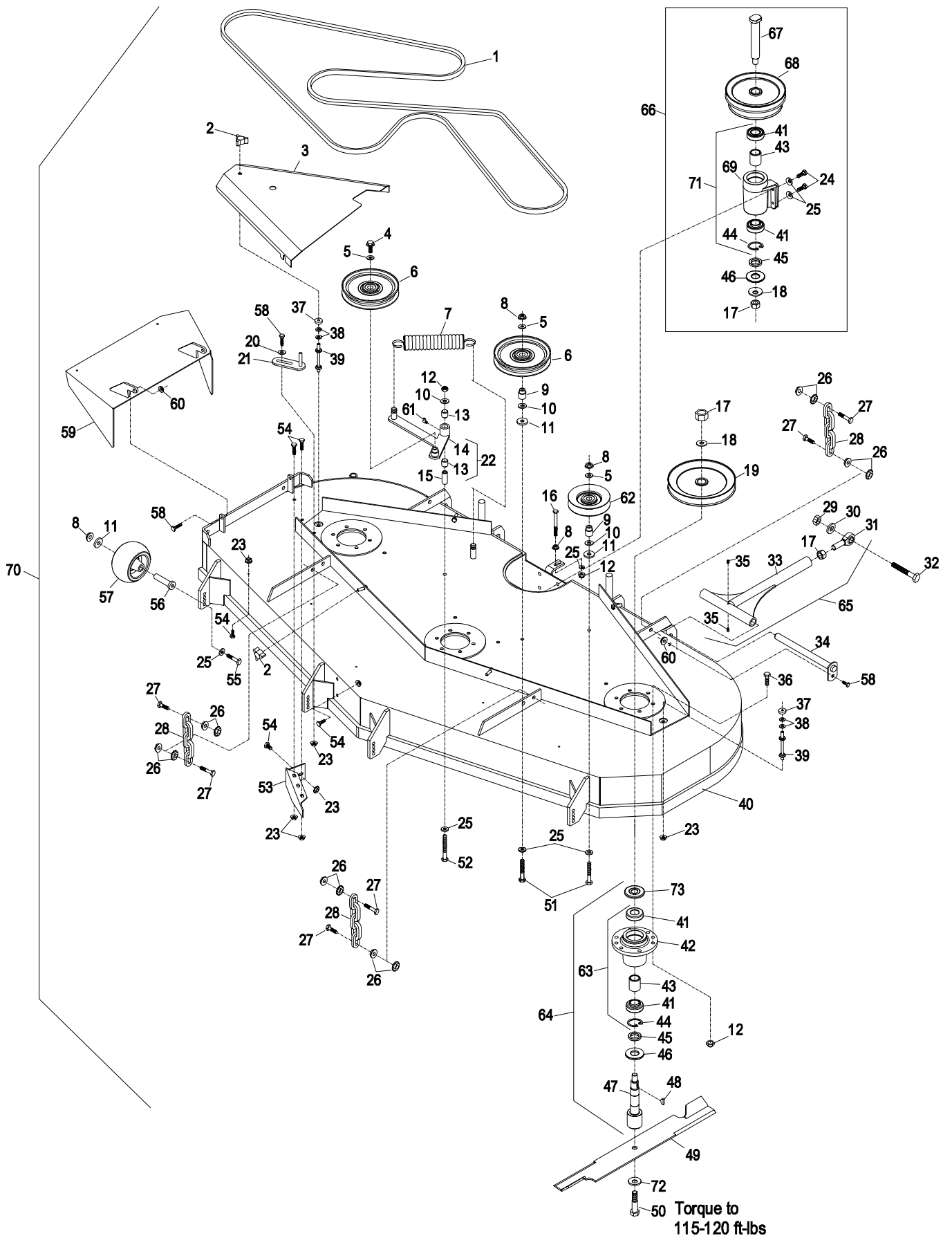
72" DECK GROUP

Ref. No.	Part No.	Description	Qty. Req'd.	Ref. No.	Part No.	Description	Qty. Req'd.
1	1-643052	Belt, Blade drive 72"	1	41	1-513016	Bearing	8
2	1-323385	Knob, belt shield	6	42	1-323532	Housing, bearing	3
3	1-643076-01	Shield, belt 72" RH (shown)	1	43	1-323528	Spacer, bearing	4
	1-643075-01	Shield, belt 72" LH.....	1	44	32120-8	Snap Ring.....	4
4	3234-11	Bolt, 3/8-16 x 1 whizlock....	1	45	1-323533	Spacer shv/brg	4
5	3256-24	Washer, 3/8 SAE.....	3	46	1-633573	Guard, brg bottom	4
6	1-633109	Idler pulley 6.00 dia flat.....	2	47❖	103-0584	Spindle	3
7	1-633151	Spring, extension.....	1	⊕	103-2326	Spindle	3
8	3290-357	Nut, 3/8-16 whizlock	9	48❖	3257-32	Key, # 61 Woodruff	3
9	1-633456	Bushing, Idler	2	⊕	10-8040	Key, # 61 Woodruff	3
10	3256-4	Washer, 3/8 std flat	3	49	1-643006	Blade, notched air foil.....	3
11	1-373034	Washer, pivot	8	◆	1-643097	Blade, mulching.....	3
12	3296-39	Nut, 3/8-16 nyloc	20		1-643428	Blade, low lift	3
13	1-513034	Bearing, pivot.....	2		1-643429	Blade, solid air foil	3
14	1-632119-03	Arm wldmt, deck idler.....	1		103-1581	Blade, bahia	3
15	1-603044	Bushing, idler pivot	1	50	103-0862	Screw, 5/8-11 x 1 gr 8	3
16	323-20	Screw, 3/8-16 x 3 1/4	1	51	323-11	Screw, 3/8-16 x 2 1/4	2
17	3219-6	Nut, 5/8-18 hex.....	6	52	323-13	Screw, 3/8-16 x 2 3/4	1
18	1-513208	Washer, disc spring.....	4	53	1-602913-01	Baffle wldmt, discharge.....	1
19	1-643269	Sheave, Blade drive.	3	54	322-2	Screw, 5/16-18 x 5/8	5
20	1-303334	Washer, 5/16 disc spring...	1	55	98-5961	Screw, 3/8-16 x 4 gr8	6
21	1-322110	Belt guide wldmt	1	56	1-603602	Bushing, roller	6
22	1-634244	Arm wldmt/brg sub-assy....	1	57	1-603299	Roller, anti-scalp.....	6
23	32128-20	Nut, 5/16-18 whizlock	8	58	322-5	Screw, 5/16-18 x 1	5
24	323-6	Screw, 3/8-16 x 1	4	59	1-642071-01	Chute, discharge 72".....	1
25	98-5975	Washer, 3/8 disc spring.....	14	60	329-29	Nut, 5/16-18 nyloc	4
26	32128-37	Nut, 7/16-14 whizlock	16	61	302-40	Zerk, 1/4-20 90°	1
27	103-1898	Screw, 7/16-14 x 1-5/8	8	62	1-603805	Idler pulley 5.06 O.D. V	1
28	1-633447	Chain	4	63	1-634619	Housing w/ring, spacer, brg 3	
29	3217-11	Nut, 5/8-11 hex.....	2	64*	1-644092	Cutter housing complete ...	3
30	3253-8	Lockwasher, 5/8 reg.spring 2		65	103-1082	Strut wldmt S/A	2
31	1-633029	Spherical rod end	2	66	103-0701	Jackshaft Assy	1
32	327-11	Screw, 5/8-11 x 5	2	67	1-643393	Jackshaft.....	1
33	103-1073-01	Strut wldmt, deck.....	2	68	103-0137	Sheave, double	1
34	1-632199-01	Pin wldmt, deck strut.....	2	69	103-0280	Housing, Jackshaft.....	1
35	302-19	Zerk, 1/4-28 straight	4	70	103-0683	Complete deck assembly..	1
36	323-8	Screw, 3/8-16 x 1 1/2	18	71	103-1192	Asm,Jackshaft housing w/brgs 1	
37	1-323417	Washer, rubber	2	72	103-0865	Washer,disc spring	3
38	3256-3	Washer 5/16 std flat	4	73	103-1331	Guard, bearing top	3
39	1-303537	Stud, belt shield.....	2				
40	103-0588-01	Deck weldmt, 72"	1				
	1-644149	Deck weldmt,72" w/decals. 1					

Exmark red touch up spray paint - P/N 1-850337

- ◆ Requires installation of Micro-Mulch accessory for proper mulching. Mulch kit P/N MK724.
- * Cutter housing complete also includes items 17, 18, 19, 50 and 72.
- ❖ This component is required if the keyway on the spindle for your unit is for a woodruff key.
- ⊕ This component is required if the keyway on the spindle for your unit is for a square key.

72" DECK GROUP

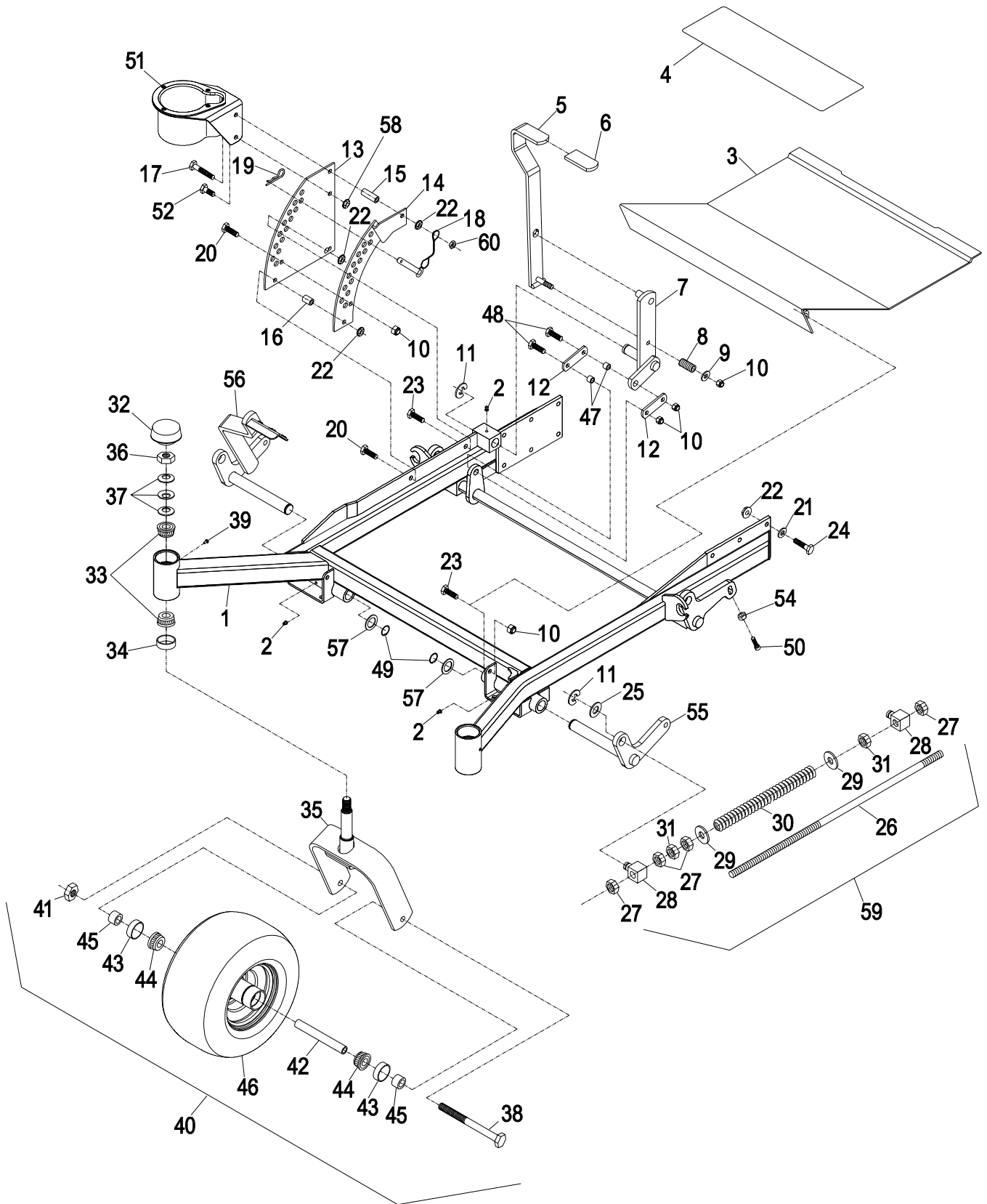


FRONT FRAME GROUP

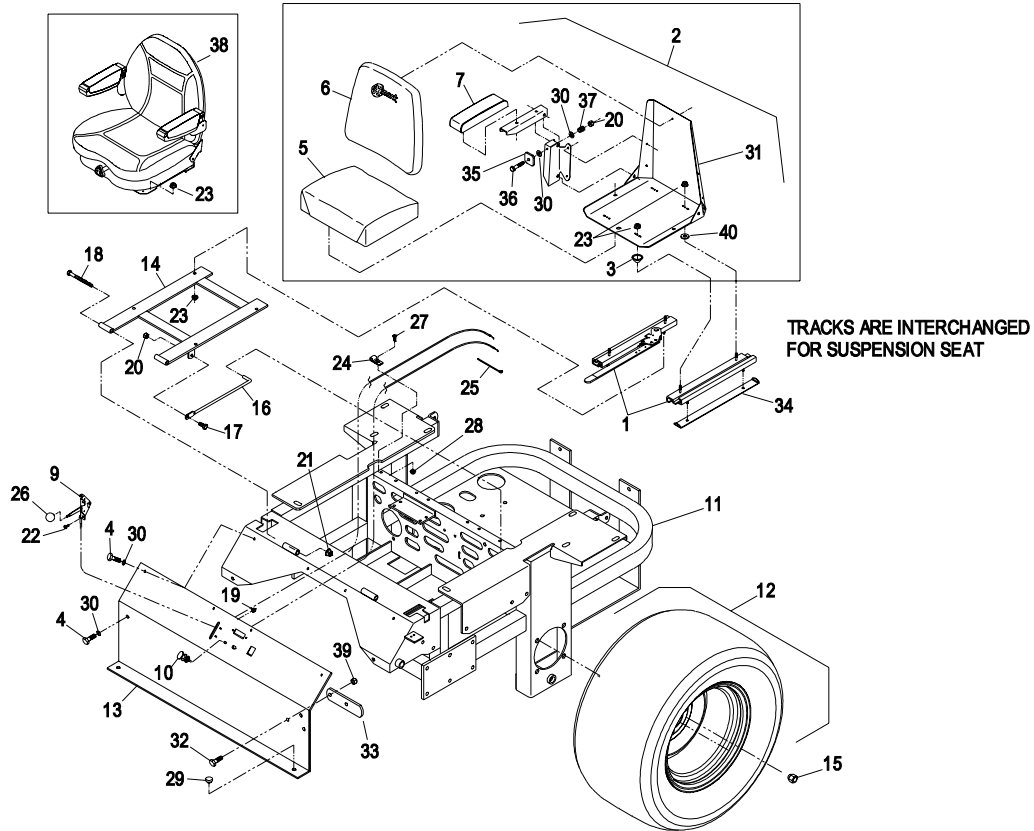
Ref. No.	Part No.	Description	Qty. Req'd.	Ref. No.	Part No.	Description	Qty. Req'd.
1	103-2066-01	Frame wldmt, front 52".....	1	31	3218-6	Jam nut, 5/8-11.....	4
	103-2068-01	Frame wldmt, front 60".....	1	32	1-543513	Cap, grease.....	2
	103-1909-01	Frame wldmt, front 72".....	1	33	1-543509	Bearing cone,tapered roller	4
2	302-19	Zerk, 1/4-28 straight.....	5		1-543508	Bearing cup, tapered roller	4
3	103-1490-01	Floorpan.....	1	34	1-543511	Seal, grease.....	2
4	1-633553	Pad, anti skid.....	3	35	103-1474-01	Caster wldmt.....	2
5	103-2084	Lever w/grip.....	1	36	3296-51	Nut, 3/4-10 nyloc.....	2
	103-2083-03	Lever wldmt, lift.....	1	37	1-633508	Washer, spring disk.....	6
6	1-633295	Grip, lift lever.....	1	38	325-39	Screw. 1/2-13 x 9 1/2.....	2
7	103-2064-03	Arm wldmt, deck lift.....	1	39	1-811010	Plug.....	2
8	1-633325	Spring, compression.....	1	40	103-0069	Caster wheel assy.....	2
9	3256-24	Washer, 3/8 SAE flat.....	1	41	3296-23	Nut, 1/2-13 nyloc.....	2
10	3296-39	Nut, nyloc 3/8-16.....	6	42	1-633959	Spacer, front caster.....	2
11	32151-103	E-ring.....	5	43	103-0063	Seal, bearing.....	4
12	1-633068	Arm, deck lift.....	2	44	1-633585	Bearing cone.....	4
13	1-633889-01	Plate, deck lift.....	1	45	1-633581	Spacer, bearing..	4
14	1-632899-01	Plate wldmt, deck lift.....	1	46	103-0065	Wheel & tire assy.....	2
15	1-633082	Bushing, lift lever.....	1		1-523009	Tire, 13x6.5-6 4 ply.....	2
16	1-633080	Bushing, lift lever.....	1		103-0071	Wheel.....	2
17	323-13	Screw, 3/8-16 x 2 3/4.....	1		1-633584	Bearing cup.....	4
18	1-633097	Hitch pin w/lanyard.....	1	47	103-1918	Bushing.....	2
19	1-806005	Hairpin cotter (serv only)....	1	48	323-29	Screw, 3/8-16 x 1 3/8.....	2
20	323-9	Screw, 3/8-16 x 1 3/4.....	2	49	32151-29	Ring, retaining.....	2
21	98-5975	Washer, 3/8 disc spring.....	12	50	3274-18	Screw, Socket hd 5/16-18x1 1/4.	2
22	3290-357	Nut, whizlock 3/8-16.....	15	51	103-2437	Cup holder assy.....	1
23	323-6	Screw, 3/8-16 x 1.....	3	52	321-2	Screw, 1/4-20 x 1/2.....	1
24	323-7	Screw, 3/8-16X1 1/4.....	12	54	3218-2	Jam nut, 5/16-18.....	2
25	3256-29	Washer, 7/8 SAE flat.....	4	55	103-1955-01	Weldmt, front lift shaft (LH)	1
26	1-633096	Rod, deck lift.....	2	56	103-2013-01	Weldmt, front lift w/lever(RH)	1
27	3217-11	Nut, 5/8-11 regular.....	8	57	1-523157	Washer, spacer.....	2
28	1-633441	Swivel, deck mount.....	4	58	32128-33	Nut, whizlock 1/4-20.....	1
29	3256-7	Washer, 5/8 std flat.....	4	59	1-634439	Asm, deck lift spring(52" & 60")	1
30	1-633064	Spring, deck support (52" & 60")	2		103-2047	Asm, deck lift spring (72")...	1
	1-643015	Spring, deck support (72") ..	2	60	3296-59	Nut, nyloc 3/8-16 (light thin)	1

Exmark red touch up spray paint - P/N 850337

FRONT FRAME GROUP



MAIN FRAME GROUP



Ref. No.	Part No.	Description	Qty. Req'd.	Ref. No.	Part No.	Description	Qty. Req'd.
1	1-643255	Track, seat (4" adjustable) ...	1	24	1-513762	Clip, loom (.50)	1
2	103-0287	Seat (All units except 26hp Koh)	1	25	1-303335	Plastic tie (lrg)	1
3	1-543401	Spacer, seat track	2	26	1-513592	Ball, (red) throttle cable	1
4	322-3	Screw, 5/16-18 x 3/4	6	27	321-6	Screw, 1/4-20 x 1.0	1
5	103-0290	Cushion, seat	1	28	32128-33	Nut, whizlock 1/4-20	1
6	103-0289	Cushion, backrest	1	29	1-513658	Bumper	2
7	103-0292	Cushion, armrest (RH)	1	30	3256-23	Washer, 5/16 SAE flat	10
8*	103-0291	Cushion armrest (LH)	1	31	1-633859	Seat Frame	1
9	1-633696	Cable, throttle	1	32	323-6	Screw, 3/8-16 x 1	2
10	1-603336	Cable, choke	1	33	1-633964-03	Stop, Park Brake	1
11	103-2131-03	Frame, engine deck	1	34♦	1-633872-03	Stop/Spacer (26 HP Kohler & 23 & 27 HP Kaw liq-cooled)	2
12	1-633970	Wheel/tire assy. (60" & 72") ..	2	35	103-0284	Tab, Armrest Adjustment	2
	1-633993	Tire, 24x12-12 4 ply (60" & 72")	2	36	322-7	Screw, 5/16-18 x 1 1/2	2
	1-633992	Wheel (60" & 72")	2	37	1-633349	Spring, Compression	2
	1-653010	Wheel/tire assy. (52")	2	38∇	1-633821	Seat, Suspension (26hp Koh)	1
	1-653160	Tire, 23x9.5-12 4 ply (52")	2		1-631845	Kit, Pan w/seat & back	1
	1-653158	Wheel (52")	2		1-631844	Kit, Armrest Assy	1
13	1-633965-03	Front, Console	1		1-631843	Kit, Boot, upper&lower wire ..	1
14	1-632187-03	Frame, seat mount	1		1-631842	Kit, ArmrestPad w/hardware ..	1
15	242-50	Nut, wheel 1/2-20	8		1-631846	Kit, Damper w/hardware	1
16	1-633293	Rod, seat hold-up	1		1-631847	Kit, Rollers, bumpers&hrdwre	1
17	322-5	Screw, 5/16-18 x 1	1		1-631848	Kit, Spring, Cable & hardware	1
18	323-39	Screw, 3/8-16 x 5	2		1-631849	Kit, Knob, Shaft & hardware ..	1
19	3296-2	Nut, nyloc #10-24	2		1-643281	Switch, Seat	1
20	3296-29	Nut, nyloc 5/16-18	3	39	3290-357	Nut, whizlock 3/8-16	1
21	3296-39	Nut, nyloc 3/8-16	2	40	3256-3	Washer, 5/16 std flat	2
22	1-807513	Screw, #10-24 x 1/2	2				
23	32128-20	Nut, whizlock 5/16-18	8				

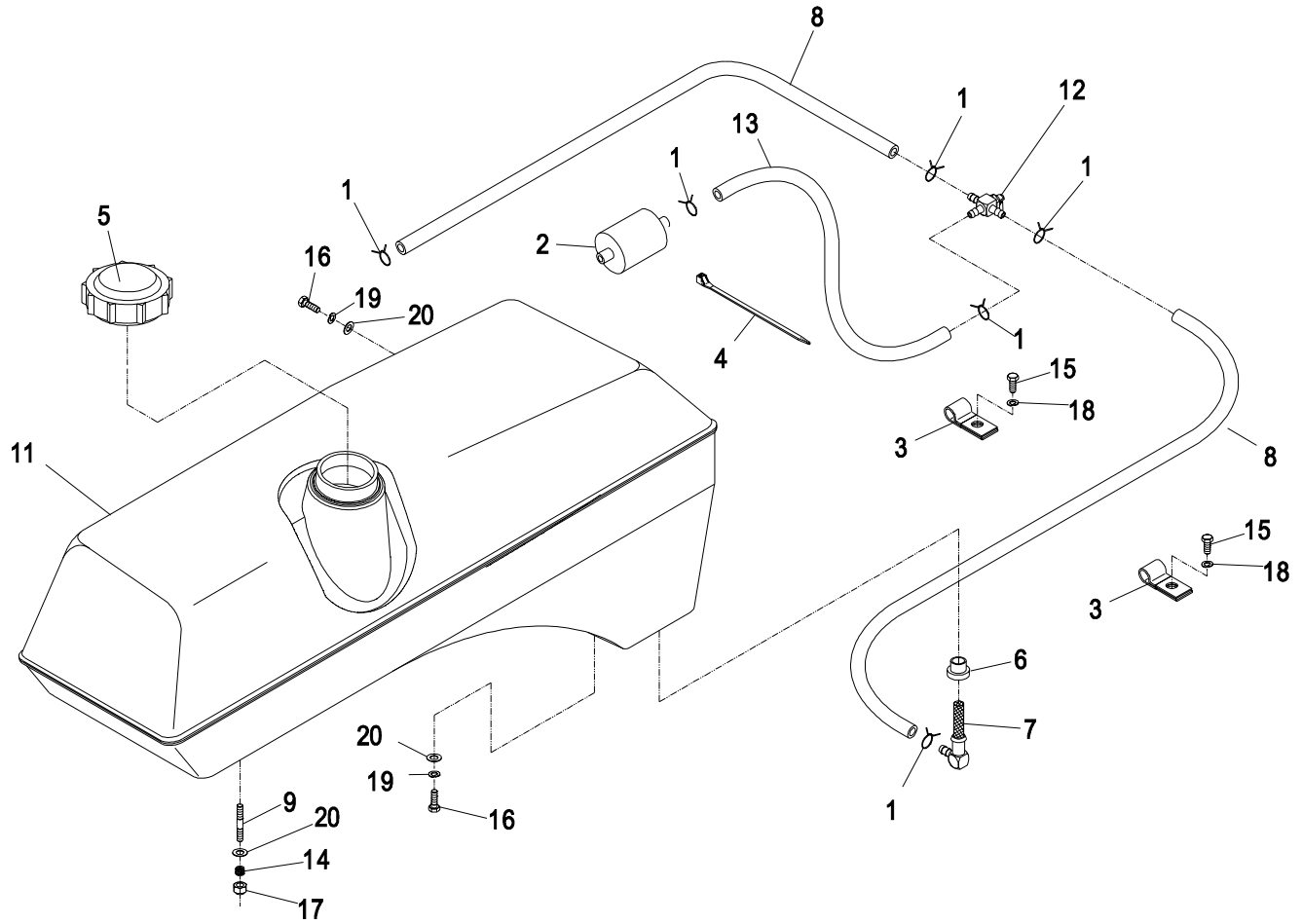
* Not Illustrated

∇ The suspension seat is standard on the Kohler 26 HP EFI units, it is an optional kit on other units PN MSS LZ.

♦ The stop/spacer is installed with the slotted holes to the rear on 26HP Kohler units and the slotted holes to the front on Kawasaki liquid-cooled units. NOTE: If a Suspension Seat is installed on a Kawasaki liquid-cooled unit the stop/spacer must be turned around and re-installed with the slotted holes to the rear.

Exmark black touch up spray paint - gloss black

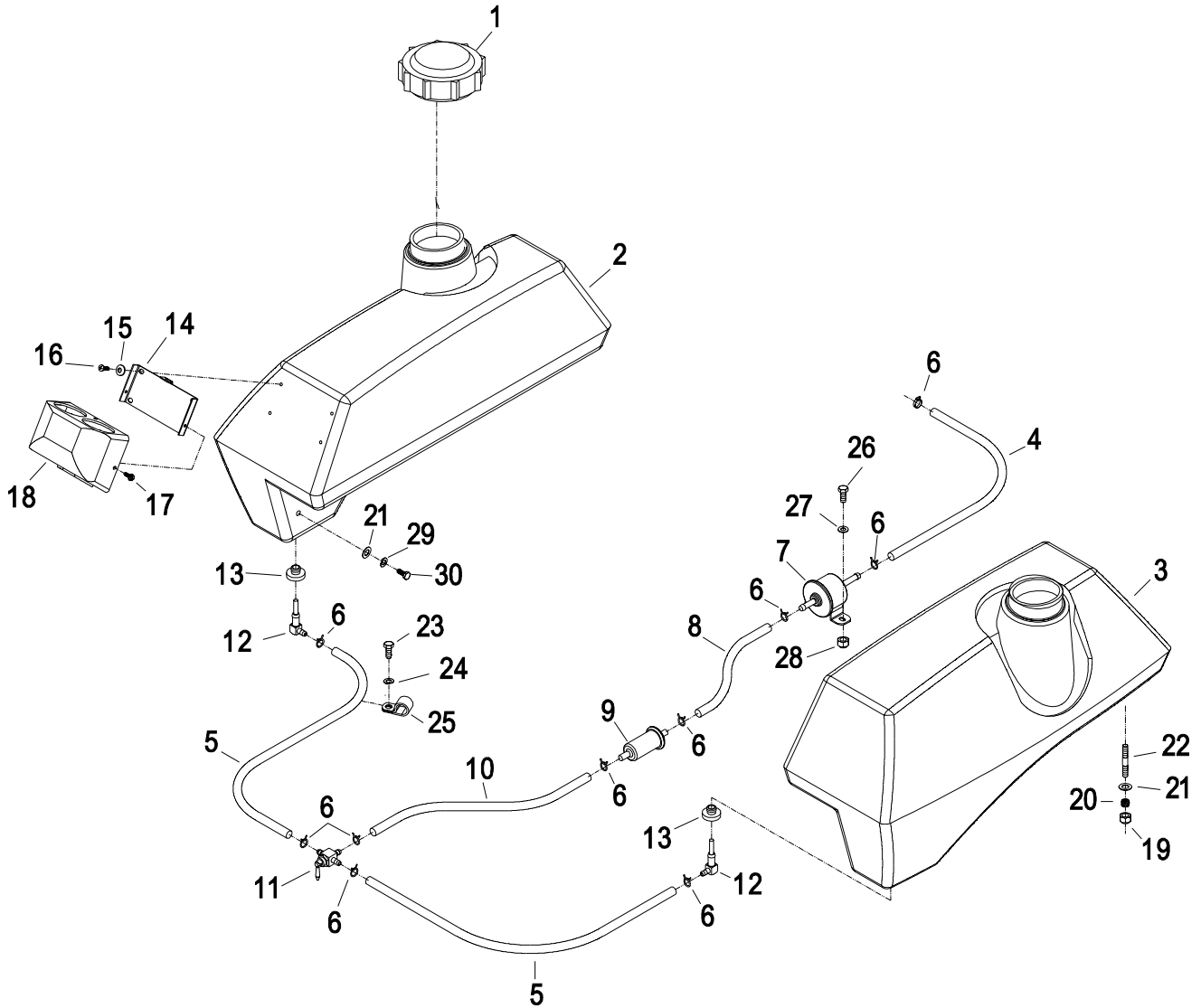
25 HP KAWASAKI and 20, 23 & 25 HP KOHLER AIR-COOLED FUEL GROUP



Ref. No.	Part No.	Description	Qty. Req'd.	Ref. No.	Part No.	Description	Qty. Req'd.
1	1-303077	Clamp, fuel line	6	11	103-1886	Tank, fuel (RH)	1
2	⊠ Kohler Part No. 2405002	Fuel Filter..	1	12	1-633347	Valve, fuel	1
	⊠ Kawasaki Part No. 49019-7001	Fuel Filter	1	13	1-633348	Fuel line	1
3	1-513762	Clip, loom .50	2	14	1-633349	Spring, fuel tank.....	6
4	1-303335	Plastic tie (large)	1	15	321-3	Screw, 1/4-20 x 5/8.....	2
5	103-2107	Cap, fuel tank.....	2	16	322-3	Screw, 5/16-18 x 3/4.....	4
6	1-513645	Bushing	2	17	3296-47	Nut, thin nyloc 5/16-18.....	6
7	1-543277	Elbow, strainer	2	18	1-805004	Washer, lock 1/4.....	2
8	1-543456	Fuel line.....	2	19	1-805005	Washer, lock 5/16.....	4
9	1-633023	Stud, fuel tank	6	20	3256-23	Washer, 5/16 SAE.....	10
10*	103-1885	Tank, fuel (LH)	1				

- ◆ Use Prolock, Retaining type (Part No. 1-840023), .5cc tube on stud threads going into the tank.
- * Not Illustrated.
- ⊠ Refer to Engine Owner's Manual (Fuel Filter **Must** be 15 Micron or smaller).

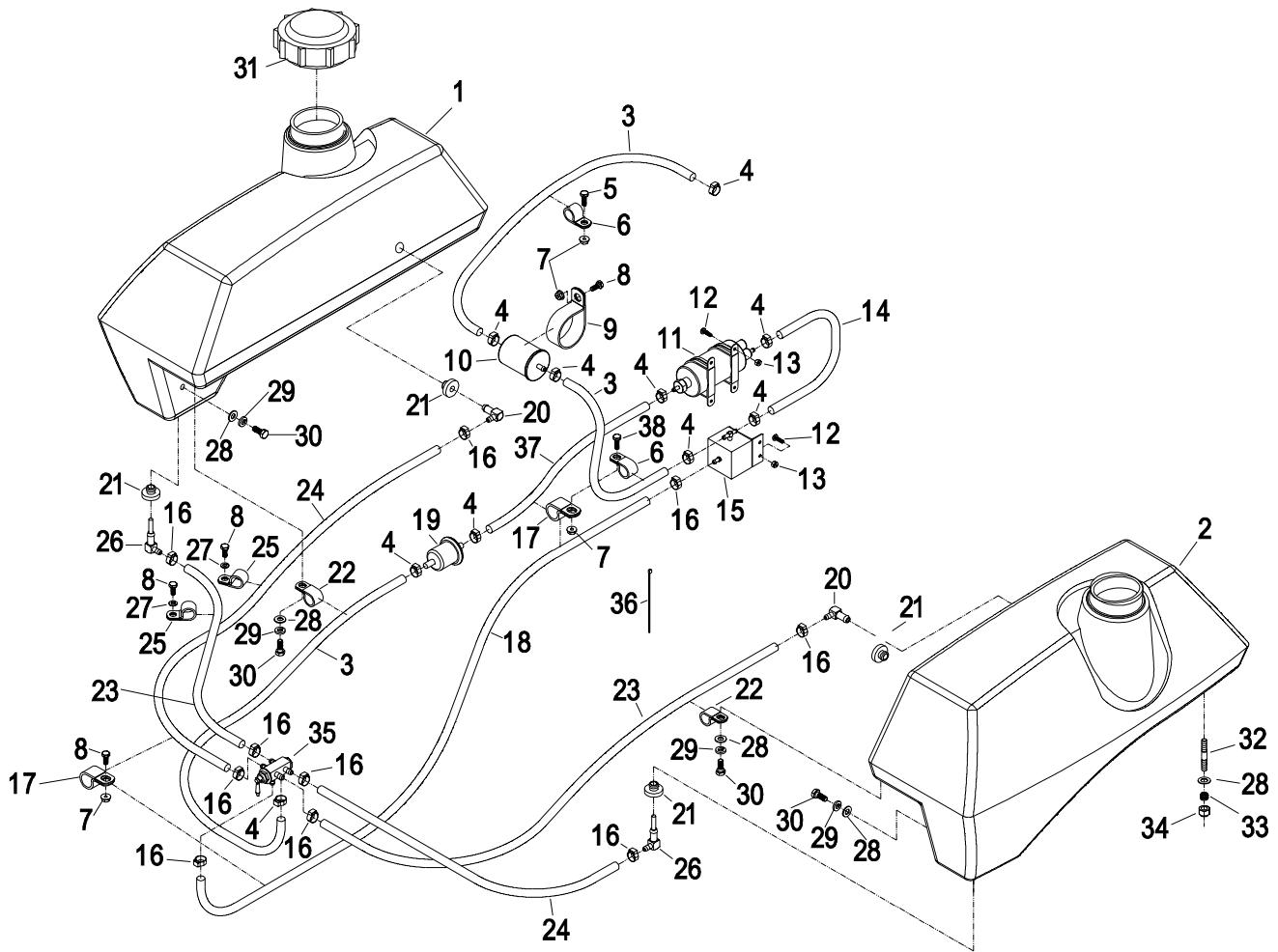
KAWASAKI LIQUID-COOLED FUEL GROUP



Ref. No.	Part No.	Description	Qty. Req'd.	Ref. No.	Part No.	Description	Qty. Req'd.
1	103-2107	Cap, fuel tank.....	2	16▽	3290-500	Screw, Machine 10-24x5/8...	4
2	103-1887	Tank, fuel (RH).....	1	17	1-802002	Screw, thread cut 10-32x1/2	3
3	103-1885	Tank, fuel (LH).....	1	18	1-643013	Cover, gauge.....	1
4	103-1335	Fuel, line	1	19	3296-47	Nut, thin nyloc 5/16-18	6
5	1-543456	Fuel line	2	20	1-633349	Spring, fuel tank	6
6	1-303077	Clamp, fuel line	10	21	3256-23	Washer, 5/16 SAE.....	10
7♣	Kawasaki P/N 49040-2065	Fuel Pump..	1	22◆	1-633023	Stud, fuel tank	6
8	1-643270	Fuel line	1	23	321-3	Screw, 1/4-20 x 5/8	1
9♣	Kawasaki P/N 49019-1055	Fuel Filter ...	1	24	1-805004	Washer, lock 1/4	1
10	1-303426	Fuel line	1	25	1-513762	Clip, loom .50	1
11	1-633347	Valve, fuel	1	26	321-4	Screw, Cap 1/4-20x3/4.....	2
12	1-543277	Elbow, strainer	2	27	3256-22	Washer, flat SAE 1/4.....	2
13	1-513645	Bushing	2	28	32128-33	Nut, whizlock 1/4-20	2
14	1-643014-03	Bracket, gauge mount.....	1	29	1-805005	Washer, lock 5/16	4
15	1-303435	Washer, disc spring 1/4	4	30	322-3	Screw, 5/16-18 x 3/4	4

- ◆ Use Prolock, Retaining type (Part No. 1-840023), .5cc tube on stud threads going into the tank.
- ♣ Refer to Engine Owner's Manual (Fuel Filter **Must** be 40 Micron or smaller).
- ▽ Snug fit only on slotted holes, **Do Not Overtighten**, tank must be able to expand.

KOHLER 26 HP EFI FUEL GROUP



Ref. No.	Part No.	Description	Qty. Req'd.	Ref. No.	Part No.	Description	Qty. Req'd.
1	103-1889	Tank, EFI Fuel (RH)	1	20	1-643172	Elbow, 90°	2
2	103-1888	Tank, EFI Fuel (LH)	1	21	1-513645	Bushing, Fuel Valve	4
3	1-643238	Fuel line, .31 x 24"	3	22	103-0373	Clip, Loom	2
4▲	1-643277	Clamp, .31 I.D. Fuel Hose ...	10	23	1-633348	Fuel Line.....	2
5	321-4	Screw, Cap 1/4 -20 x 3/4	1	24	1-543456	Fuel Line.....	2
6	1-603727	Clip, Loom .56.....	2	25	1-513762	Clip, loom .50	2
7	32128-33	Nut, Whizlock 1/4-20	4	26	1-543277	Elbow, 90° w/strainer.....	2
8	321-3	Screw, Cap 1/4 -20 x 5/8	3	27	1-805004	Washer, lock 1/4	2
9	1-643241	Clip, Loom 2.13	1	28	3256-23	Washer, flat SAE 5/16.....	10
10☒	Kohler P/N 24 050 03	Fuel Filter (large) .	1	29	1-805005	Washer, lock 5/16 hvy.....	4
11☒	Kohler P/N 24 393 20	Fuel Pump	1	30	322-3	Screw, 5/16-18 x 3/4	4
12	3290-500	Screw, Machine #10-24x5/8	6	31	103-2107	Cap, Fuel Tank.....	2
13	3296-2	Nut, Nyloc #10-24	6	32◆	1-633023	Stud, Fuel Tank.....	6
14	1-643236	Fuel Line, .31 x 9	1	33	1-633349	Spring, Fuel Tank.....	6
15☒	Kohler P/N 24 403 12	Fuel Regulator.....	1	34	3296-47	Nut, Thin Nyloc 5/16-18.....	6
16▲	1-643293	Clamp, .25"	10	35	1-643234	Valve, Fuel Dual Flow	1
17	1-643312	Clip, loom.....	2	36	1-303287	Plastic Tie (small	1
18	1-643235	Fuel line, .25 x 40"	1	37	1-643239	Fuel line, .31 x 28.0.....	1
19	99-9403	Fuel Filter.....	1	38	321-6	Screw, Cap 1/4-20 x 1.....	1

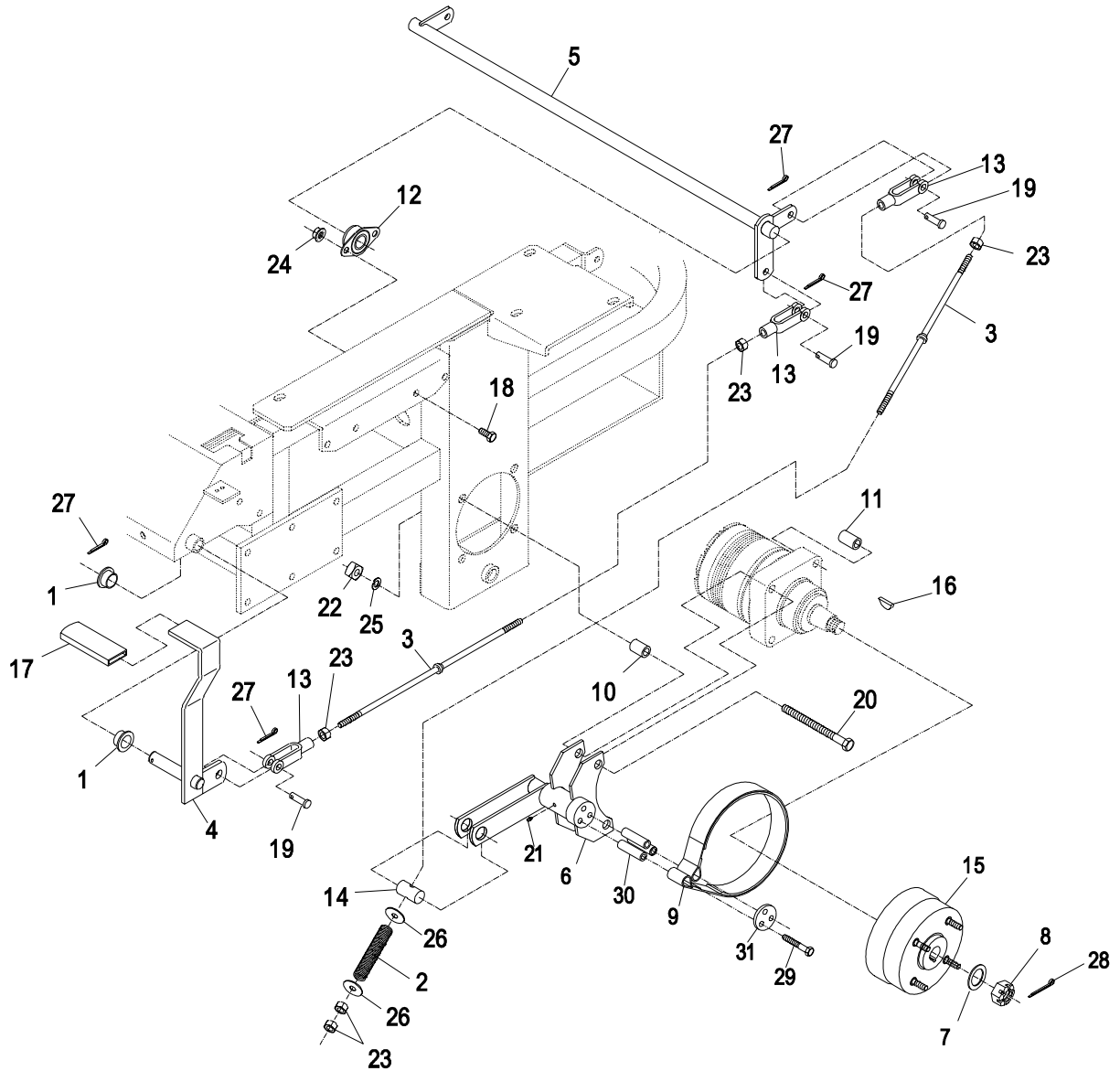
- ◆ Use Prolock, Retaining type (Part No. 1-840023), .5cc tube on stud threads going into the tank.
- ☒ Refer to Engine Owner's Manual (Fuel Filter **Must** be 40 Micron or smaller).
- ▲ Clamps require special pliers P/N 1-643394 (Oetiker P/N 14100118 or Kohler P/N 2445505) for installation.

PARK BRAKE GROUP

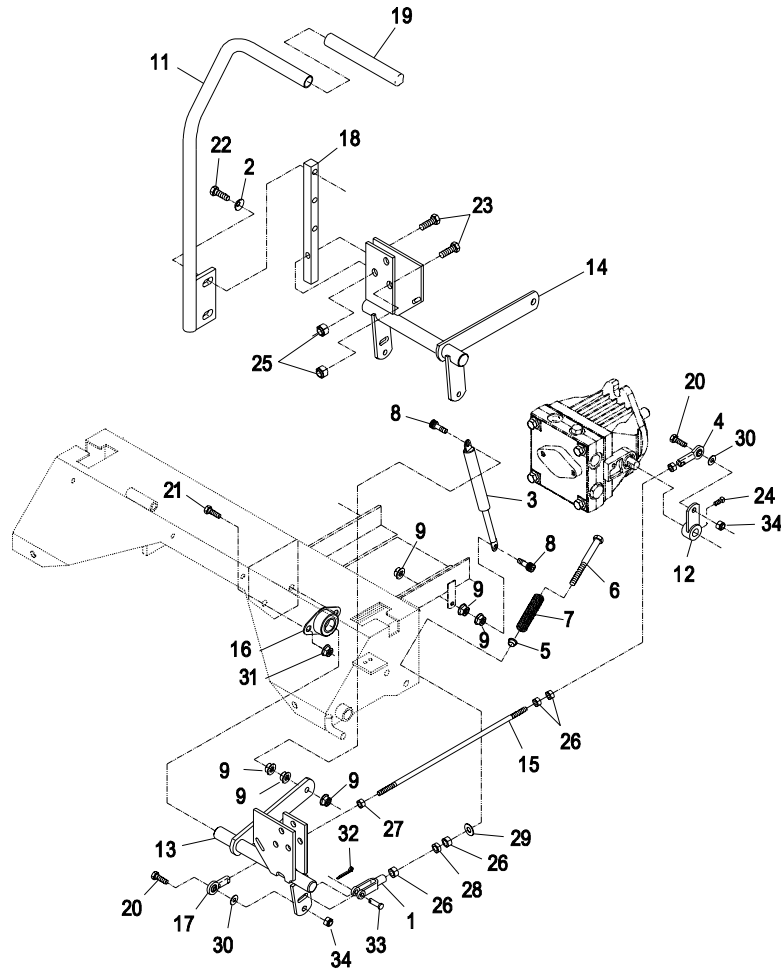
Ref. No.	Part No.	Description	Qty. Req'd.	Ref. No.	Part No.	Description	Qty. Req'd.
1	1-513140	Bushing.....	2	16	1-807020	Woodruff key, 5/16X1	2
2	1-633454	Spring, brake rod	2	17	1-633268	Grip, brake lever	1
3	1-633477	Rod, brake	3	18	323-4	Screw, 3/8-16 x ¾	4
4	1-634500	Lever w/grip	1	19	1-808285	Pin, clevis 3/8 x 1 1/8.....	4
	1-632489-03	Lever, brake.....	1	20	325-17	Screw, 1/2-13 x 4 (52"&62")	8
5	1-632217-03	Shaft, brake	1		1-800334	Screw, 1/2-13 x 6 (72").....	8
6	103-0352-03	Bracket, brake (52"&60")	2	21	1481	Zerk, 1/4-28 45° (52"&60") .	2
	103-0354-03	Bracket, brake (72").....	2		302-19	Zerk, 1/4-28 straight (72") ...	2
7	1-523157	Washer, spacer	2	22	103-0131	Nut, sq. reg. ½ -13 UNC-2B	8
8	1-809036	Nut, slotted 1.00-20	2	23	3219-3	Nut, 3/8-24.....	8
9	103-0355	Band, brake	2	24	3290-357	Nut, whizlock 3/8-16	4
10	1-633380	Spacer (short)(52"&60").....	4	25	3253-7	Washer, lock ½	8
♦	1-633060	Spacer (short) (72")	4	26	3256-4	Washer, 3/8 std	4
11	1-633382	Spacer (long)(52"&60").....	4	27	3272-10	Pin, cotter 1/8 x ¾	7
♦	1-633062	Spacer (long)(72")	4	28	1-806800	Pin, cotter 9/64 x 1 ½	2
12	1-633102	Bearing, flange.....	2	29	322-9	Screw, 5/16-18x1 ¾	6
13	1-633131	Yoke.....	4	30	103-0384	Spacer	6
14	1-633144	Pin, trunion.....	2	31	103-0374	Retainer, brake band.....	2
15	103-0590	Hub & drum w/studs, wheel	2				
♦	1-633926	Studs, wheel	8				

- ♦ Not Illustrated
- Exmark black touch up spray paint - gloss black

PARK BRAKE GROUP



MOTION CONTROL LEVERS



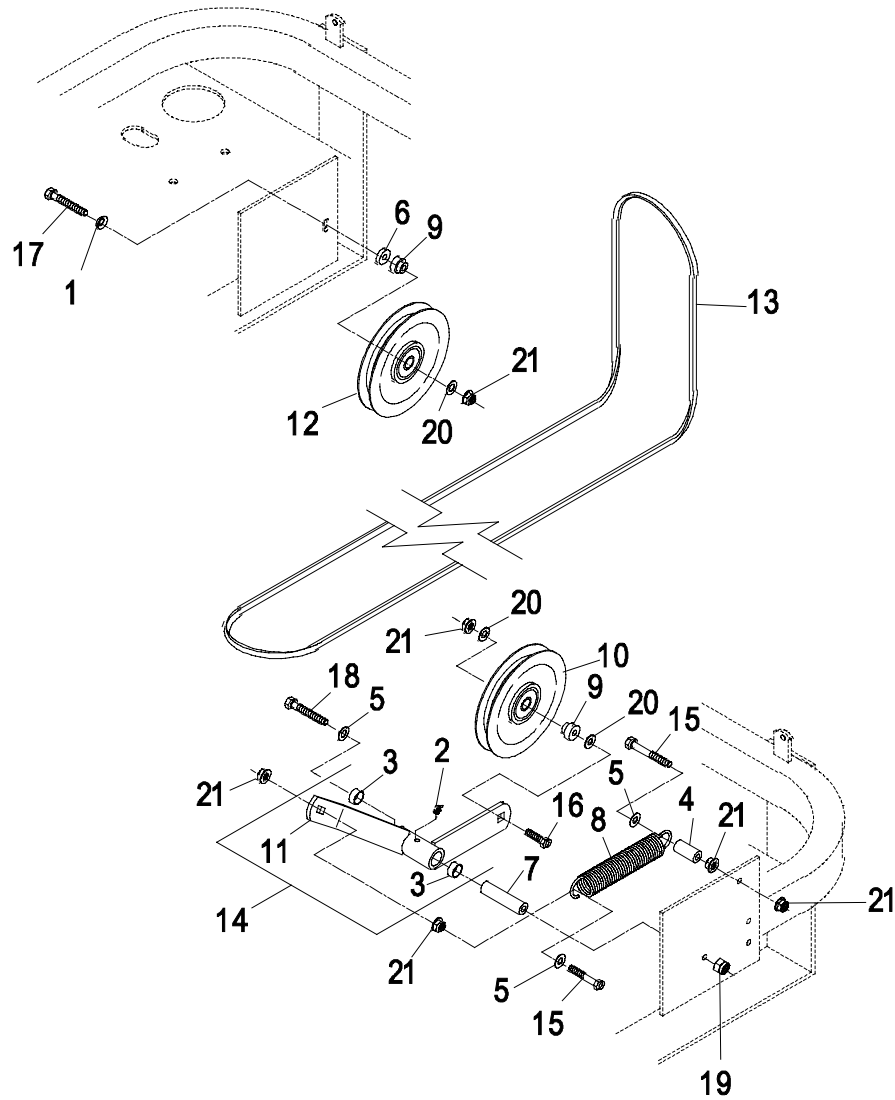
Ref. No.	Part No.	Description	Qty. Req'd.	Ref. No.	Part No.	Description	Qty. Req'd.
1	1-303105	Yoke.....	2	18	103-0407	Arm, control shaft.....	2
2	98-5975	Washer, disc spring 3/8....	4	19	1-633257	Grip, motion control handle	2
3	1-523027	Damper.....	2	20	322-6	Screw, 5/16-18 x 1 1/4.....	4
4	1-543017	Ball joint (RH).....	2	21	323-4	Screw, 3/8-16 x 3/4.....	8
5	1-603735	Bushing,nylon (reverse ind)	2	22	323-7	Screw, 3/8-16 x 1.....	4
6	1-603737	Bolt, (neutral return).....	2	23	323-9	Screw, 3/8-16 x 1 3/4.....	6
7	1-603807	Spring, (neutral return).....	2	24◇	1-803022	Set screw, 5/16 x 5/8.....	2
8	1-403180	Screw, 5/16-18x1 3/8 special	4	25	3296-39	Nut, nyloc 3/8-16.....	6
9	32128-20	Nut, whizlock 5/16-18.....	12	26	3219-2	Nut, 5/16-24.....	10
10*	103-0631	Handle w/grip (LH).....	1	27	1-804524	Nut, 5/16-24 (LH).....	2
	103-0409-03	Handle, motion control (LH)	1	28	3220-2	Nut, jam 5/16-24.....	2
11	103-0632	Handle w/grip (RH).....	1	29	3256-2	Washer, 1/4.....	2
	103-0410-03	Handle, motion control (RH)	1	30	3256-3	Washer, 5/16 std.....	4
12	1-632208	Arm, pump control.....	2	31	3290-357	Nut, whizlock 3/8-16.....	8
13	1-642319	Bracket, motion control (LH)	1	32	3272-5	Pin, cotter 3/32 x 1/2.....	2
14	1-642320	Bracket, motion control (RH)	1	33	1-808280	Pin, clevis 5/16 x 1.....	2
15	1-633153	Link, pump control.....	2	34	3296-29	Nut, nyloc 5/16-18.....	4
16	1-633102	Bearing, flanged.....	4				
17	1-633152	Ball joint (LH).....	2				

Exmark black touch up spray paint - gloss black

* Not Illustrated.

◇ Use Pro-Lock, Nut Type (P/N 1-840022, .5ml tube) on setscrews

COMMON ENGINE DECK GROUP



Ref. No.	Part No.	Description	Qty. Req'd.	Ref. No.	Part No.	Description	Qty. Req'd.
1	98-5975	Washer, spring disc 3/8	1	12	1-633166	Pulley, idler.....	1
2	302-40	Zerk, 1/4-20 (90°).....	1	13	1-633173	Belt, mule drive	1
3	1-513034	Bearing.....	2	14	1-632469	Arm, idler w/bushings.....	1
4	1-603401	Spacer, spring.....	1	15	323-11	Screw, 3/8-16 x 2 1/4	2
5	3256-4	Washer, 3/8	3	16	323-9	Screw, 3/8-16 x 1 3/4	1
6	1-603050	Spacer	1	17	323-13	Screw, 3/8-16 x 2 3/4	1
7	1-603384	Bushing, idler pivot.....	1	18	1-800805	Screw, 3/8-16 x 3 1/2	1
8	1-603402	Spring, mule idler	1	19	3296-39	Nut, nyloc 3/8	1
9	1-603496	Bushing, idler	2	20	3256-24	Washer, 3/8 sae.....	3
10	1-603805	Pulley, idler	1	21	3290-357	Nut, whizlock 3/8-16.....	6
11	1-632468-03	Arm, idler	1				

Exmark black touch up spray paint - gloss black

AIR-COOLED ENGINE DECK GROUP

Ref. No.	Part No.	Description	Qty. Req'd.	Ref. No.	Part No.	Description	Qty. Req'd.
1	1-643315	Baffle, Engine Cooler.....	1	33	32128-33	Nut, whizlock 1/4-20	5
2	1-303335	Plastic tie	1	34	1-633396	Clip, loom .56.....	1
3	1-523420	Bumper, rubber	2	35	1-809076	Screw, M6-1.0 x 45mm	
4	322-6	Screw, cap 5/16x 1 1/4	1		(20, 23 & 25 hp Koh)	2	
5	1-633630	Grommet (all clutches).....	2		1-809108	Screw, 5/16-18x1.75	
6	1-603610	Washer, spring disc(all clutches)	2		(25 hp Kaw & 26 hp Koh) ..	2	
7	1-633615-03	Guard, rear engine.....	1	36	1-323235	Washer, disc spring	
8	1-633543-03	Strap, clutch (all clutches).....	1		(20, 23 & 25 hp Koh only)..	2	
9	103-0662	Clutch w/tie (20&23HP Koh)	1	37	1-323236	Spacer	2
	103-0665	Clutch w/tie (25&26HP Koh)	1	38	1-633545	Spacer, Grommet (all clutches).	2
10	1-633453	Spacer (20&23HP Koh)	1	39	1-633988	Spacer, clutch anchor.....	1
	1-633179	Spacer (25&26HP Koh & 25HP Kaw)	1	40	3296-29	Nut, nyloc 5/16-18 (Warner) .	1
11	1-634308	Shield, lift – subassy (Koh)....	1		3296-29	Nut, nyloc 5/16-18 (Ogura)	2
	103-1301	Shield, lift – subassy (Kaw) ...	1	41	3256-63	Washer, 3/16 std.	6
12	103-1308	Shield, engine	1	42▽	103-1996	Valve, oil drain long (Koh)	1
13	1-633300-03	Shield, lift (Koh).....	1	43*	103-2459	Muffler,kit (26hp EFI Koh).....	1
	103-1304-03	Shield, lift (Kaw)	1		103-1595	Muffler,kit (25hp Kaw).....	1
14	1-634796	Shield (LH) - subassy (Koh)...	1	44	9266934	Screw, 5/16-18x.5	
	103-0241	Shield (LH) - subassy (Kaw)..	1		(25 hp Kaw & 26 hp Koh) ..	2	
15	1-633301	Shield, heat (Koh)	2	45	324-2	Screw, 7/16-14x.75 g5	
	103-0243	Shield, heat (Kaw)	2		(25 hp Kaw & 26 hp Koh) ..	2	
16	1-633795-03	Baffle, engine (LH).....	1	46	3253-6	Washer, Lock 7/16	
17	1-643313-03	Shield, muffler	1		(25 hp Kaw & 26 hp Koh) ..	2	
18	1-644316	Shield (RH) - subassy (Koh)...	1	47	33014-00	Nut, Hex M8 1.25	
	103-0242	Shield (RH) - subassy (Kaw)..	1		(25 hp Kaw & 26 hp Koh) ..	4	
19	1-523285	Clip, shield (Koh)	2	48	1-805005	Washer, Lock 5/16hvy	
	1-523285	Clip, shield (Kaw)	4		(25 hp Kaw & 26 hp Koh) ..	4	
20	1-633794-03	Baffle, engine (RH).....	1	49	103-0152	Keeper, Clutch (25 hp Kaw)...	1
21	322-19	Screw, 5/16-18x4	1	50	1-653291	Gasket (Koh)	2
22	321-4	Screw, 1/4-20 x 3/4.....	10		1-653313	Gasket (Kaw)	2
23	1-613235	Washer (Warner)	4	51	103-1513	Arrester,Spark (1.25)	1
	1-613235	Washer (Ogura)	5		(26 hp Koh EFI & 25 hp Kaw)		
24	323-6	Screw, 3/8-16 x 1	8	52	103-1514	Clamp,Muffler (1.38)	1
	323-6	Screw, 3/8-16 x 1 (26hp Koh)...	9		(26 hp Koh EFI & 25 hp Kaw)		
25 ▣	3212-10	Screw, 7/16-20x2 1/2 (Koh)		53	323-9	Screw, 3/8-16 x 1 3/4	4
		(all clutches)	1	54	98-5975	Washer, spring disc 3/8.....	4
▣	3212-6	Screw, 7/16-20x1 1/2 (Kaw)		55	103-1965	Valve, oil drain short (Kaw)..	1
		(all clutches)	1	56	103-1966	Adapter, M-20x2.5 / 3/8 NPT	1
26	1-803035	Rivet, 3/16 x 1/4 (Koh).....	11	57	103-1964	Hose, 24" oil drain	1
	1-803035	Rivet, 3/16 x 1/4 (Kaw)	13	58	1-641212	Clutch w/tie (Ogura).....	1
27	3296-42	Nut, nyloc 1/4-20.....	6	59	1-807261	Key, 1/4 x 1/4 x 2.0 (Ogura).	1
28	1-643264-03	Bracket, guard top	2	60	1-643179	Spacer, clutch (Ogura)	1
29	3256-2	Washer, 1/4 std.....	4	61	322-7	Screw, 5/16-18 x 1/2 (Ogura)	1
30	3256-3	Washer, 5/16 std (all clutches)	1	62	1-633082	Spacer, clutch anchor (Ogura)	1
31	32128-20	Nut, whizlock 5/16-18.....	1	63	322-14	Screw, 5/16-18 x 3.0 (Ogura)	1
32	3290-357	Nut, whzlck 3/8-16	14	64	1-643180	Keeper, clutch (Ogura)	1
	3290-357	Nut, whzlck 3/8-16 (26hp Koh)...	15				

▽ Use a Teflon Pipe Sealant or equivalent on threads.

▣ Use Pro-Lock, Nut Type (P/N 840022, .5ml tube) on clutch bolt.

* The muffler for 20, 23 & 25 HP Kohler units comes with the engine.

Exmark black touch up spray paint - gloss black

Kohler Replacement Parts List

(Refer to Engine Owner's Manual)

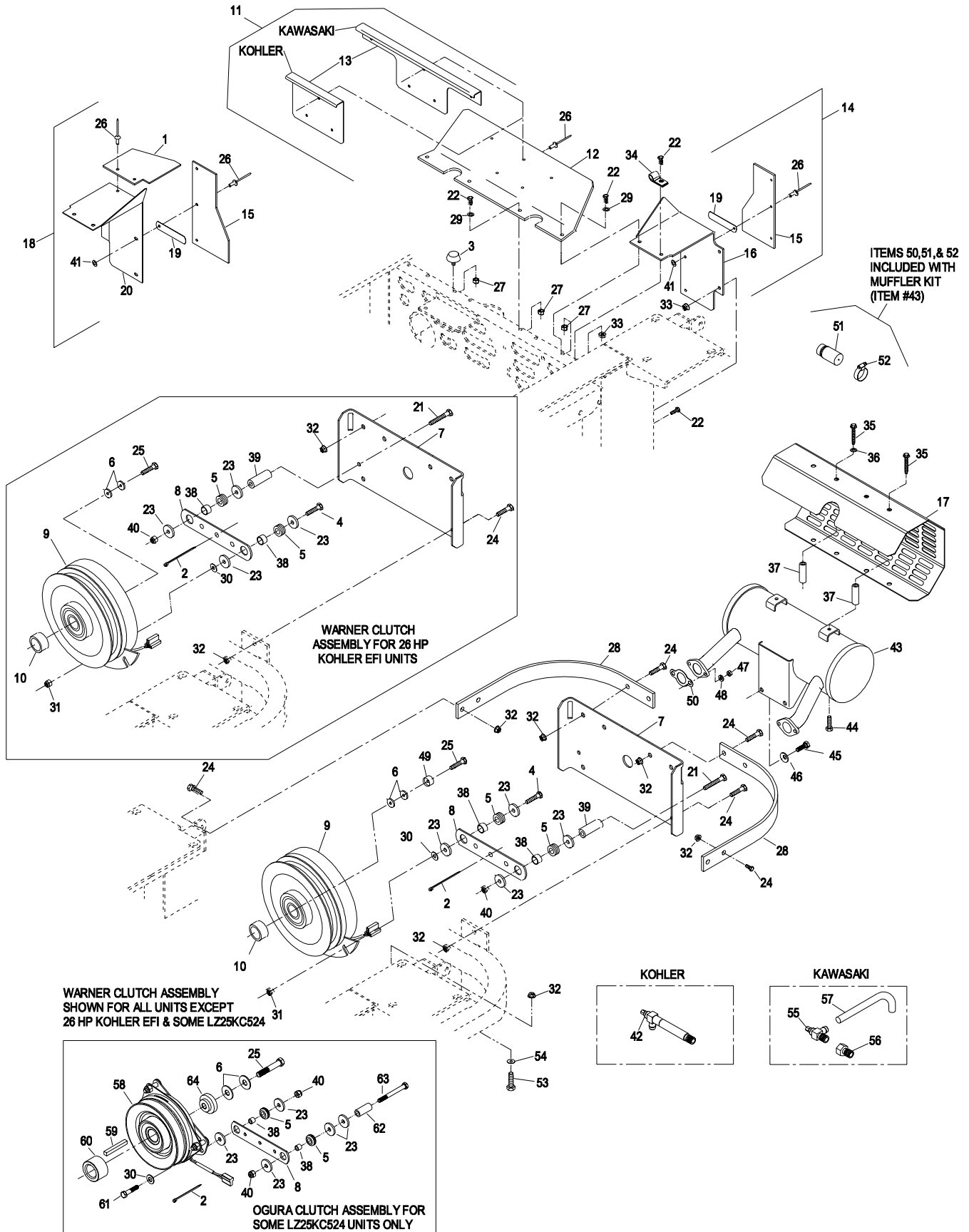
Description	Kohler Part No.
Engine Oil Filter	5205002
Air Filter	2508301
Safety Filter	2508304

Kawasaki Replacement Parts List

(Refer to Engine Owner's Manual)

Description	Kawasaki Part No.
Engine Oil Filter	49065-2078
Air Filter w/ Precleaner	11029-7004
Air Filter	11013-7007
Air Precleaner	11013-7011

AIR-COOLED ENGINE DECK GROUP



KAWASAKI LIQUID-COOLED ENGINE DECK GROUP

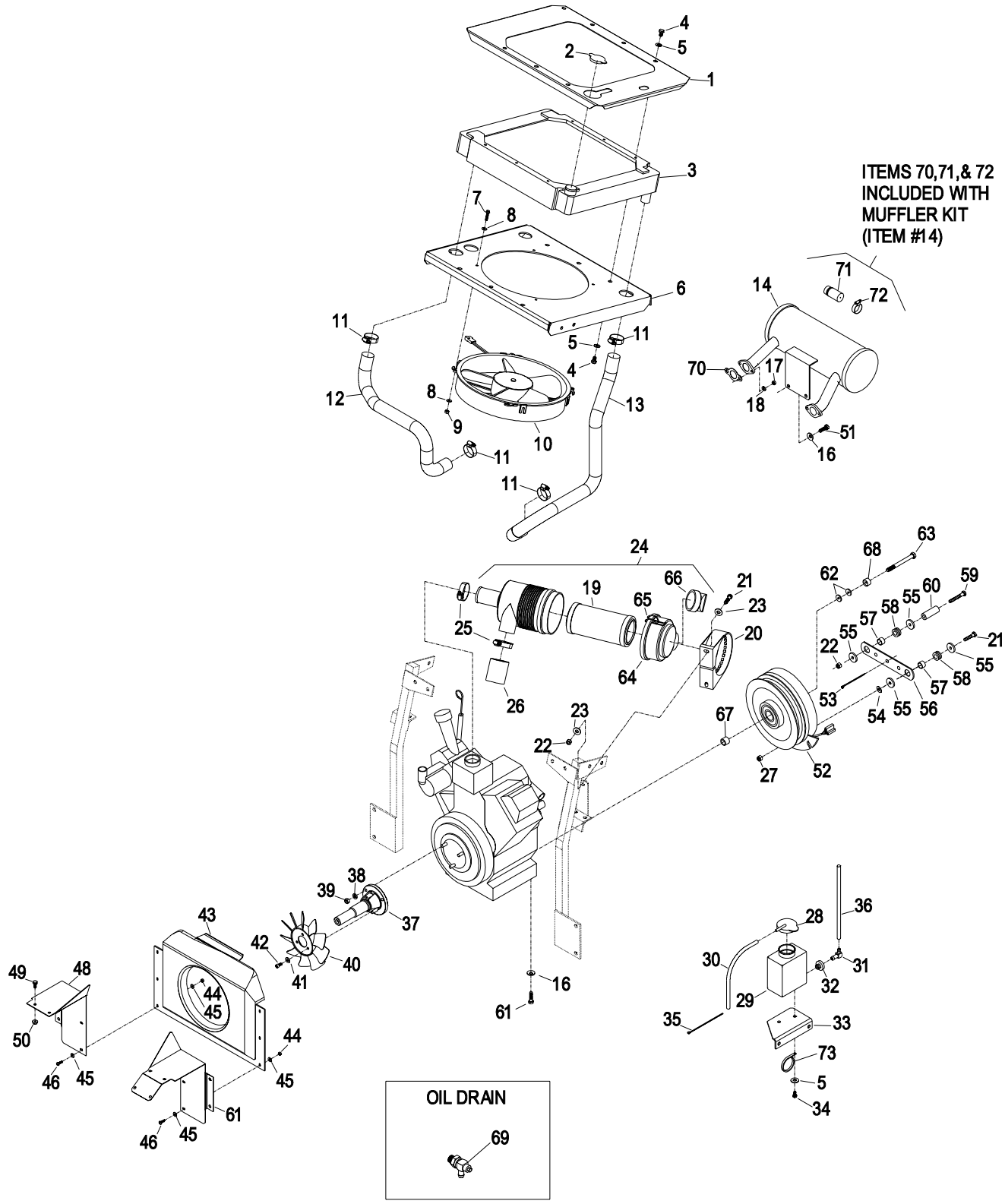
Ref No.	Part No.	Description	Qty. Req'd.	Ref. No.	Part No.	Description	Qty. Req'd.
1	1-633902-03	Plate, Radiator Trim Face.	1	38	1-805005	Washer, Lock 5/16.....	3
2	1-643161	Cap, Radiator.....	1	39	33014-00	Nut, Hex M8.....	3
3	103-1046	Radiator, horiz. Mount	1	40	1-633869	Fan, Pump Cooling	1
4	322-1	5/16-18x1/2 HHC Screw ...	12	41	3256-22	Washer, Flat SAE 1/4	3
5	3256-23	Washer, Flat SAE 5/16.....	14	42	1-809095	Screw,HexScket 1/4-20x1/2	3
6	1-633888-03	Plate, Radiator/Fan Mnt....	1	43	103-0098	Shroud, Hydraulic Fan	1
7	1-803067	Scrw,12-24x1.0HSHWMach4	4	44	3296-2	Nut, Nyloc #10-24	6
8	3256-16	Washer, Flat Std #12.....	8	45	3256-14	Washer, Flat Std #10	12
9	1-804254	Nut, Nyloc HH #12-24.....	4	46	3290-500	Screw, Mach #10-24x5/8 ...	6
10	1-633831	Fan Assy, 12" Hi Profile	1	47	103-0895-03	Shield, LH Liquid	1
11	1-633989	Clamp,Hose-worm .75-1.50	4	48	1-633794-03	Shield, RH Eng Shield.....	1
12	103-0074	Hose, Radiator Inlet	1	49	321-4	Screw, Cap HH 1/4-20x5/8	6
13	103-0075	Hose, Rad. Outlet	1	50	32128-33	Nut, Whizlock 1/4-20.....	6
14	103-1557	Muffler,kit	1	51	33115-020	Screw, M10-1.5x20mm	2
16	98-5975	Wshr, Disc Sprg 3/8	6	52	103-1364	Clutch w/tie	1
17	33013-00	Nut, Hex M6	4	53	1-303335	Tie, plastic.....	1
18	1-805004	Washer, Lock 1/4 Hvy	4	54	3256-3	Washer, 5/16 std.....	1
19	93-2195	Element, filter Primary	1	55	1-613235	Washer	4
20	95-5806	Bracket, air cleaner mount	1	56	1-633543-03	Strap, Clutch/Brake.....	1
21	322-6	Screw, Cap 5/16-18x1-1/4	3	57	1-633545	Spacer, Grommet	2
22	3296-29	Nut, Nyloc 5/16-18	3	58	1-633630	Grommet.....	2
23	3256-3	Washer, Flat Std 5/16.....	4	59	322-38	Screw, Cap HH 5/16-18x4.5	1
24	95-5805	Cleaner, remote air w/filter	1	60	1-643008	Spacer, Clutch Anchor	1
25	1-643009	Clamp, Hose 1.31-2.25.....	2	61	33115-025	Screw, M10-1.5x25mm	4
26	1-643084	Hose, Air inlet	1	62	1-603610	Washer, disc spring 7/16 ...	2
27	32128-20	Nut, Whzlk 5/16-18	1	63	33115-035	Screw, Cap M10x1.5x35mm	1
28	1-643164	Cap, Overflow Tank	1	64	94-3652	Cover w/latch	1
29	1-643163	Tank, Overflow (2.0 pts) ...	1	65	1-643283	Latch, Air cleaner	2
30	1-643131	Hose, .25 ID x 22.00"	1	66	87-9400	Vacuator Valve.....	1
31	1-643259	Elbow, 90deg	1	67	103-0114	Spacer, Clutch	1
32	1-513645	Bushing, Fuel Valve	1	68	103-0152	Keeper, Clutch	1
33	1-643024-03	Bracket, Bottle	1	69▽	103-0161	Valve, Oil Drain	1
34	321-2	Screw, Cap Hex 1/4-20x1/2	2	70	103-1564	Gasket, Exhaust	2
35	1-303287	Plastic Tie 5.5x.044x.1	3	71	103-1511	Arrester, Spark (1.50)	1
36	1-643129	Hose, .31 ID x 27.00"	1	72	103-1512	Clamp, Muffler (1.63).....	1
37	1-633851	Extension, Crankshaft.....	1	73	103-0113	Clip, loom	1

Replacement Engine Oil Filter - **Kawasaki** Part No. 49065-2078

Exmark black touch up spray paint – gloss black

▽ Use a Teflon Pipe Sealant or equivalent on threads.

KAWASAKI LIQUID-COOLED ENGINE DECK GROUP



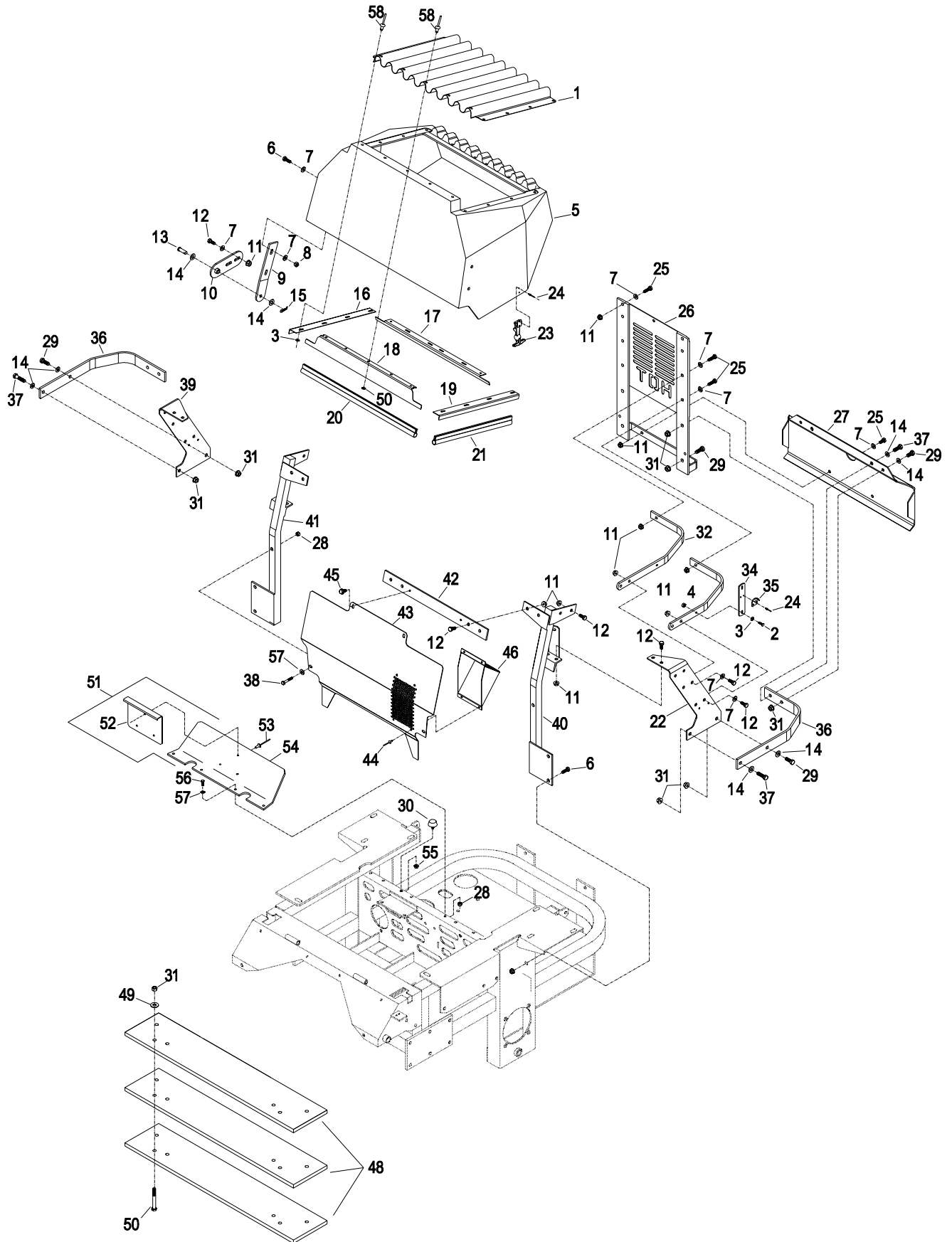
KAWASAKI LIQUID-COOLED ENGINE DECK GROUP (cont.)

Ref. No.	Part No.	Description	Qty. Req'd.	Ref. No.	Part No.	Description	Qty. Req'd.
1	1-633864-03	Screen, Radiator Intake	1	31	3290-357	Nut, Whizlock 3/8-16	14
2	1-803069	Screw, 10-24X.75 BHSCap	4	32	1-633897-03	Rib, Top	2
3	3256-14	Washer, Flat Std #10	16	33	1-633898-03	Rib, Bottom	2
4	3296-2	Nut, Nyloc #10-24	4	34	1-633877-03	Bar, Latch Hook	2
5	1-633857	Hood, Engine Gray	1	35	1-643189	Keeper, Rubber Latch	2
★	103-1044	Hood, w/decals	1	36	1-633896-03	Bar, Rad. Mnt. Frame	2
6	322-4	Screw, Cap HH 5/16-18x7/8	8	37	323-7	Screw, Cap HH 3/8-16x1-1/44	
7	3256-23	Washer, Flat SAE 5/16	21	38	323-9	Screw, Cap HH 1/4-20x1 1/22	
8	3296-29	Nut, Nyloc 5/16-18	4	39	103-0897-03	Plate, Side Rad. Mnt. RH .	1
9	1-633885-03	Plate, Hood Hinge	2	40	103-0107-03	Brace, Radiator-LH	1
10	1-632986-03	Hinge, Shackle wld	2	41	1-632985-03	Brace, Radiator-RH	1
11	32128-20	Nut, Whizlock 5/16-18	37	42	1-633878-03	Crossbar	1
12	322-3	Screw, Cap 5/16-18x3/4 ...	24	43	1-643087-03	Deflector, Air	1
13	1-808285	Pin, Clevis 3/8x1 1/8	2	44	3269-3	Pop Rivet- Stl 3/16x.250...	4
14	3256-24	Washer, Flat SAE 3/8	12	45	49-2040	Screw, Tapping 1/4-20x.75	2
15	1-806003	Pin, Hair Cotter .080 #2	2	46	103-0110-03	Plenum, Air intake	1
16	1-643106-03	Angle, Rad. Trim Side RH.	1	47	323-14	Screw, 3/8-16x3 (60")	4
17	1-643108-03	Angle, Rad. Trim Bottom ..	1		323-6	Screw, 3/8-16x1 (72")	4
18	1-643107-03	Angle, Rad. Trim Top	1	48	103-2099-01	Weight Bar (60")	3
19	1-643105-03	Angle, Rad. Trim Side LH.	1		103-2333-01	Weight Bar (72")	1
20	1-643187	Seal, Trim - 20" Length.	2	49	98-5975	Washer, 3/8 disc spring....	4
21	1-643186	Seal, Trim - 14" Length	2	50	1-303435	Washer, Spring Disc .25 ..	5
22	103-0896-03	Plate, Side Rad. Mnt. LH ..	1	51	1-634308	Shield, lift - subassembly..	1
23	1-643188	Latch, EPDM Rubber	2	52	1-633300-03	Shield, lift	1
24	923786	Pop Rivet.	8	53	1-803035	Rivet, Alum. 3/16x1/4	3
25	322-5	Screw, Cap 5/16-18x1	9	54	103-1308	Shield, engine	1
26	1-632873-03	Radiator Mount weld-rear .	1	55	32128-33	Nut, Whizlock 1/4-20	2
27	1-633886-03	Bumper, Rear	1	56	321-4	Screw, 1/4-20x3/4	4
28	3296-42	Nut, Nyloc 1/4-20	6	57	3256-2	Washer, 1/4 std	6
29	323-6	Screw, Cap Hex 3/8-16x1 .	6	58	1-803072	Rivet, Bulbex .19 x1.07	17
30	1-523420	Bumper, rubber	2				

Exmark black touch up spray paint – gloss black

★ Hood only comes with black logo decal, side decals need to be ordered separately.

KAWASAKI LIQUID-COOLED ENGINE DECK GROUP (cont.)



HYDRAULIC GROUP

Ref. No.	Part No.	Description	Qty. Req'd.	Ref. No.	Part No.	Description	Qty. Req'd.
1	103-1947	Asm,reservoir w/decal.....	1	24	1-523328	Motor,wheel drive.....	2
	103-1946	Asm,hydraulic reservoir.....	1	25	103-1764	Hose,upper RH (52 & 60) ...	1
2	103-1948	Cap,hydraulic reservoir	1	26	103-1765	Hose,lower RH (52 & 60)....	1
3	103-1949	Gasket,reservoir cap.....	1	27	1-633568	Sheave,pump.....	2
4	104-7836	Head,filter	1	28◇	1-803022	Setscrew,sq hd 5/16-18x5/8 .	2
5	1-513211	Element,hydraulic oil filter	1	29◇	30-1710	Setscrew,sq hd cup 5/16-18x1	2
◆	1-523541	Element,hydraulic filter (winter)	1	30◇	1-803050	Setscrew,sq hd cp 5/16-18x3/4	2
6	103-1988	Clamp,hose (11/16).....	4	31	1-807272	Key,5mmx5mmx25mm.....	2
7	103-1716	Clamp,hose (17/32).....	3	32□	1-603991	Adapter,strt -8jic/-10 mstor .	4
8	103-1826	Asm,hose hydraulic.....	1		1-603919	Boss O-ring.....	1
9	103-1827	Asm,hose hydraulic.....	1		1-603992	Flare O-ring.....	1
10	103-1808	Hose,hydraulic.....	1	*	1-633786	Elbow,90° long-8jic/-10mstor	4
11	103-1806	Asm,case drain hose.....	1		1-603919	Boss O-ring.....	1
12	103-1807	Elbow,45°	1		1-603992	Flare O-ring.....	1
	1-603921	Boss O-ring		33	1-633167	Pulley,idler w/bushings.....	1
13	103-1828	Adapter,run tee	1	34	1-634277	Arm,w/bearing.....	1
	1-603921	Boss O-ring		35	323-9	Screw,cap hh 3/8-16x1 3/4 .	1
14	103-1801	Adapter,straight.....	1	36	3256-3	Washer,flat std 5/16.....	1
	1-603921	Boss O-ring		37	3290-357	Nut,whizlock 3/8-16.....	8
15	103-1912	Adapter,straight.....	1	38	1-603384	Bushing,idler pivot.....	1
	1-603921	Boss O-ring		39	1-632201-03	Arm,pump idler	1
16	103-1799	Elbow,90°	2	40	1-633567	Sheave,engine	1
	1-603921	Boss O-ring		41	1-633569	Belt,pump drive.....	1
17	321-3	Screw,1/4-20 x 5/8	2	42	323-8	Screw,3/8-16x1 1/2	1
18	1-805004	Lockwasher,1/4.....	2	43	1-800805	Screw,3/8-16x3 1/2.....	1
19	103-1802	Elbow,90°	2	44	323-7	Screw,3/8-16 x 1	4
	1-603921	Boss O-ring		45	3256-4	Washer,3/8 std	1
20	103-1943	Pump,hydraulic.....	2	46	13-2840	Key, 1/4 x 1/4 x 1/4	1
21	1-603990	Connector,straight.....	4	47	302-40	Zerk,90° 1/4-28.....	1
	1-603920	O-Ring (Sae #8)	1	48	1-513034	Bearing,pivot.....	2
	1-603992	O-Ring (37° flare #8).....	1	49	1-633151	Spring,extension	1
22	103-1682	Hose,upper LH (52 & 60)	1	50	321-6	Screw,HHC 1/4-20 x 1	2
	1-633776	Hose,upper (72)	2	51	3256-22	Washer,SAE 1/4	2
23	103-1683	Hose,lower LH (52 & 60).....	1	52	32128-33	Nut,whizlock 1/4-20.....	2
	103-1863	Hose,lower (72).....	2				

◇ Use Pro-Lock, Nut Type (P/N 1-840022, 5 ml tube) on setscrews.

Exmark black touch up spray paint - gloss black

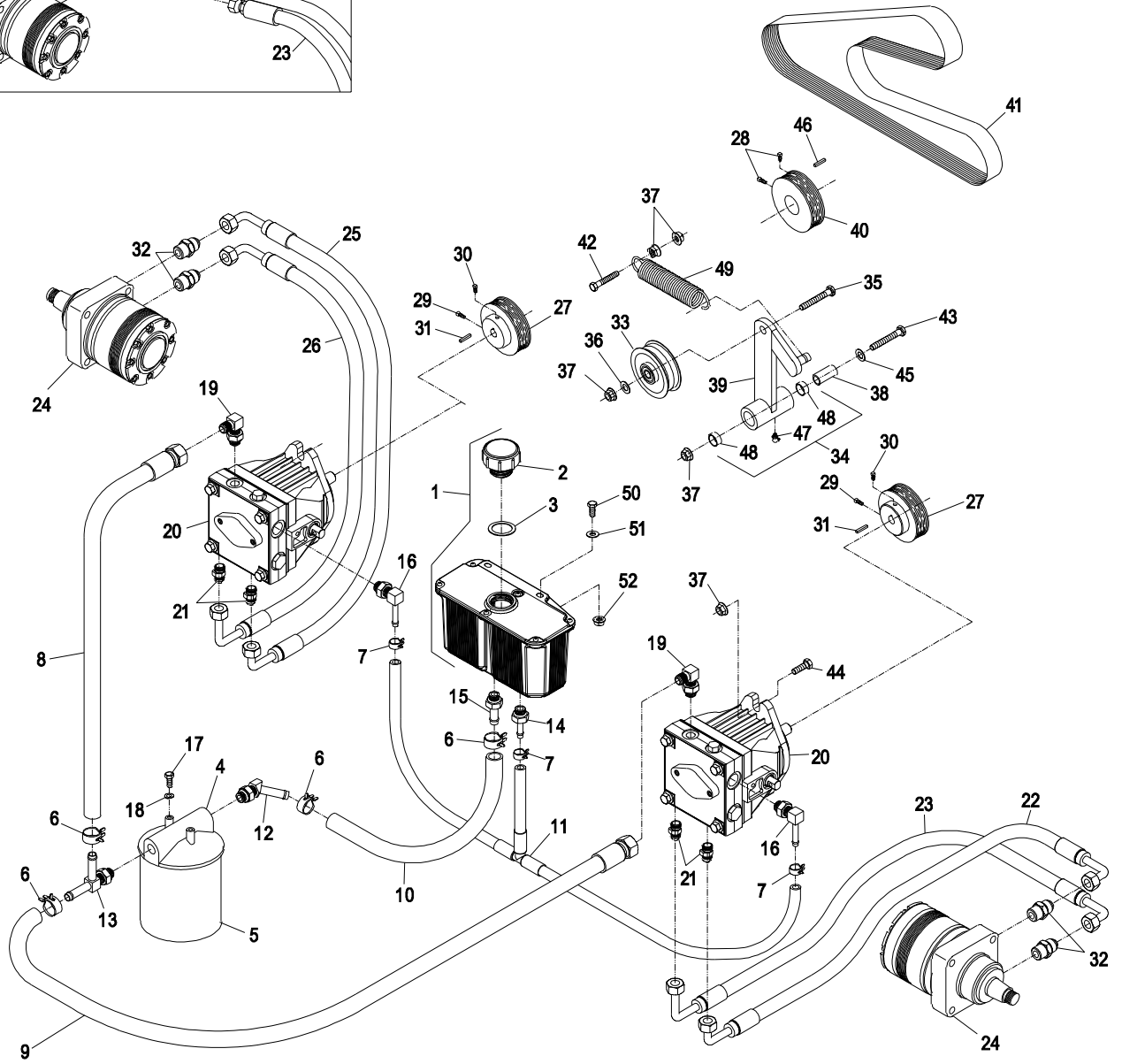
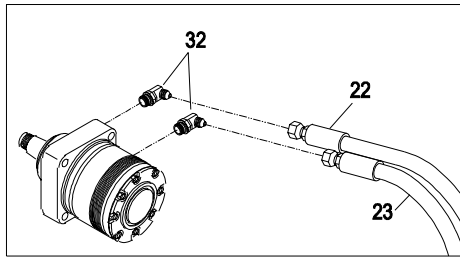
◆ Use only for operation below 32°F (0°C)

□ 52" and 60" only

* 72" only

HYDRAULIC GROUP

72" ONLY



DECAL GROUP

Ref. No.	Part No.	Description	Qty. Req'd.	Ref. No.	Part No.	Description	Qty. Req'd.
1	103-1971	Decal, Console 1	1	22	98-5954	Decal, Missing Cover	2
2	103-1980	Decal, Console 2	1	23☆	103-2076	Decal, Hot Surface	2
3	1-633706	Decal, Deck Height	1	24	1-643339	Decal, Pump Belt Rtg	1
4	1-633702	Decal, Check Service	1	25☆	103-1141	Decal, Hood LH	1
5	1-633462	Decal, Important	1	26☆	103-1142	Decal, Hood RH	1
6	1-403005	Decal, Danger.....	2	27●	1-643288	Decal, Fuse/Relay	1
7	1-323540	Decal, Roller Mounting	1	28	103-1077	Decal, Bolt Torque.....	1
8♦	103-1983	Decal, Exmark logo	1	29☆	1-643253	Decal, Radiator Fan	1
●	103-1984	Decal, Exmark logo	1	30	1-633313	Decal, Warning.....	1
9	1-303293	Decal, 2 Minute Cool	2	31	1-523552	Decal, Hyd Tank/Hot Surface	1
10	1-643401	Decal, Mercury Switch.....	1	32●	103-0261	Decal, Fuel Valve	1
11	1-643222	Decal, Belt Routing.....	1	33	1-513748	Decal, Guard	1
12	103-1146	Decal, Ultracut 60	1	34	103-0368	Decal, Rotating Devices	1
13♦	103-0262	Decal, Fuel Valve.....	1	35☆	1-643104	Decal, L.C. Lazer Swash	1
14●	1-643397	Decal, EPS	1	36	103-2433	Decal, Top Console.....	1
15	1-513742	Decal, No Step	2	37☆	103-0223	Decal, Havoline Coolant (60")	1
16	103-1145	Decal, Ultracut 52	1	38	1-633345	Decal, Deck Height.....	1
17	1-633922	Decal, Anti-Scalp	1		103-0371	Decal Kit-Air-Cooled (including EFI)	
18**	1-633350	Decal, Lazer Swash.....	1		103-0370	Decal Kit-Kaw Liquid-Cooled	
19	103-1147	Decal, Ultracut 72	1				
20☆	103-1027	Decal, Relay	1				
21	1-303508	Decal, Discharge Warning ...	1				

- ** Decal for Air-Cooled units only.
- ♦ Decal for all units except 26 HP EFI Kohler.
- Decals for 26 HP EFI Kohler units only.
- ☆ Decal for Kawasaki Liquid-Cooled units only.

DECAL GROUP

1 RELEASE
PARK BRAKE
ENGINE

2 DANGER
Thrown objects or blades contact can cause serious injury or death.
Keep all people and pets out of area when mowing.
Avoid slopes unless blades and engine are stopped.
Heating protection recommended.

3 CUTTING HEIGHT

4 CHECK/SERVICE REFERENCE AID
GREASE LUBE POINTS AT INTERVALS SHOWN.
CHECK HYDRAULIC FLUID AT INTERVAL SHOWN.
SEE ENGINE OPERATORS MANUAL FOR SERVICING ENGINE.
CHECK TIRE PRESSURE - 13 PSI AT INTERVAL SHOWN.
SEE OPERATORS MANUAL FOR ADDITIONAL DETAILS.

5 IMPORTANT: BEFORE STARTING ENGINE CLEAN GRASS FROM PUMP DRIVE BELT COVER WEARSHIELD. CHECK MORE OFTEN IN DRY CONDITIONS.

6 DANGER
KEEP HANDS AND FEET AWAY

7 FISH HANE
1. BALLER
2. SPIND WASHER
3. 3/8" X 1/2" LOCK WASHER
4. 1/2" X 1/2" LOCK WASHER
5. MUST BE GROVED
6. BOLT AND NUT MUST BE INSTALLED AND TIGHTENED TO ORIGINAL TORQUE NUT TO 55-65 LBS.

8 exmark

9 CAUTION
ALWAYS WEAR YOUR SAFETY BELT AND SEATBELT

10 IMPORTANT: WEAR SAFETY BELT FOR BEHIND DRIVE SHAFTS.

11 BELT ROUTING
BLADE BELT: 48" X 22" X 1/4"
ROCKER BELT: 48" X 22" X 1/4"

12 UltraCut 60

13 EPS

14 NO STEP

15 UltraCut 52

16 ANTI-SCALP ROLLER ADJUSTMENT
FOR NORMAL OPERATING CONDITIONS, PLACE COLLAR IN POSITION SHOWN FOR 3/8" (9.5) GRASS CLEARANCE.
CUTTING HEIGHT (inches)
FEET: MAXIMUM FEET (INCHES) MAY BE POSITIONED ABOVE COLLAR (WITHIN A MINIMUM OF 4" GRASS CLEARANCE). NEVER POSITION THE ROLLER TO SUPPORT THE MOWER COIL.

17 UltraCut 72

18 exmark LAZER

19 27 HP
LIQUID-COOLED

20 KILL RELAY
START RELAY
FAN RELAY

21 DANGER
DO NOT OPERATE WITHOUT DISCHARGE DEFLECTOR OR ENTIRE GRASS COLLECTION SYSTEM IN PLACE. DO NOT REMOVE GRASS CATCHER UNTIL BLADES HAVE STOPPED.

22 DANGER
DO NOT OPERATE WITHOUT DISCHARGE DEFLECTOR OR ENTIRE GRASS COLLECTION SYSTEM IN PLACE.

23 CAUTION
HOT

24 PUMP BELT ROUTING

25 27 HP
LIQUID-COOLED

26 27 HP
LIQUID-COOLED

27 CAUTION
Loose or Damaged Blade Bolt may allow blade to come out from under deck at HIGH SPEED.
Replace Blade Bolt after rotating a foreign object.
Torque Blade Bolt to 115-120 FT LBS (155-163 Nm). SEE OPERATOR'S MANUAL.

28 CAUTION
DO NOT OPERATE WITHOUT GUARD IN PLACE.

29 CAUTION
ROTATING BLADES STOP BEFORE SERVICE.

30 WARNING
DISCHARGE BLADE COLLAR. SHUT OFF ENGINE AND REMOVE KEY BEFORE MAKING ADJUSTMENTS, REPAIRS OR CLEANING DECK.

31 HYDRAULIC OIL LEVEL
MODEL 1 (SEE OPERATOR'S MANUAL FOR ENGINE OIL REL TO TOP OF WALKER)
CAUTION
HOT

32 5.0
4.5
4.0
3.5
3.0
2.5
2.0
1.5

33 MOTOR CONTROL
N
R

34 exmark LAZER LIQUID COOLED

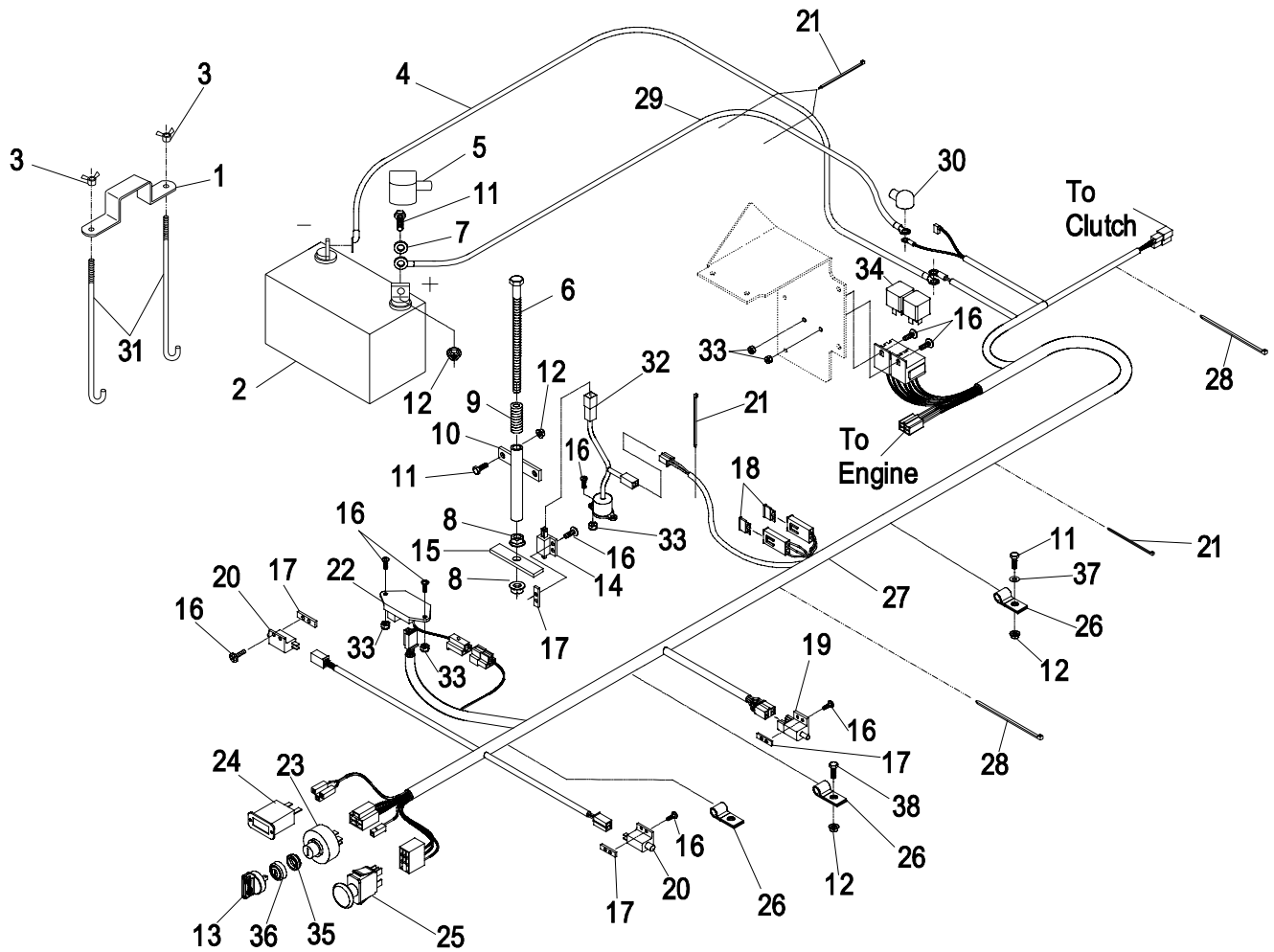
35 exmark LAZER LIQUID COOLED

36 CAUTION
BATTERY IS A LIQUID BATTERY AND CAN CAUSE BURNS.
Always attempt to open or repair with care.
Read operator's manual for disposal and use.

37 BATTERY RELEASE
N
R
One (1) use combination to release. Do not over-tighten.

38 This cutting system is provided by:
Husqvarna® Extended Life
Anti-Freeze/Protectant (ECP) 5000.
The use of any other brand of product may void the warranty.
© Husqvarna Corporation 2014.
Husqvarna® Extended Life Anti-Freeze/Protectant (ECP) 5000.
Another Product Innovation From:
EXMARK

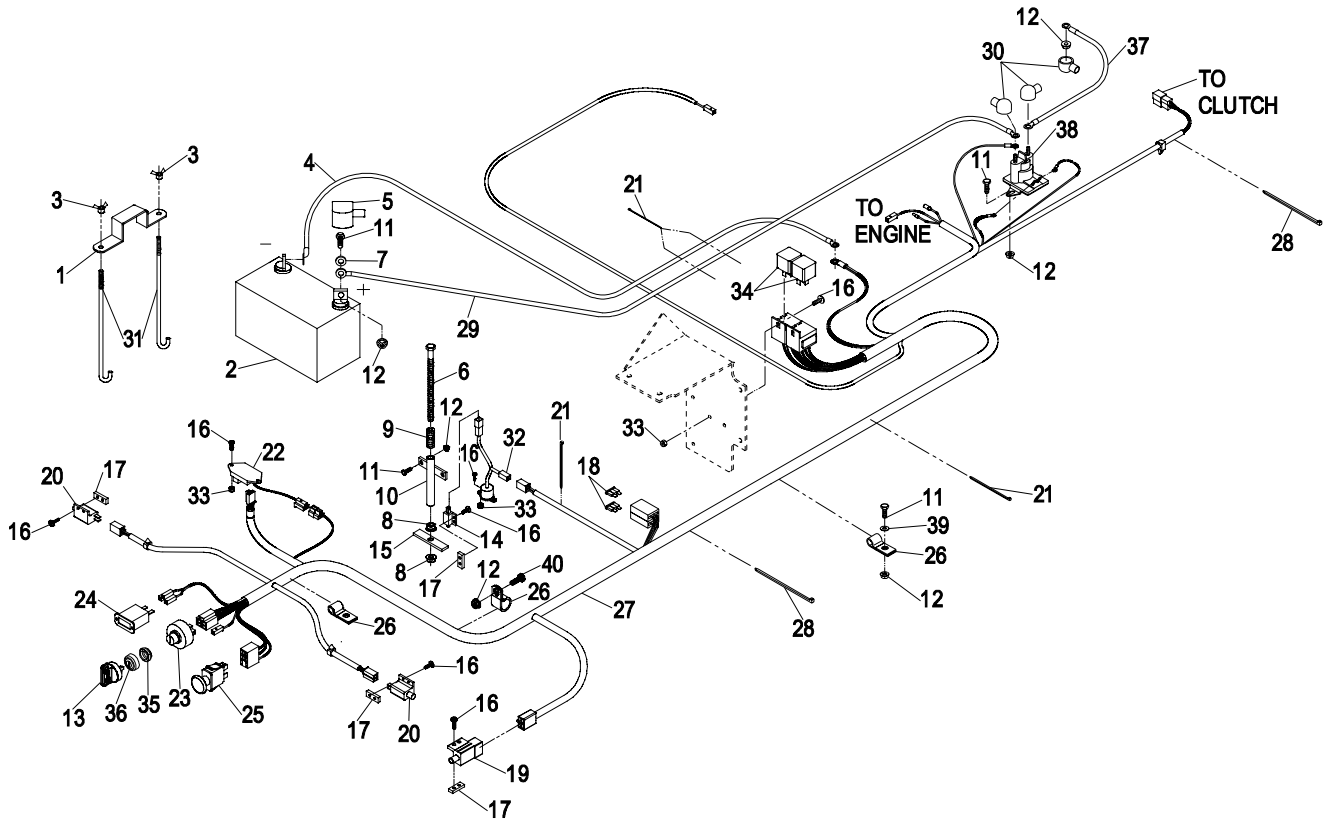
KOHLER 20, 23 & 25 HP AIR-COOLED ELECTRICAL GROUP



Ref. No.	Part No.	Description	Qty. Req'd.	Ref. No.	Part No.	Description	Qty. Req'd.
1	1-633652	Hold down-battery	1	20	1-513051	Switch-drive lever N.O.	2
2	103-0293	Battery-12V	1	21	1-303287	Plastic tie (small).....	5
3	1-543792	Wingnut, nyloc.....	2	22	100-6186	Module-seat delay.....	1
4	1-633307	Cable-battery (-) 40".....	1	23	103-0206	Switch-ignition w/ keys.....	1
5	1-543391	Insulator-battery	1	24	1-513374	Meter-engine hours.....	1
6	1-800282	Screw, 5/16-18x7	1	25	1-633673	Switch	1
7	3256-2	Washer, 1/4 flat.....	2	26	1-633396	Clip-Loom .69	3
8	32128-20	Nut, 5/16-18 whizlock.....	2	27◇	103-0294	Harness-wiring.....	1
9	1-523415	Spring-seat switch.....	1	28	1-303335	Plastic tie (large)	2
10	1-522424	Spring mount wldmt	1	29	1-523281	Cable-battery (+) 30".....	1
11	321-4	Screw, 1/4-20x3/4	5	30	1-543393	Insulator, solenoid (+)	1
12	32128-33	Nut, 1/4-20 whizlock.....	6	31	1-633651	Bolt, battery hold down	2
13	103-2106	Key, Exmark logo	1	32	1-633782	Switch, tilt.....	1
	1-603511	Key, ignition.....	1	33	3296-2	Nut, #10-24 Hex Nyloc.....	6
14	1-513152	Switch- seat N.C.	1	34	1-643275	Relay, 12V	2
15	1-513180	Actuator, seat switch	1	35	103-0498	Nut, Ignition.....	1
16	3290-500	Screw, #10-24x5/8	14	36	103-0499	Seal, Ignition	1
17	1-633181	Plate, tapped	4	37	3256-22	Washer, 1/4 SAE	1
18	1-816001	Fuse-20 amp.....	2	38	321-2	Screw, 1/4-20 x 1/2.....	1
19	1-633111	Switch-brake N.O/N.C.....	1				

◇ Use dielectric grease on all wiring harness connectors.

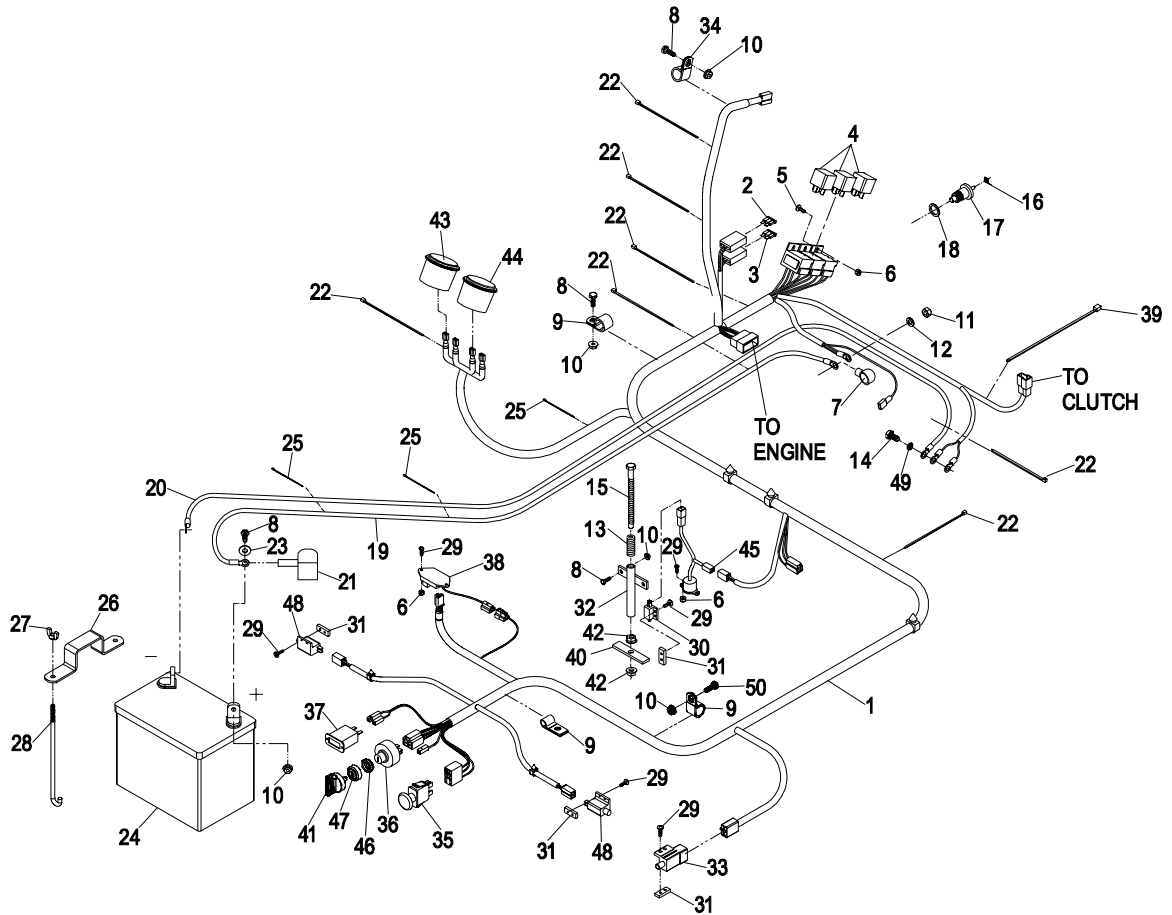
KAWASAKI 25 HP AIR-COOLED ELECTRICAL GROUP



Ref. No.	Part No.	Description	Qty. Req'd.	Ref. No.	Part No.	Description	Qty. Req'd.
1	1-633652	Hold down-battery	1	21	1-303287	Plastic tie (small).....	5
2	103-0293	Battery-12V	1	22	100-6186	Module-seat delay.....	1
3	1-543792	Wingnut, nyloc.....	2	23	103-0206	Switch-ignition w/ keys.....	1
4	1-633307	Cable-battery (-) 40".....	1	24	1-513374	Meter-engine hours.....	1
5	1-543391	Insulator-battery	1	25	1-633673	Switch	1
6	1-800282	Screw, 5/16-18x7	1	26	1-633396	Clip-Loom .69	3
7	3256-2	Washer, 1/4 flat.....	2	27◇	103-0732	Harness-wiring	1
8	32128-20	Nut, 5/16-18 whizlock.....	2	28	1-303335	Plastic tie (large)	2
9	1-523415	Spring-seat switch.....	1	29	1-523281	Cable-battery (+) 30".....	1
10	1-522424	Spring mount wldmt	1	30	1-543393	Insulator, solenoid (+)	3
11	321-4	Screw, 1/4-20x3/4	7	31	1-633651	Bolt, battery hold down	2
12	32128-33	Nut, 1/4-20 whizlock.....	9	32	1-633782	Switch, tilt.....	1
13	103-2106	Key, Exmark logo	1	33	3296-2	Nut, #10-24 Hex Nyloc.....	6
	1-603511	Key, ignition.....	1	34	1-643275	Relay, 12V	2
14	1-513152	Switch- seat N.C.	1	35	103-0498	Nut, Ignition.....	1
15	1-513180	Actuator, seat switch	1	36	103-0499	Seal, Ignition	1
16	3290-500	Screw, #10-24x5/8	14	37	1-633306	Wire, starter solenoid.....	1
17	1-633181	Plate, tapped	4	38	1-513075	Switch, 12V solenoid.....	1
18	1-816001	Fuse-20 amp	2	39	3256-22	Washer, 1/4 SAE	1
19	1-633111	Switch-brake N.O./N.C.	1	40	321-2	Screw, 1/4-20 x 1/2.....	1
20	1-513051	Switch-drive lever N.O.	2				

◇ Use dielectric grease on all wiring harness connectors.

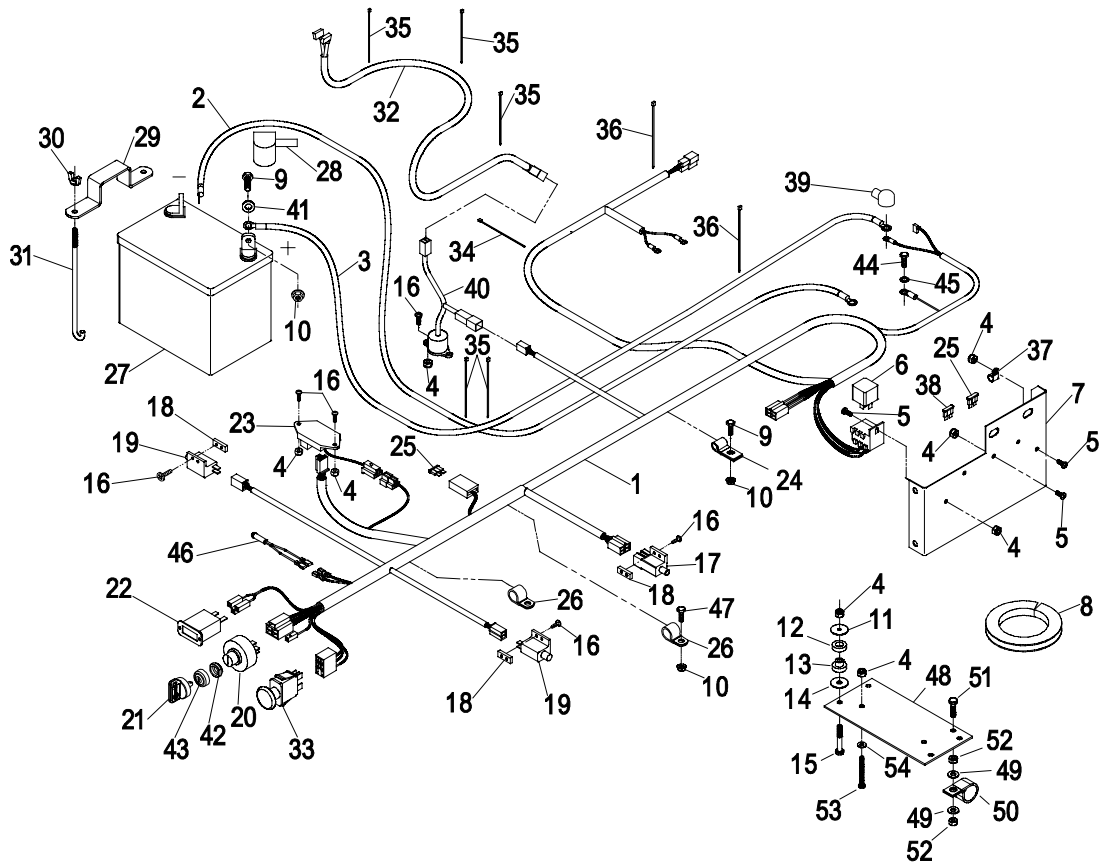
KAWASAKI 27 HP LIQUID-COOLED ELECTRICAL GROUP



Ref. No.	Part No.	Description	Qty. Req'd.	Ref. No.	Part No.	Description	Qty. Req'd.
1◇	103-0883	Harness-wiring.....	1	27	1-543792	Wingnut, nyloc.....	2
2	1-816001	Fuse-20 amp	1	28	1-633651	Bolt, battery holddown	2
3	1-816003	Fuse-30 amp	1	29	3290-500	Screw, #10-24x5/8	12
4	1-643275	Relay, 12V	3	30	1-513152	Switch- seat N.C.....	1
5	1-803071	Screw, machine #10-24x½	2	31	1-633181	Plate- tapped	4
6	3296-2	Nut, nyloc #10-24	6	32	1-522424	Spring mount wldmt.....	1
7	1-543393	Insulator, solenoid +	1	33	1-633111	Switch-brake N.O./N.C.	1
8	321-4	Screw, 1/4-20x3/4.....	6	34	1-513762	Clip-loom .50	1
9	1-633396	Clip- loom .69.....	3	35	1-633673	Switch.....	1
10	32128-33	Nut, 1/4-20 whizlock	7	36	103-0206	Switch-ignition w/ keys	1
11	33014-00	Nut, hex M8-1.25	1	37	1-513374	Meter- engine hours	1
12	3256-23	Washer, 5/16 SAE	1	38	100-6186	Module, seat delay	1
13	1-523415	Spring- seat switch	1	39	1-643115	Plastic tie (large)	1
14	33114-016	Screw, hex M8-1.25x16 ...	1	40	1-513180	Actuator, seat switch	1
15	1-800282	Screw, 5/16-18x7.....	1	41	103-2106	Key, Exmark logo	1
16	1-643145	Tab, #10stud .25 Spade 45°	1	1-603511	Key, ignition	1	
17	103-0283	Sender Unit, Temp	1	42	32128-20	Nut, 5/16-18 whizlock	2
18	1-643153	Washer, Alum. Sender gskt	1	43	1-643037	Gauge, Voltmeter	1
19	1-523279	Cable- battery (+).....	1	44	1-643021	Gauge, Temperature.....	1
20	1-633307	Cable-battery (-).....	1	45	1-633782	Switch, tilt	1
21	1-543391	Insulator-battery.....	1	46	103-0498	Nut, Ignition	1
22	1-303335	Plastic tie (medium)	7	47	103-0499	Seal, Ignition.....	1
23	3256-2	Washer, 1/4 flat	2	48	1-513051	Switch, drive lever N.O.	2
24	103-0293	Battery-12V.....	1	49	3256-23	Washer, 5/16 SAE.....	1
25	1-303287	Plastic tie (small)	3	50	321-2	Screw, 1/4-20 x 1/2	1
26	1-633652	Holdown-battery.....	1				

◇ Use dielectric grease on all wiring harness connectors.

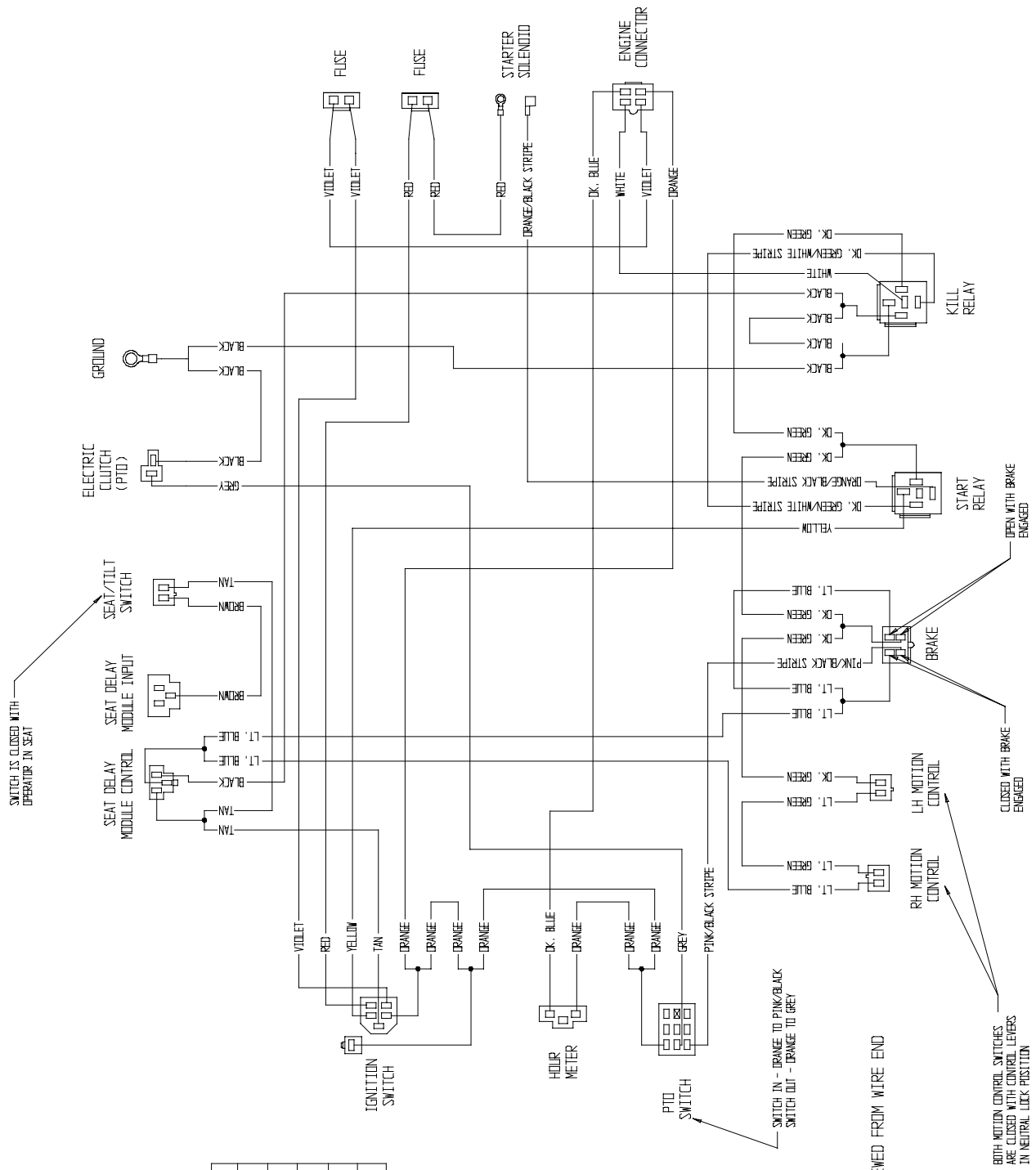
KOHLER 26 HP EFI ELECTRICAL GROUP



Ref. No.	Part No.	Description	Qty. Req'd.	Ref. No.	Part No.	Description	Qty. Req'd.
1◇	103-0263	Harness-wiring	1	28	1-543391	Insulator-battery	1
2	1-633307	Cable-battery (-)	1	29	1-633652	Holdown-battery	1
3	1-523279	Cable- battery (+)	1	30	1-543792	Wingnut, nyloc	2
4	3296-2	Nut, nyloc #10-24	16	31	1-633651	Bolt, battery holddown.....	2
5	1-803071	Screw, machine #10-24x½	6	32	1-633840	Wiring Harness, seat	1
6	1-643275	Relay, 12V	1	33	1-633673	Switch	1
7	1-643257	Panel, fuses/relay	1	34	1-303287	Plastic tie (small).....	1
8	1-643246	Trim-lok, 3/16" x 9.75	1	35	1-303335	Plastic tie (medium)	5
9	321-4	Screw, 1/4-20x3/4	5	36	1-643115	Plastic tie (large)	2
10	32128-33	Nut, 1/4-20 whizlock.....	6	37	1-323229	Clip, loom 3/8	1
11	1-805518	Washer, fender #10 x 1.0...	4	38	1-816002	Fuse, 10 amp	1
12	1-643325	Ring Mount, Vibration	4	39	1-543393	Insulator, solenoid +	1
13	1-643326	Bushing Mount, Vibration ..	4	40	1-633782	Switch, tilt	1
14	1-805519	Washer, Fender 1/4 x 1.0 .	4	41	3256-2	Washer, 1/4 flat	2
15	1-803074	Screw, Shoulder .25 x .75 .	4	42	103-0498	Nut, Ignition	1
16	3290-500	Screw, #10-24x5/8	8	43	103-0499	Seal, Ignition	1
17	1-633111	Switch, N.O./N.C.	1	44	33114-016	Screw, M8-1.25 x 16mm ...	1
18	1-633181	Plate- tapped	3	45	3256-23	Washer, 5/16 SAE	1
19	1-513051	Switch, drive lever N.O.....	2	46	1-643267	Indicator, Red LED	1
20	103-0206	Switch-ignition w/ keys	1	47	321-2	Screw, 1/4-20 1/2	1
21	103-2106	Key, Exmark Logo	1	48	103-0024-03	Plate, ECU Mount	1
	1-603511	Key, ignition	1	49	3256-229	Washer, 1/4 SAE flat	2
22	1-513374	Meter- engine hours	1	50	1-643312	Clip, loom 1.0	1
23	100-6186	Module, seat delay	1	51	321-6	Screw, 1/4-20 x 1	1
24	1-513762	Clip-loom .50	2	52	3296-47	Nut, nyloc 1/4-20	2
25	1-816001	Fuse-20 amp	2	53	32105-20	Screw, Mach #10-24 x 2 ...	2
26	1-633396	Clip- loom .69	2	54	3256-14	Washer, #10	2
27	103-0293	Battery-12V	1				

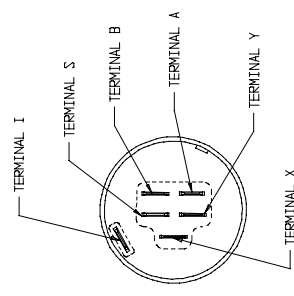
◇ Use dielectric grease on all wiring harness connectors.

KOHLER 20, 23, & 25 HP AIR-COOLED ELECTRICAL DIAGRAM



IGNITION SWITCH

TERMINAL	CONNECTIONS
TERMINAL A	VOLTAGE REGULATOR
TERMINAL B	BATTERY
TERMINAL I	HOUR METER, ENGINE, PTO SWITCH
TERMINAL S	START RELAY
TERMINAL X	SEAT DELAY, TILT SWITCH
TERMINAL Y	HOUR METER, ENGINE, PTO SWITCH

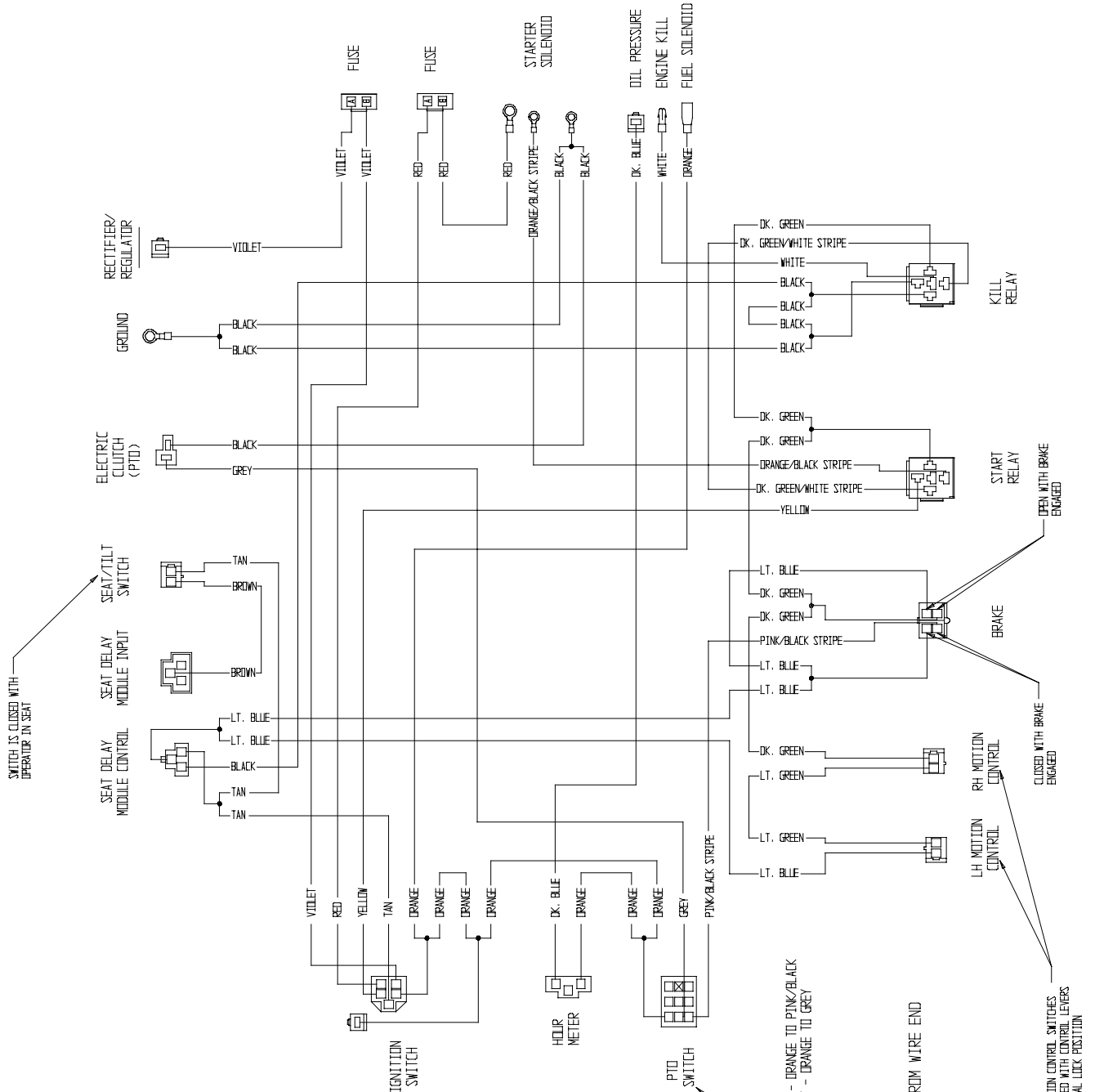


POSITION	CIRCUIT "MAKE"
1. OFF	NONE
2. RUN	B + I + A X + Y
3. START	B + I + S

NOTE:
CONNECTORS VIEWED FROM WIRE END

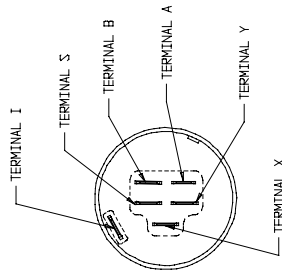
BOTH MOTION CONTROL SWITCHES ARE CLOSED WITH CONTROL LEVERS IN NEUTRAL LOCK POSITION

KAWASAKI 25 HP AIR-COOLED ELECTRICAL DIAGRAM



IGNITION SWITCH

TERMINAL	CONNECTIONS
TERMINAL A	RECTIFIER/REGULATOR
TERMINAL B	BATTERY
TERMINAL I	HOUR METER, FUEL SOLENOID, PTO SWITCH
TERMINAL S	START RELAY
TERMINAL X	SEAT DELAY, TILT SWITCH
TERMINAL Y	HOUR METER, FUEL SOLENOID, PTO SWITCH

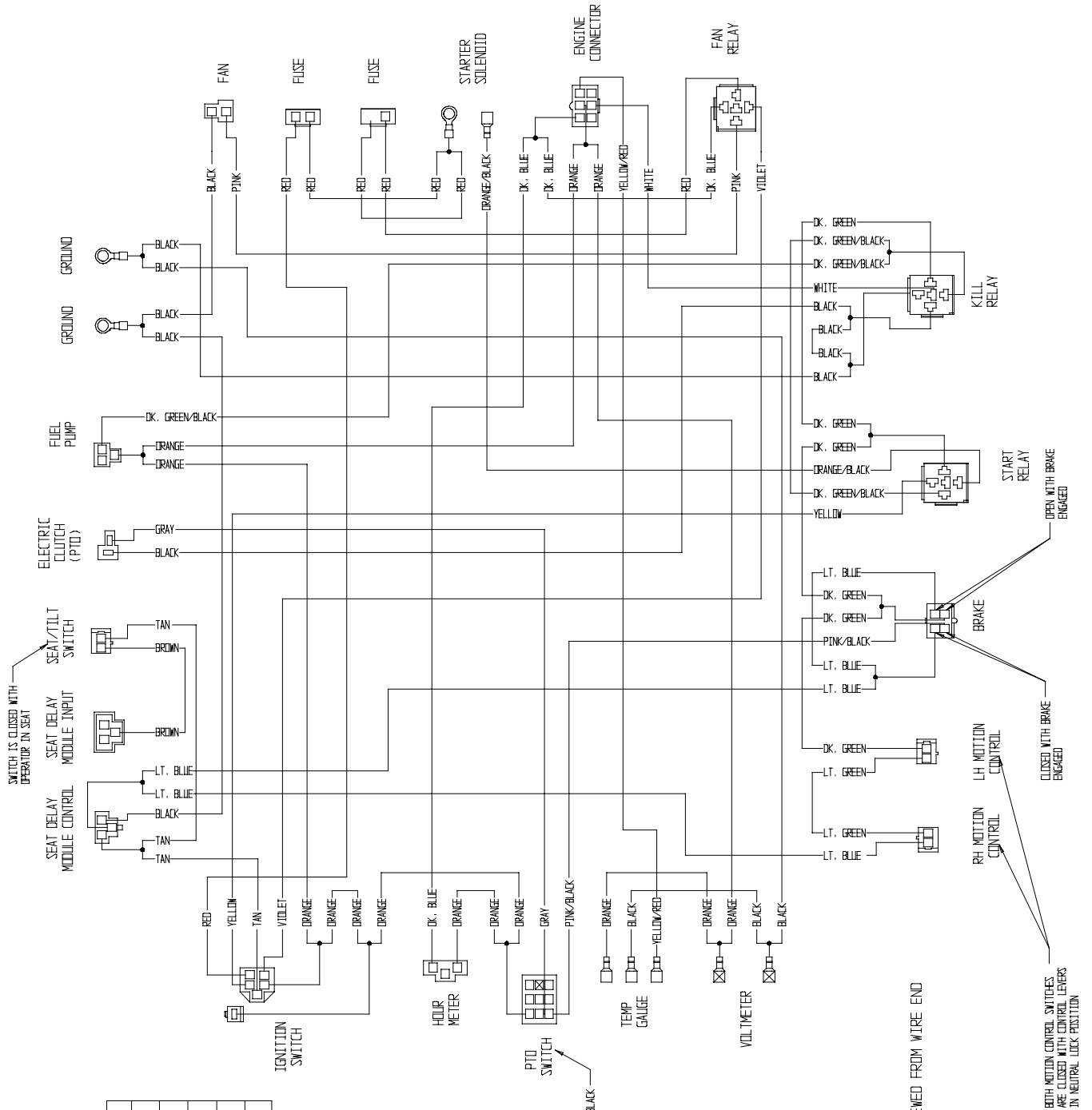


POSITION	CIRCUIT "MAKE"
1. OFF	NONE
2. RUN	B + I + A X + Y
3. START	B + I + S

NOTE:
CONNECTORS VIEWED FROM WIRE END

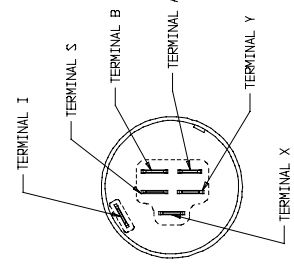
BOTH MOTION CONTROL SWITCHES
ARE CLOSED WITH CONTROL LEVERS
IN NEUTRAL LOCK POSITION

KAWASAKI 27 HP LIQUID-COOLED ELECTRICAL DIAGRAM



IGNITION SWITCH

TERMINAL	CONNECTIONS
TERMINAL A	FAN RELAY
TERMINAL B	BATTERY
TERMINAL I	HOUR METER, ENGINE, PTO SWITCH
TERMINAL S	START RELAY
TERMINAL X	SEAT DELAY, TILT SWITCH
TERMINAL Y	HOUR METER, ENGINE, PTO SWITCH



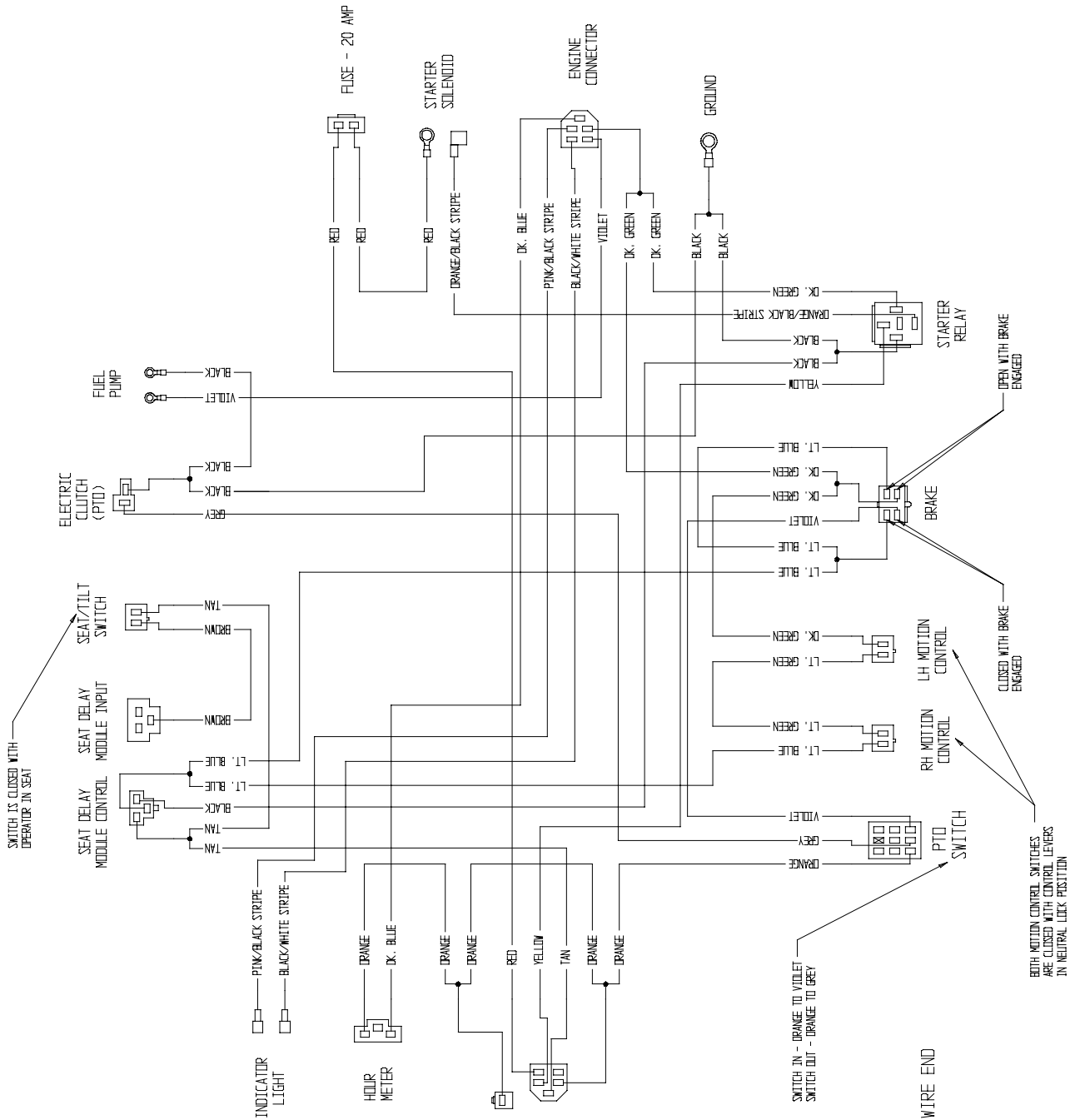
SWITCH IN - ORANGE TO PINK/BLACK
SWITCH OUT - ORANGE TO GREY

POSITION	CIRCUIT "MAKE"
1. OFF	NONE
2. RUN	B + I + A X + Y
3. START	B + I + S

NOTE:
CONNECTORS VIEWED FROM WIRE END

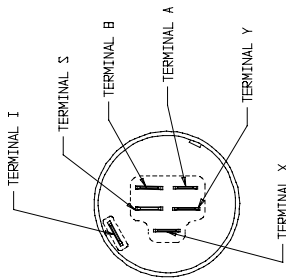
BOTH MOTION CONTROL SWITCHES
ARE CLOSED WITH CONTROL LEVERS
IN NEUTRAL LOCK POSITION

KOHLER 26 HP EFI ELECTRICAL DIAGRAM



IGNITION SWITCH

TERMINAL	CONNECTIONS
TERMINAL A	NOT USED
TERMINAL B	BATTERY
TERMINAL I	HOUR METER, ENGINE, PTO SWITCH
TERMINAL S	START RELAY
TERMINAL X	SEAT DELAY, TILT SWITCH
TERMINAL Y	HOUR METER, PTO SWITCH



POSITION	CIRCUIT "MAKE"
1. OFF	NONE
2. RUN	B + I + A X + Y
3. START	B + I + S

NOTE:
CONNECTORS VIEWED FROM WIRE END

BOTH MOTION CONTROL SWITCHES
ARE CLOSED WITH CONTROL LEVERS
IN NEUTRAL LEAK POSITION

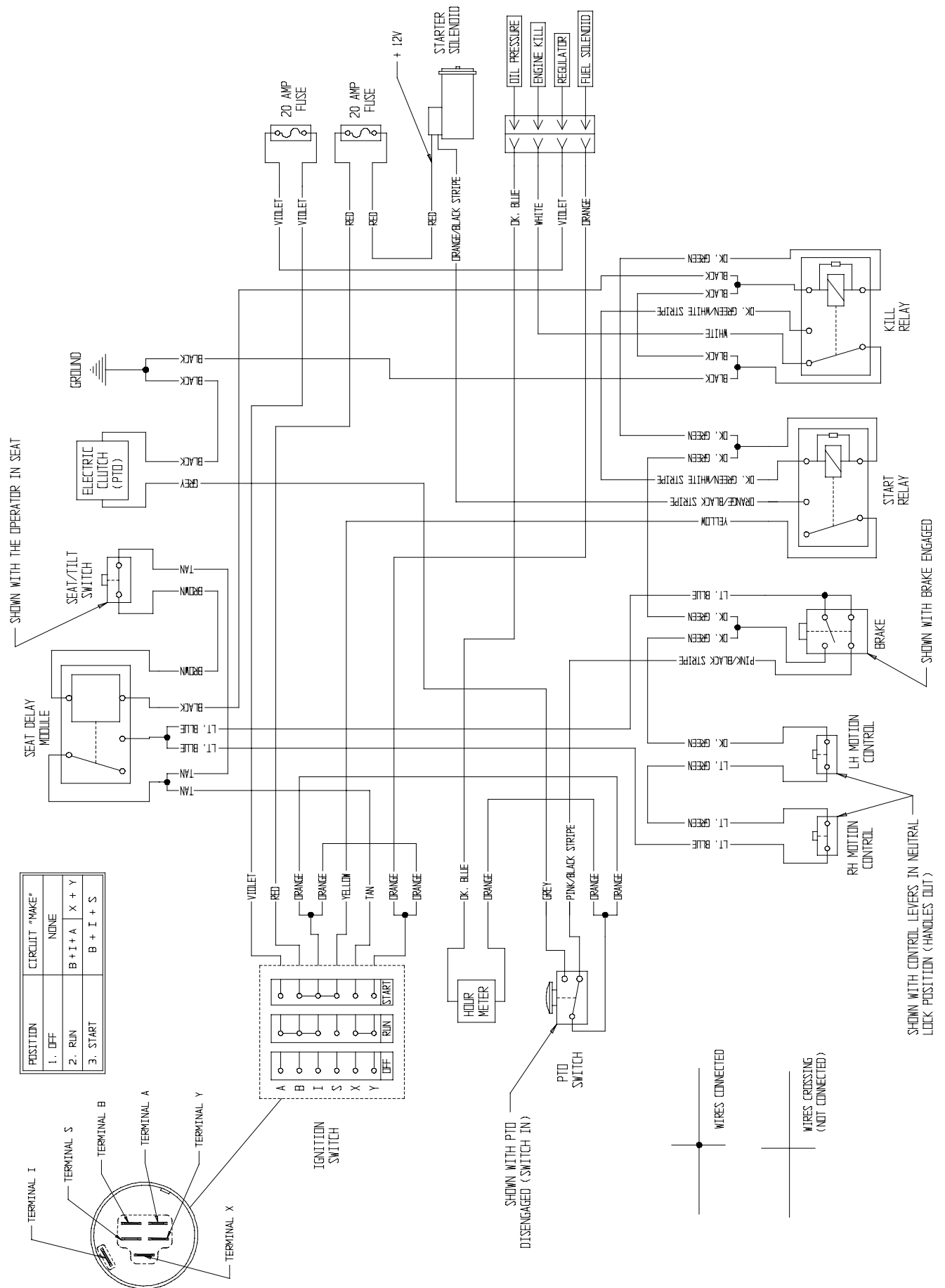
CLOSED WITH BRAKE
ENGAGED

OPEN WITH BRAKE
ENGAGED

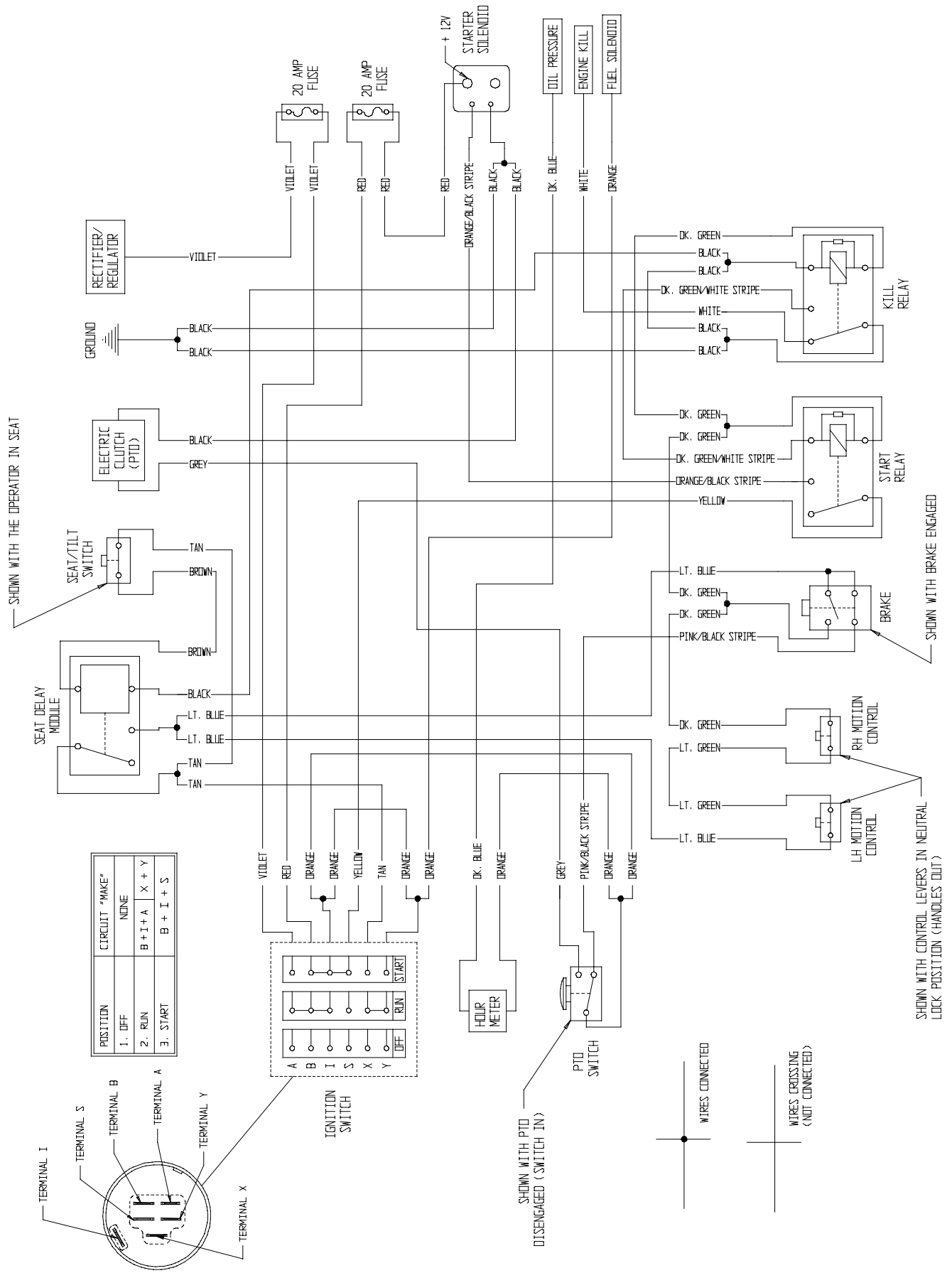
SWITCH IS CLOSED WITH
OPERATOR IN SEAT

SWITCH IN - ORANGE TO VIOLET
SWITCH OUT - ORANGE TO GREY

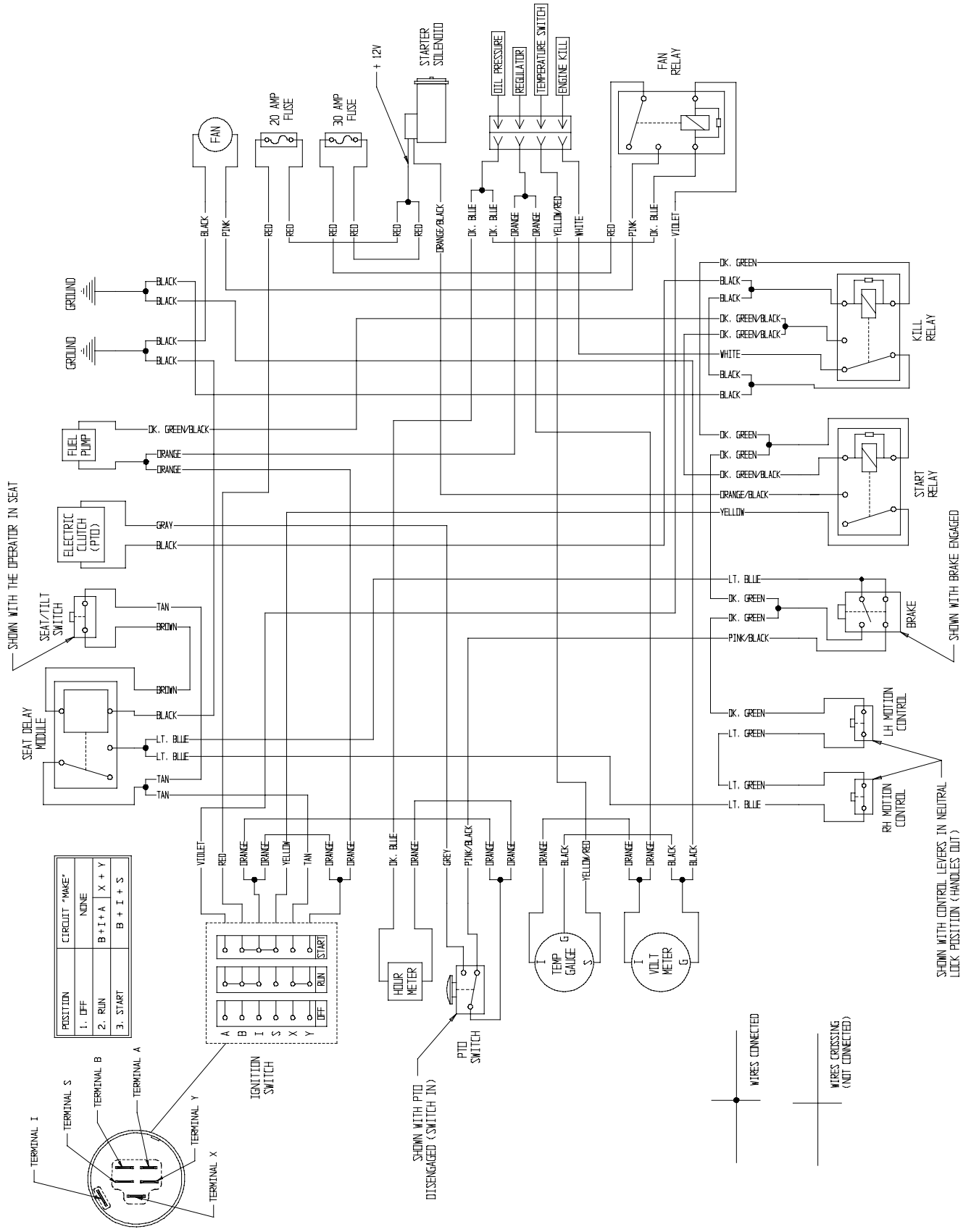
KOHLER 20, 23, & 25 HP AIR-COOLED ELECTRICAL LOGIC SCHEMATIC



KAWASAKI 25 HP AIR-COOLED ELECTRICAL LOGIC SCHEMATIC

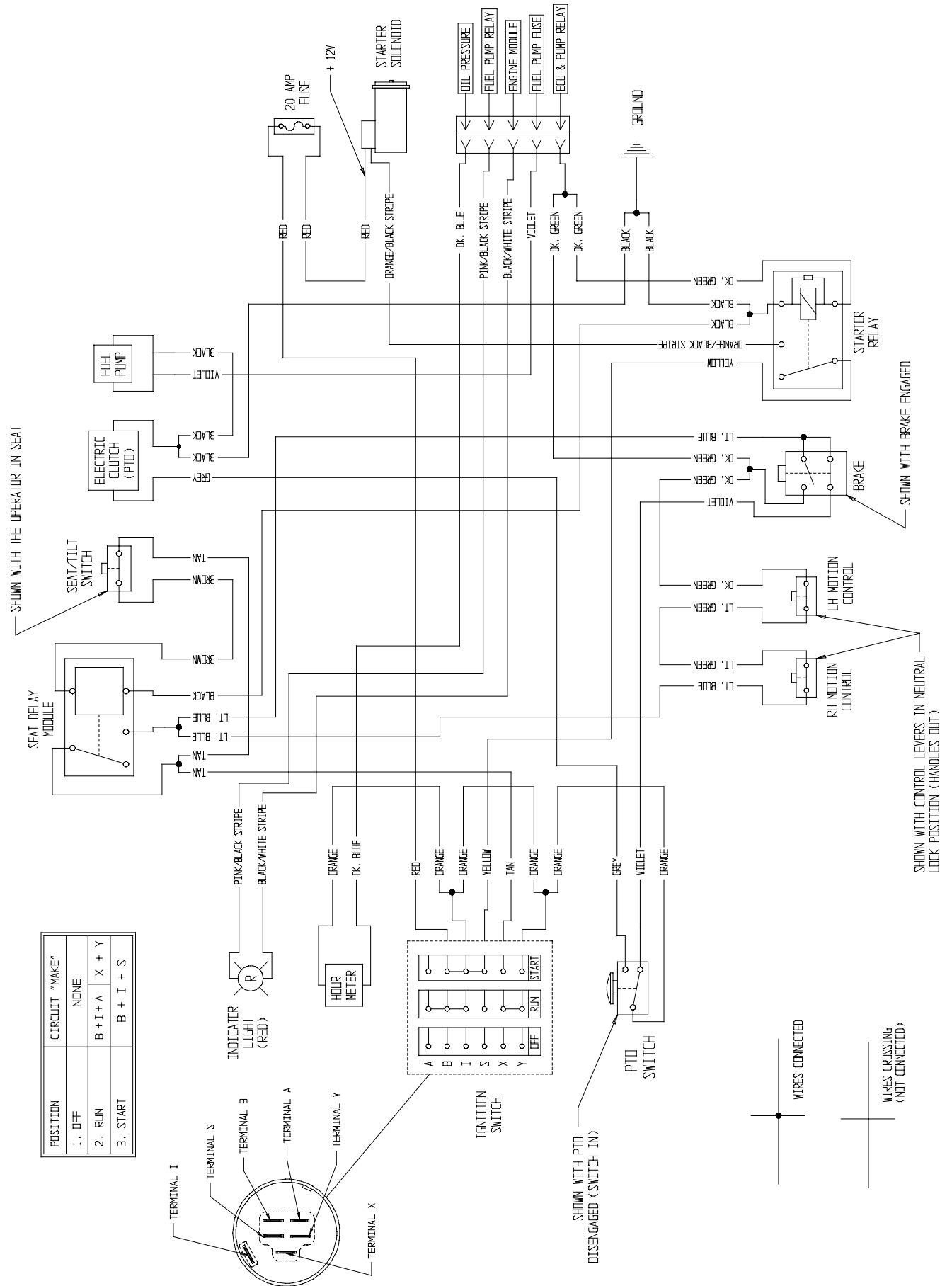


KAWASAKI 27 HP LIQUID-COOLED ELECTRICAL LOGIC SCHEMATIC



POSITION	CIRCUIT "MAKE"
1. OFF	NONE
2. RUN	B + I + A X + Y
3. START	B + I + S

KOHLER 26 HP EFI ELECTRICAL LOGIC SCHEMATIC



SERVICE RECORD

Date	Description of Work Done	Service Done By

NOTES

**SEE EXMARK'S COMPLETE
LINE OF PRODUCTS FOR TURF CARE**

LAZER Z[®]

LAZER Z[®] HP

LAZER Z[®] XP

TURF RANGER[®]

TURF TRACER[®]

TURF TRACER[®] HP

VIKING HYDRO

METRO[®]

METRO[®] HP

SELF STEERING SULKY

ULTRA VAC[™]

GRASS CATCHER

MICRO-MULCH[™] ACCESSORY

©1997,1998,1999, 2000, 2001
EXMARK MFG. CO. INC.
INDUSTRIAL PARK BOX 808
BEATRICE, NE 68310
ALL RIGHTS RESERVED

PART NO. 103-1781 Rev B.
(402) 223-6300
FAX (402) 223-5489

PRINTED IN U.S.A.

